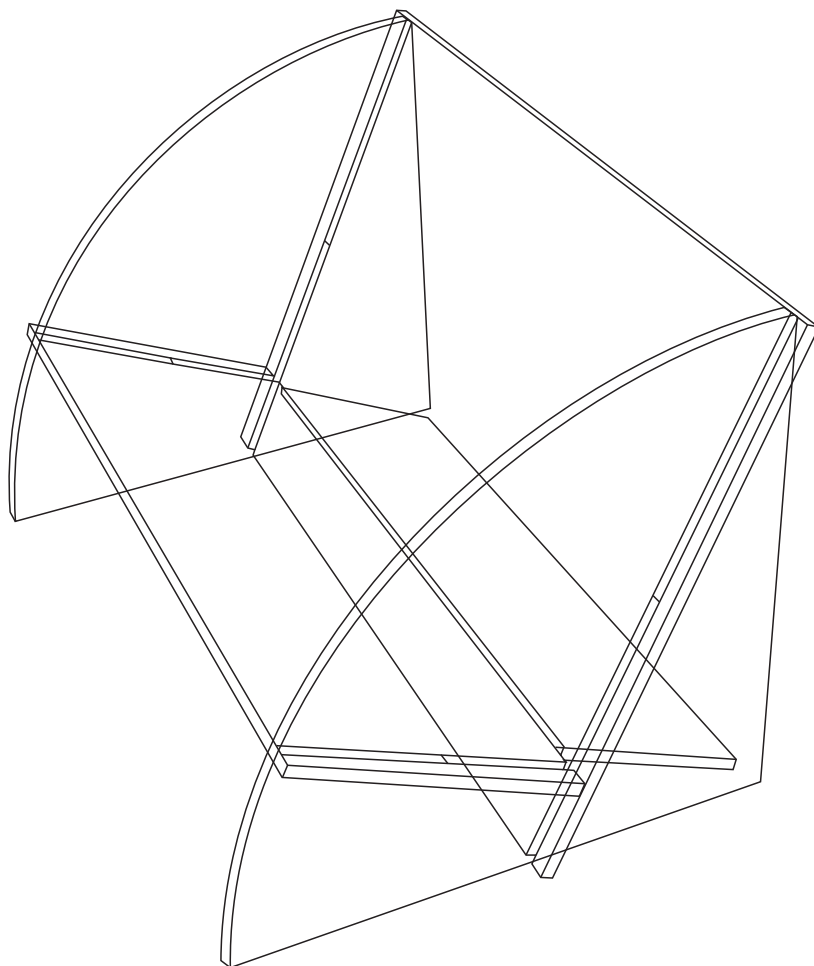


SECTION™

A TONY DAVIS DESIGN
FOR **VISIBLE OBJECT**

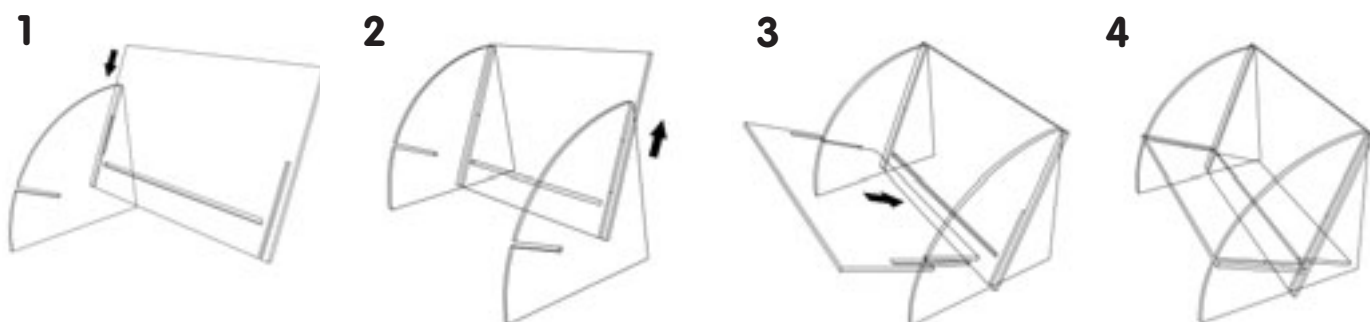
ACRYLIC SLOT-TOGETHER BOOKSHELF

DENE EDGE, LAUGHTON HILL,
STONESFIELD, OXFORDSHIRE
UNITED KINGDOM OX 29 8DY
t: +44 (0)1865 600926 WWW.VISIBLEOBJECT.UK



SECTION™

ACRYLIC SLOT-TOGETHER BOOKSHELF



4 pieces, 3 easy steps, 1 lovely design...wow!