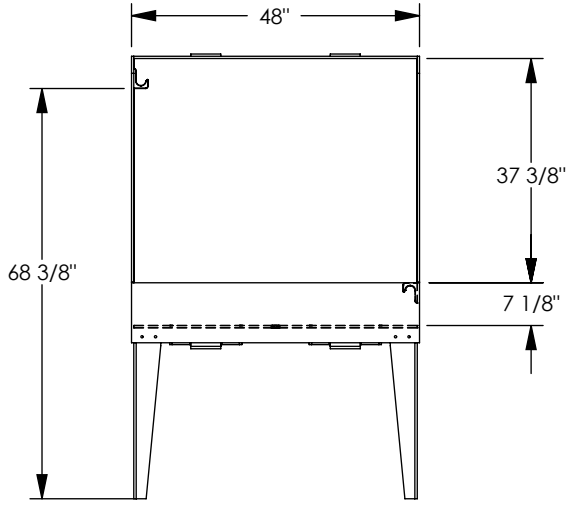
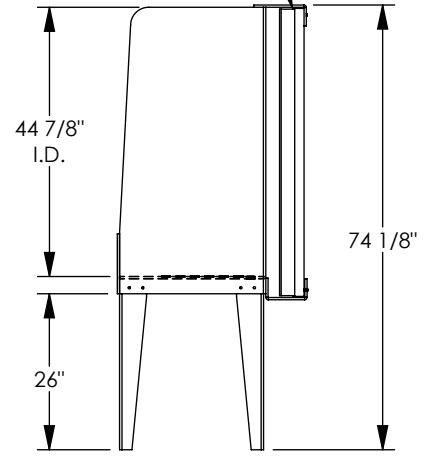


**TOP VIEW**

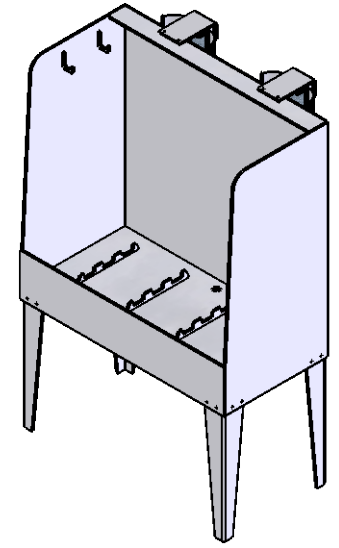


**FRONT VIEW**

Light fixture brackets  
and fixture included  
(bulbs are not included)



**RIGHT SIDE VIEW**



**BLACKLINE MFG / MTECH, INC.**

COMMENTS:

**PROPRIETARY AND CONFIDENTIAL**  
THE INFORMATION CONTAINED IN THIS DRAWING IS THE SOLE PROPERTY OF BLACKLINE MFG. / MTECH, INC. ANY REPRODUCTION IN PART OR AS A WHOLE WITHOUT THE WRITTEN PERMISSION OF BLACKLINE MFG. / MTECH, INC. IS PROHIBITED.

DIMENSIONS ARE IN INCHES  
TOLERANCES: ± 1/8"  
MATERIAL: Polypropylene  
FINISH: Natural / Semi-Transparent  
DO NOT SCALE DRAWING

NAME:	DATE:
DRAWN BY: rgardenhire	8/16/2016

**PART DESCRIPTION:**  
**WB48**

PART NUMBER: <b>WB48</b>	REV.
SCALE: 1:32	WEIGHT:
SHEET 1 OF 1	