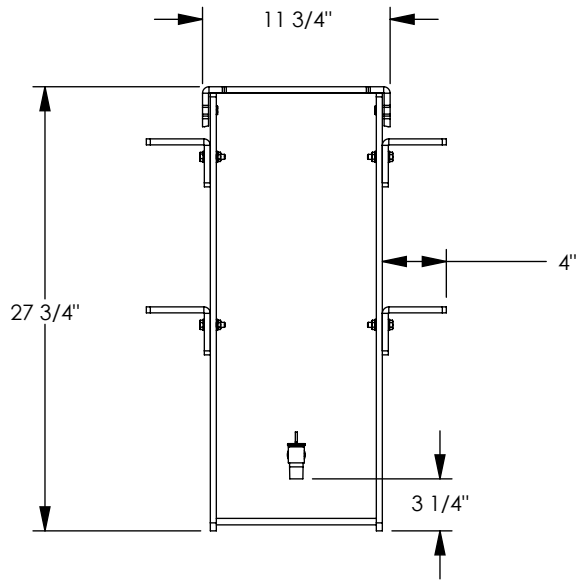
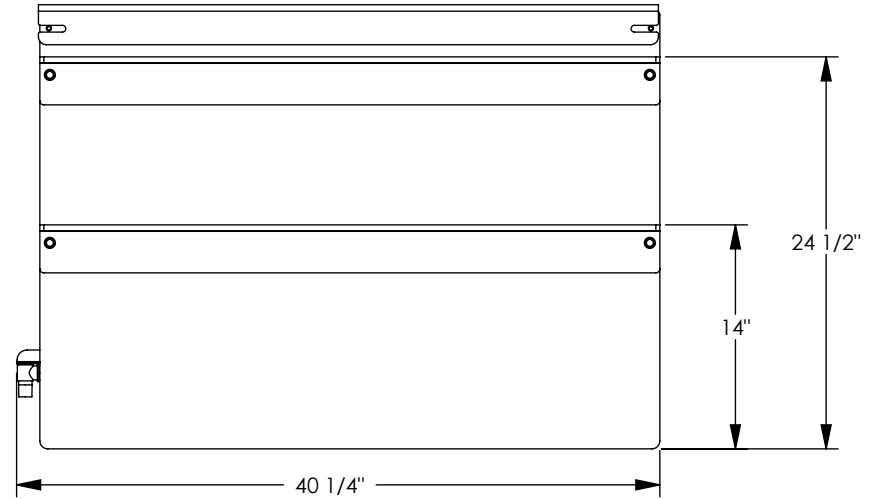


TOP VIEW



LEFT SIDE VIEW



FRONT VIEW

BLACKLINE MFG / MTECH, INC.

COMMENTS:

PROPRIETARY AND CONFIDENTIAL
 THE INFORMATION CONTAINED IN THIS DRAWING IS THE SOLE PROPERTY OF BLACKLINE MFG. / MTECH, INC. ANY REPRODUCTION IN PART OR AS A WHOLE WITHOUT THE WRITTEN PERMISSION OF BLACKLINE MFG. / MTECH, INC. IS PROHIBITED.

DIMENSIONS ARE IN INCHES
 TOLERANCES: $\pm 1/8"$
 MATERIAL: COPLOYMER
 FINISH: BLACK
 DO NOT SCALE DRAWING

NAME:	DATE:
DRAWN BY: rgardenhire	8/16/2016

PART DESCRIPTION:
LARGE DIP TANK

PART NUMBER: LARGE DIP TANK	REV.
SCALE:1:12	WEIGHT:
SHEET 1 OF 1	