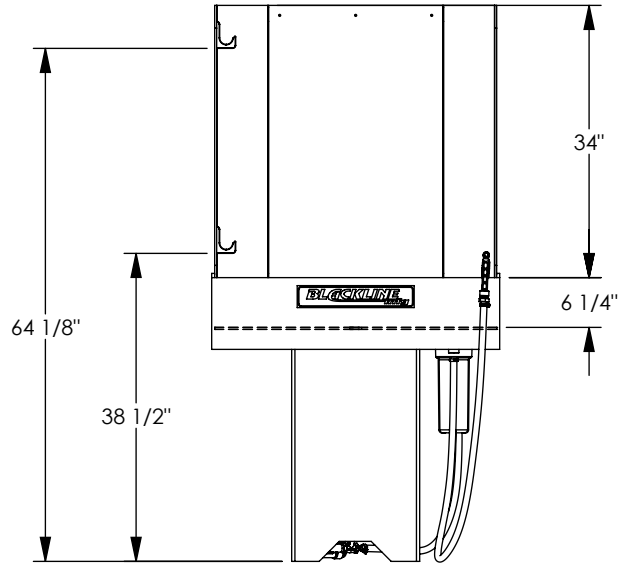
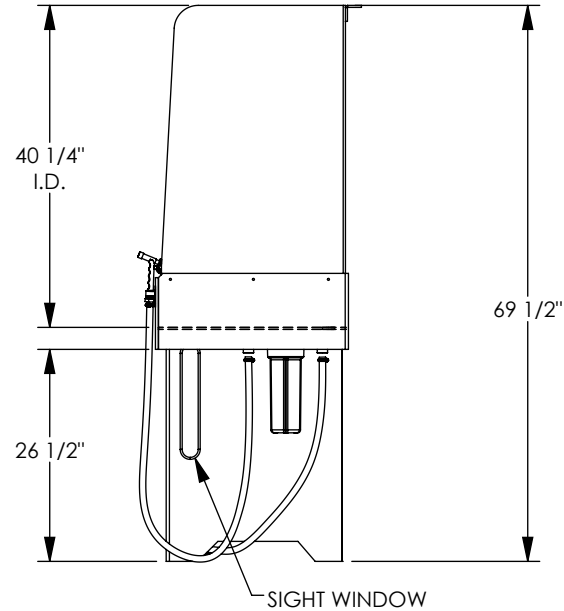


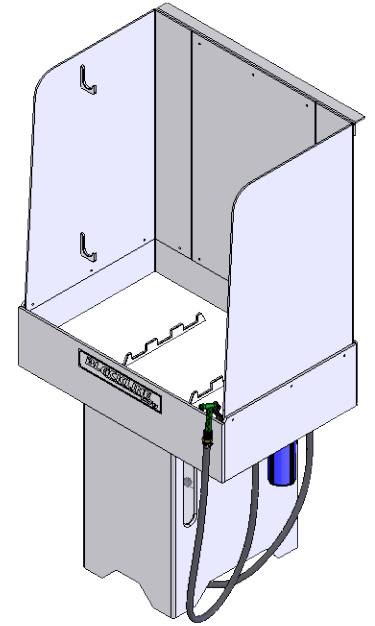
TOP VIEW



FRONT VIEW



RIGHT SIDE VIEW



BLACKLINE MFG / MTECH, INC.

COMMENTS:

PROPRIETARY AND CONFIDENTIAL
 THE INFORMATION CONTAINED IN THIS DRAWING IS THE SOLE PROPERTY OF BLACKLINE MFG. / MTECH, INC. ANY REPRODUCTION IN PART OR AS A WHOLE WITHOUT THE WRITTEN PERMISSION OF BLACKLINE MFG. / MTECH, INC. IS PROHIBITED.

DIMENSIONS ARE IN INCHES
 TOLERANCES: $\pm 1/8"$
 MATERIAL: COPOLYMER
 FINISH: WHITE
 DO NOT SCALE DRAWING

NAME:	DATE:
DRAWN BY: rgardenhire	8/16/2016

PART DESCRIPTION:
D2 WASHOUT BOOTH

PART NUMBER: D2	REV.
SCALE: 1:24	WEIGHT:
SHEET 1 OF 1	