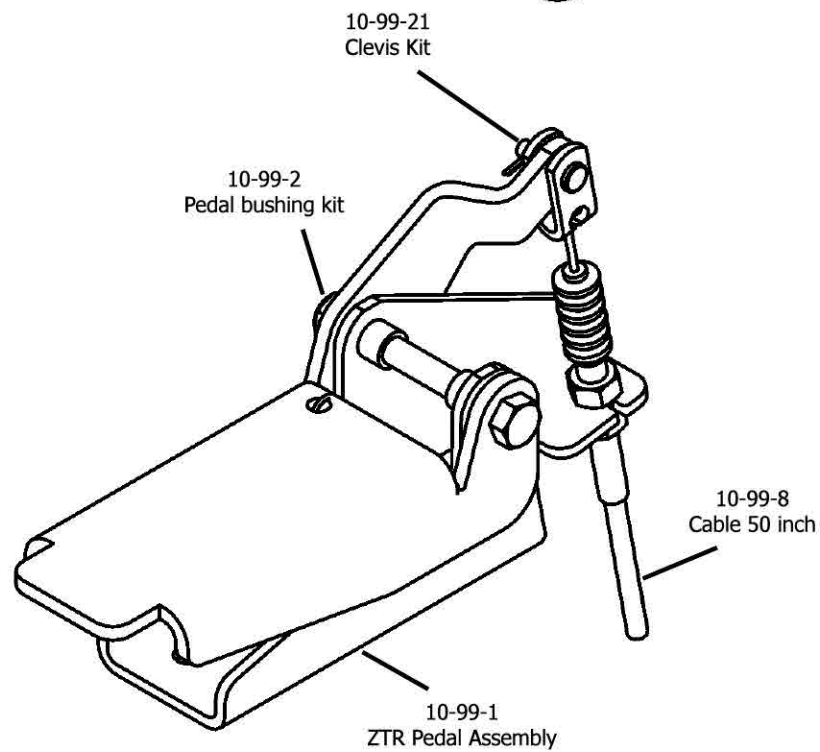
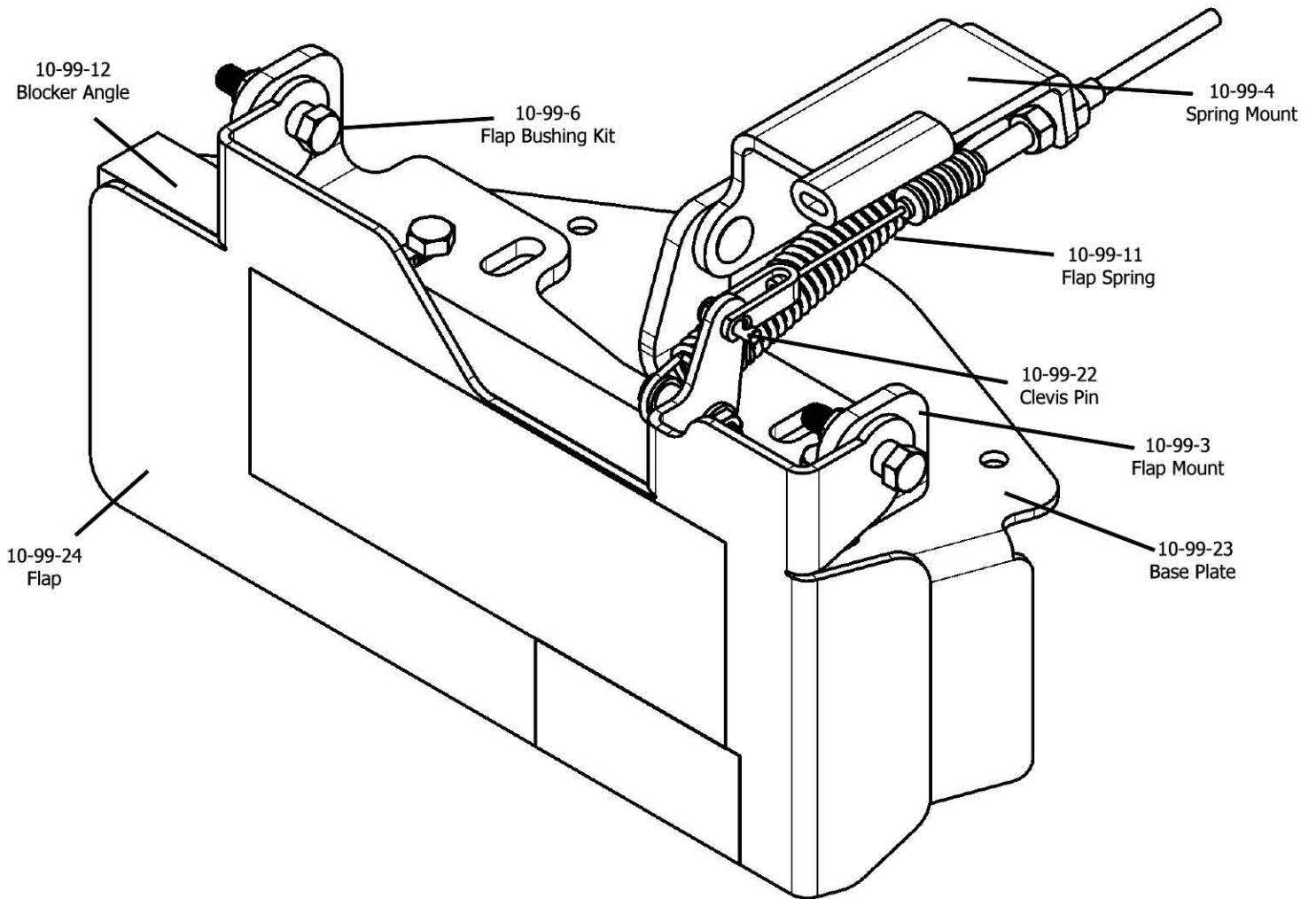


# RAPTOR GRASSFLAP



# Cable installation,

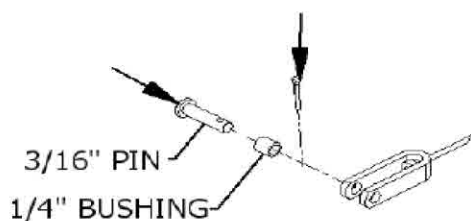
**WARNING:** Proper cable installation and maintenance is critical to life of cable.

**Improper cable routing will cause failure, usually within the first month of use.**

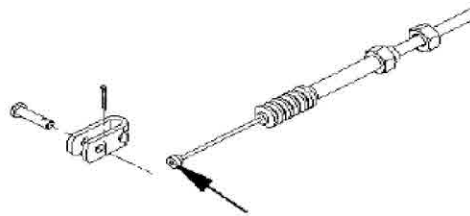
**RIDER INSTALLATION RECOMMENDATION:** Start at the flap, run the cable straight toward the left side of the mower as far as possible then make a sweeping turn toward the front of the mower and up to connect with the pedal. Loosely hang the cable to keep it out of the belts. Check for binding with the deck full up and set to all mowing heights.

**WALK-BEHIND INSTALLATION RECOMMENDATION:** Start at the flap, run the cable straight toward the left side of the mower as far as possible then make a sweeping turn toward the rear of the mower to connect with the pedal. Avoid the muffler. Loosely hang the cable to keep it out of the belts. Check for binding with the deck full up and set to all mowing heights.

**STAND-ON INSTALLATION RECOMMENDATION:** Start at the flap, run the cable straight toward the left side of the mower as far as possible then make a sweeping turn toward the rear of the mower. Route the cable past the belts to the foot deck. It may be necessary to drill holes for the cable to pass through. On Flip-up foot decks pay particular attention when setting foot deck to the travel position to avoid damaging the cable.



**Flap End Cable Connection**



**Pedal End Cable Connection**

Areas to pay particular attention to are:

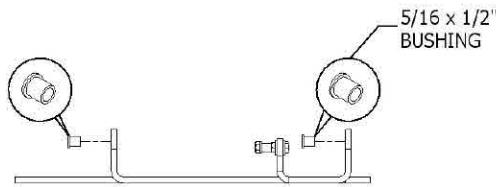
1. The transition point from the rigid threaded end to the flexible portion of the cable, especially at the pedal end. Make certain the cable is not in a bind when the deck is raised either manually or when mowing.
2. The point where cable is tied to keep it out of the belts, leave enough slack for the deck to raise and lower without straining the cable.
3. Where the cable first routes under the deck from the flap, sometimes it can get in a bind as the deck is raised and lowered.
4. Also be sure the cable is not deflected either while in use or when trailering.
5. Proper bend radius is the key to long life, a 6 inch radius is recommended for all bends.

## MAINTAINING THE CABLE

1. Be sure the rubber boots are in place to keep dirt and water out of cable.
2. It is recommended a small amount of Dri-lub be periodically applied to the cable behind the boot.

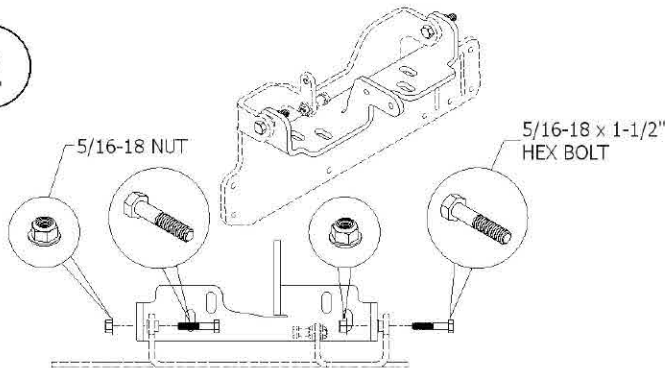
# HUSTLER RAPTOR GRASSFLAP INSTALLATION

1



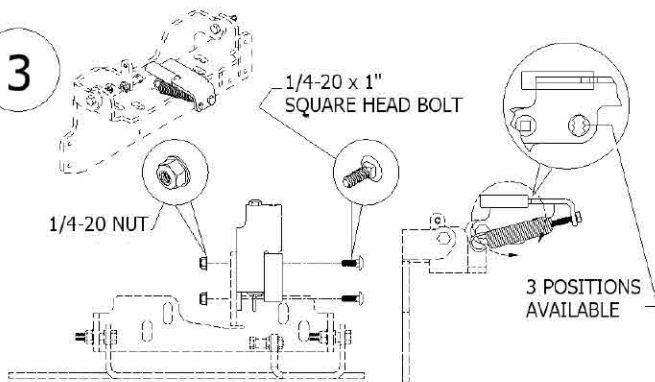
INSERT BUSHINGS.

2



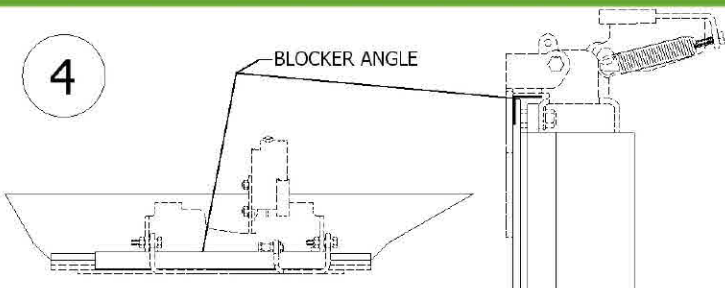
INSERT BOLT TO CONNECT HINGE PLATE TO FLAP MOUNT.

3



ASSEMBLE SPRING MOUNT TO FLAP MOUNT. MIDDLE BOLT POSITION RECOMMENDED.

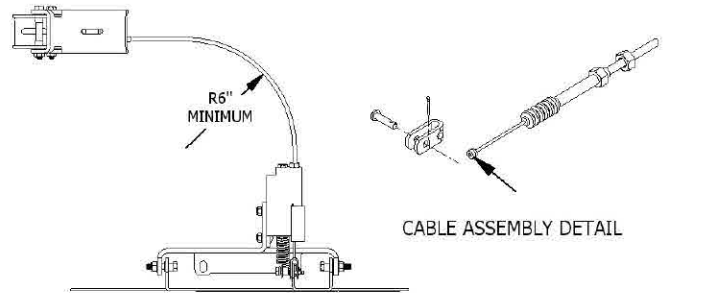
4



POSITION DEFLECTOR ANGLE AT TOP EDGE OF FLAP AND CENTER ON FLAP FRONT TO BACK, TAPE LEG DOWN. NOTCH HORIZONTAL LEG AS NEEDED TO CLEAR ANY OBSTRUCTIONS. ATTACH FLAP SPRING. HINT: USE A BOX END WRENCH TO HOOK SPRING AND PULL IT OVER THE BOLT.

5

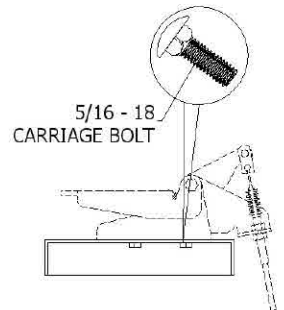
LOCATE PEDAL ON FOOT DECK, MARK AND DRILL A HOLE FOR THE CABLE TO PASS THROUGH. RUN CABLE THROUGH CLEARANCE HOLE AND CONNECT CABLE TO PEDAL.



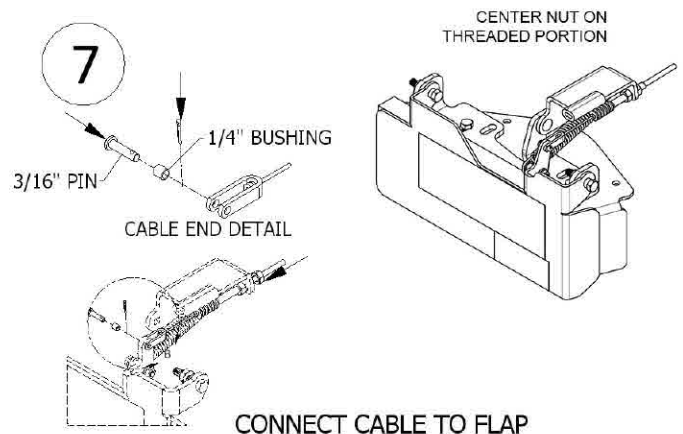
**CABLE ROUTING:** MINIMUM BEND RADIUS ON CABLE IS 6 INCHES. SMALLER BENDS WILL CAUSE PREMATURE FAILURE OF CABLE.

6

LOCATE PEDAL AND MARK HOLES. DRILL HOLES AND MOUNT PEDAL.



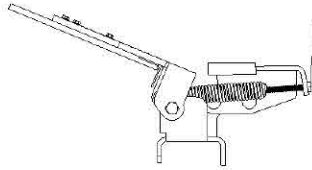
7



CONNECT CABLE TO FLAP

# HUSTLER RAPTOR GRASSFLAP INSTALLATION

8

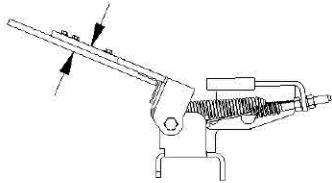


ROTATE COUNTERCLOCKWISE TO DECREASE TENSION AND MAKE FLAP EASIER TO CLOSE. INCREASE TENSION TO MAKE FLAP EASIER TO OPEN.

## SPRING ADJUSTMENT:

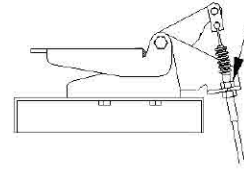
1. MANUALLY OPEN FLAP TO BALANCE POINT AS SHOWN.
2. PUSH PEDAL FULL DOWN AND RELEASE, FLAP SHOULD JUST FALL CLOSED.
3. IF IT DOES NOT FALL REDUCE THE SPRING TENSION, IF IT FALLS HARD THEN INCREASE TENSION.

9



PEDAL OPERATION: PUSH PEDAL AND RELEASE TO CYCLE FLAP FROM CLOSED TO OPEN OR OPEN TO CLOSED. PEDAL FULL DOWN WILL HOLD FLAP IN MID POSITION. LESS PRESSURE IS USUALLY BETTER FOR SMOOTH OPERATION.

10



THE PEDAL SHOULD BE ADJUSTED SO IT BOTTOMS OUT BEFORE FULL TENSION IS APPLIED TO THE CABLE. USE THE ADJUSTMENT NUTS AT EITHER END OF THE CABLE TO ADJUST THE PEDAL HEIGHT. KEEP THE THREADED LENGTH EQUAL ON BOTH ENDS THE CABLE.

## CONTACT INFO

502-594-3546

david@grassflap.com

Instruction videos available online at  
[www.youtube.com/user/GrassFlap](http://www.youtube.com/user/GrassFlap)  
and at [grassflap.com](http://grassflap.com)



