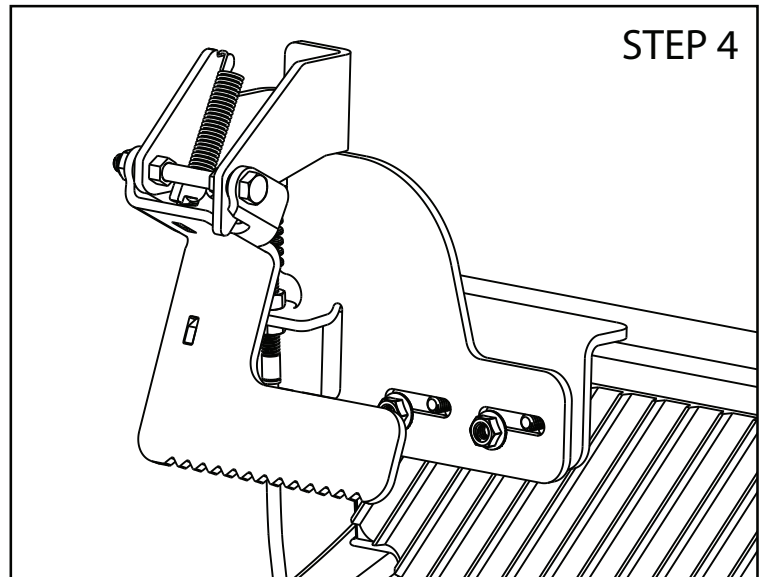
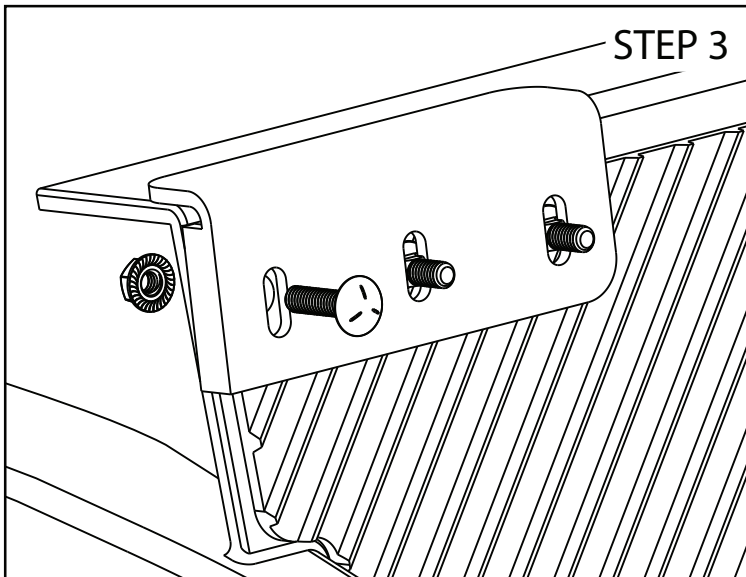
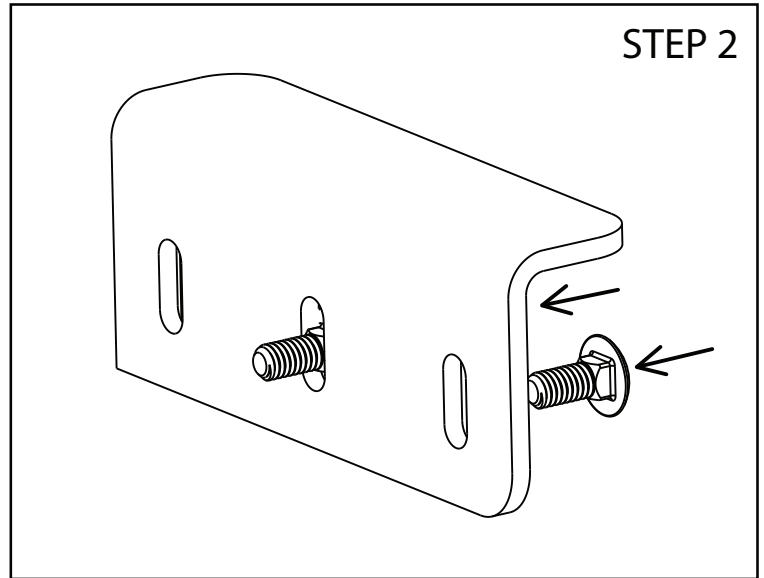
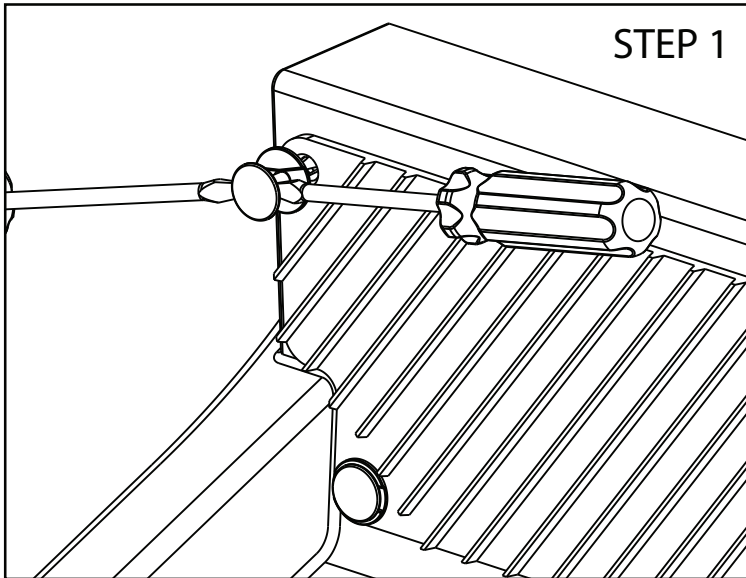


11-82-54 Pedal Mount 1226 Instructions

1. Remove push-lock mat fastener
2. Place two 5/16 x 3/4 carriage bolts into mount as shown
3. Position pedal mount on floor pan, install 5/16 x 1-1/4 carriage bolt and secure with nut
4. Position pedal on mount and install locking nuts



Grass

grassflap.com

Flap

(502) 594-3546 | David@GrassFlap.com

rev nov2023