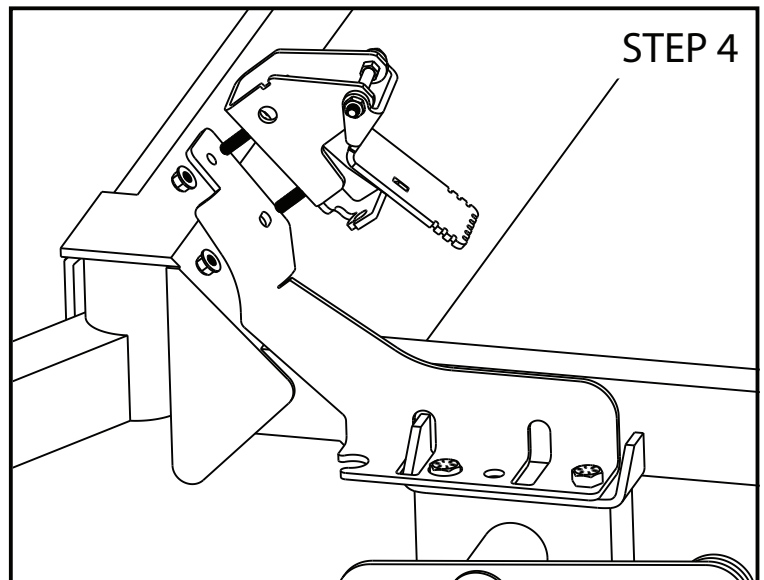
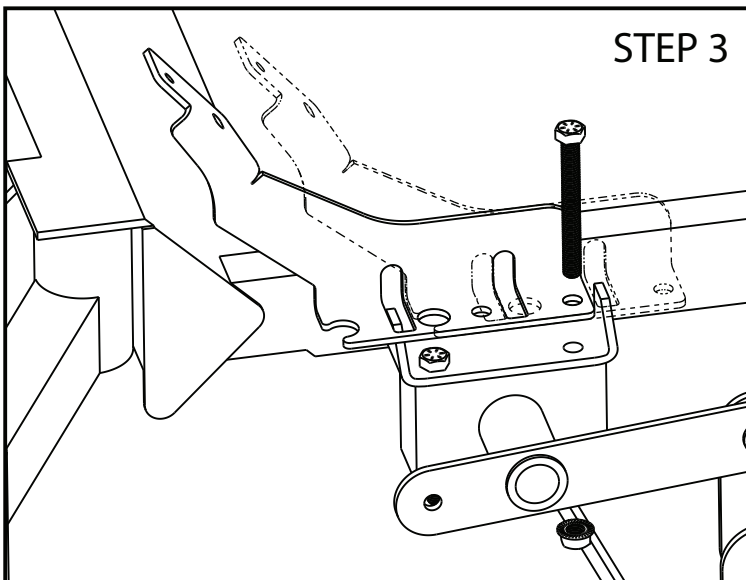
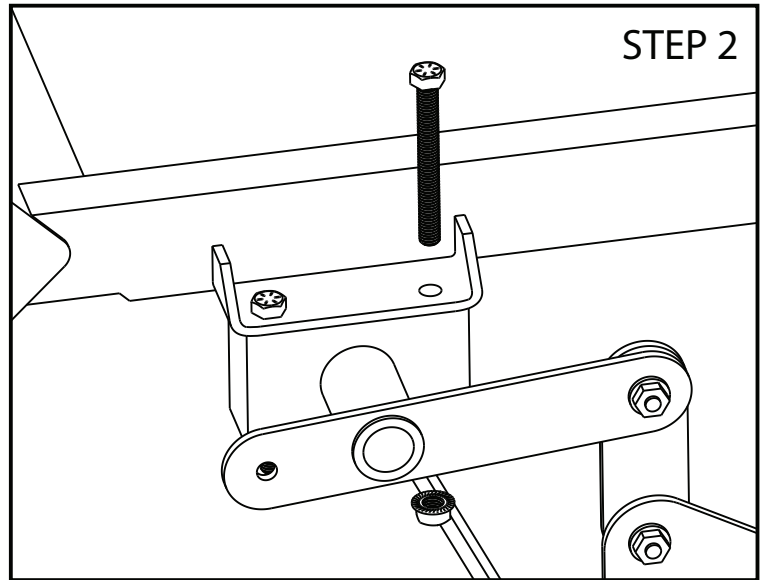
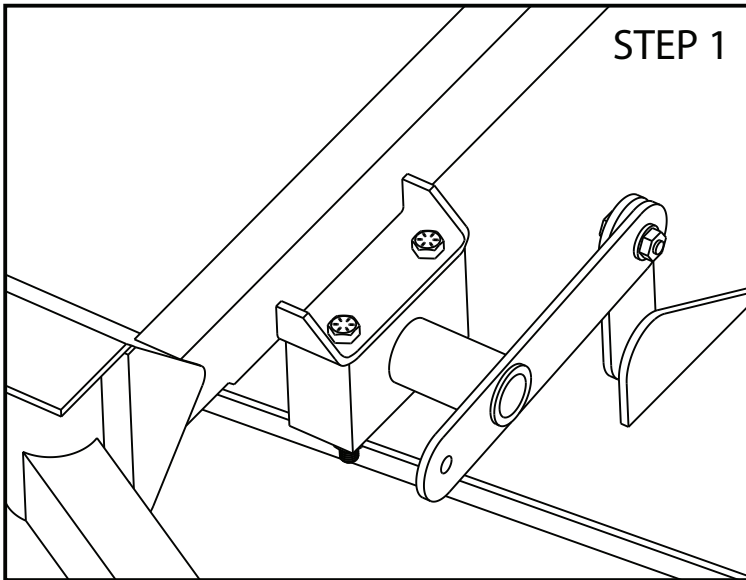


11-82-52 Pedal Mount 1225 Instructions

1. Mount pedal mount 1225 on the deck lift bearing on left side of the foot platform while sitting on the mower.
2. Remove rear bolt holding bearing, set aside.
3. Place pedal mount 1225 on bearing mount and install 1/2-13 x 4-1/2" bolt provided.
NOTE: The position of the mount should match the position of the adjustable foot stop.
(Alternate pedal mount position shown.)
4. Mount pedal to pedal mount 1225 using 5/16-18 x 1 bolt as shown.



Grass

grassflap.com

Flap

(502) 594-3546 | David@GrassFlap.com

rev feb2024