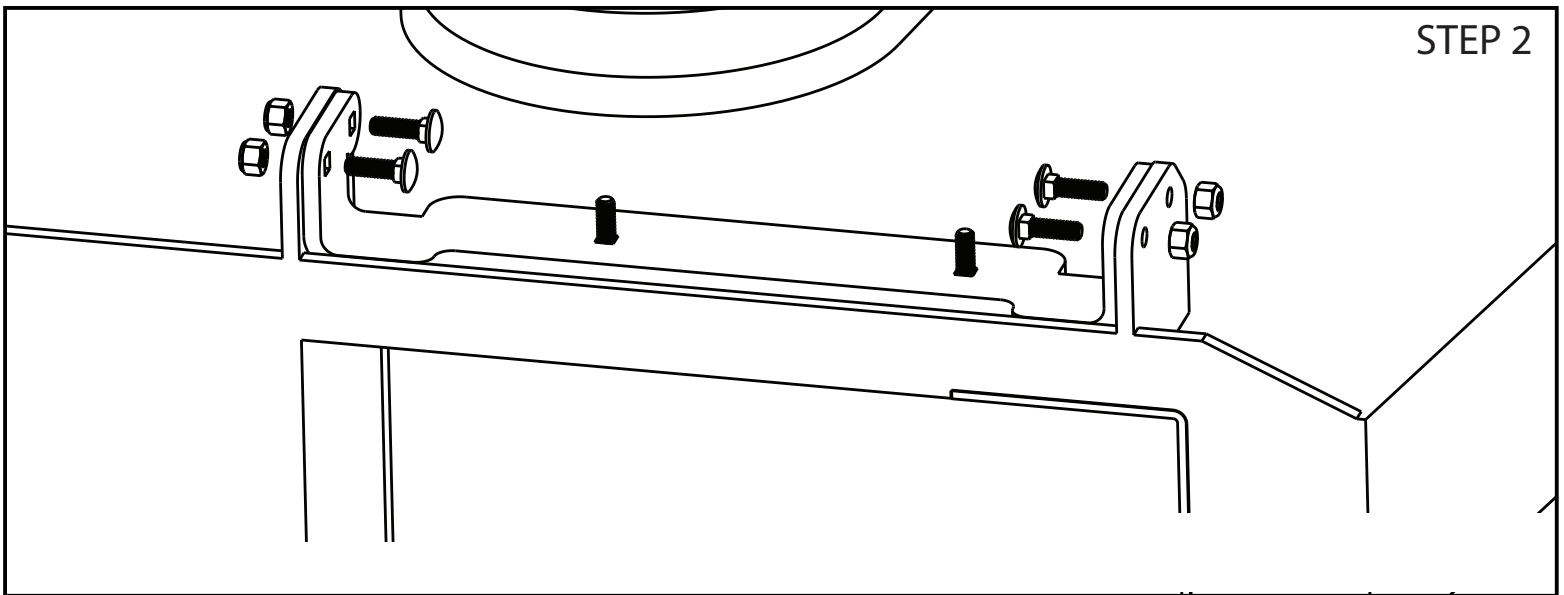
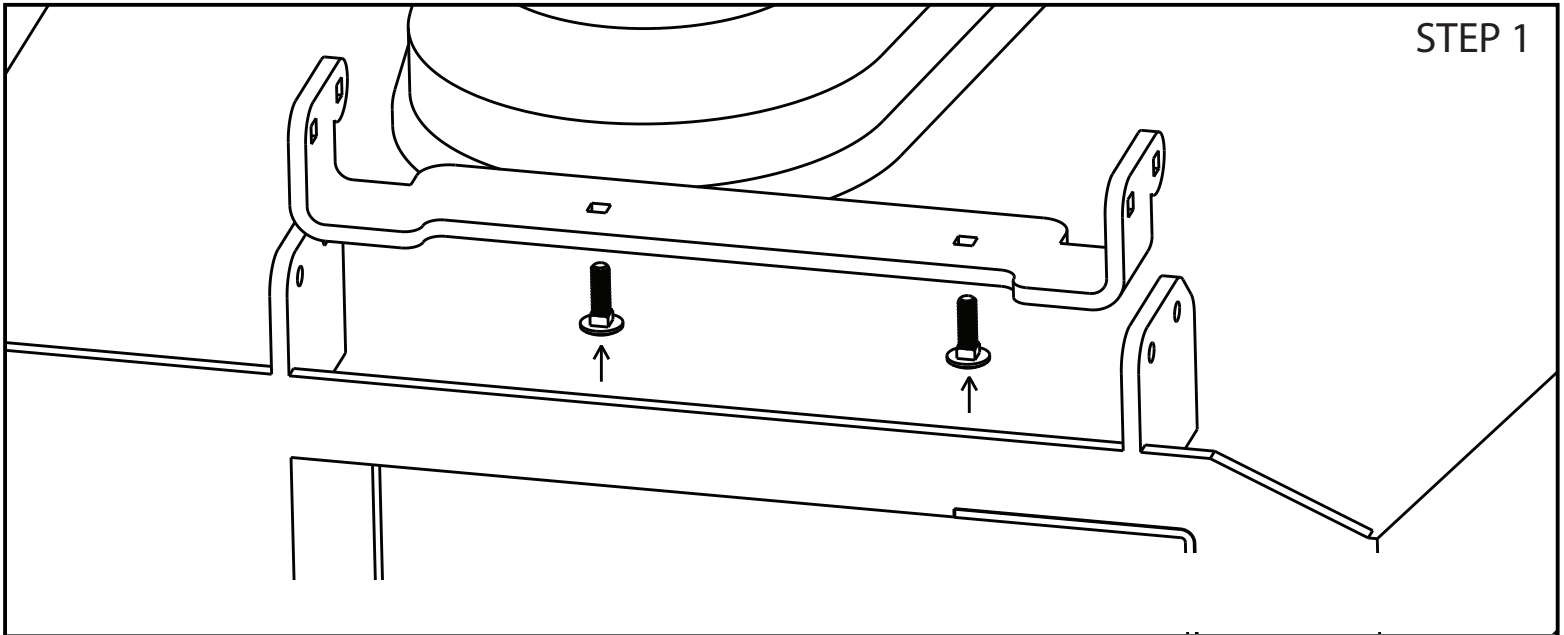


# 11-82-51 No-Drill Mount 1224 Assembly Instructions

1. Place 3/8-16 x 1" carriage bolts from underside of mount prior to installing to deck.
2. Install mount using 3/8-16 x 1" carriage bolts with heads to inside of tabs and secure with nuts.
3. Complete installation following instructions included with GrassFlap (omit step 4)



# Grass

[grassflap.com](http://grassflap.com)

# Flap

(502) 594-3546 [David@GrassFlap.com](mailto:David@GrassFlap.com)

rev sept2023