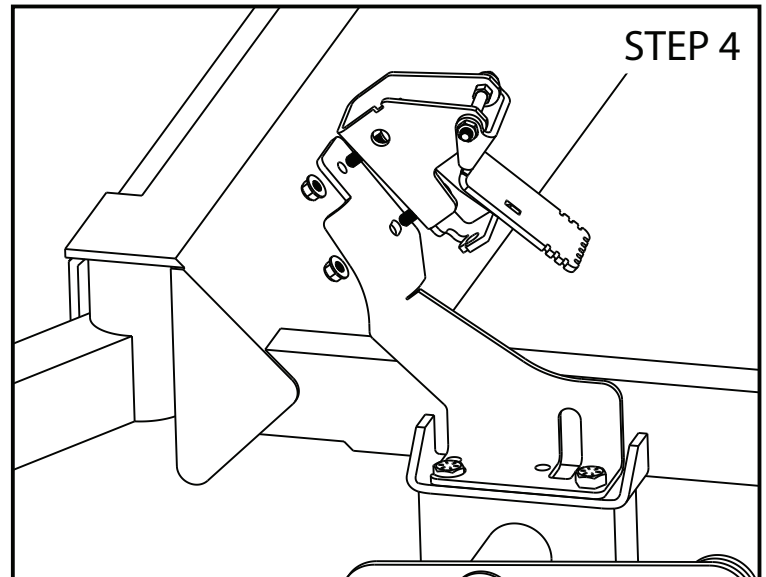
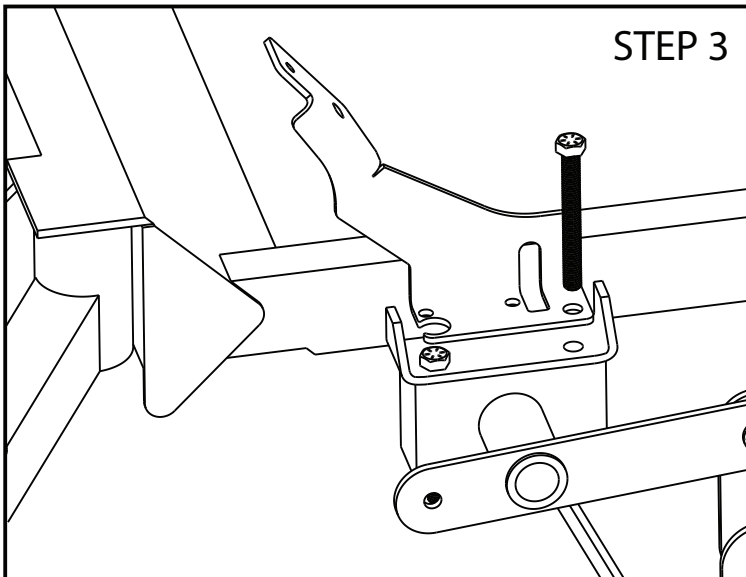
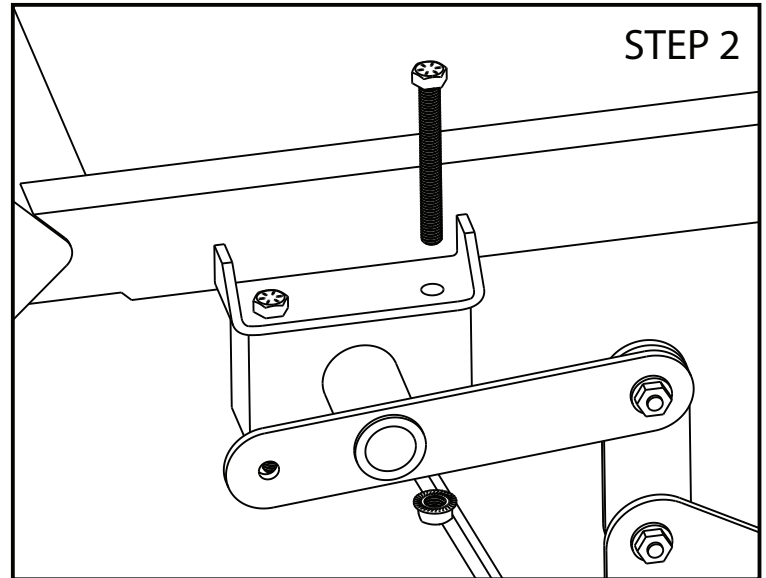
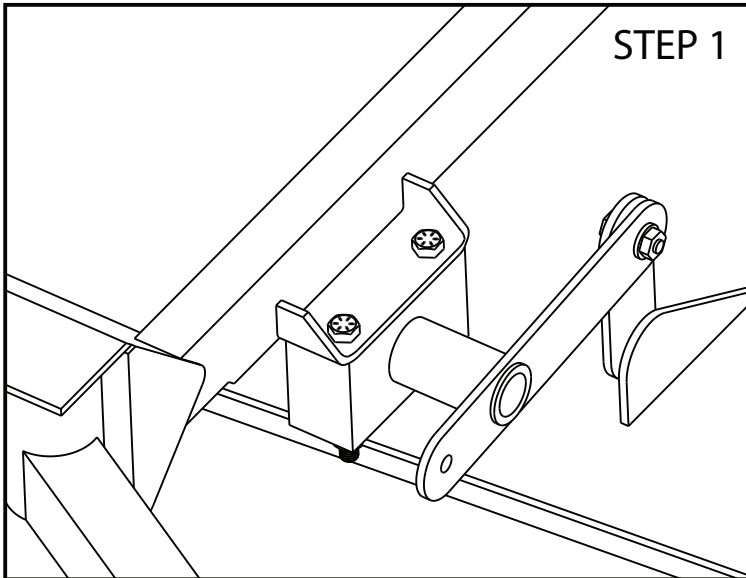


# 11-82-46 Pedal Mount 1212 Instructions

1. Mount pedal mount 1212 on the deck lift bearing on left side of the foot platform while sitting on the mower.
2. Remove rear bolt holding bearing, set aside.
3. Place pedal mount 1212 on bearing mount and reinstall bolt removed in step 2.
4. Mount pedal to pedal mount 1212 using two 5/16-18 x 1 bolts as shown.



**Grass**

grassflap.com

**Flap**

(502) 594-3546 | David@GrassFlap.com

rev feb2024