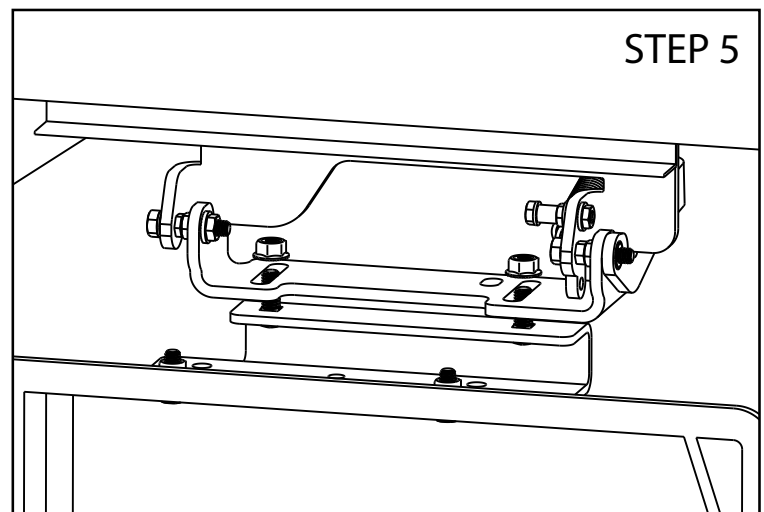
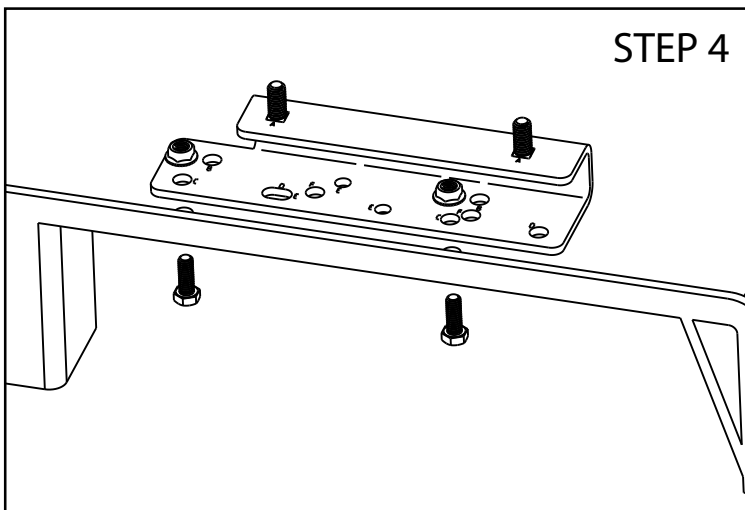
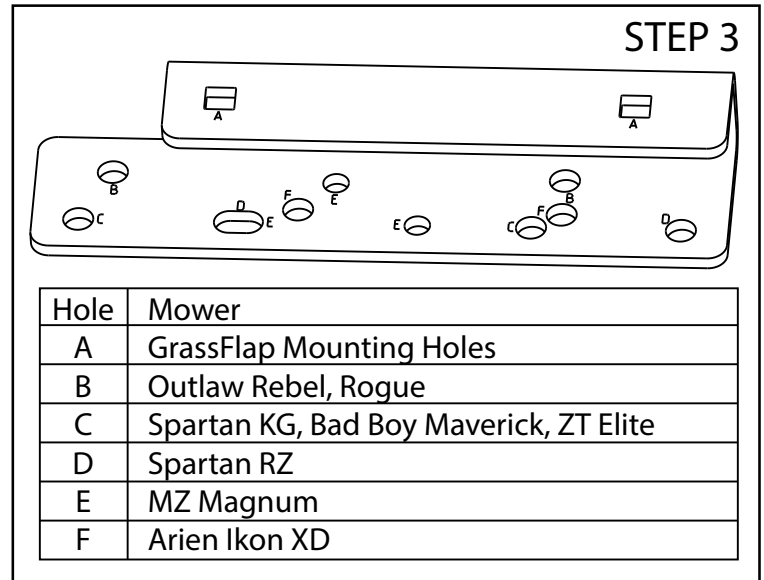
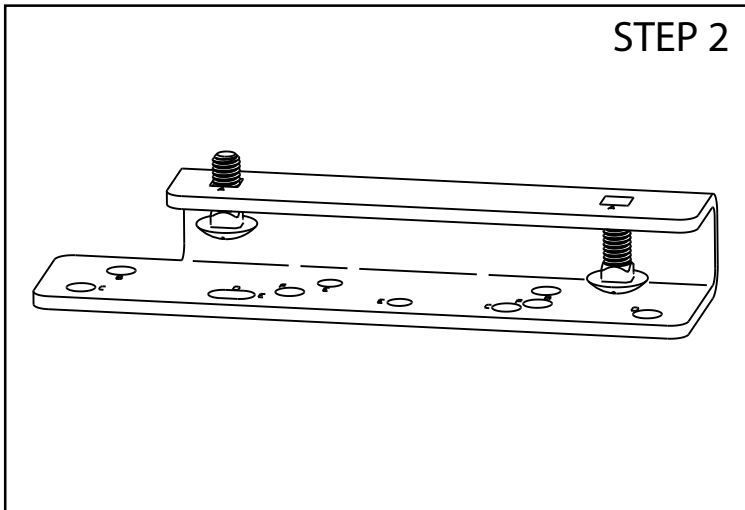


# 11-82-45 No-Drill Mount 1209 Instructions

1. Remove mount for factory chute
2. Place 3/8-16 X 1 carriage bolts in square holes (A) on no-drill mount up from the bottom.
3. Locate hole on no-drill mount for the mower being installed on
4. Position mount on deck and install 1" hex bolts provided (3/8 or 5/16 based on your mower) from the bottom up.
5. Mount GrassFlap on deck, nut on top.
6. Complete installation following instructions included with GrassFlap (omit steps 4-5).



**Grass**

grassflap.com

**Flap**

(502) 594-3546 | David@GrassFlap.com

rev oct2023