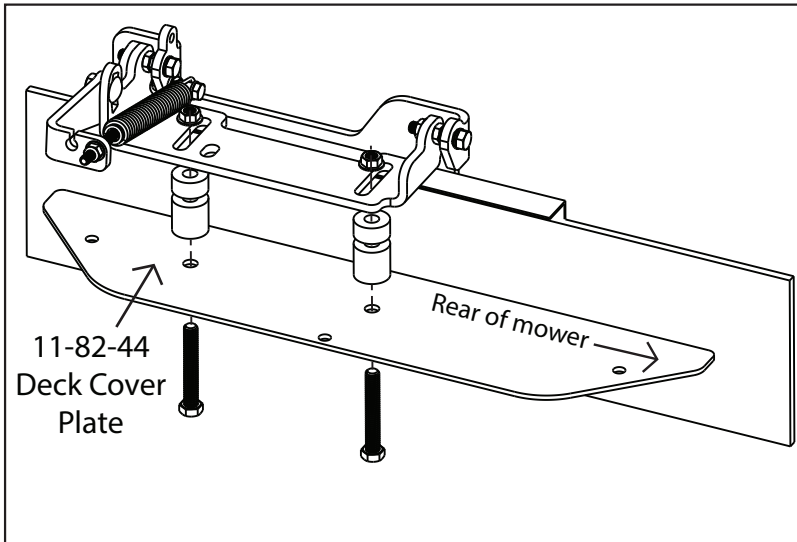
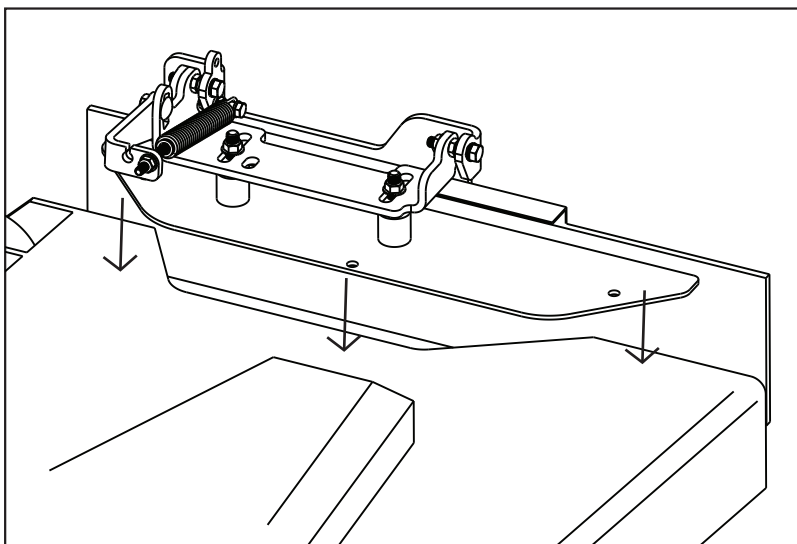


11-82-44 Deck Cover Plate for Gravely X-Factor Deck



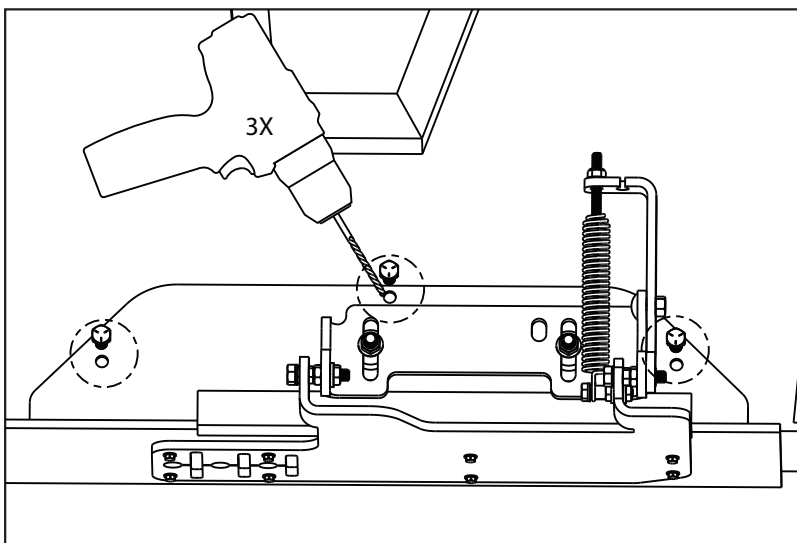
1. Attach flap assembly to deck cover plate using (4) spacers with 1-1/2" of spacers on each side and (2) 3/8-16 x 2-1/2" hex bolts. Long end of cover plate should be towards rear of mower, as shown.

2. Position flap assembly and cover plate on deck, align front corner of deck cover plate with front corner of discharge opening. Verify rear of cover plate does not overhang back of deck.



3. Mark location for mounting bolts, center punch and drill holes for 5/16 bolt.
NOTE: Holes on deck plate will not line up with existing holes on mower.

4. Secure mounting plate to deck using (4) 5/16-18 x 3/4" hex bolts.



Grass

grassflap.com

Flap

(502) 594-3546 | David@GrassFlap.com