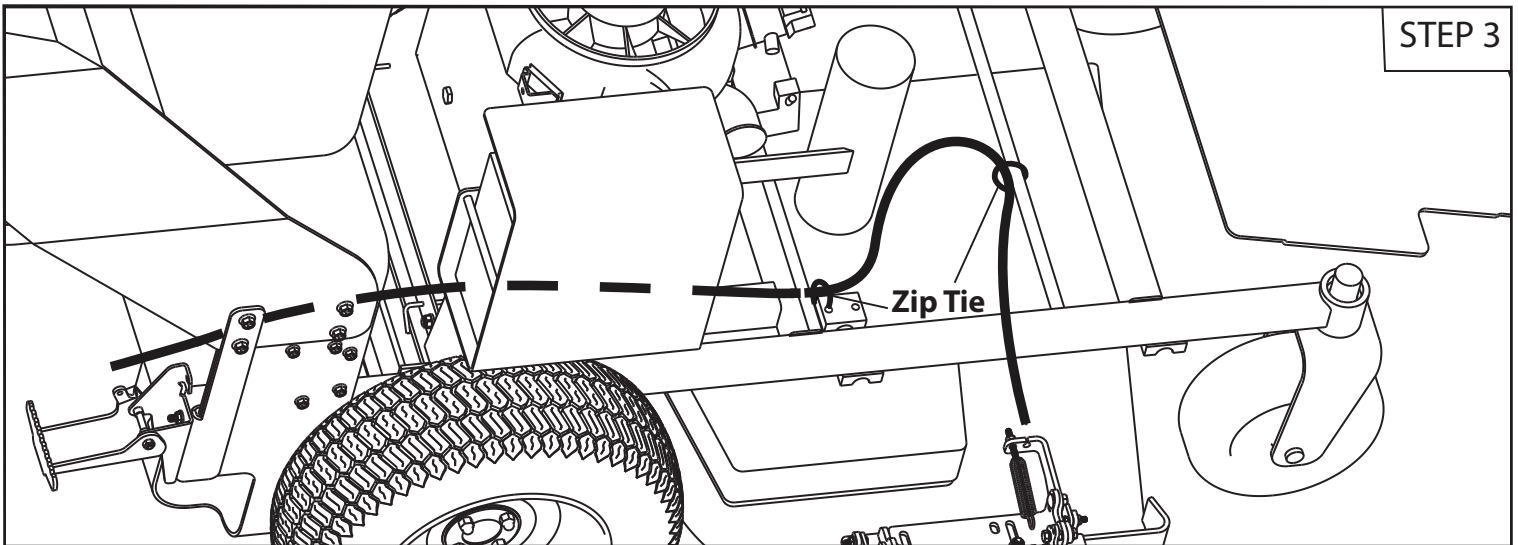
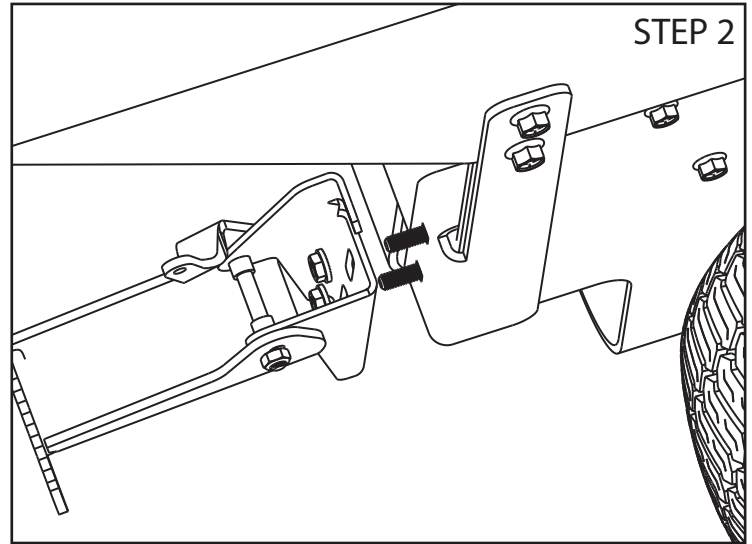
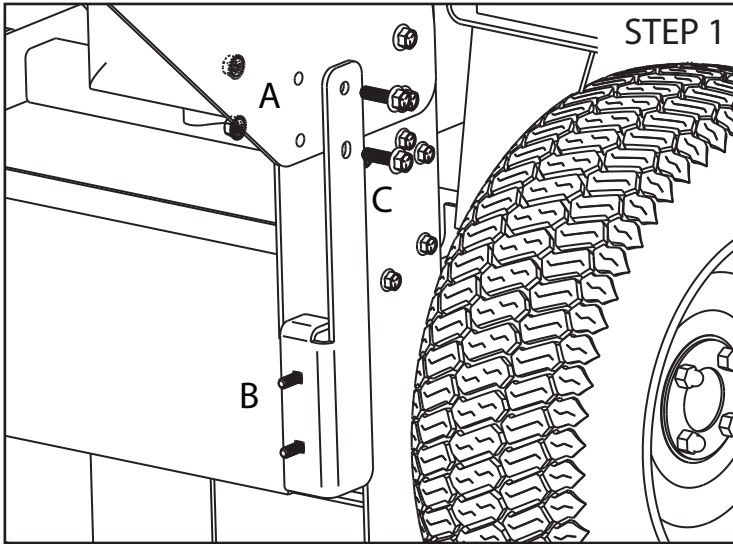


11-82-43 SWZT Pedal Mount Right Mounted

1. A) Loosen two existing bolts at the rear of the mower.
1. B) Place two 5/16-18 x 1 carriage bolts into the square holes on pedal mount.
1. C) Attach the pedal mount to the mower using the two bolts removed from the mower.
2. Slide pedal over bolts on pedal mount. Tighten 5/16 flange nuts.
NOTE: The top nut is easier to reach with an extension on the socket.
3. Remove deck cover and route cable as shown, going under deck height adjustment bar. Loosely attach zip ties in locations shown after cable is connected.



For video showing
how to install SWZT
pedal mount scan
using phone camera.



Grass

grassflap.com

Flap