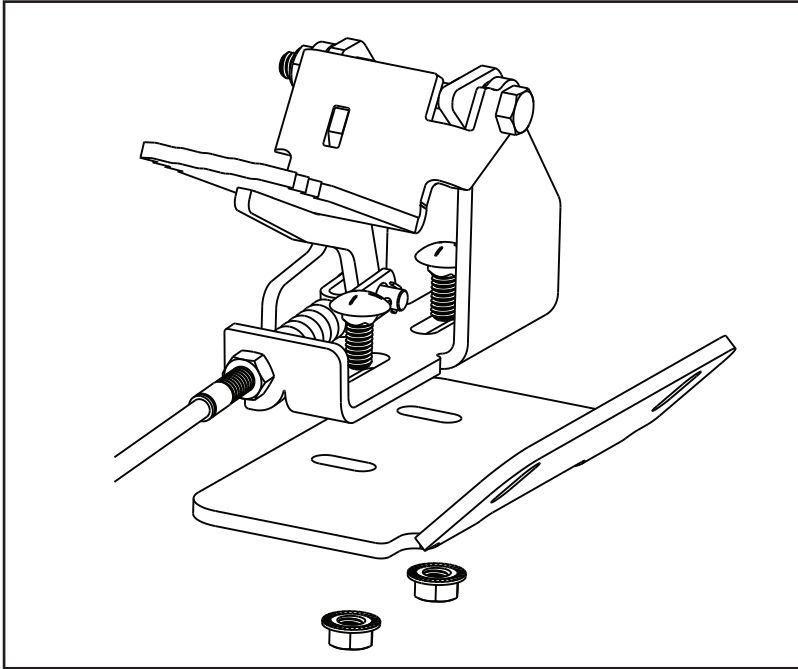
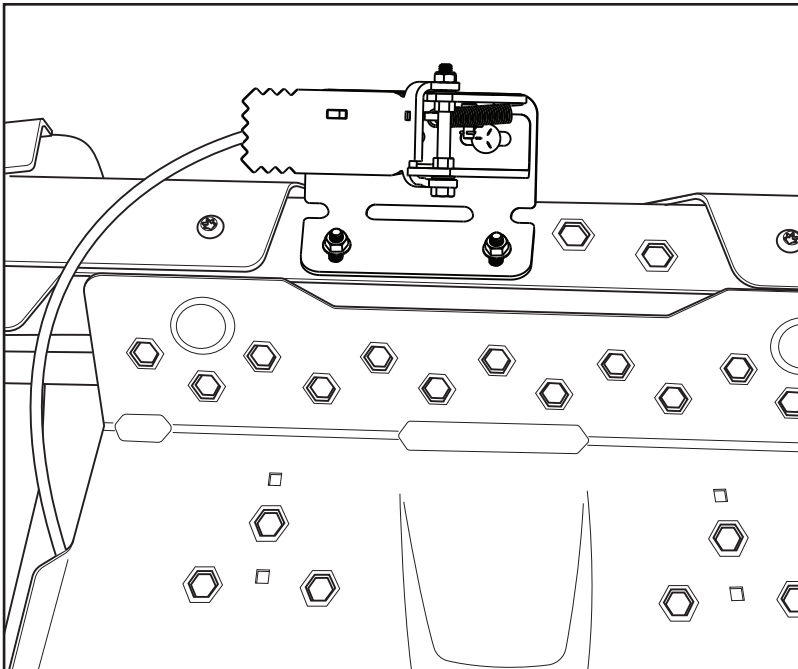


11-82-41 Pedal Mount Plate 1177 Assembly Instructions



1. Mount pedal to pedal mounting plate 1177 using 5/16-18 x 1 carriage bolts as shown.
2. Mount pedal mounting plate 1177 and pedal assembly to foot platform as shown using 5/16-18 x 1 flange head bolts.

NOTE: Depending on your mower it may be necessary to drill mounting holes for attaching the assembly.



Grass

grassflap.com

Flap

(502) 594-3546 | David@GrassFlap.com