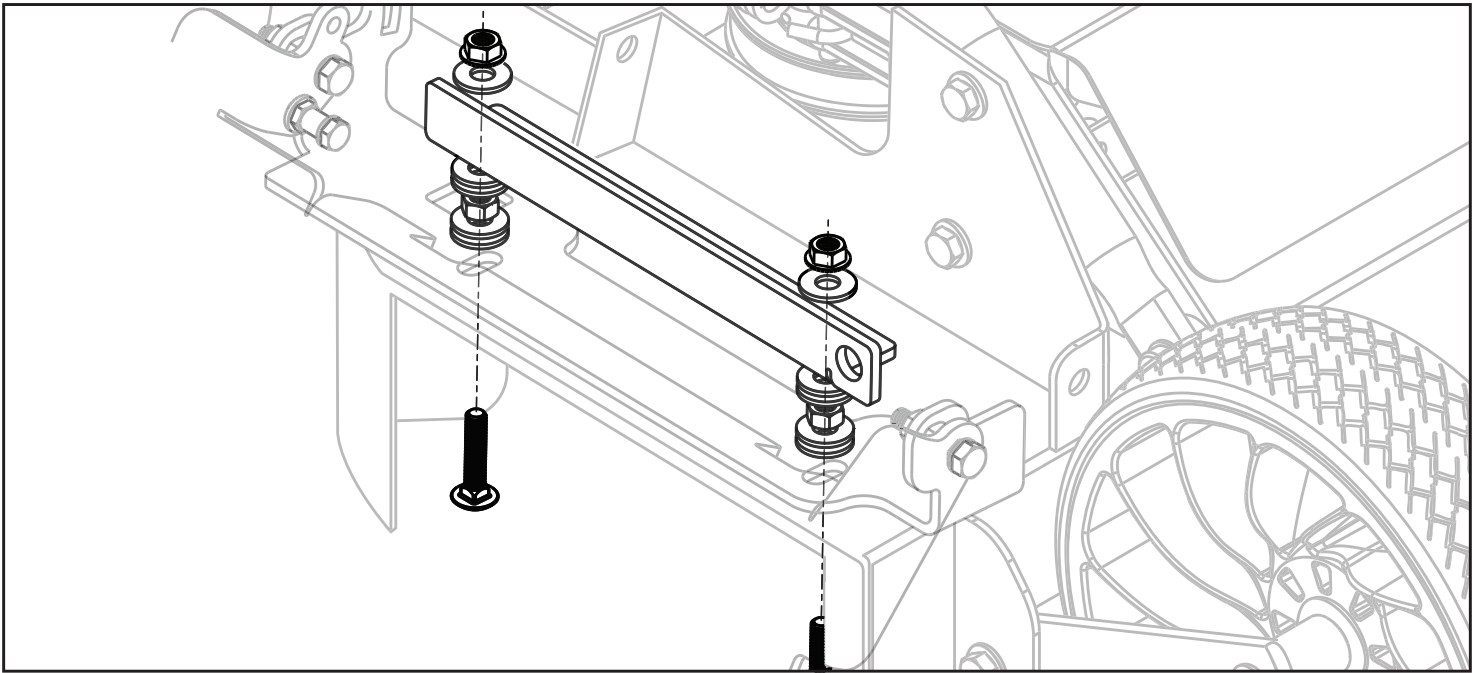


11-82-38 Bagger Mount 1168

- 1) Remove factory discharge chute.
- 2) Position flap assembly so holes in flap mount line up with holes on deck.
- 3) Place two 5/16-18 x 1-1/2 carriage bolts up from under deck through flap mount.
- 4) Stack two 5/16 washers on each bolt followed by 5/16 nut provided.
- 5) Hold blocker plate flap against discharge opening as you tighten nuts.
- 6) Stack two 5/16 washers on top of each nut followed by bagger mount.
- 7) Secure bagger mount with additional 5/16 washer followed by 5/16 flange nut.



Grass

grassflap.com

Flap