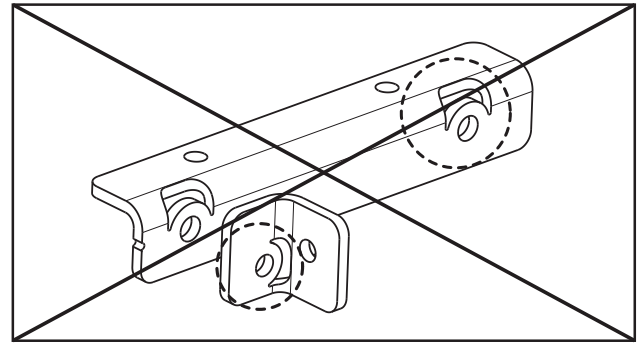
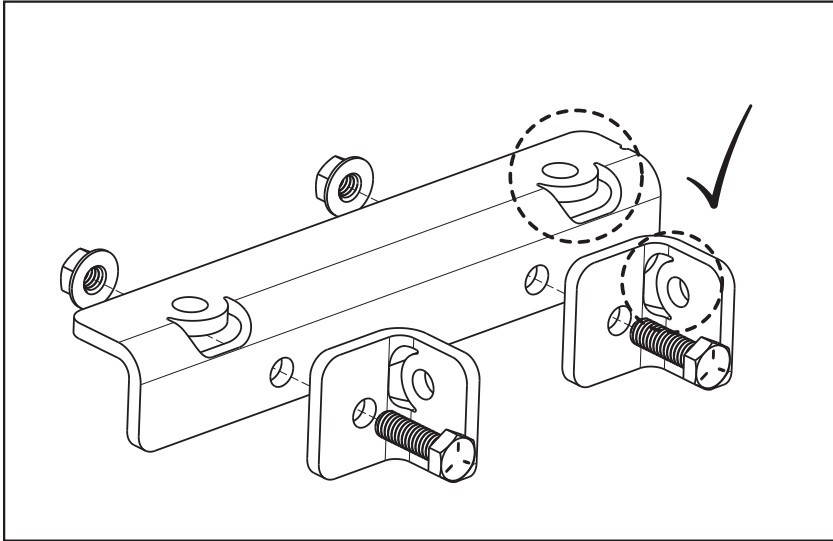
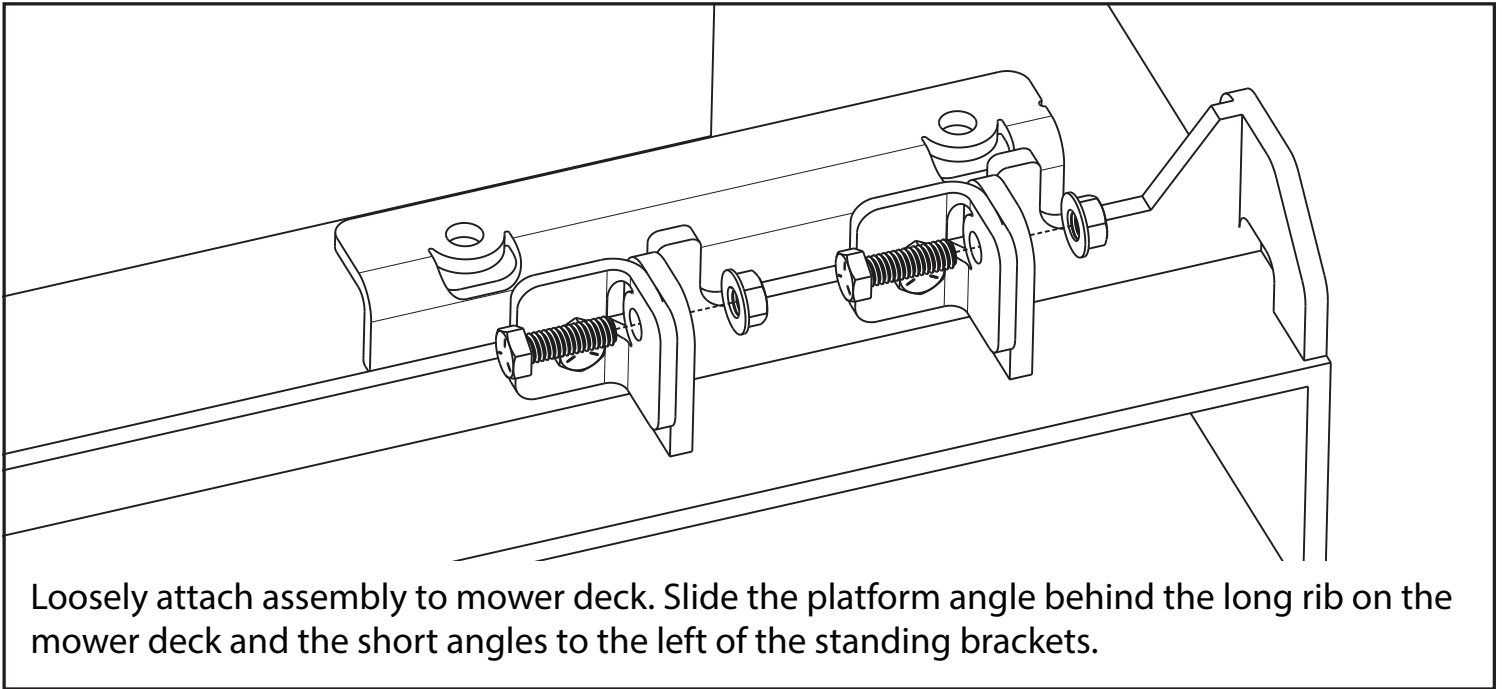


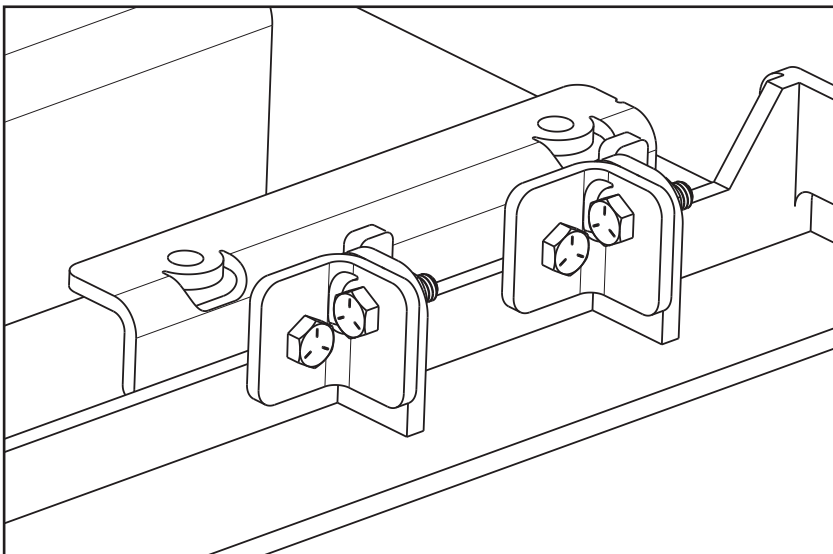
# 11-82-35 Wright AeroCore No-Drill Assembly Instructions



Loosely attach short angles to platform angle using 5/16"-18 X 1" bolts. Leave 1/4" minimum gap between parts. Make sure cutout bolt holes are on top.



Loosely attach assembly to mower deck. Slide the platform angle behind the long rib on the mower deck and the short angles to the left of the standing brackets.



Tighten all bolts to secure platform to mower deck. You now have a secure platform to attach a low-profile GrassFlap to your Wright AeroCore mower.

## Grass

[grassflap.com](http://grassflap.com)

# Flap

(502) 594-3546 | [David@GrassFlap.com](mailto:David@GrassFlap.com)

rev jan2022