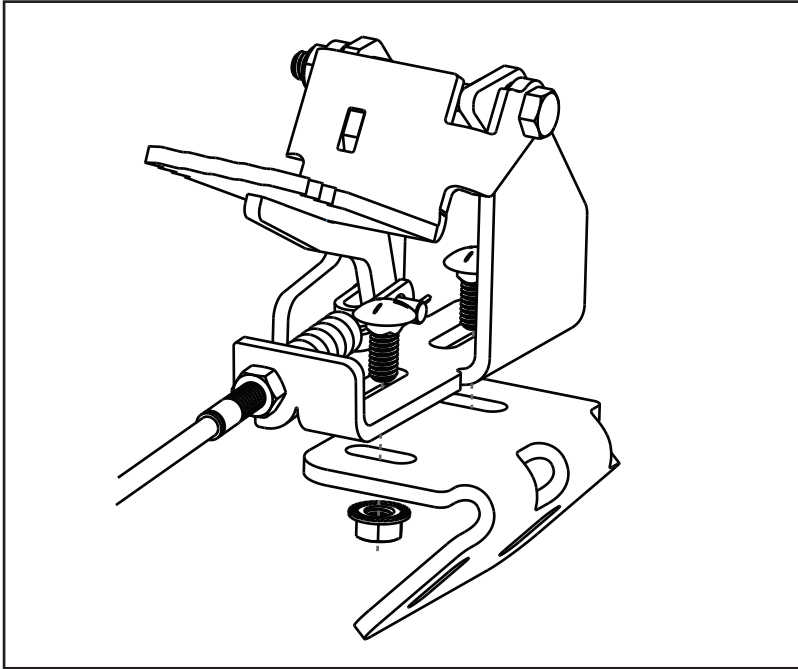
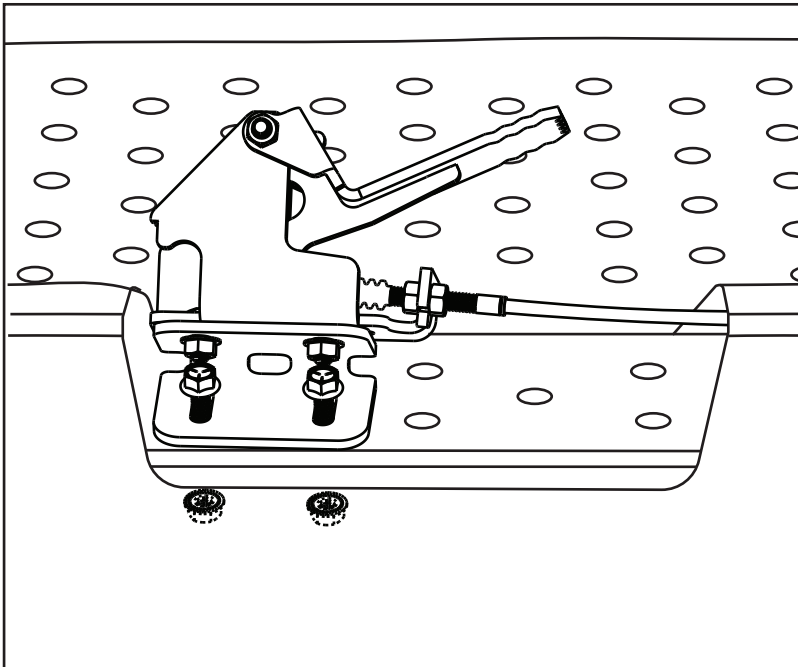


# 11-82-32 Pedal Mount Plate 135 Assembly Instructions



1. Mount pedal to pedal mounting plate 135 using 5/16-18 x 1 carriage bolts as shown.
2. Mount pedal mounting plate 135 and pedal assembly to foot platform as shown using 5/16-18 x 1 flange head bolts.

NOTE: Depending on your mower it may be necessary to drill mounting holes for attaching the assembly.



**Grass**

[grassflap.com](http://grassflap.com)

**Flap**

(502) 594-3546 | [David@GrassFlap.com](mailto:David@GrassFlap.com)