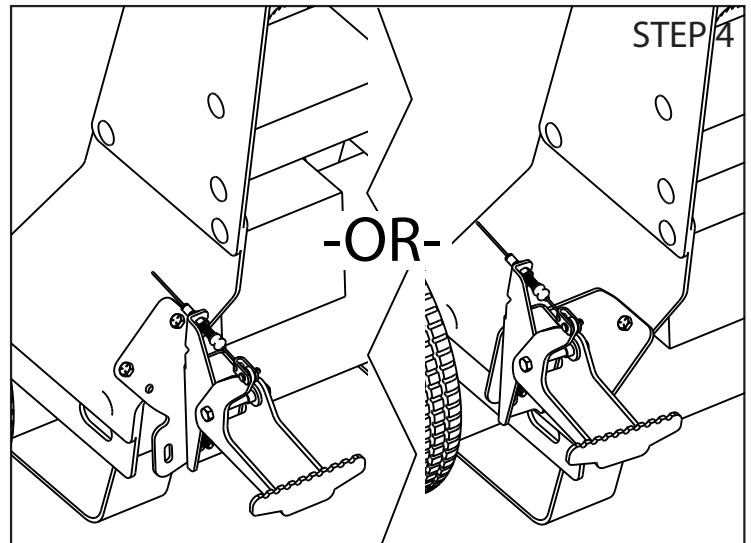
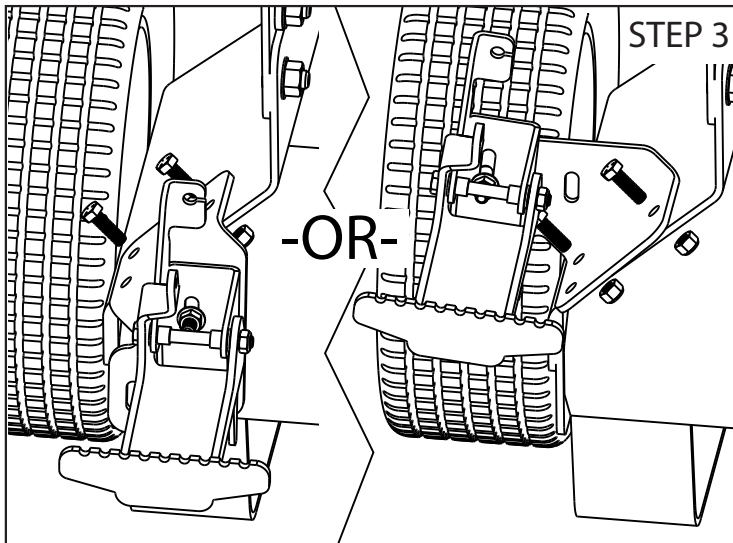
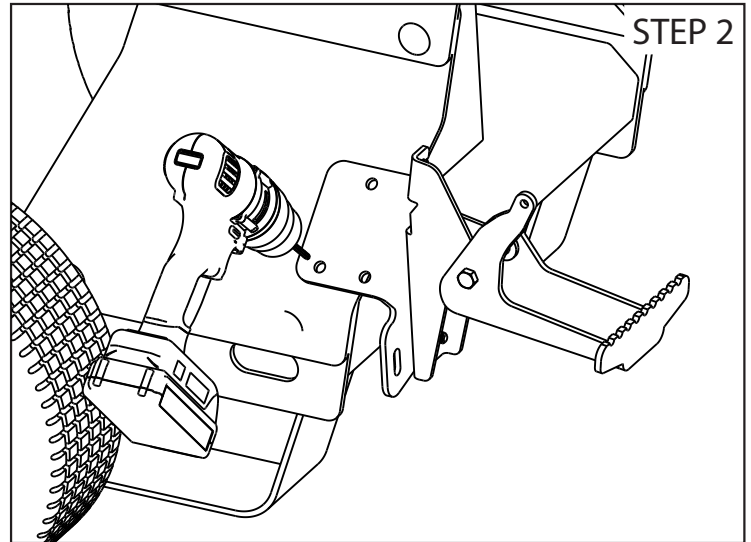
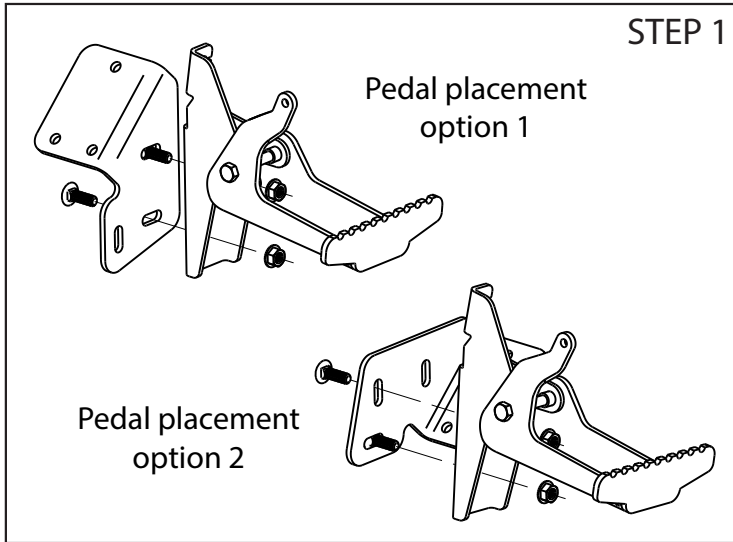


11-82-31 Toro Proline Pedal Mount

1. Select desired pedal orientation and attach pedal assembly to pedal plate using two 5/16-18 x 1" bolts provided.
2. Mark and drill two 11/32 diameter holes to attach pedal plate to mower.
3. Attach pedal plate and pedal assembly to mower using two 5/16-18 x 1" bolts provided.



Grass

grassflap.com

Flap

(502) 594-3546 | David@GrassFlap.com

rev mar2023