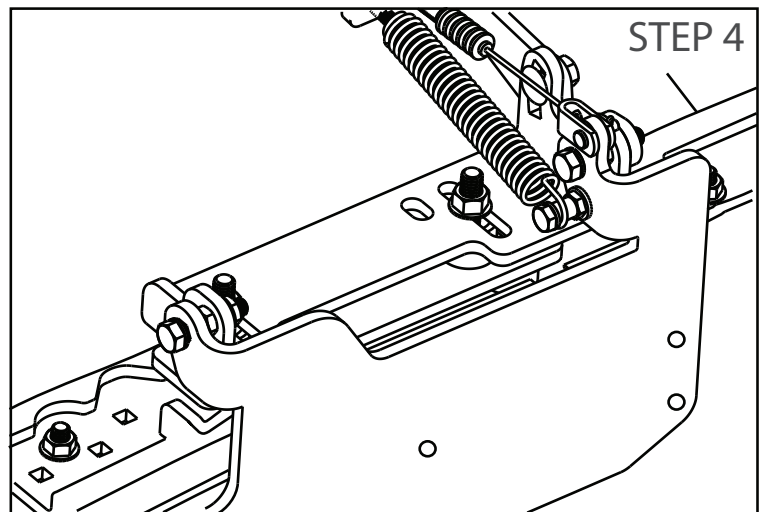
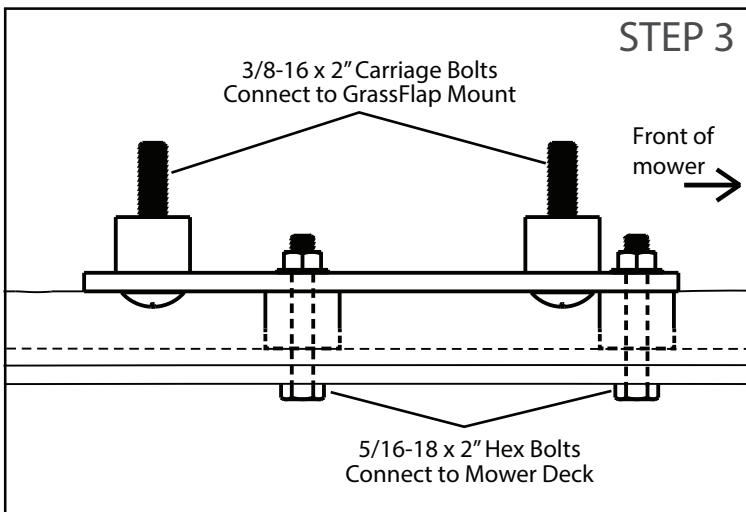
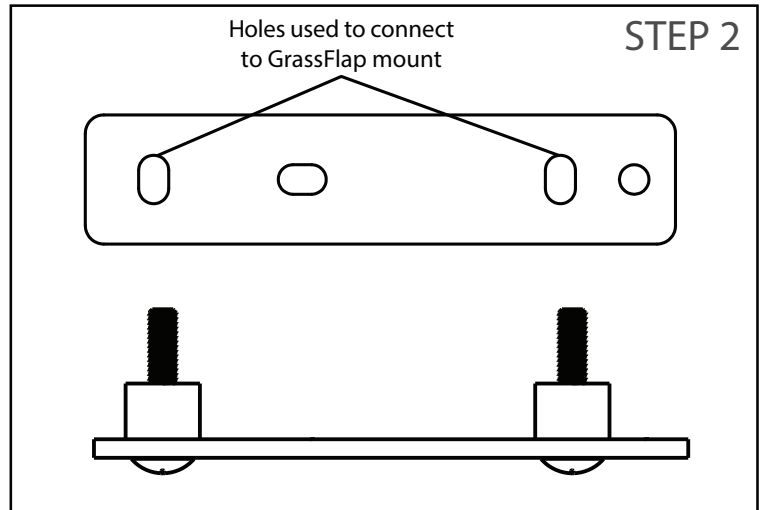
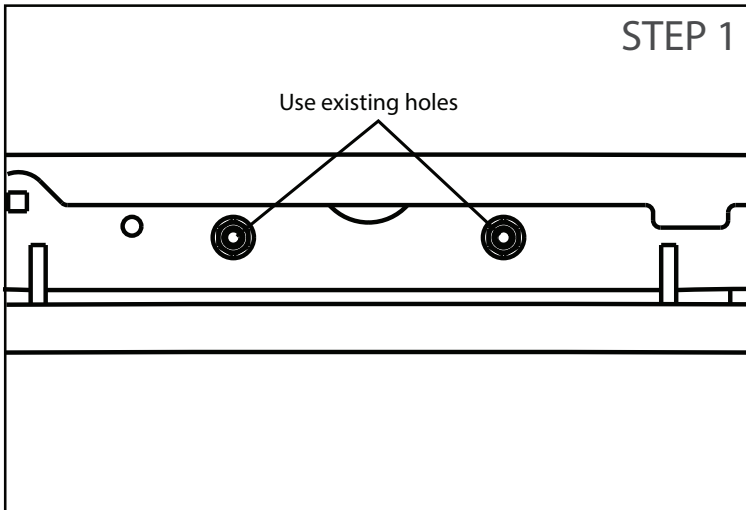


# 11-82-30 Country Clipper No-Drill Instructions

1. Remove factory chute and two bolts shown below.
2. Place two 3/8-16 x 2" carriage bolts in holes noted below with head of bolt on bottom. Place 1" spacers on top of mount.
3. Using two 5/16-18 x 2" hex bolts connect no drill mount to mower. Head of bolt should be under mower deck with two 1" spacer on top of deck. Place no-drill mount on top of spacers with bolts going through remaining two holes. Secure with 5/16 nuts.
4. Install flap assembly to 3/8-16 x 2" bolts installed in step 2. Secure with 3/8 nuts.
5. Complete installation following instructions included with GrassFlap (omit steps 4-5).



# Grass

grassflap.com

# Flap

(502) 594-3546 | David@GrassFlap.com

rev mar2022