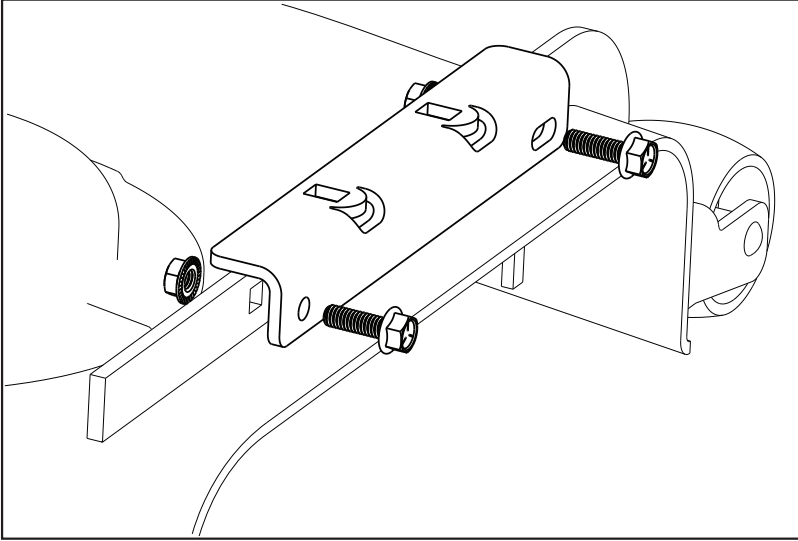
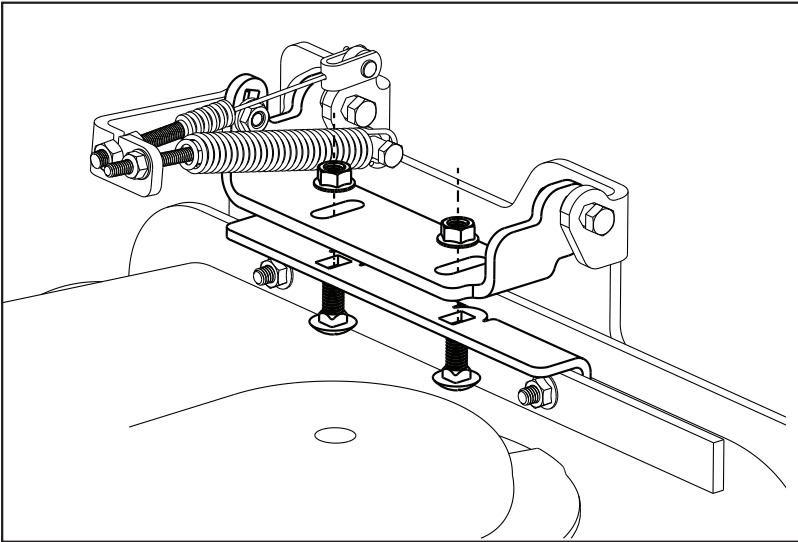


11-82-26 No-Drill Angle Mount 44 Installation



1. Mount angle to existing rib using 5/16-18 x 1 hex bolts as shown.
2. Bolt flap mount to angle mount using 3/8-16 x 1 carriage bolts.
3. Complete installation following instructions include with GrassFlap (omit steps 4-5).



Grass

grassflap.com

Flap

(502) 594-3546 | David@GrassFlap.com