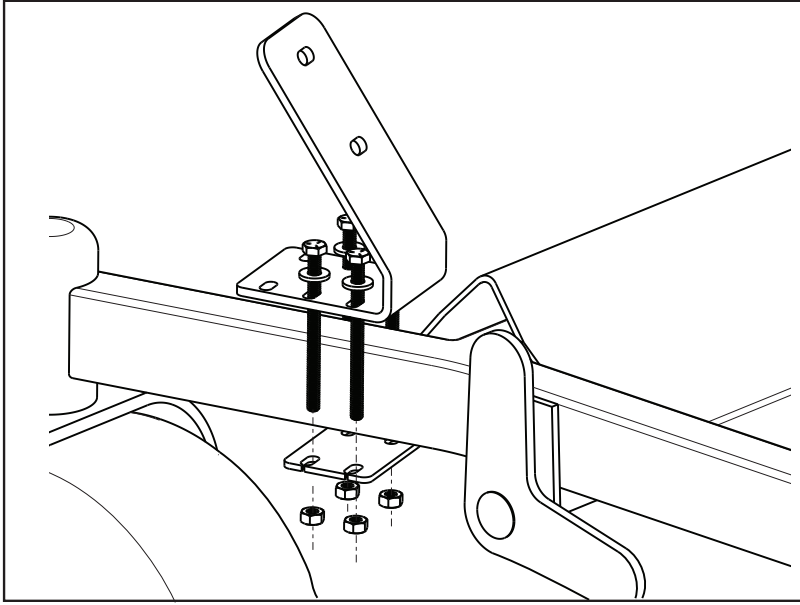
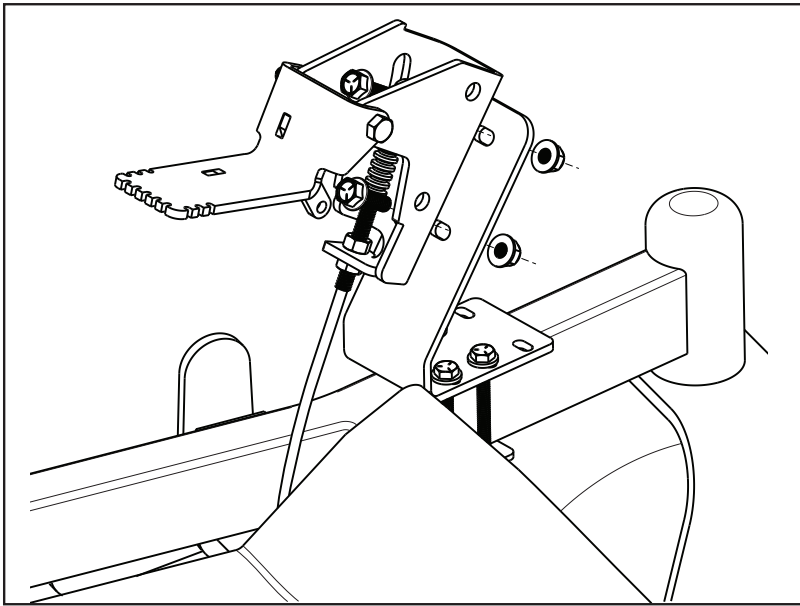


11-82-24 Pedal Flat Mount Assembly Instructions



1. Place 4 bolts with washers through pedal mount plate.
2. Slide backer plate under frame and tighten nuts.
3. Bolt pedal to pedal plate with bolts & nuts provided.
4. Follow instructions for connecting cable.



Grass

grassflap.com

Flap

(502) 594-3546 | David@GrassFlap.com