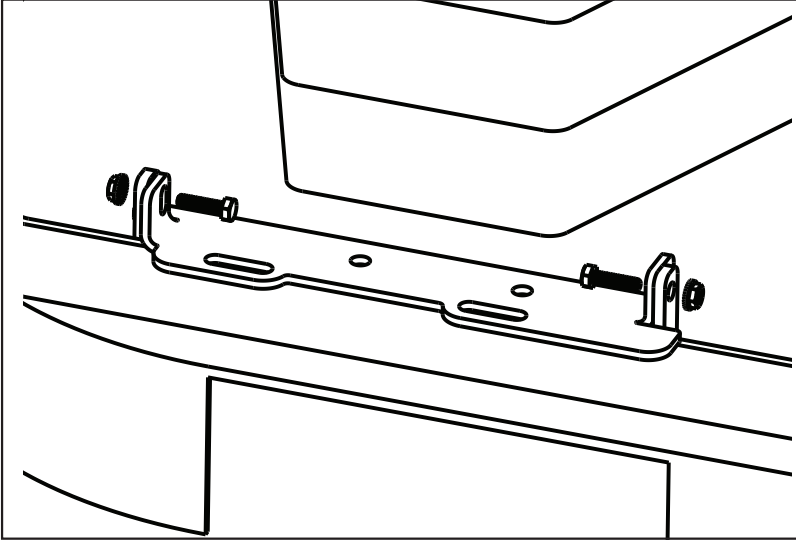


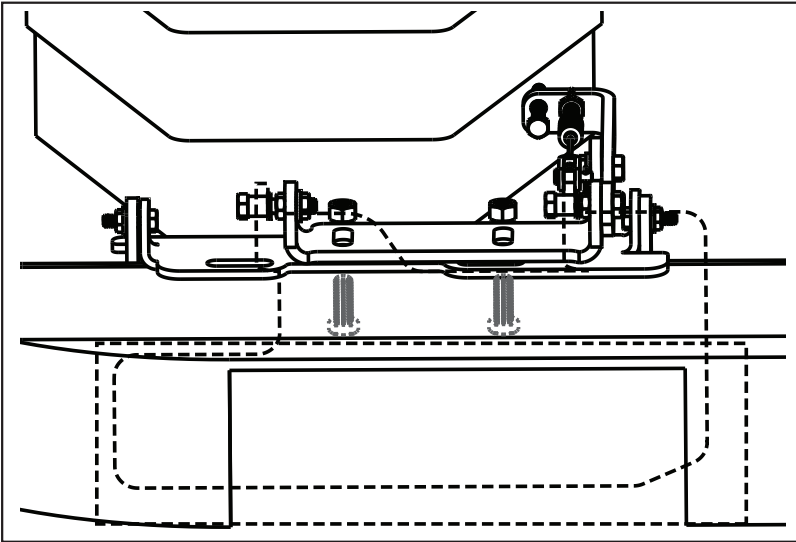
11-82-23 Scag No-Drill Assembly Instructions



Use with units starting with 44P

1. Install two provided 5/16-18 x 1" hex bolts with heads to inside of tabs.
2. Secure with two provided 5/16-18 flange serrated nuts.
3. Mount GrassFlap using two provided 3/8-16 x 1" hex bolts, nut on top.
4. Complete installation following instructions included with GrassFlap (omit steps 4-5)

Note: Mowers with 11-1/2 inches between the factory tabs require installation of 5/16 flat washer, not provided, to fill gap between the end of no-drill and rear factory tab.



Grass

grassflap.com

Flap

(502) 594-3546 | David@GrassFlap.com