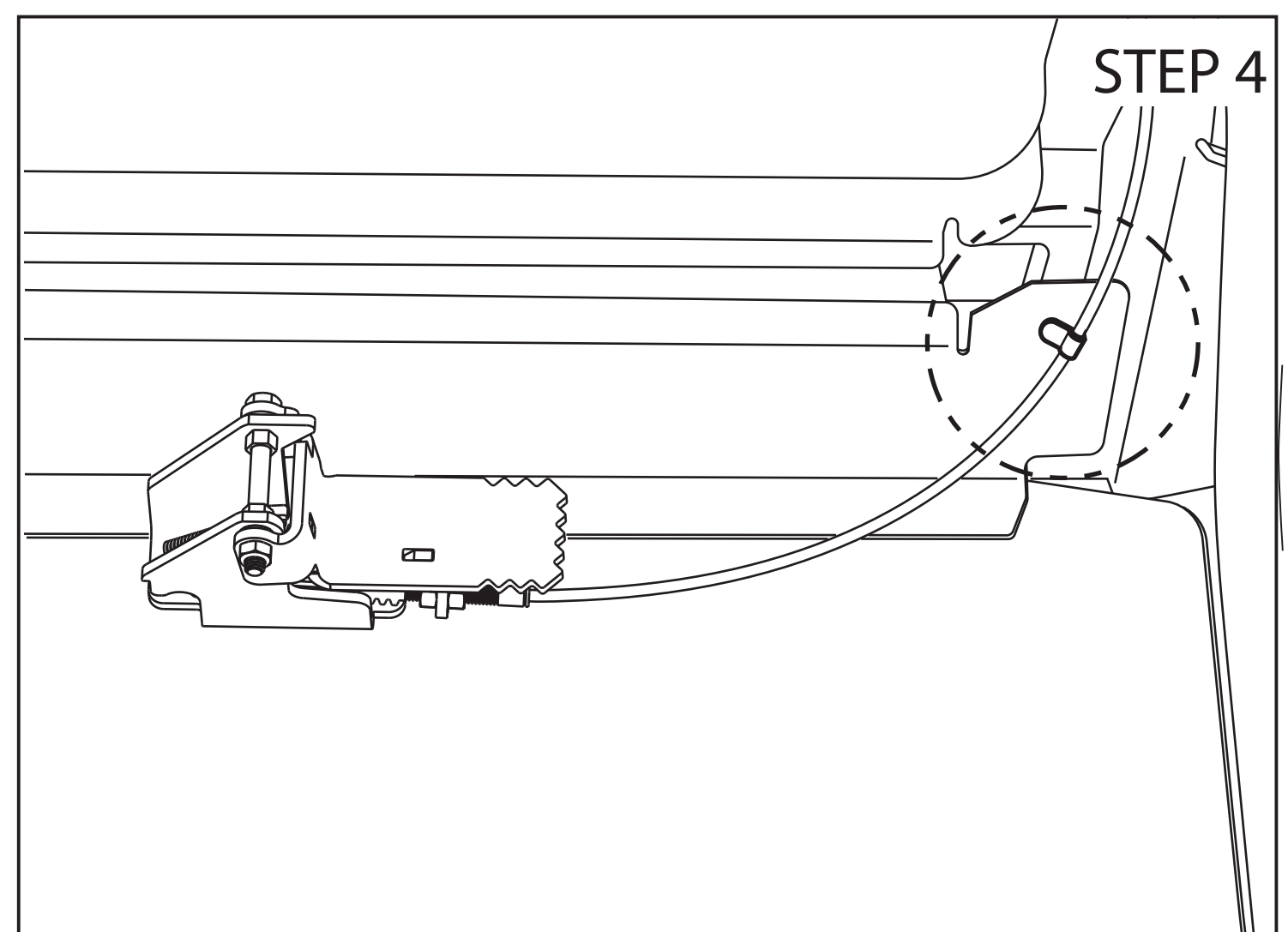
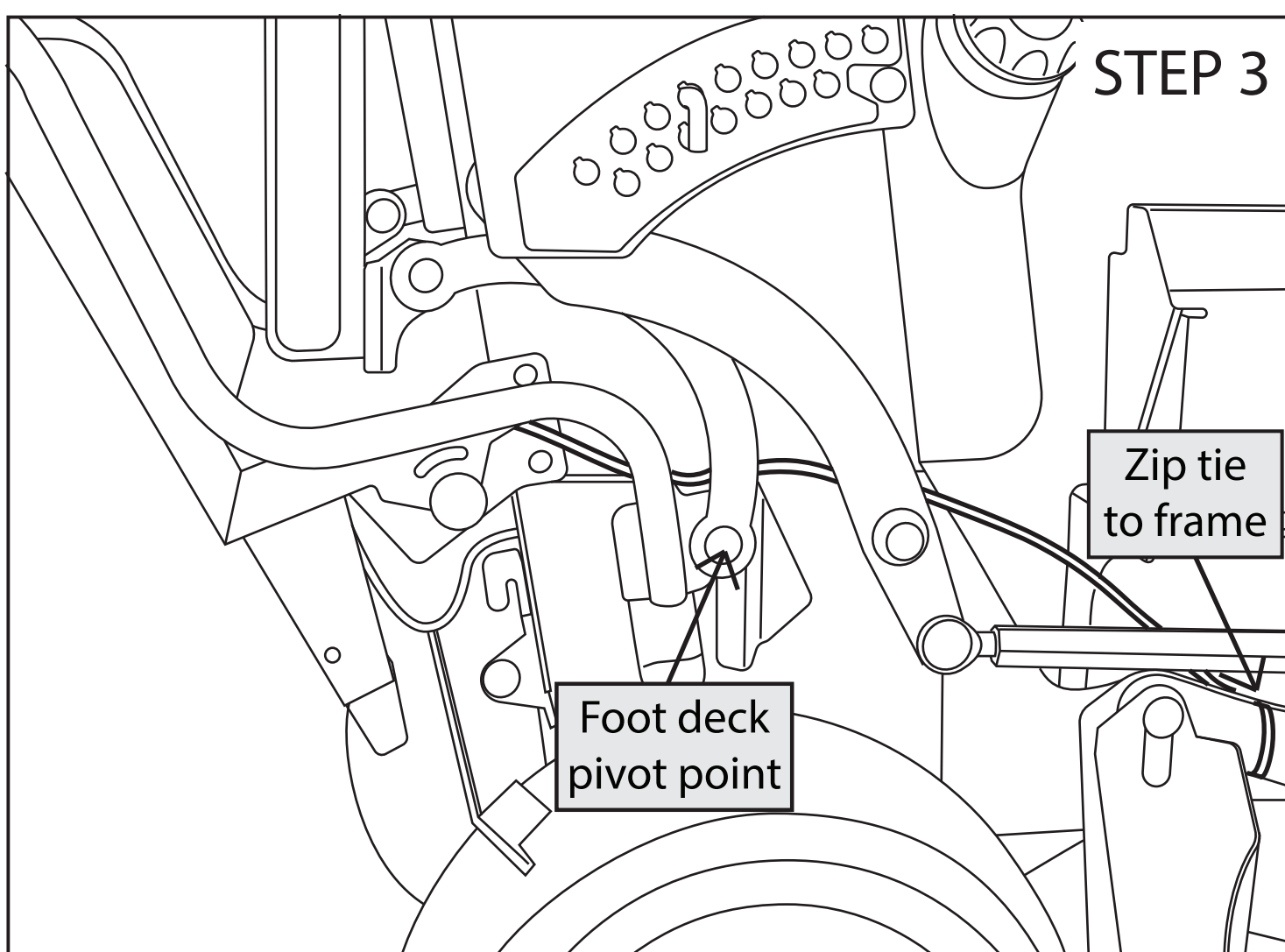
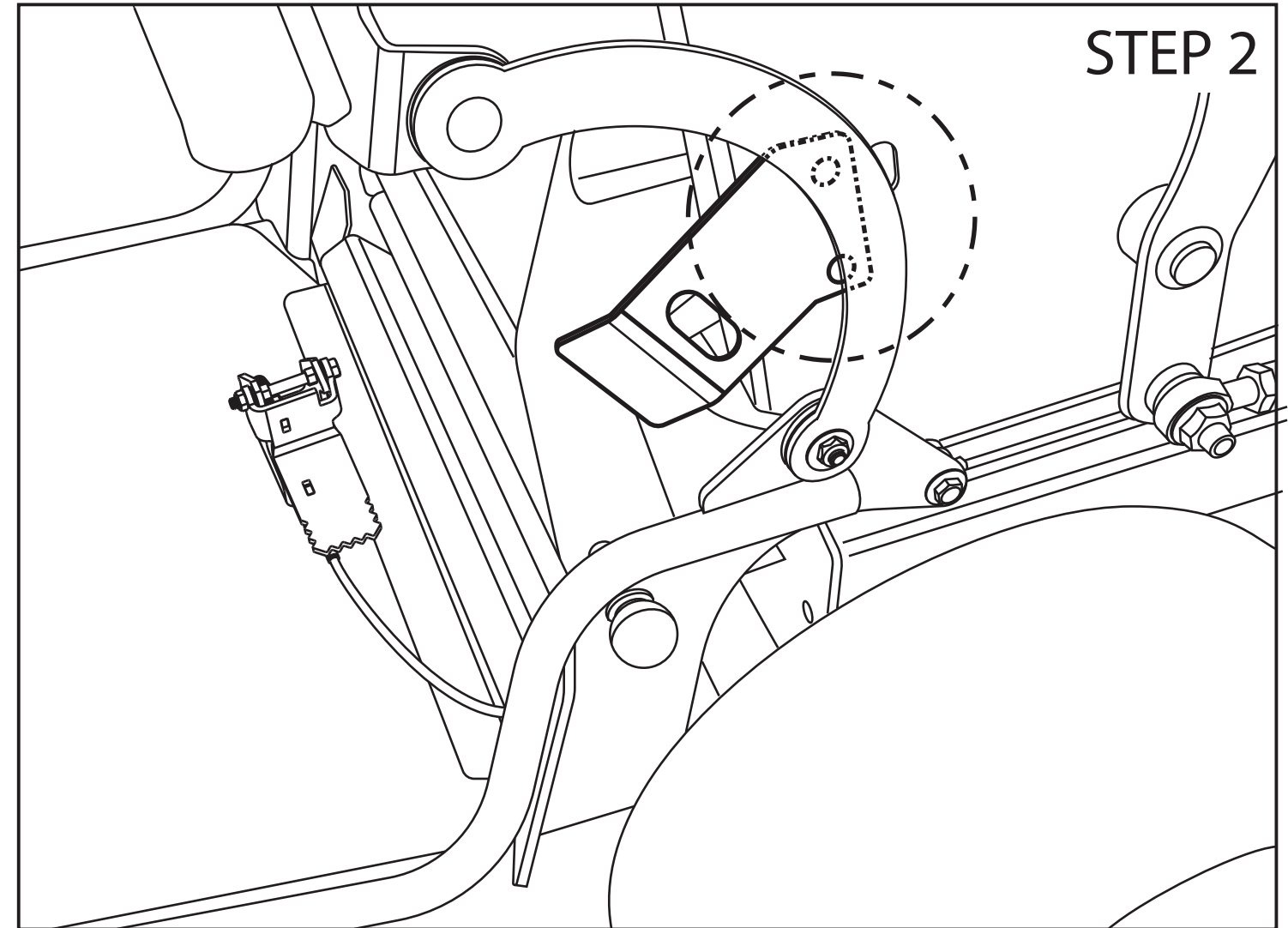
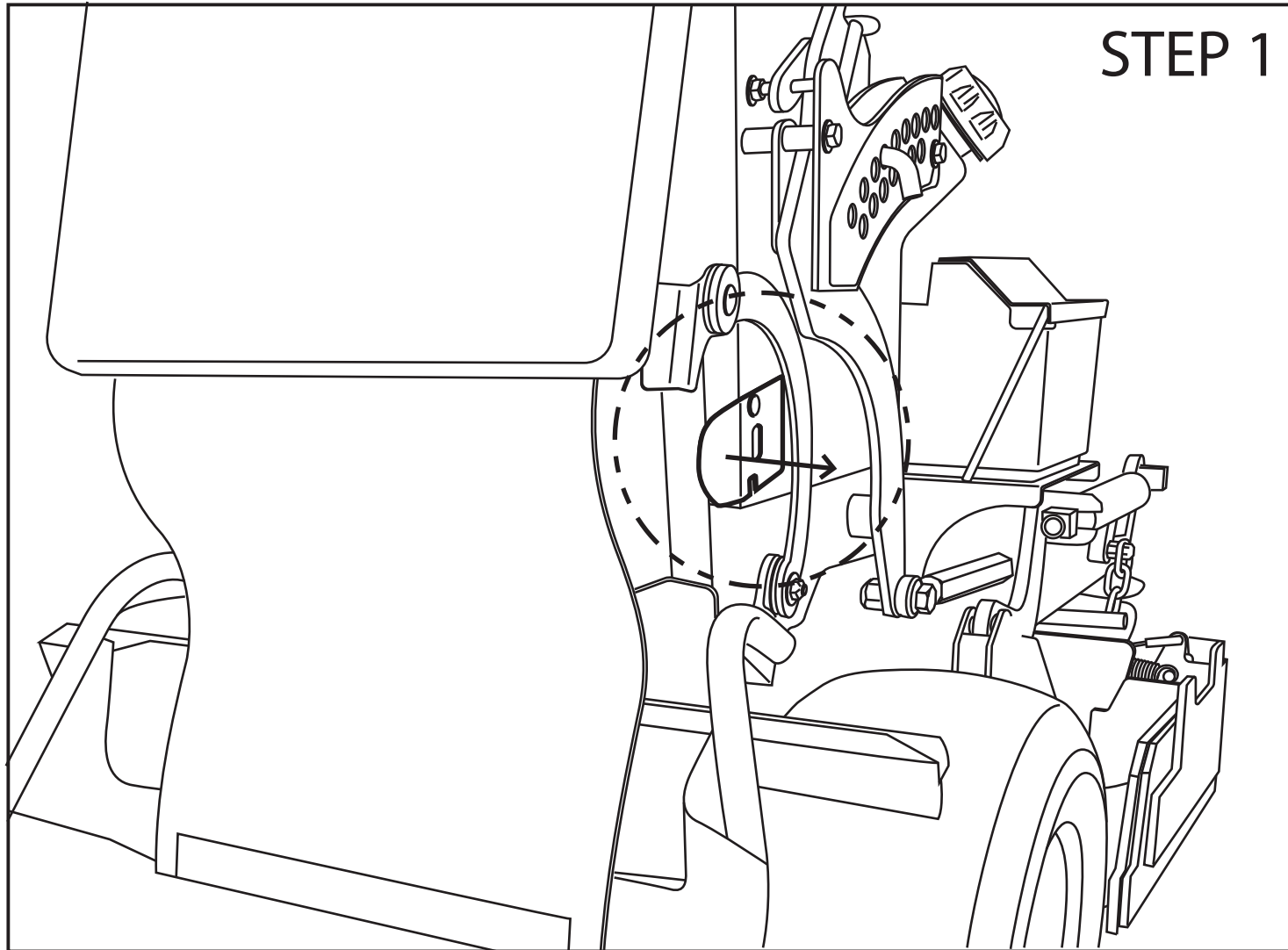


# 11-82-22 Grandstand/Vantage Strike Plate

1. Remove existing factory strike plate.
2. Bolt GrassFlap strike plate in existing holes using (2) 1/4-20 x 3/4" carriage bolts.
3. Route cable as shown, making sure to get it as close as possible to pivot point for the foot deck.
4. Connect cable to deck using provided cable clamp and to frame using zip tie as shown in step 3.



**Grass**

grassflap.com

**Flap**

(502) 594-3546 | David@GrassFlap.com

rev apr2023