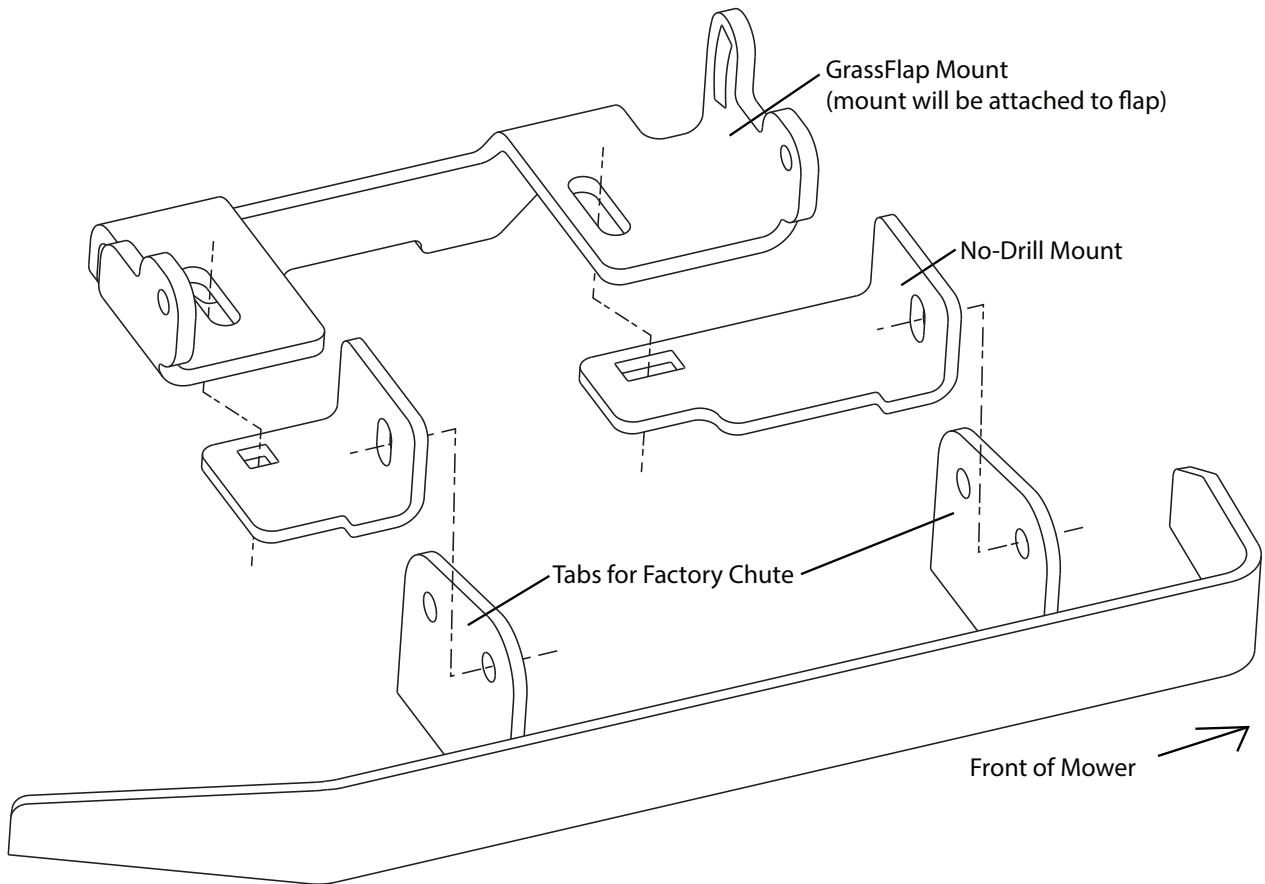


GrassFlap No-Drill for Bobcat Predator Pro  
GF Part #11-82-19

**Installation of No-Drill Mount**

(Replaces step 4 in installation guide)

1. Loosely attach no-drill mount to factory tabs using (2) 3/8"-16 x 1" hex head bolts.
2. Loosely attach GrassFlap mount (mount will come assembled to flap) to no-drill mount using (2) 3/8 x 1 carriage bolts.
3. Tighten all bolts to secure GrassFlap to mower deck.
4. Complete installation following instructions included with GrassFlap (omit steps 4-5).



Assembled No-Drill Mount

