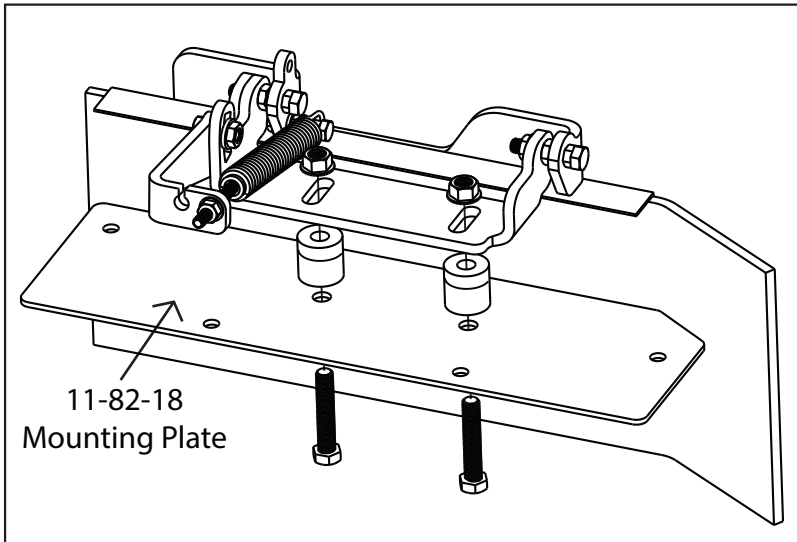


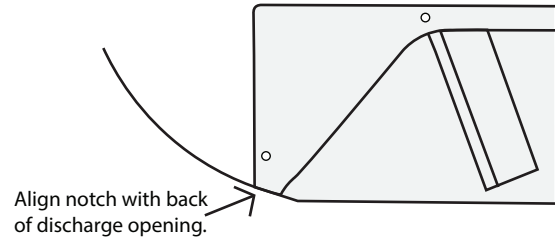
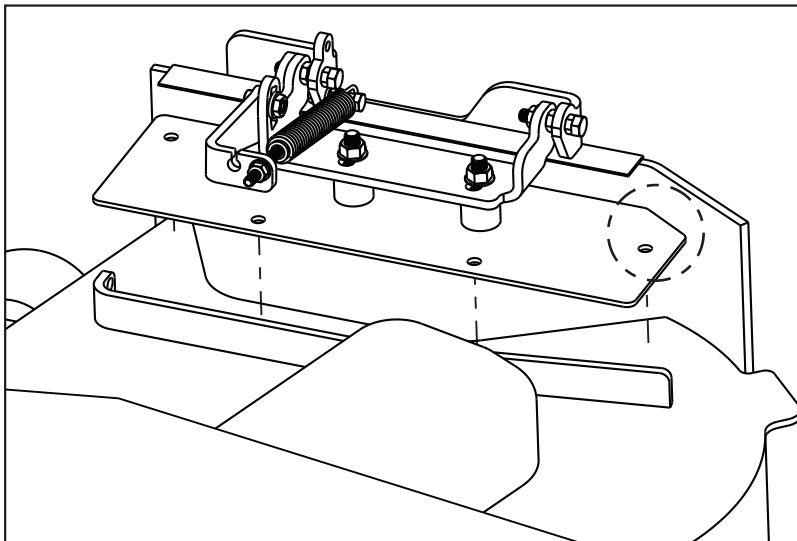
11-82-18 Mounting Plate 4-1/2 x 15 x 1/8 inches



1. Attach flap assembly to mounting plate using (4) spacers with 1-1/2" of spacers on each side and (2) 3/8-16 x 2-1/2" hex bolts. Blocker plate should be on same side as notch.

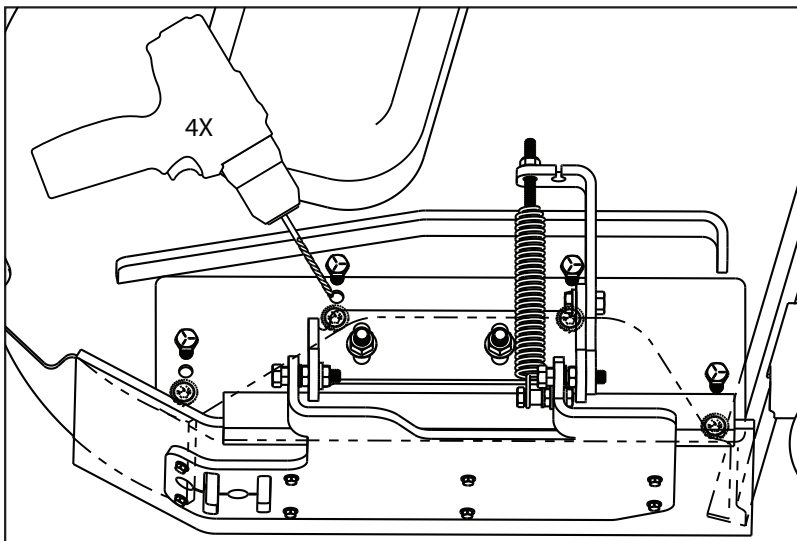
2. Position flap assembly on deck, align front corner of deck plate with front of discharge opening and notched corner with back of discharge opening.

Warning: Blade will contact flap unless notch on rear edge of plate is aligned with outside edge of deck.



3. Mark location for mounting bolts, center punch and drill holes for 5/16 bolt.
NOTE: Holes on deck plate will not line up with existing holes on mower.

4. Secure mounting plate to deck using (4) 5/16-18 x 3/4" hex bolts.



Grass

grassflap.com

Flap

(502) 594-3546 | David@GrassFlap.com