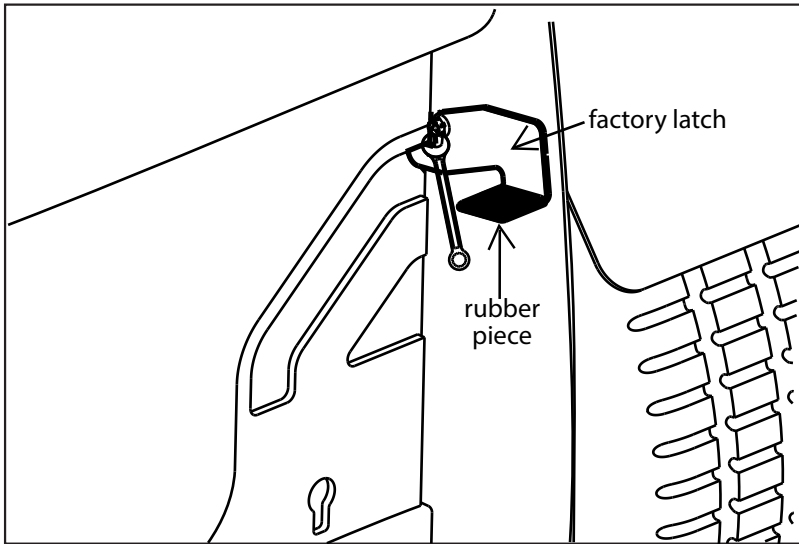
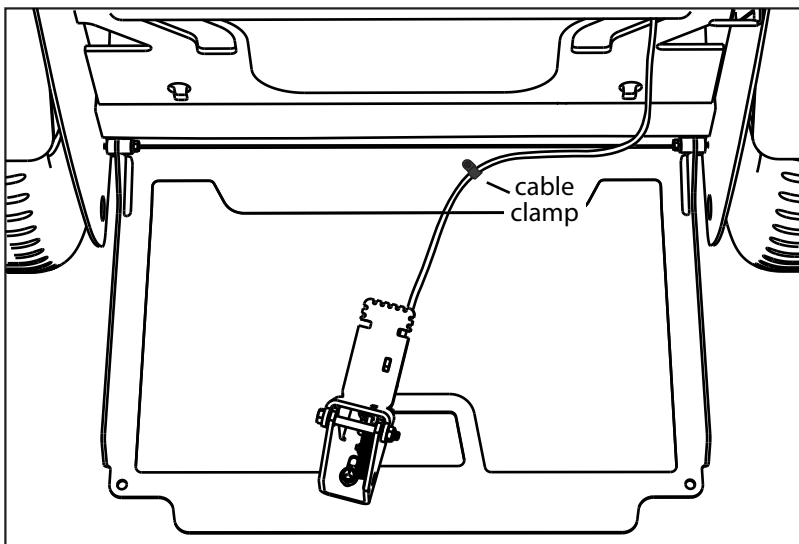
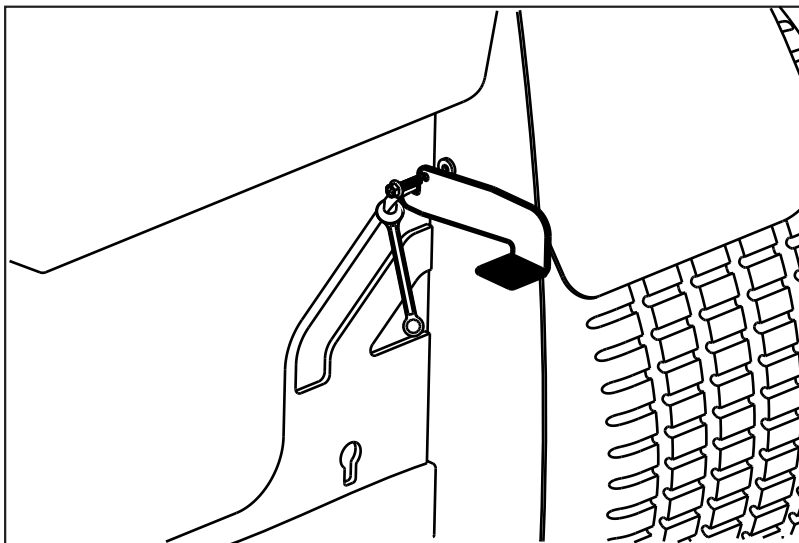


11-82-15 Extended Latch Instructions



1. Remove factory latch from mower.
2. Remove rubber piece from factory latch and place on GrassFlap extended latch.
3. Bolt extended latch to side of foot deck.
4. Lift foot deck and verify latch operates as expected.
5. Route cable as shown with S curve and secure with cable clamp.

Note: S-curve required to prevent cable damage when closing foot deck.



Grass

grassflap.com

Flap

(502) 594-3546 | David@GrassFlap.com