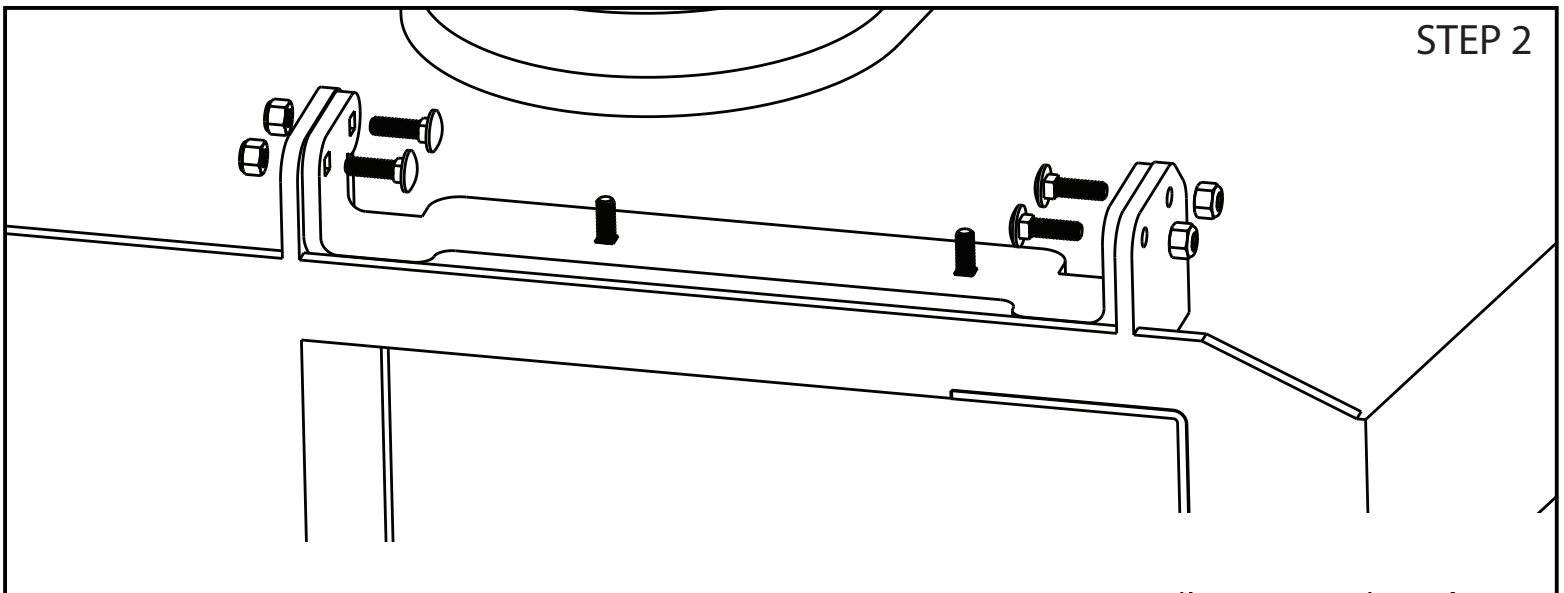
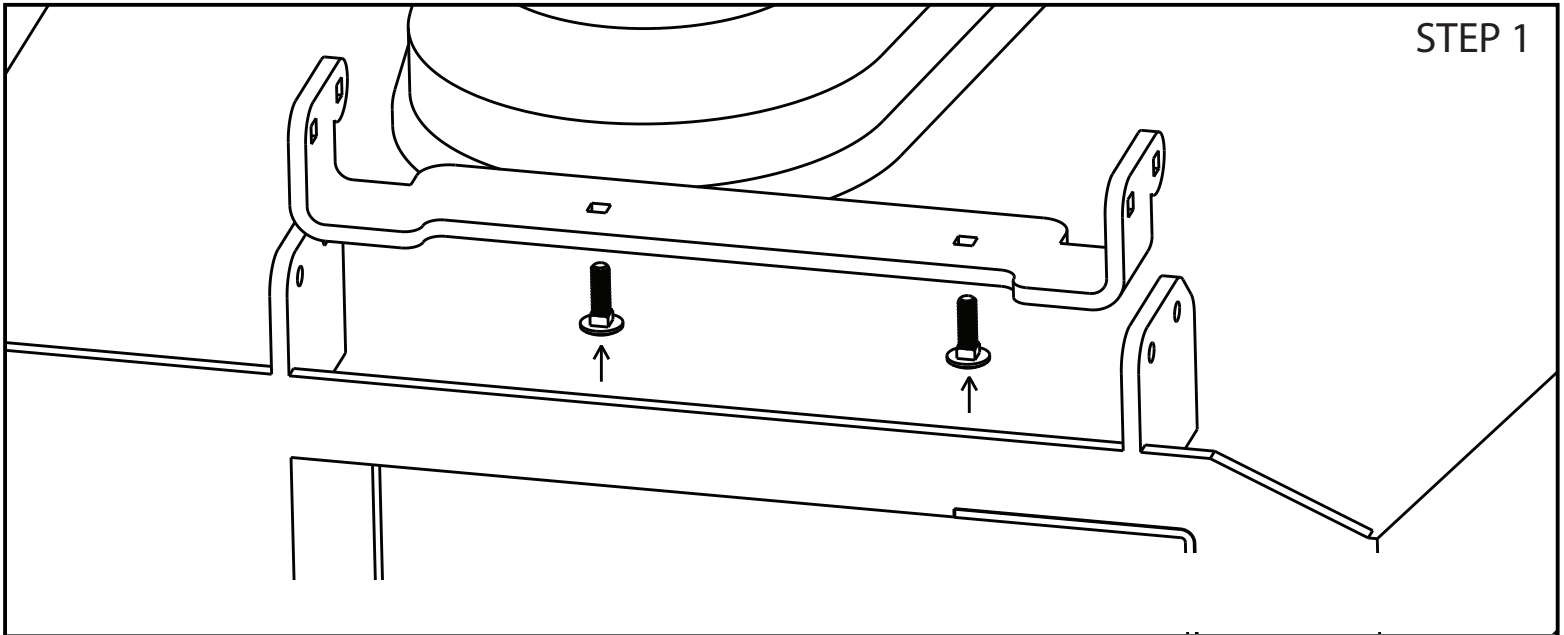


11-82-14 Hustler Fastrak No-Drill Assembly Instructions

1. Place 3/8-16 x 1" carriage bolts from underside of mount prior to installing to deck.
2. Install mount using 3/8-16 x 1" carriage bolts with heads to inside of tabs and secure with nuts.
3. Complete installation following instructions included with GrassFlap (omit step 4)



Grass

grassflap.com

Flap

(502) 594-3546 David@GrassFlap.com

rev jan2021