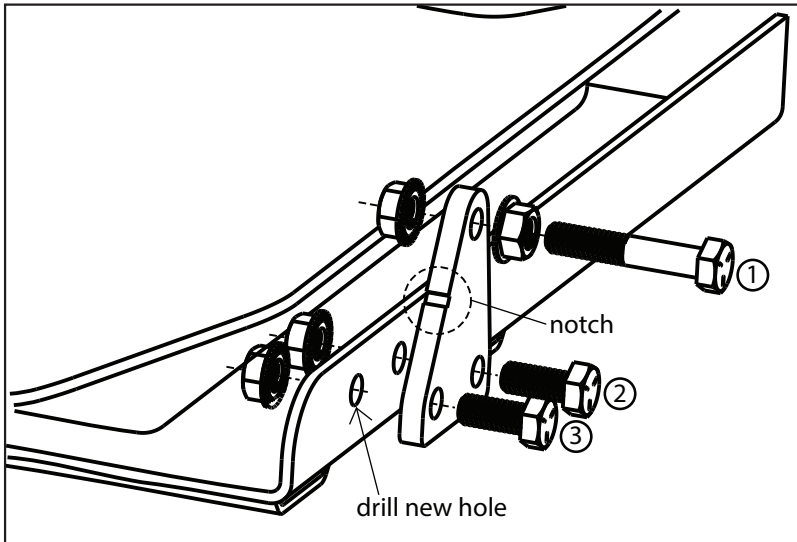
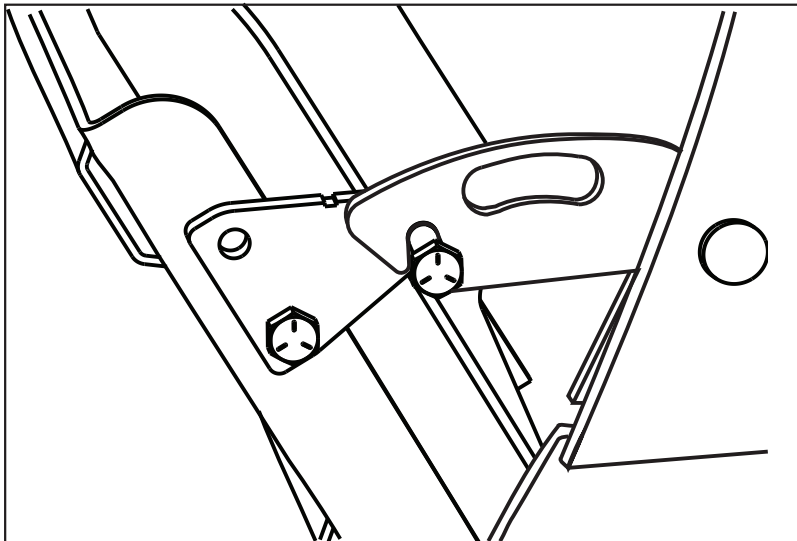


11-82-13 Latch Plate 2" Extension Instructions



1. Remove factory bolt for latch bolt 1.
2. Bolt latch extension to side of foot deck, position notch to rear of mower, bolt 2.
3. Mark and drill new hole for bolt 3.
4. Reinstall latch factory latch bolt, bolt 1.
5. Lift foot deck and verify latch operates as expected.



Grass

grassflap.com

Flap

(502) 594-3546 | David@GrassFlap.com