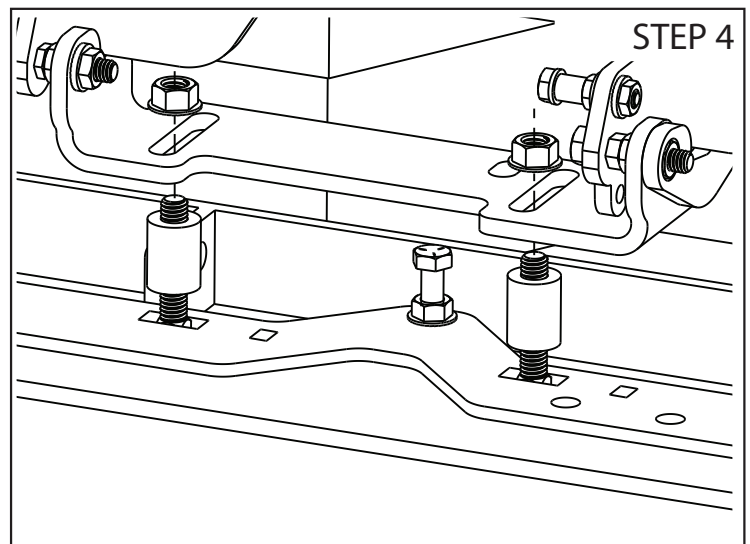
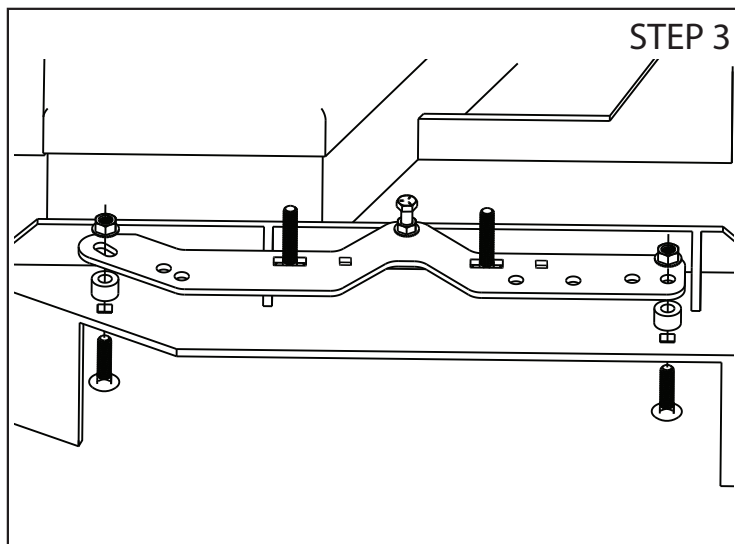
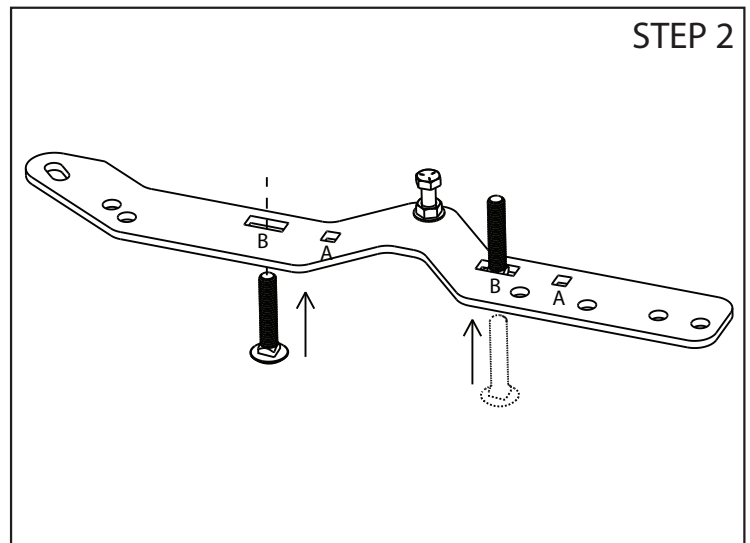
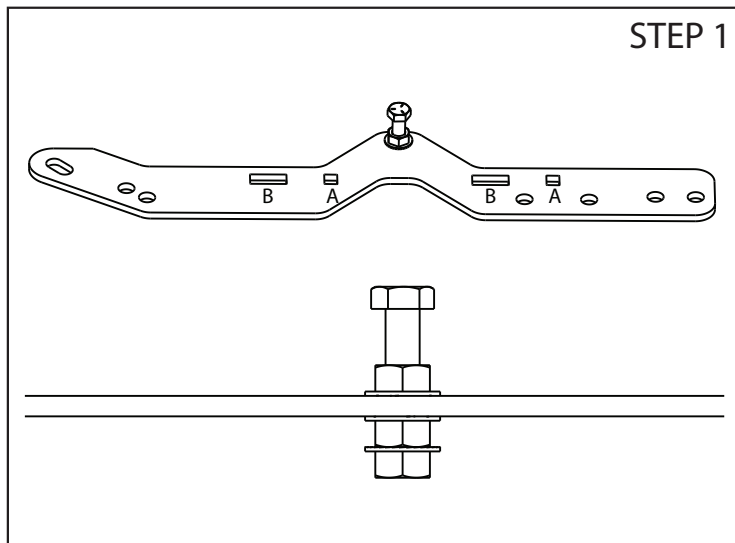


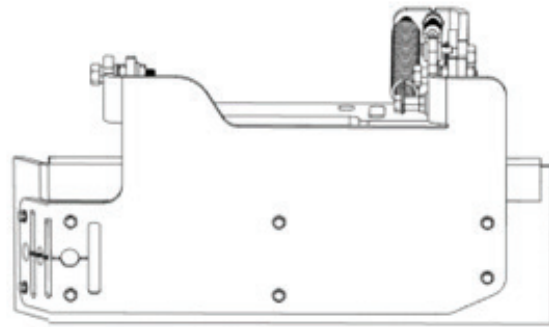
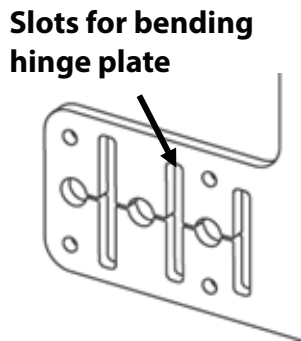
# 11-82-12 Ferris No-Drill Installation for iCD Deck

1. With bracket in position as shown verify supporting bolt is secure with double nuts on bottom.
2. Install two 3/8-16 x 2" carriage bolts into square slots B with the head of the bolt on the bottom.
  - 2a. For Z2 deck, insert bolts into the hole set A
3. Positioning no-drill on deck aligned with outside edge and existing holes, secure mount to deck using two 3/8-16 x 1-1/2" carriage bolts and 1/2" spacers as shown. (spacers provided in unit)
4. Position 1" spacers on 3/8-16 x 2" bolts installed in step 2. Place flap mount on spacers and secure with 3/8 nuts provided.
5. Complete installation following instructions included with GrassFlap (omit steps 4-5)



## Flap & Blocker Plate

1. Fit blocker plate to discharge (see installation guide for details on bending blocker plate).
2. Position flap assembly on no-drill so slots for bending will align with bend on blocker plate (see installation guide for details on bending hinge plate).



# Grass

[grassflap.com](http://grassflap.com)

# Flap

(502) 594-3546 | [David@GrassFlap.com](mailto:David@GrassFlap.com)