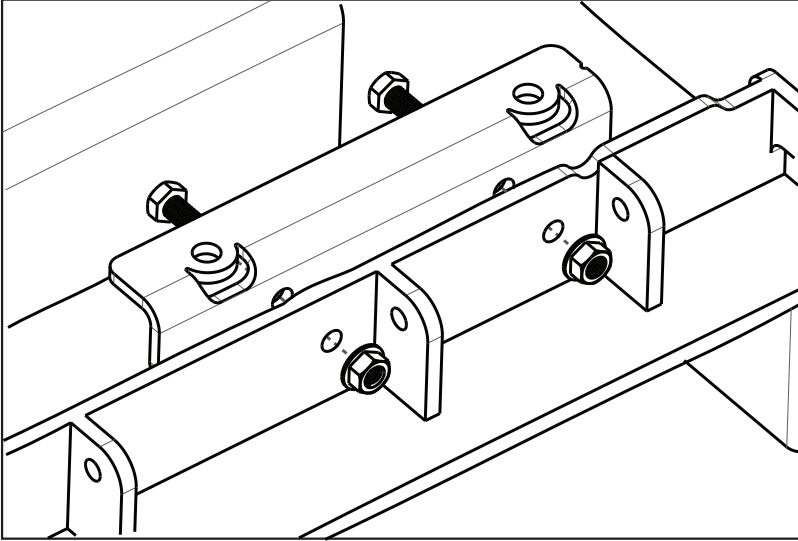
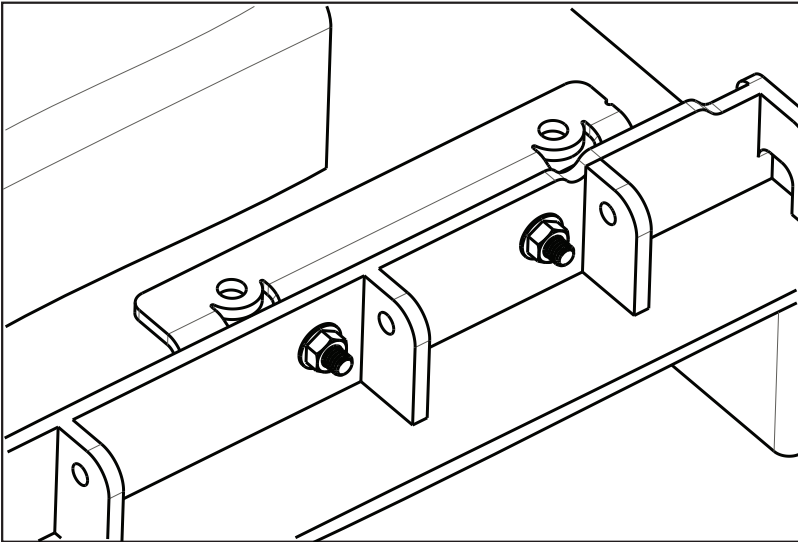


# 11-82-04 Wright Aerocore No-Drill Assembly Instructions



1. Mount angle to existing rib using 5/16-18 x 1 hex bolts as shown.
2. Bolt flap mount to angle mount using 3/8-16 x 1 carriage bolts.
3. Complete installation following instructions include with GrassFlap (omit steps 4-5).



**Grass**

[grassflap.com](http://grassflap.com)

**Flap**

(502) 594-3546 | [David@GrassFlap.com](mailto:David@GrassFlap.com)