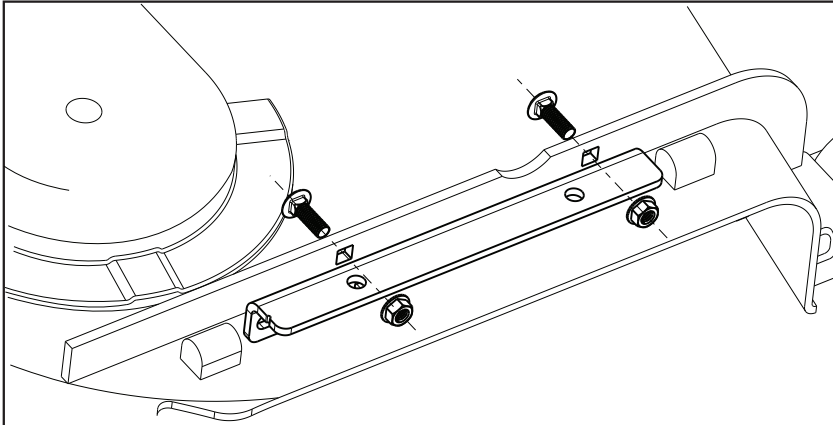


11-82-02 John Deere No-Drill Assembly Instructions



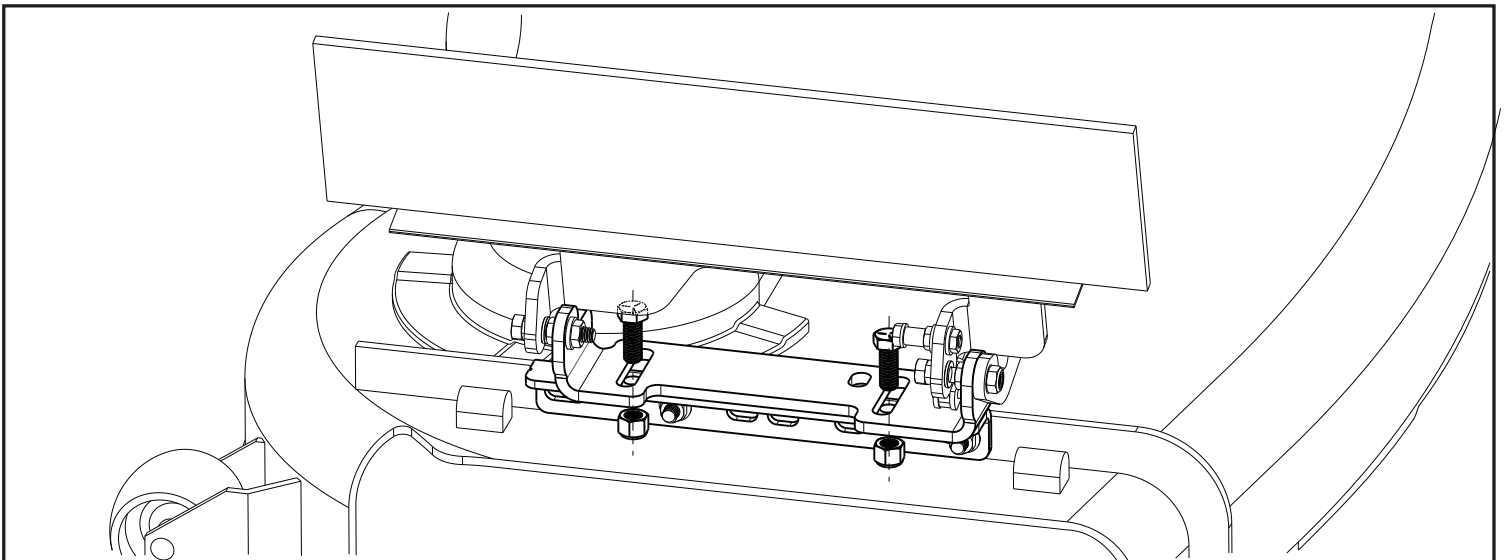
1) Bolt JD mount to existing rib on 7-iron deck using 5/16-18 x 1" carriage bolts.

Grass

grassflap.com

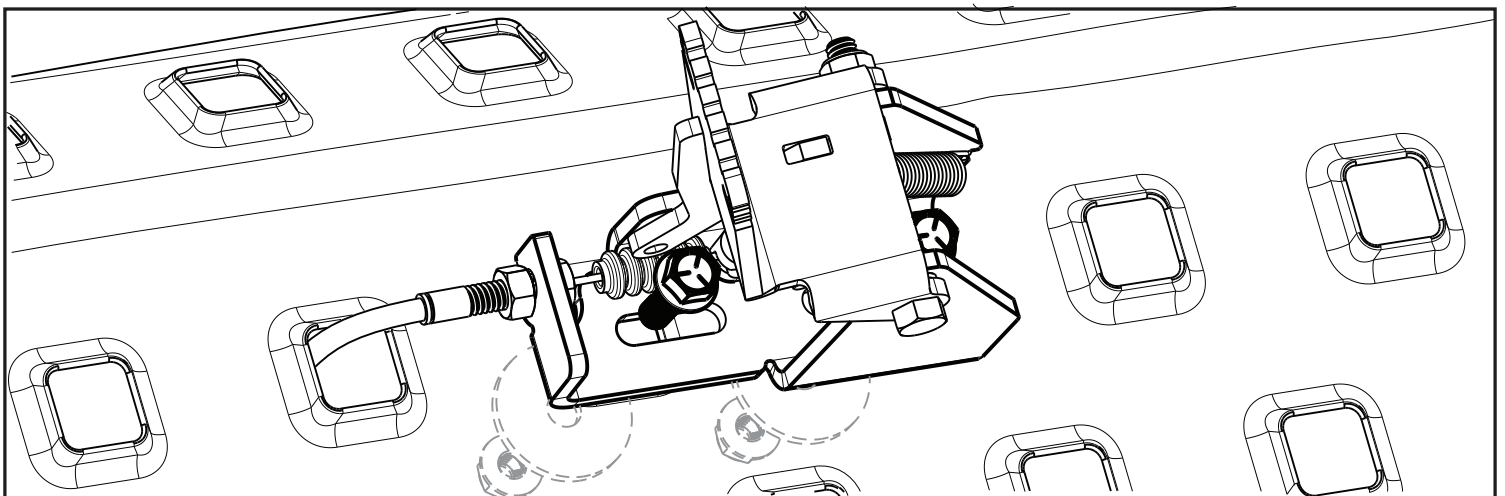
Flap

(502) 594-3546 | David@GrassFlap.com



2) Bolt flap mount to JD mount using 3/8-16 x 1" hex bolts.

3) Complete installation following instructions included with GrassFlap (omit steps 4-5).



4) Use heavy washers provided to attach pedal through existing foot deck holes.