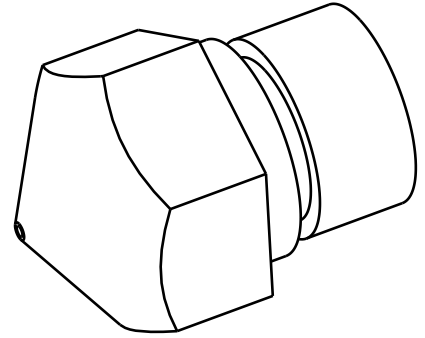
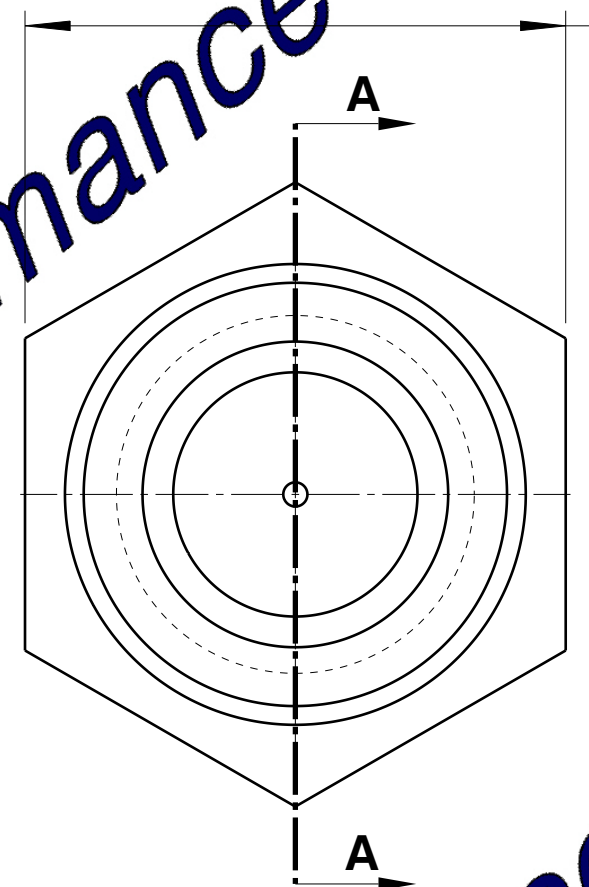
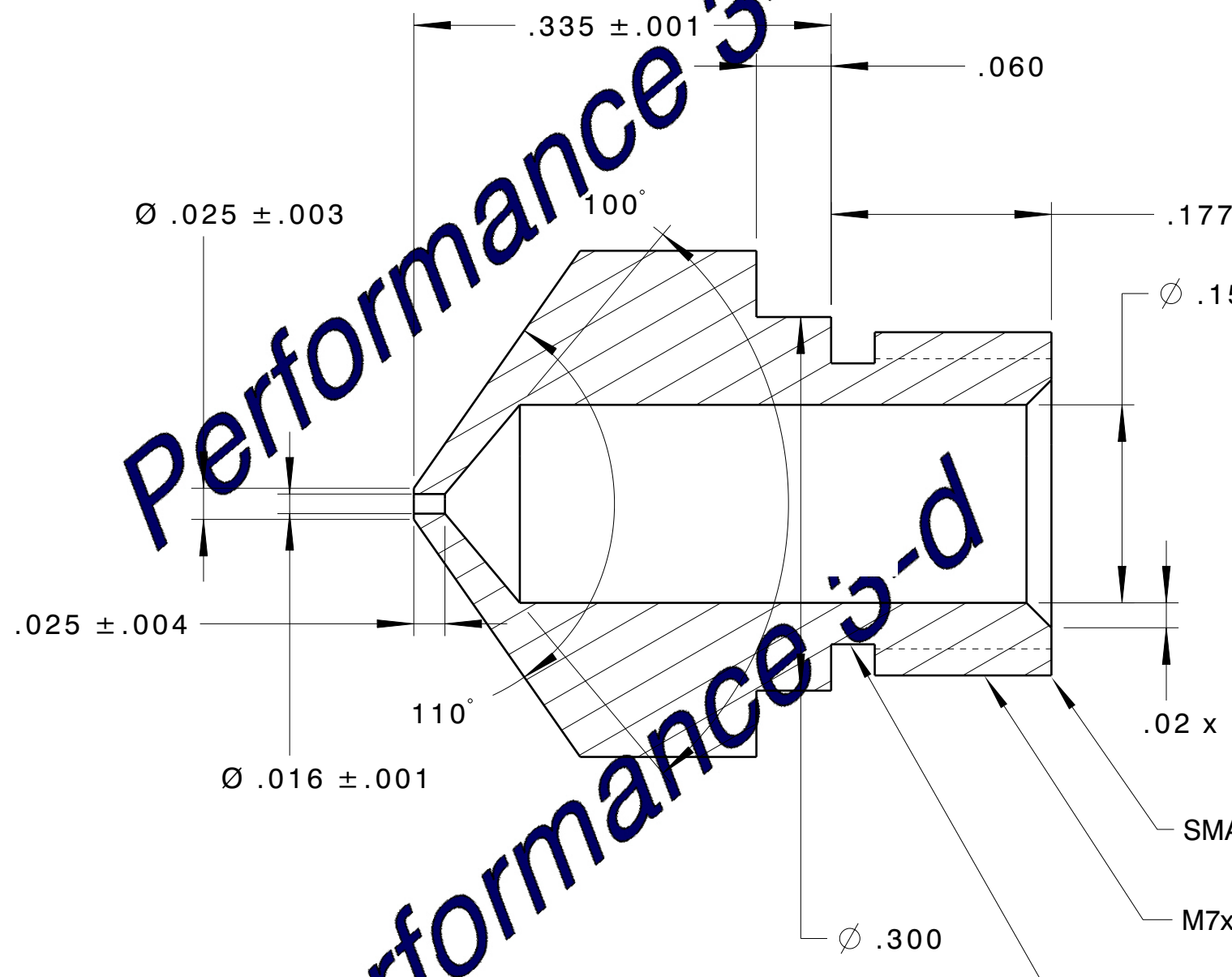


REVISION HISTORY				
ZONE	REV.	DESCRIPTION	DATE	APPROVED



- NOTES:
- INNER FLOWPATH SURFACE FINISH 63 RMS
  - INNER SURFACE FLOWPATH MUST BE FREE FROM BURRS OR SHARP EDGES

MATERIAL	
360 BRASS	
TOLERANCES	
.X = ±.1	X° = ±.25°
.XX = ±.015	(X) = NO IMPLIED TOLERANCE (REFERENCE DIM)
.XXX = ±.005	
XX/ = ±1/16	
⊕ = ±.002	SURF. FIN = 125
UNLESS OTHERWISE INDICATED	
ALL DIMS IN INCHES (UNLESS SPECIFIED)	
DO NOT SCALE DRAWING	

ENGINEER	JRE	DATE	1-3-15
DRAFTER	JRE	DATE	1-3-15



DWG FILENAME	P3D-Nozzle.CATDrawing	DRAWING TITLE:	.4mm MK8 FF NOZZLE -UPDATED	REV	N/C
3D MODEL FILENAME:	P3D-Nozzle.CATPart	P/N P3D-4N3		SHEET	
ALL INFORMATION CONTAINED HEREIN IS PROPERTY OF PERFORMANCE 3-D LLC AND MAY NOT BE DISSEMINATED OR SHARED WITHOUT WRITTEN CONSENT.		SIZE	B	WEIGHT (lbs)	N/A
		SCALE	8:1	1/1	