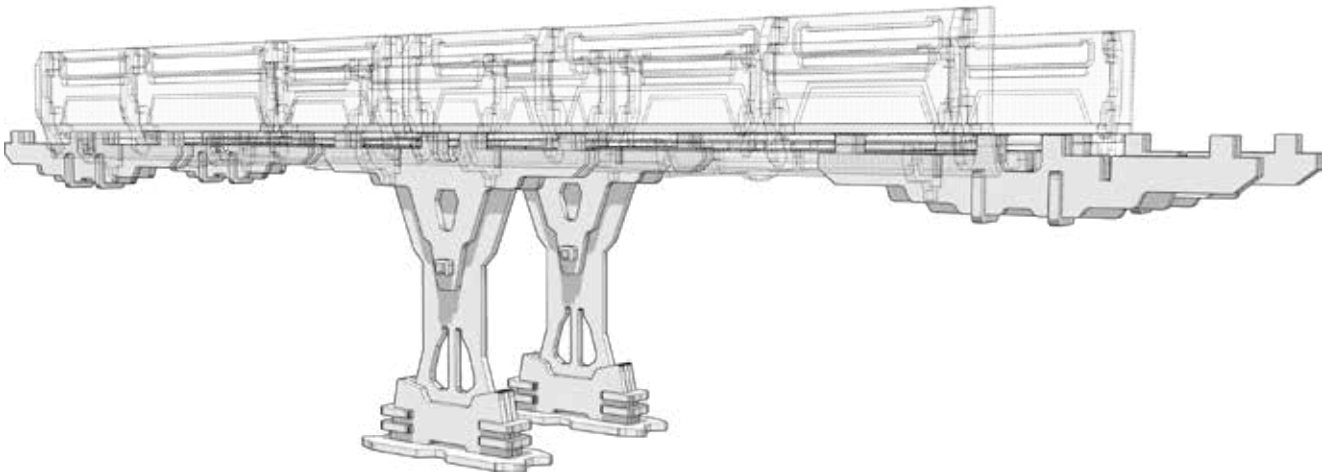




**TABLETOP  
SCENICS**

**TTSCW-SFU-124  
ELMOR:  
Skylevel Legs High**



 **TTCOMBAT**



# TABLETOP SCENICS

**TTSCW-SFU-124**  
**ELMOR:**  
**Skylevel Legs High**

**2**

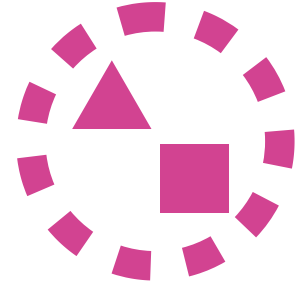
These are a series of icons that may be used throughout the instructions to help your assembly.  
If in doubt, scroll ahead to confirm.



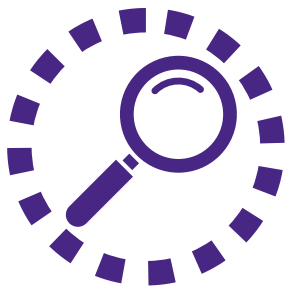
Do not glue this part



Carefully score and  
fold this part



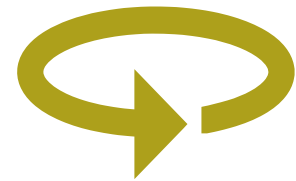
This part - or its placement is  
completely optional



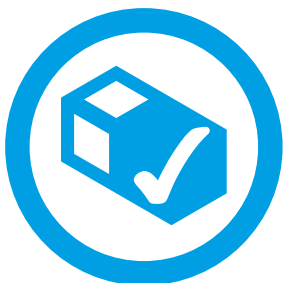
Look closely at this step -  
The process order or part  
used, may be specific



Repeat making this part  
the specified number  
of times



The next instruction step  
will be the same assembly  
so far, but from a different  
angle



Sub-assembly complete.  
This smaller construction  
is ready to add to the  
main kit



Assembly Complete! There  
could be more optional  
parts - check to the very end  
of instructions



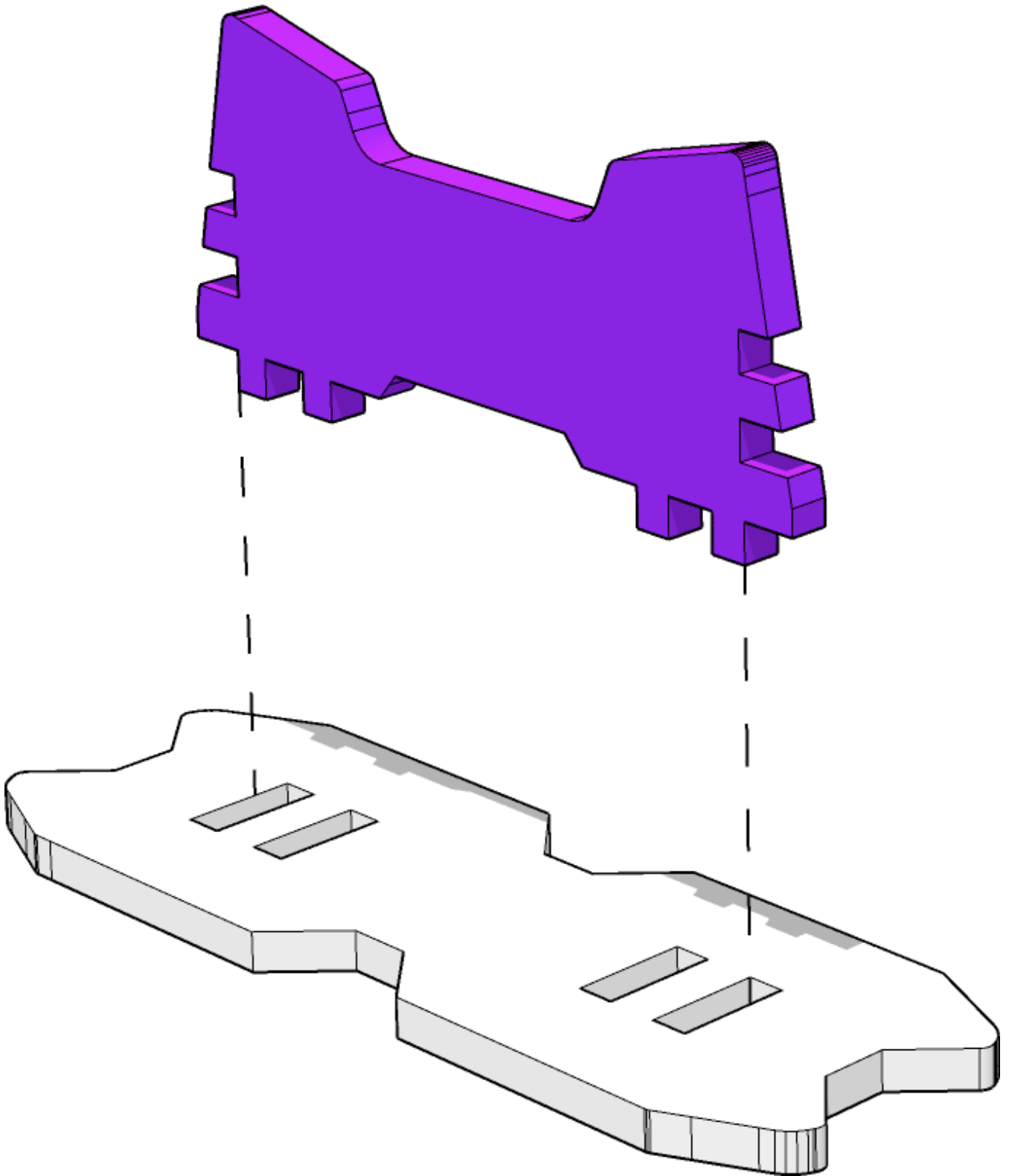
FRAGILE: DO NOT BEND.  
“Bendy wood” is designed to  
curve around a designed  
frame only.



# TABLETOP SCENICS

TTSCW-SFU-124  
ELMOR:  
Skylevel Legs High

3

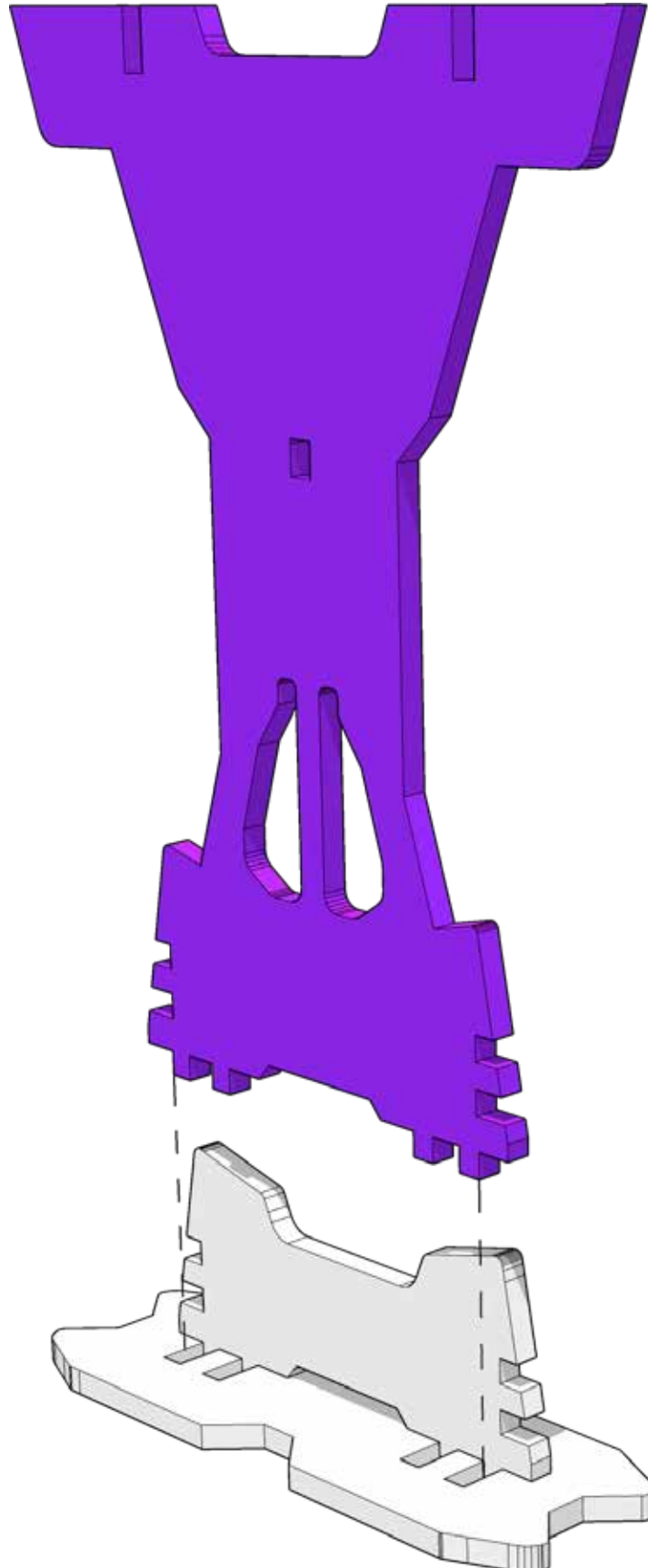




# TABLETOP SCENICS

**TTSCW-SFU-124**  
**ELMOR:**  
**Skylevel Legs High**

**4**

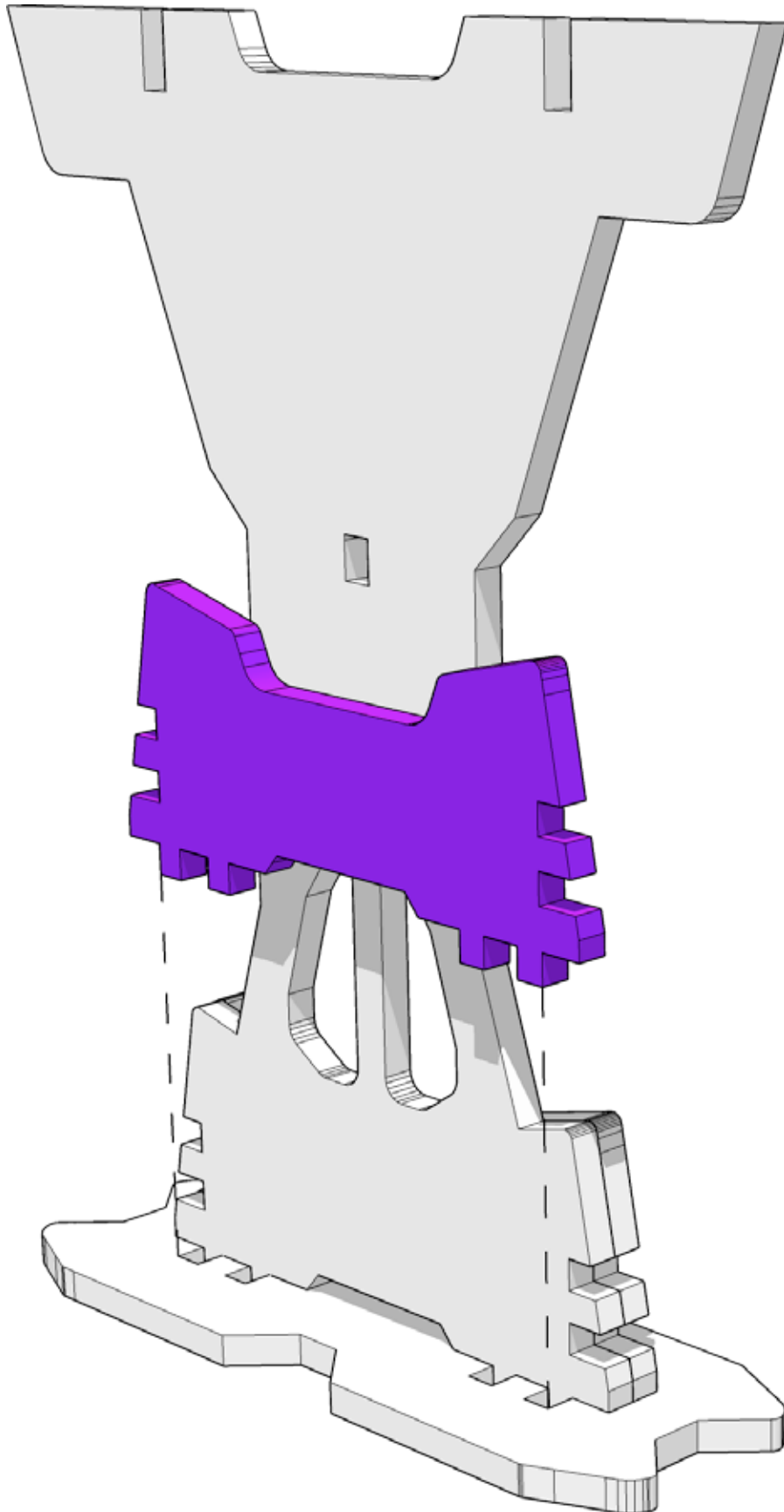




# TABLETOP SCENICS

TTSCW-SFU-124  
ELMOR:  
Skylevel Legs High

5

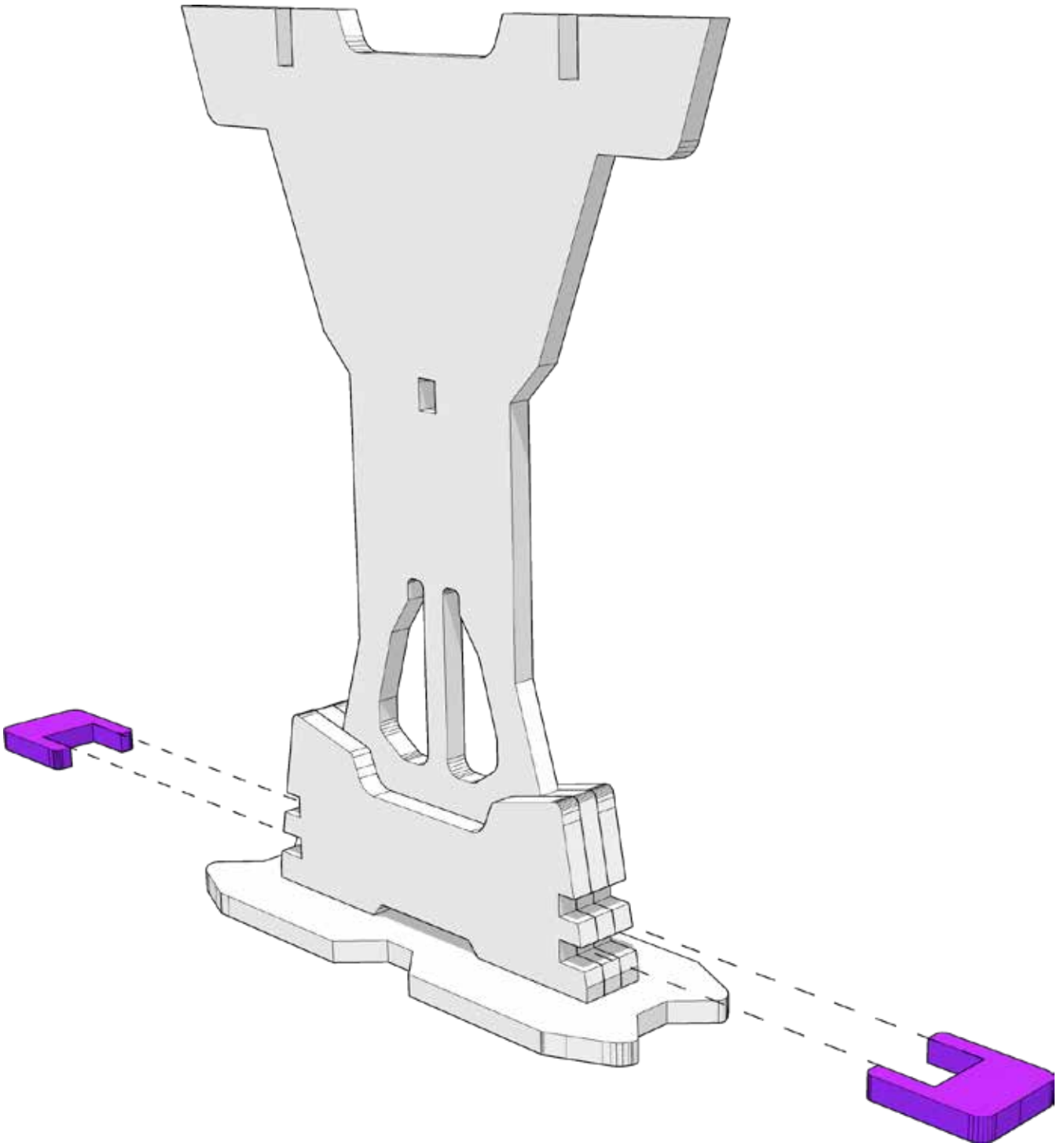




# TABLETOP SCENICS

**TTSCW-SFU-124**  
**ELMOR:**  
**Skylevel Legs High**

**6**

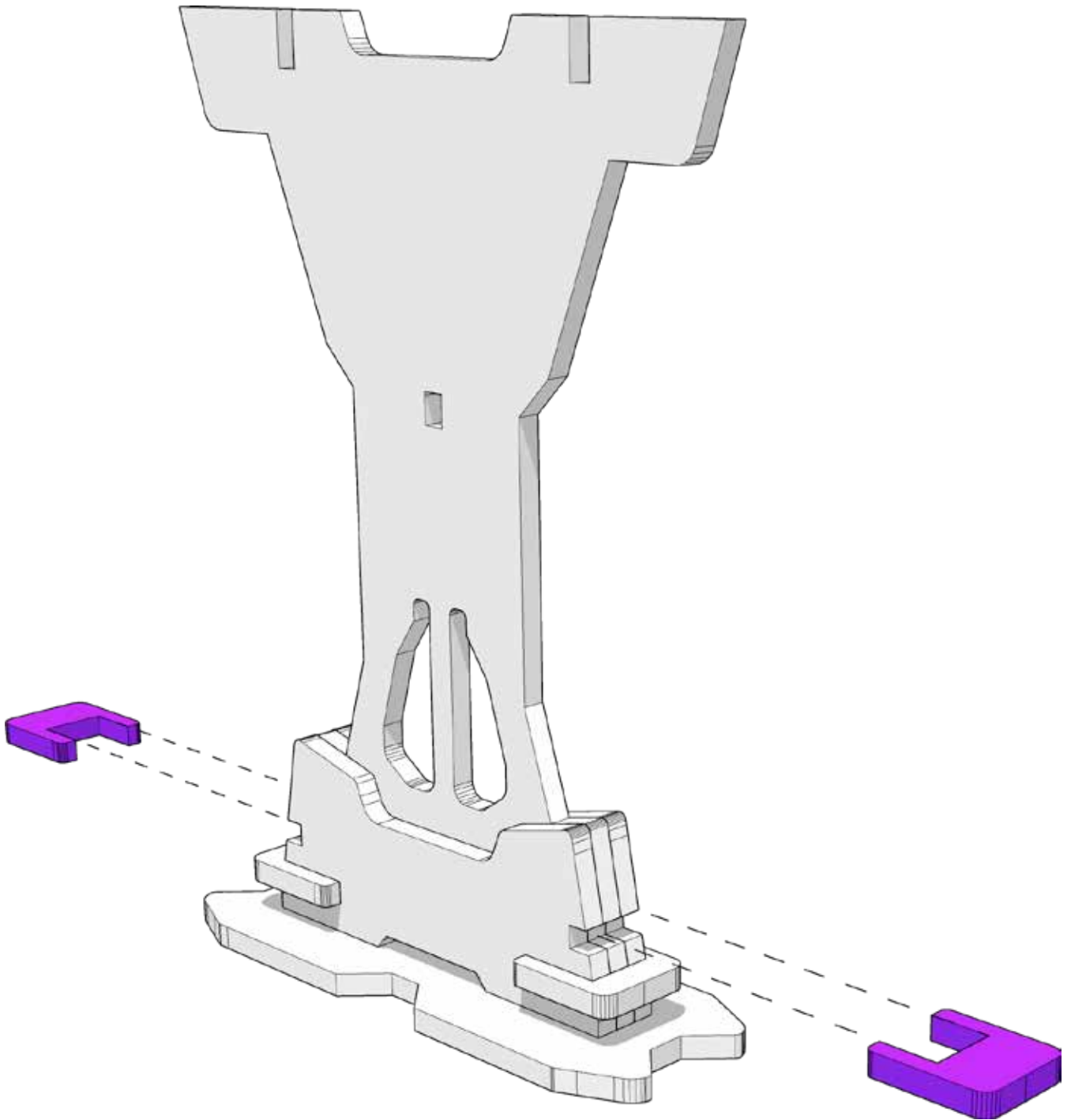




# TABLETOP SCENICS

**TTSCW-SFU-124**  
**ELMOR:**  
**Skylevel Legs High**

**7**

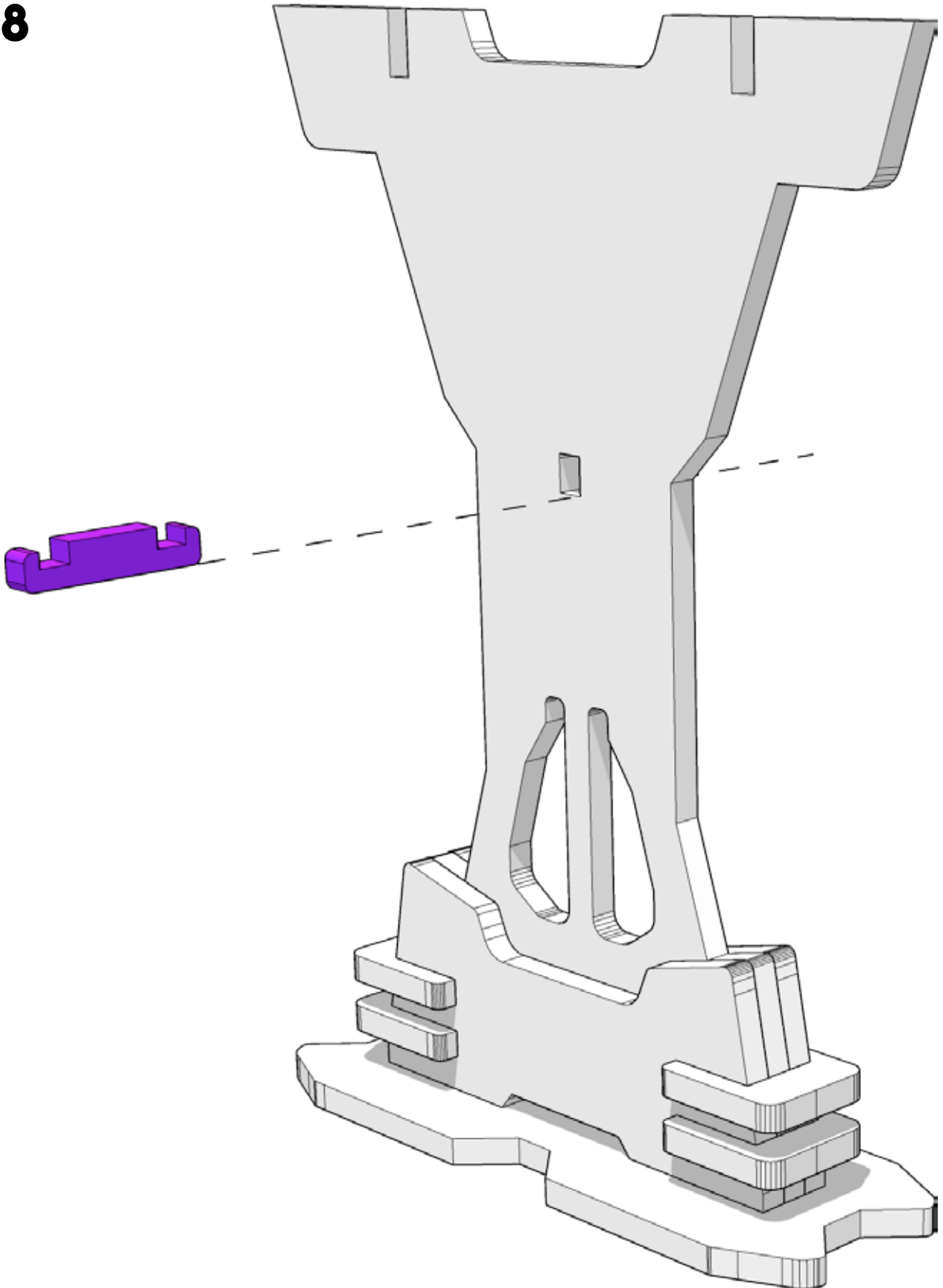




# TABLETOP SCENICS

**TTSCW-SFU-124**  
**ELMOR:**  
**Skylevel Legs High**

**8**



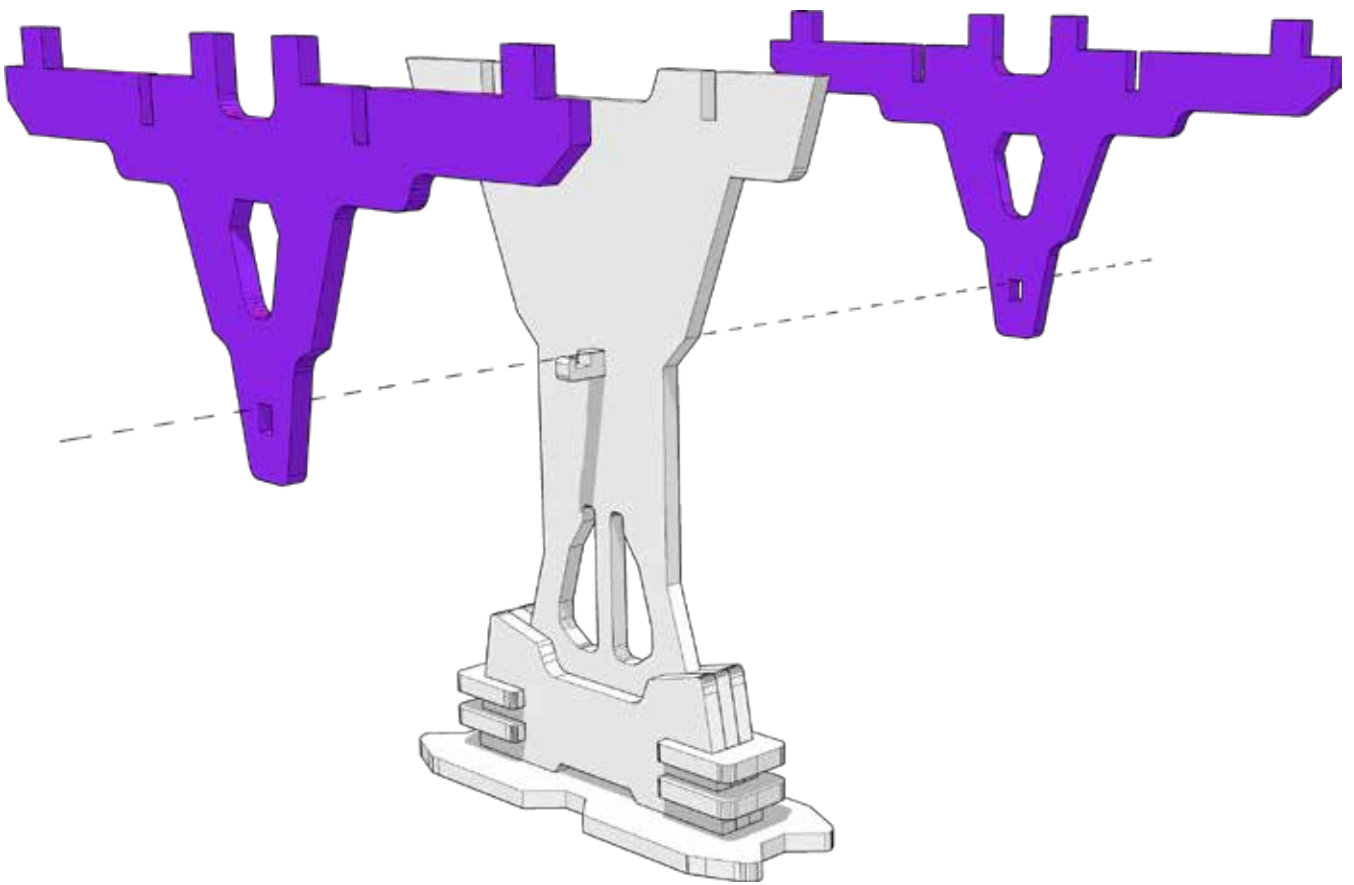




# TABLETOP SCENICS

**TTSCW-SFU-124**  
**ELMOR:**  
**Skylevel Legs High**

**9**

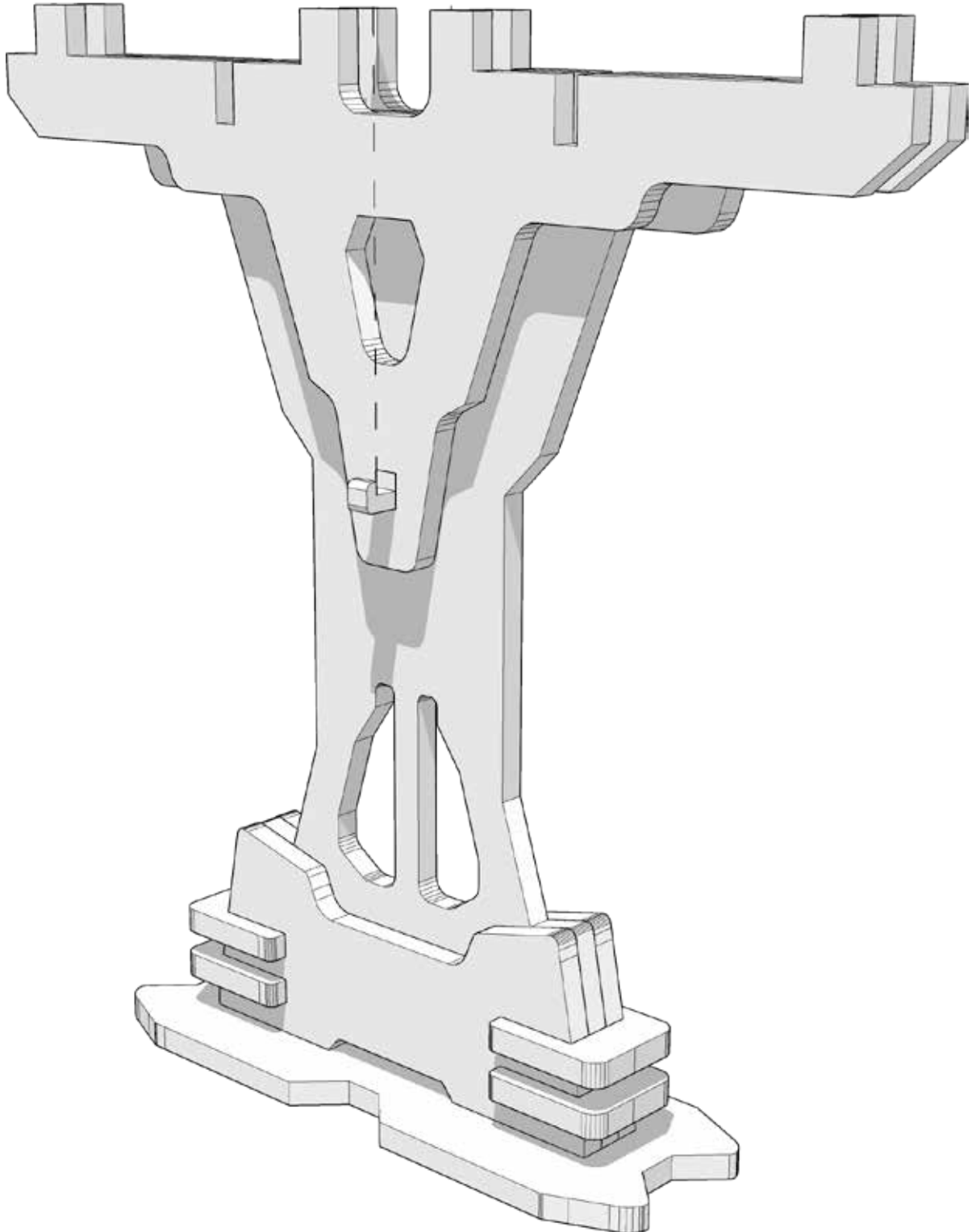
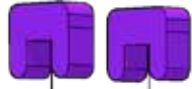




# TABLETOP SCENICS

**TTSCW-SFU-124**  
**ELMOR:**  
**Skylevel Legs High**

**10**

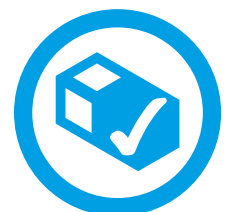
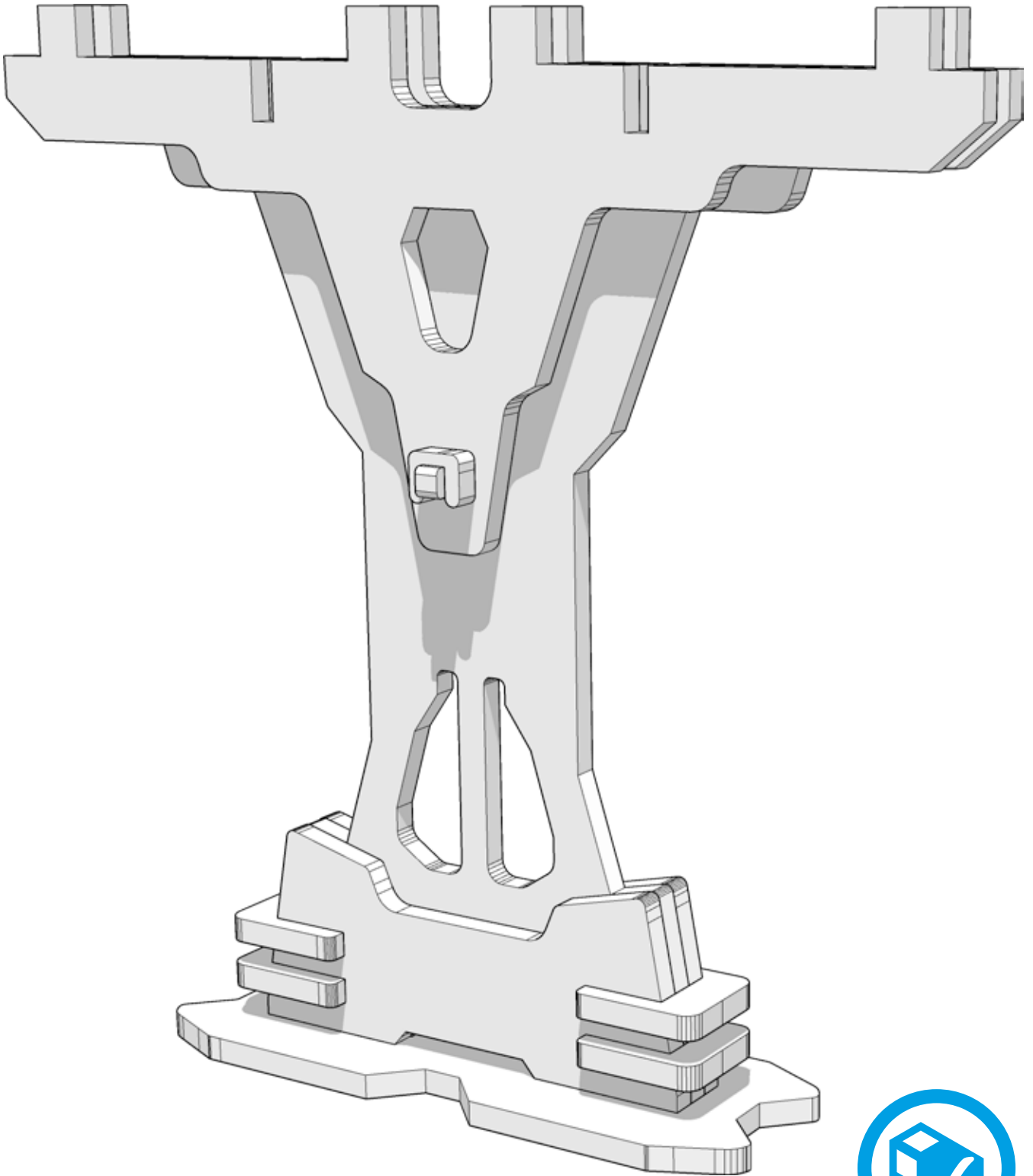




# TABLETOP SCENICS

TTSCW-SFU-124  
ELMOR:  
Skylevel Legs High

11



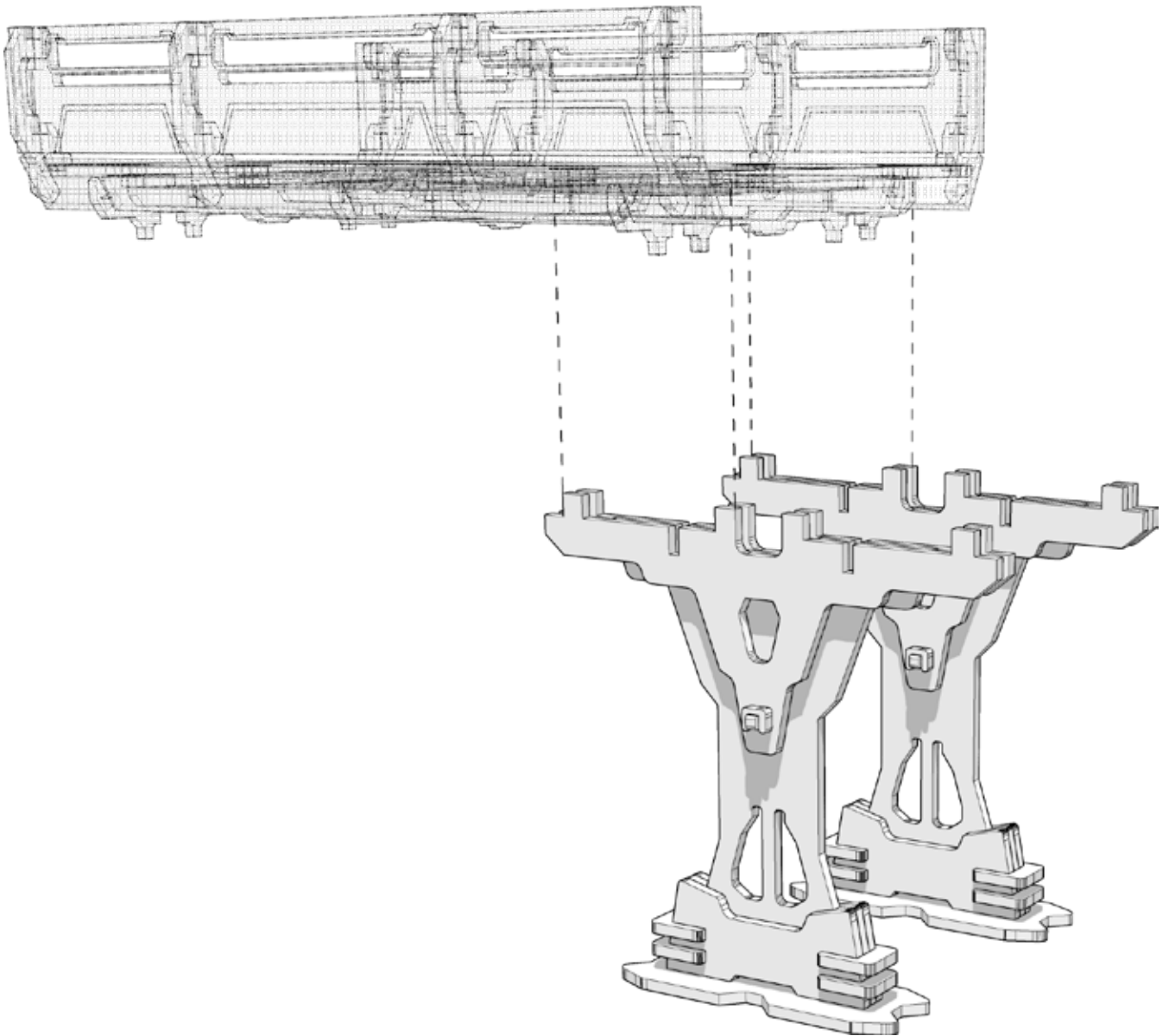
 **TTCOMBAT**



# TABLETOP SCENICS

12

**TTSCW-SFU-124**  
**ELMOR:**  
**Skylevel Legs High**



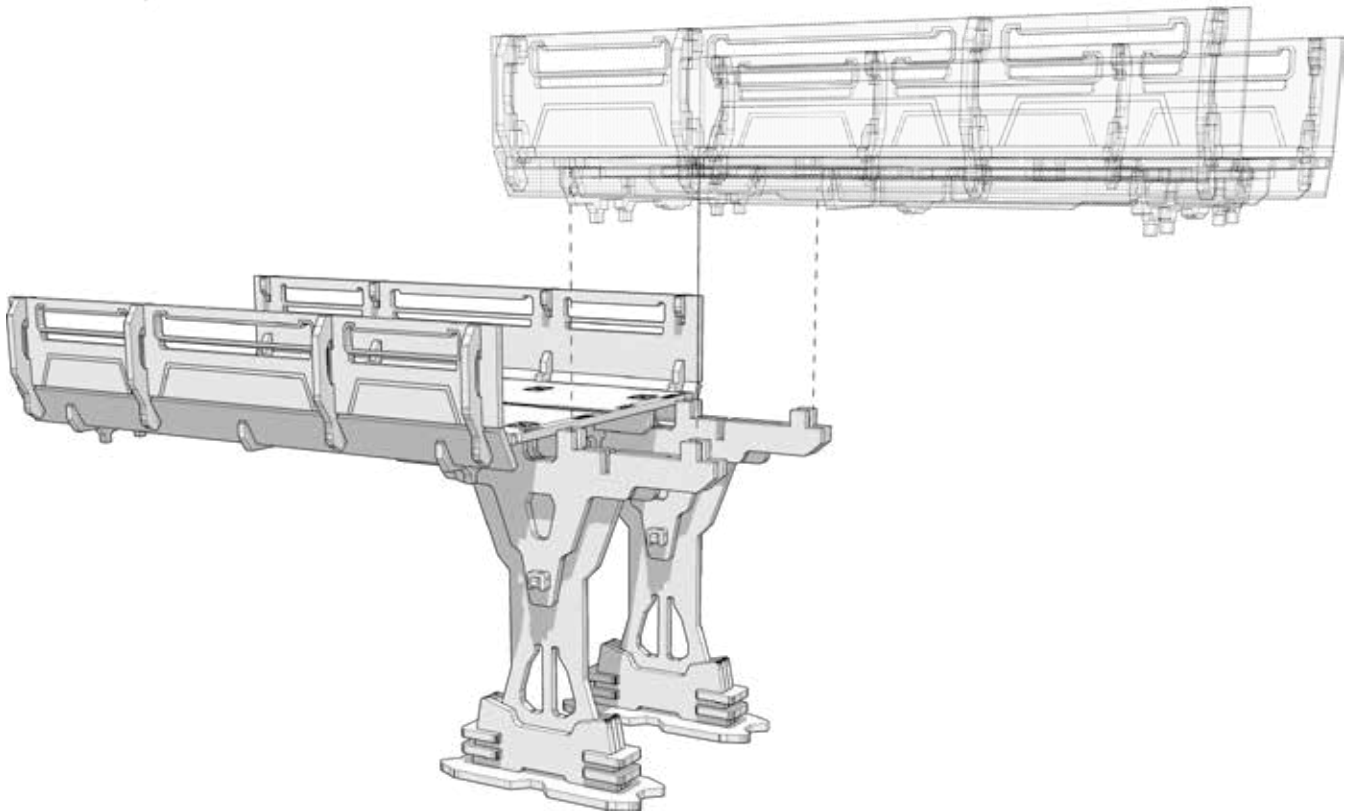
High legs replace the standard legs  
on the low straight roads



# TABLETOP SCENICS

**TTSCW-SFU-124**  
**ELMOR:**  
**Skylevel Legs High**

**13**

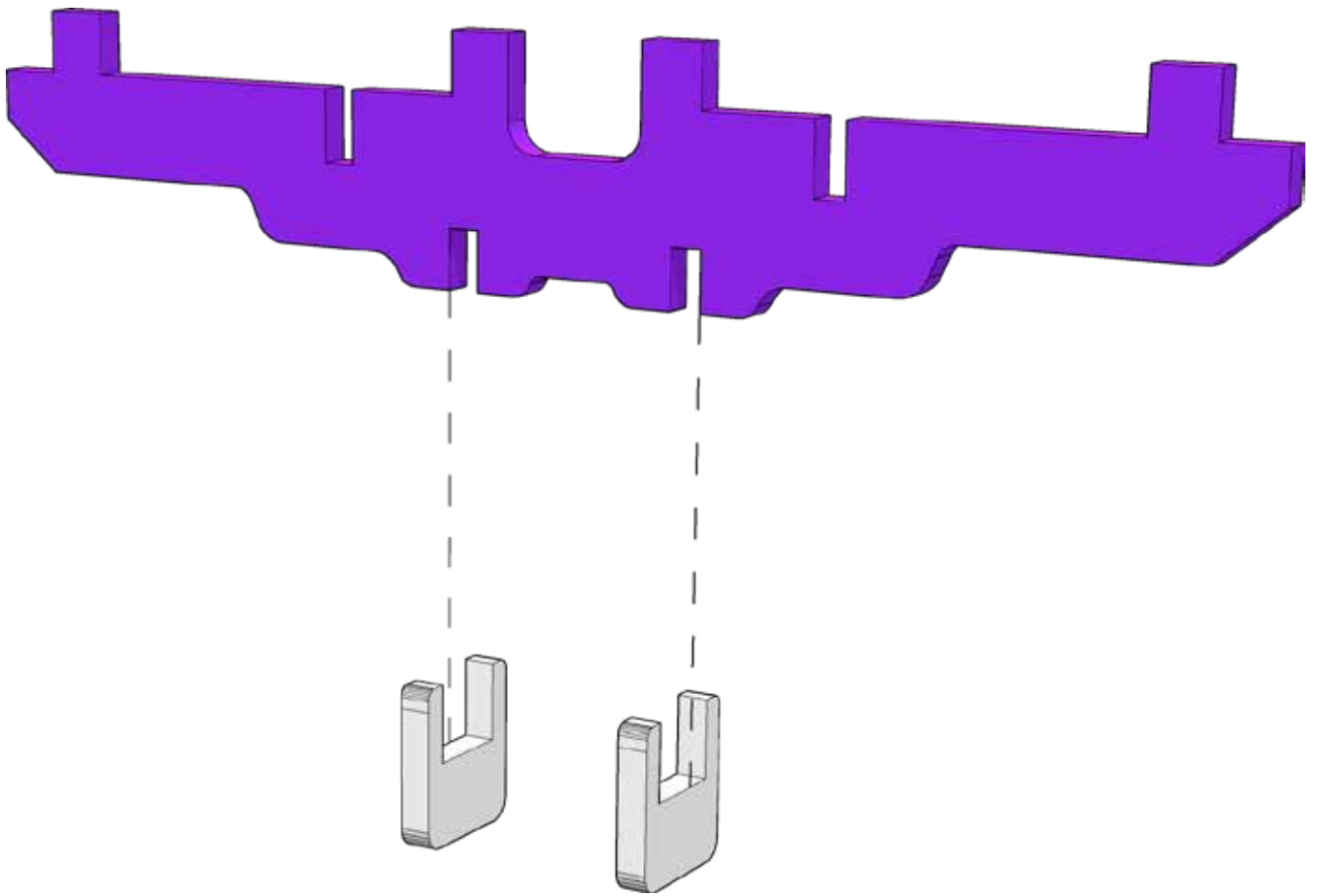




# TABLETOP SCENICS

**TTSCW-SFU-124**  
**ELMOR:**  
**Skylevel Legs High**

**14**

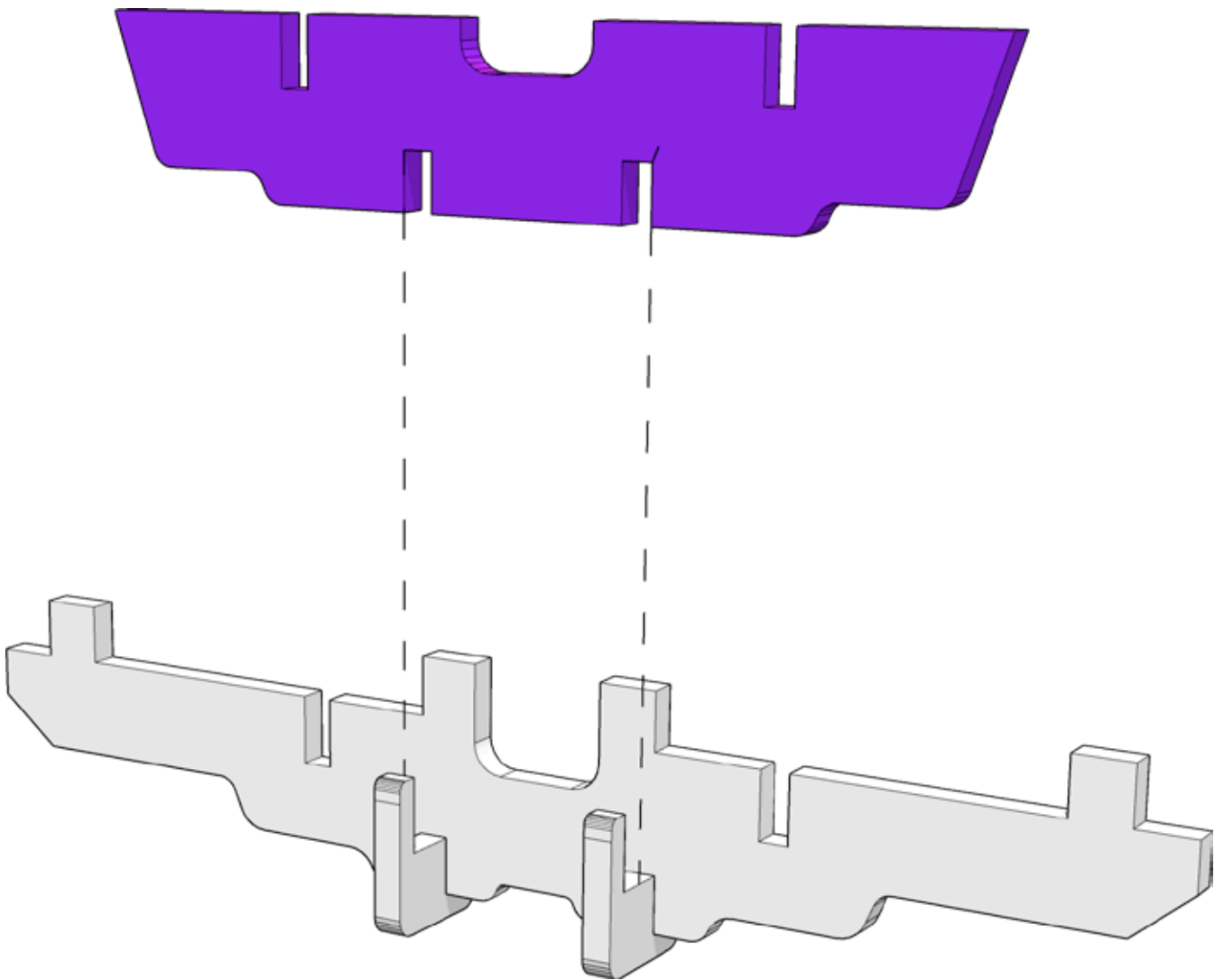




# TABLETOP SCENICS

**TTSCW-SFU-124**  
**ELMOR:**  
**Skylevel Legs High**

**15**

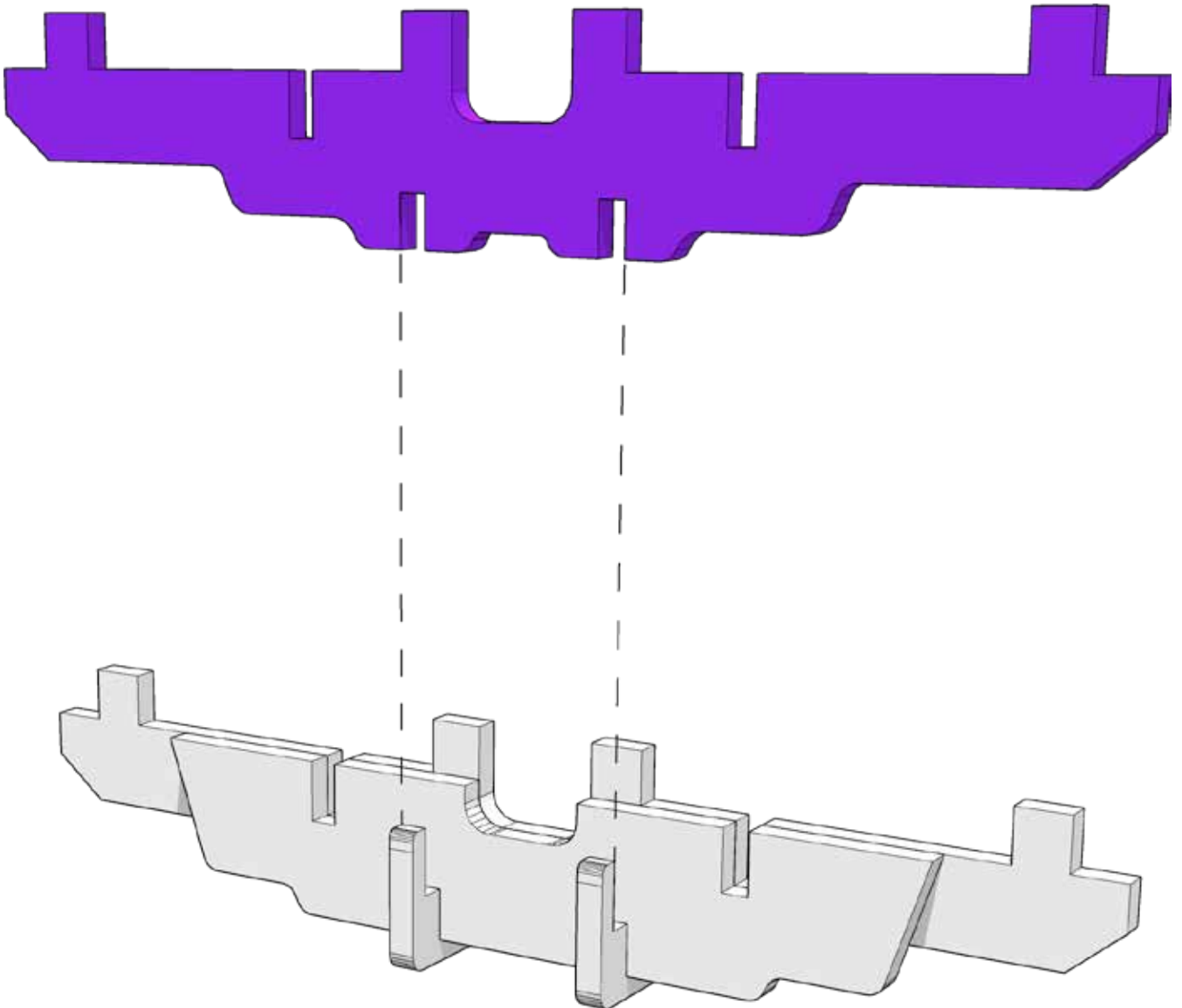




# TABLETOP SCENICS

**TTSCW-SFU-124**  
**ELMOR:**  
**Skylevel Legs High**

**16**



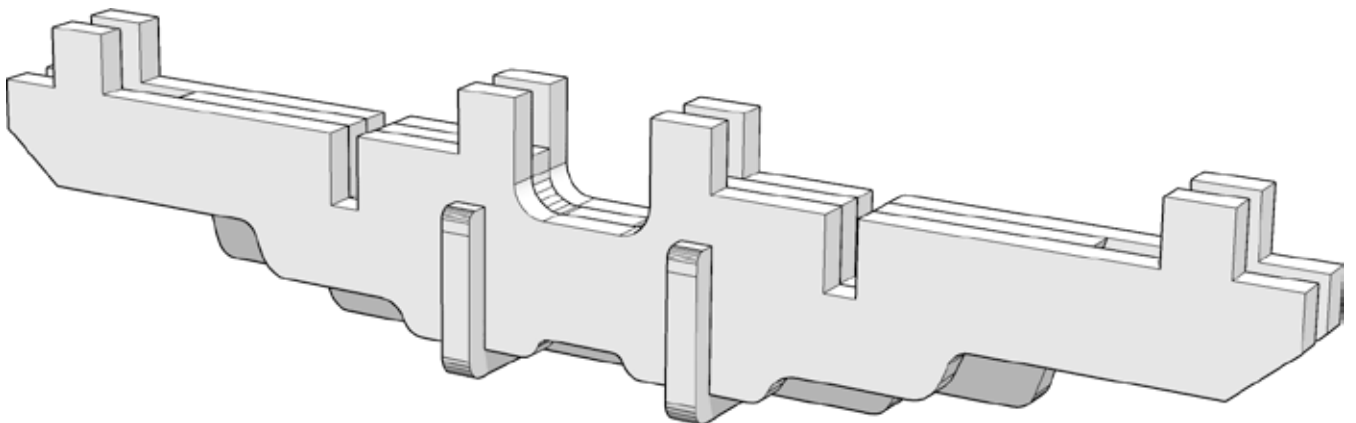




# TABLETOP SCENICS

**TTSCW-SFU-124**  
**ELMOR:**  
**Skylevel Legs High**

**17**



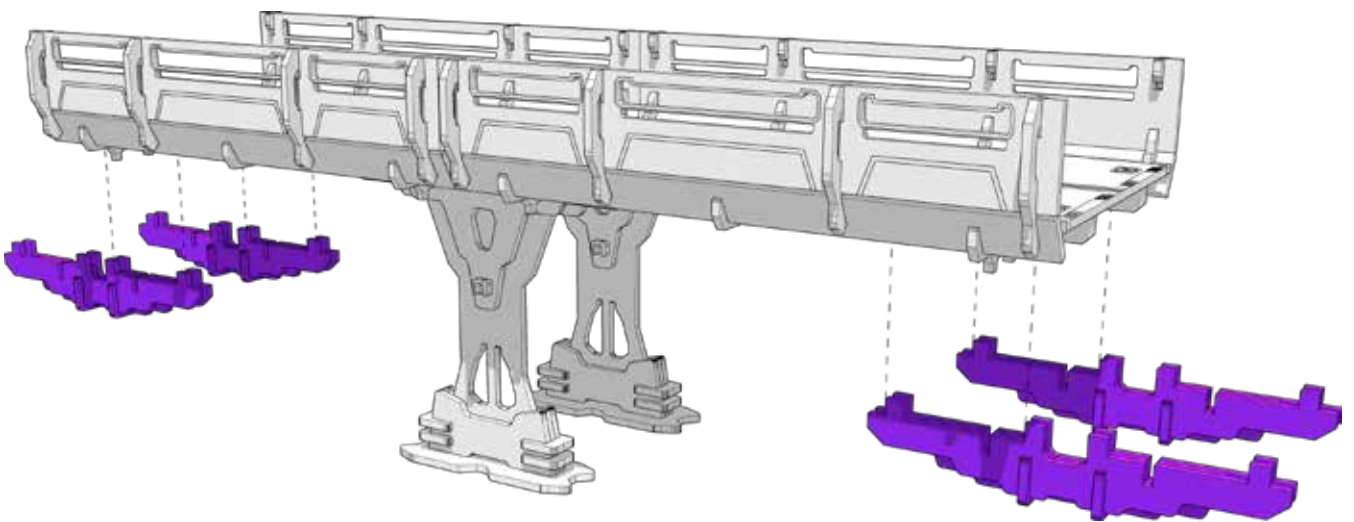
**x4**



# TABLETOP SCENICS

**TTSCW-SFU-124**  
**ELMOR:**  
**Skylevel Legs High**

**18**



Connectors replace the standard  
legs on the low straight roads





# TABLETOP SCENICS

**TTSCW-SFU-124**  
**ELMOR:**  
**Skylevel Legs High**

**19**

