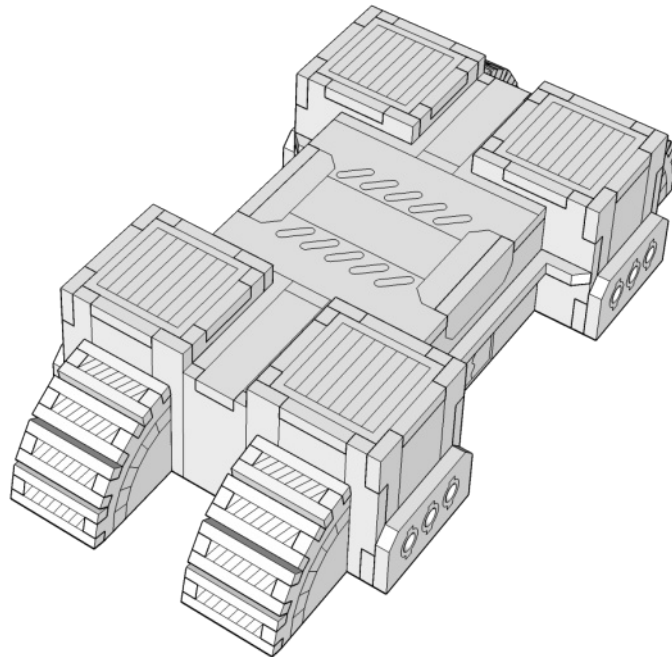
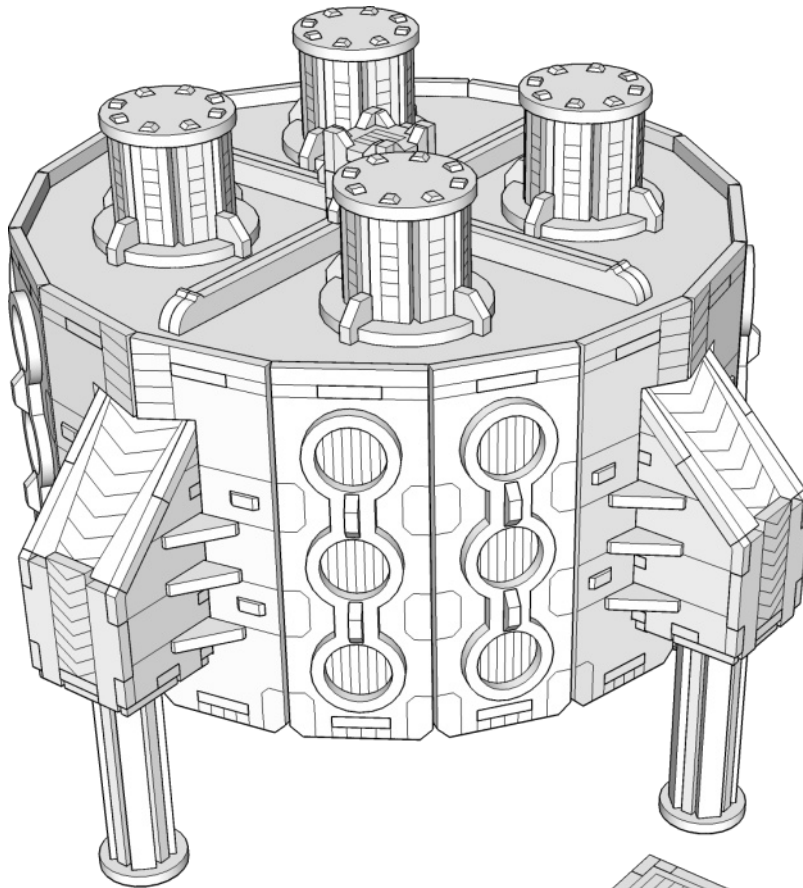




**TABLETOP
SCENICS**

**TTSC-SFX-078
Ashford
Pressureworks**



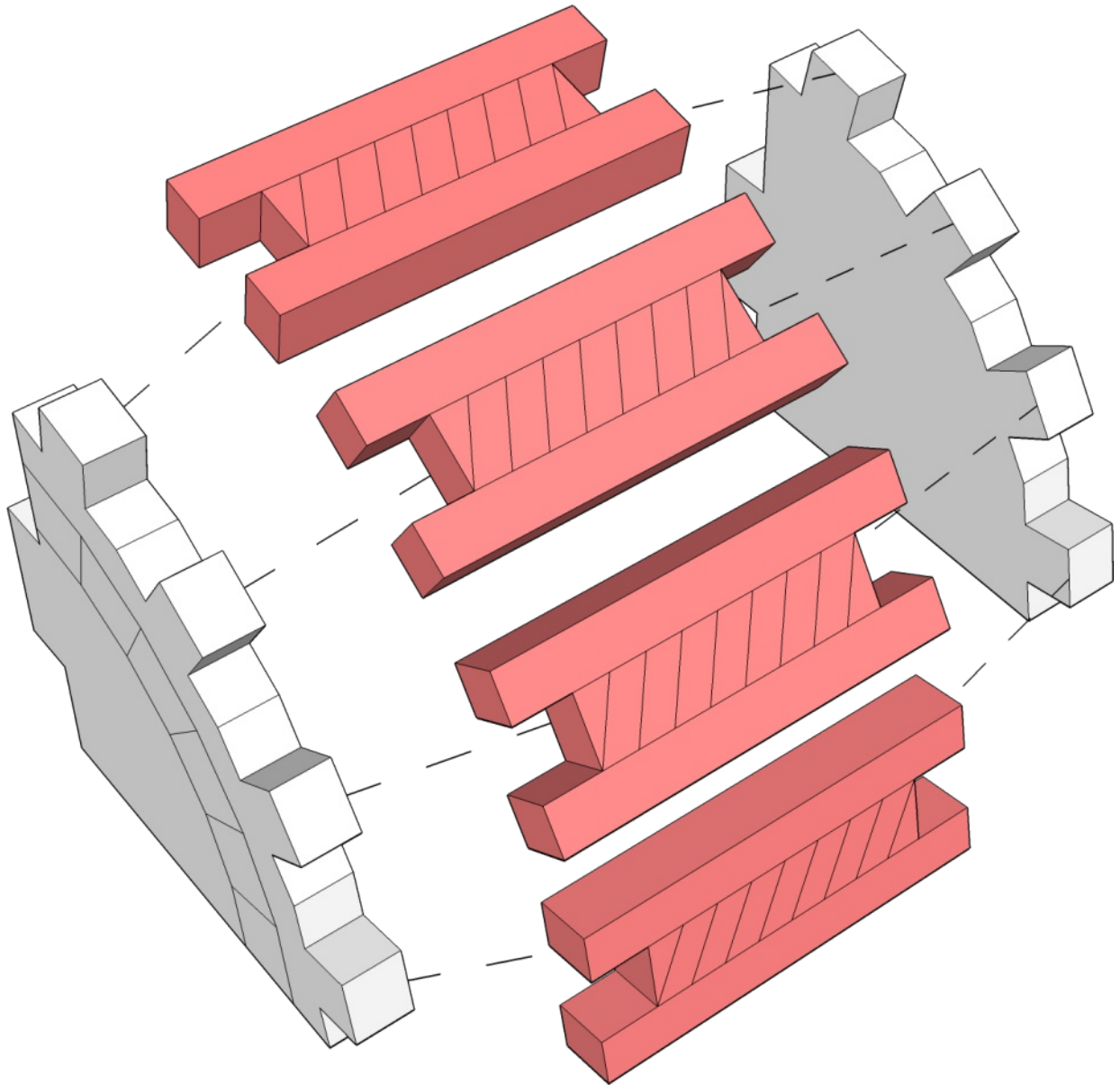
TTCOMBAT



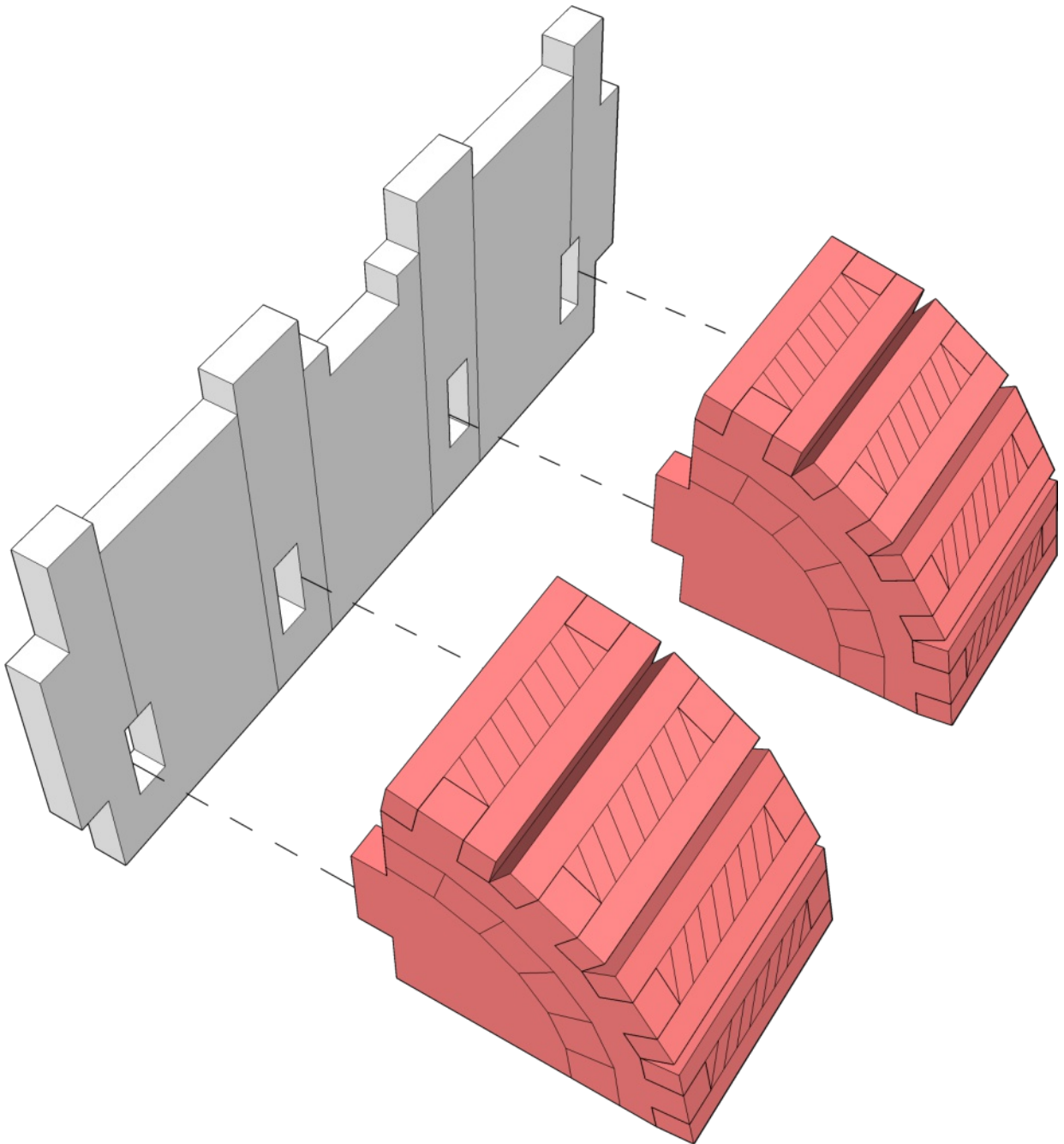
TABLETOP
SCENICS

TTSC-SFX-078
Ashford
Pressureworks

1

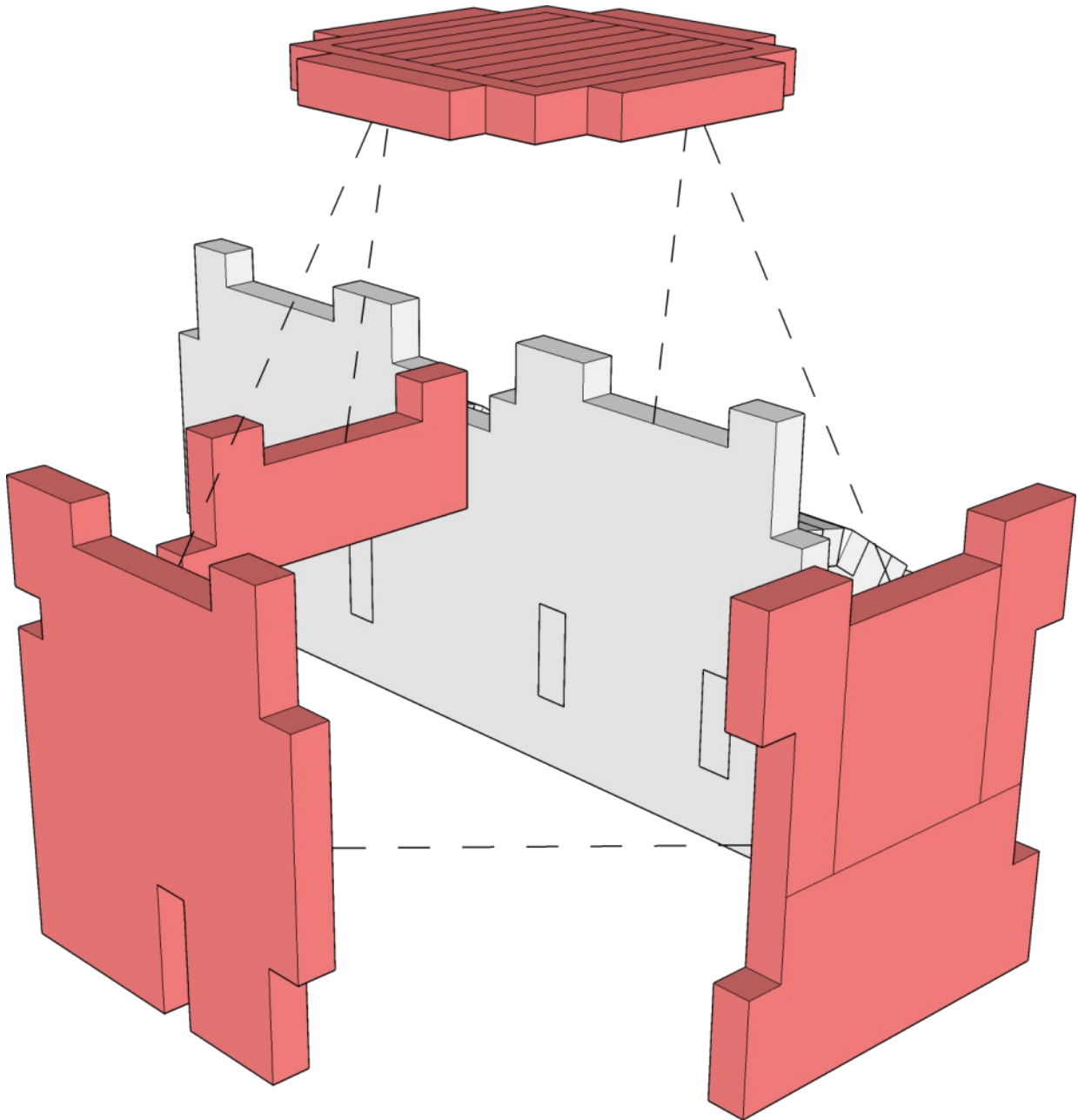


x4



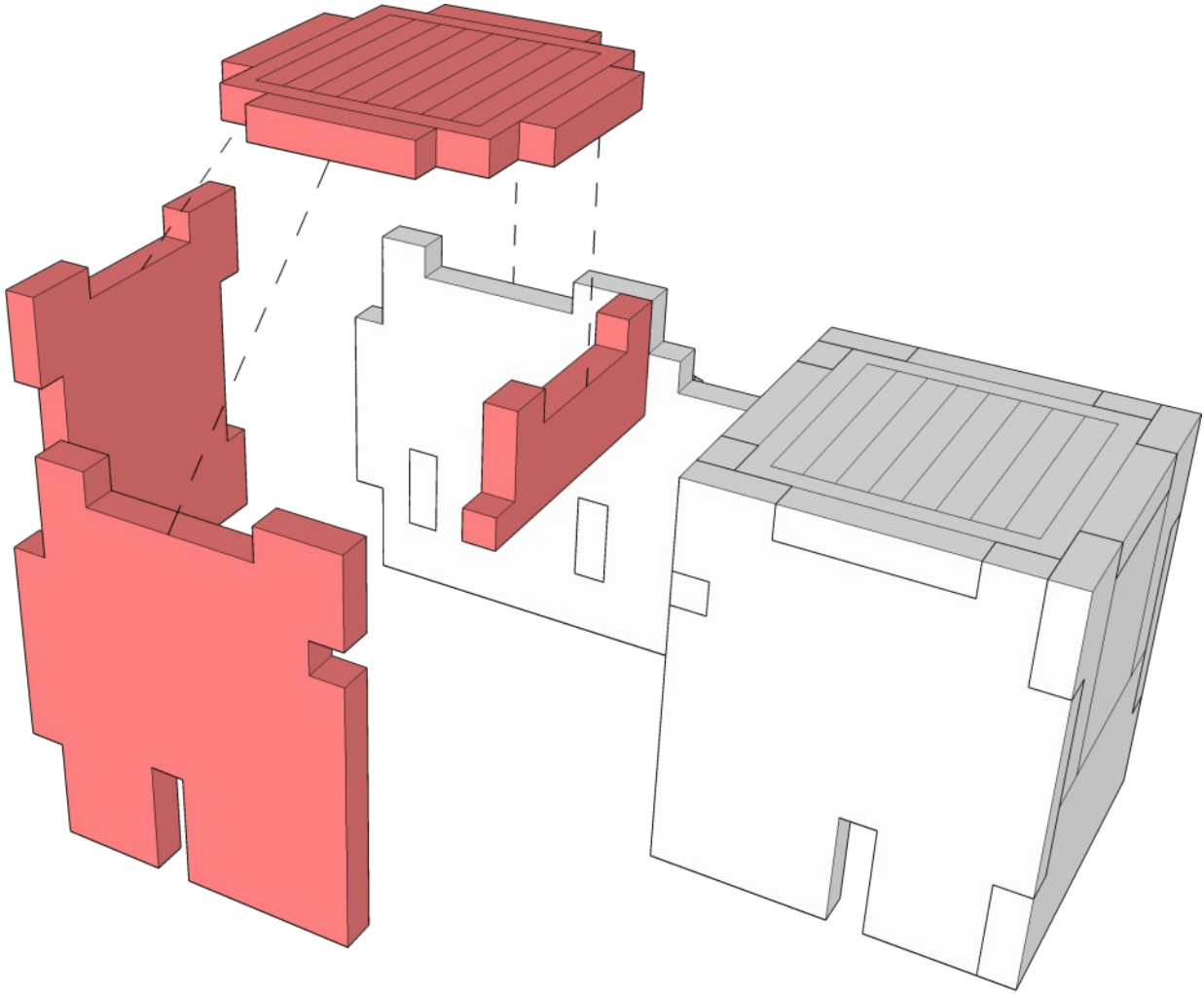


3





4

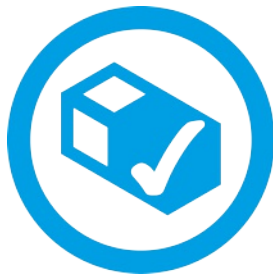
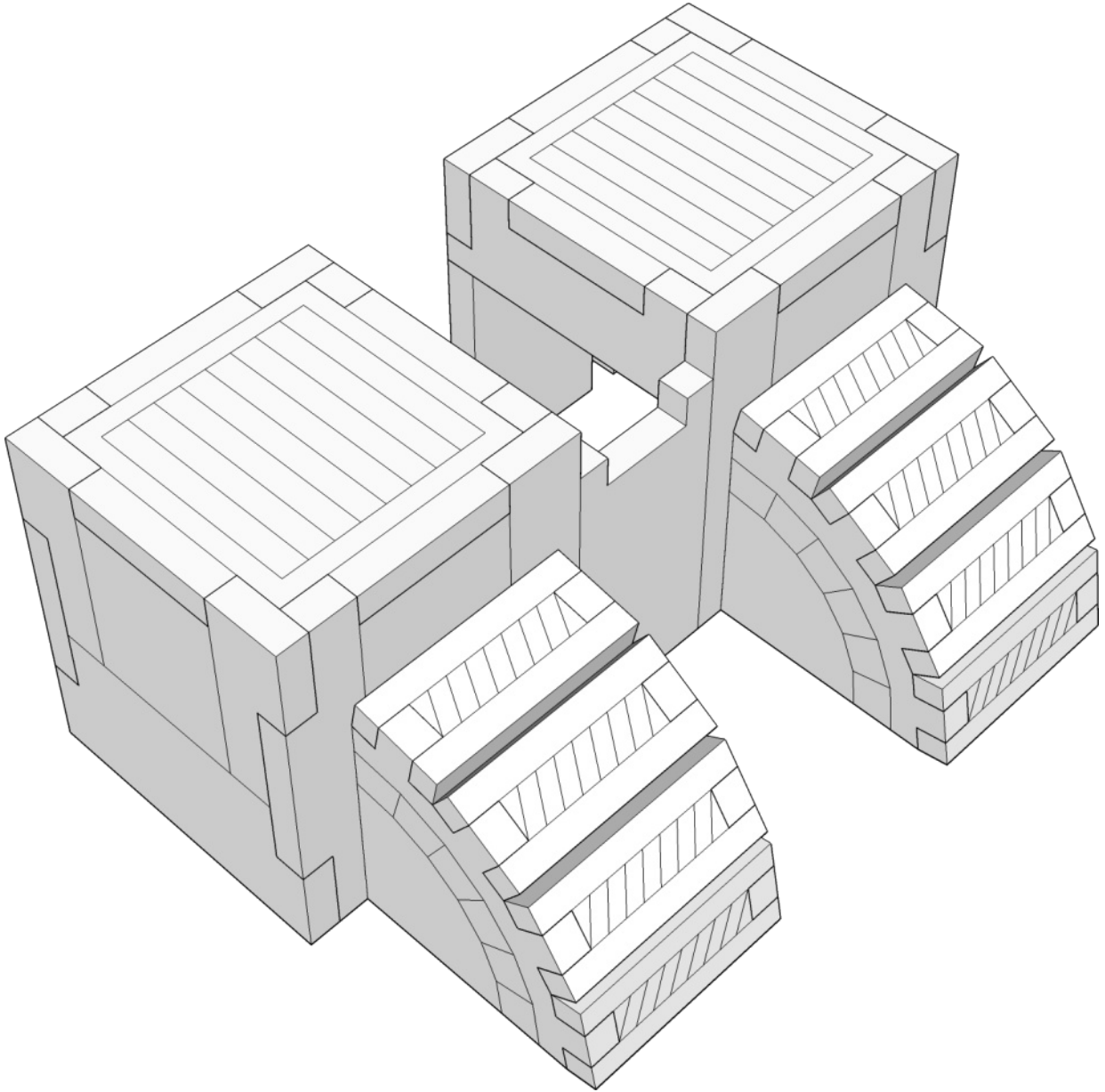


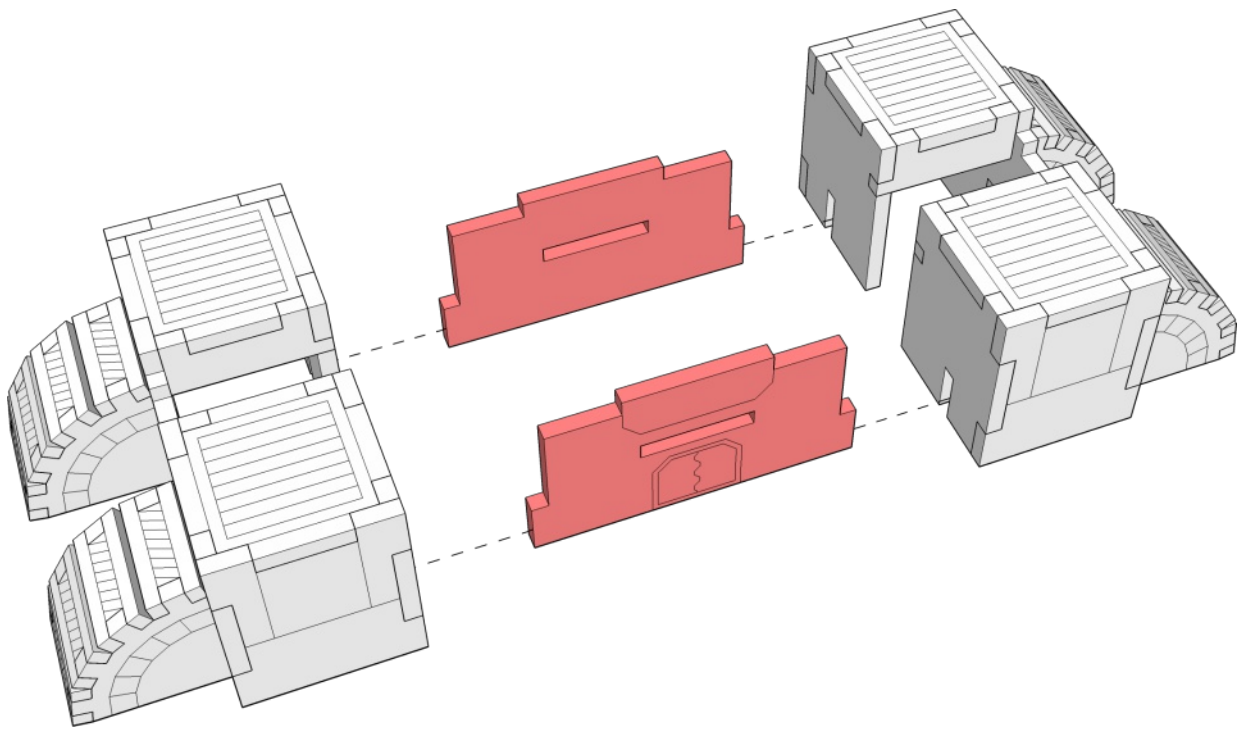


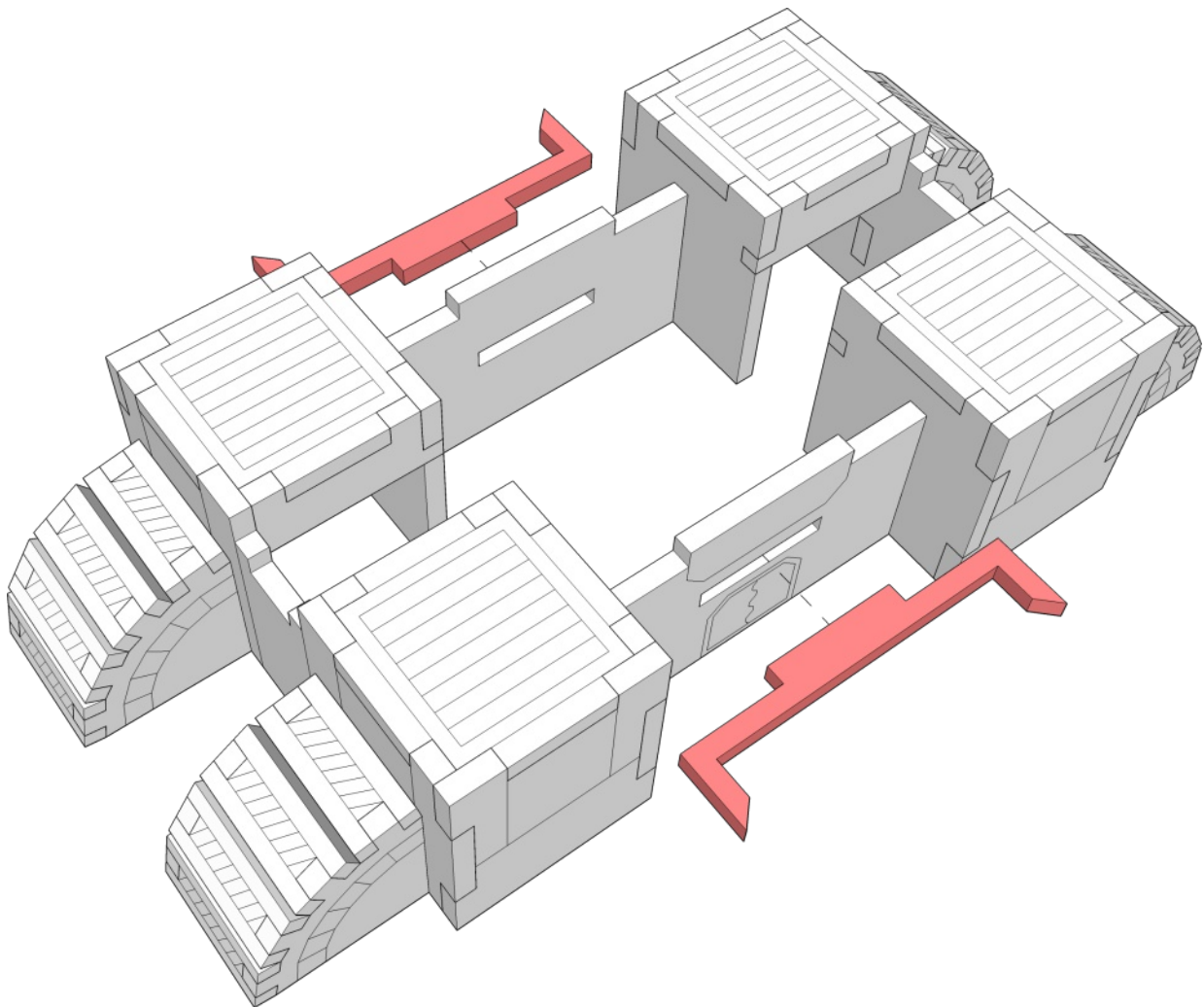
TABLETOP SCENICS

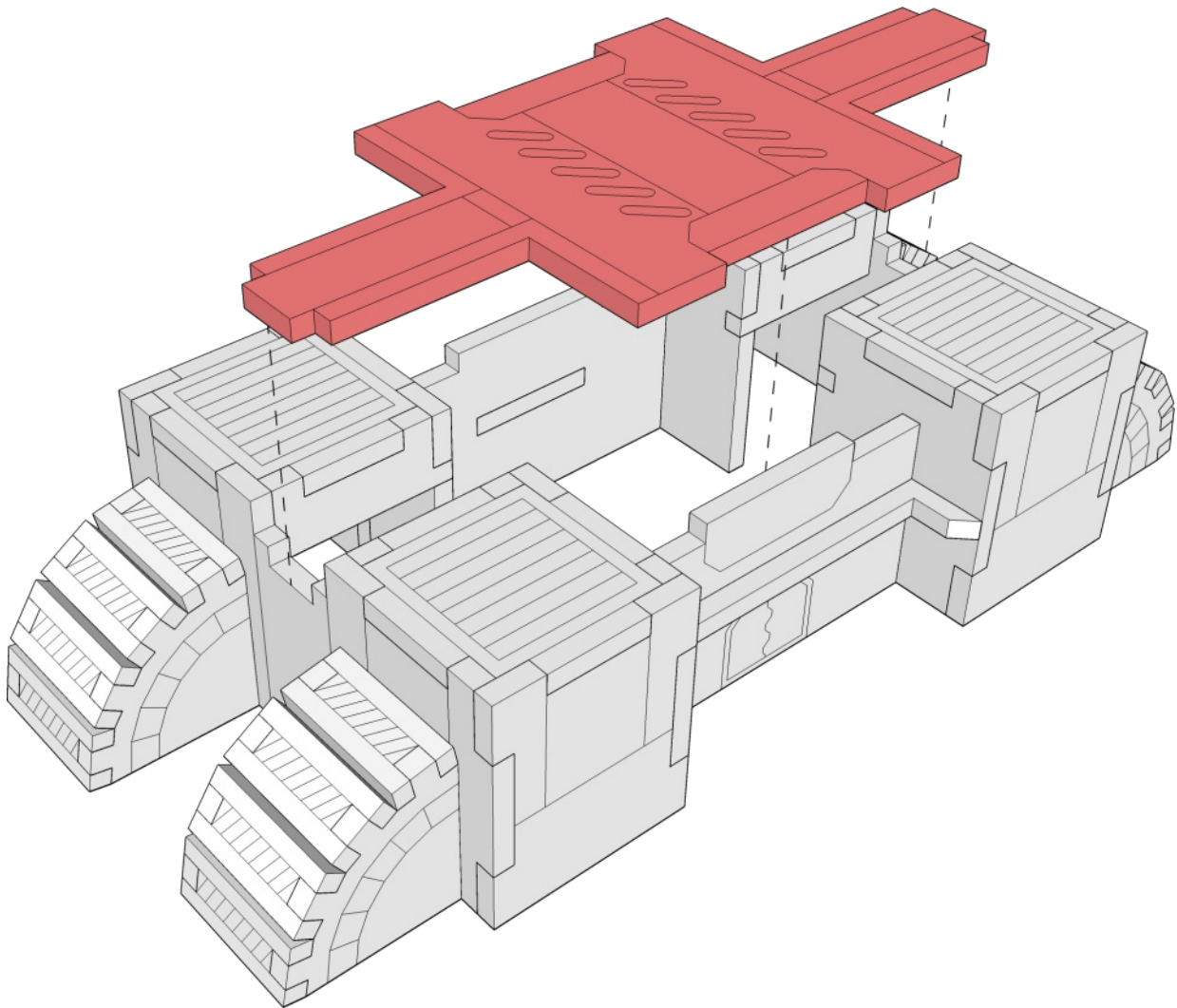
TTSC-SFX-078
Ashford
Pressureworks

5







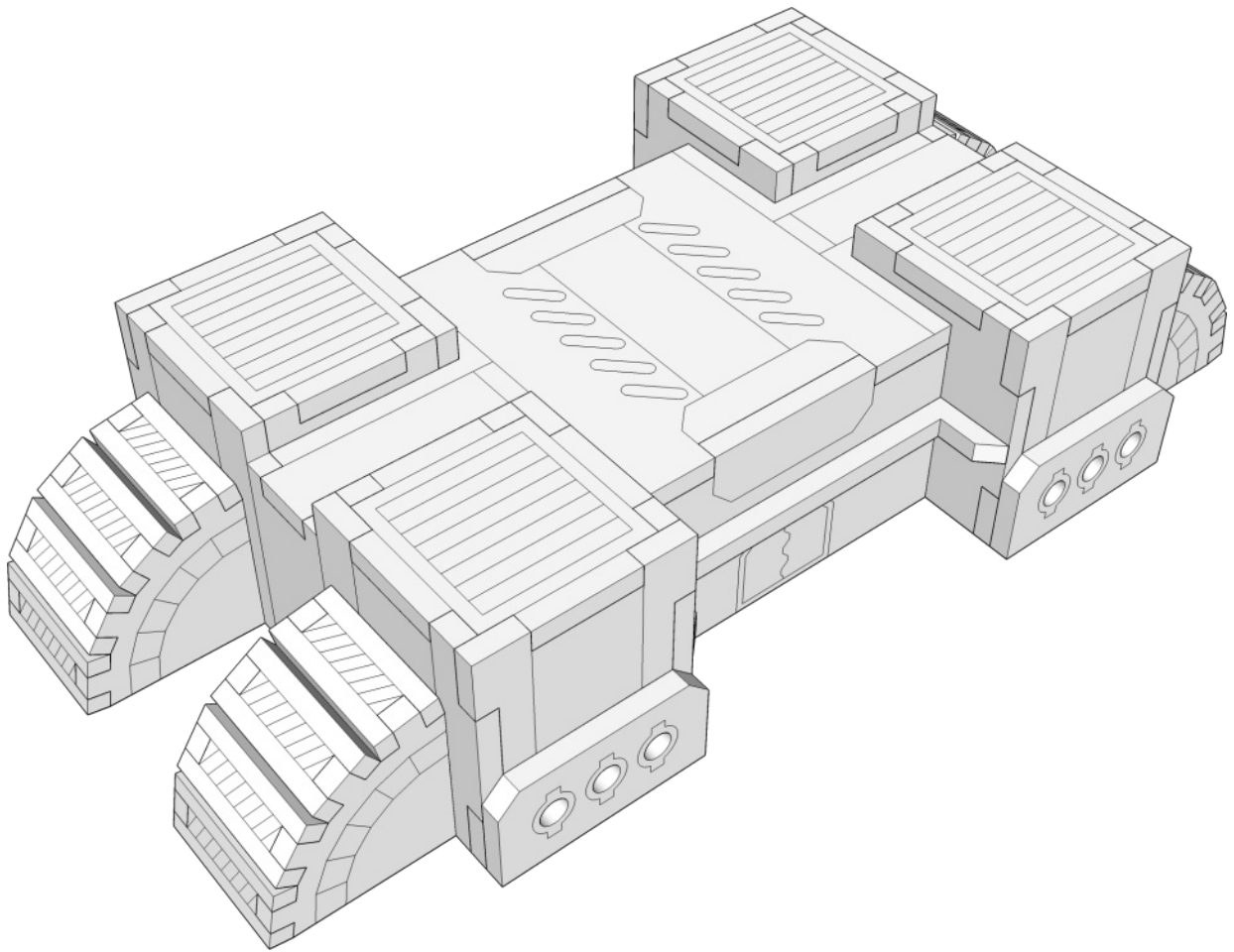


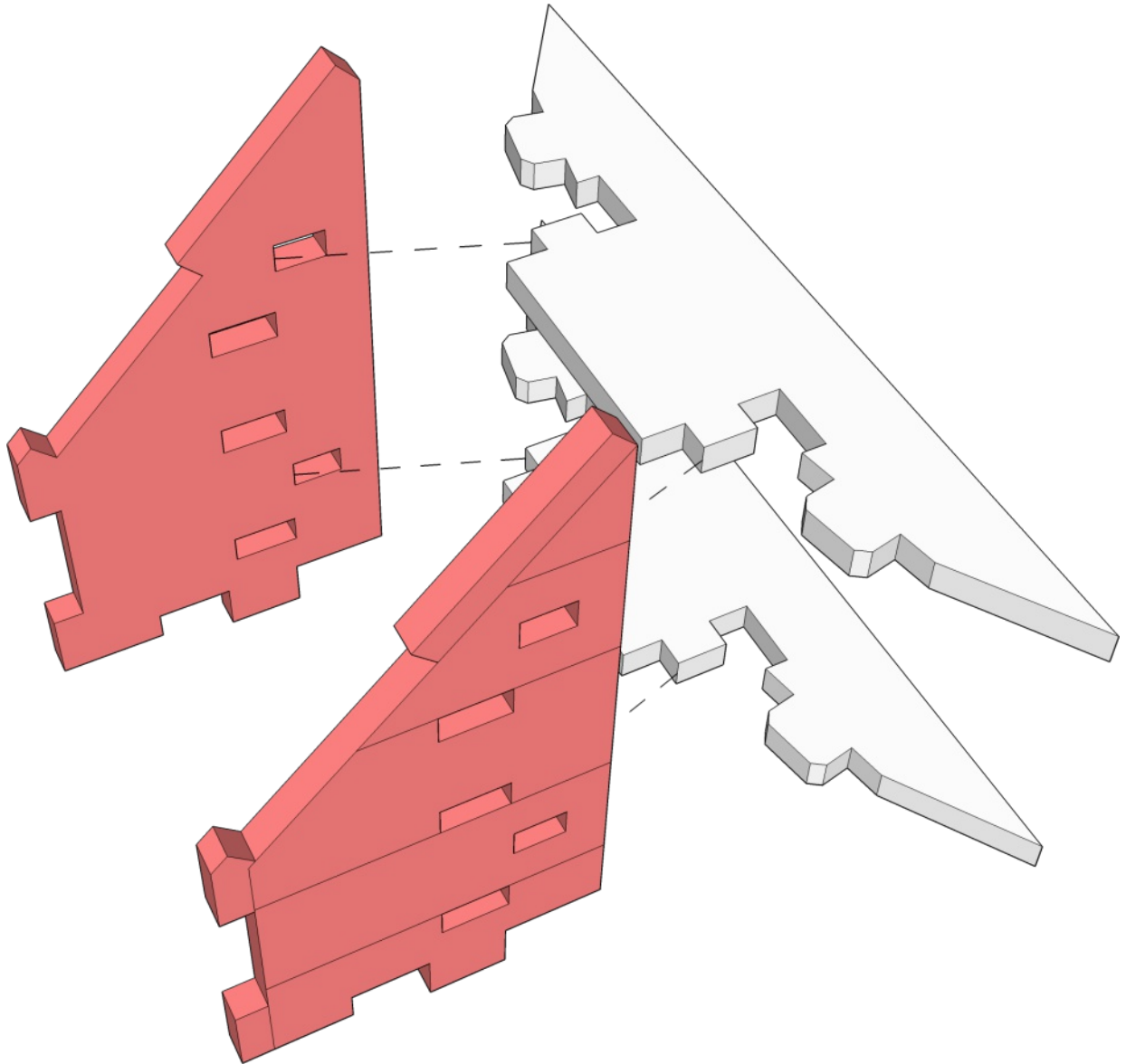


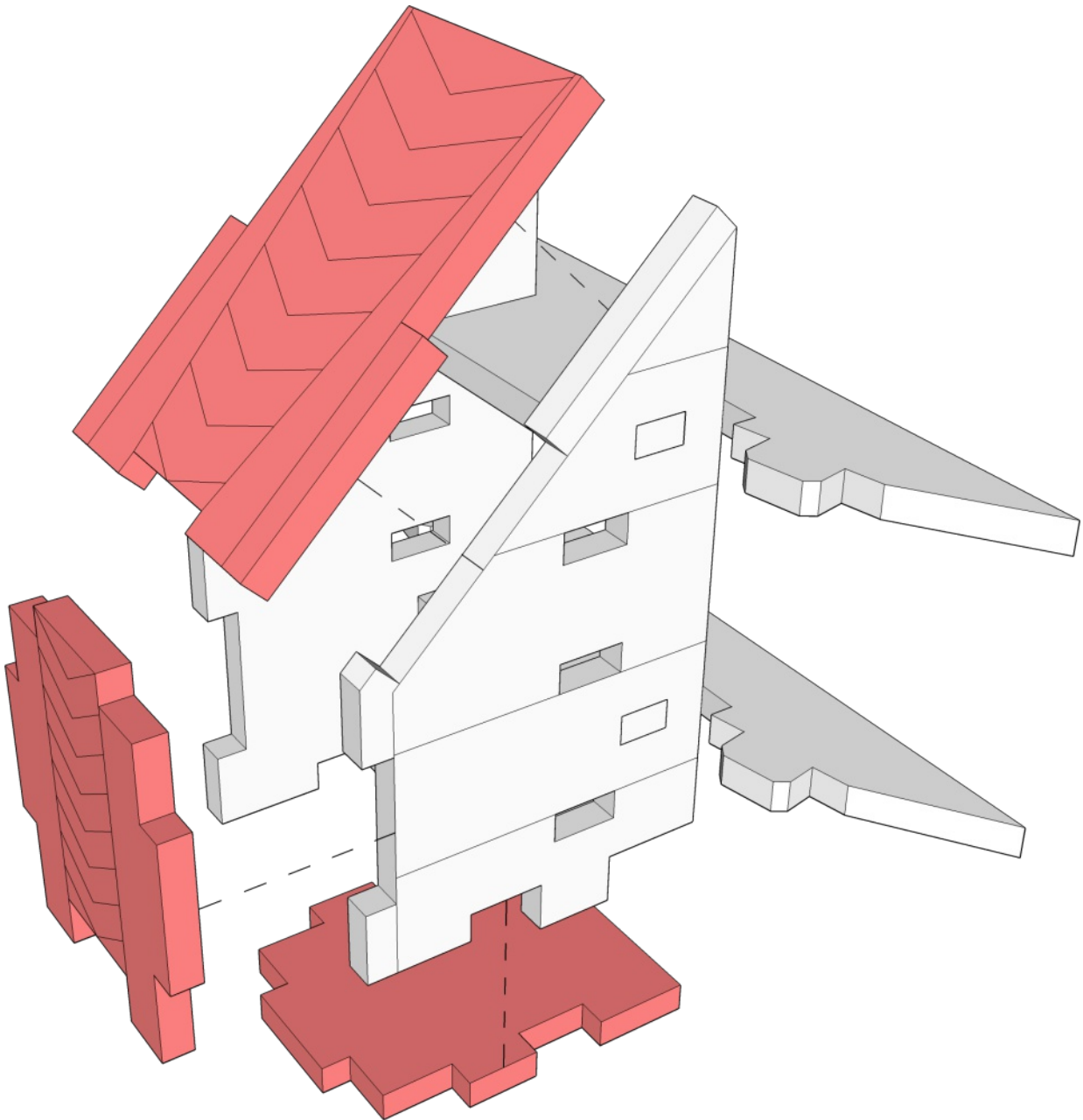
TABLETOP SCENICS

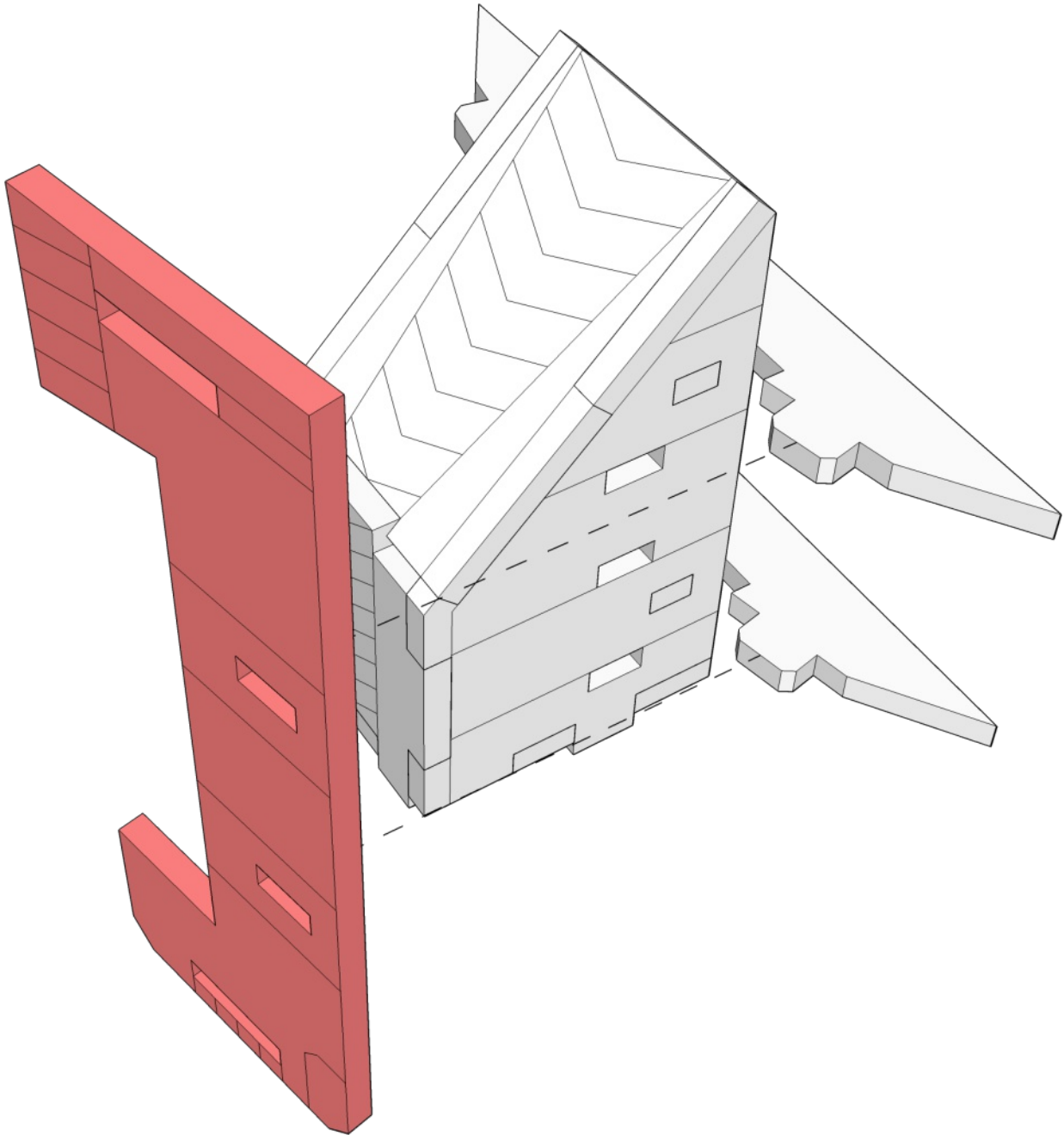
10

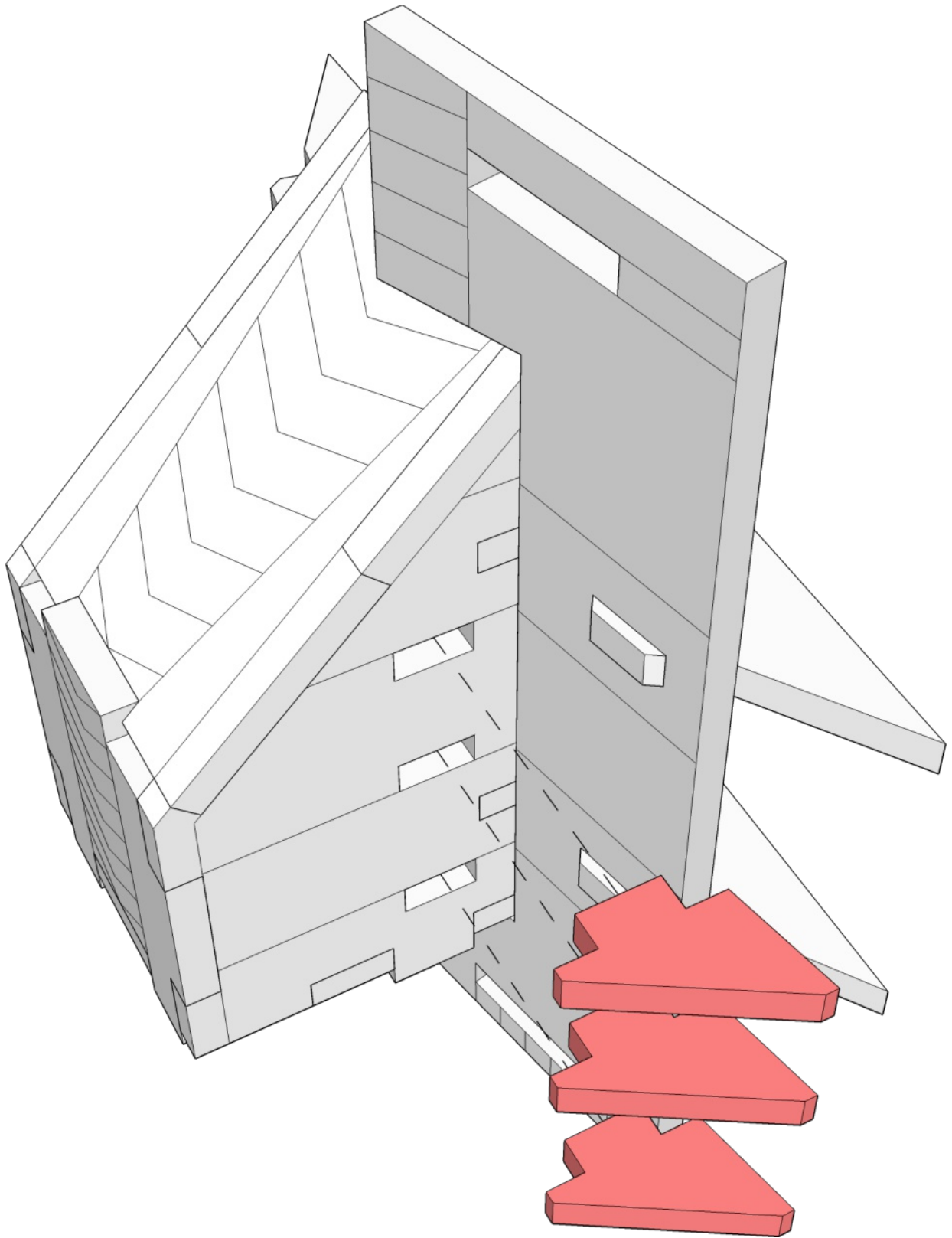
TTSC-SFX-078
Ashford
Pressureworks

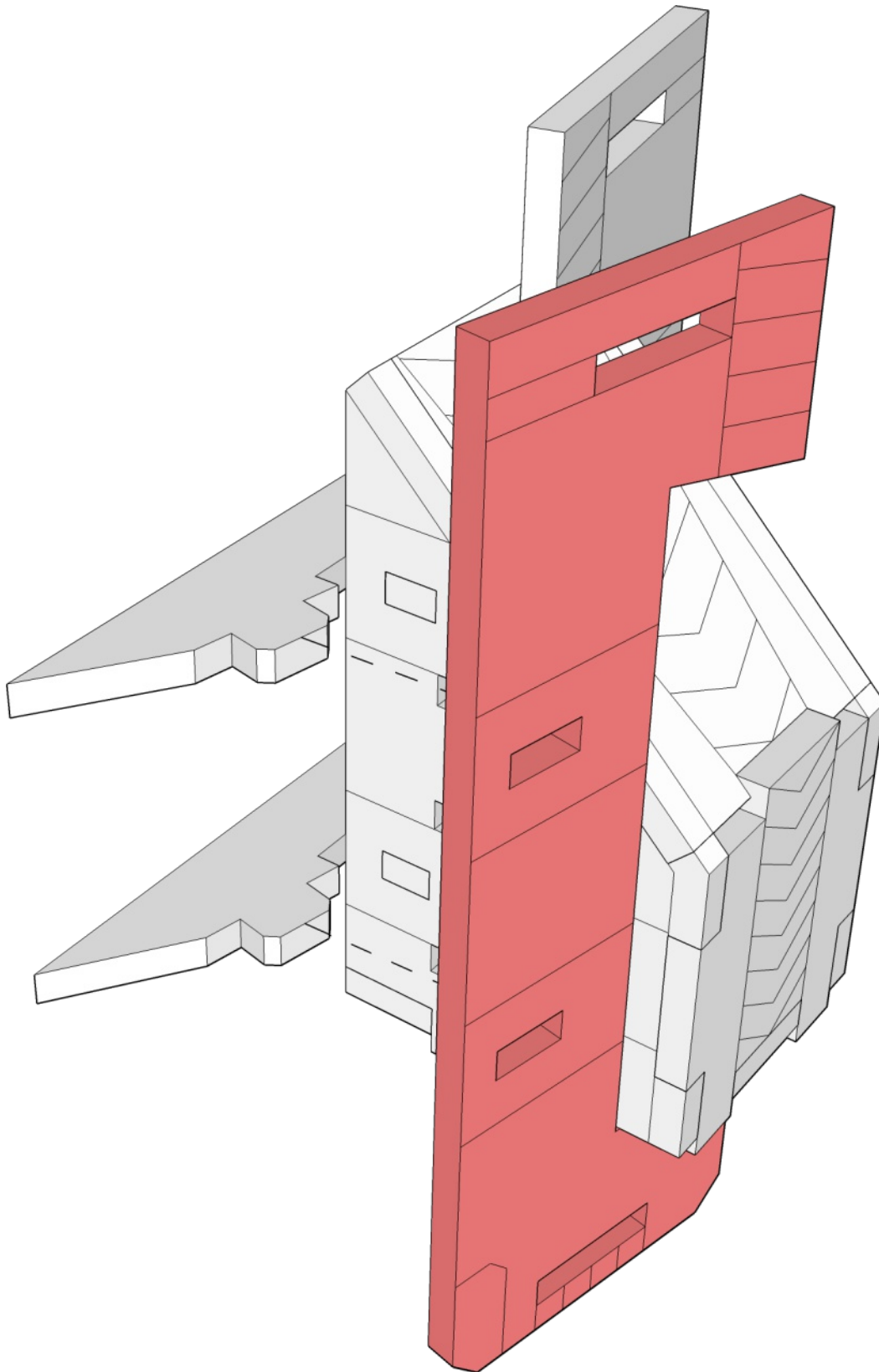


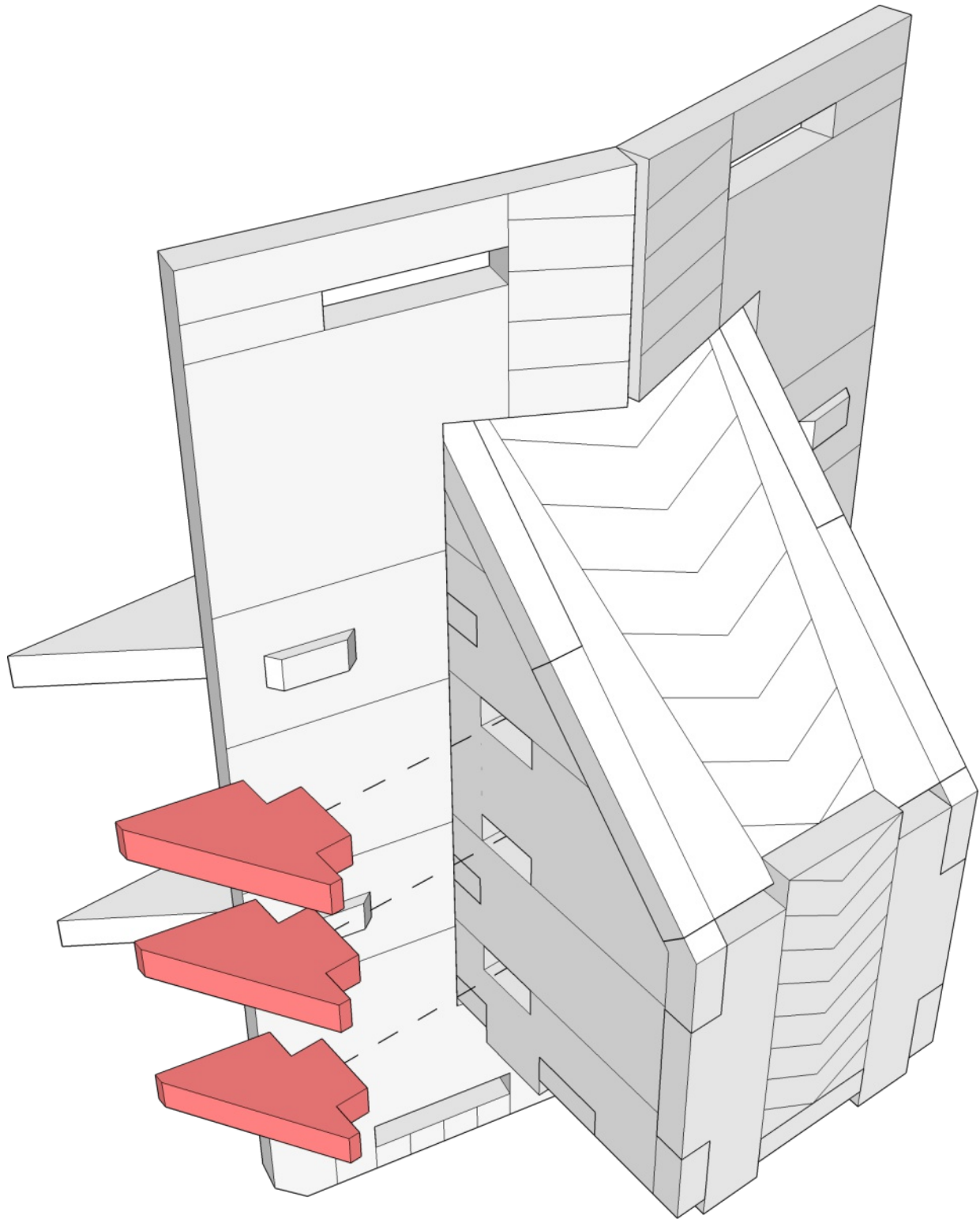










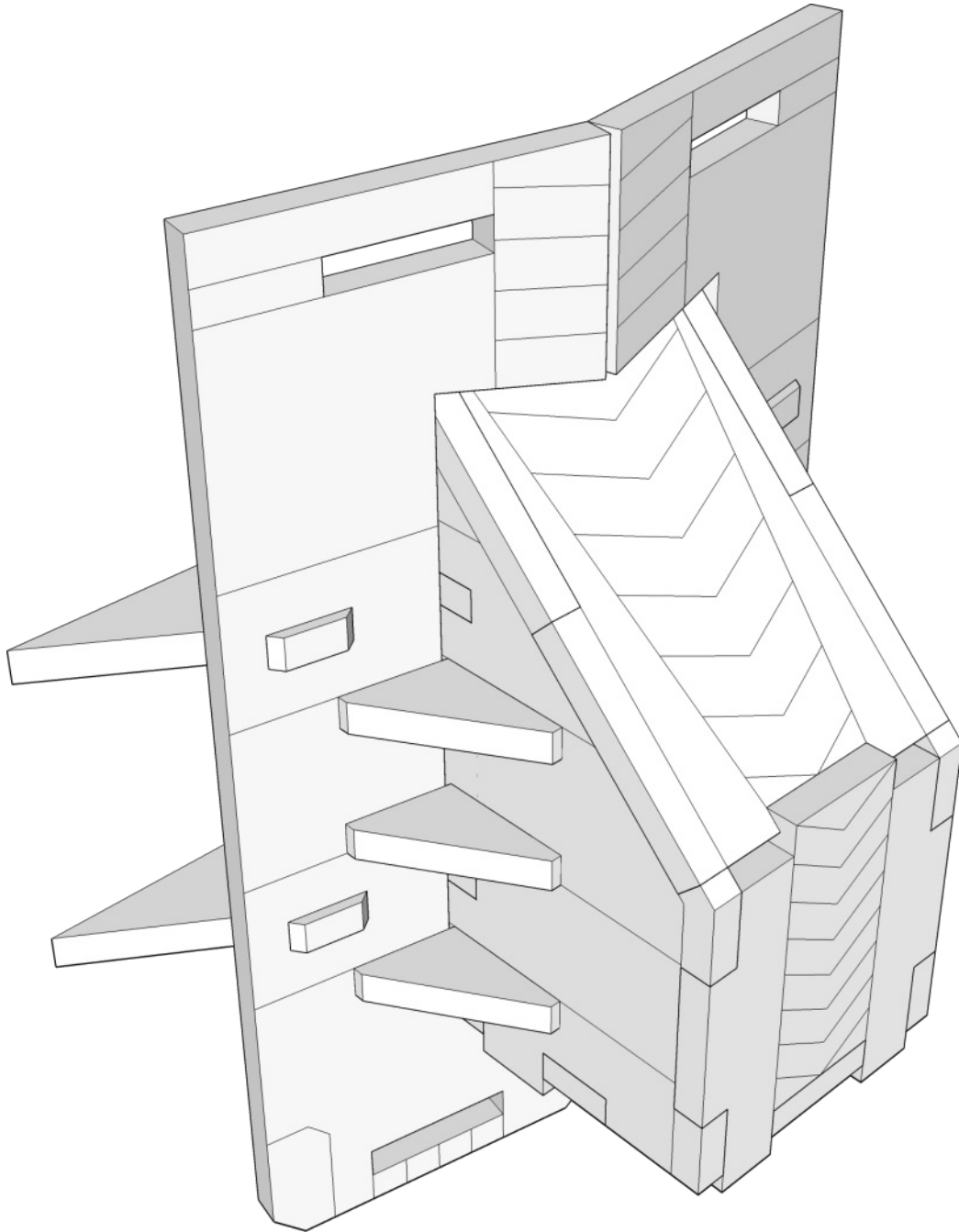




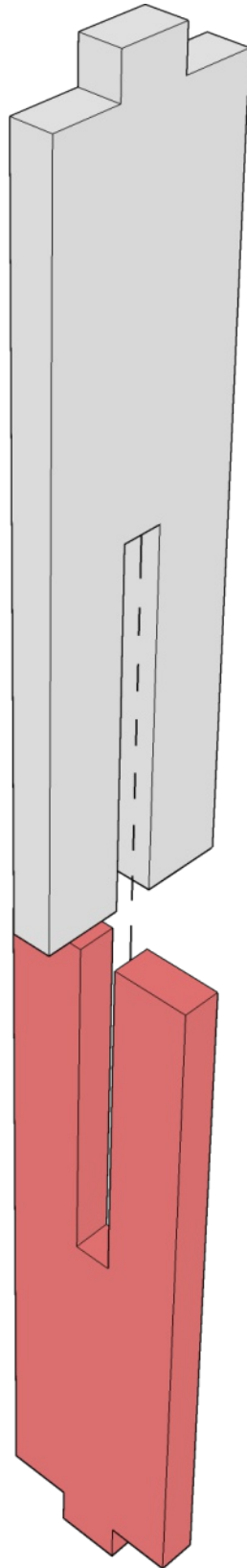
TABLETOP
SCENICS

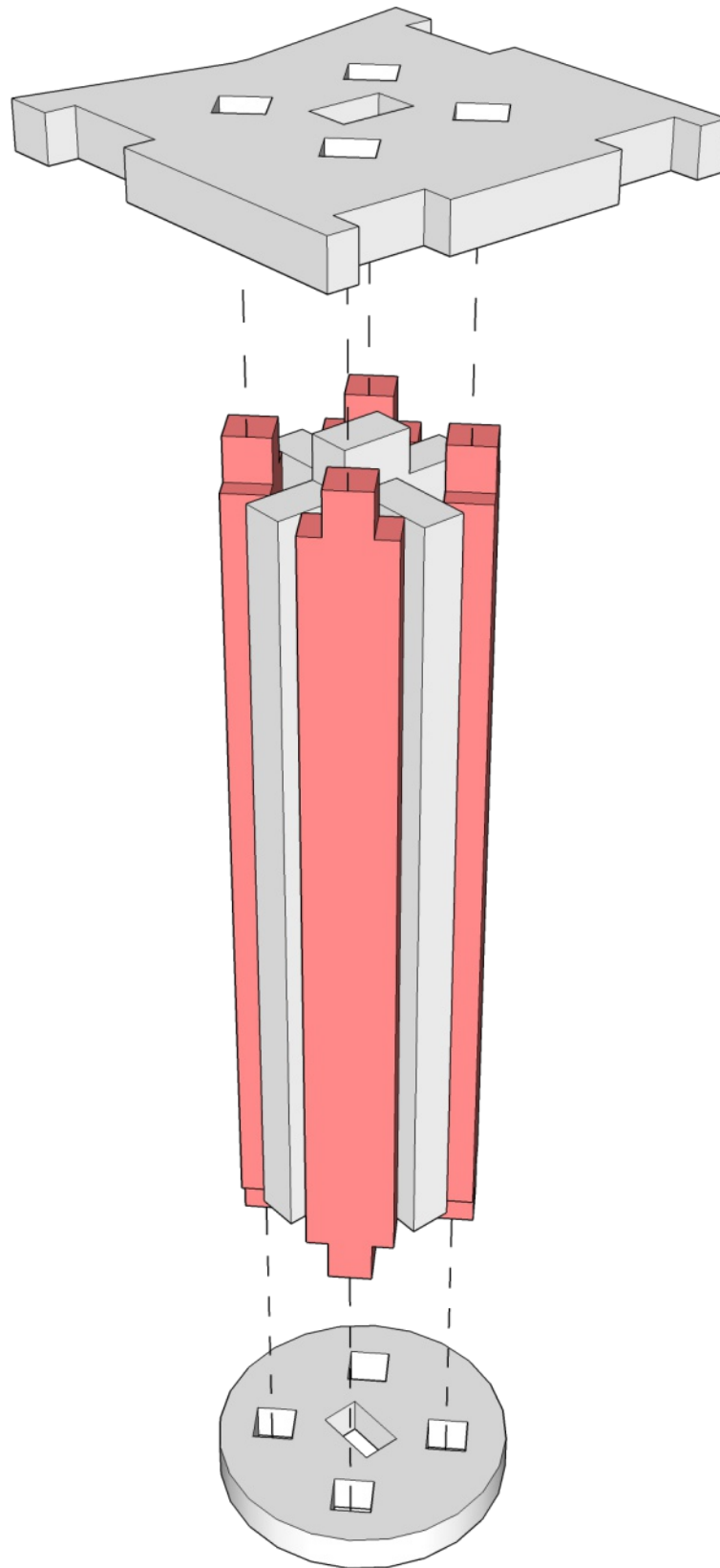
17

TTSC-SFX-078
Ashford
Pressureworks



 **TTCOMBAT**



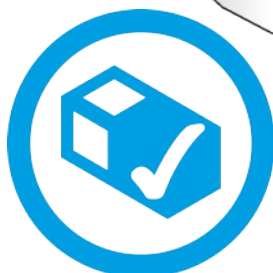
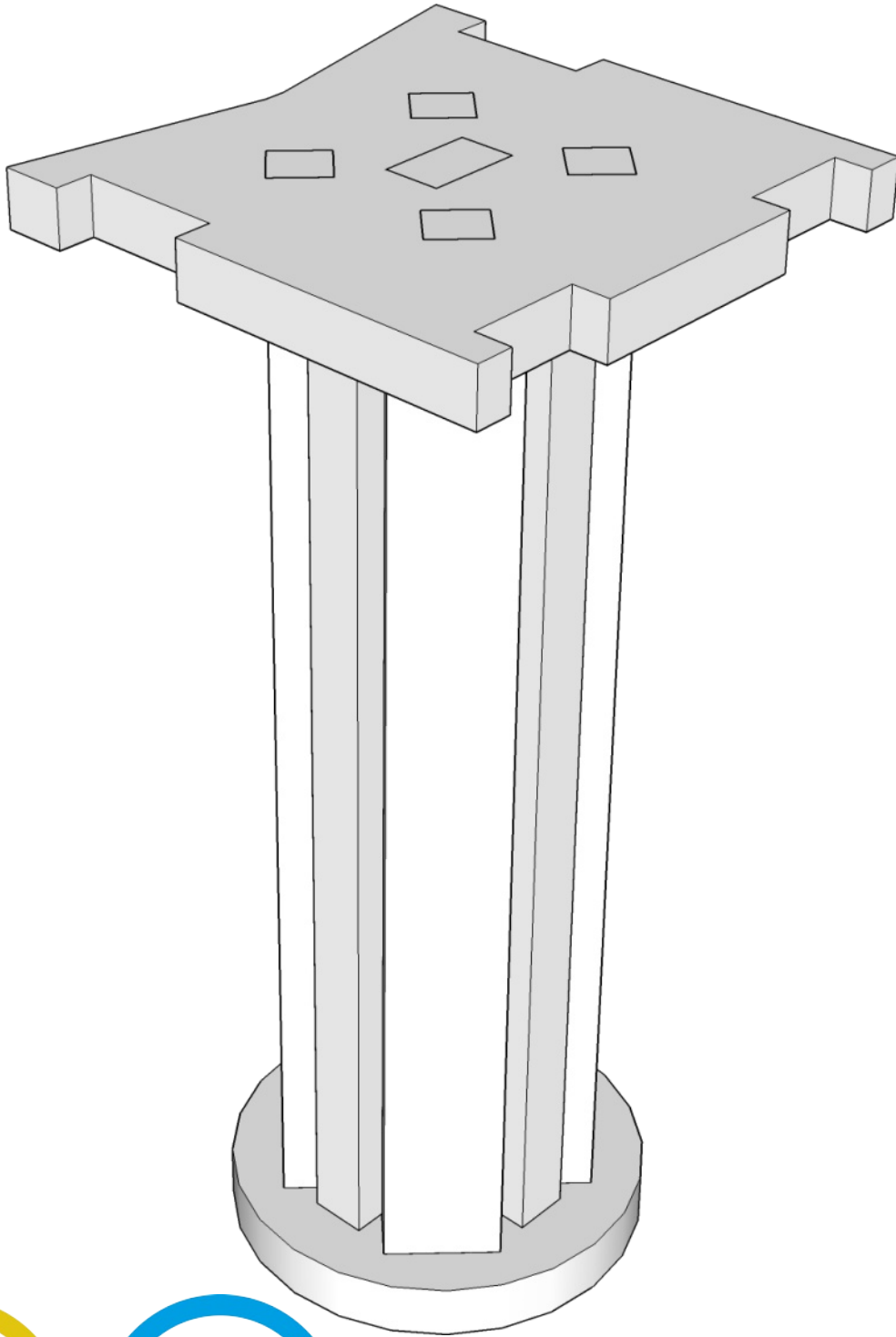


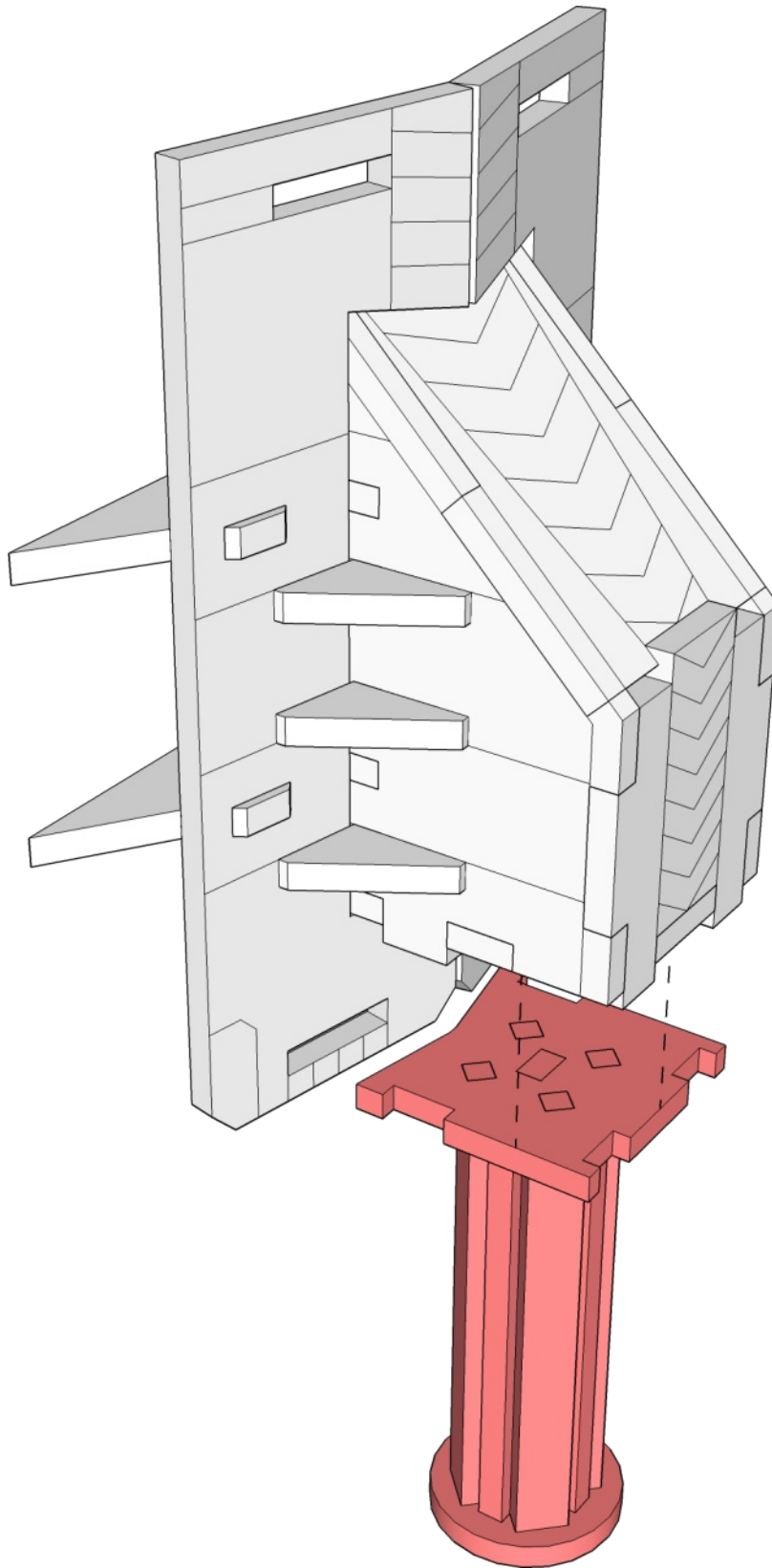


TABLETOP SCENICS

20

TTSC-SFX-078
Ashford
Pressureworks



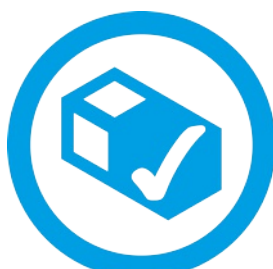
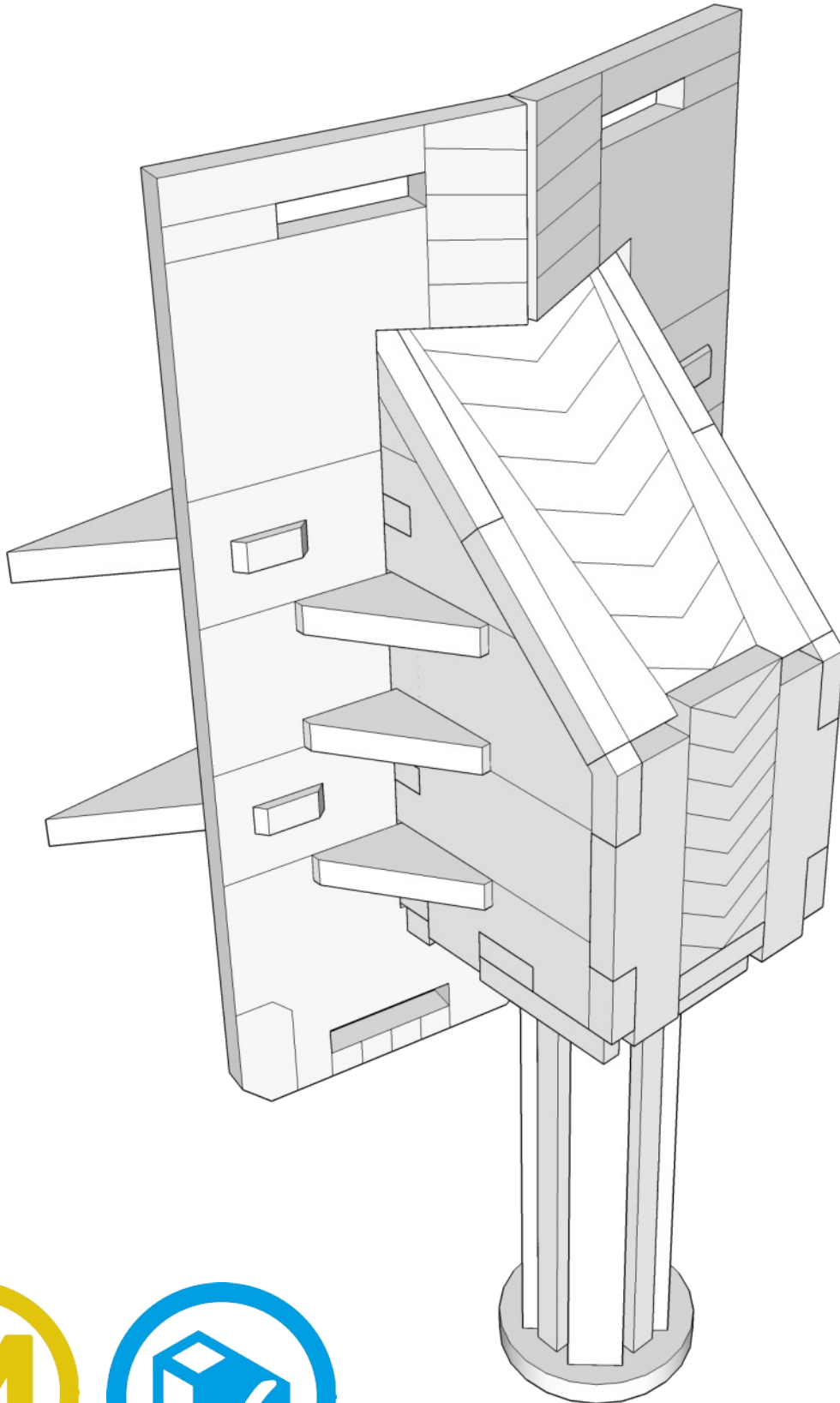




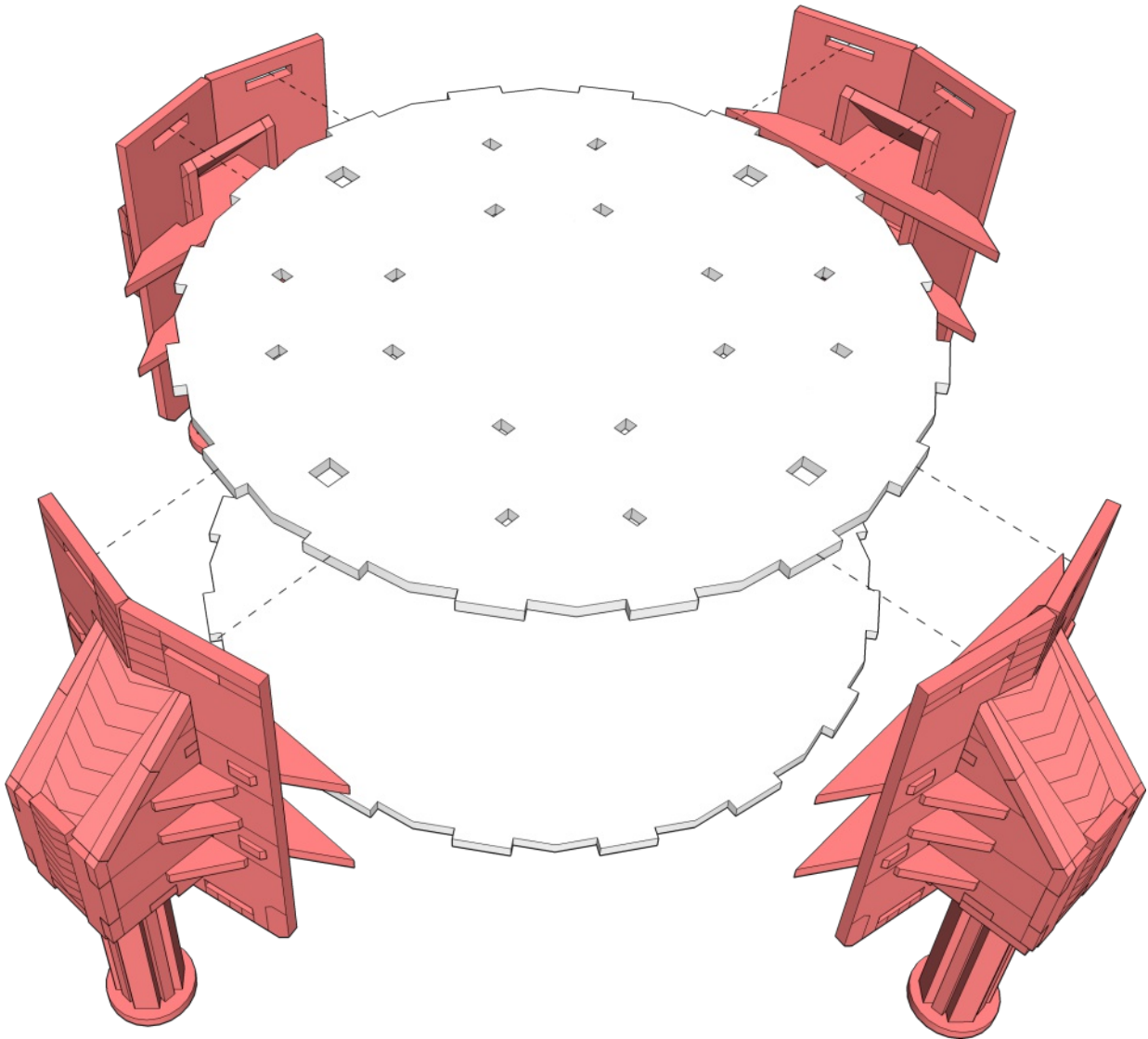
TABLETOP
SCENICS

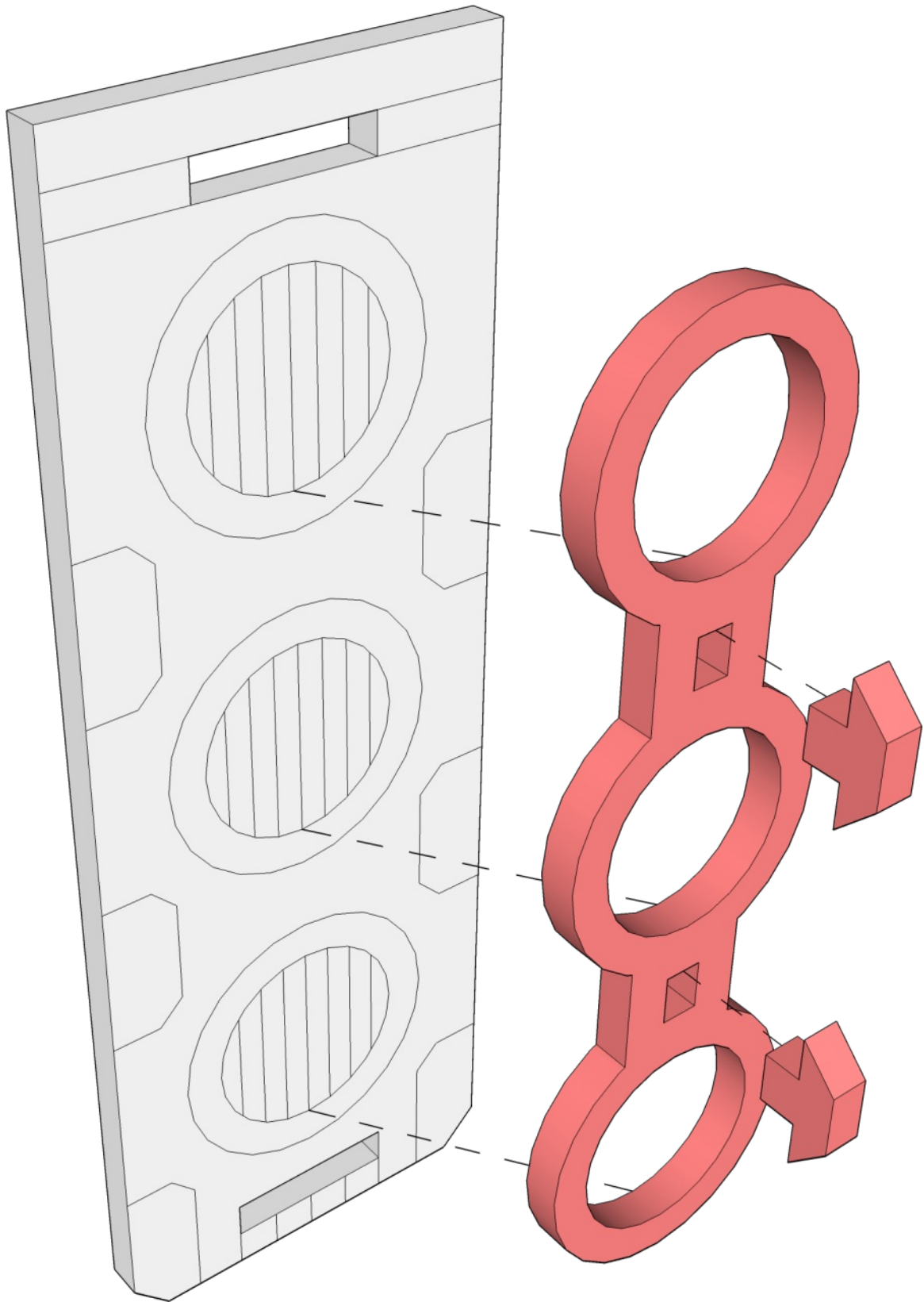
22

TTSC-SFX-078
Ashford
Pressureworks



 **TTCOMBAT**



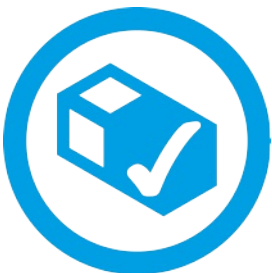
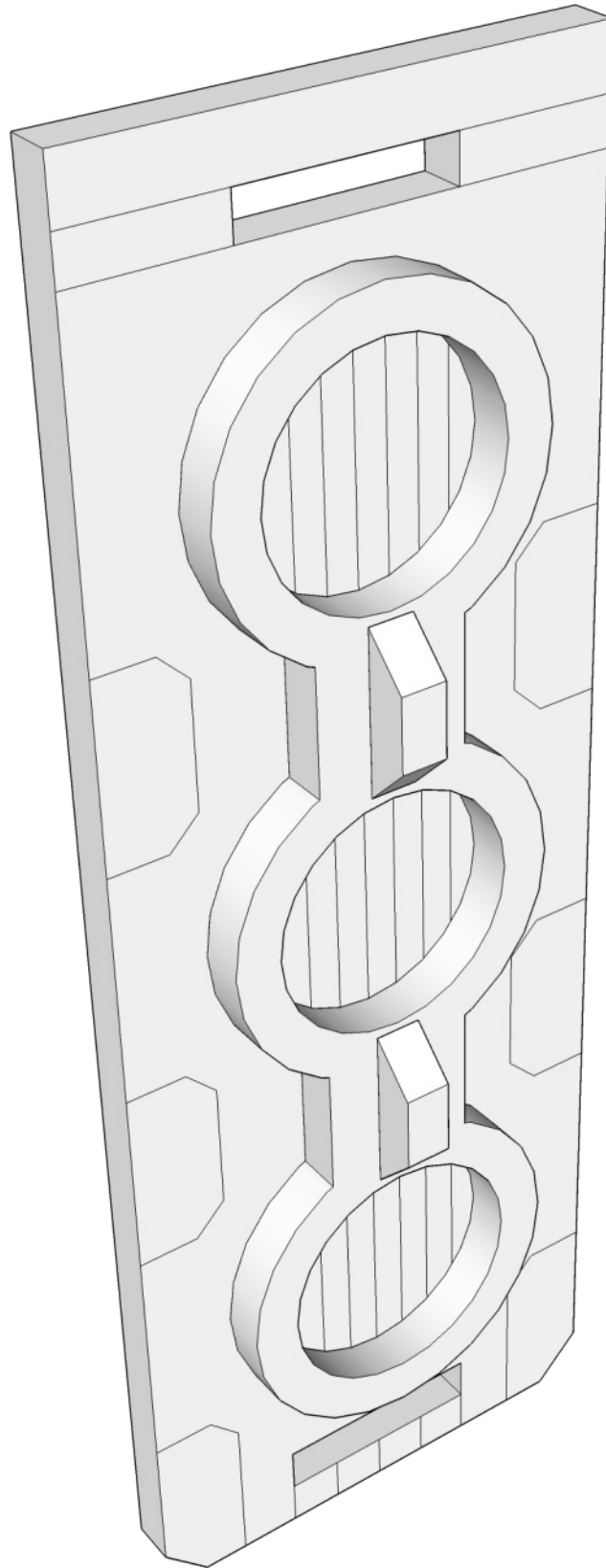




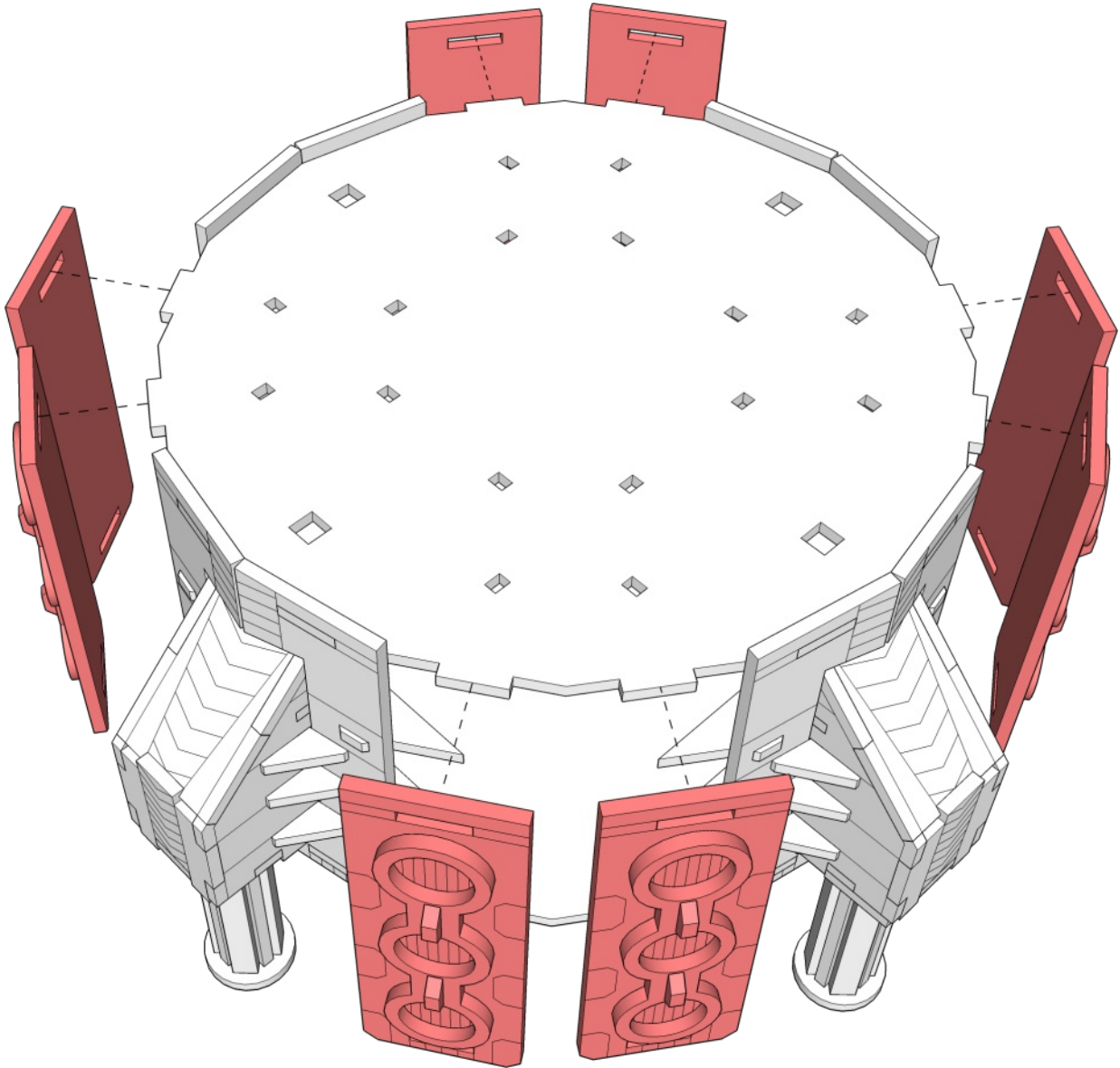
TABLETOP
SCENICS

25

TTSC-SFX-078
Ashford
Pressureworks



 **TTCOMBAT**

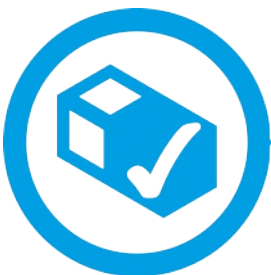
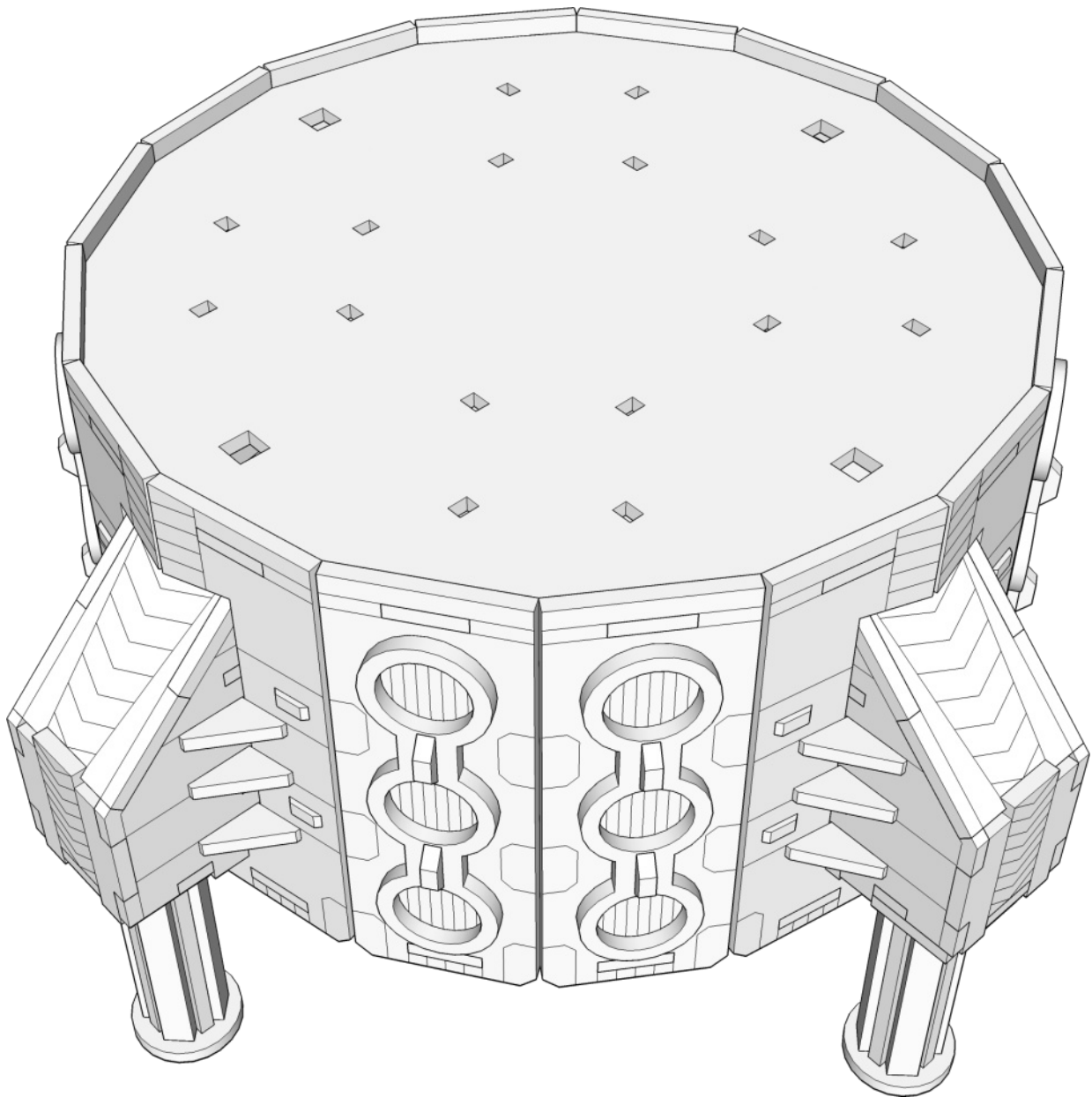


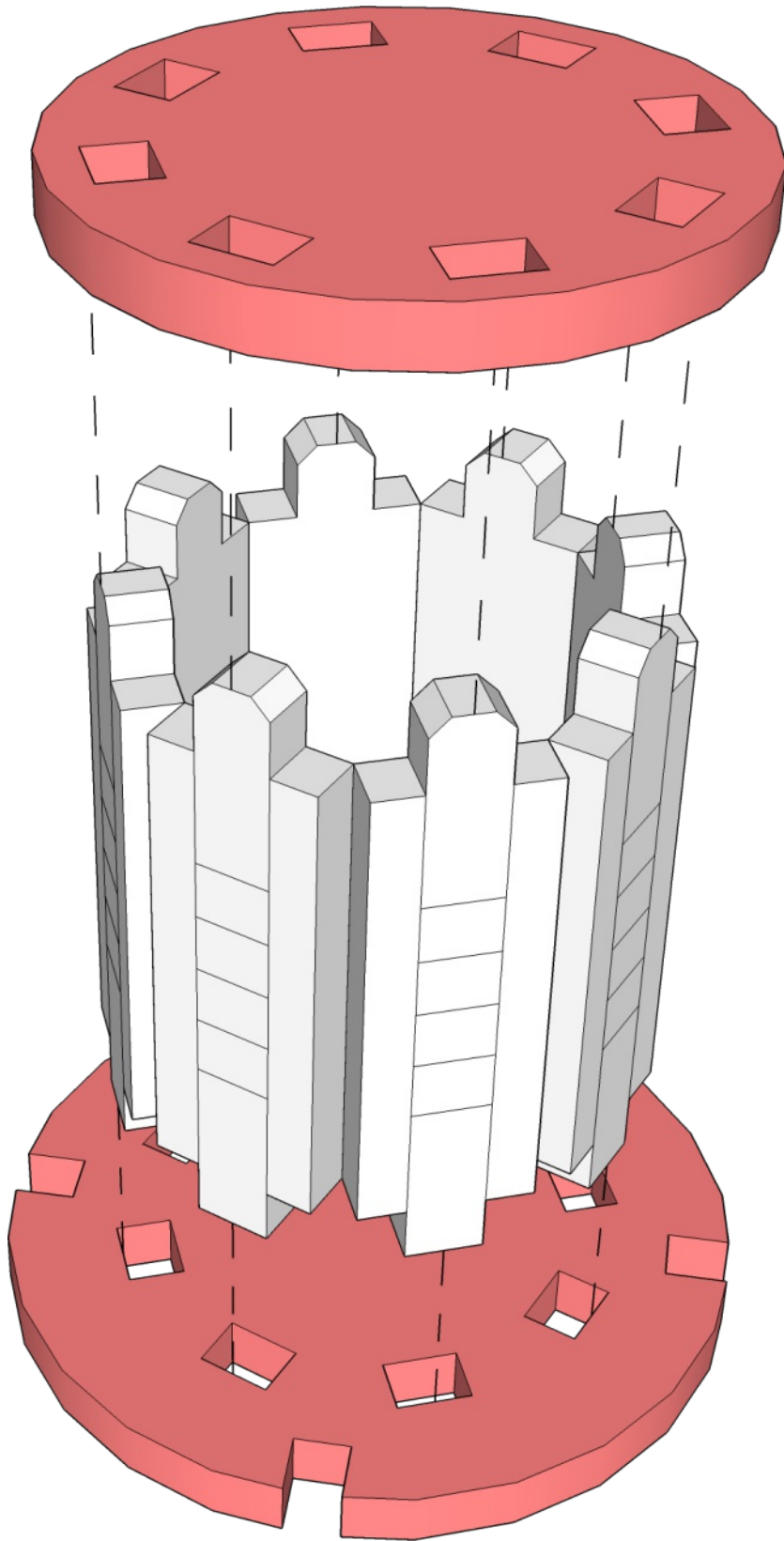


TABLETOP SCENICS

27

TTSC-SFX-078
Ashford
Pressureworks



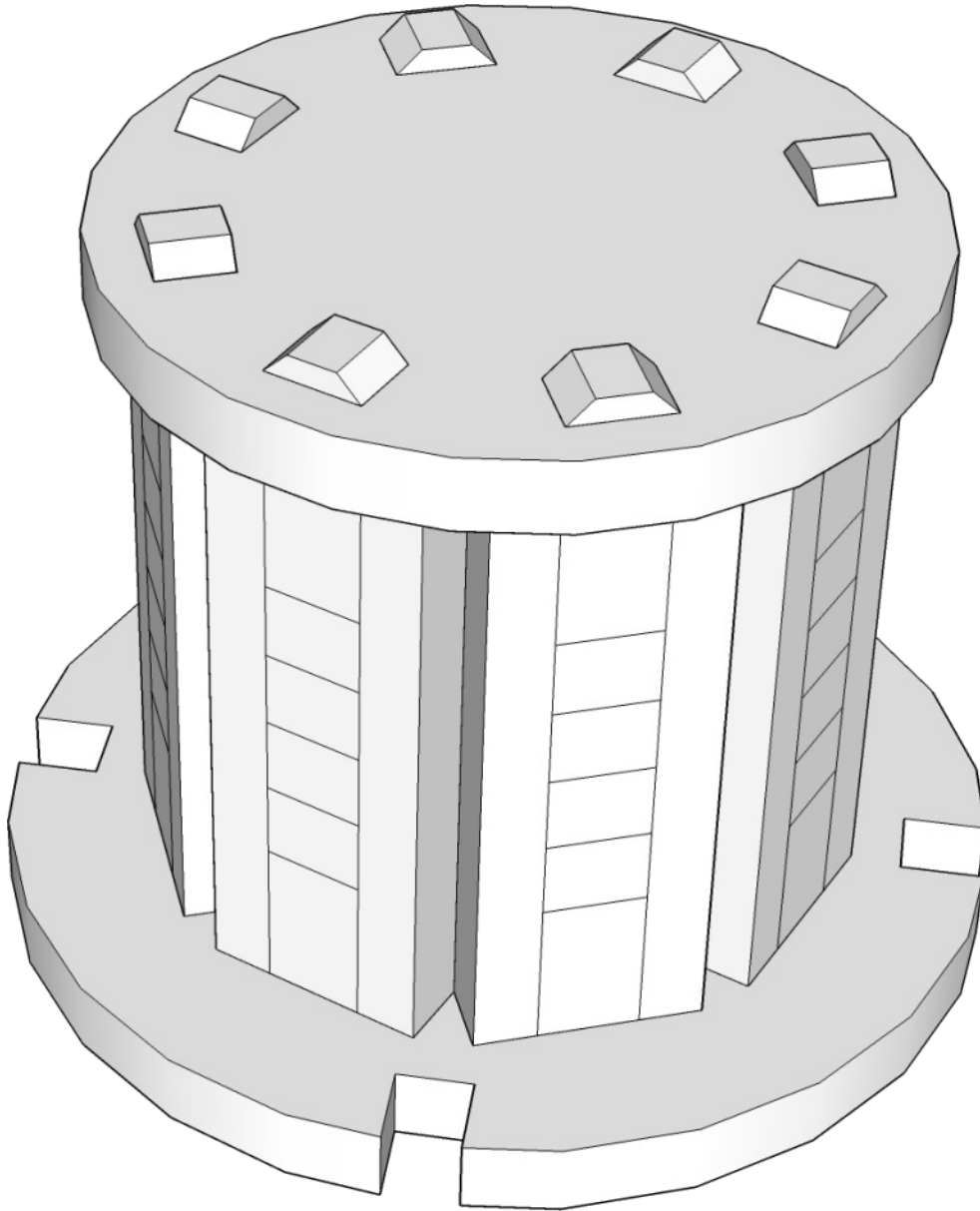


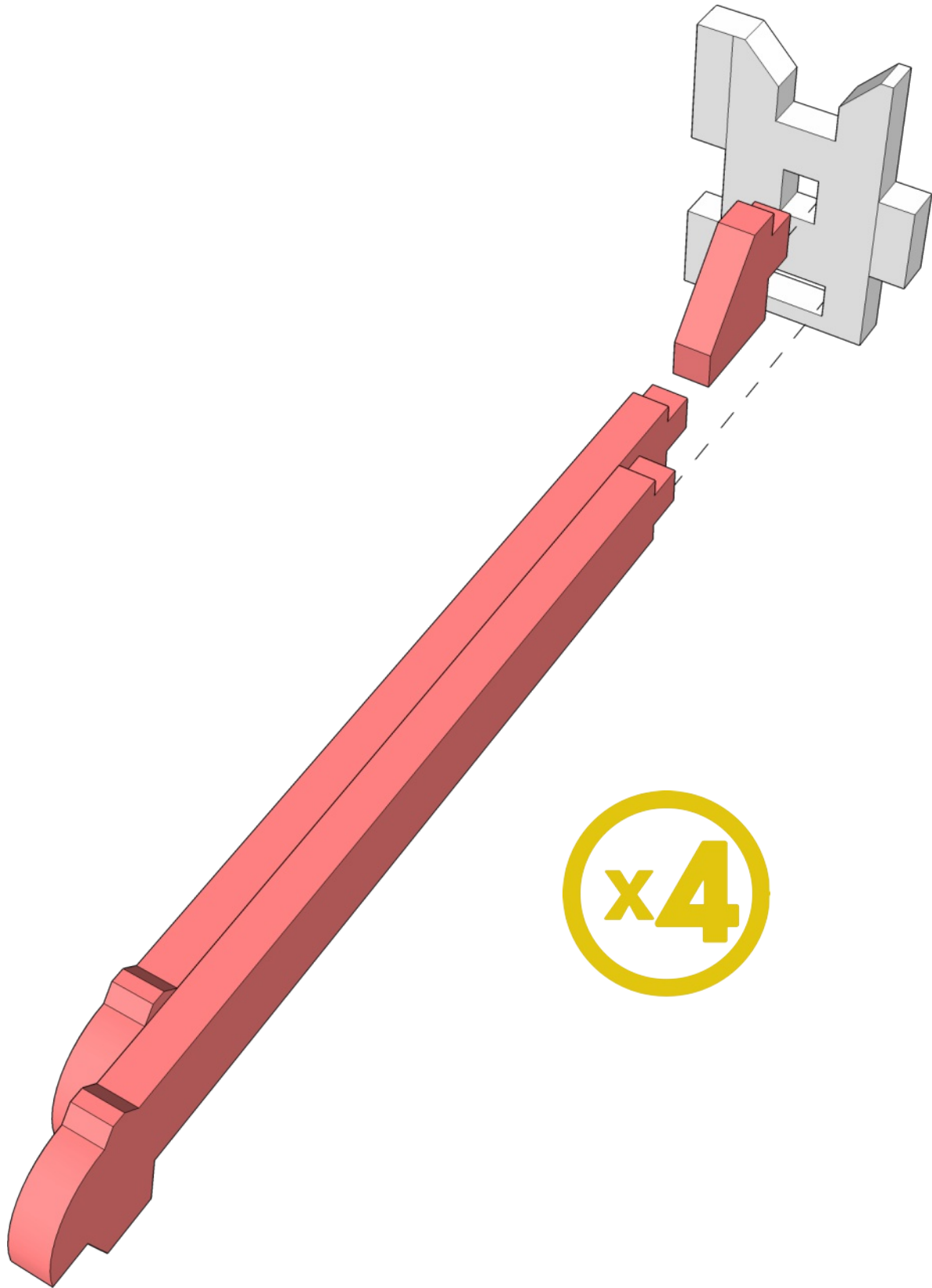


TABLETOP
SCENICS

29

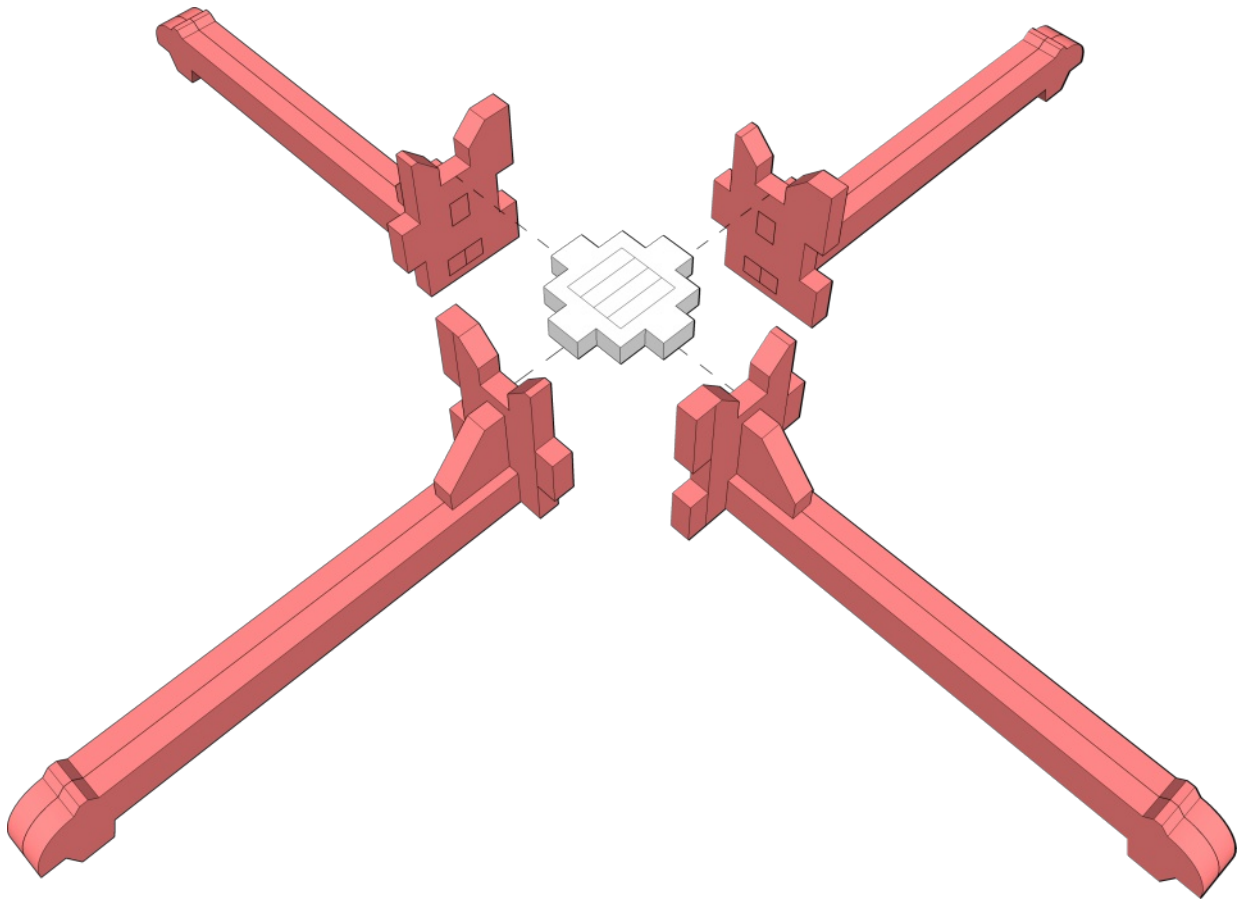
TTSC-SFX-078
Ashford
Pressureworks

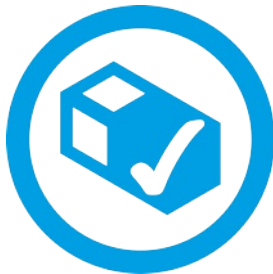
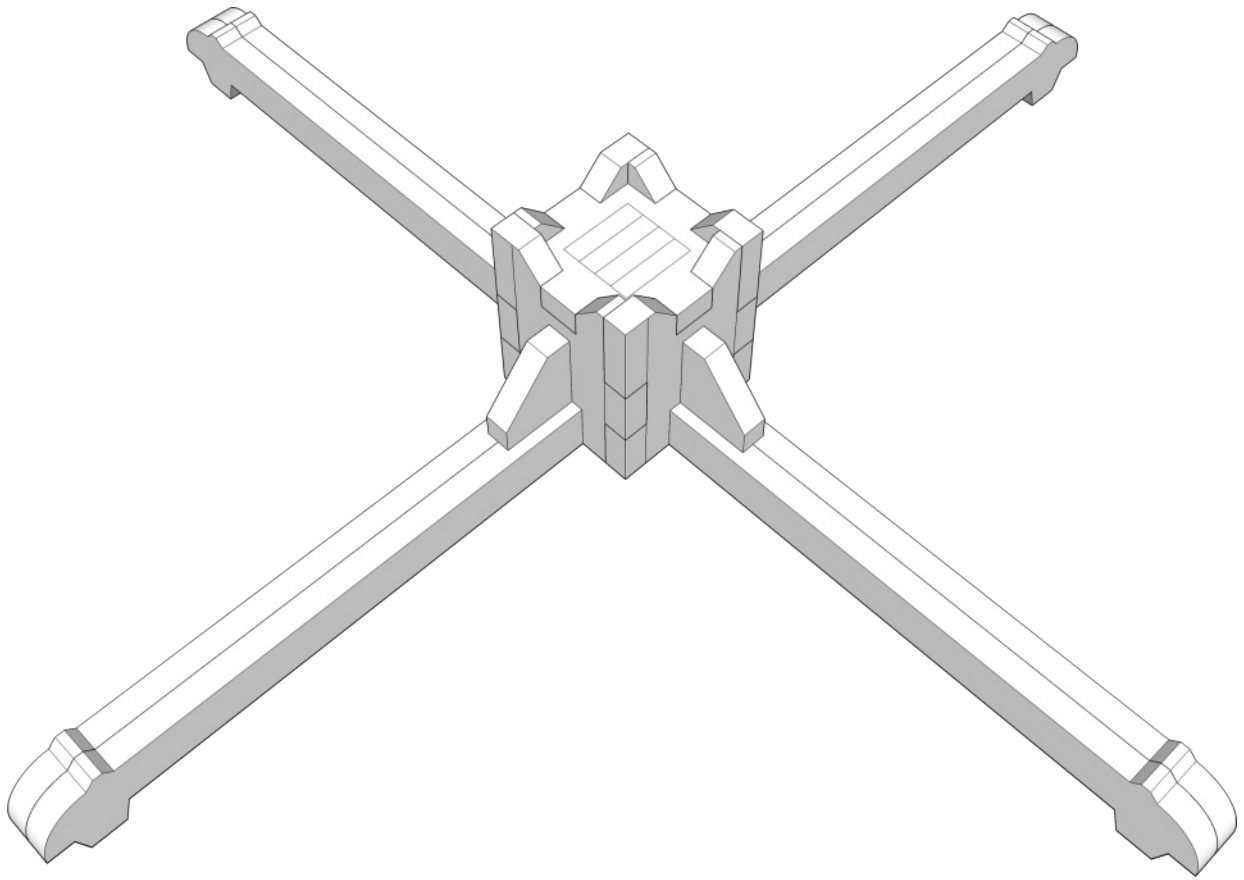


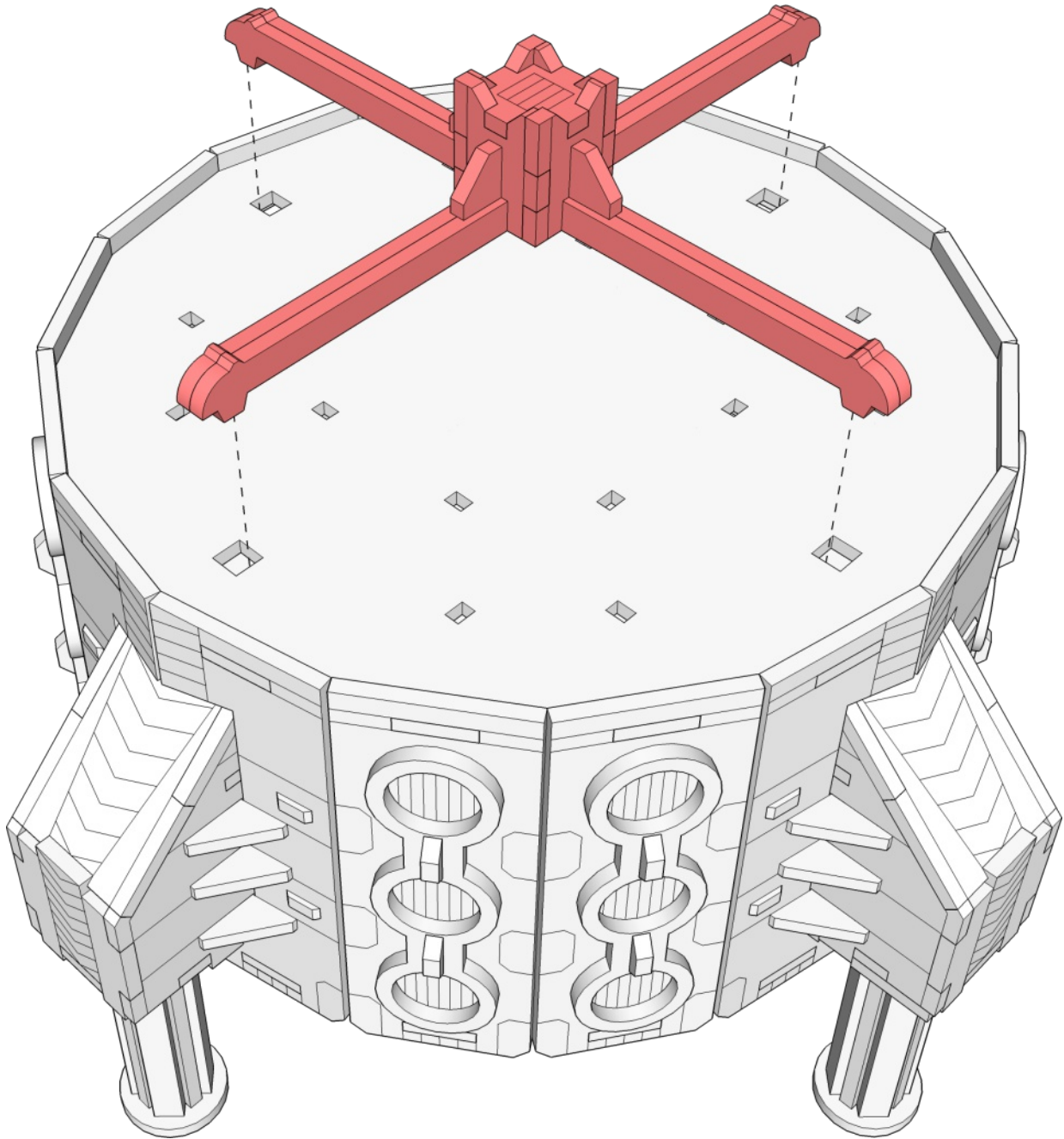


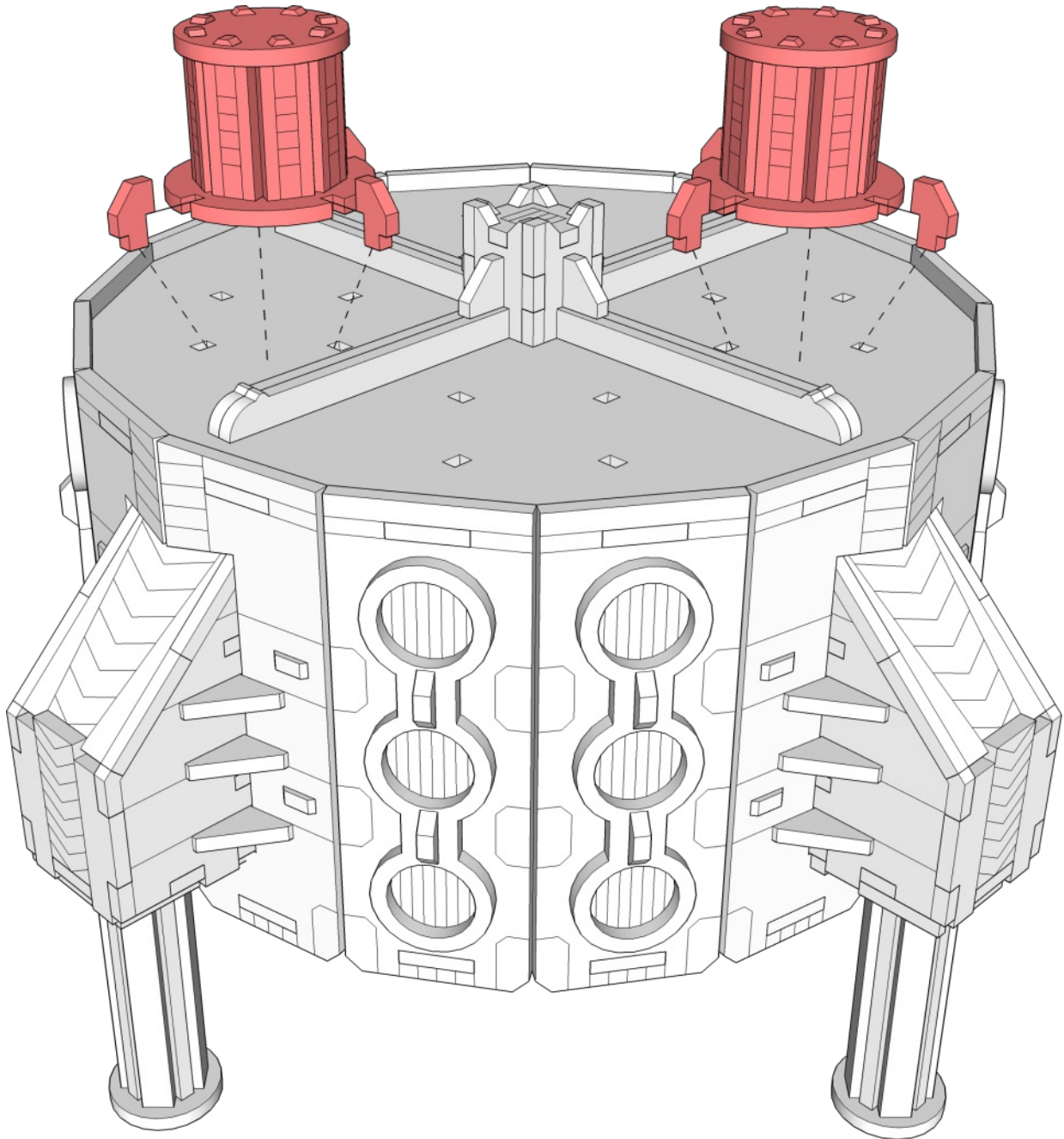
x4

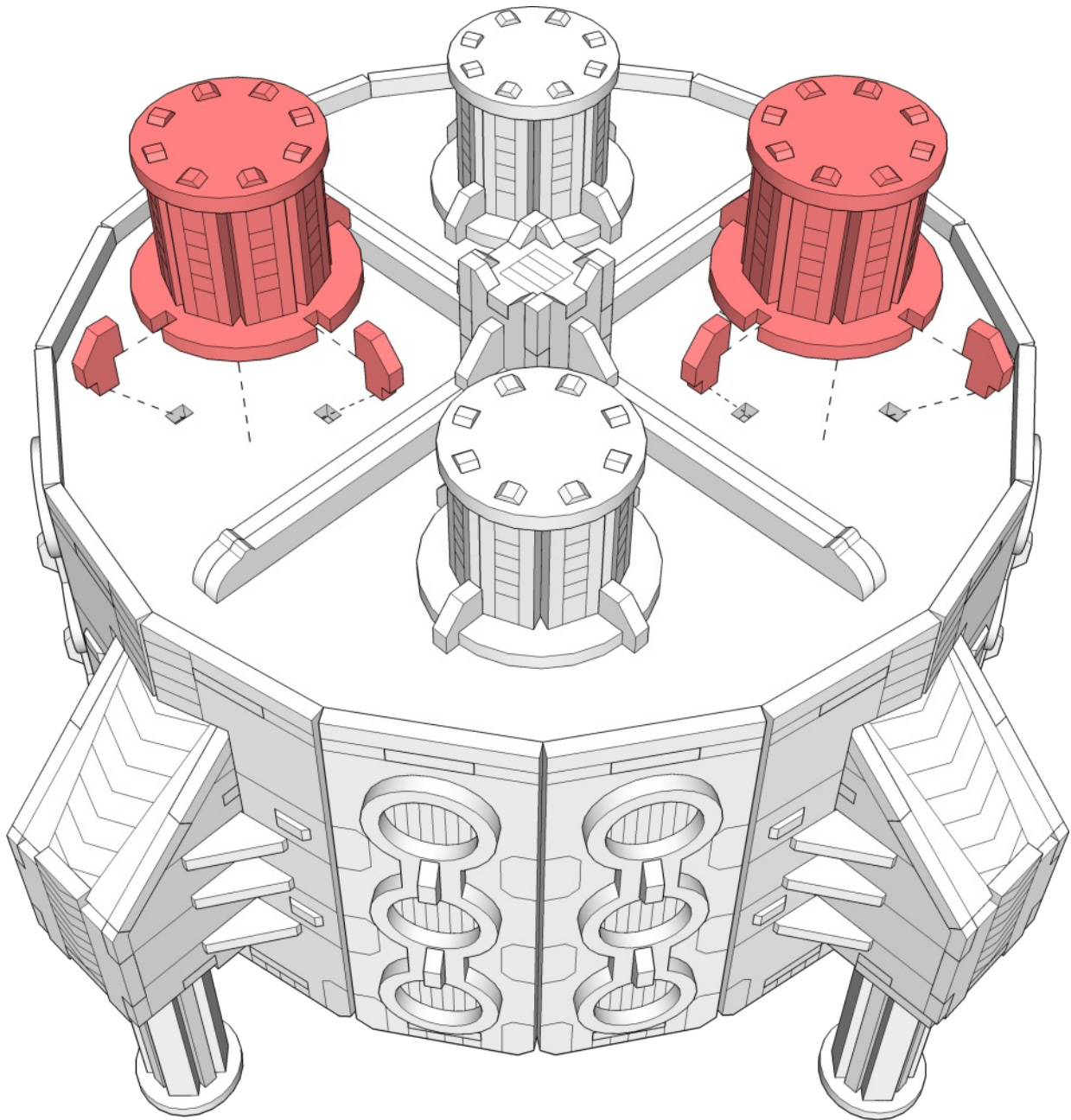














TABLETOP SCENICS

36

TTSC-SFX-078
Ashford
Pressureworks

