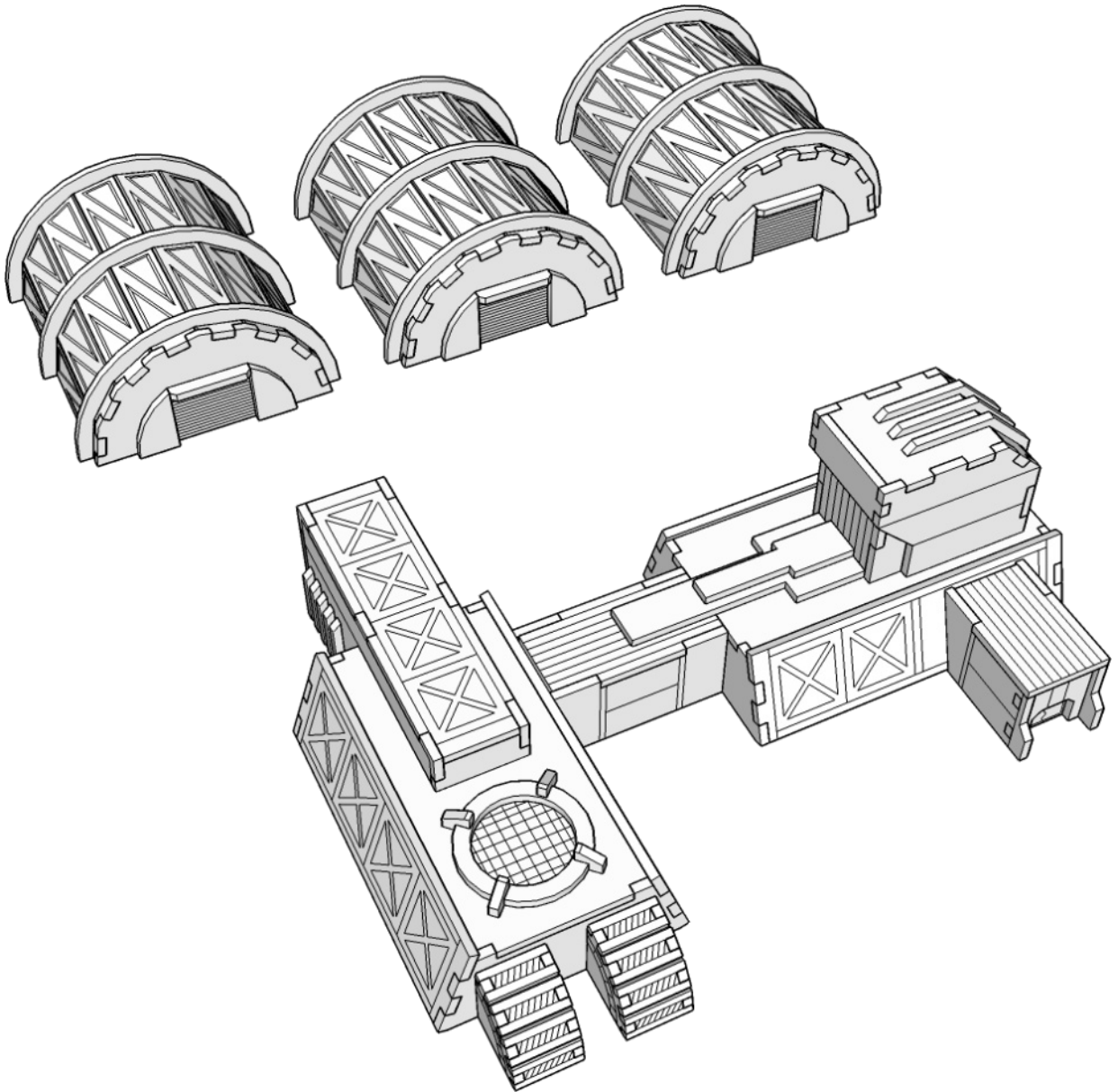




**TABLETOP
SCENICS**

**TTSC-SFX067
Compound Drack**



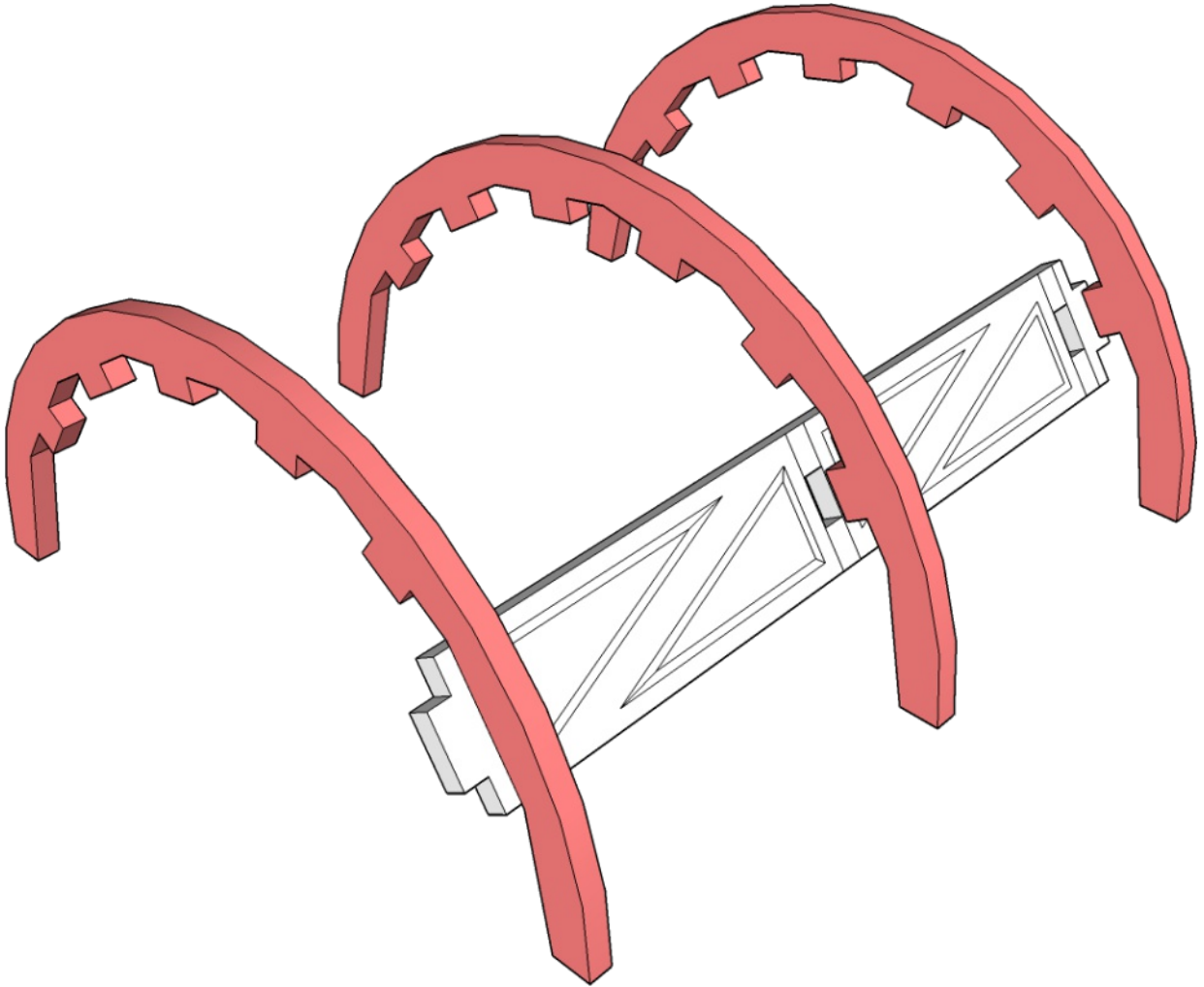
 **TTCOMBAT**



TABLETOP
SCENICS

TTSC-SFX067
Compound Drack

1

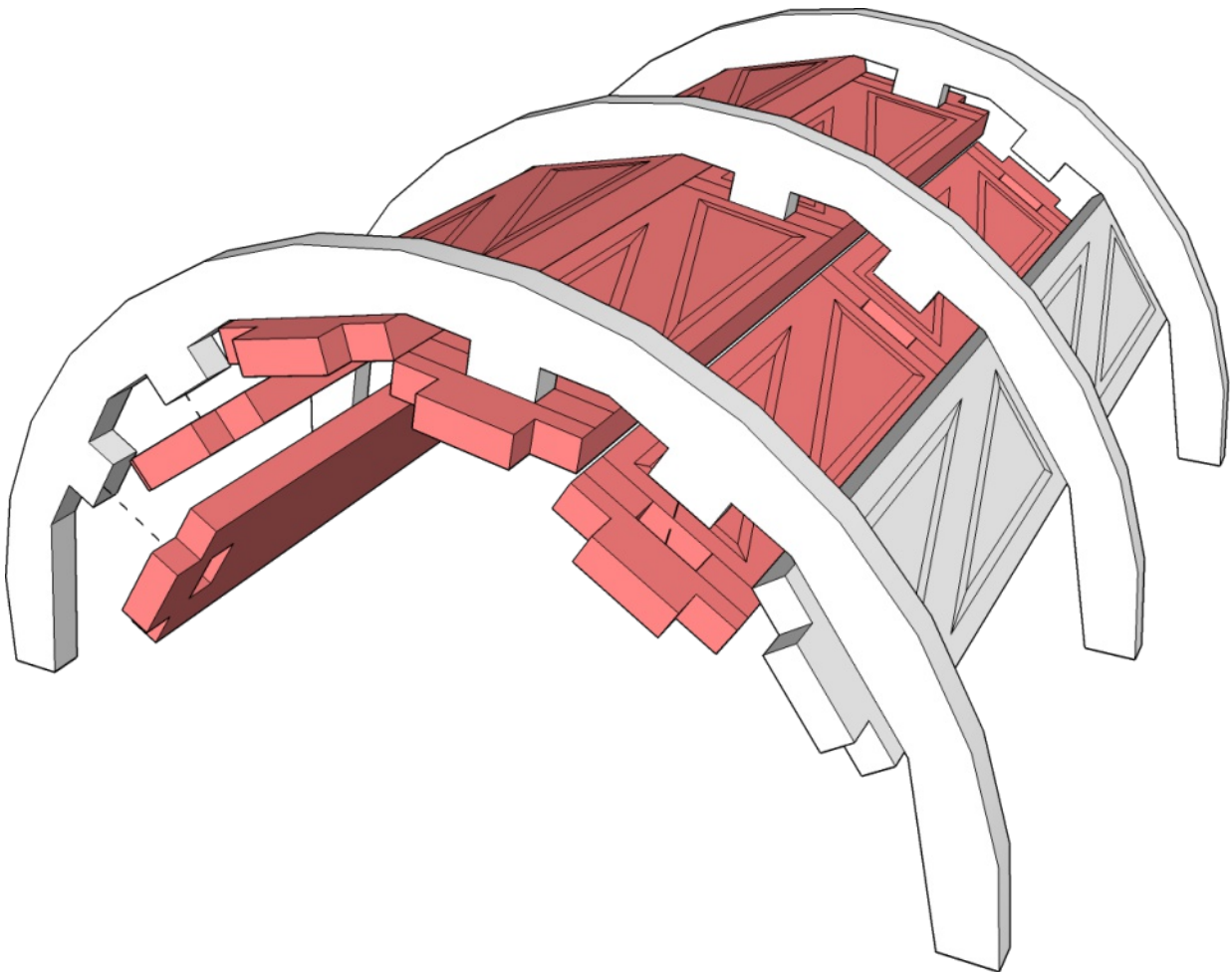


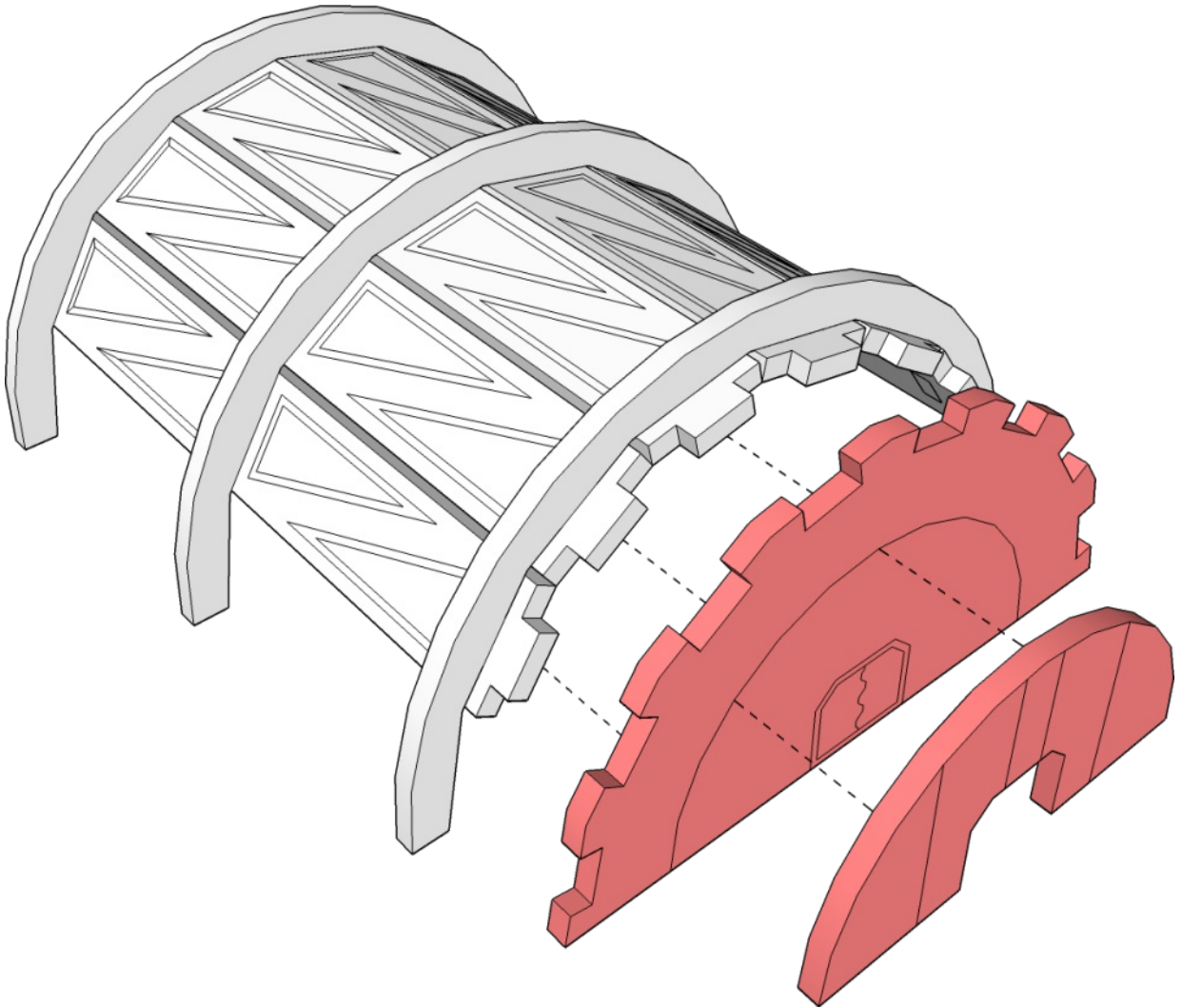


TABLETOP
SCENICS

2

TTSC-SFX067
Compound Drack



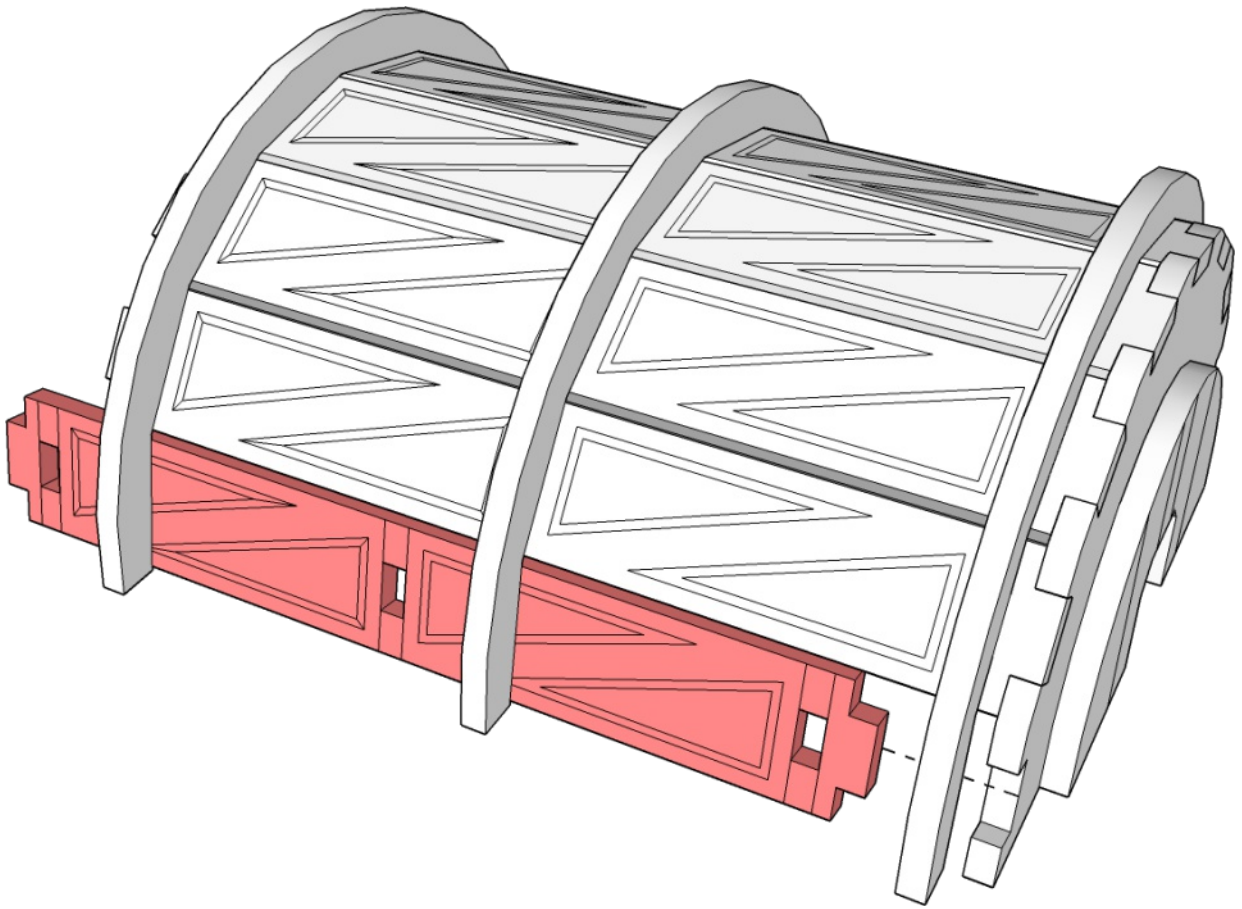




TABLETOP
SCENICS

4

TTSC-SFX067
Compound Drack

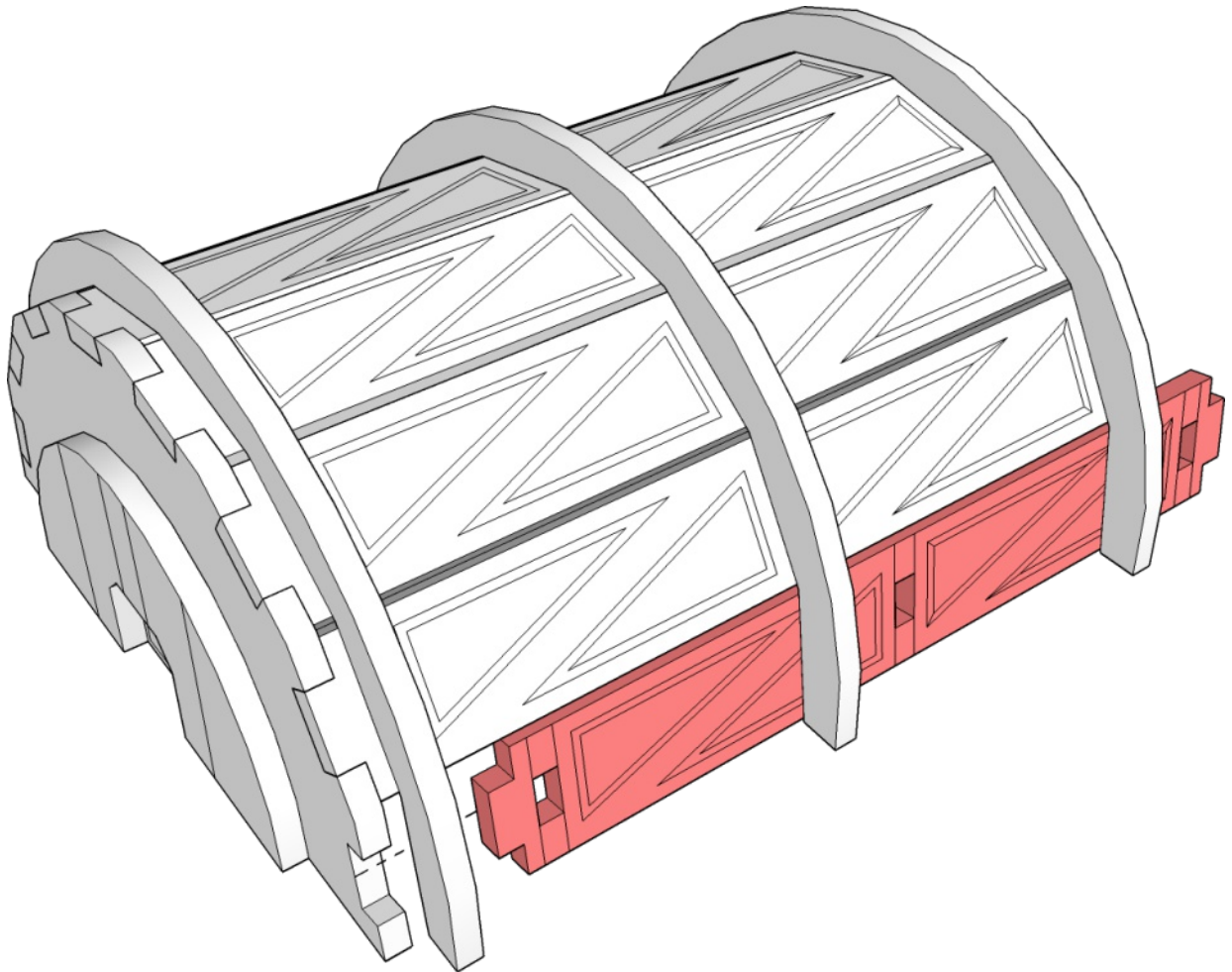




**TABLETOP
SCENICS**

**TTSC-SFX067
Compound Drack**

5

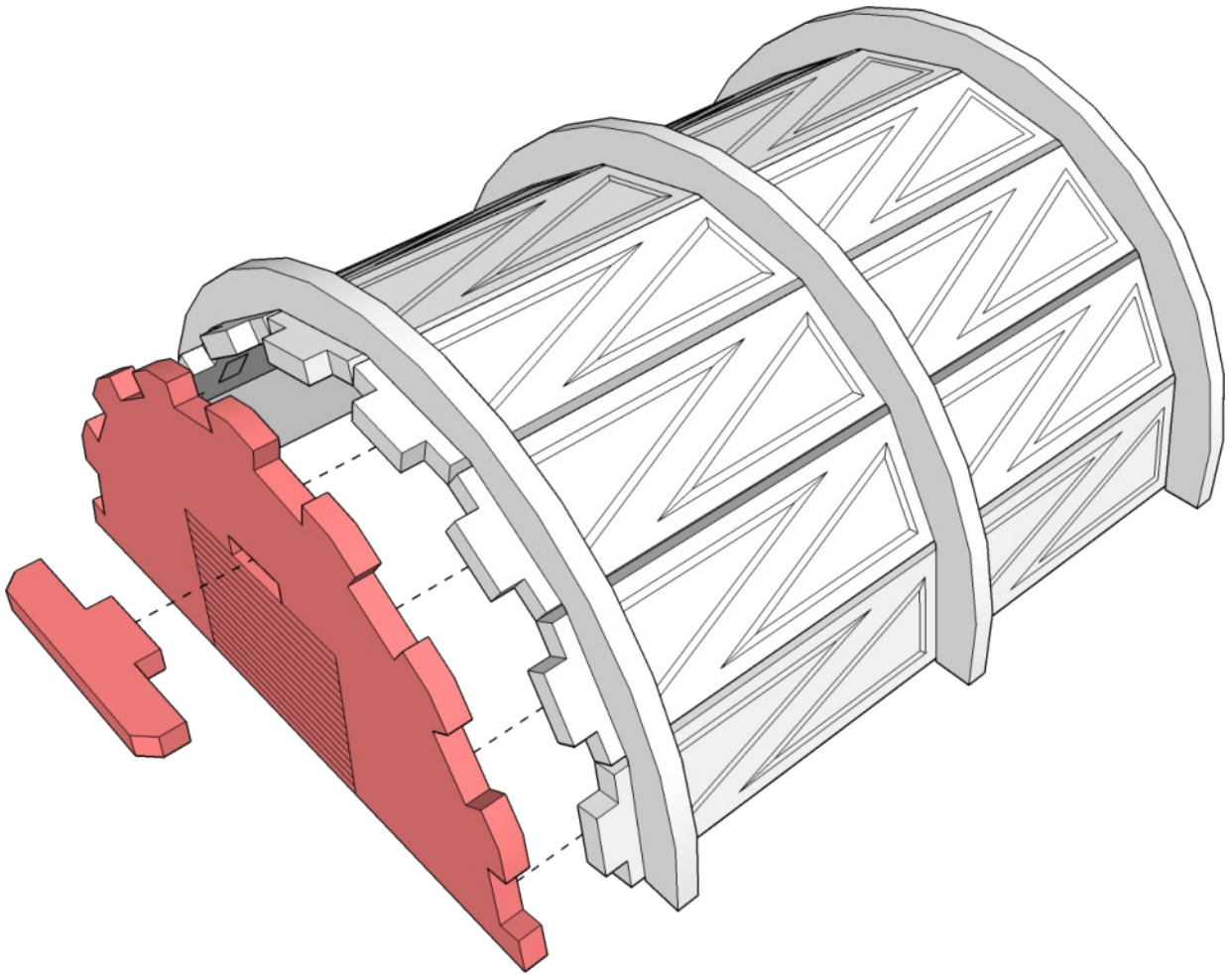




**TABLETOP
SCENICS**

6

**TTSC-SFX067
Compound Drack**

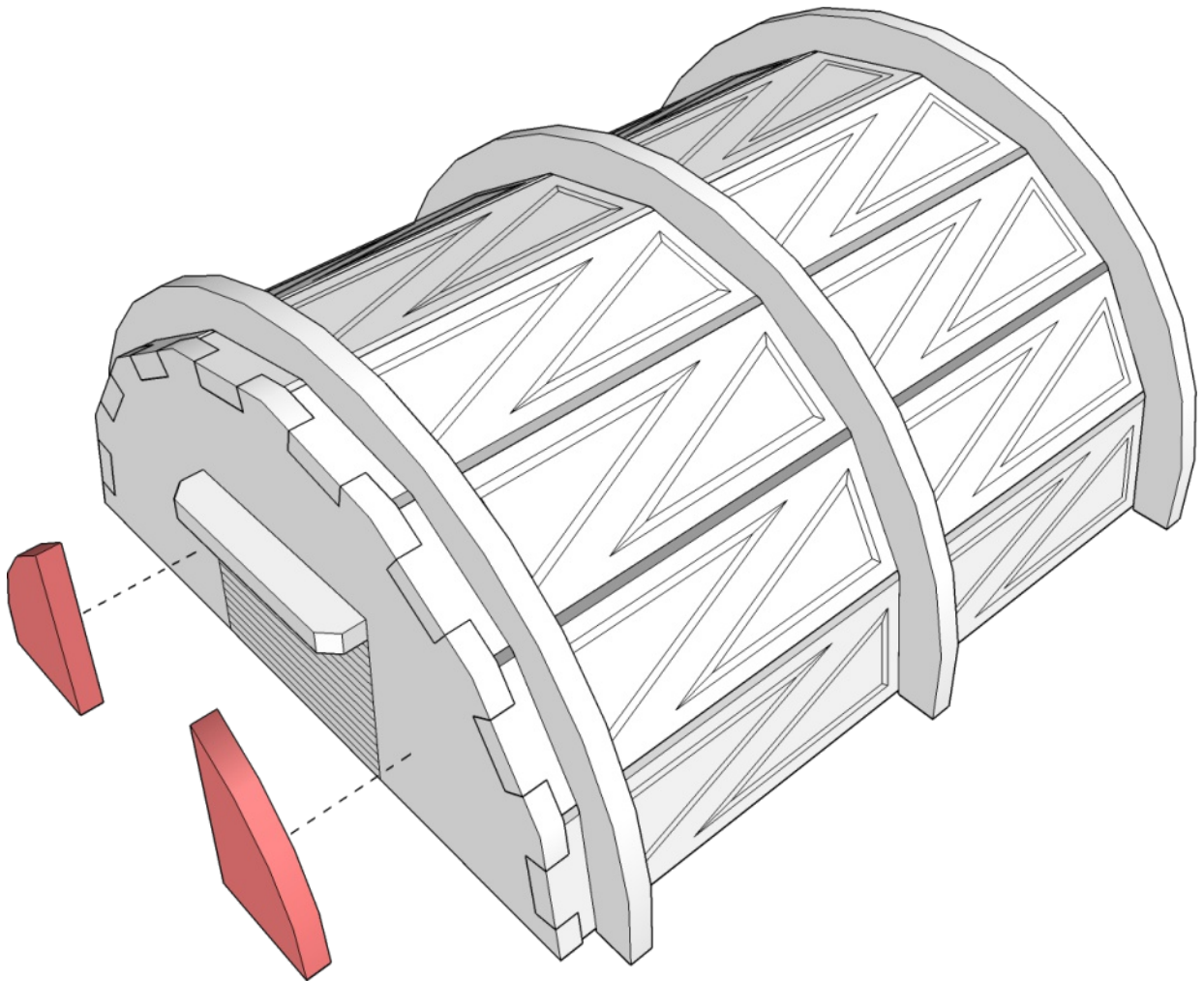




TABLETOP
SCENICS

7

TTSC-SFX067
Compound Drack



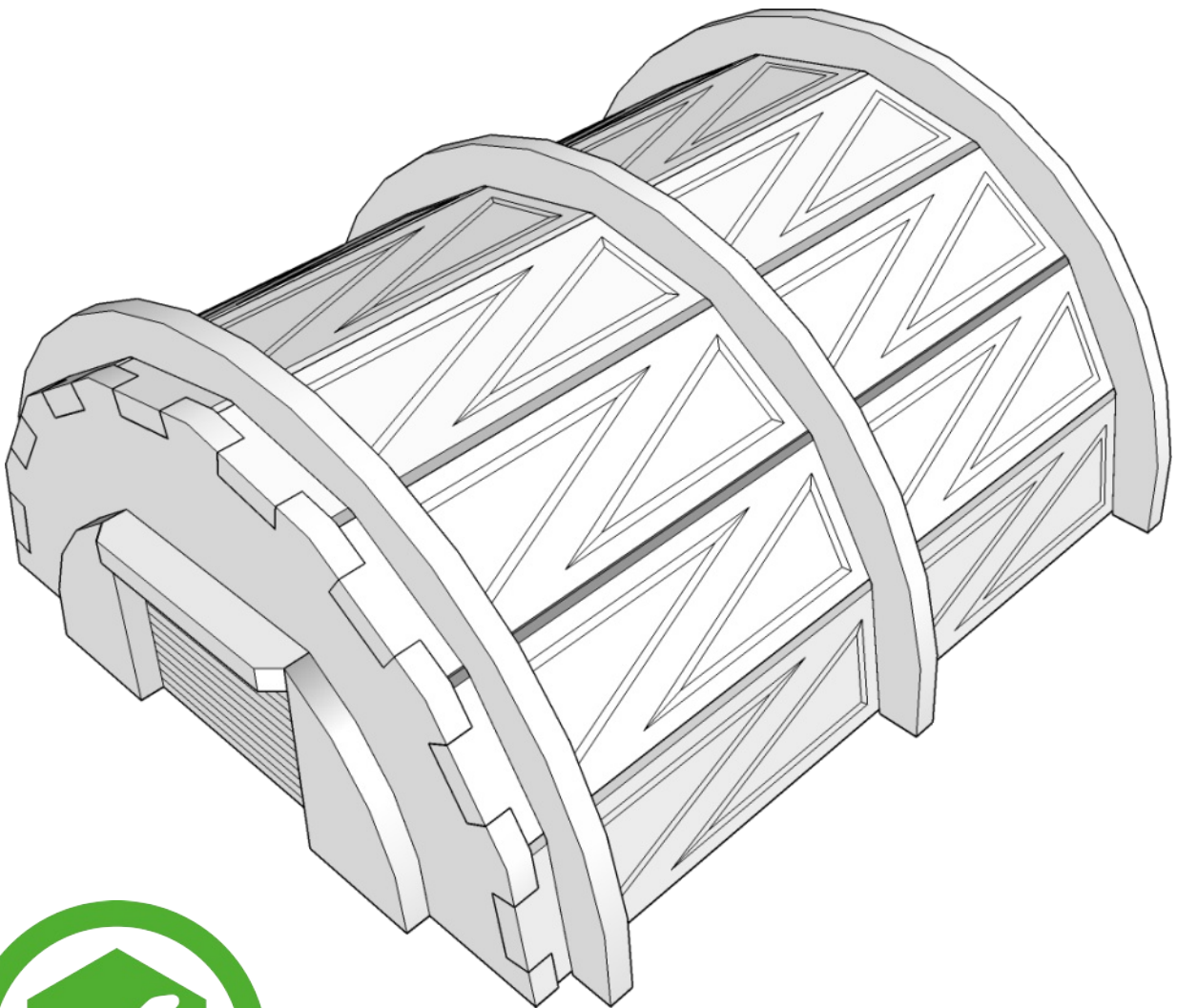


TABLETOP
SCENICS

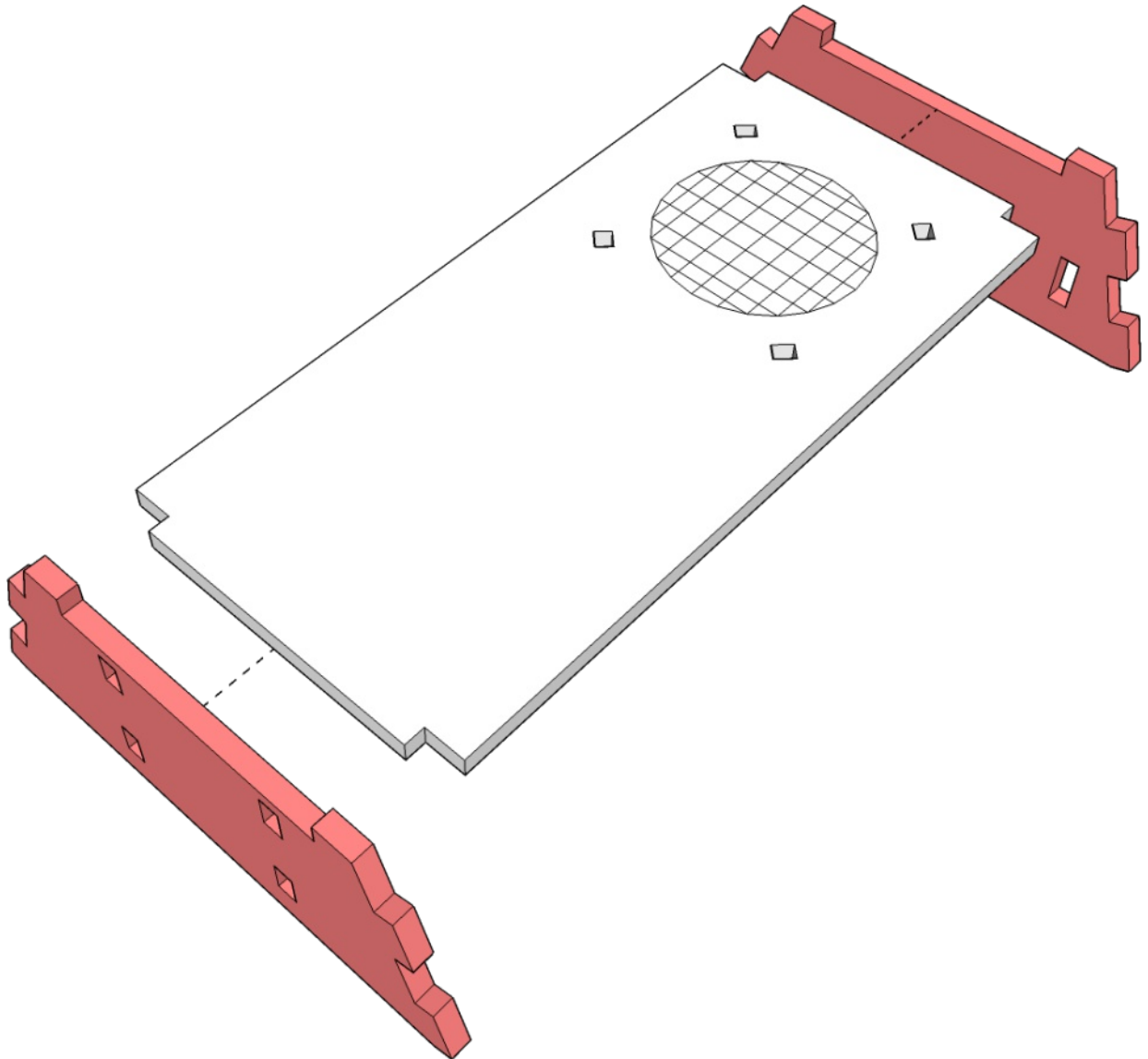
8

TTSC-SFX067
Compound Drack

x3



 **TTCOMBAT**

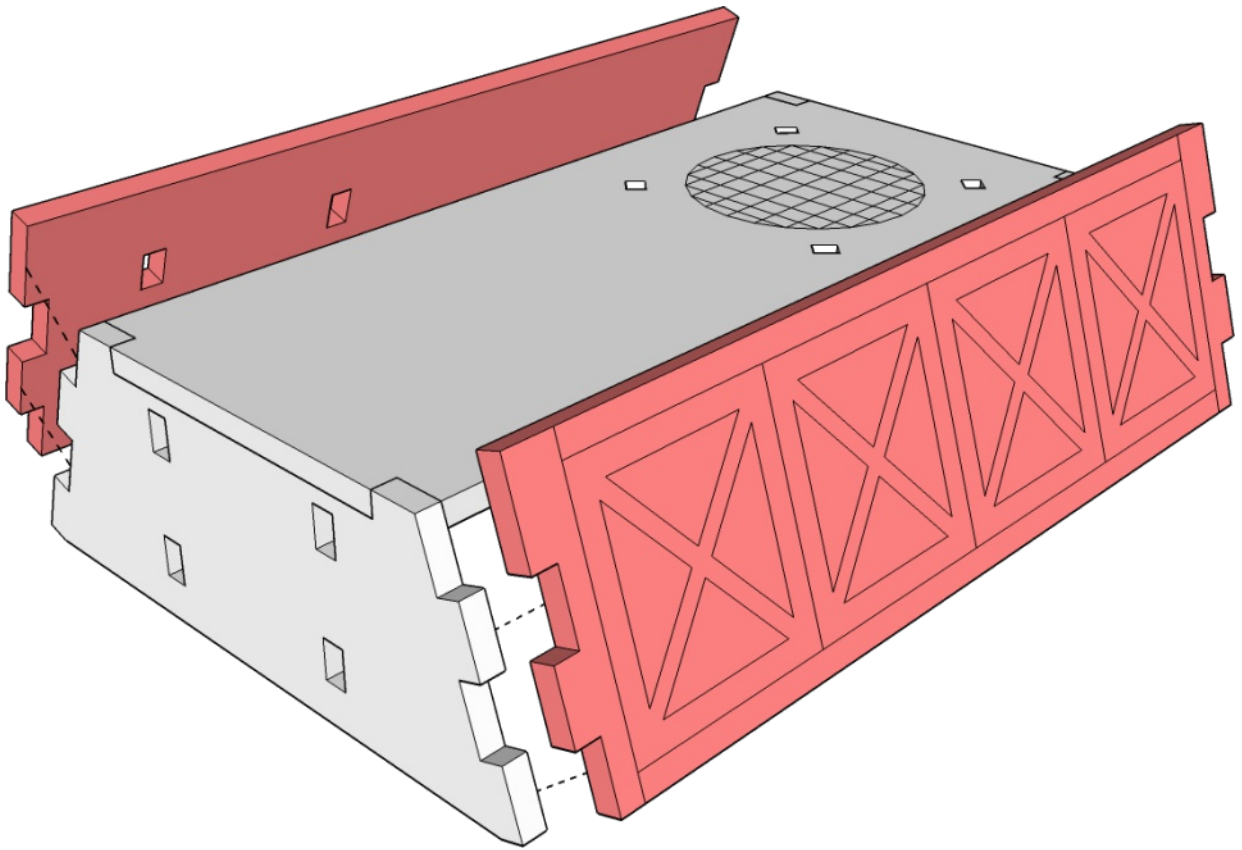


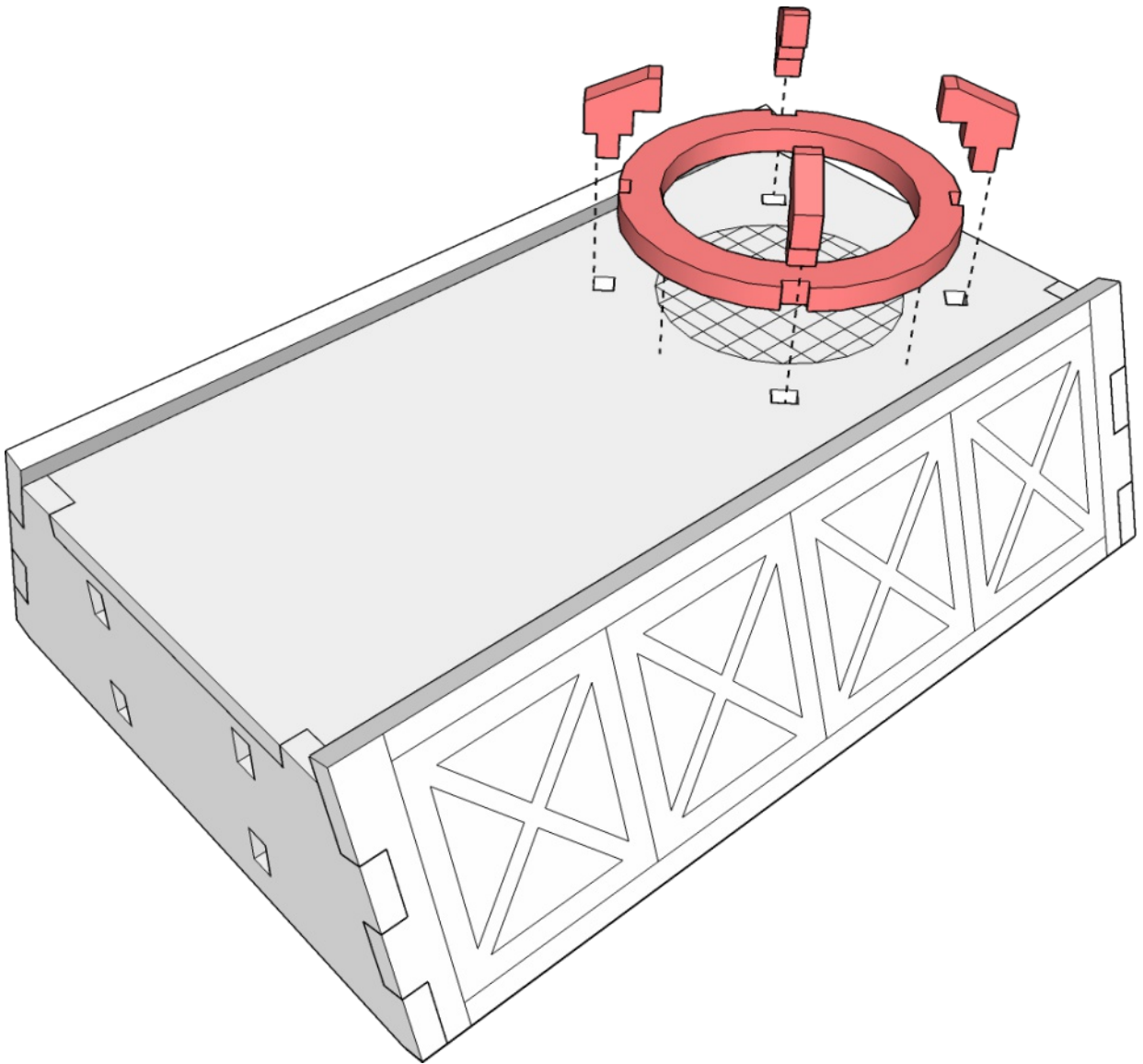


TABLETOP
SCENICS

10

TTSC-SFX067
Compound Drack



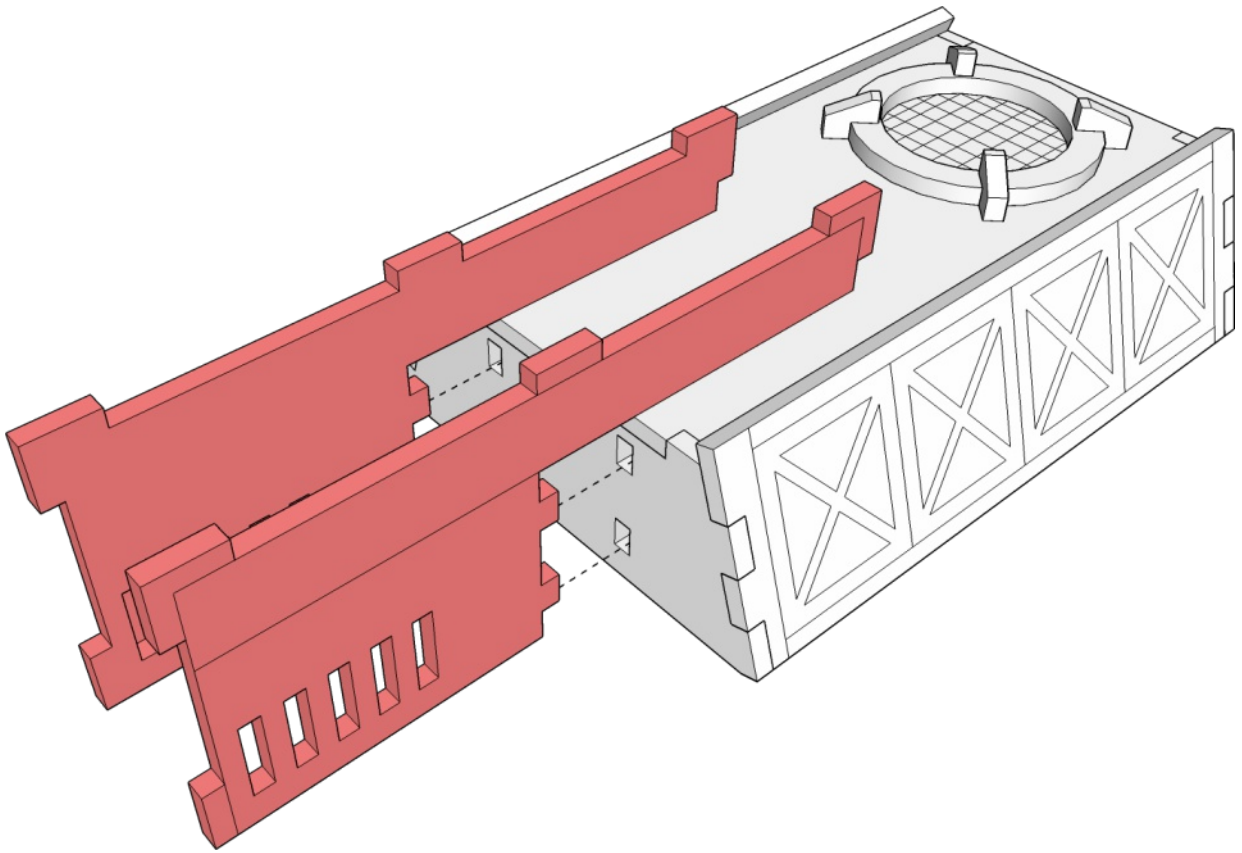


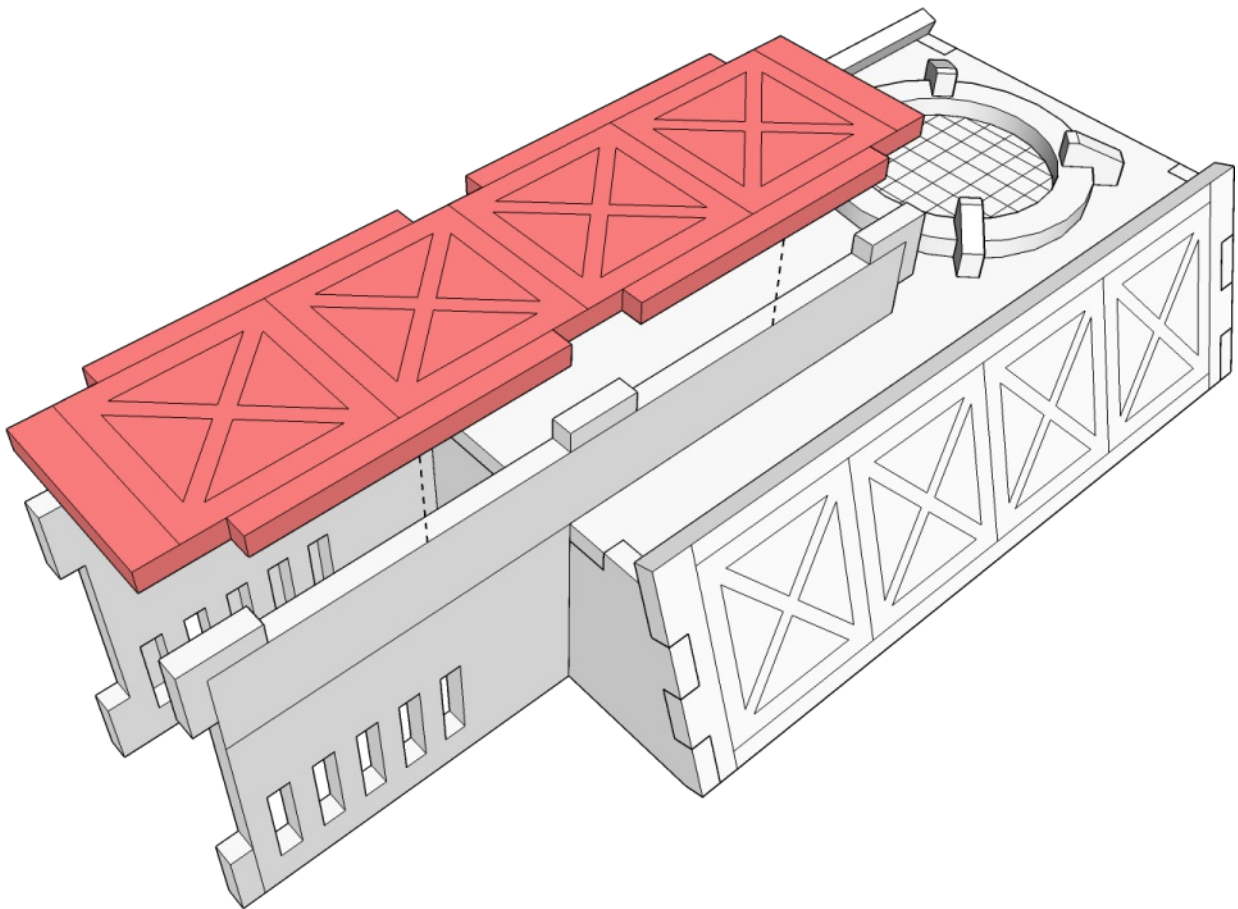


TABLETOP
SCENICS

12

TTSC-SFX067
Compound Drack



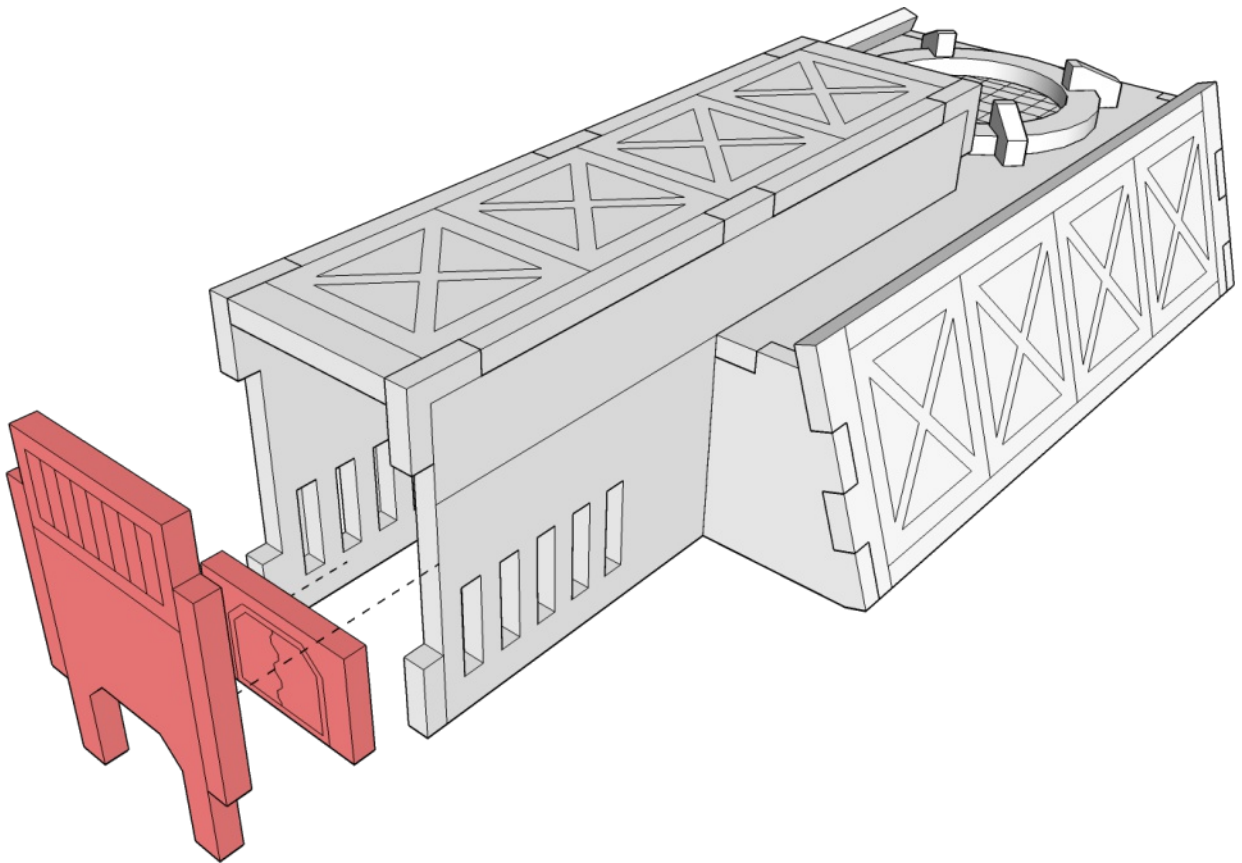




**TABLETOP
SCENICS**

14

**TTSC-SFX067
Compound Drack**

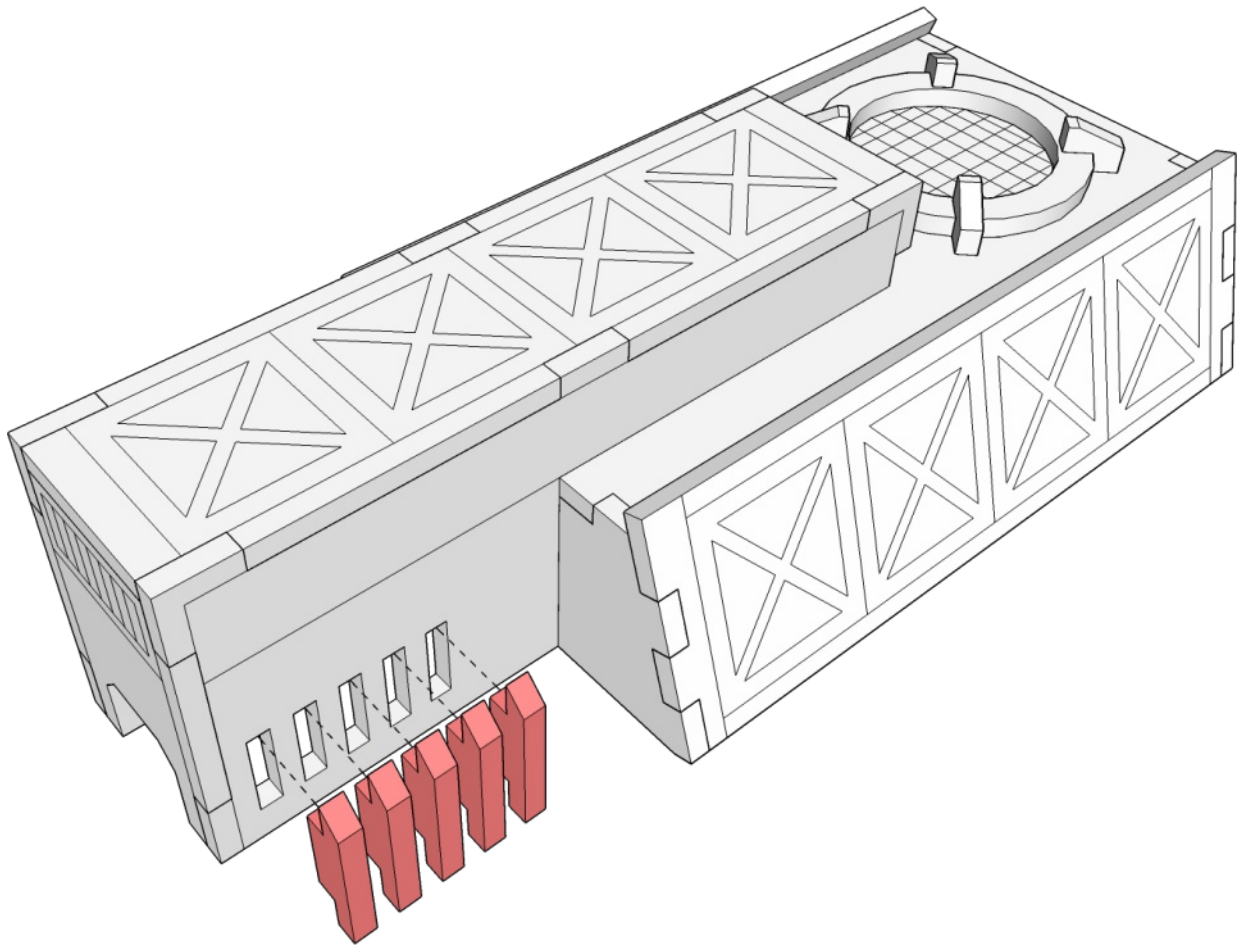




**TABLETOP
SCENICS**

15

**TTSC-SFX067
Compound Drack**

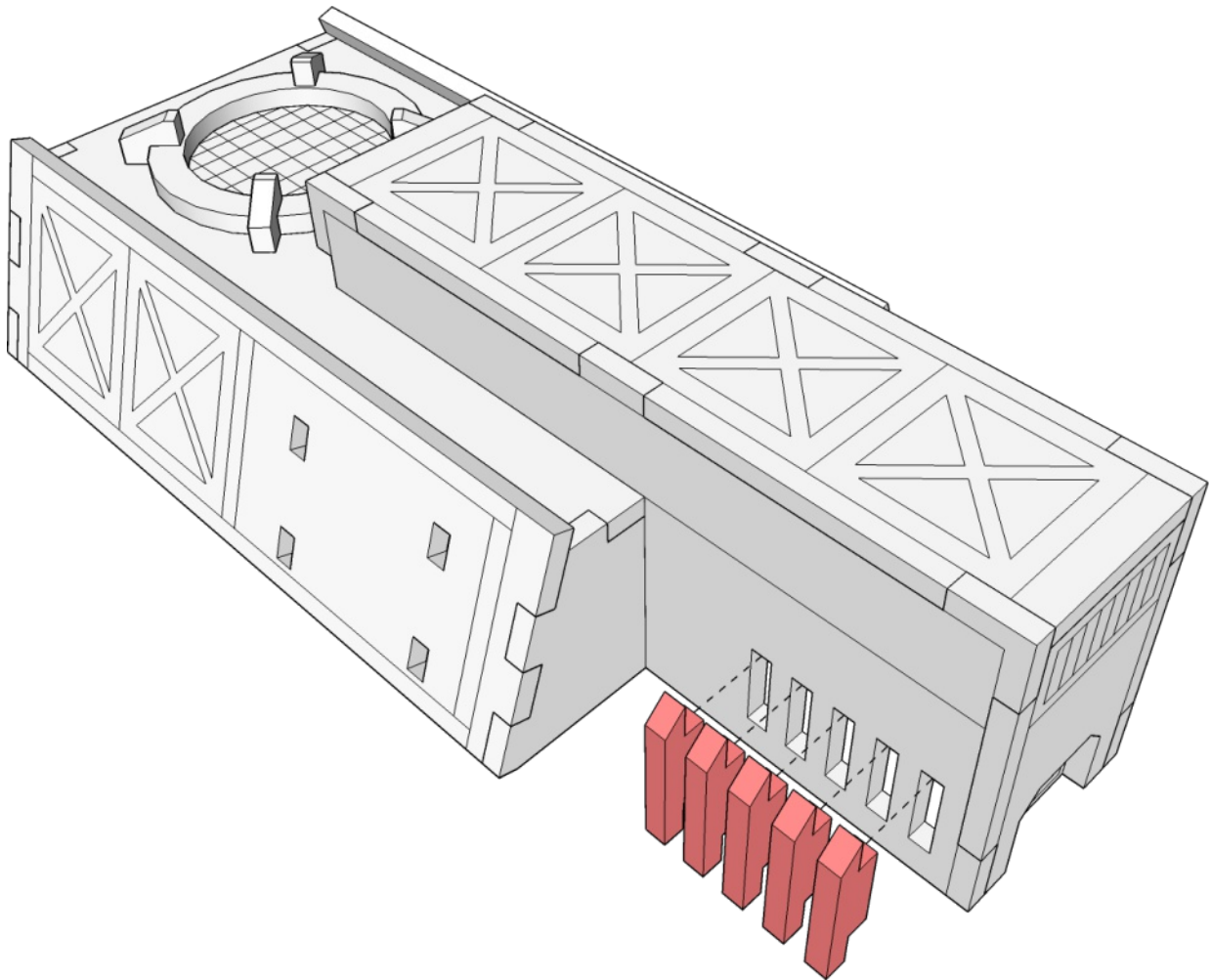




TABLETOP
SCENICS

16

TTSC-SFX067
Compound Drack



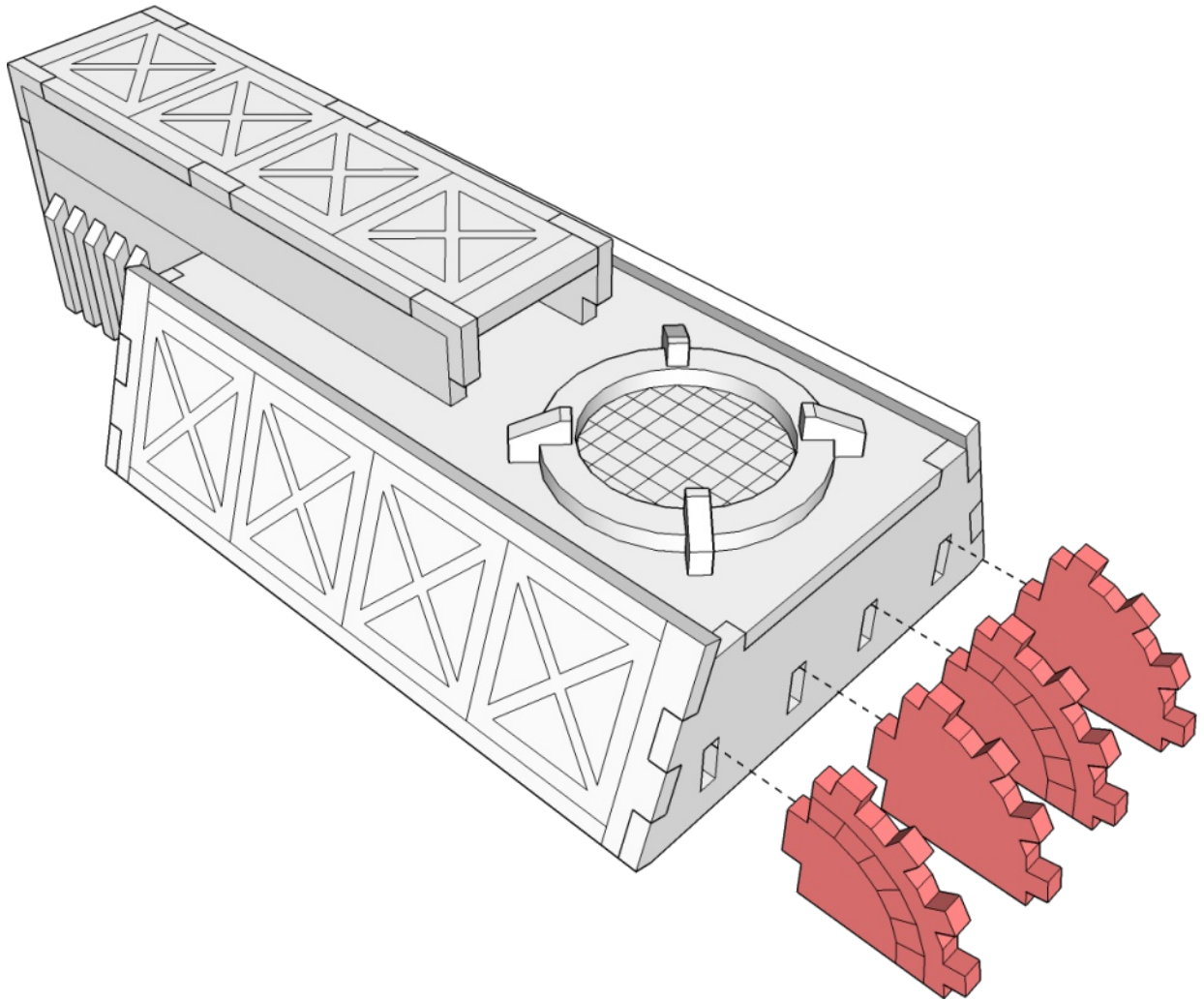
 **TTCOMBAT**



TABLETOP SCENICS

17

TTSC-SFX067
Compound Drack

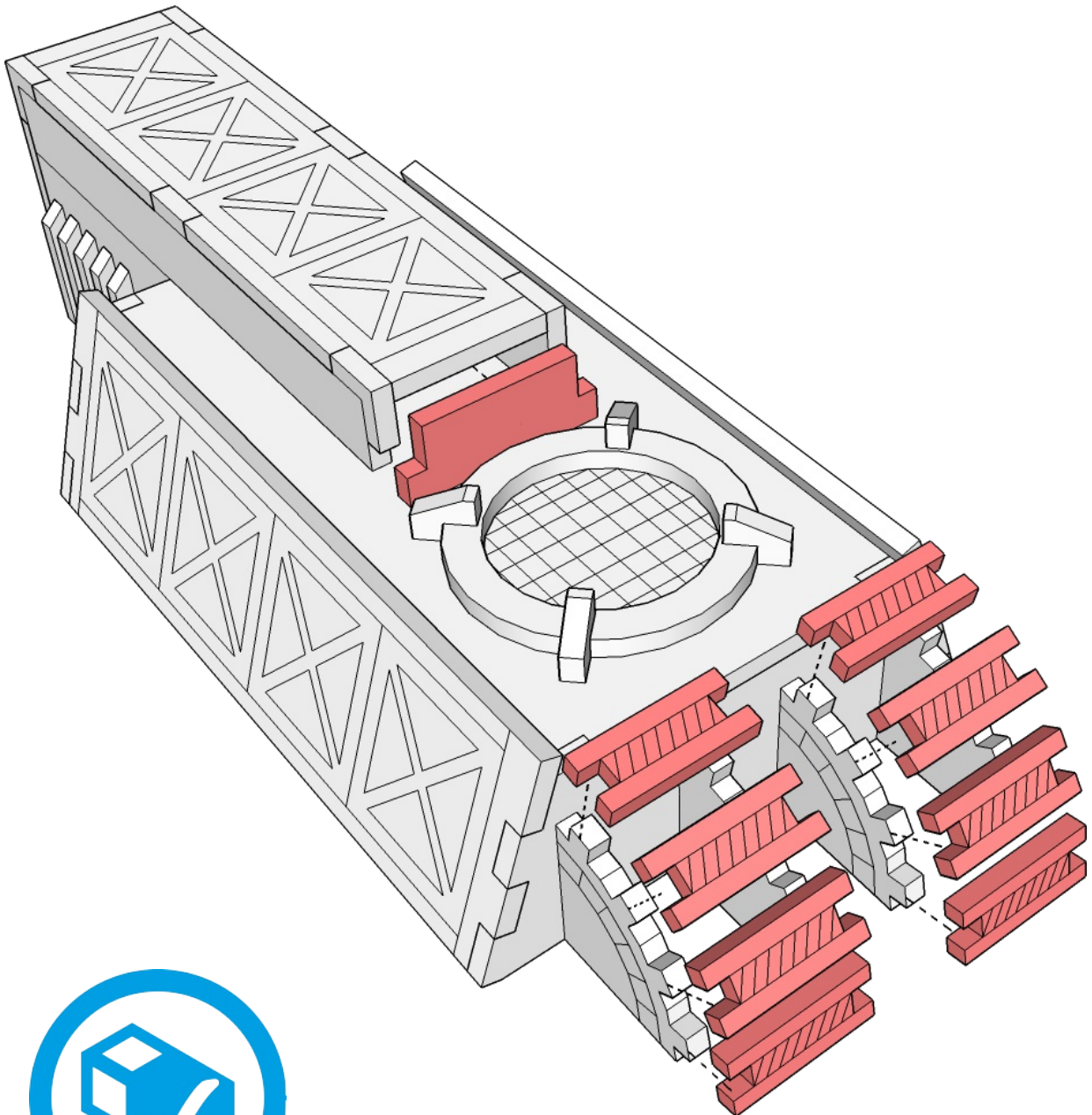


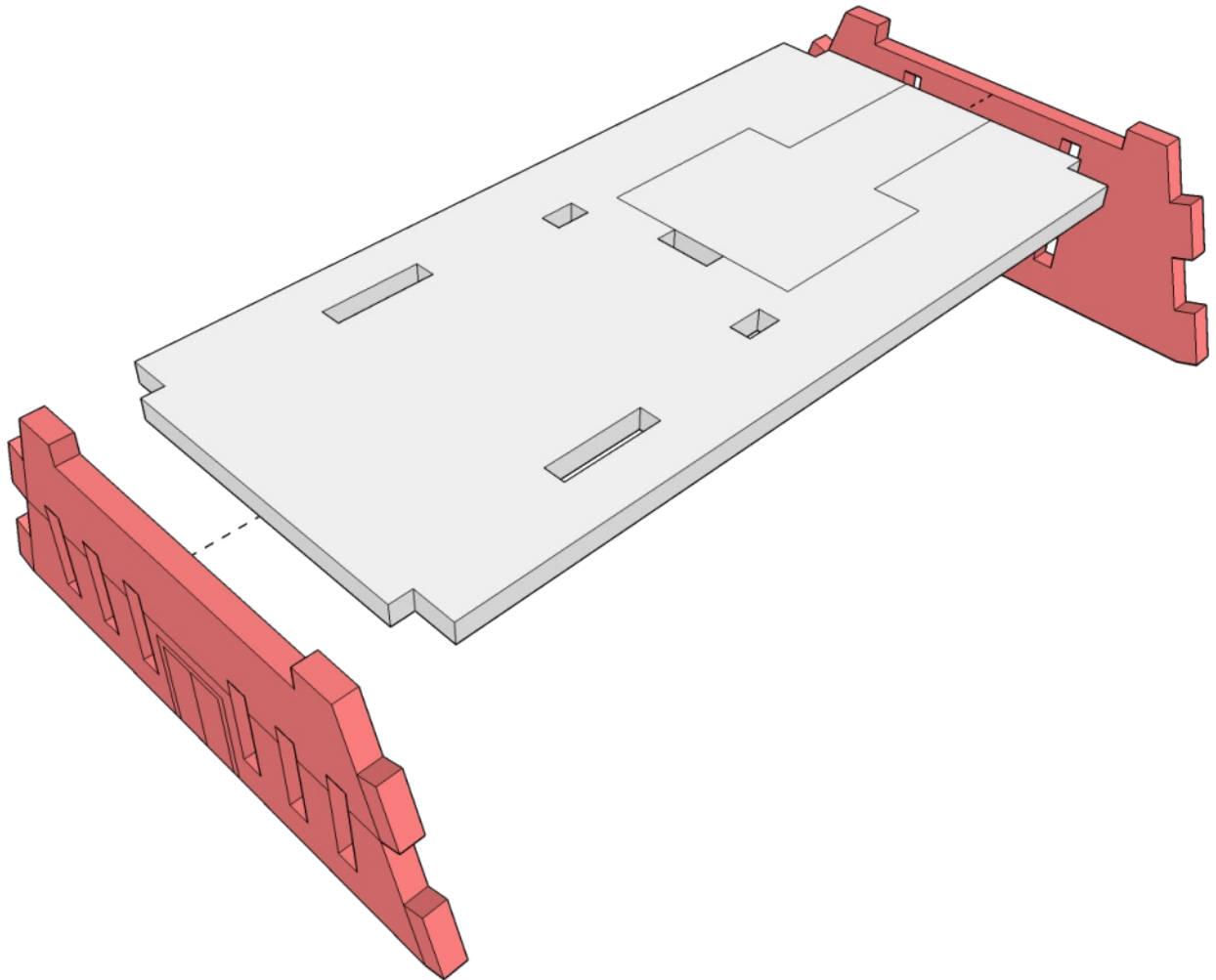


TABLETOP
SCENICS

18

TTSC-SFX067
Compound Drack



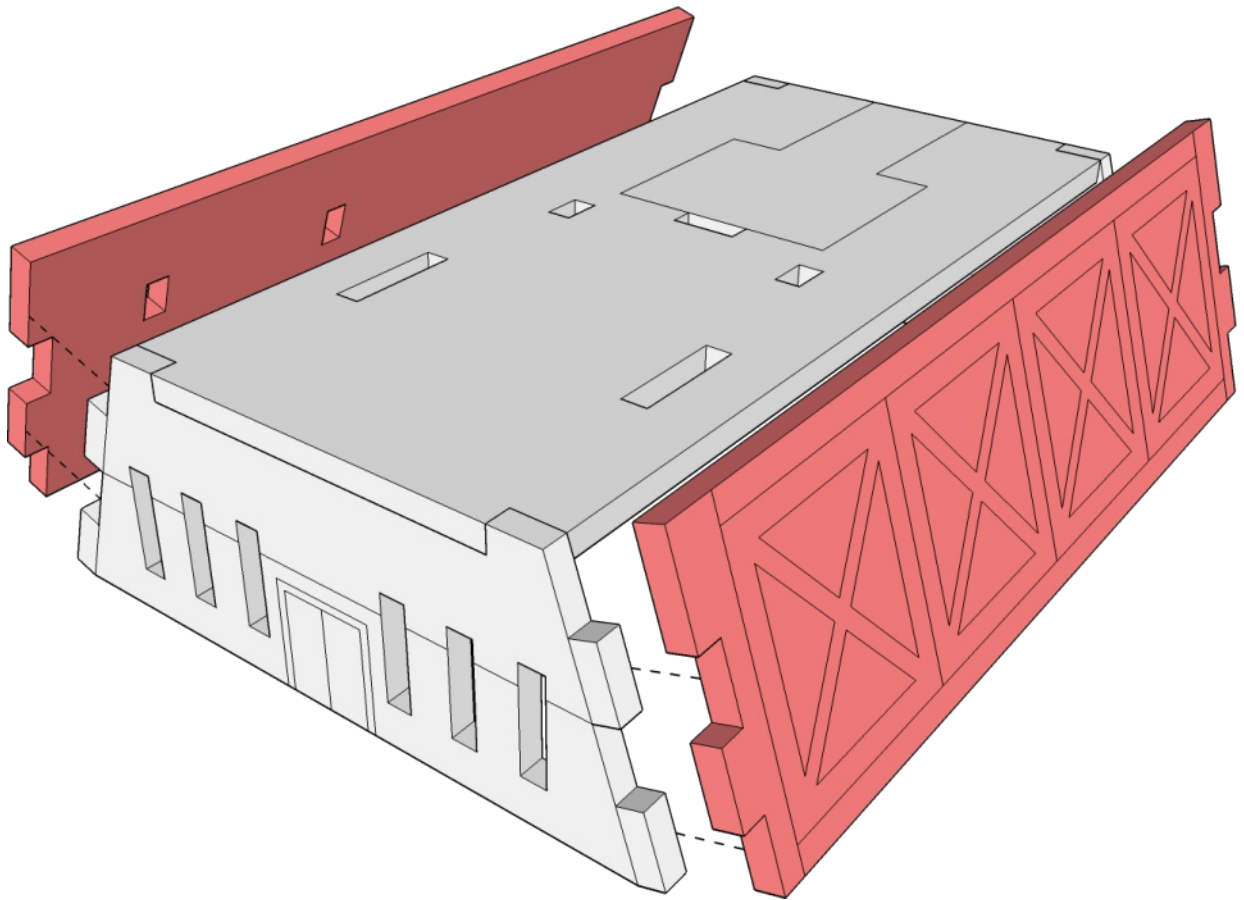


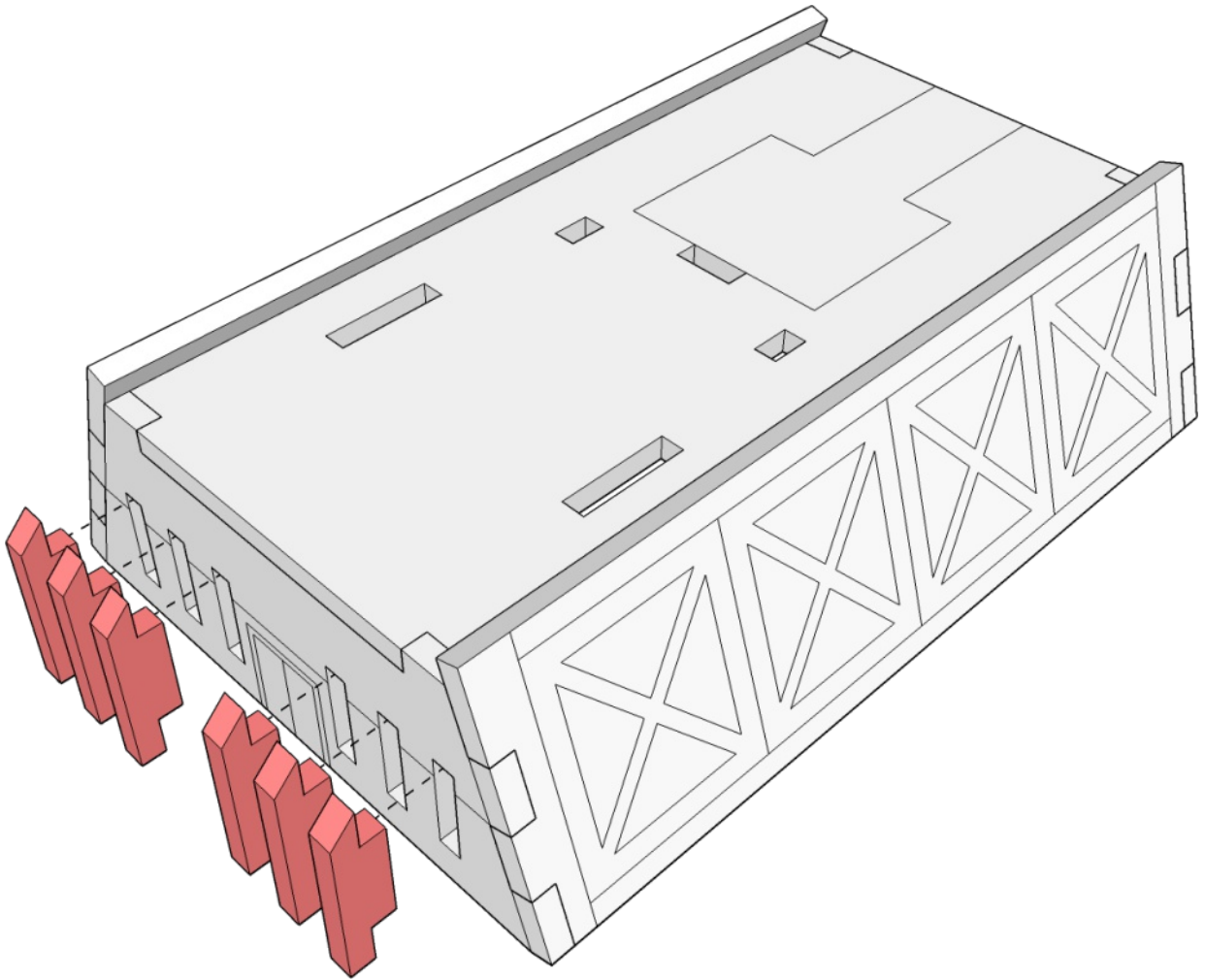


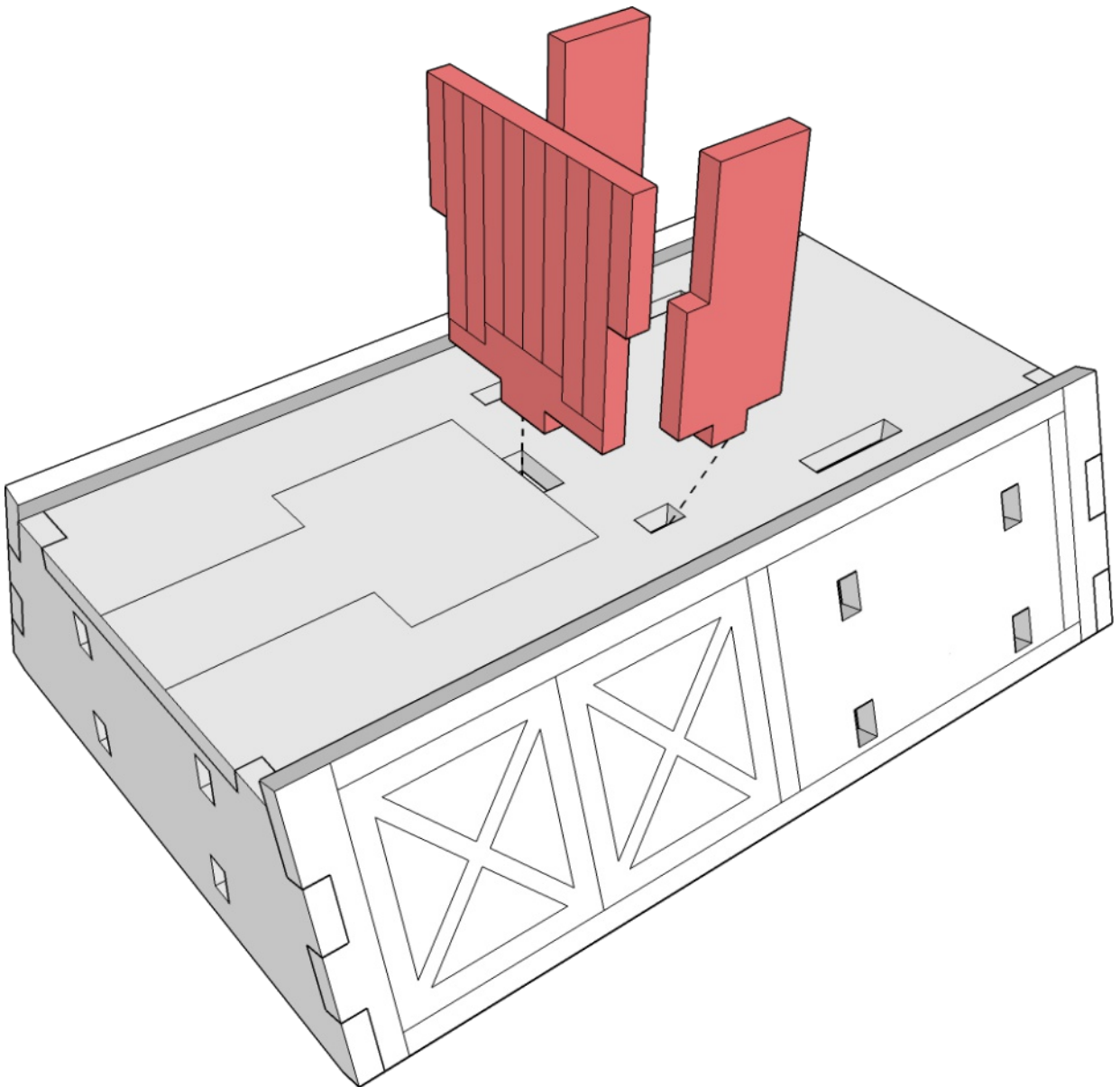
TABLETOP
SCENICS

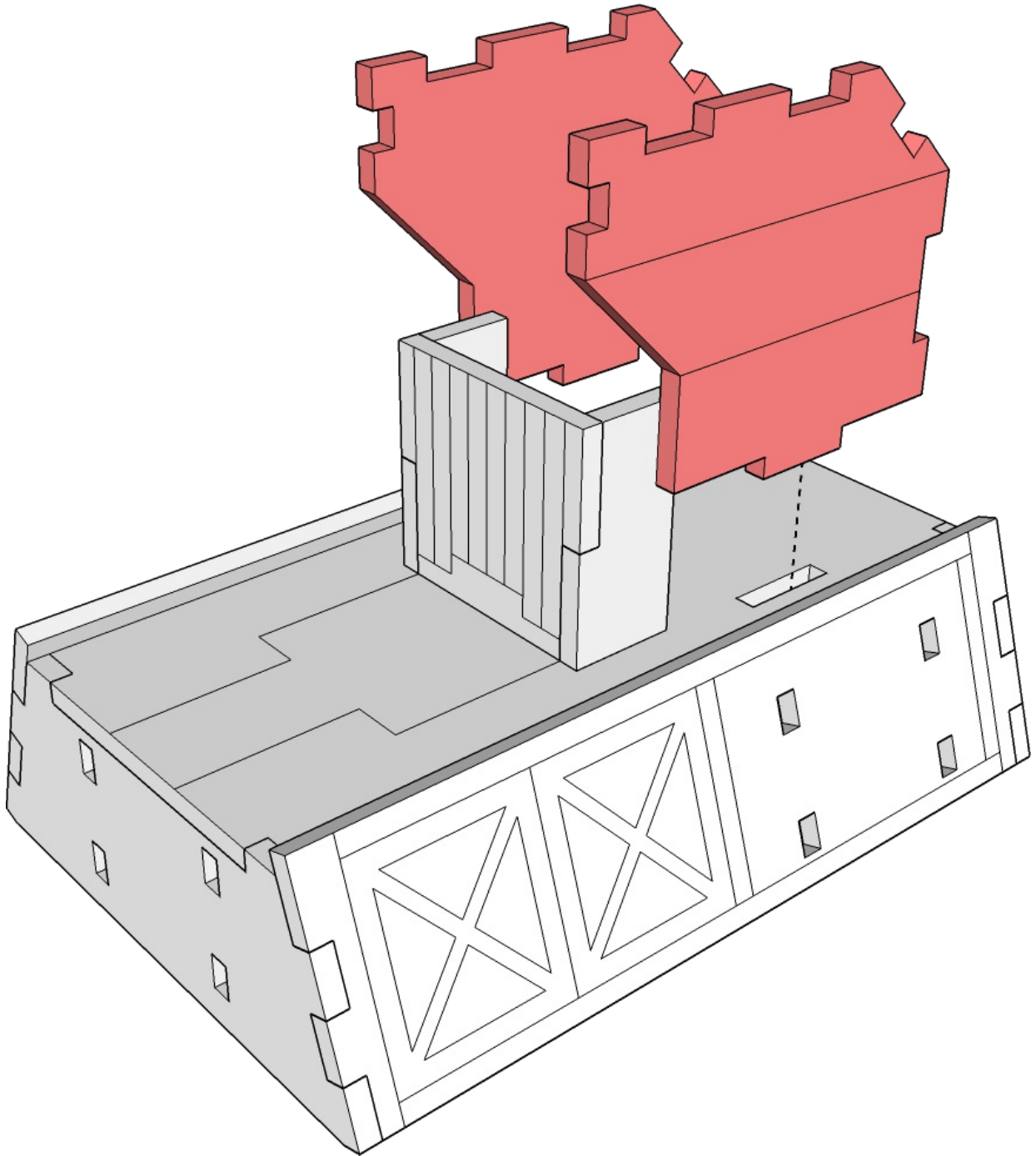
20

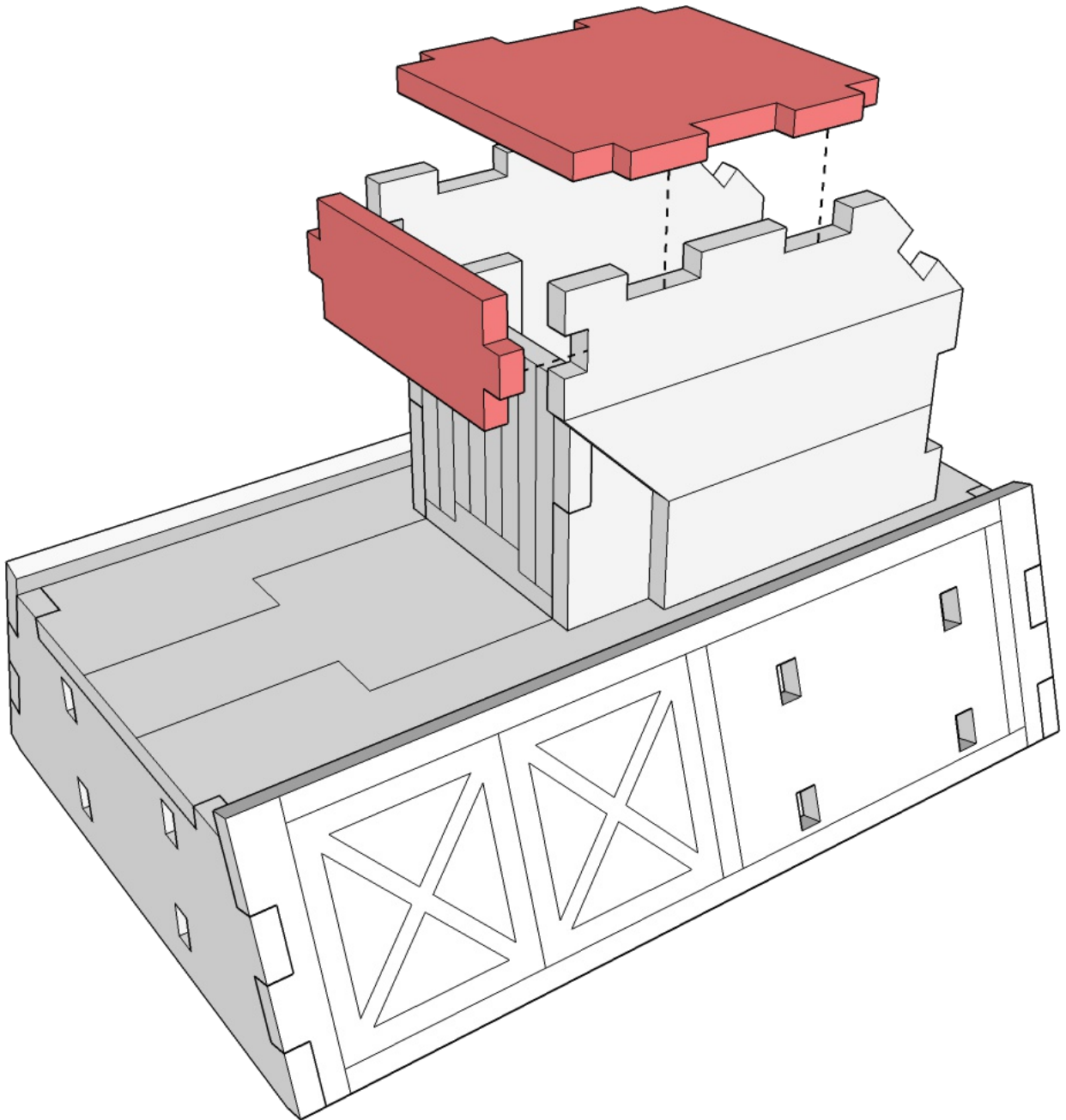
TTSC-SFX067
Compound Drack









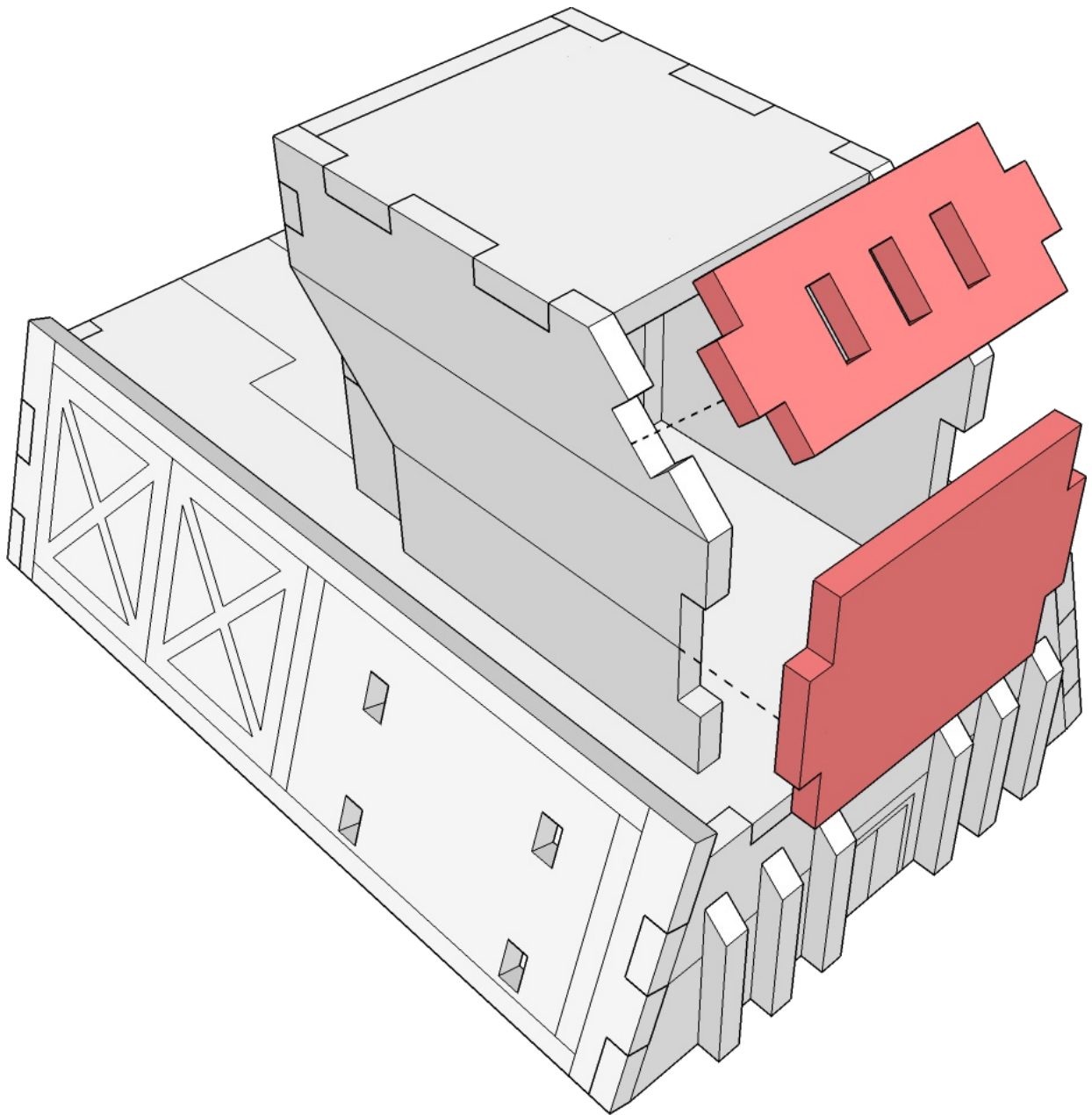




TABLETOP
SCENICS

25

TTSC-SFX067
Compound Drack



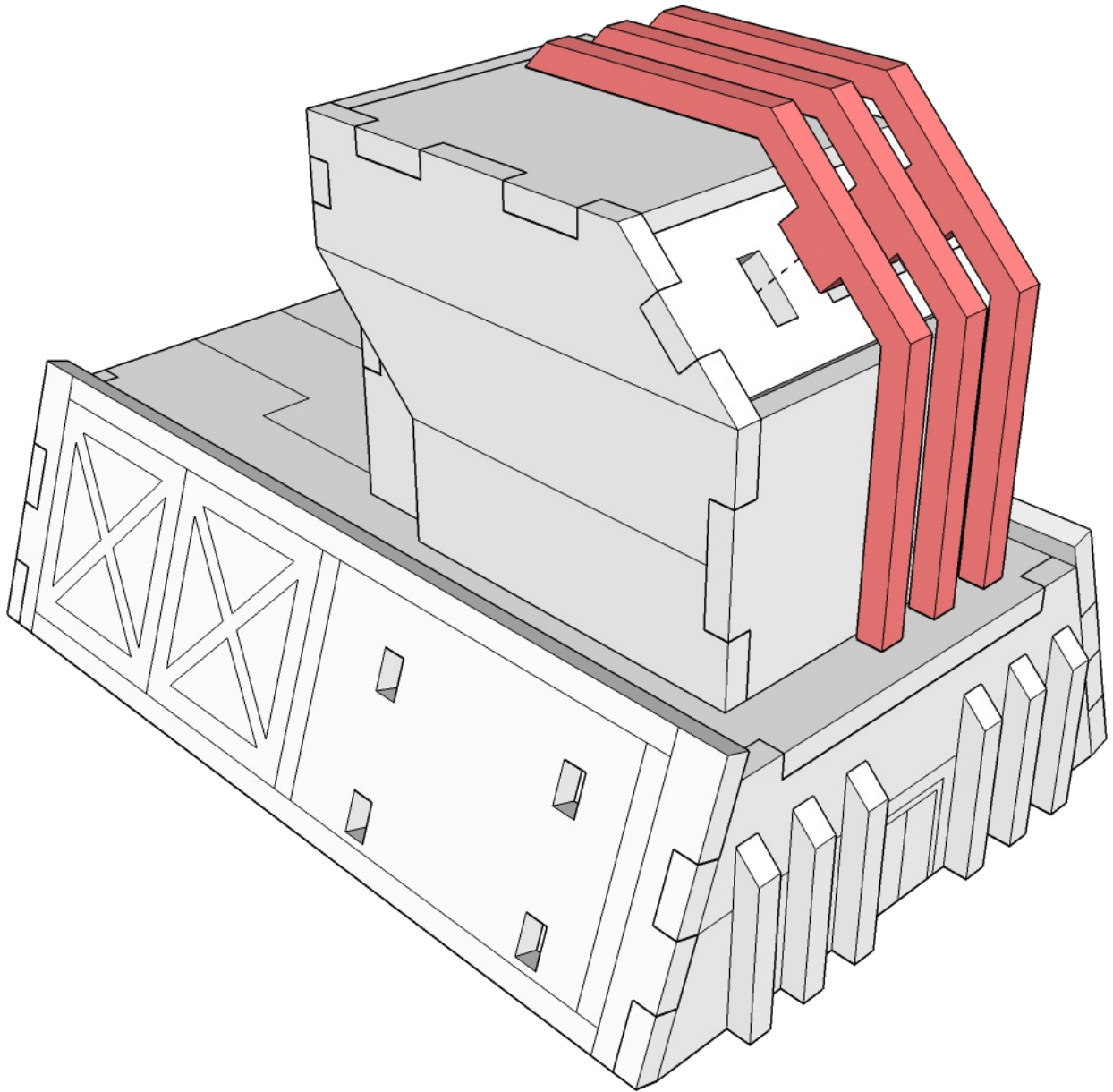
 **TTCOMBAT**



TABLETOP
SCENICS

26

TTSC-SFX067
Compound Drack



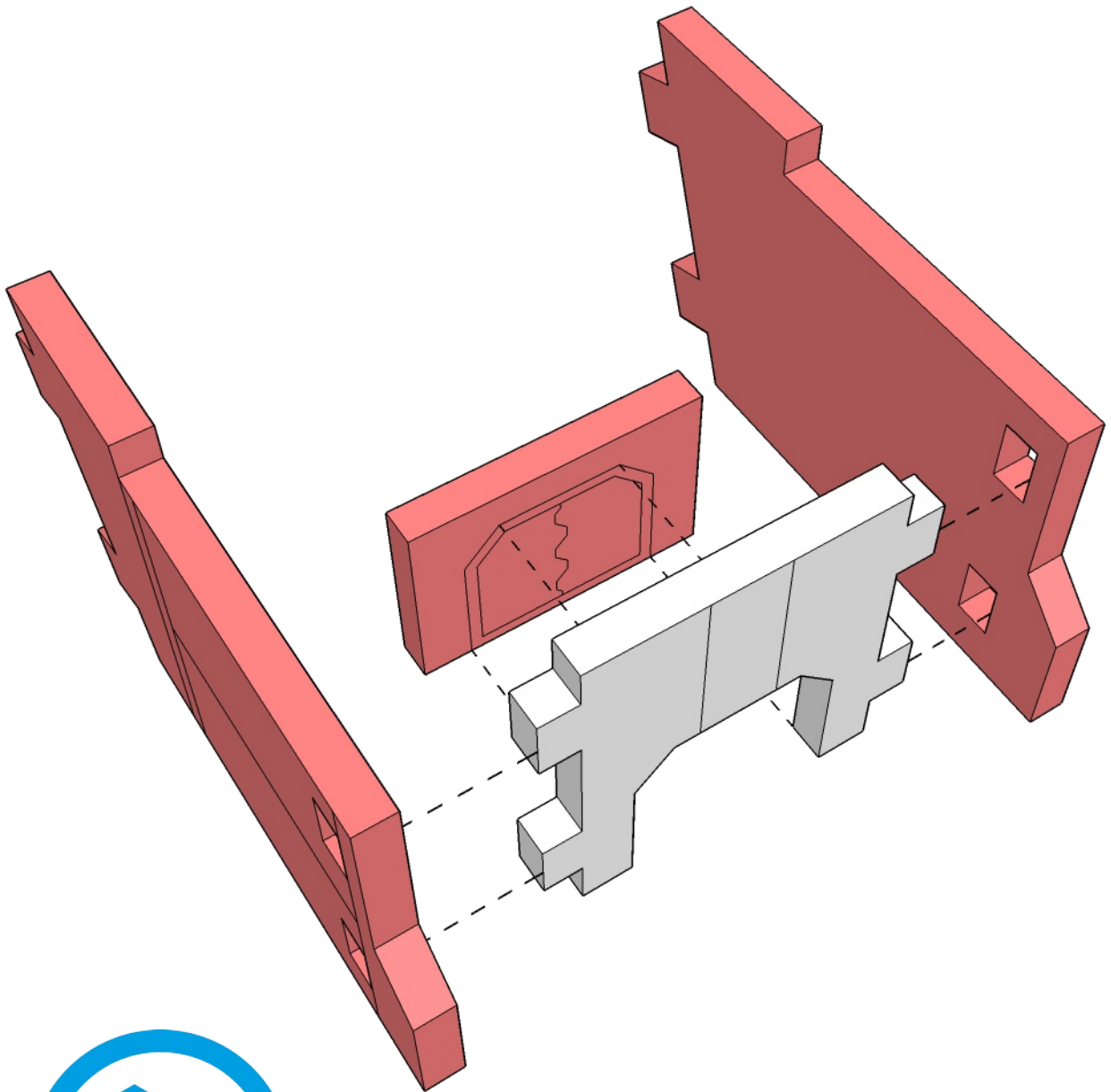
 **TTCOMBAT**

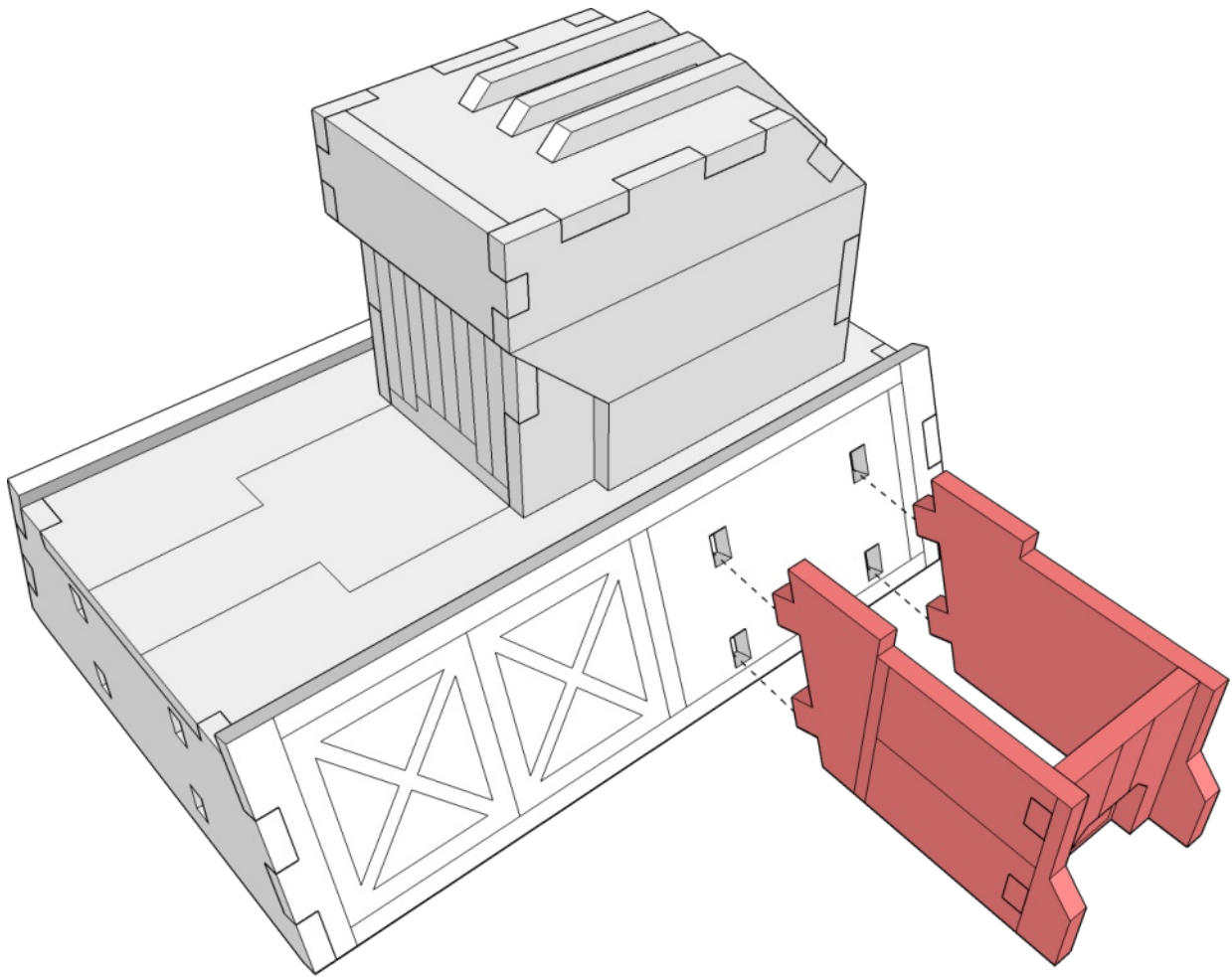


TABLETOP
SCENICS

27

TTSC-SFX067
Compound Drack



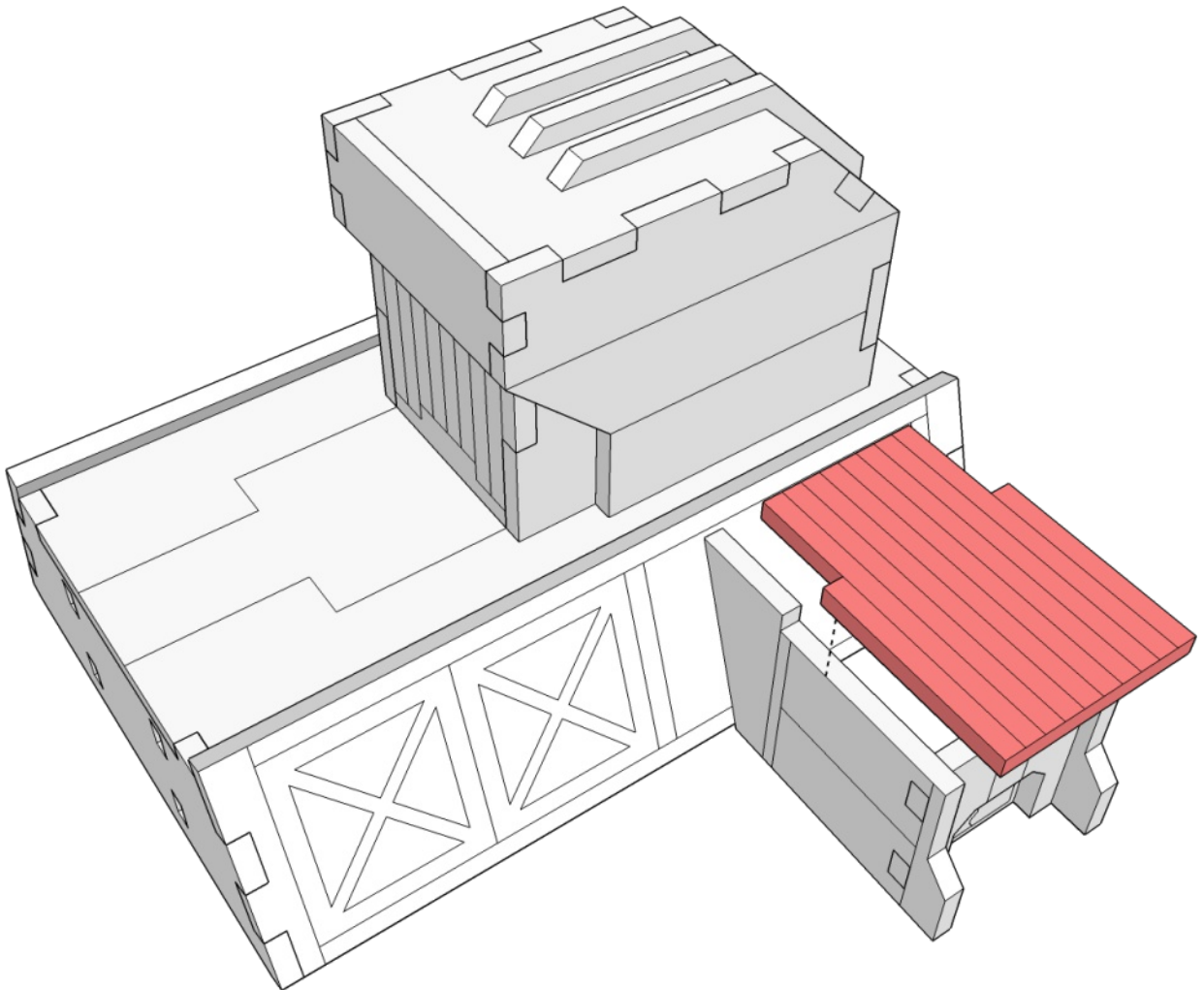




TABLETOP
SCENICS

29

TTSC-SFX067
Compound Drack

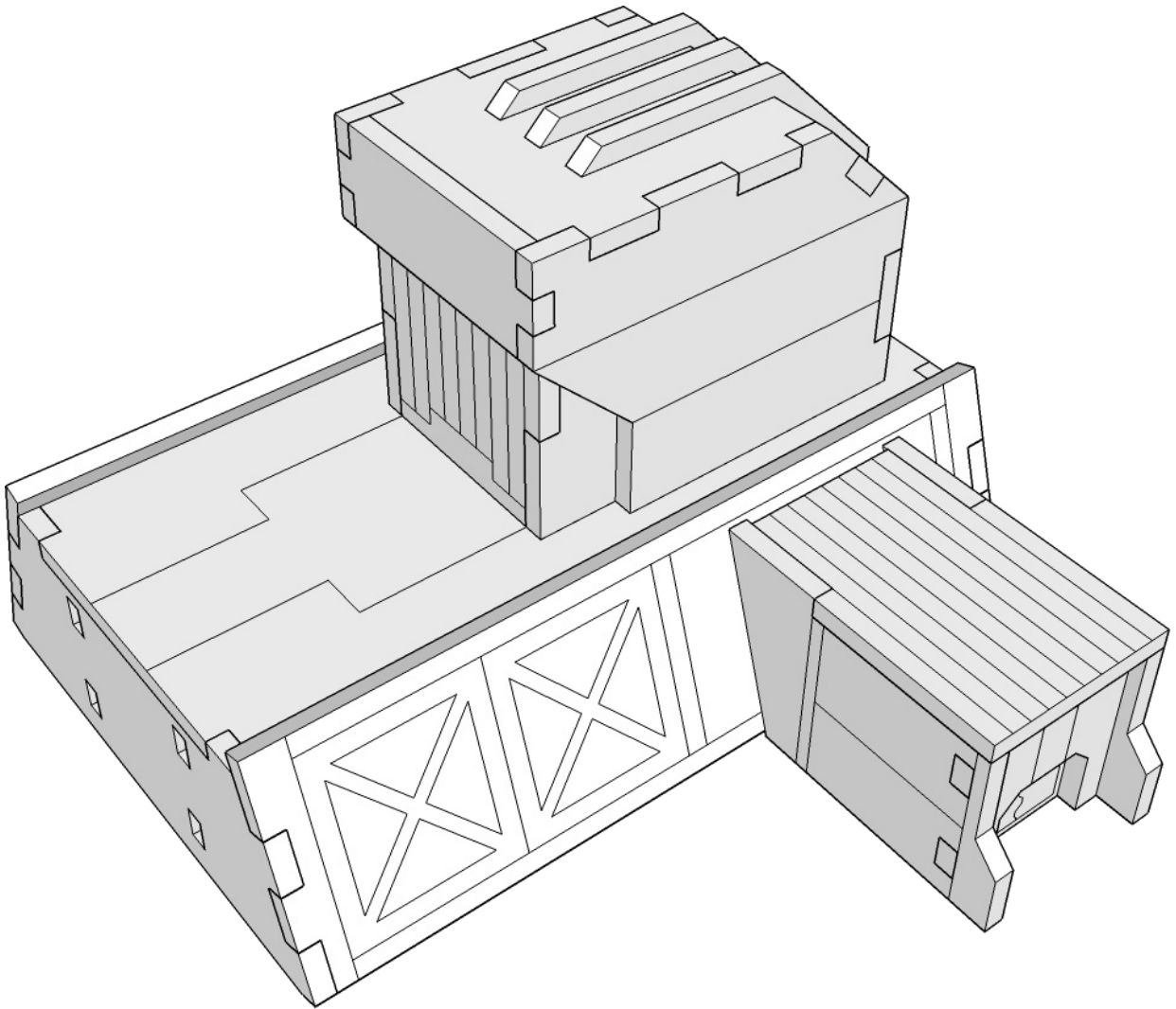


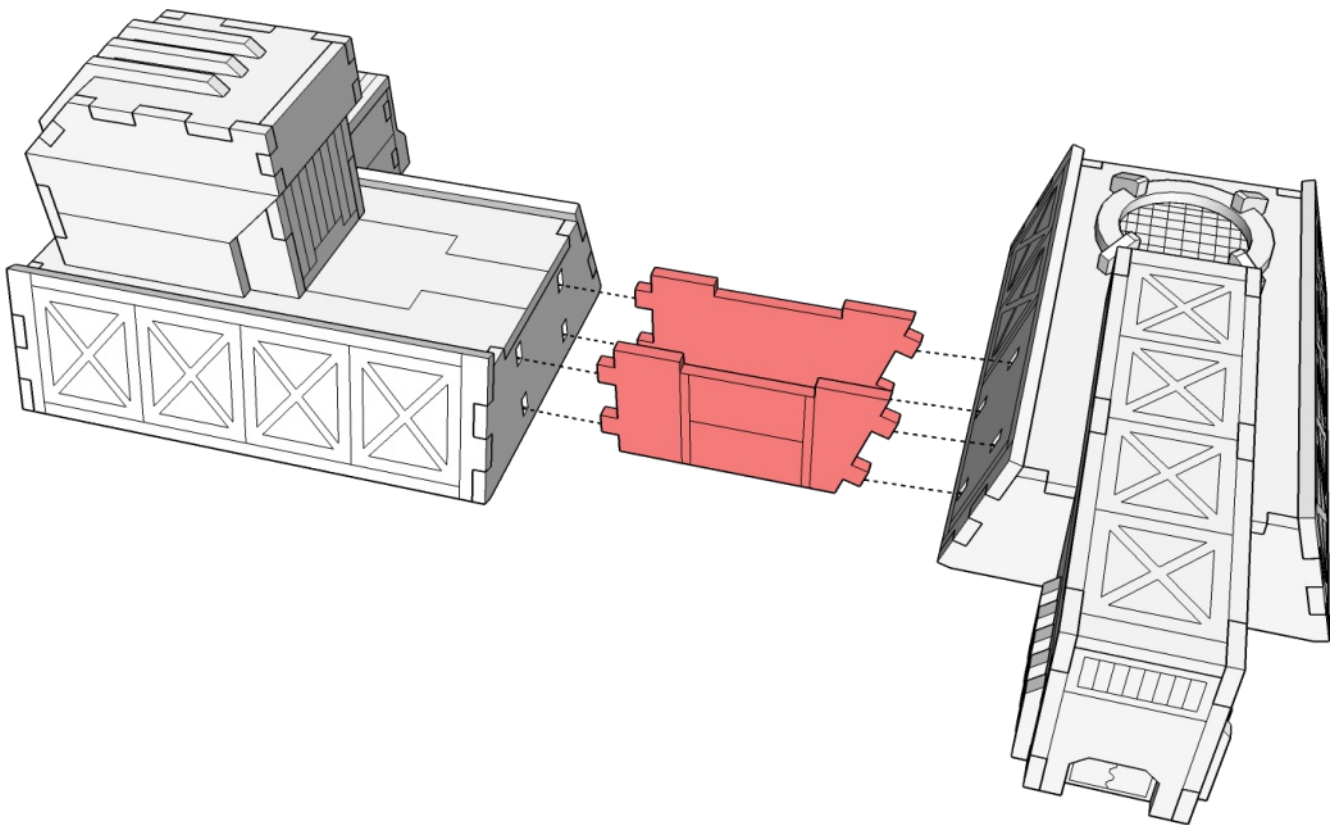


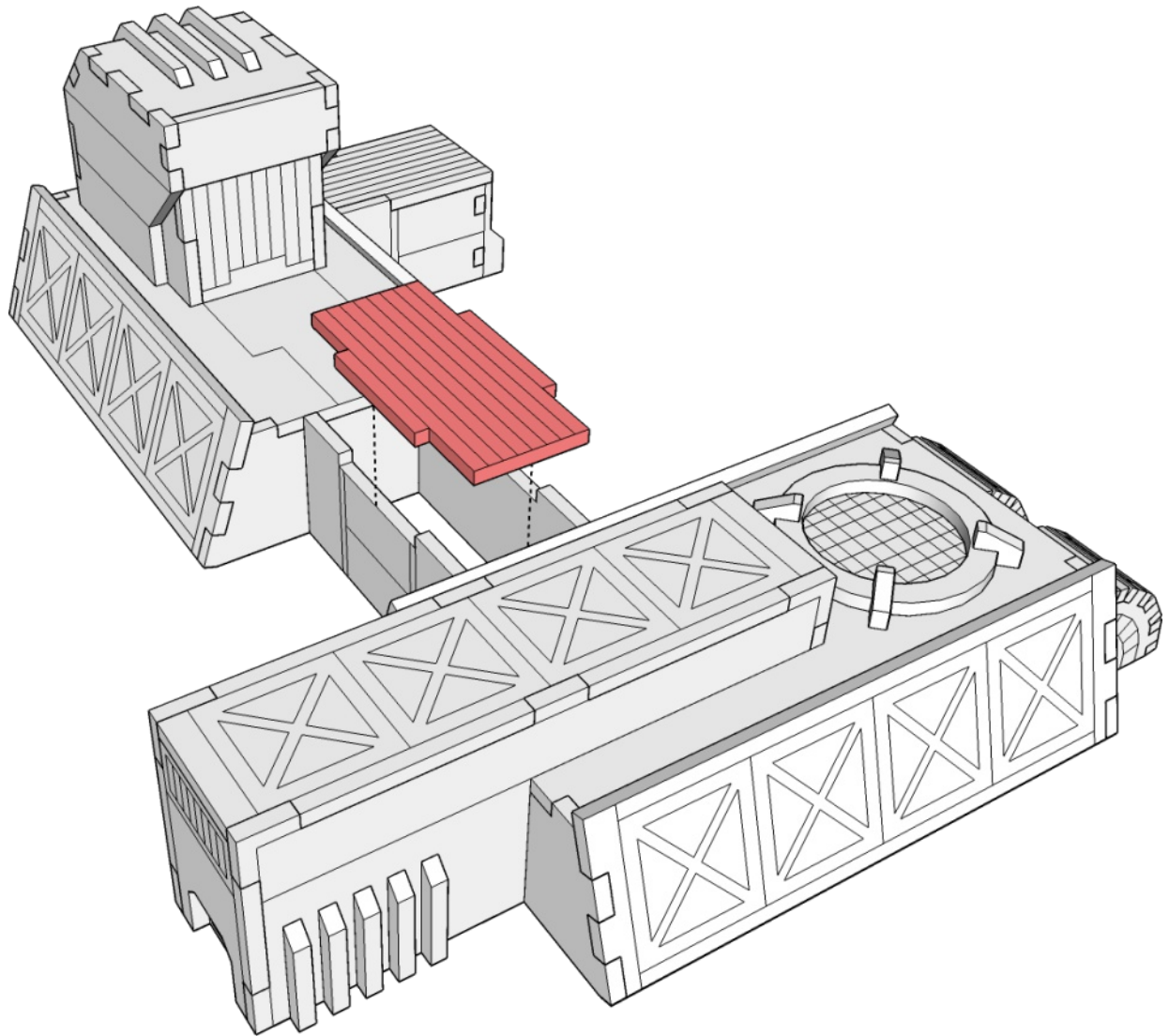
TABLETOP
SCENICS

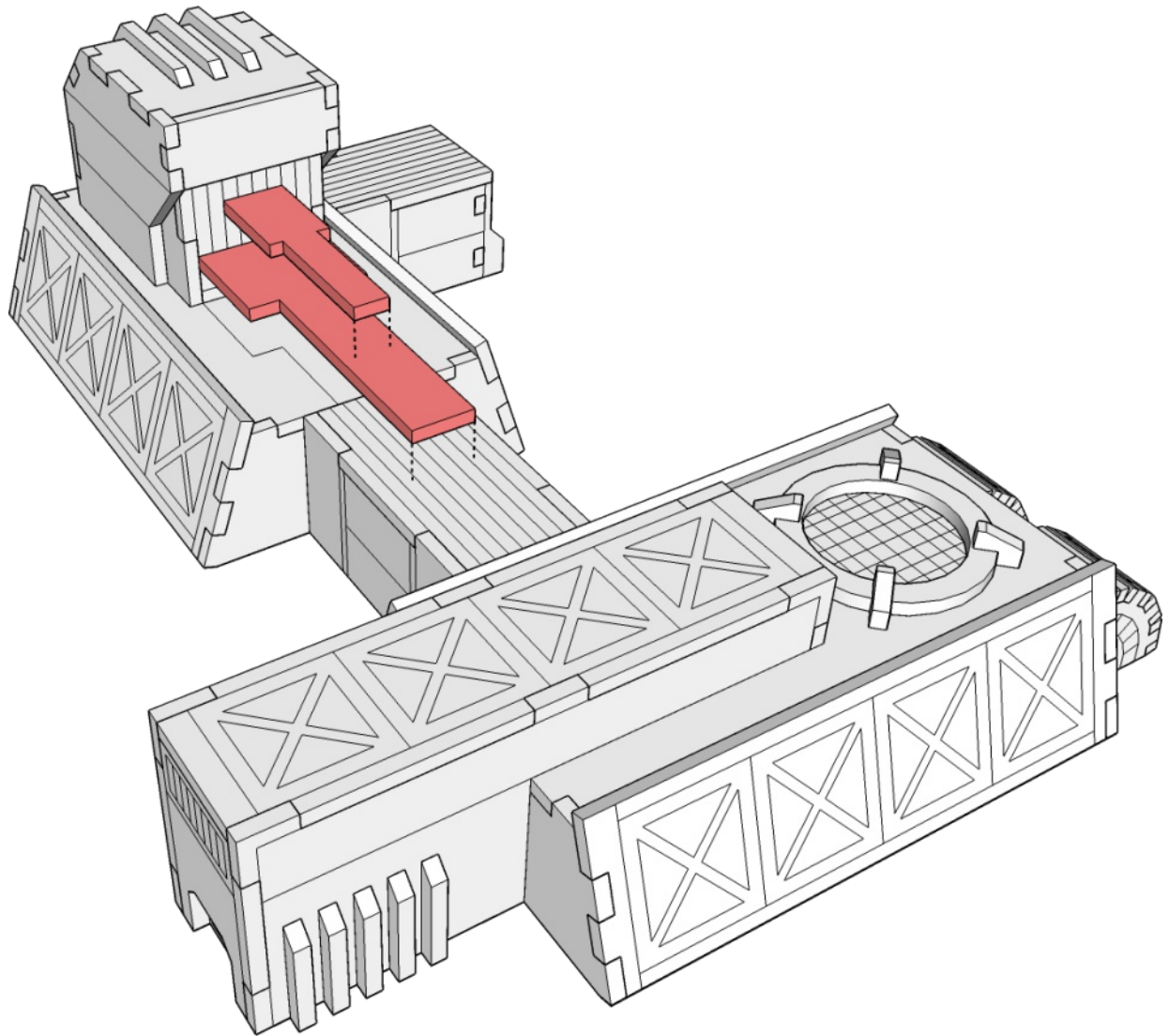
30

TTSC-SFX067
Compound Drack







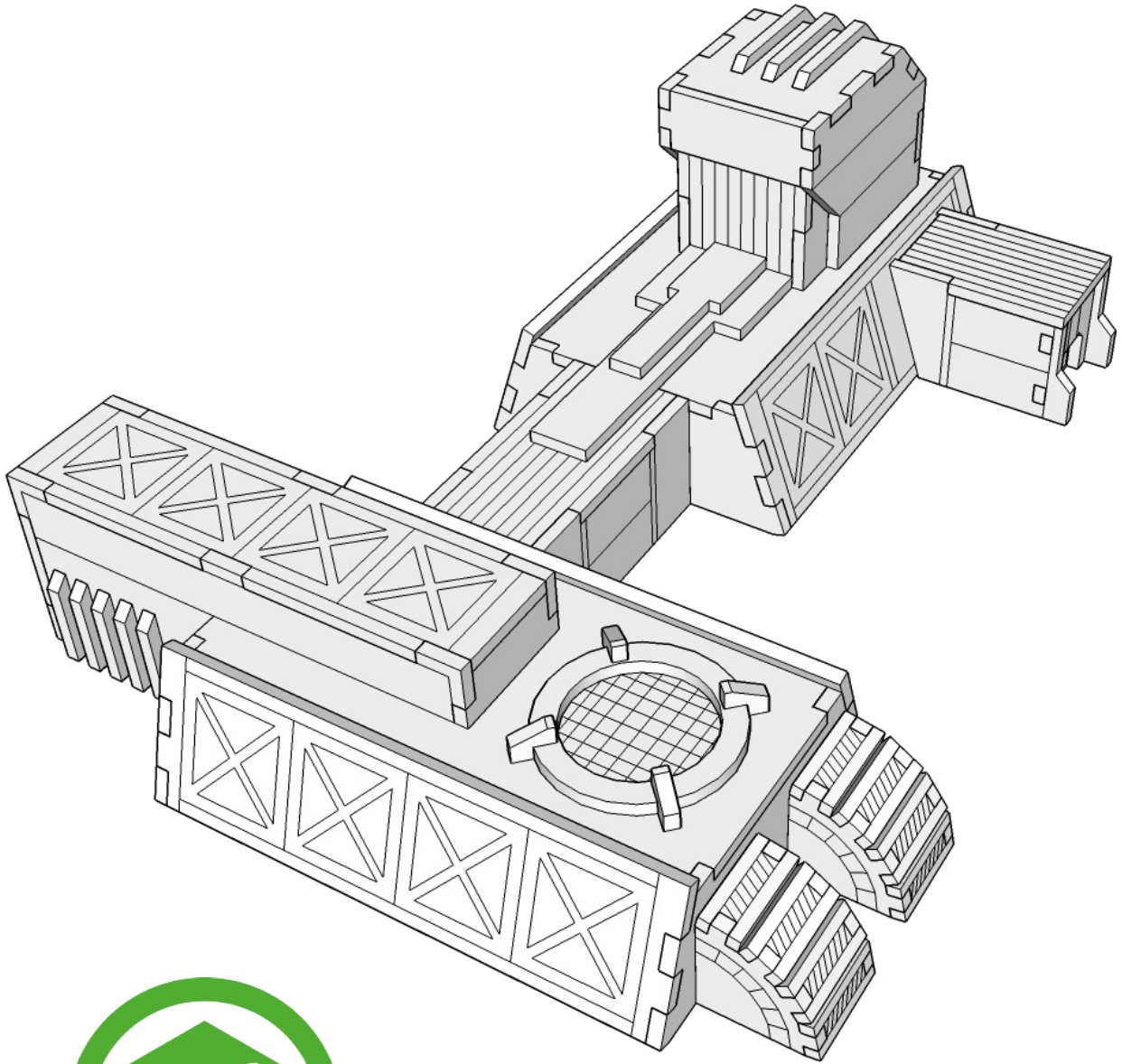




TABLETOP
SCENICS

34

TTSC-SFX067
Compound Drack





TABLETOP SCENICS

35

TTSC-SFX067
Compound Drack

