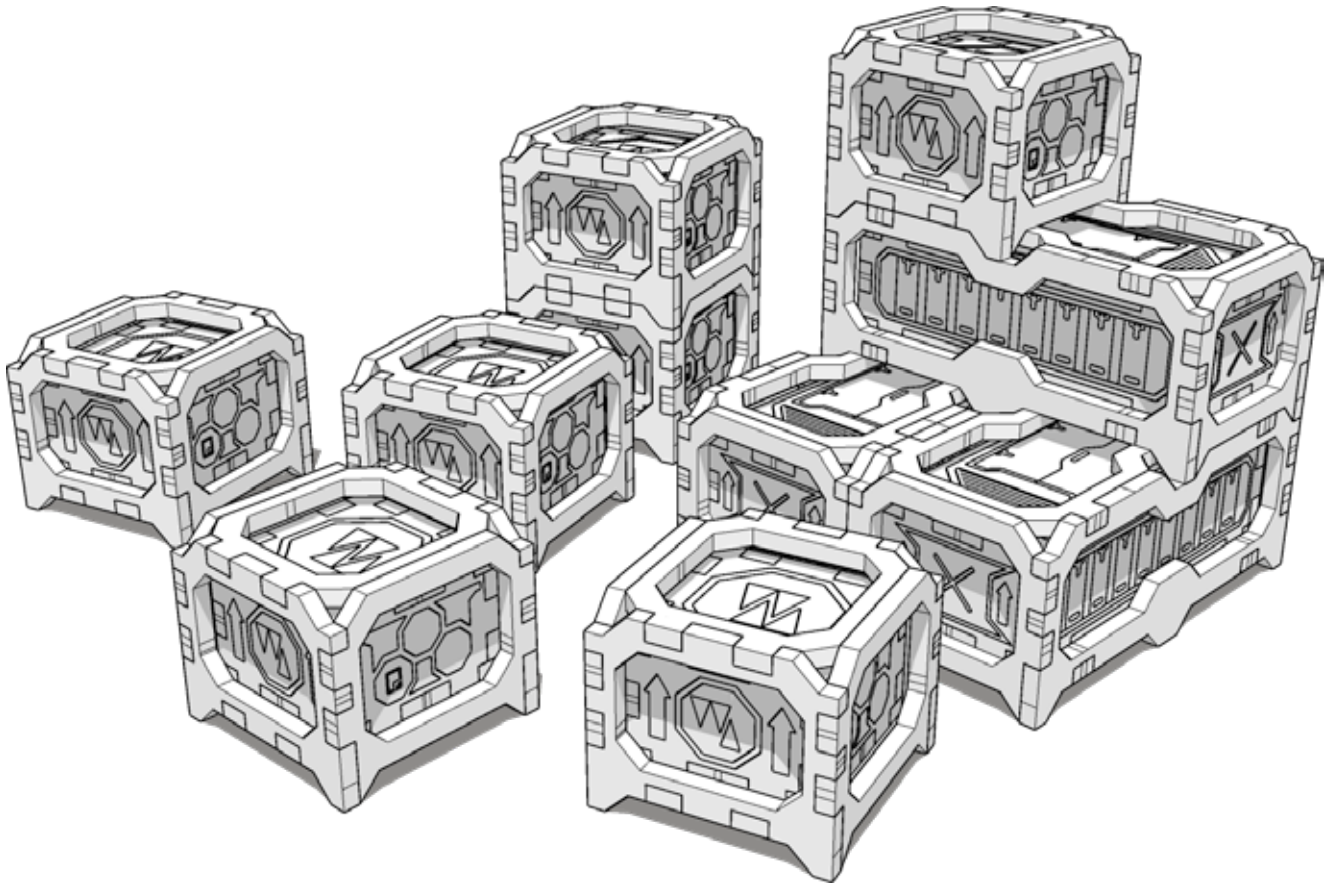




**TABLETOP
SCENICS**

**TTSCW-SFU-168
S.I.R Pallets**



 **TTCOMBAT**



2

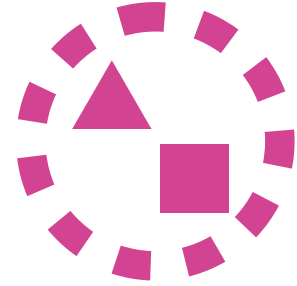
These are a series of icons that may be used throughout the instructions to help your assembly.
If in doubt, scroll ahead to confirm.



Do not glue this part



Carefully score and
fold this part



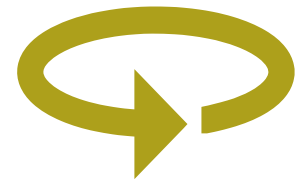
This part - or its placement is
completely optional



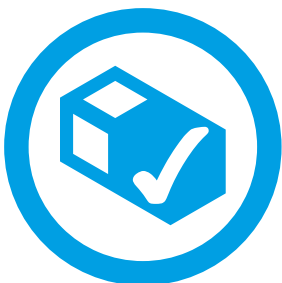
Look closely at this step -
The process order or part
used, may be specific



Repeat making this part
the specified number
of times



The next instruction step
will be the same assembly
so far, but from a different
angle



Sub-assembly complete.
This smaller construction
is ready to add to the
main kit



Assembly Complete! There
could be more optional
parts - check to the very end
of instructions



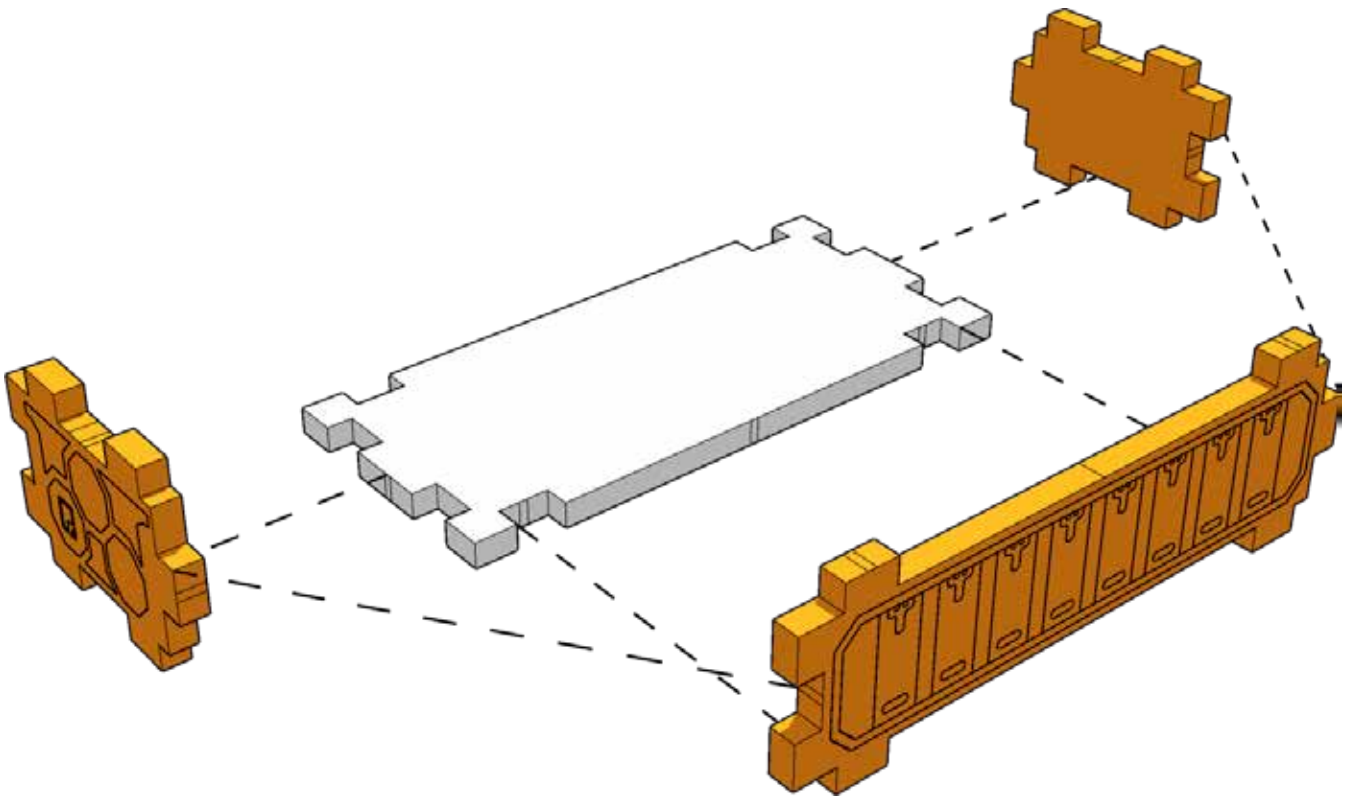
FRAGILE: DO NOT BEND.
“Bendy wood” is designed to
curve around a designed
frame only.



TABLETOP SCENICS

TTSCW-SFU-168
S.I.R Pallets

3

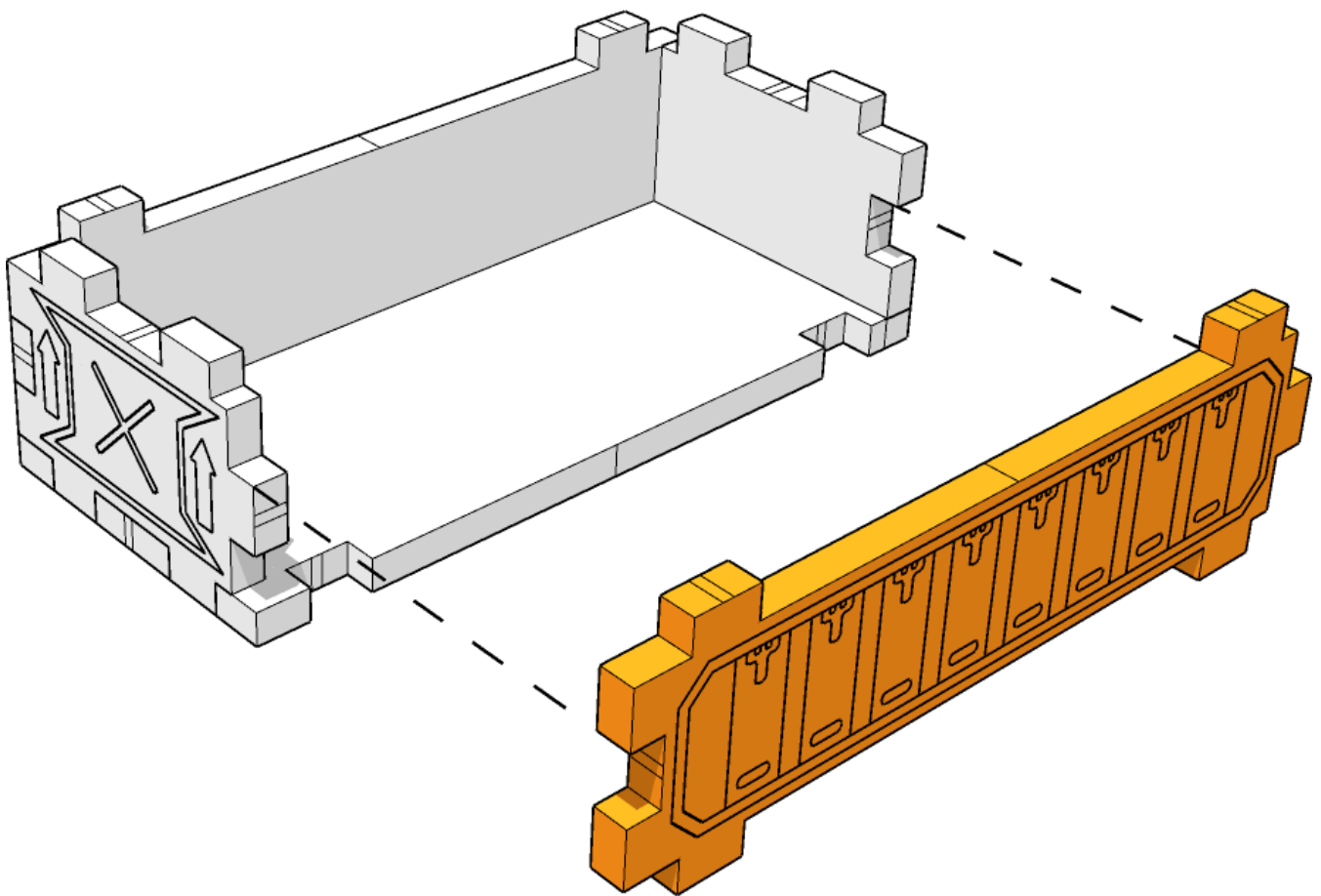




TABLETOP SCENICS

TTSCW-SFU-168
S.I.R Pallets

4

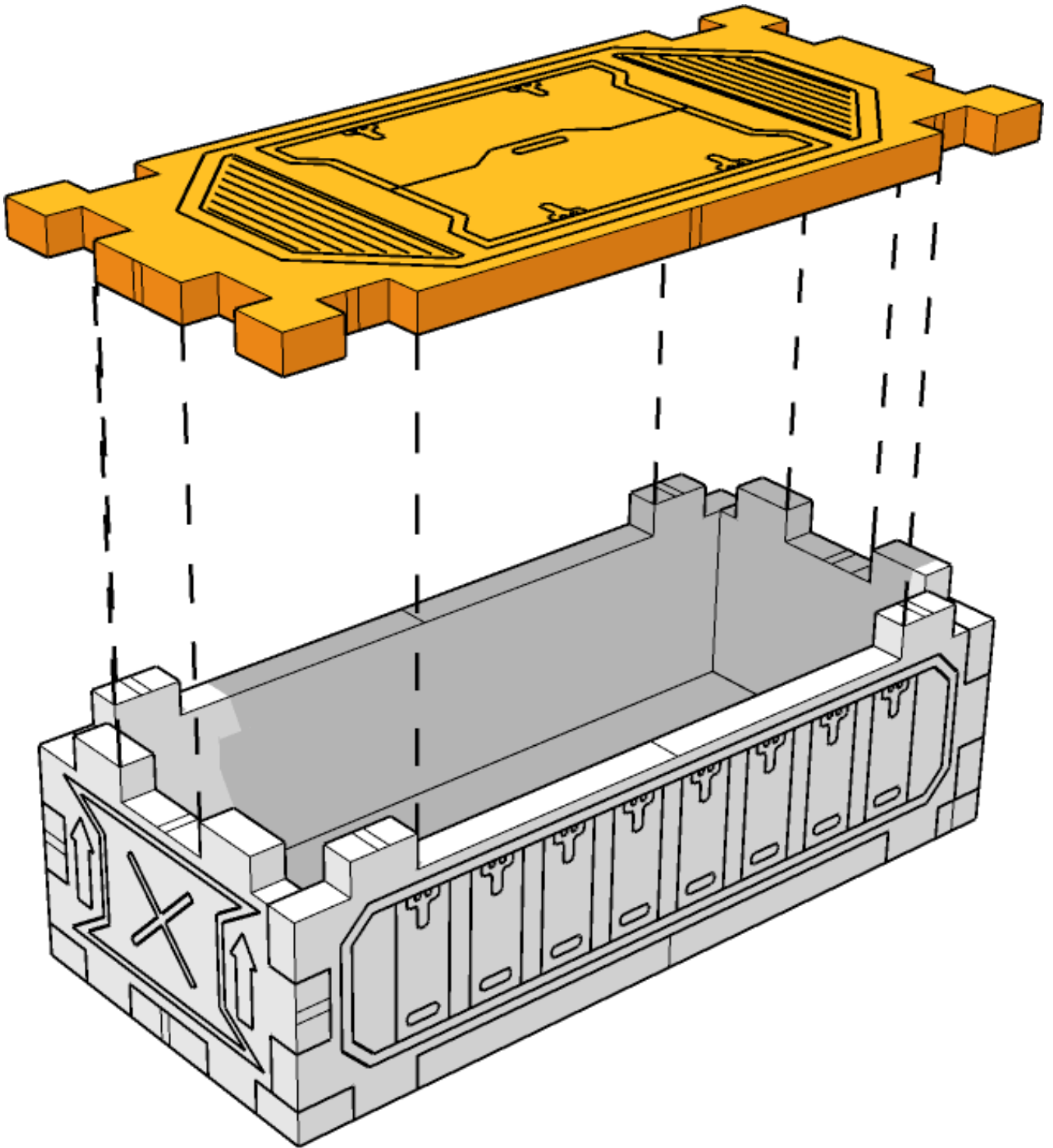




TABLETOP SCENICS

TTSCW-SFU-168
S.I.R Pallets

5

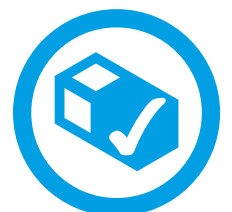
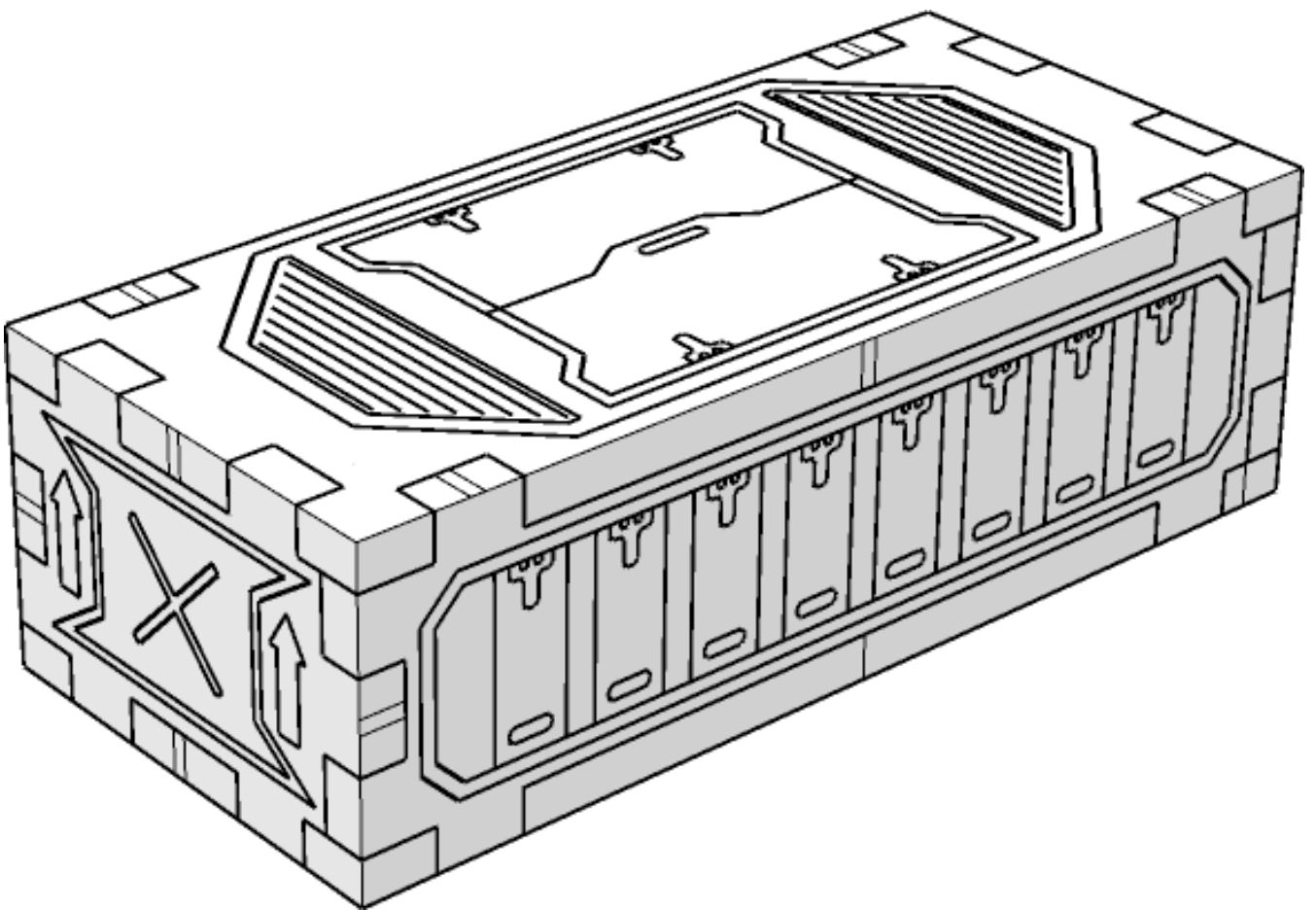




TABLETOP SCENICS

TTSCW-SFU-168
S.I.R Pallets

6

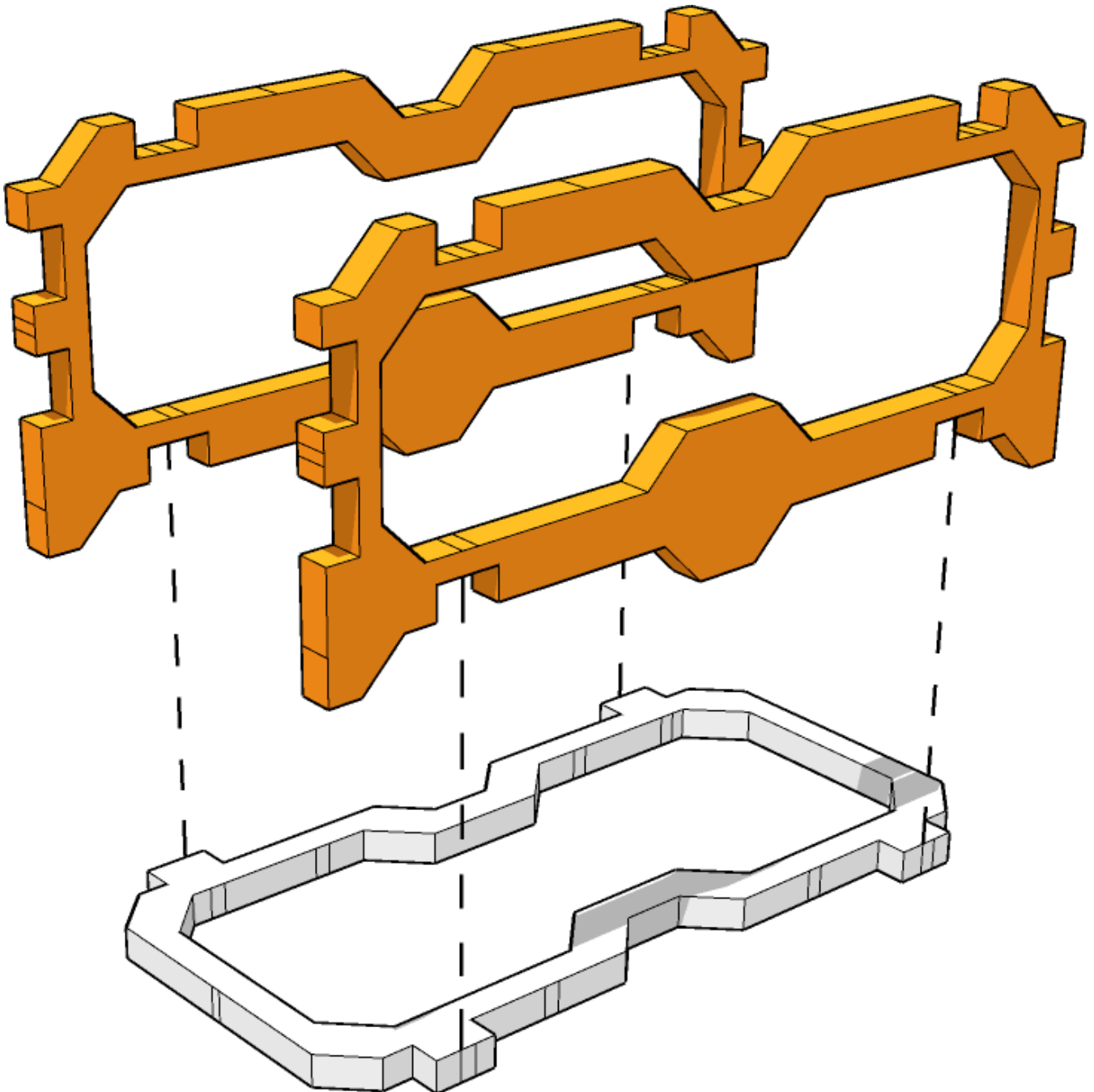




TABLETOP SCENICS

TTSCW-SFU-168
S.I.R Pallets

7

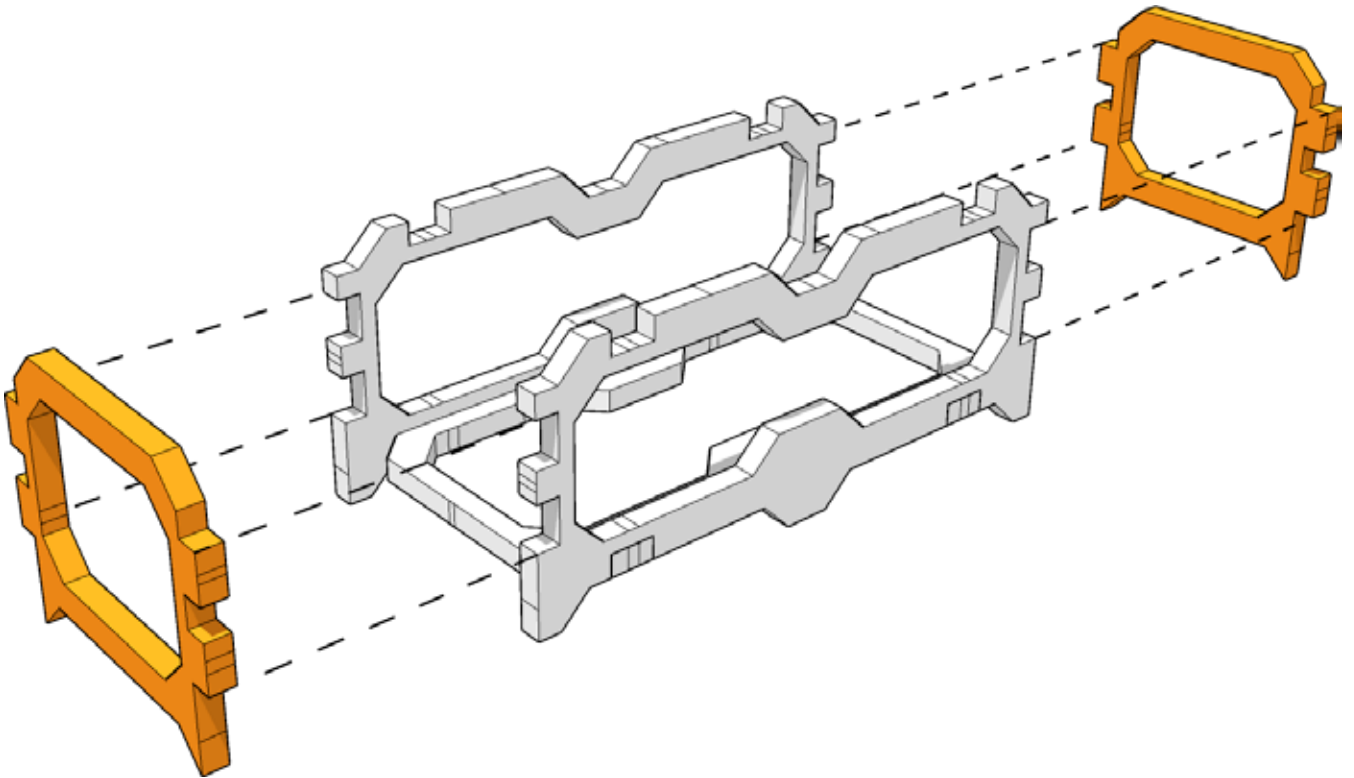




TABLETOP SCENICS

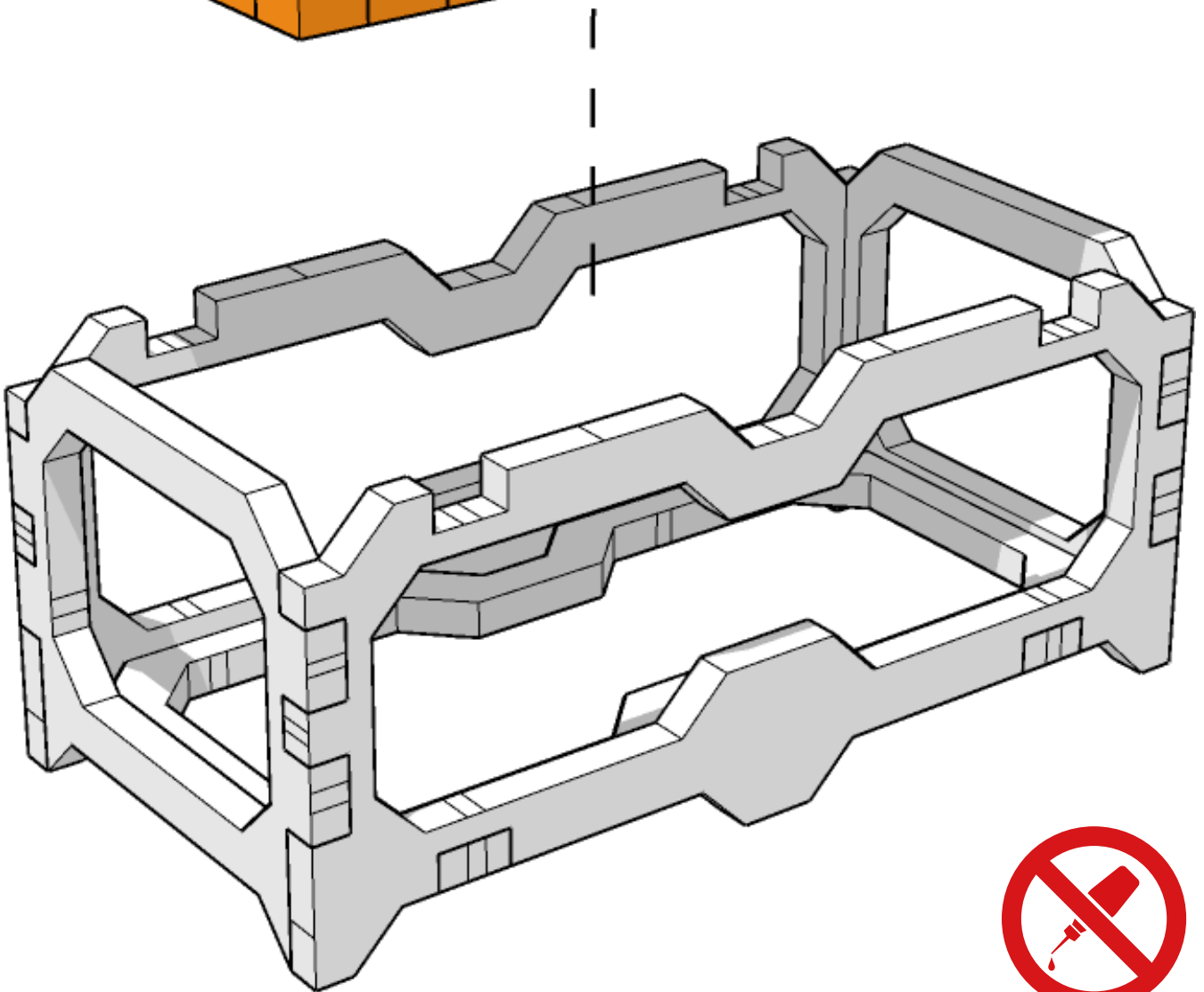
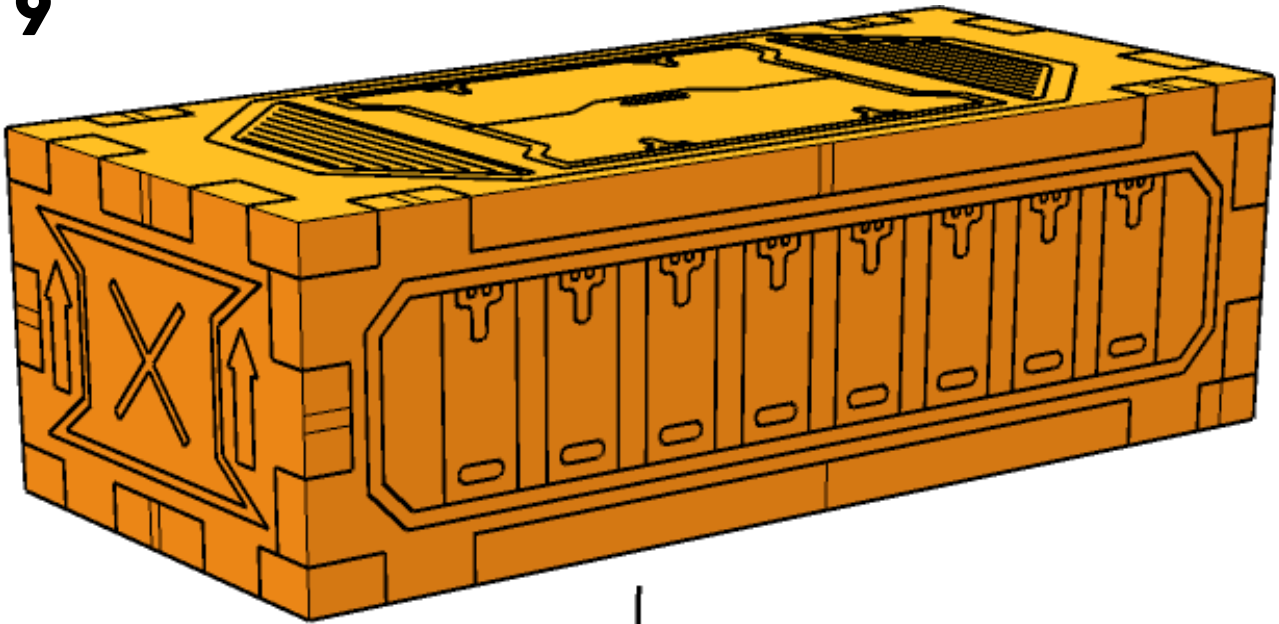
TTSCW-SFU-168
S.I.R Pallets

8





9



Inserting cube is optional, if you want separate frame work. DO NOT glue cube into place, its made to sit freely.

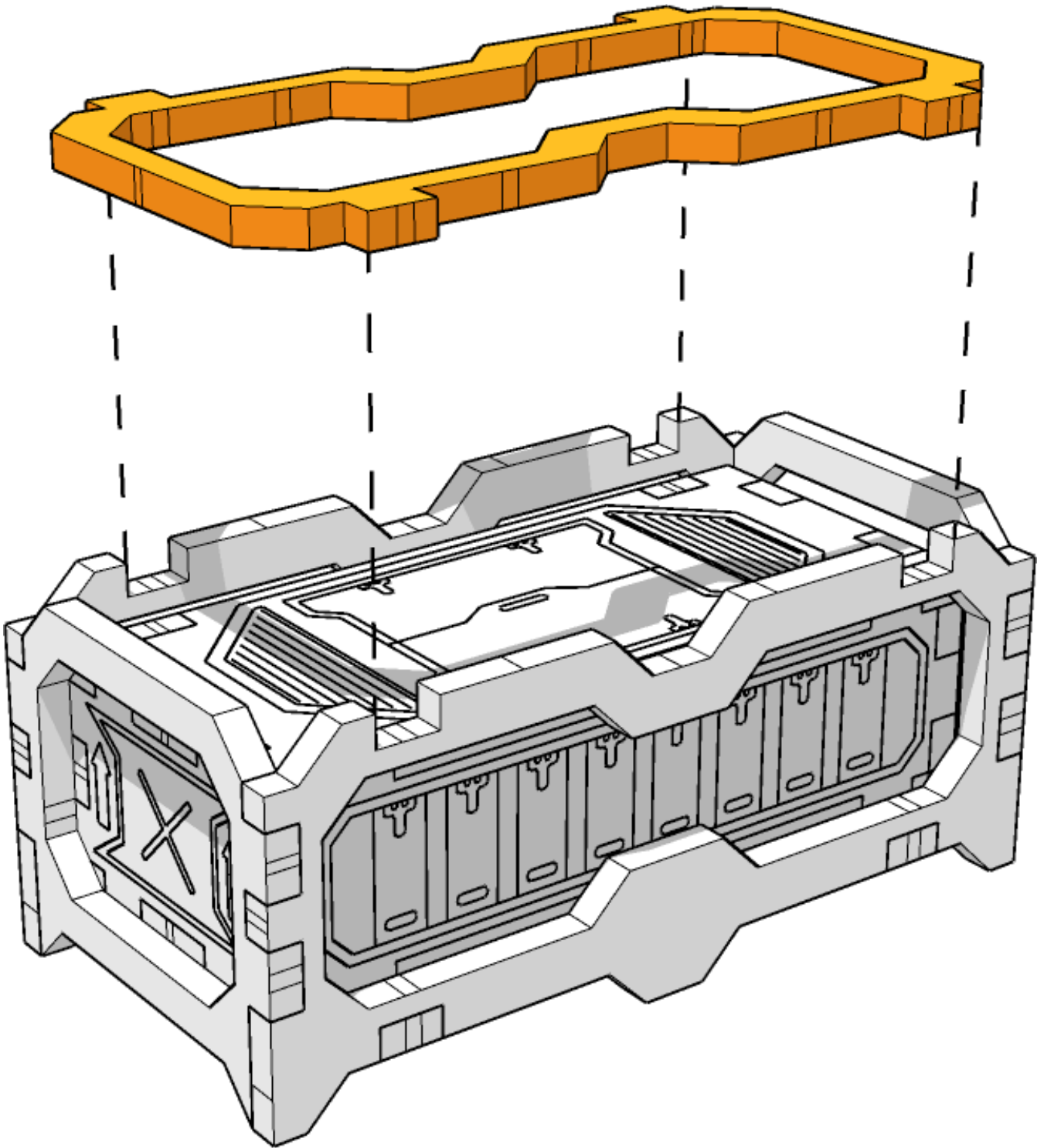




TABLETOP SCENICS

TTSCW-SFU-168
S.I.R Pallets

10

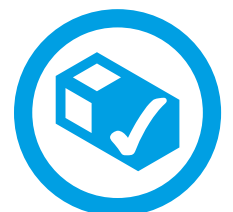
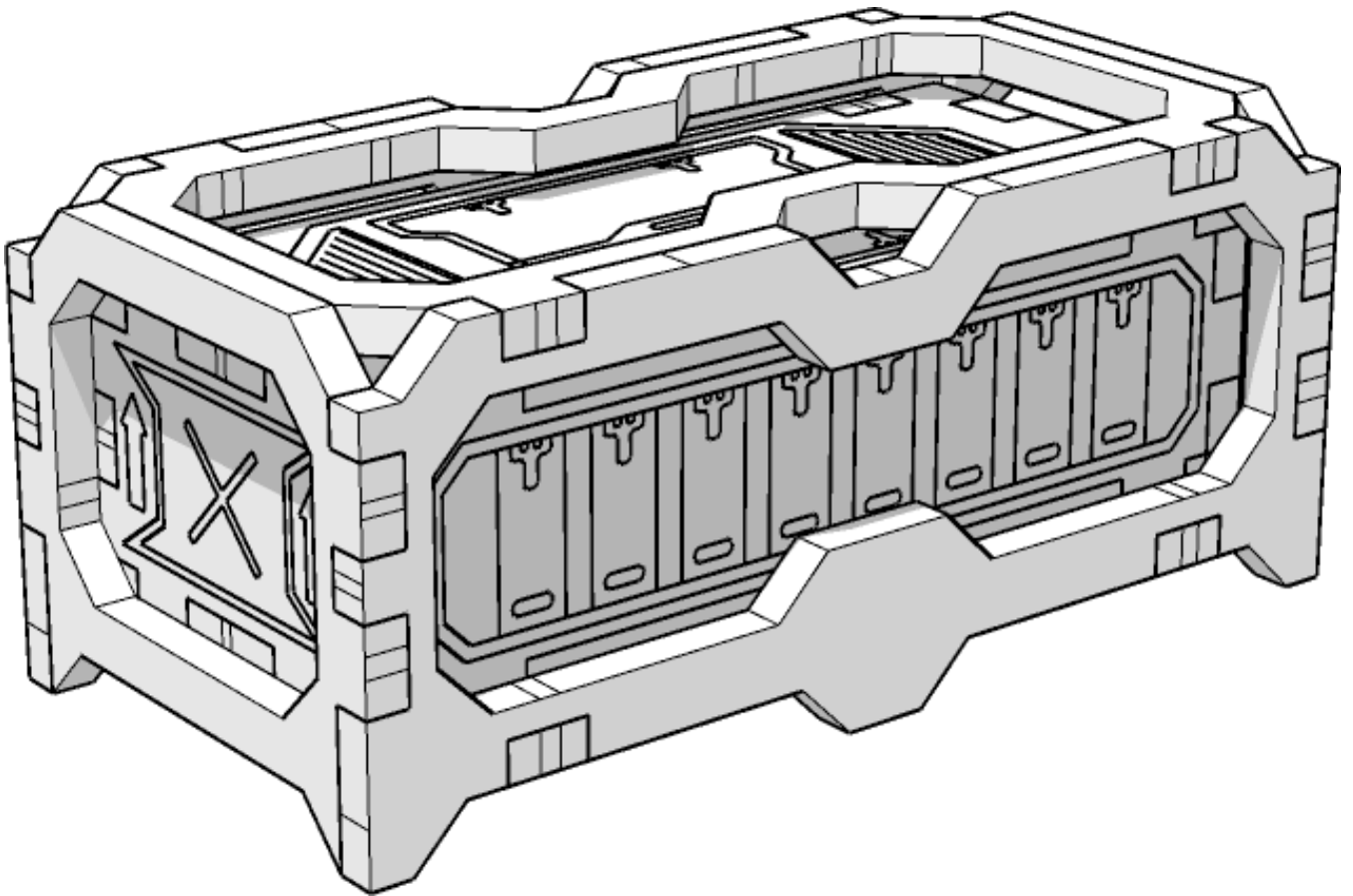




TABLETOP SCENICS

TTSCW-SFU-168
S.I.R Pallets

11

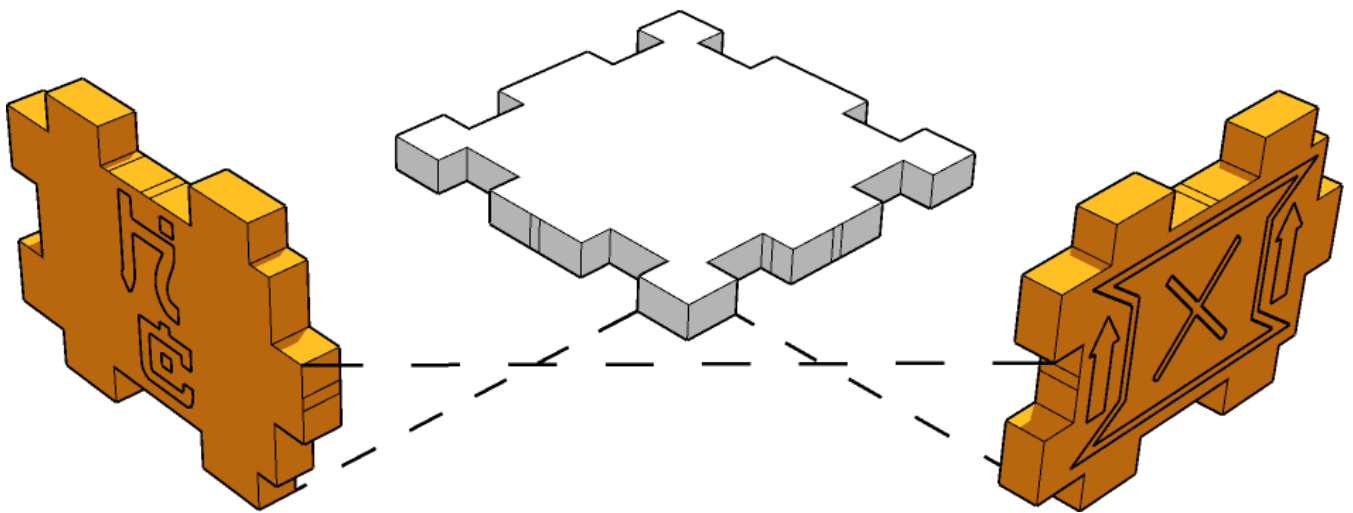




TABLETOP SCENICS

TTSCW-SFU-168
S.I.R Pallets

12



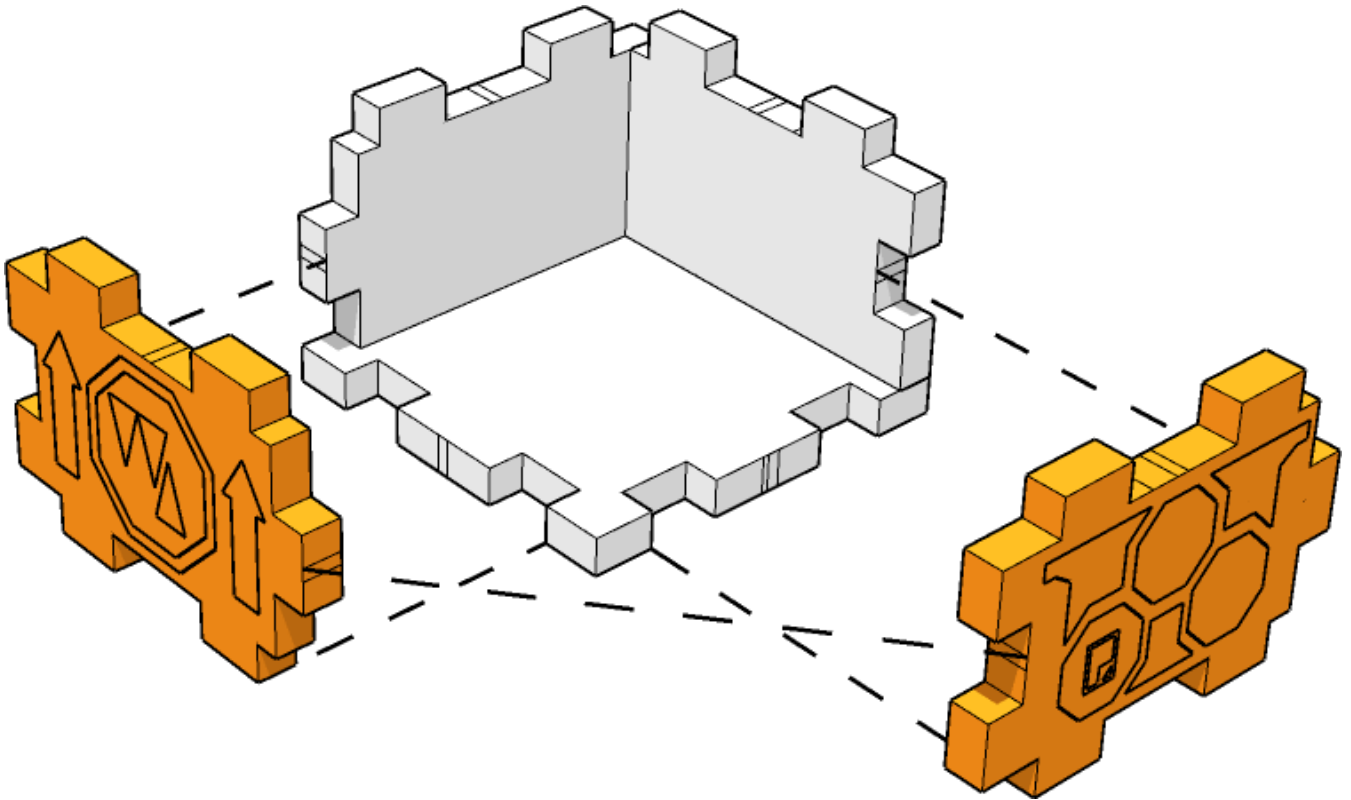
Which detailed side panels used and what order is optional



TABLETOP SCENICS

TTSCW-SFU-168
S.I.R Pallets

13

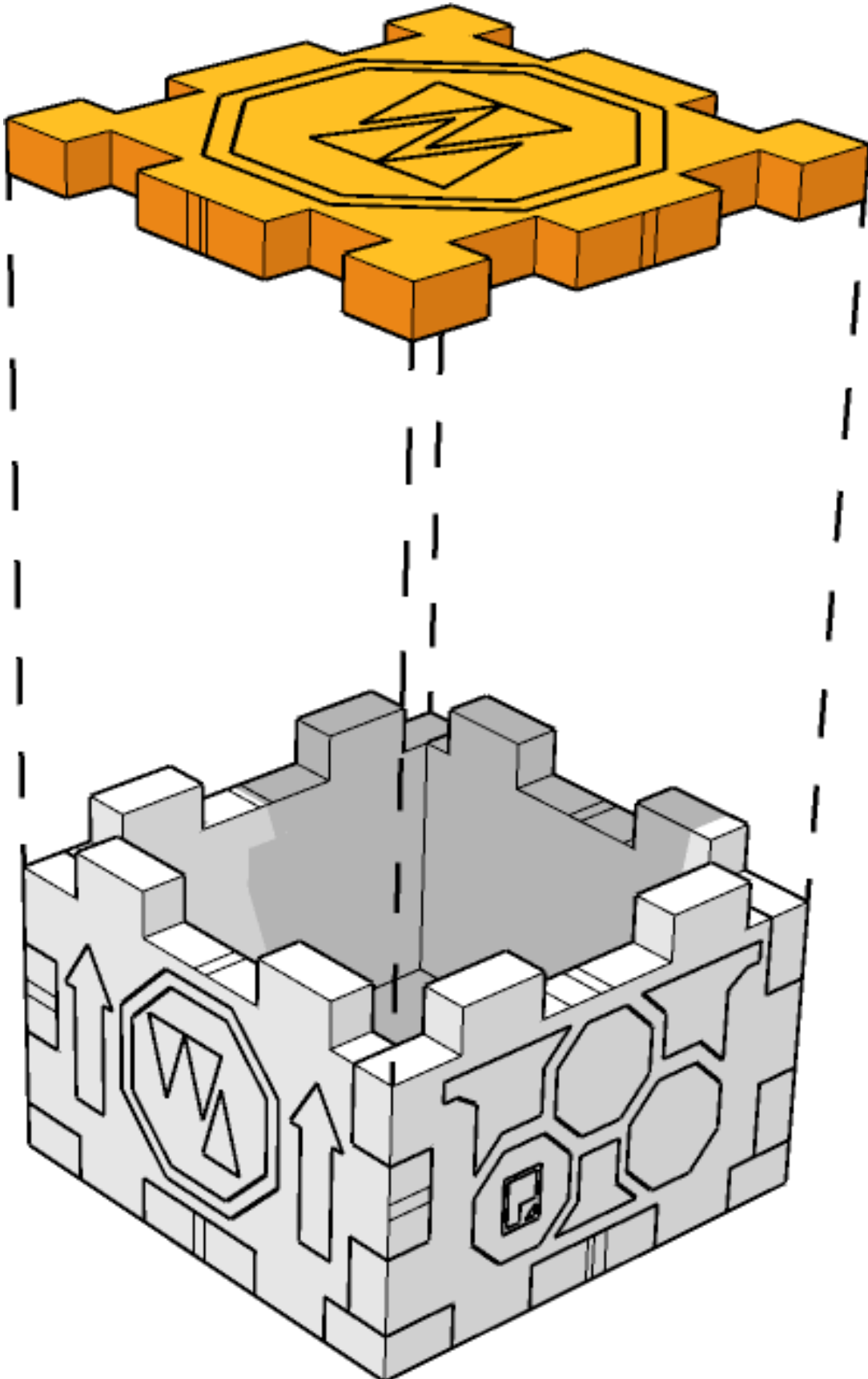




TABLETOP SCENICS

TTSCW-SFU-168
S.I.R Pallets

14

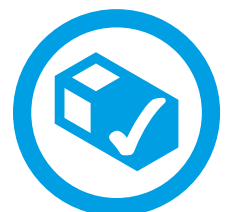
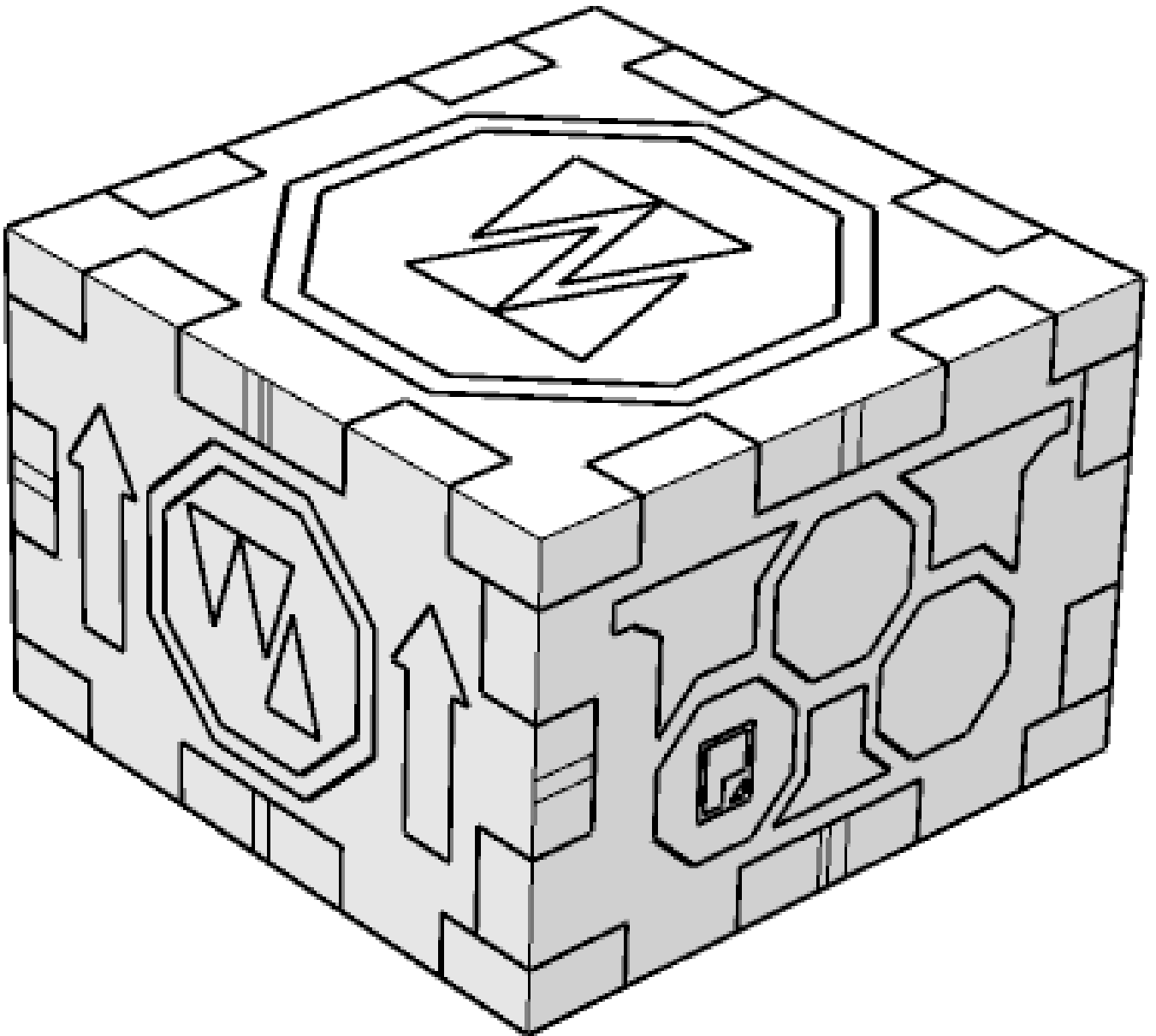




TABLETOP
SCENICS

TTSCW-SFU-168
S.I.R Pallets

15



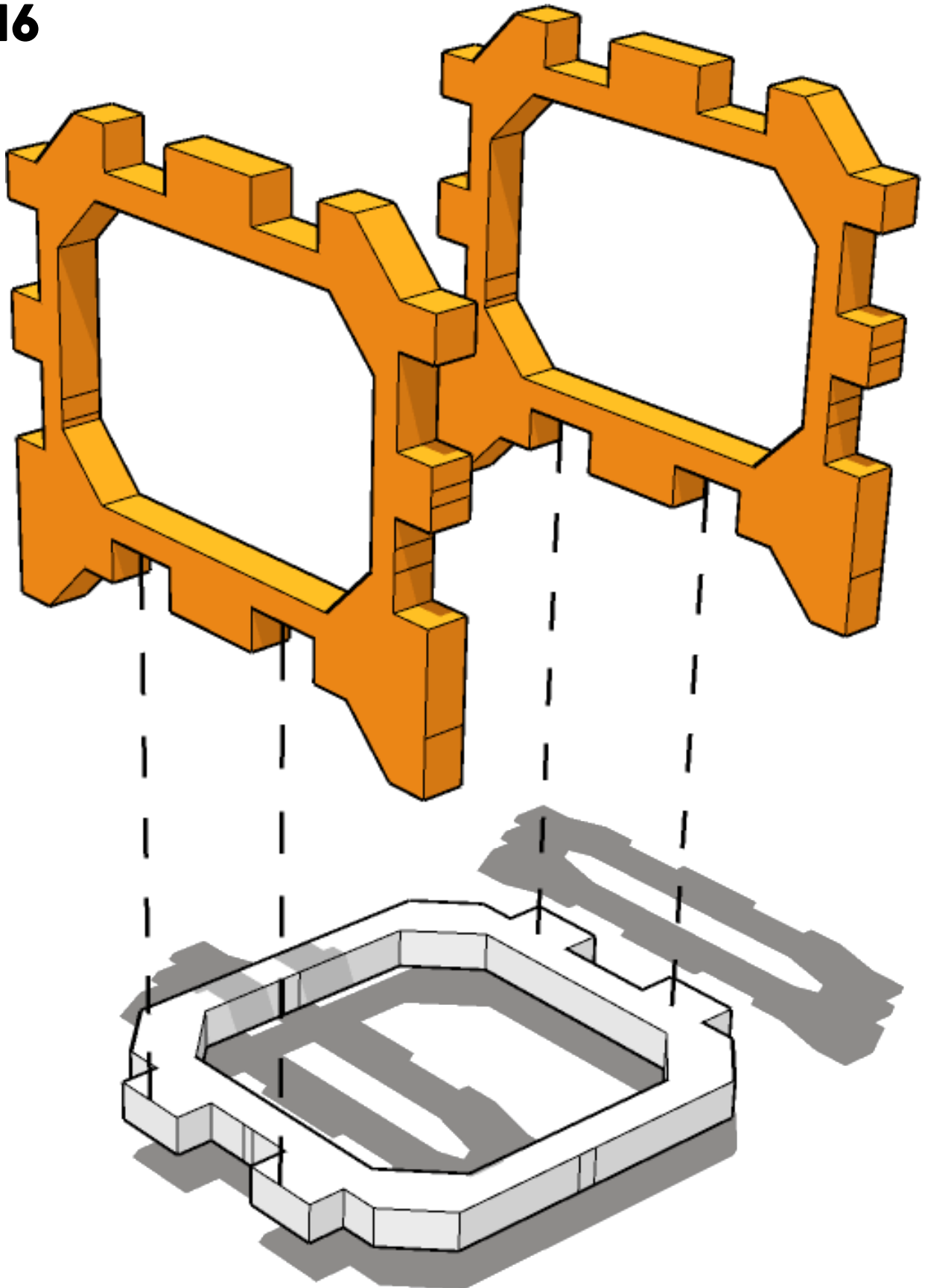
 **TTCOMBAT**



TABLETOP SCENICS

TTSCW-SFU-168
S.I.R Pallets

16

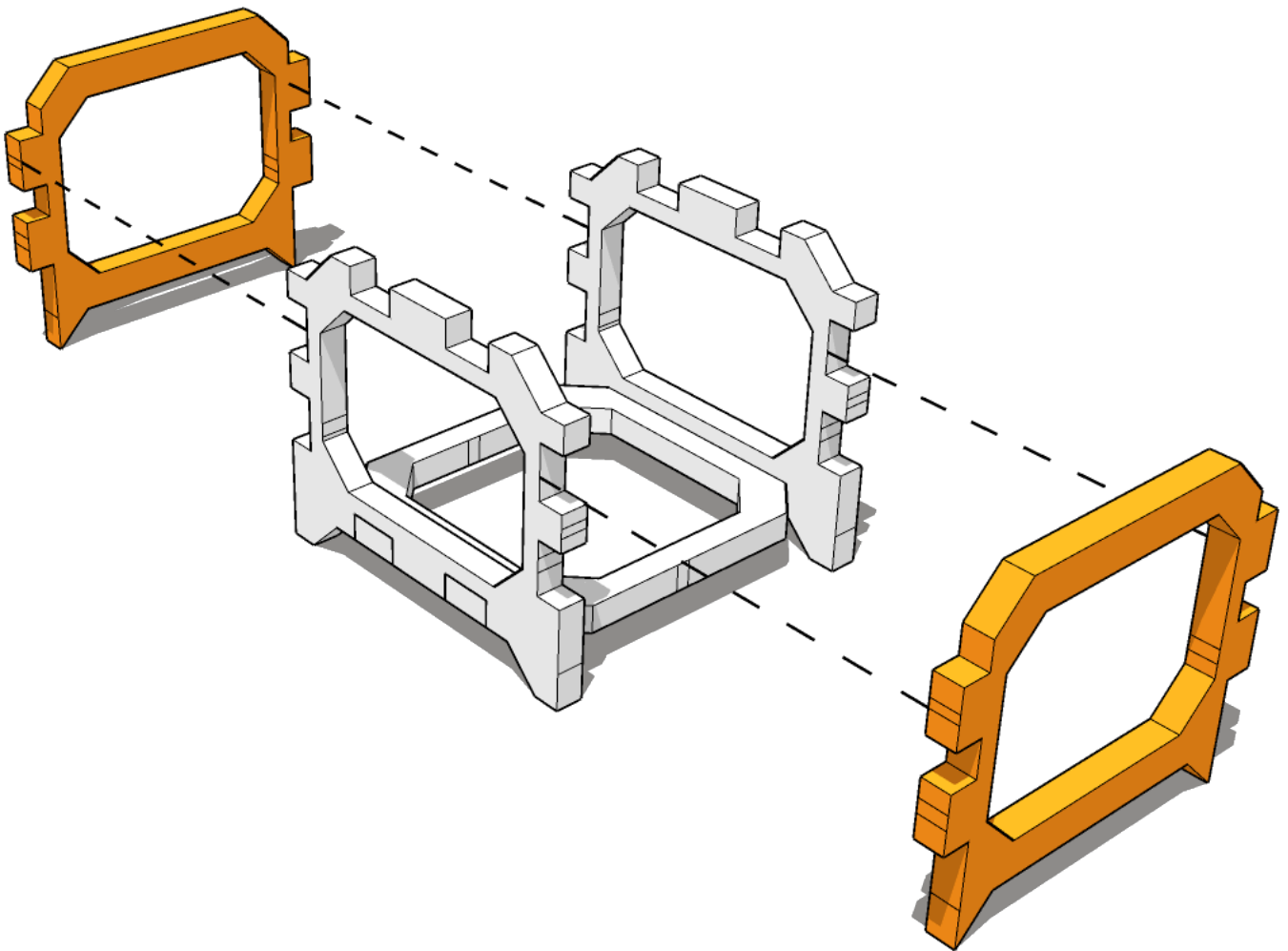




TABLETOP SCENICS

TTSCW-SFU-168
S.I.R Pallets

17

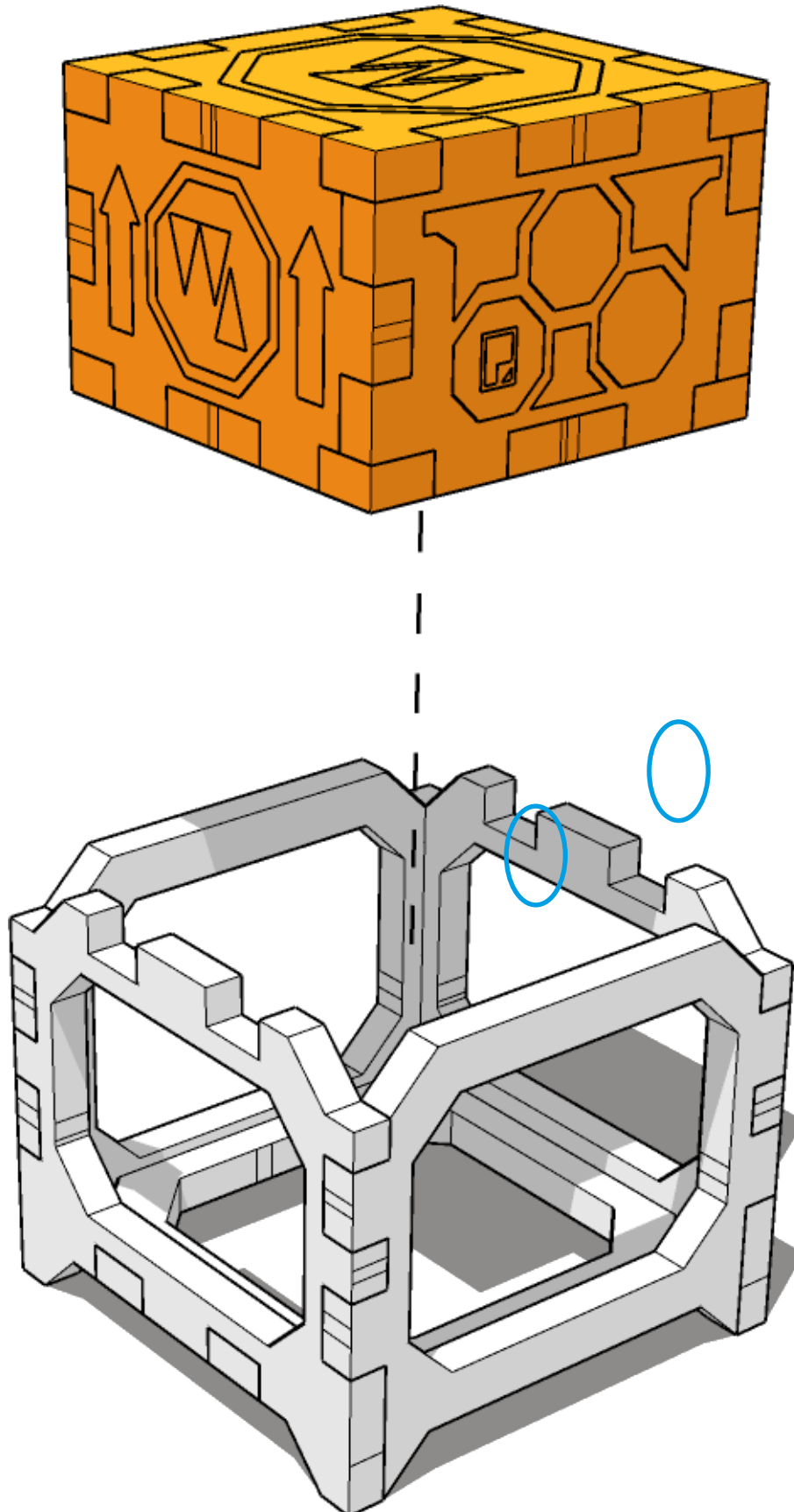




TABLETOP SCENICS

TTSCW-SFU-168
S.I.R Pallets

18



Inserting cube is optional, if you want separate frame work. DO NOT glue cube into place, its made to sit freely.



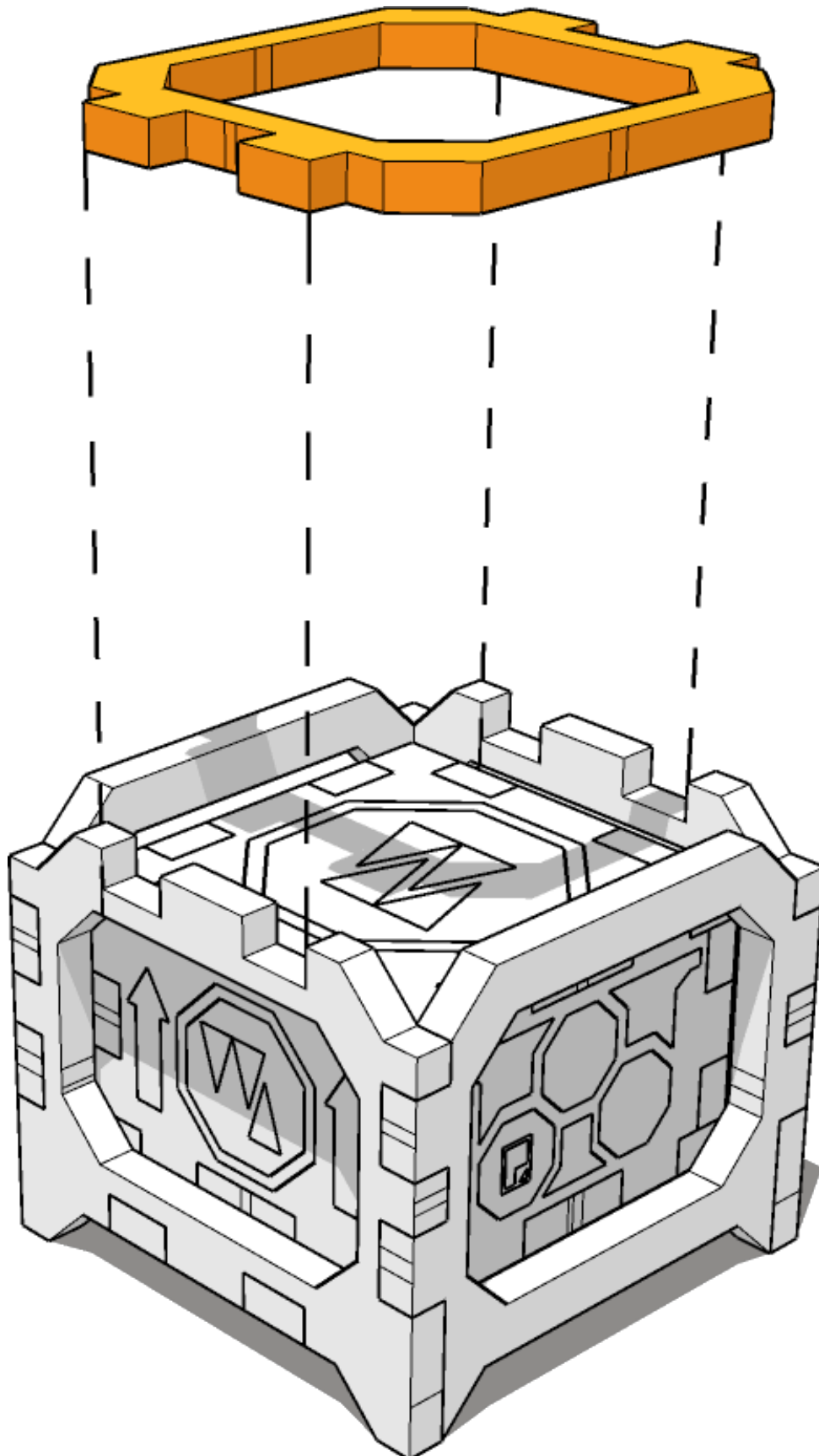
 **TTCOMBAT**



TABLETOP SCENICS

TTSCW-SFU-168
S.I.R Pallets

19

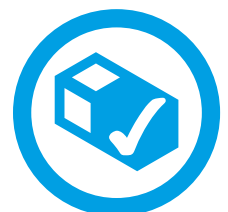
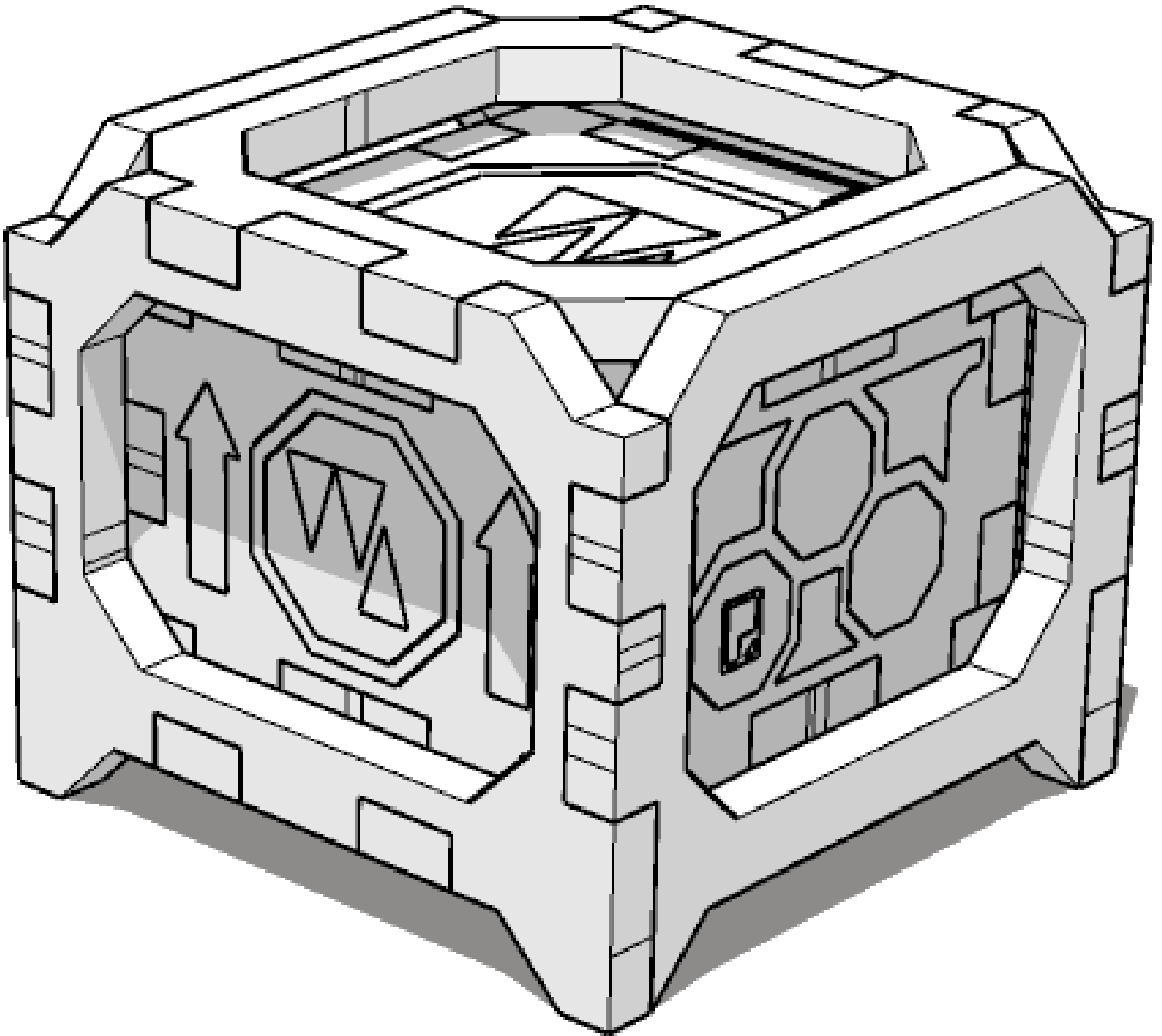




TABLETOP
SCENICS

TTSCW-SFU-168
S.I.R Pallets

20



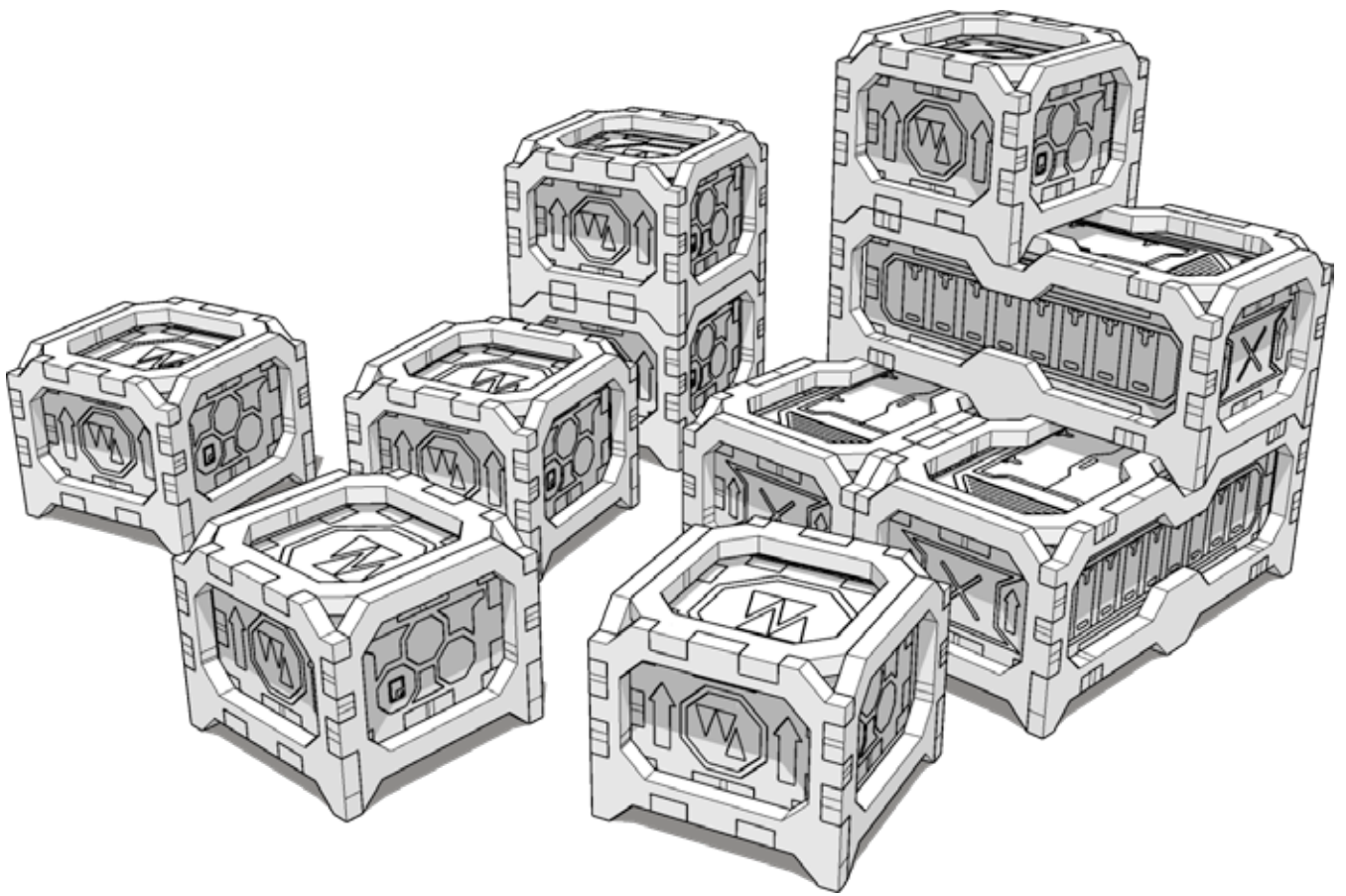
 **TTCOMBAT**



TABLETOP SCENICS

TTSCW-SFU-168
S.I.R Pallets

21



 **TTCOMBAT**