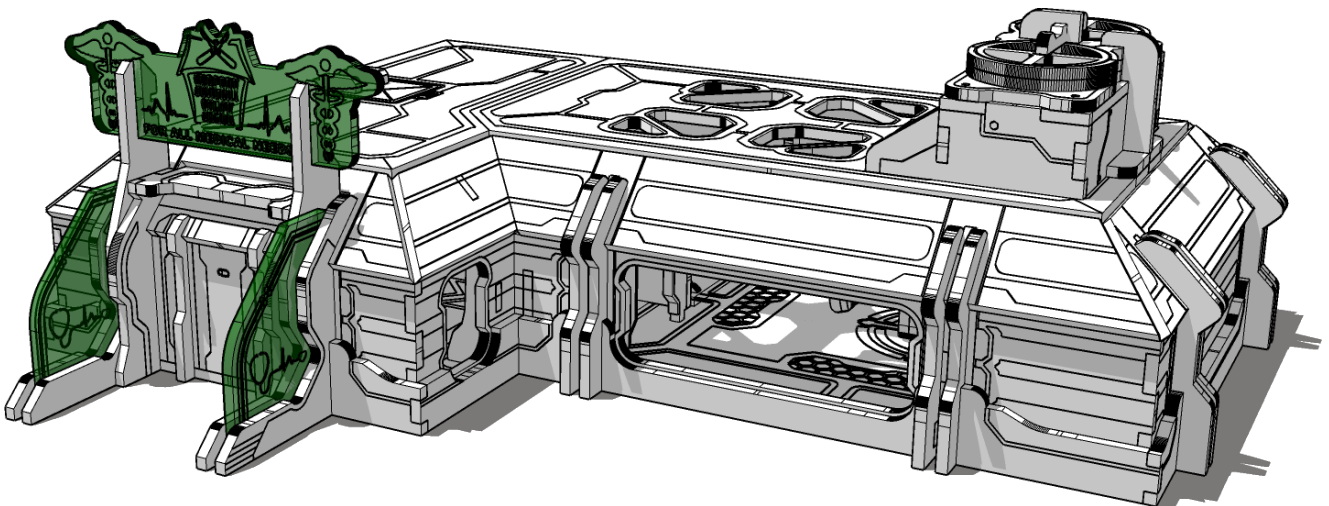




TABLETOP SCENICS

TTSCW-SFU-164
Street Wars:
Surgery



 **TTCOMBAT**



TABLETOP SCENICS

TTSCW-SFU-164
Street Wars:
Surgery

2

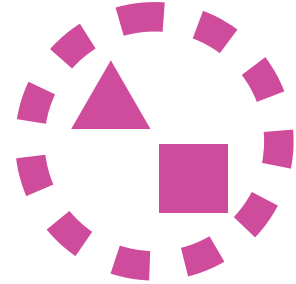
These are a series of icons that may be used throughout the instructions to help your assembly.
If in doubt, scroll ahead to confirm.



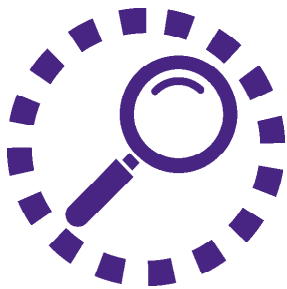
Do not glue this part



Carefully score and
fold this part



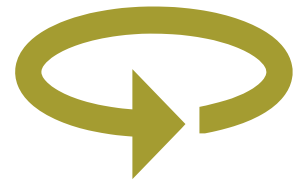
This part - or its placement is
completely optional



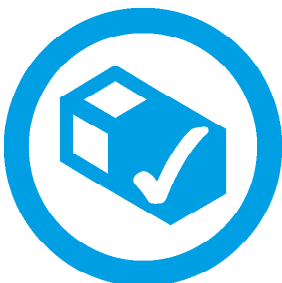
Look closely at this step -
The process order or part
used, may be specific



Repeat making this part
the specified number
of times



The next instruction step
will be the same assembly
so far, but from a different
angle



Sub-assembly complete.
This smaller construction
is ready to add to the
main kit



Assembly Complete! There
could be more optional
parts - check to the very end
of instructions



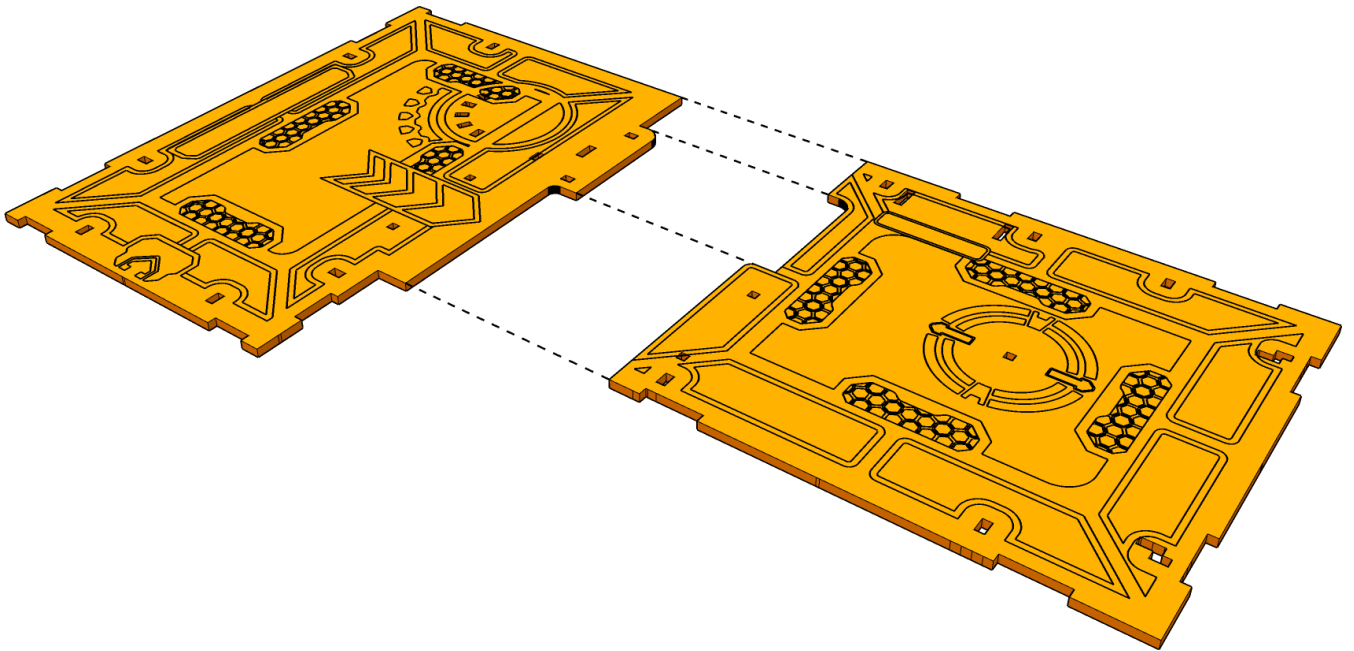
FRAGILE: DO NOT BEND.
“Bendy wood” is designed to
curve around a designed
frame only.



TABLETOP SCENICS

TTSCW-SFU-164
Street Wars:
Surgery

3

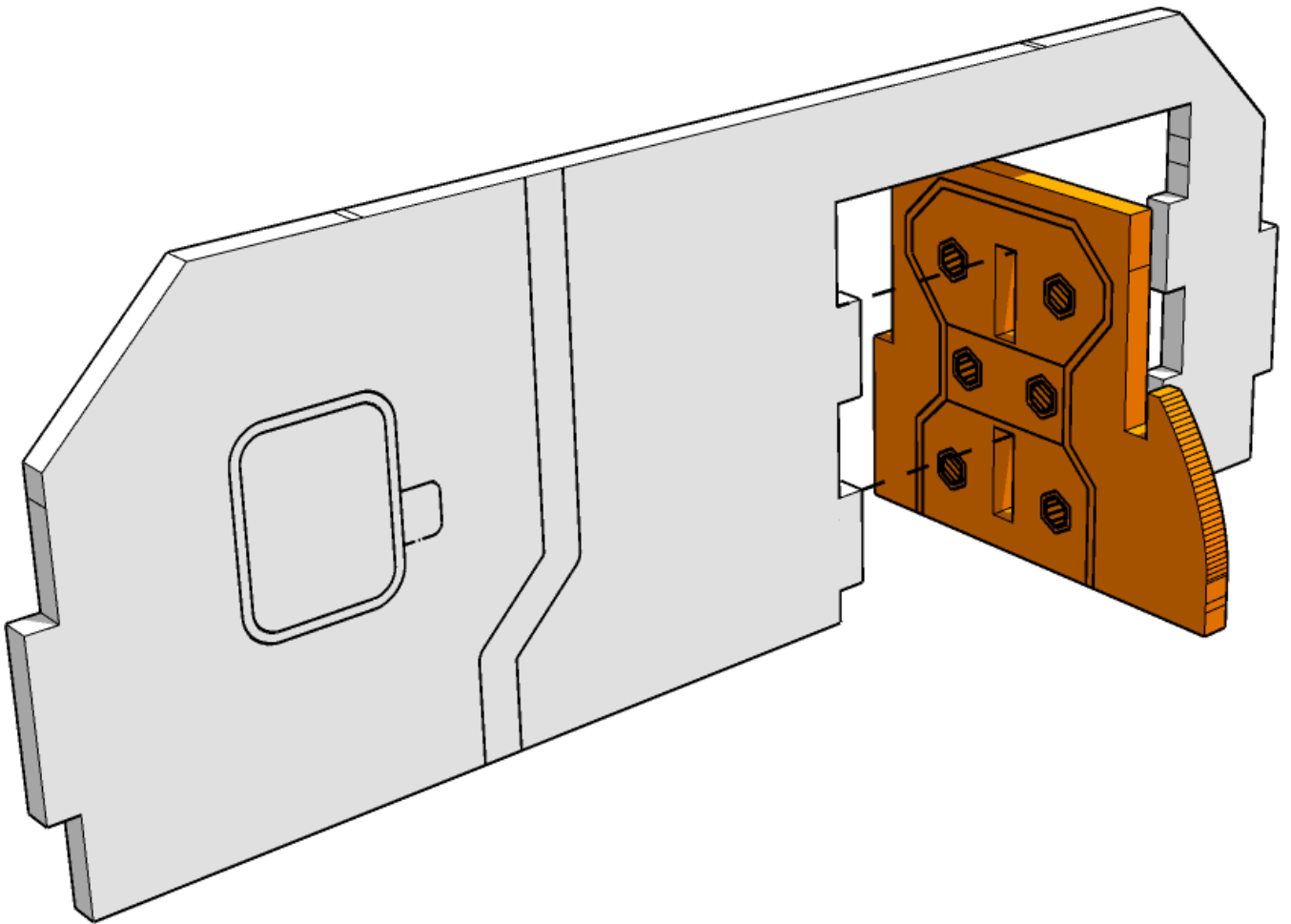




TABLETOP SCENICS

TTSCW-SFU-164
Street Wars:
Surgery

4

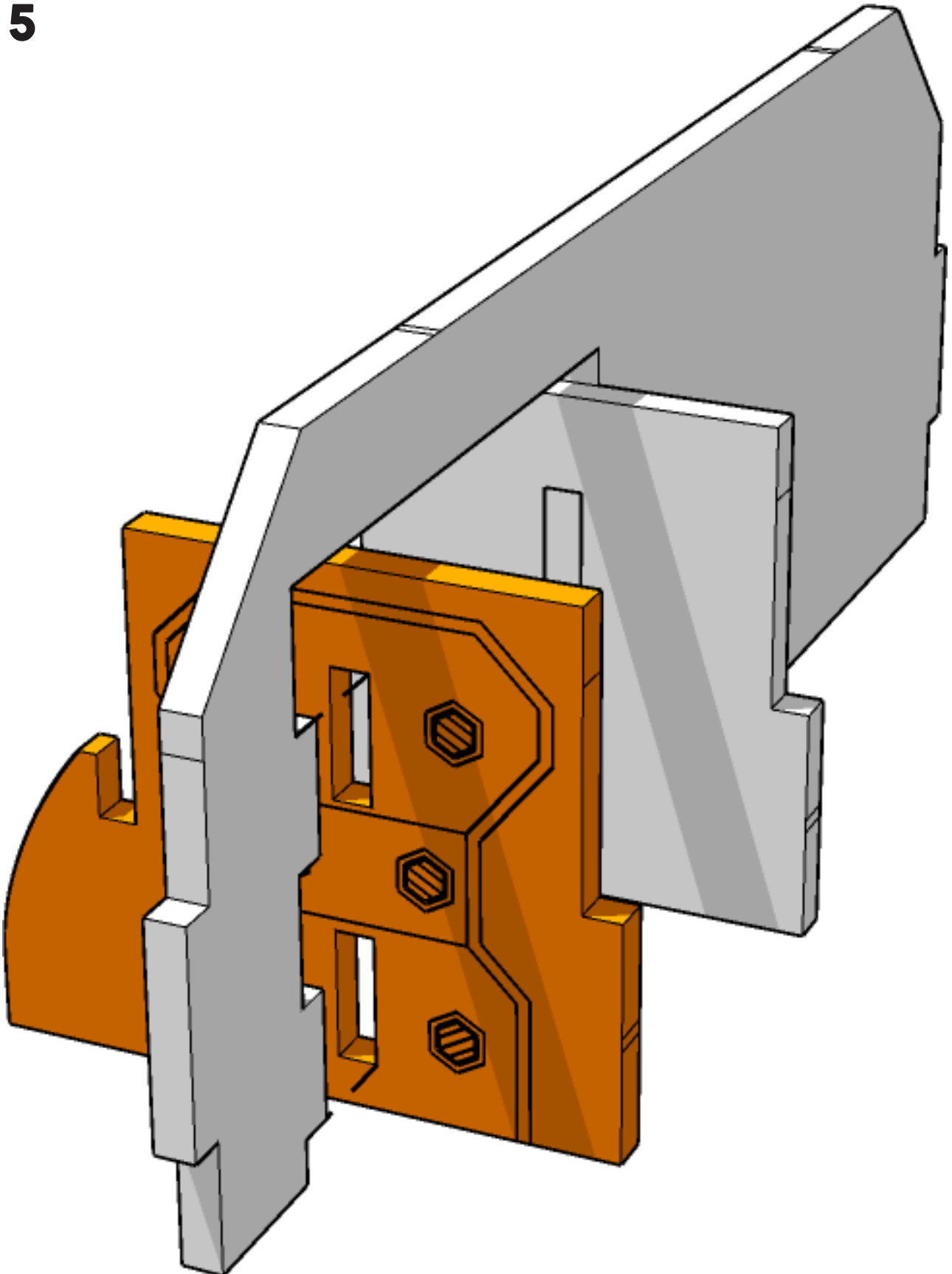




TABLETOP SCENICS

TTSCW-SFU-164
Street Wars:
Surgery

5

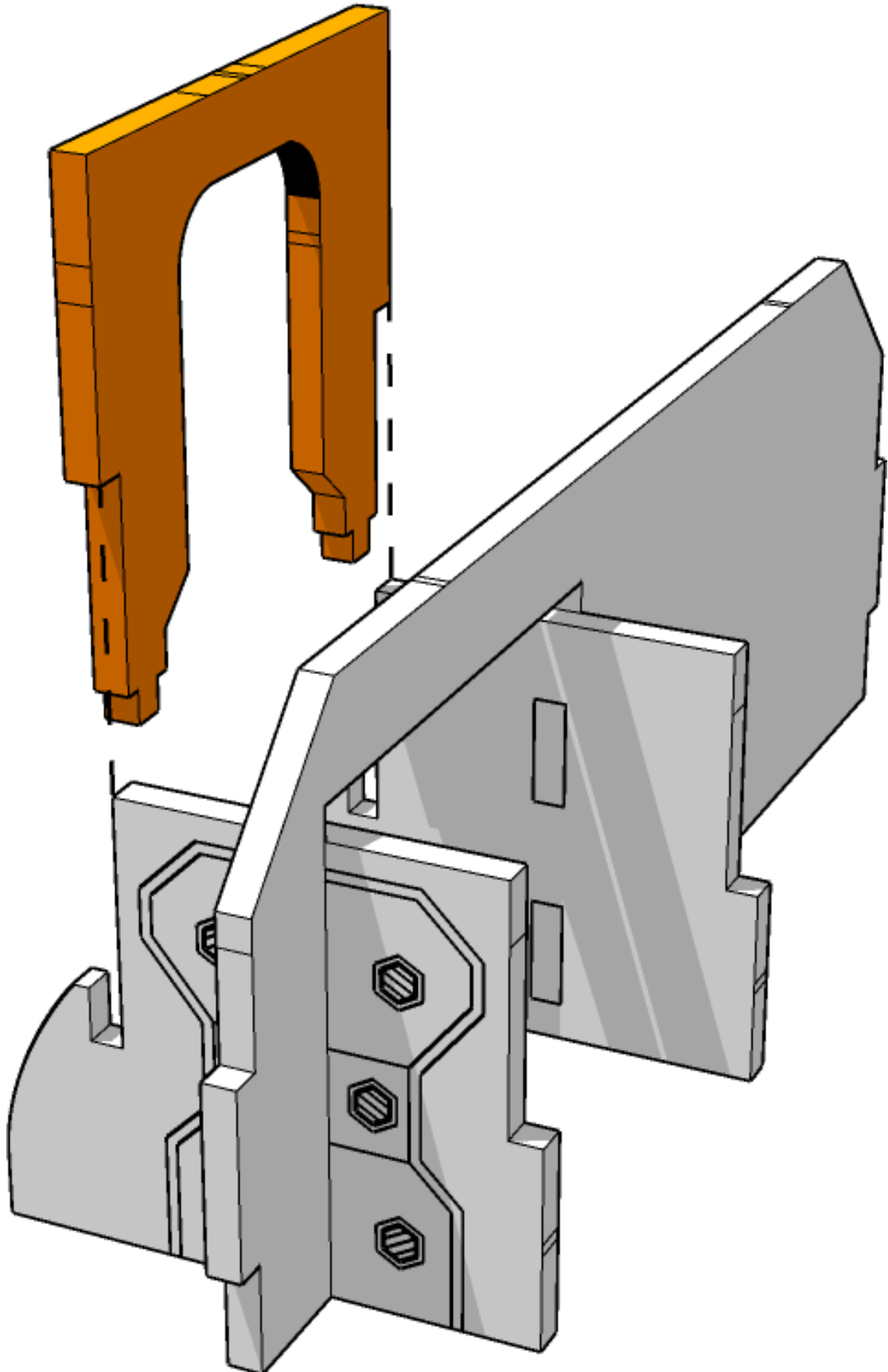




TABLETOP SCENICS

TTSCW-SFU-164
Street Wars:
Surgery

6

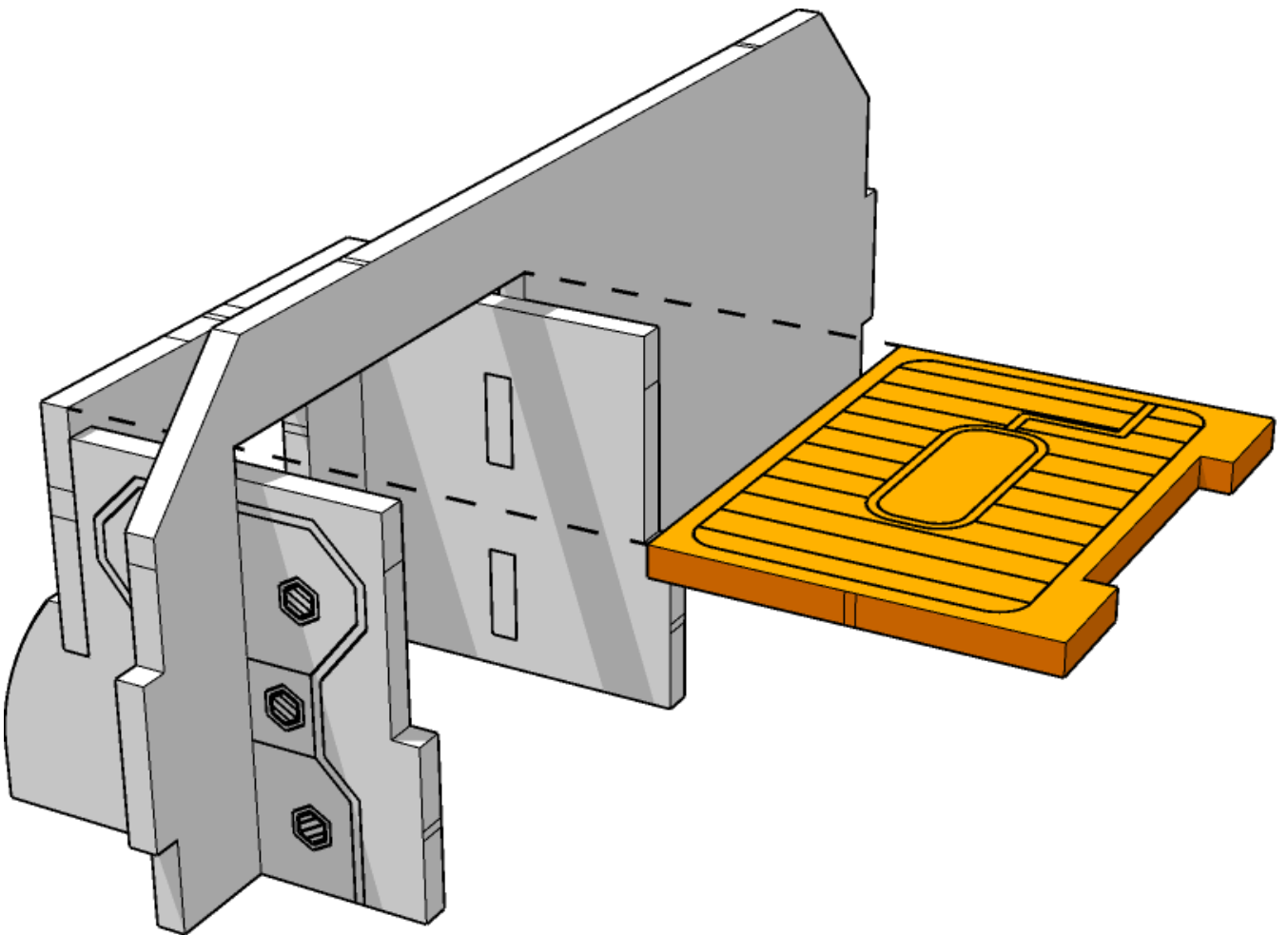




TABLETOP SCENICS

TTSCW-SFU-164
Street Wars:
Surgery

7

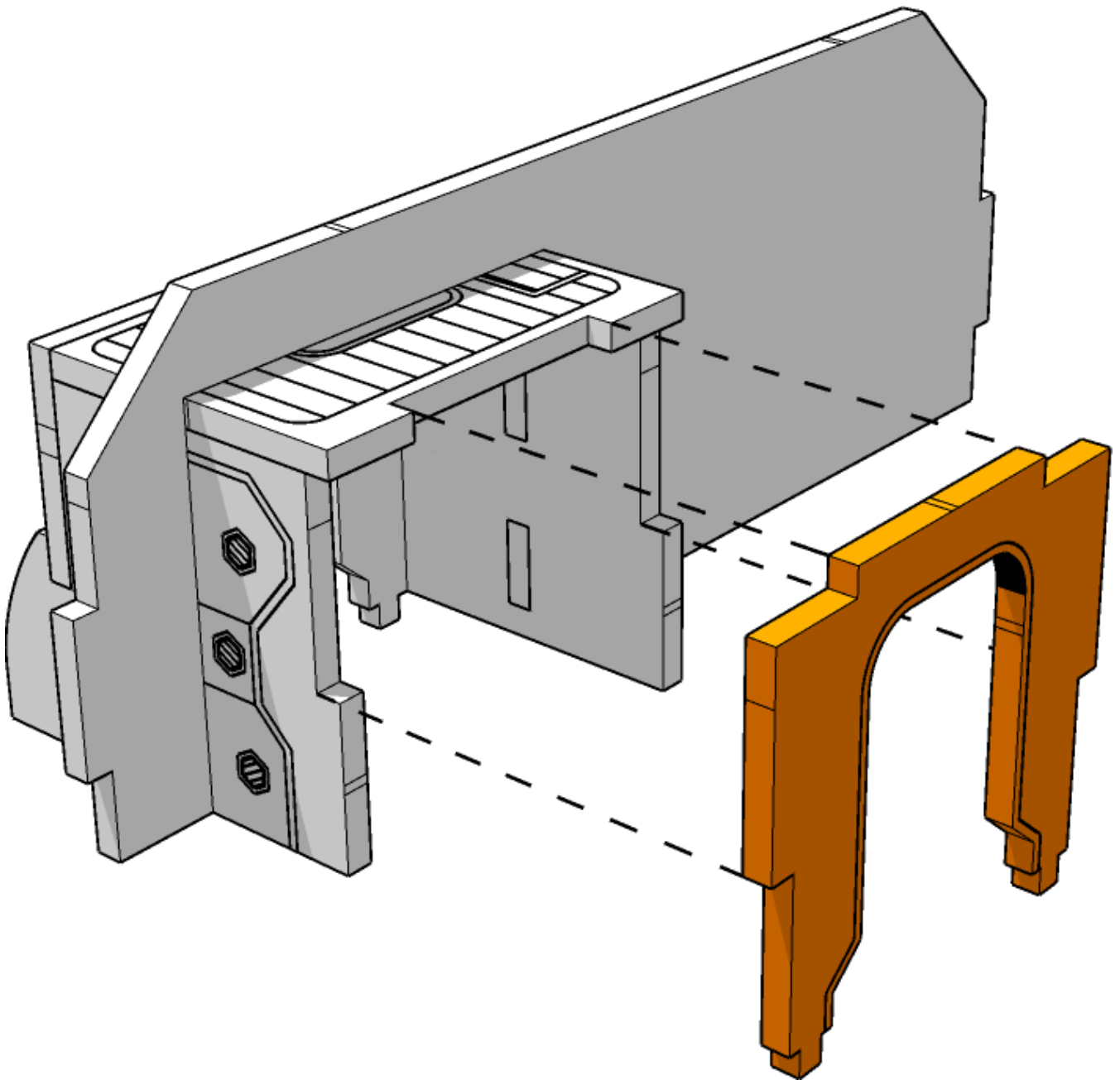




TABLETOP SCENICS

TTSCW-SFU-164
Street Wars:
Surgery

8

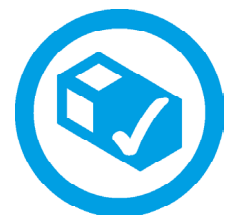
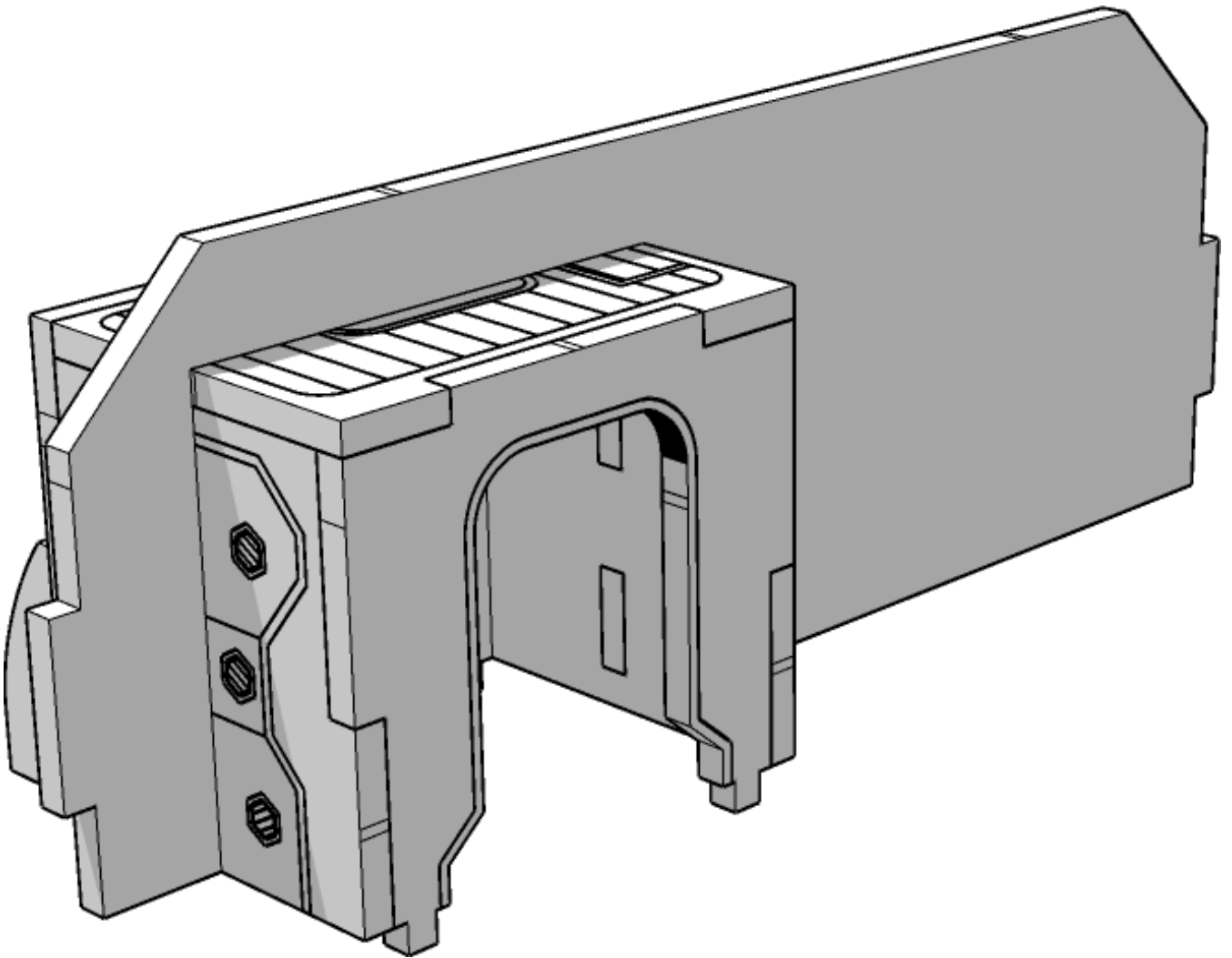




TABLETOP SCENICS

TTSCW-SFU-164
Street Wars:
Surgery

9

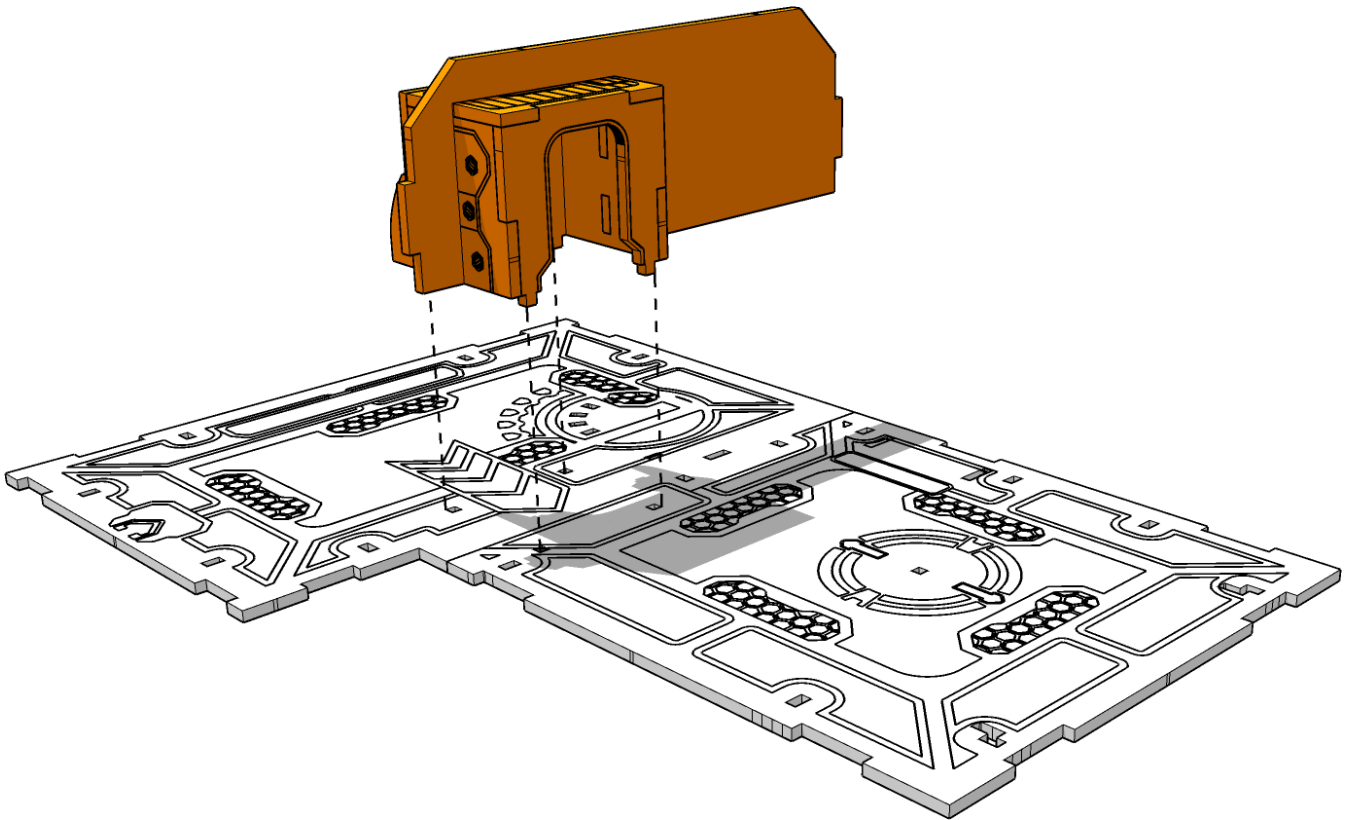




TABLETOP SCENICS

TTSCW-SFU-164
Street Wars:
Surgery

10

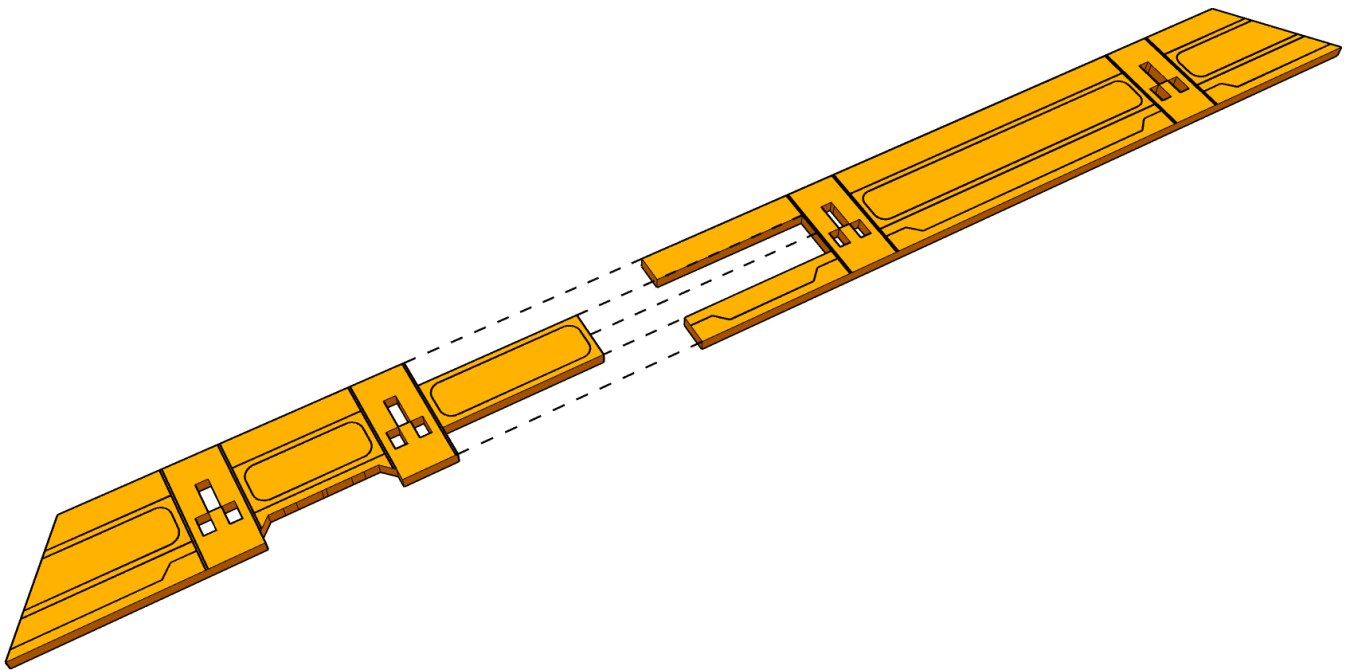




TABLETOP SCENICS

TTSCW-SFU-164
Street Wars:
Surgery

11

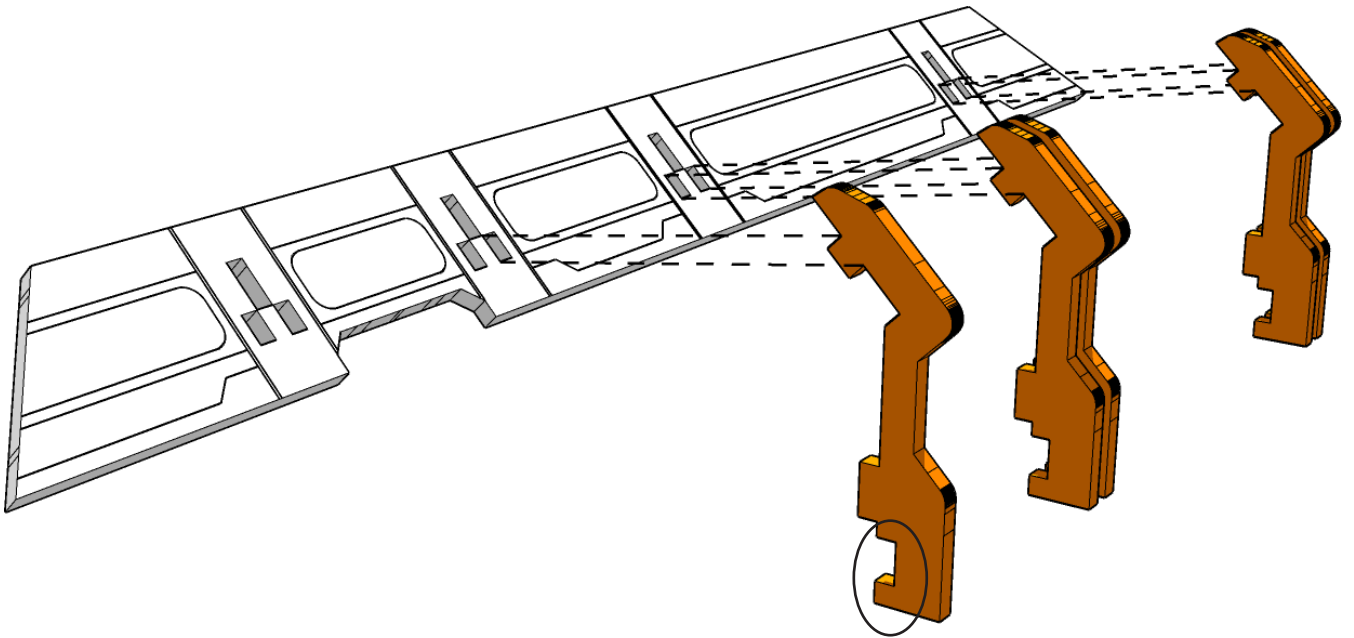




TABLETOP SCENICS

TTSCW-SFU-164
Street Wars:
Surgery

12



NOTE: There is slot gaps at the bottom of the highlighted parts, circled



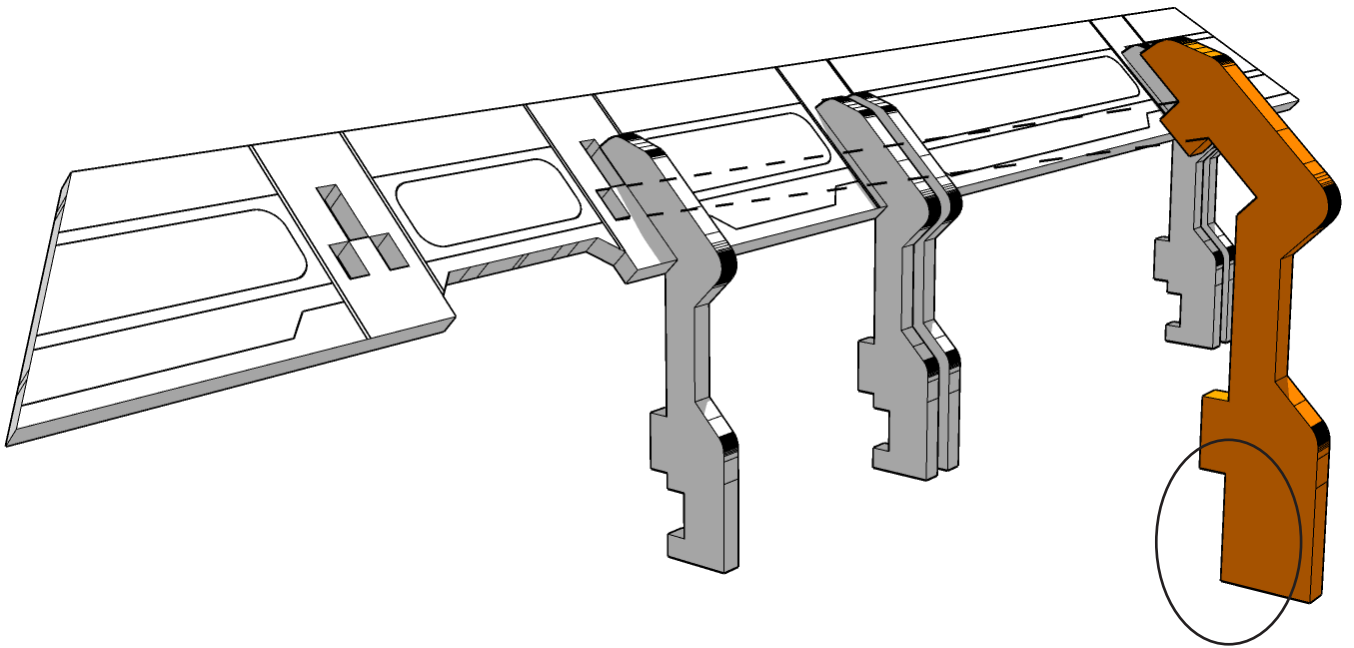
 **TTCOMBAT**



TABLETOP SCENICS

TTSCW-SFU-164
Street Wars:
Surgery

13



Highlighted part doesnt have bottom slot



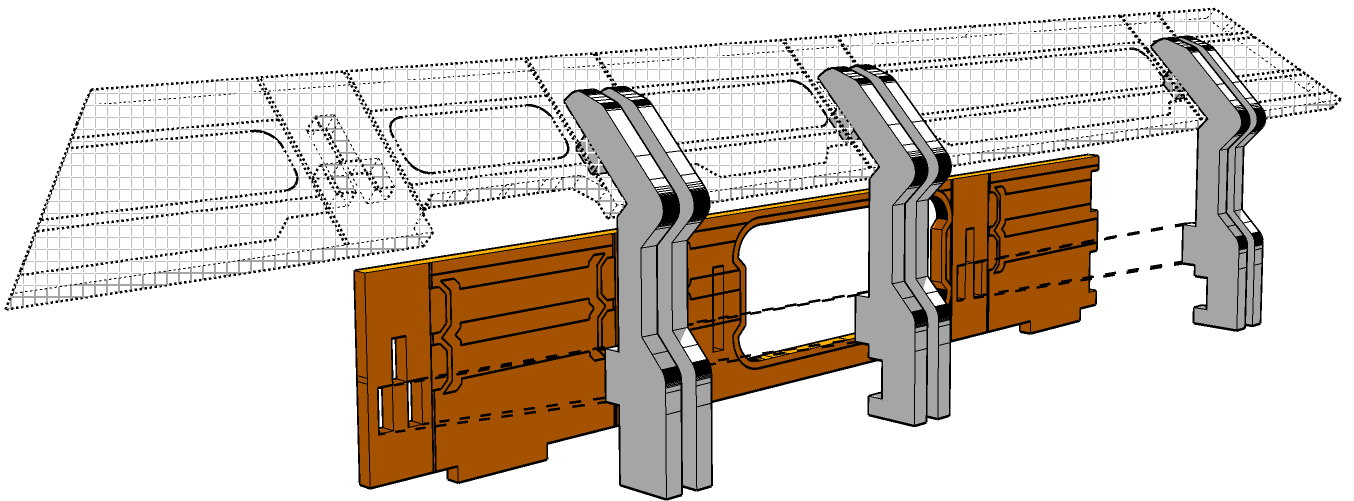
 **TTCOMBAT**



TABLETOP SCENICS

TTSCW-SFU-164
Street Wars:
Surgery

14

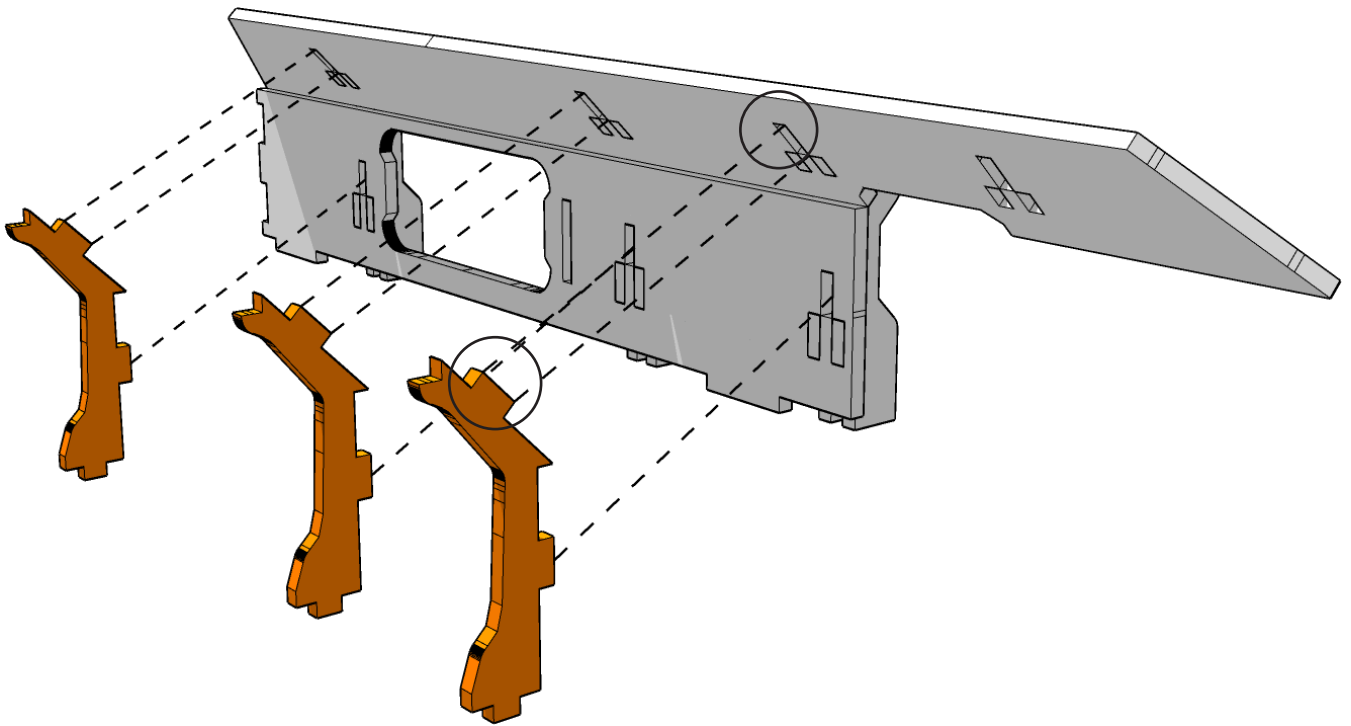




TABLETOP SCENICS

TTSCW-SFU-164
Street Wars:
Surgery

15



Position the top tab of the highlighted part (circled), into the upper wall section first (circled). You can then gently press fit the bottom tab into the lower wall



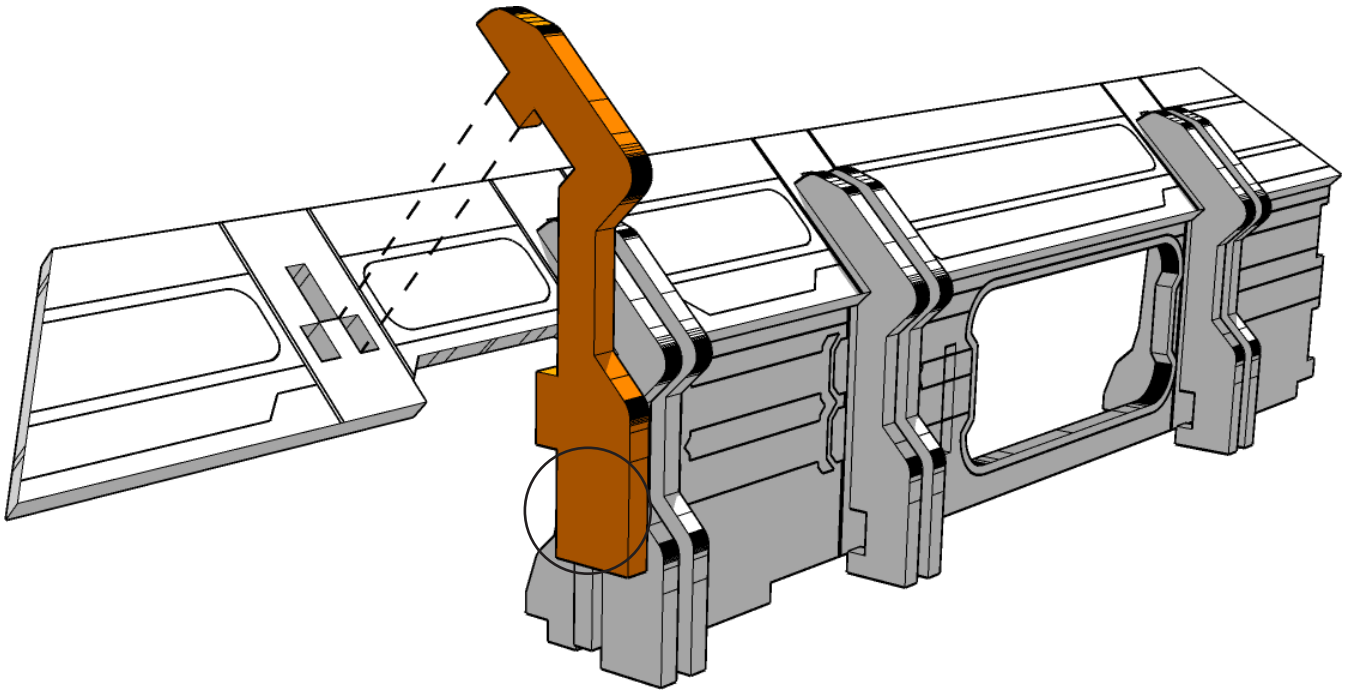
 **TTCOMBAT**



TABLETOP SCENICS

TTSCW-SFU-164
Street Wars:
Surgery

16



Highlighted part doesnt have bottom slot



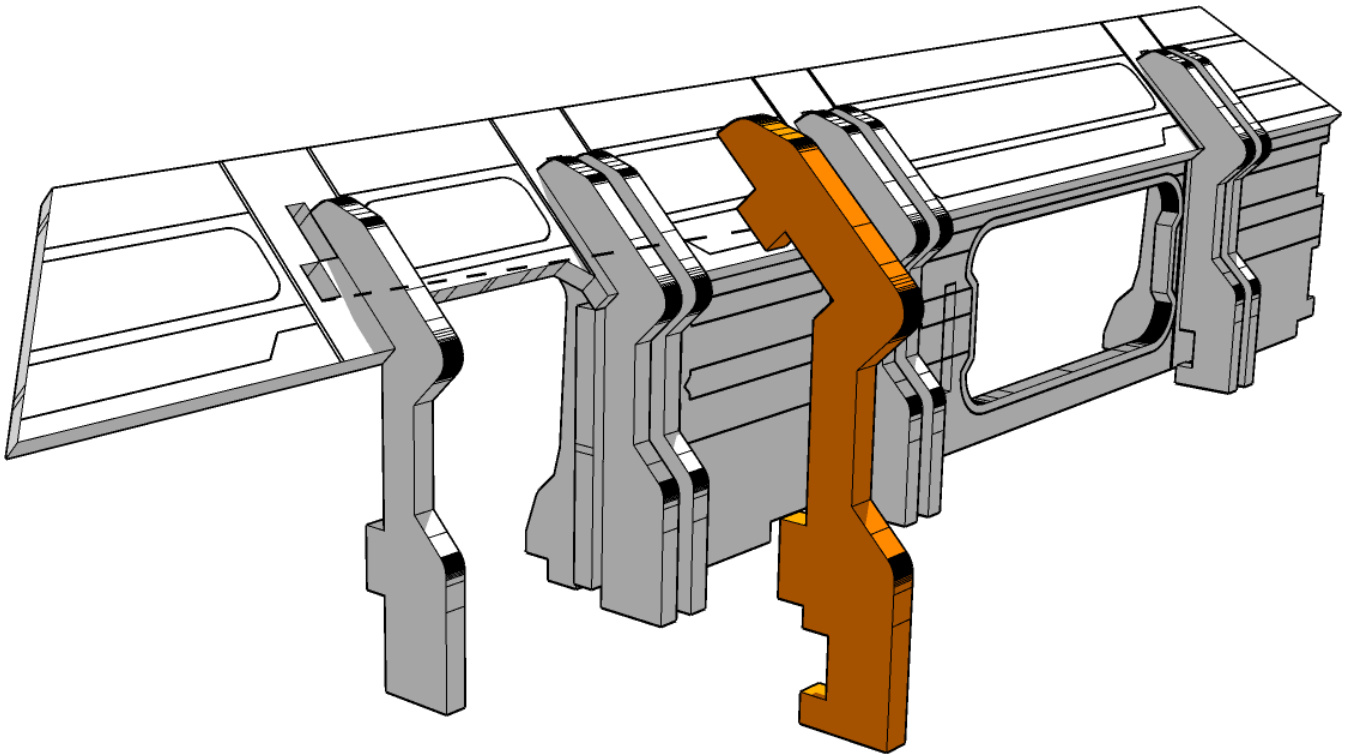
 **TTCOMBAT**



TABLETOP SCENICS

TTSCW-SFU-164
Street Wars:
Surgery

17

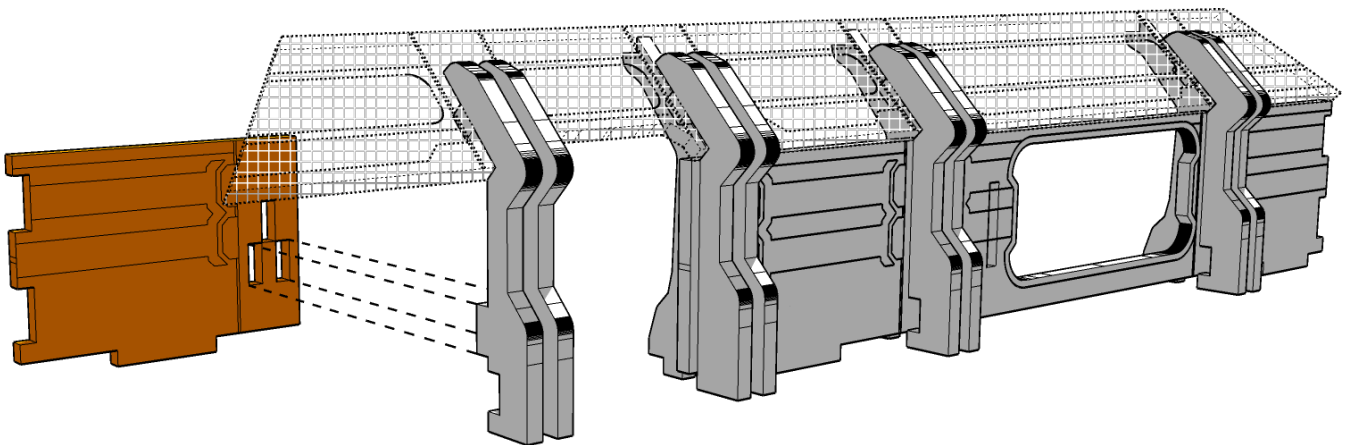




TABLETOP SCENICS

TTSCW-SFU-164
Street Wars:
Surgery

18

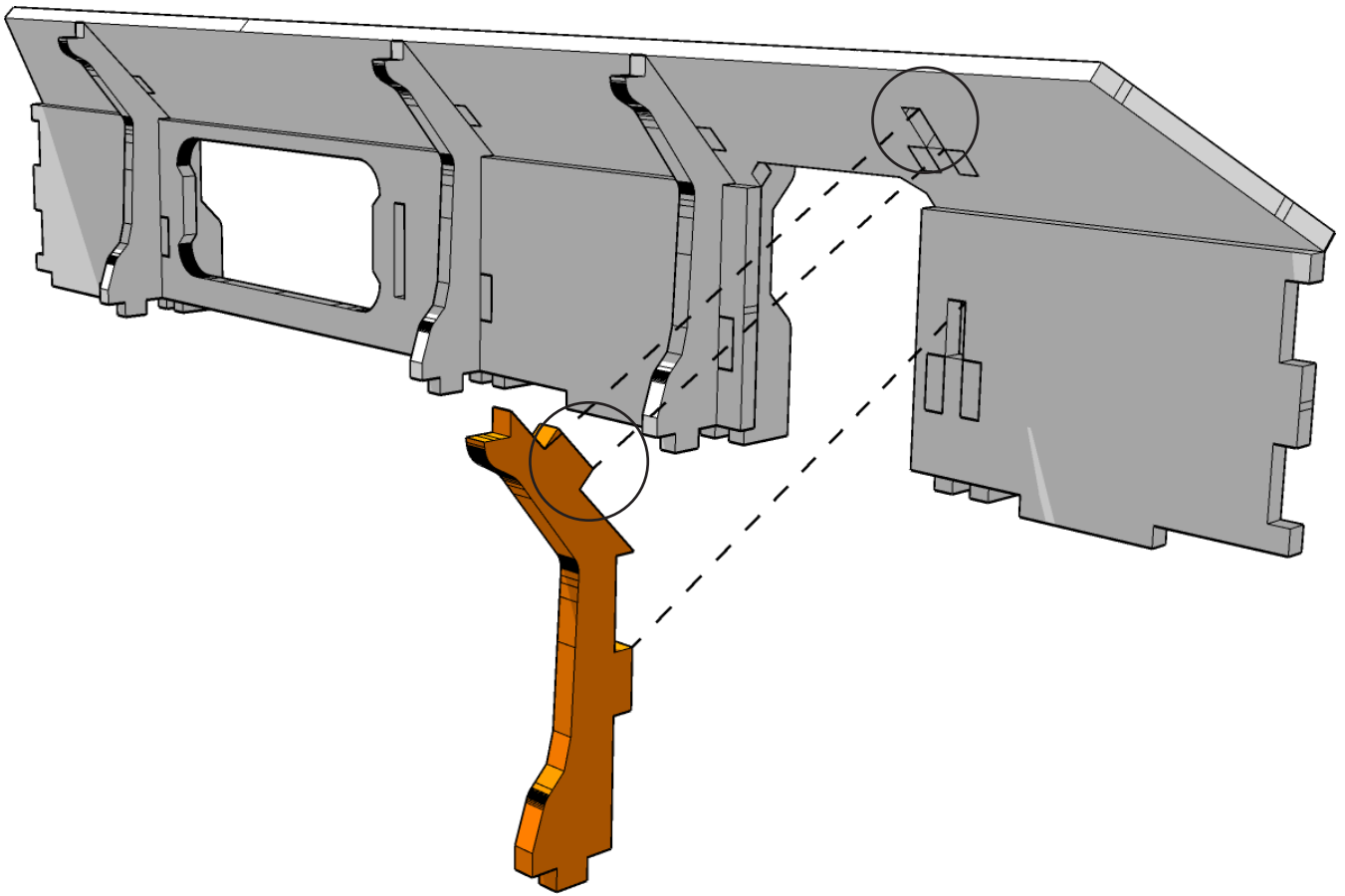




TABLETOP SCENICS

TTSCW-SFU-164
Street Wars:
Surgery

19



Position the top tab of the highlighted part (circled), into the upper wall section first (circled). You can then gently press fit the bottom tab into the lower wall



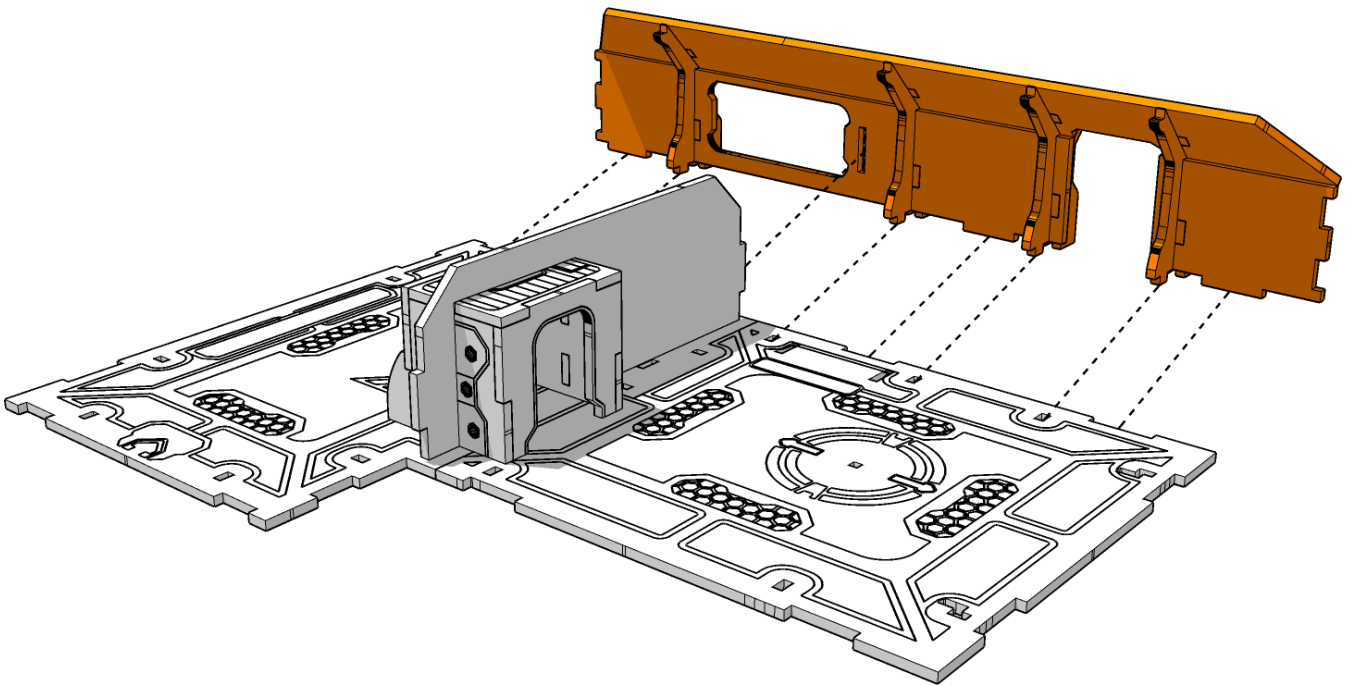
 **TTCOMBAT**



TABLETOP SCENICS

TTSCW-SFU-164
Street Wars:
Surgery

20



Highlighted part slots into multiple sections at once. Recommended to align the bottom tabs of the wall on the highlighted part to the floor first and then twist up into position. This should allow the inner supports to find their slots and connect to the wall.



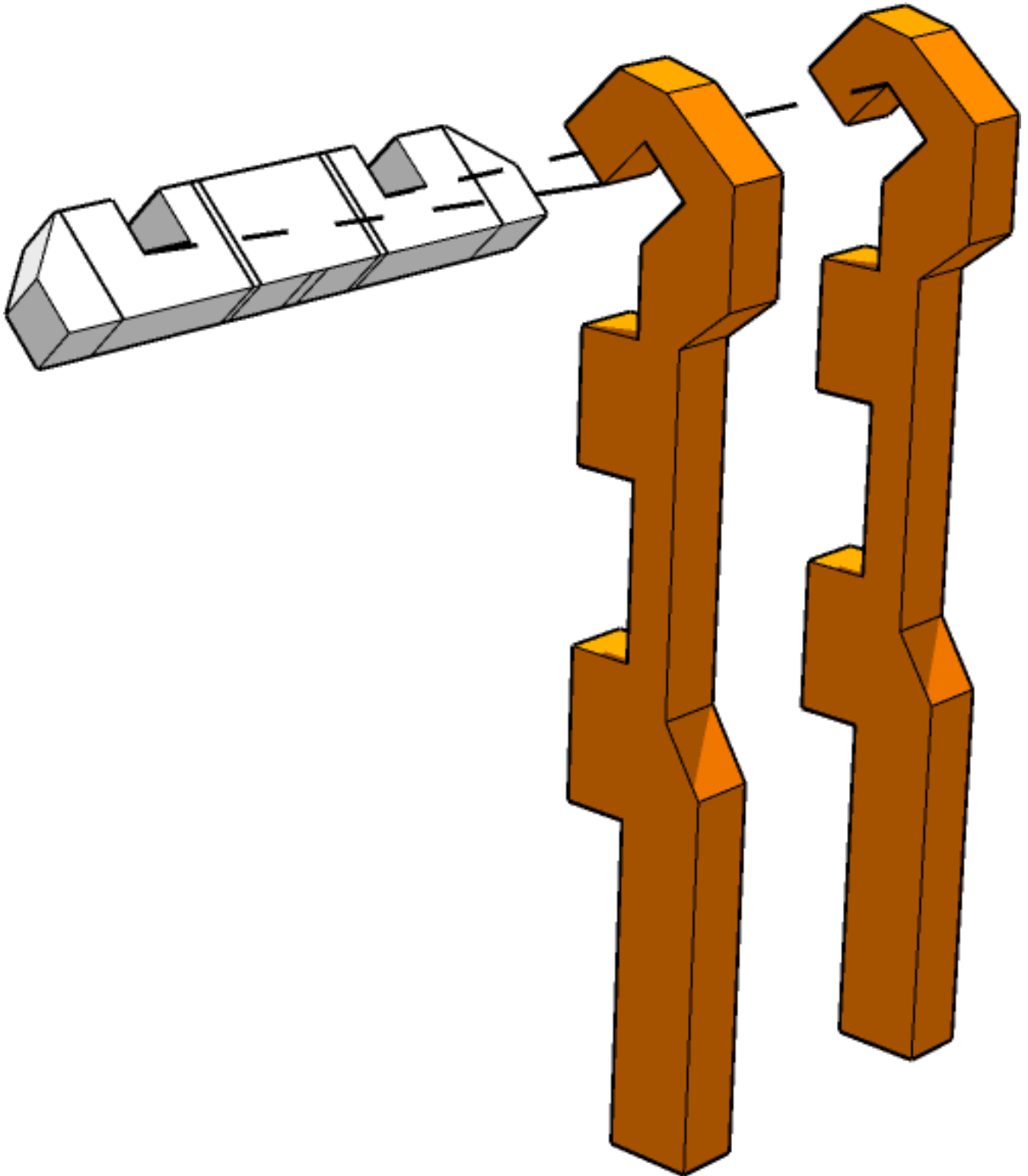
 **TTCOMBAT**



TABLETOP SCENICS

TTSCW-SFU-164
Street Wars:
Surgery

21

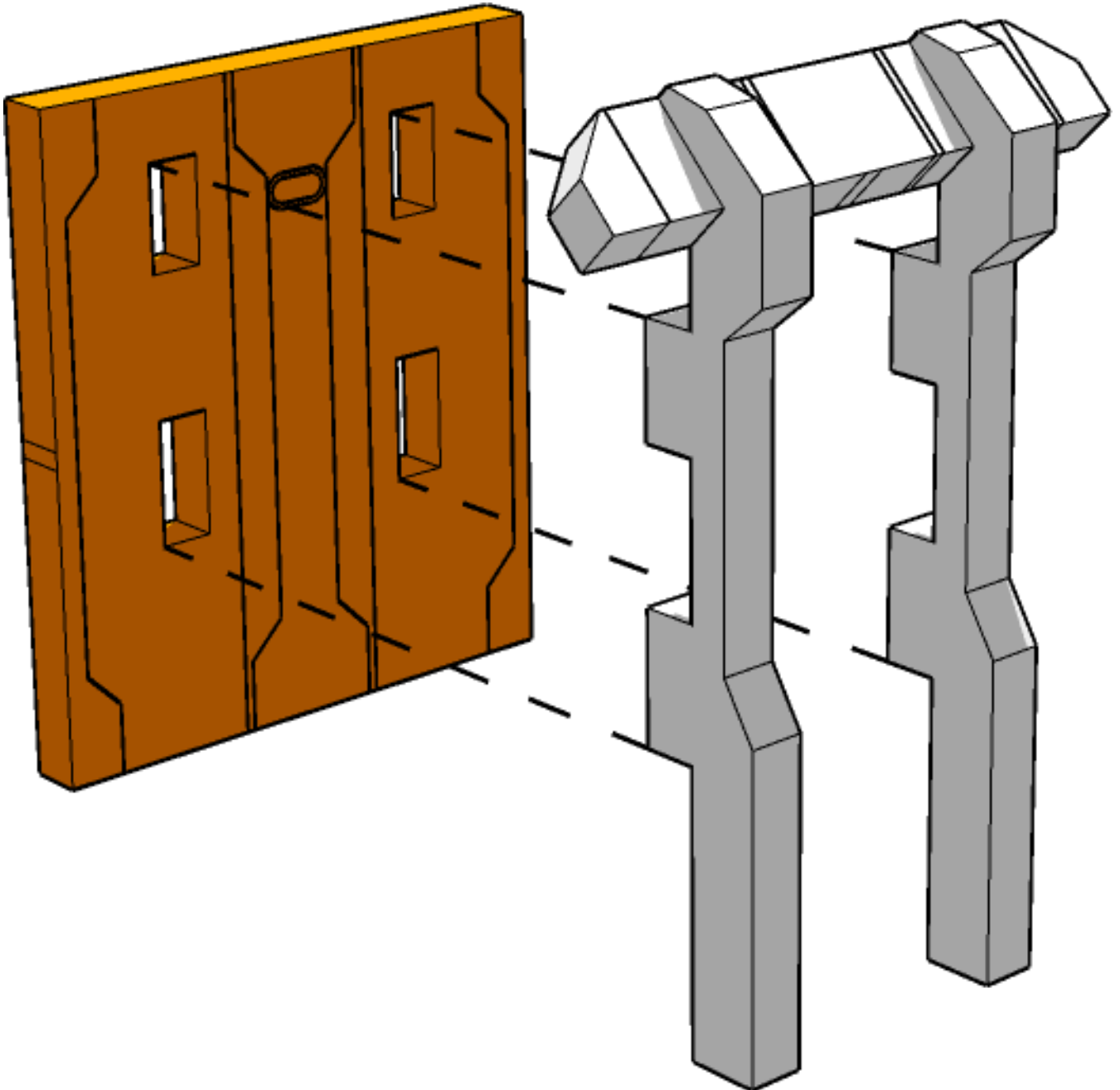




TABLETOP SCENICS

TTSCW-SFU-164
Street Wars:
Surgery

22

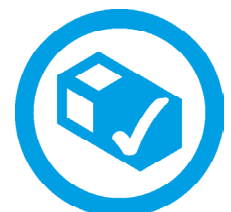
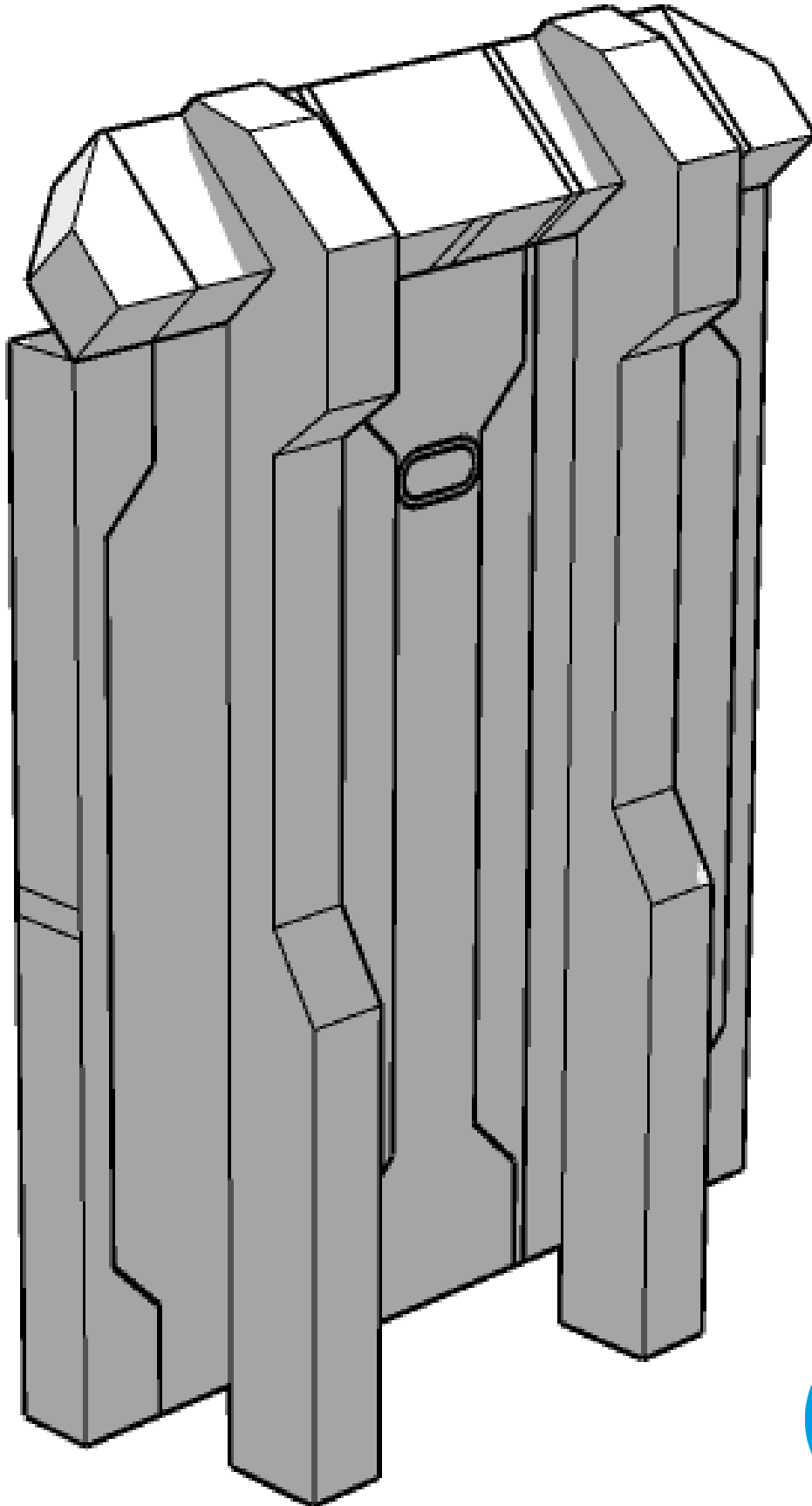




TABLETOP SCENICS

TTSCW-SFU-164
Street Wars:
Surgery

23

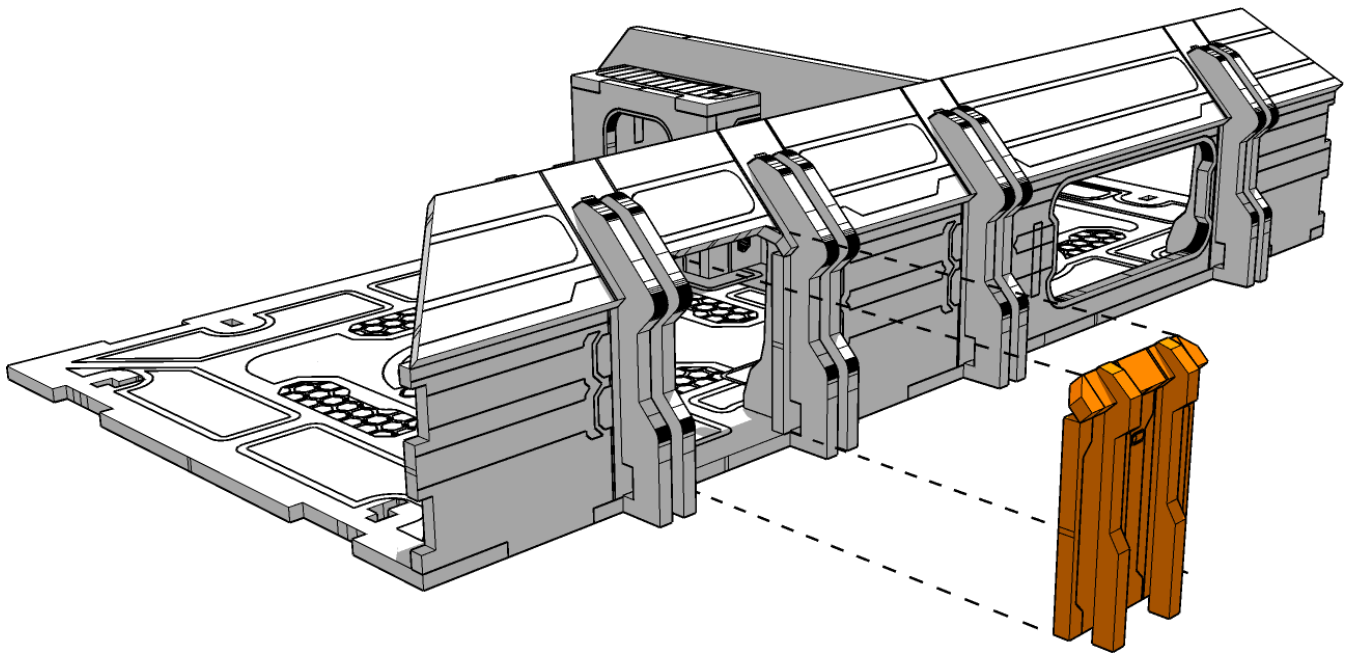




TABLETOP SCENICS

TTSCW-SFU-164
Street Wars:
Surgery

24



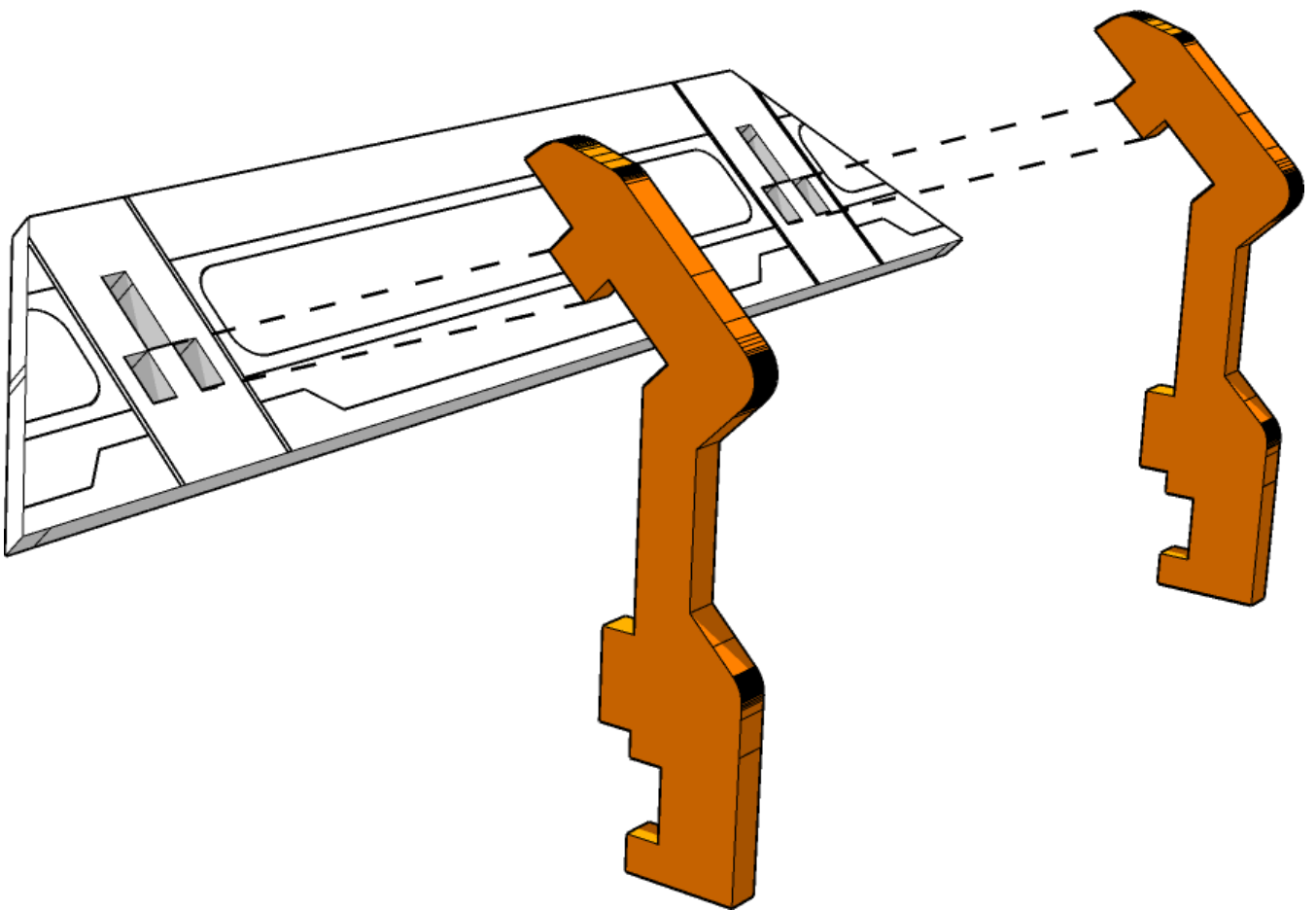
Optional to glue door into place or not



TABLETOP SCENICS

TTSCW-SFU-164
Street Wars:
Surgery

25

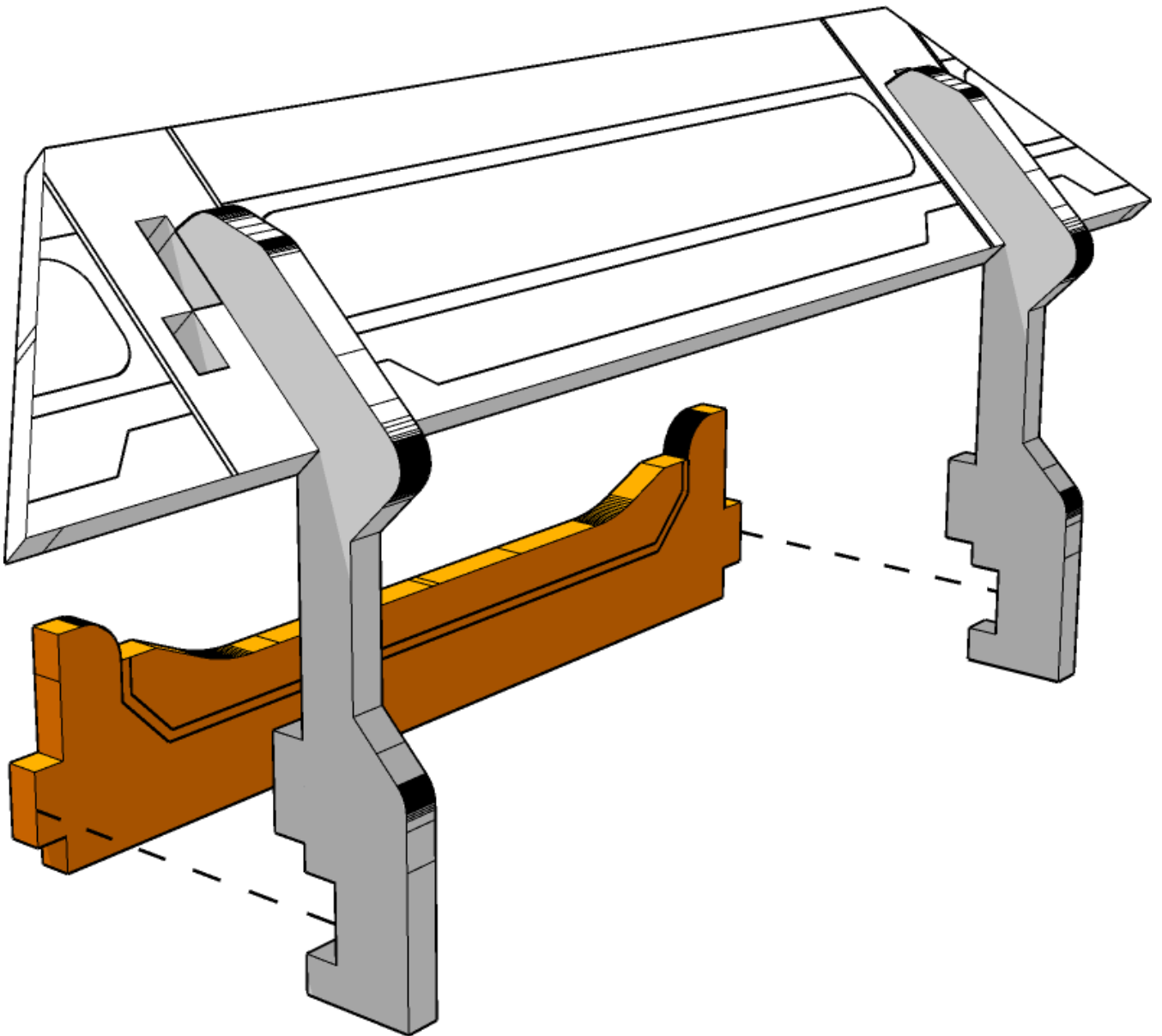




TABLETOP SCENICS

TTSCW-SFU-164
Street Wars:
Surgery

26

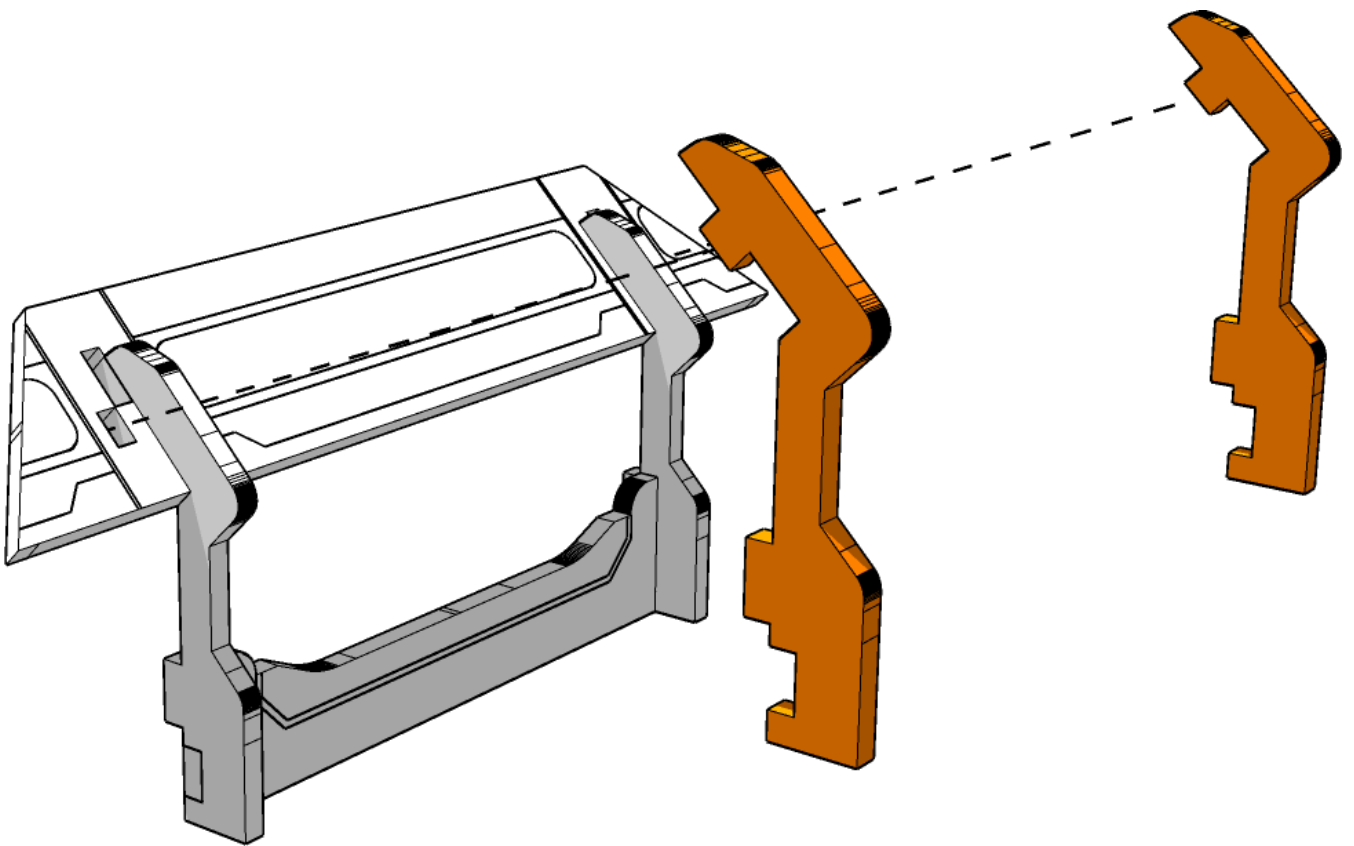




TABLETOP SCENICS

TTSCW-SFU-164
Street Wars:
Surgery

27

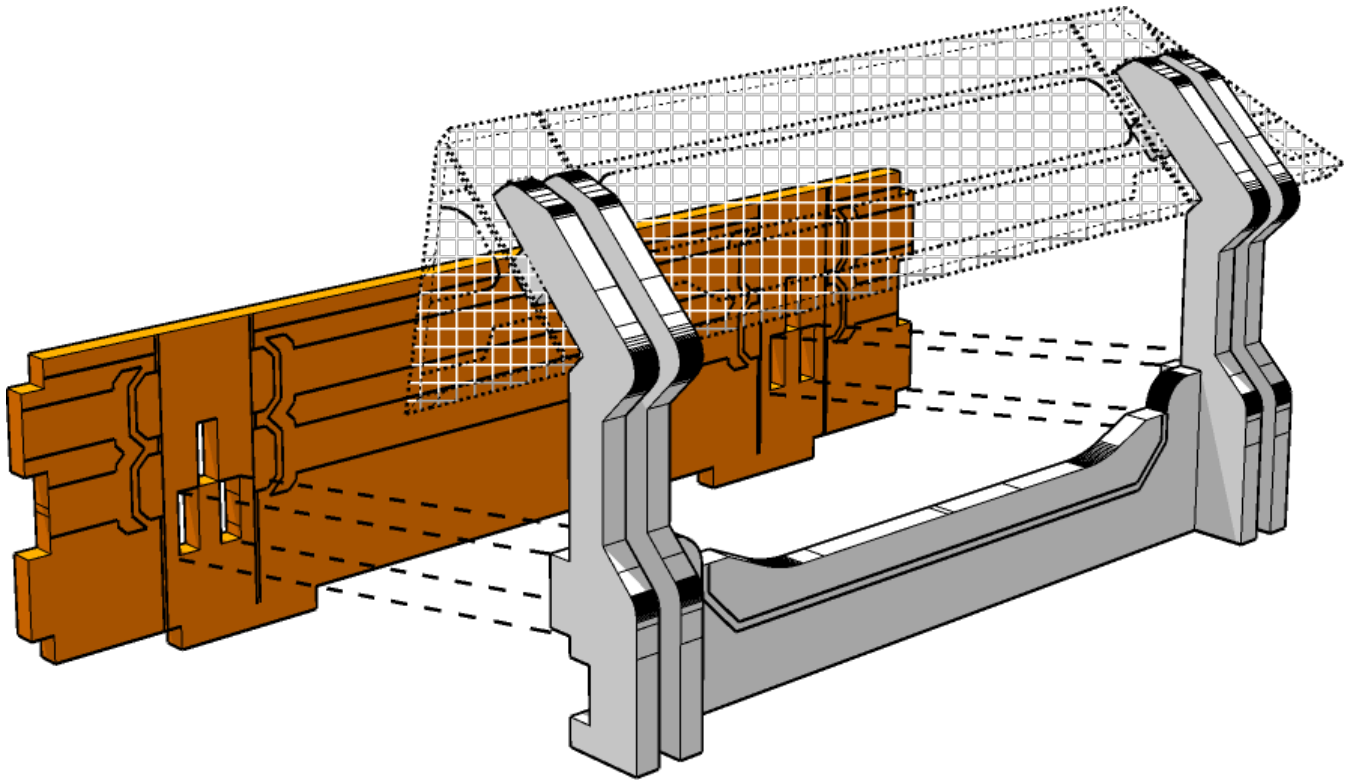




TABLETOP SCENICS

TTSCW-SFU-164
Street Wars:
Surgery

28

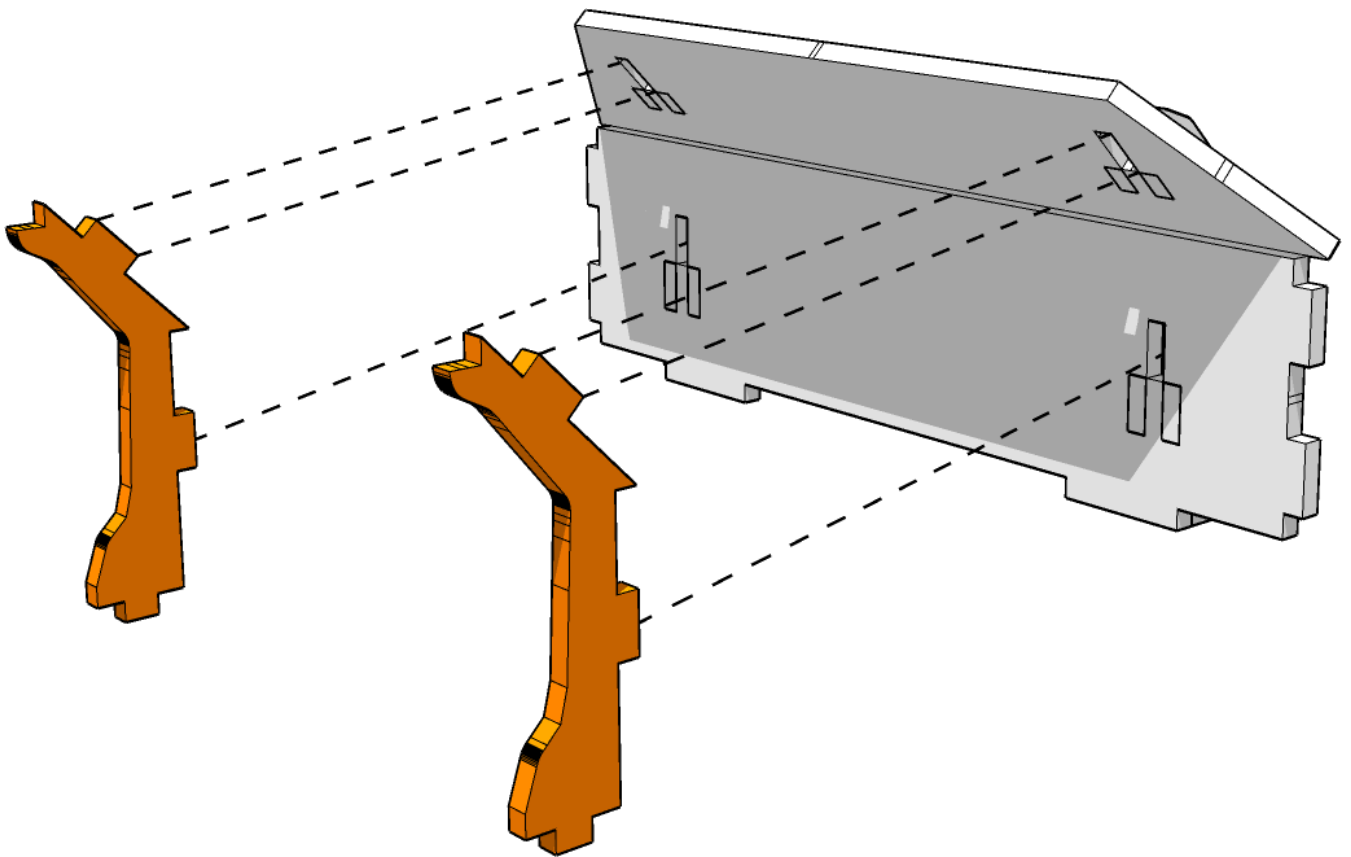




TABLETOP SCENICS

TTSCW-SFU-164
Street Wars:
Surgery

29



Position the top tab of the highlighted part, into the upper wall section first. You can then gently press fit the bottom tab into the lower wall

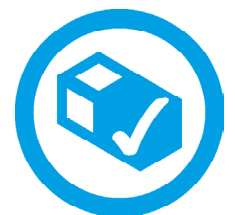
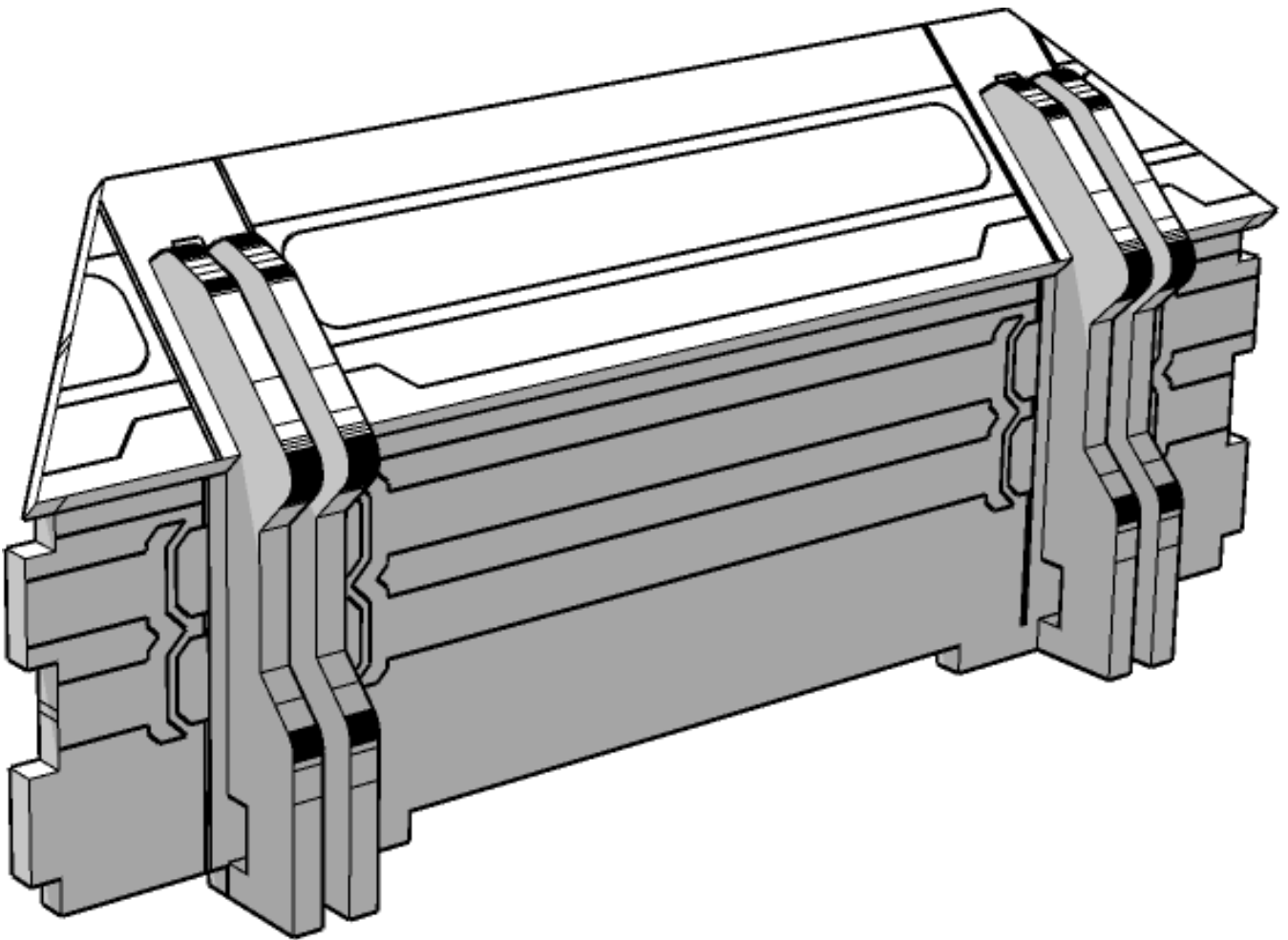




TABLETOP SCENICS

TTSCW-SFU-164
Street Wars:
Surgery

30



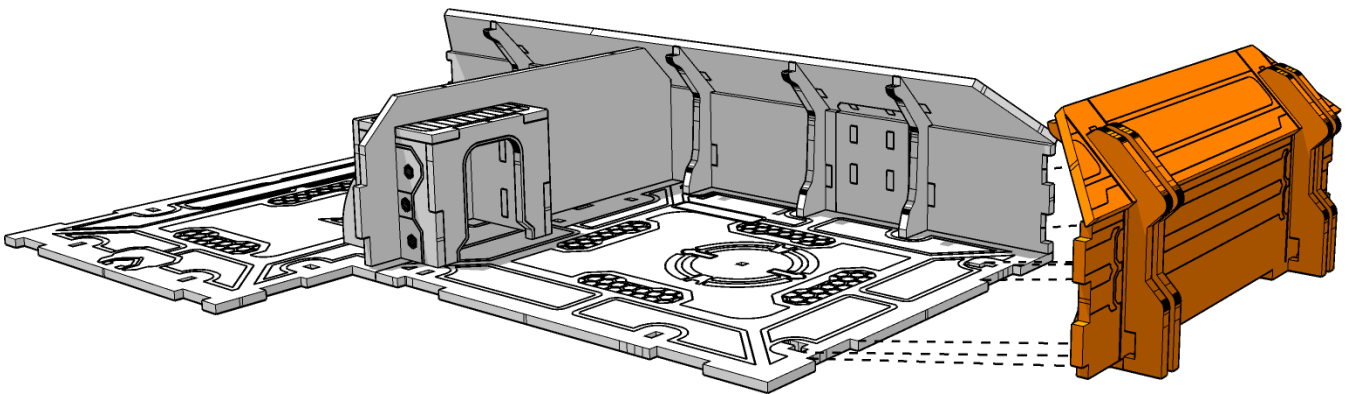
 TTCOMBAT



TABLETOP SCENICS

TTSCW-SFU-164
Street Wars:
Surgery

31



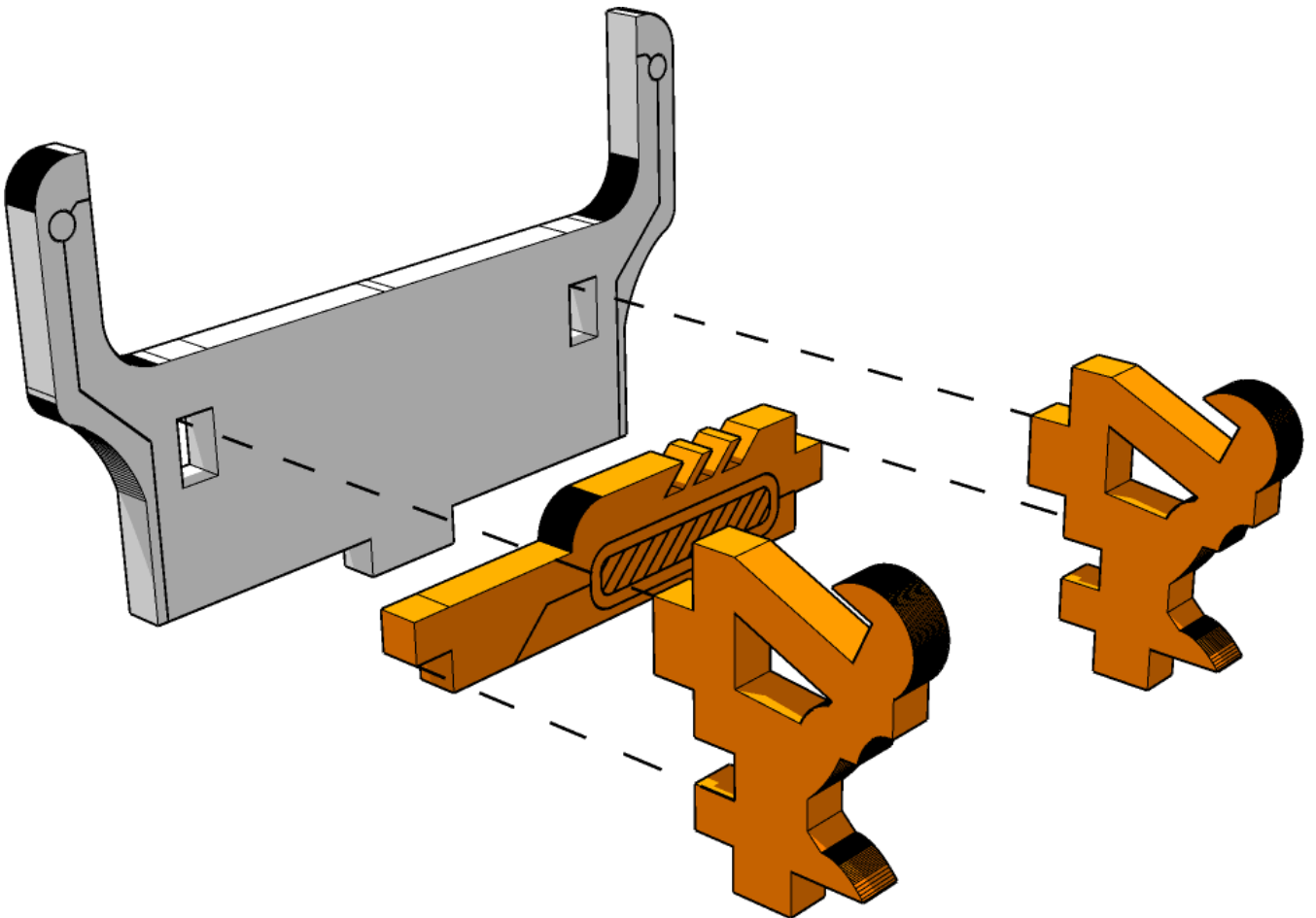
Align wall tabs to the floor first at at 45 degree angle, then twist upwards for the support tabs to go into place



TABLETOP SCENICS

TTSCW-SFU-164
Street Wars:
Surgery

32

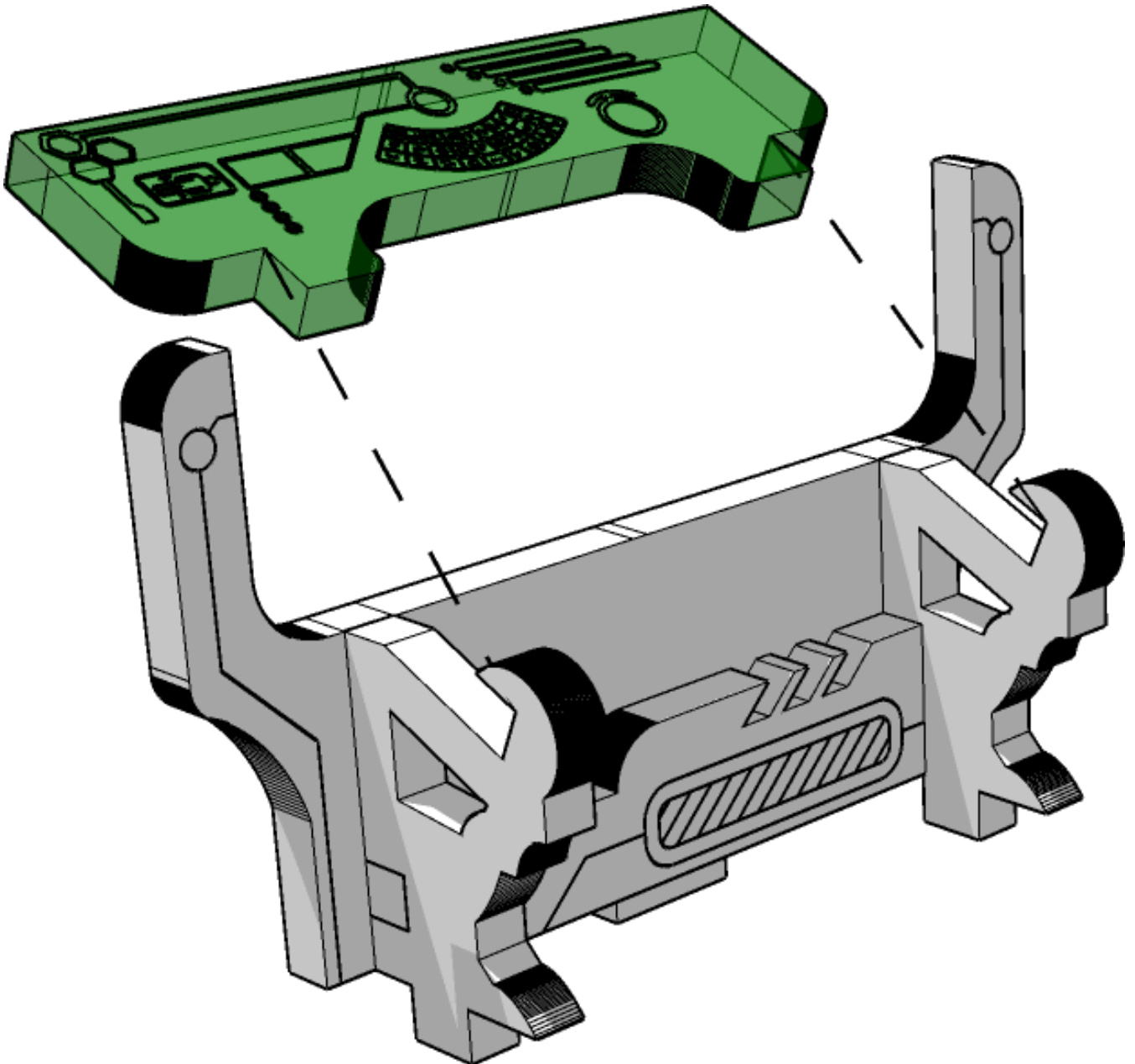




TABLETOP SCENICS

TTSCW-SFU-164
Street Wars:
Surgery

33

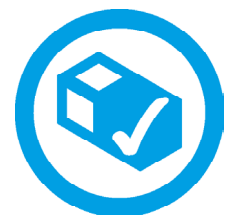
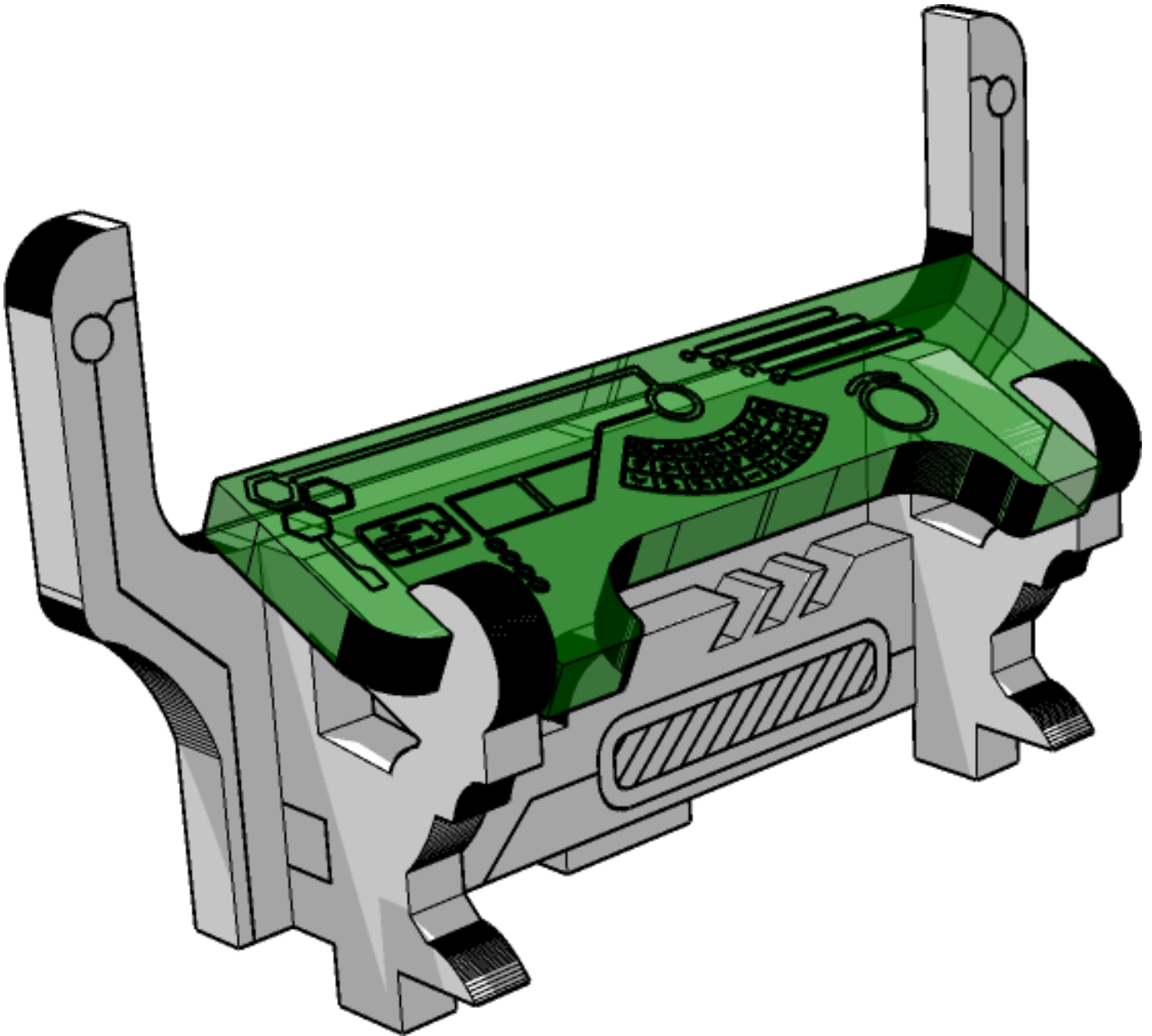




TABLETOP SCENICS

TTSCW-SFU-164
Street Wars:
Surgery

34



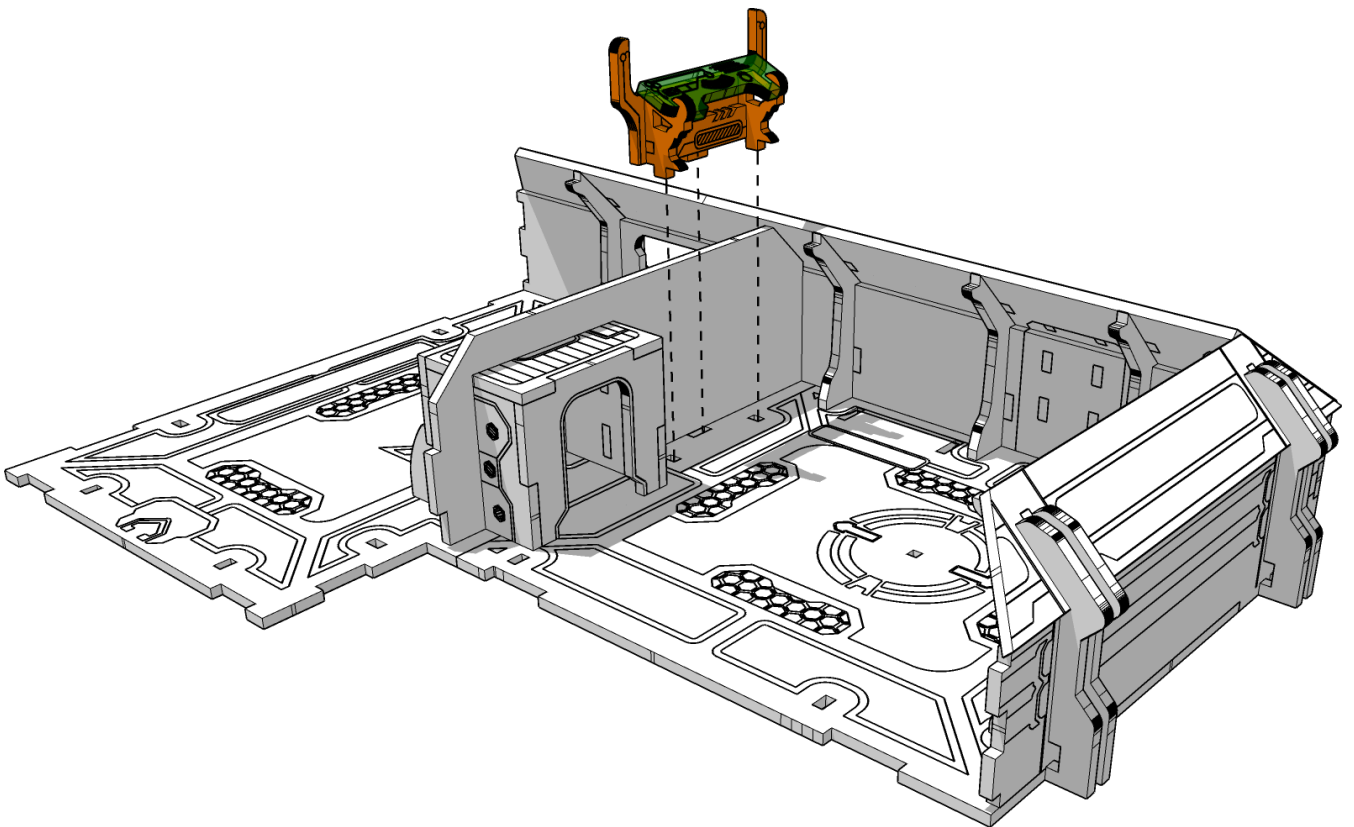
 TTCOMBAT



TABLETOP SCENICS

TTSCW-SFU-164
Street Wars:
Surgery

35

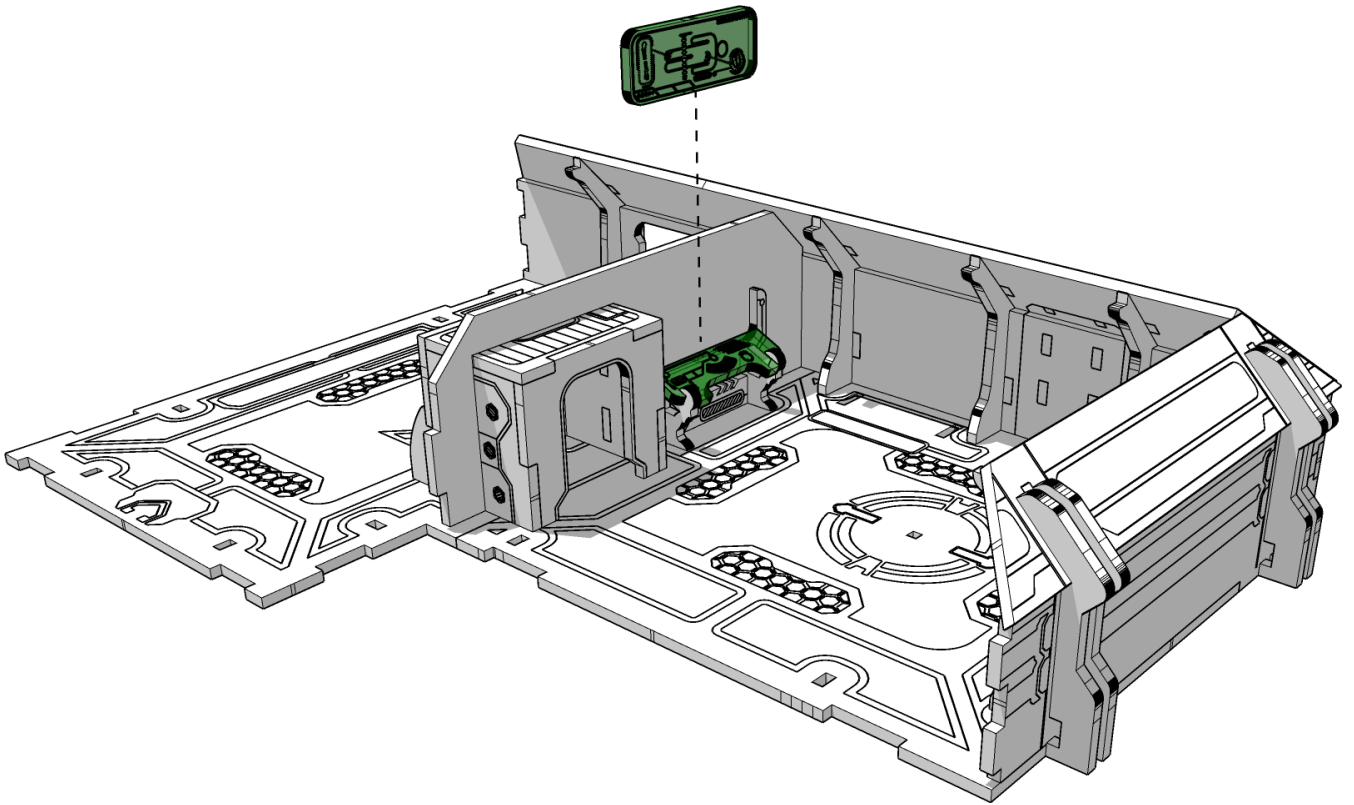




TABLETOP SCENICS

TTSCW-SFU-164
Street Wars:
Surgery

36

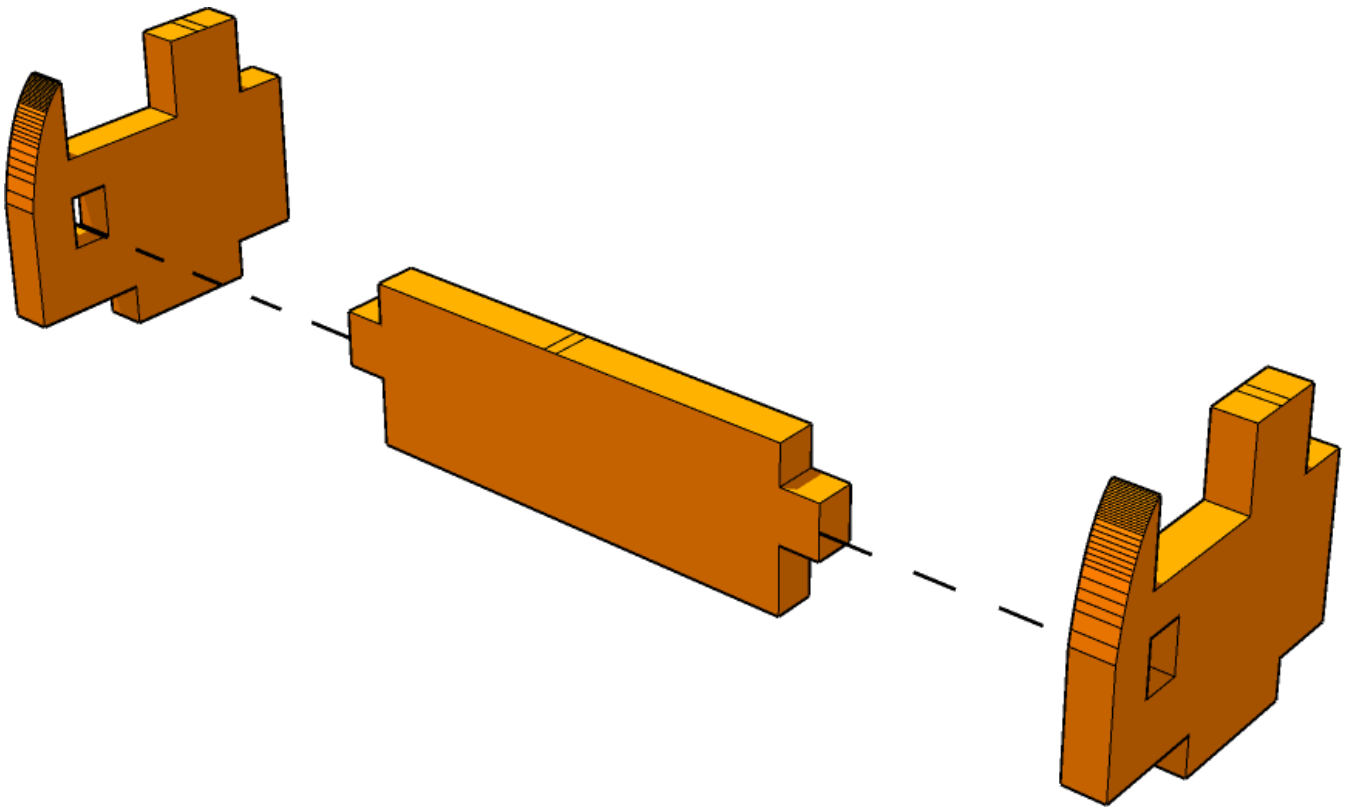




TABLETOP SCENICS

TTSCW-SFU-164
Street Wars:
Surgery

37

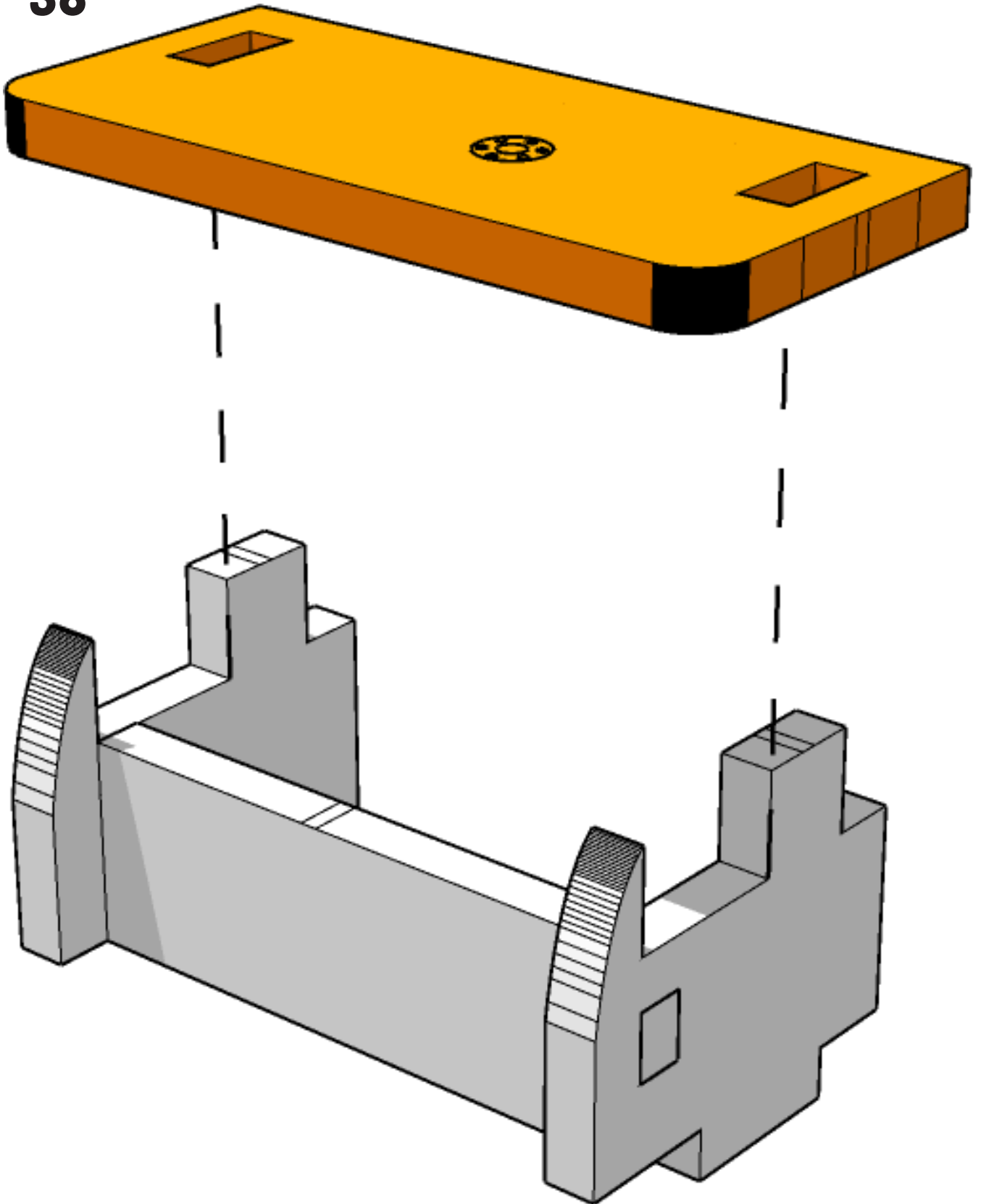




TABLETOP SCENICS

TTSCW-SFU-164
Street Wars:
Surgery

38

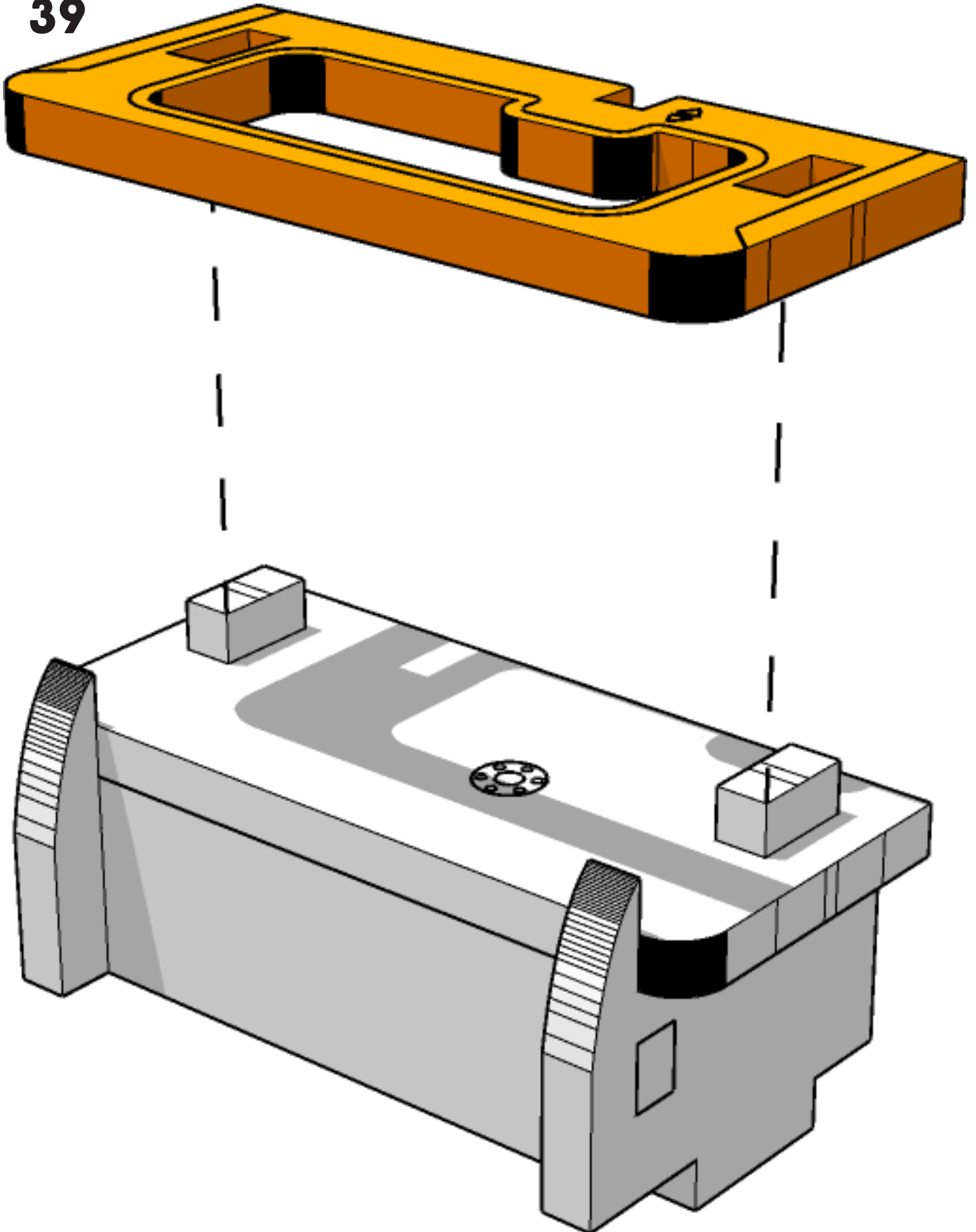




TABLETOP SCENICS

TTSCW-SFU-164
Street Wars:
Surgery

39

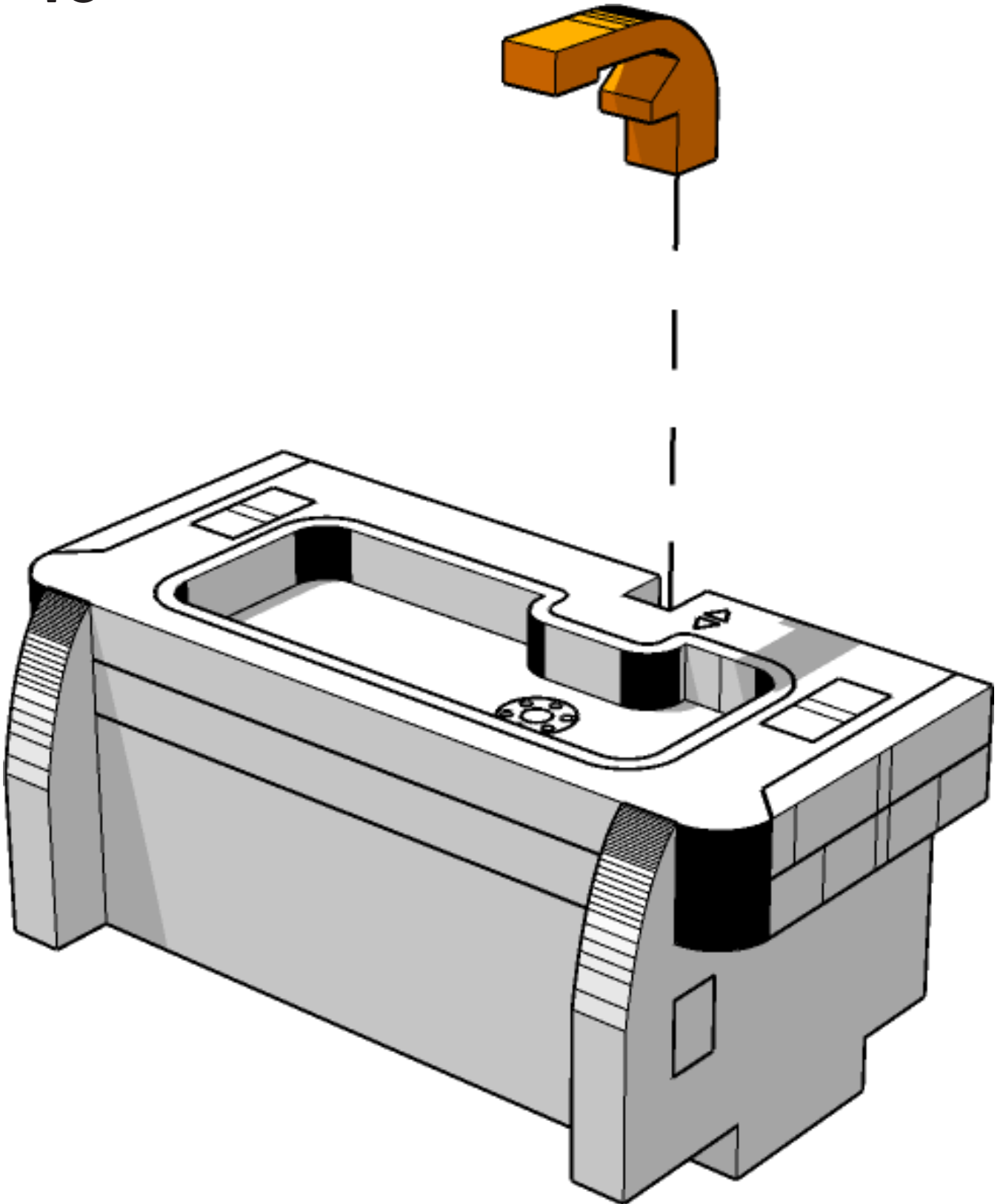




TABLETOP SCENICS

TTSCW-SFU-164
Street Wars:
Surgery

40

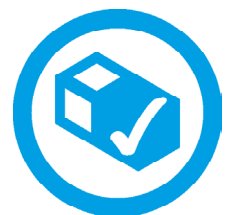
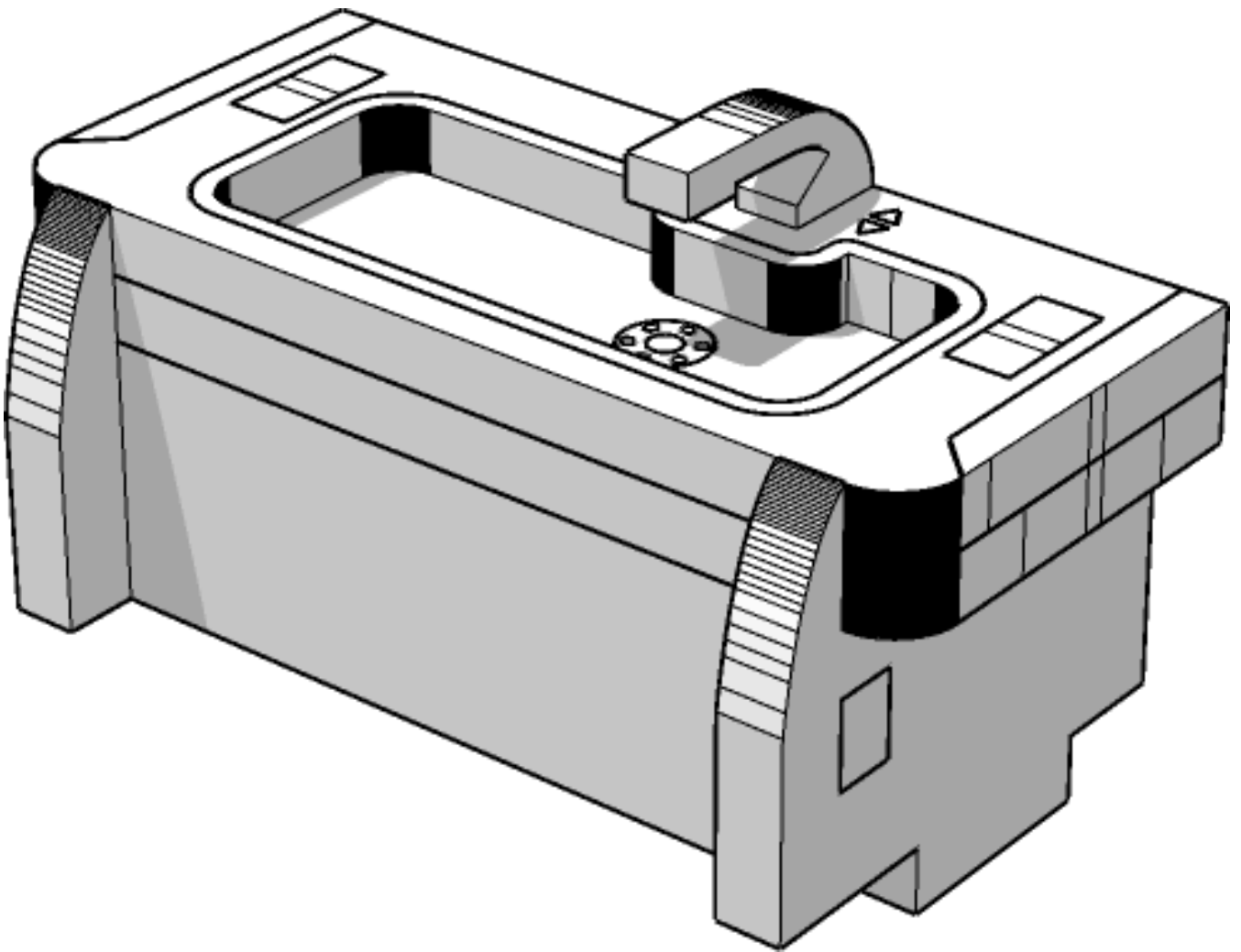




TABLETOP SCENICS

TTSCW-SFU-164
Street Wars:
Surgery

41



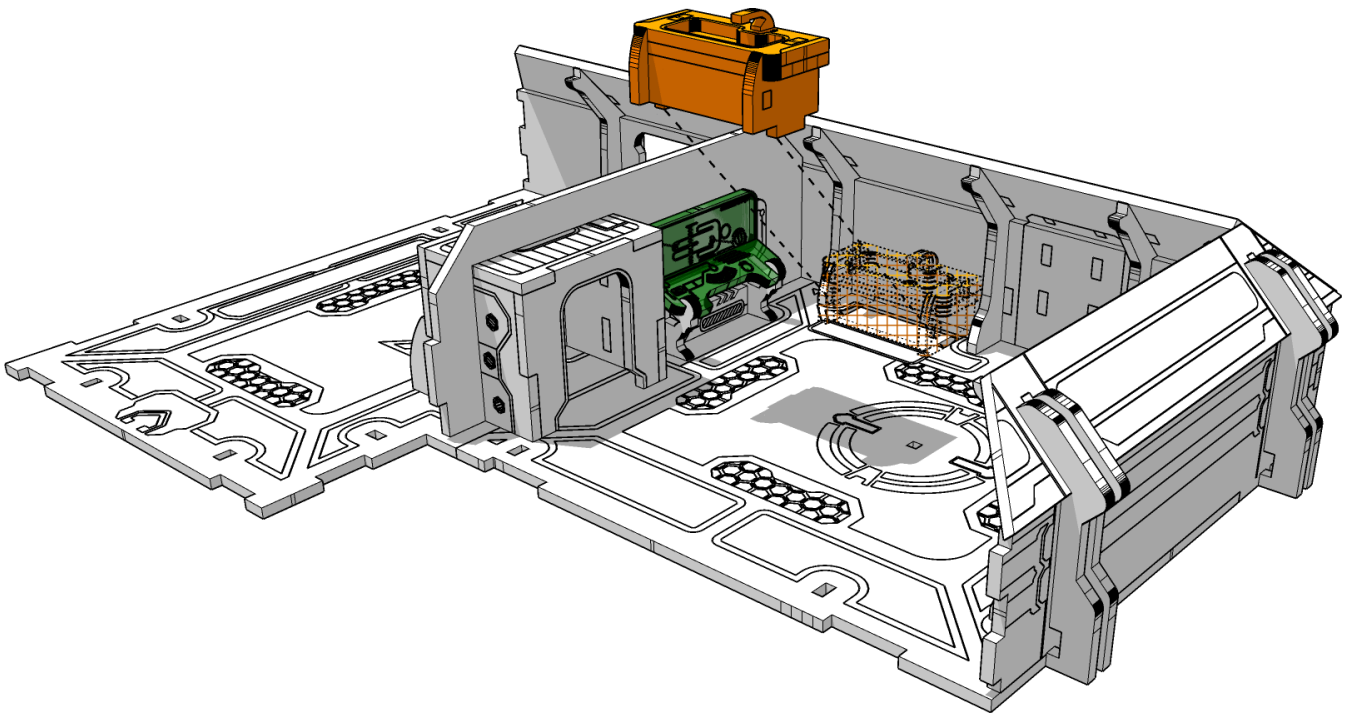
 **TTCOMBAT**



TABLETOP SCENICS

TTSCW-SFU-164
Street Wars:
Surgery

42

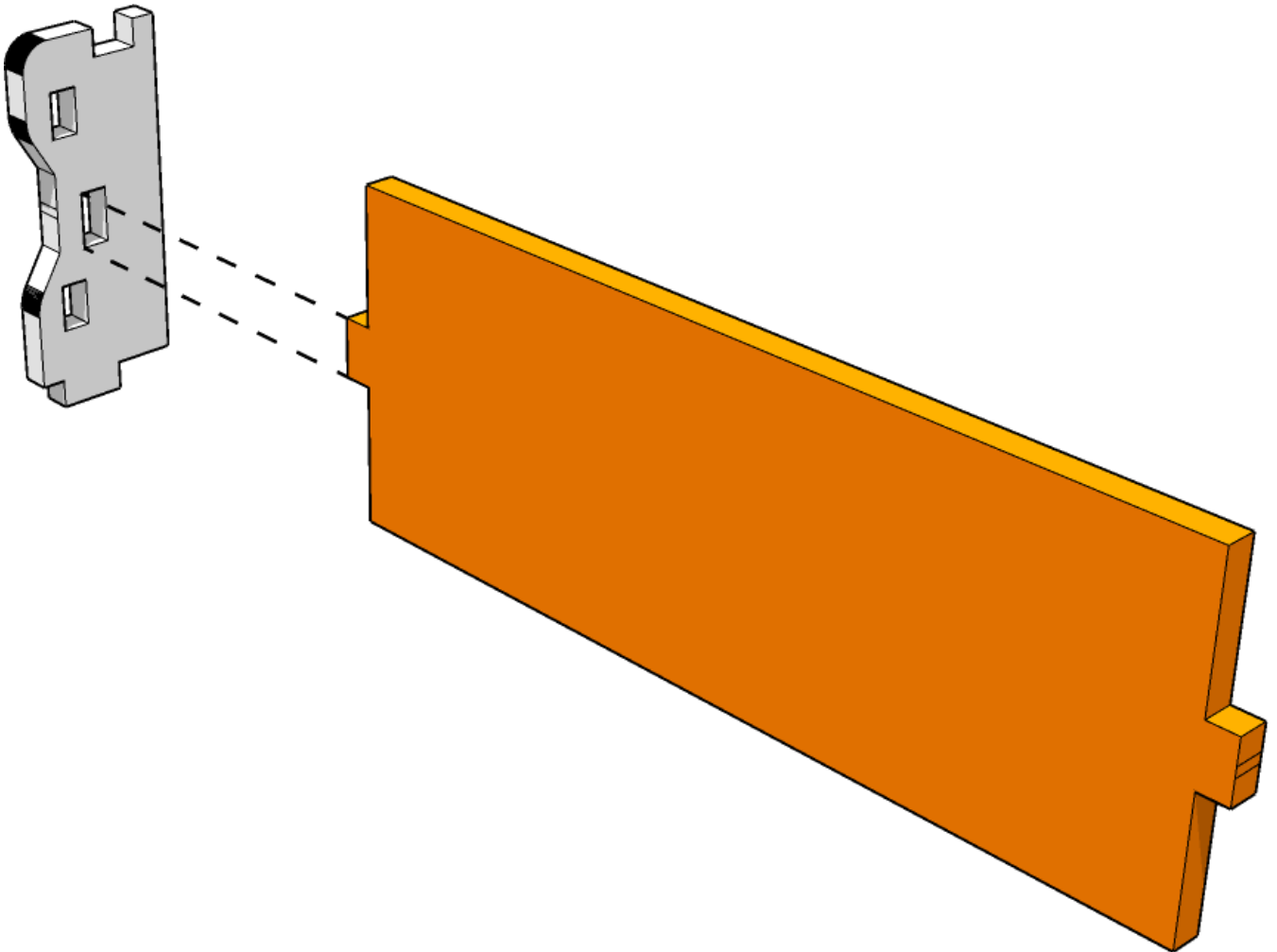




TABLETOP SCENICS

TTSCW-SFU-164
Street Wars:
Surgery

43

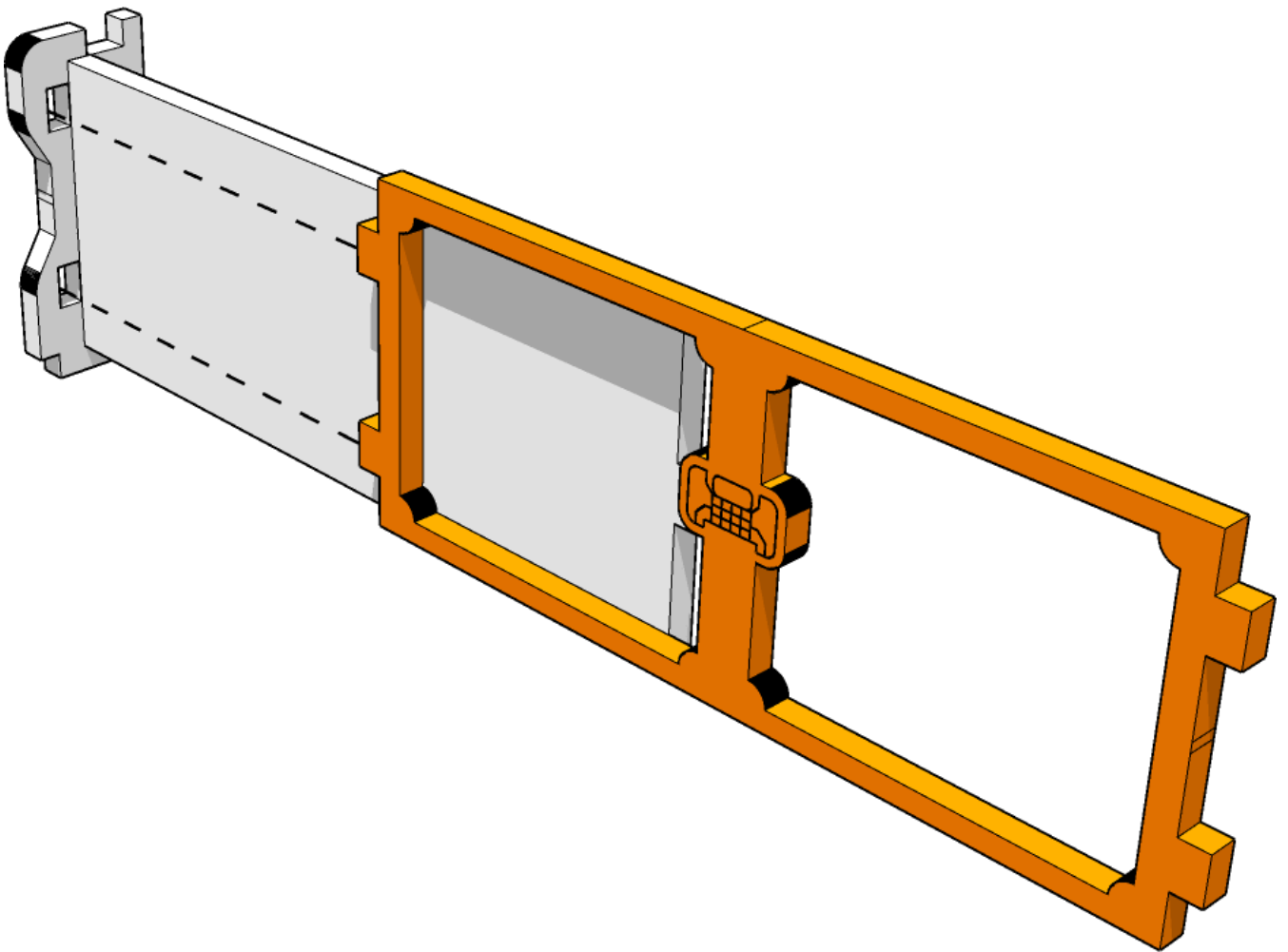




TABLETOP SCENICS

TTSCW-SFU-164
Street Wars:
Surgery

44

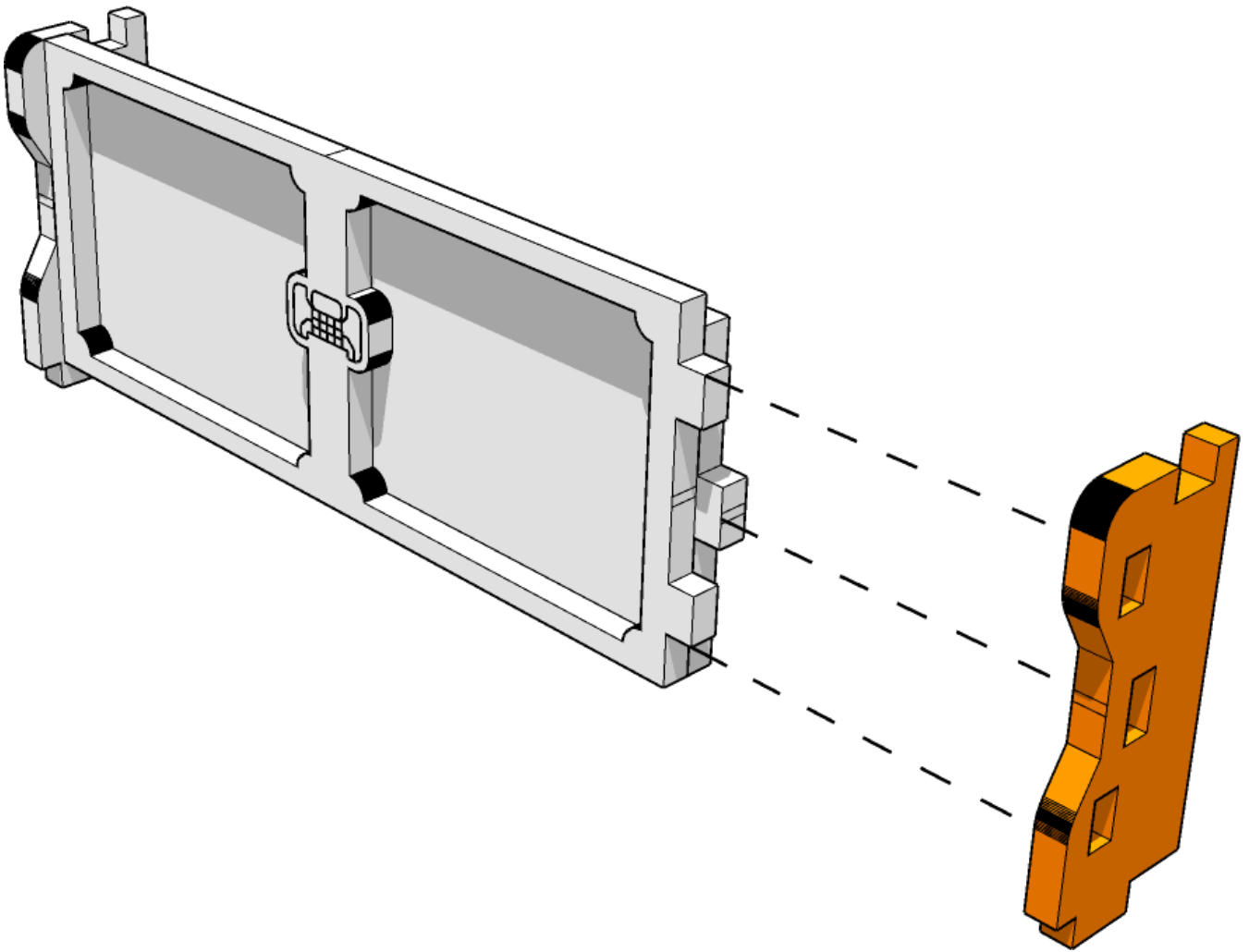




TABLETOP SCENICS

TTSCW-SFU-164
Street Wars:
Surgery

45

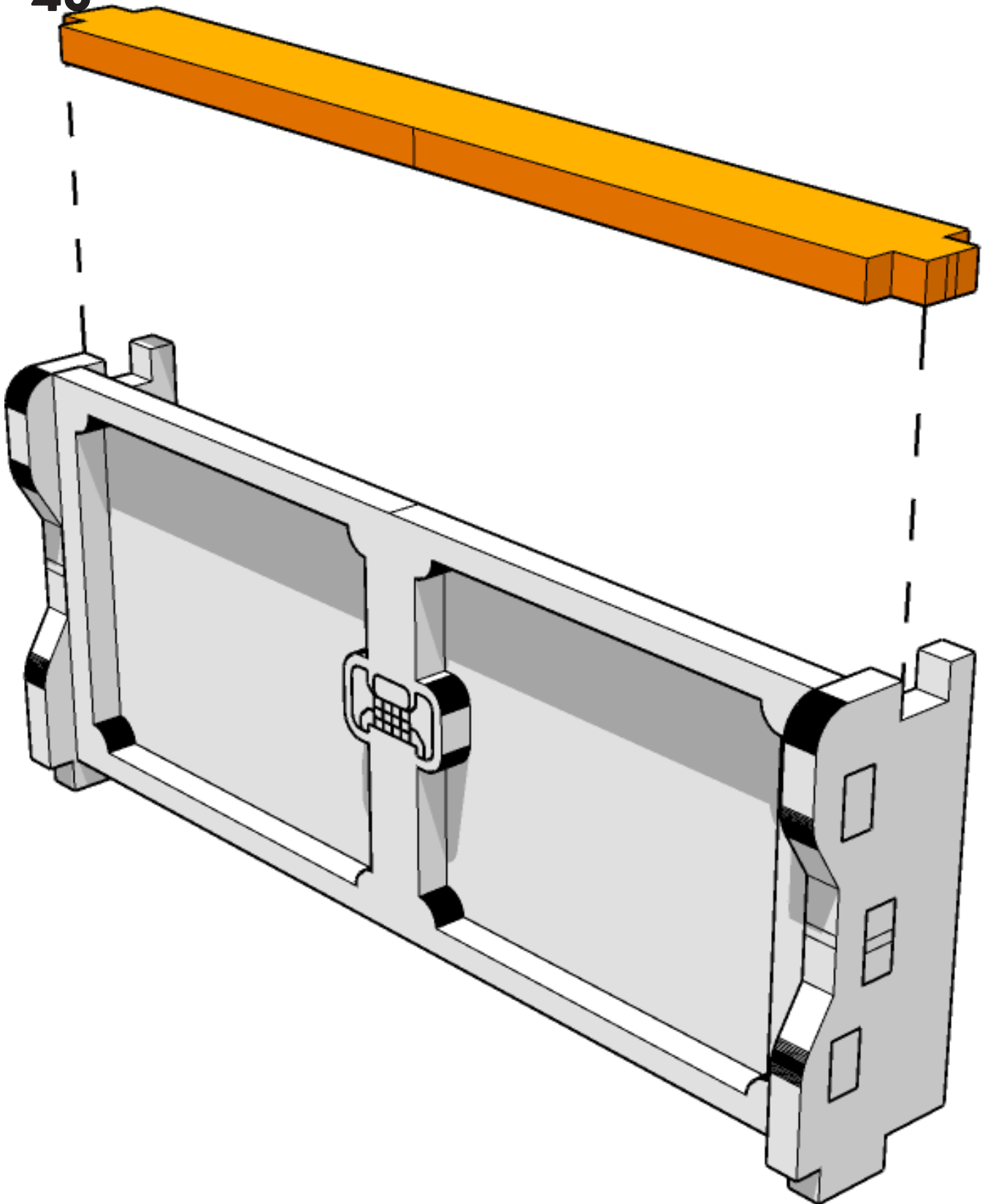




TABLETOP SCENICS

TTSCW-SFU-164
Street Wars:
Surgery

46

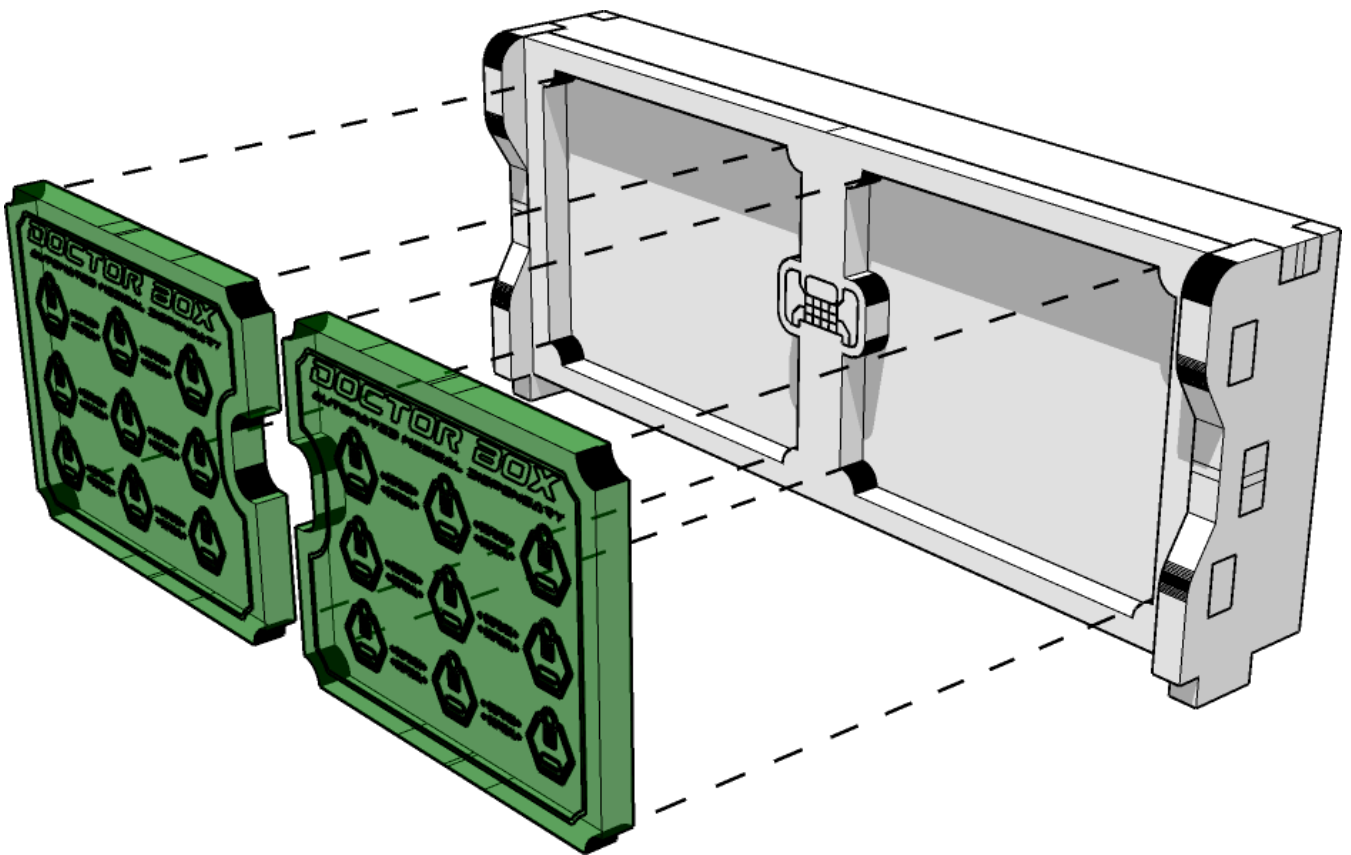




TABLETOP SCENICS

TTSCW-SFU-164
Street Wars:
Surgery

47

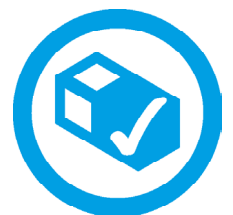
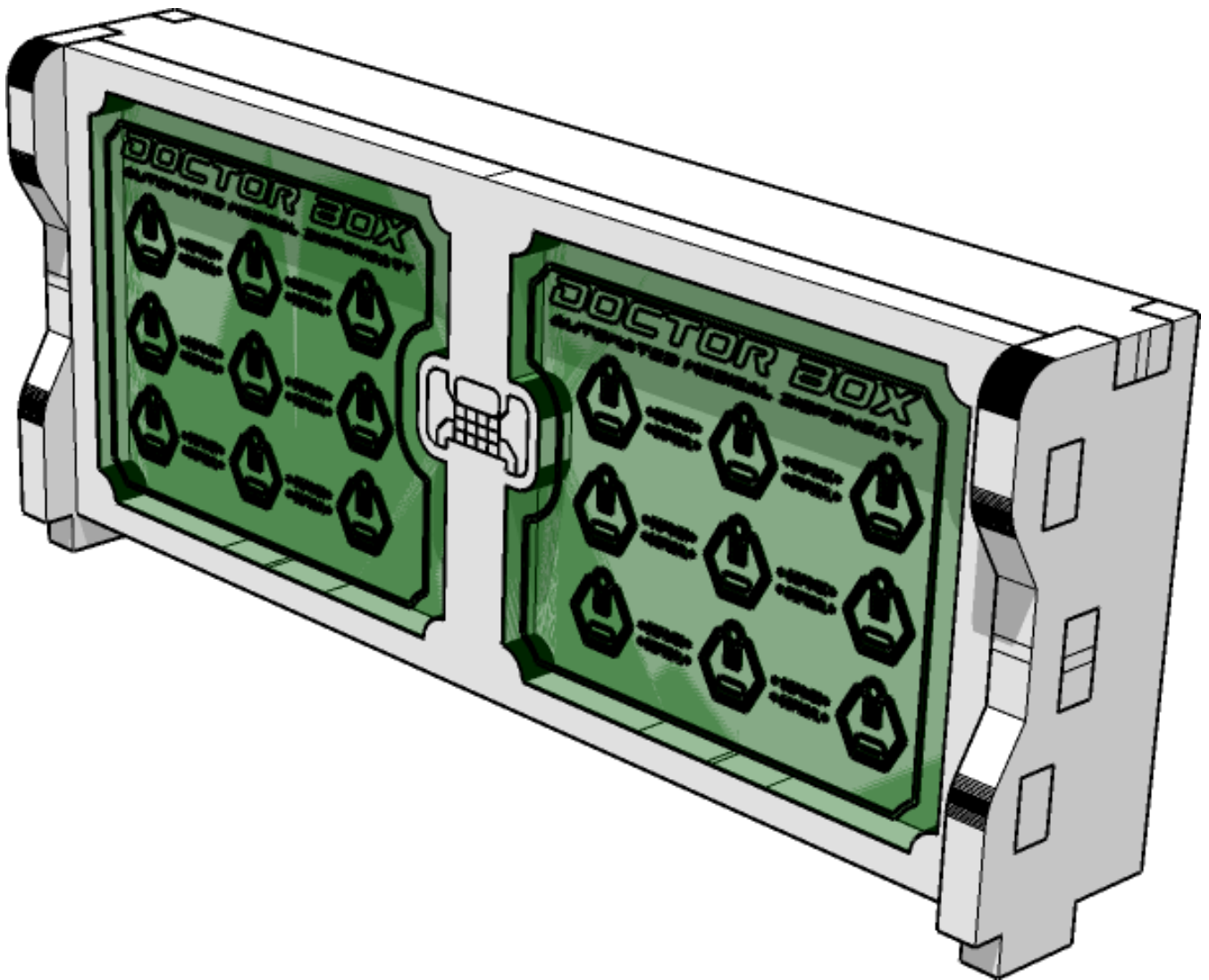




TABLETOP SCENICS

TTSCW-SFU-164
Street Wars:
Surgery

48

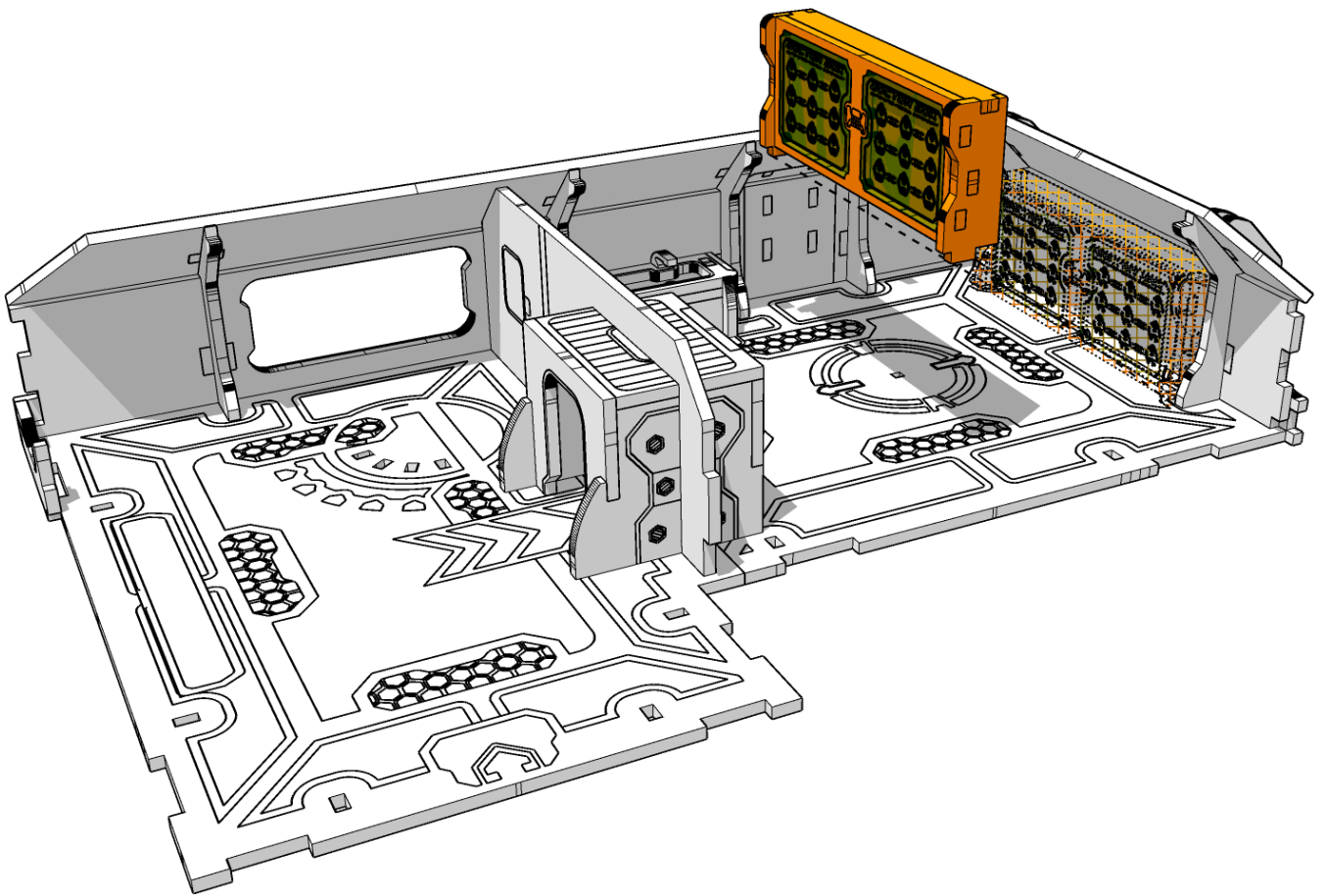




TABLETOP SCENICS

TTSCW-SFU-164
Street Wars:
Surgery

49

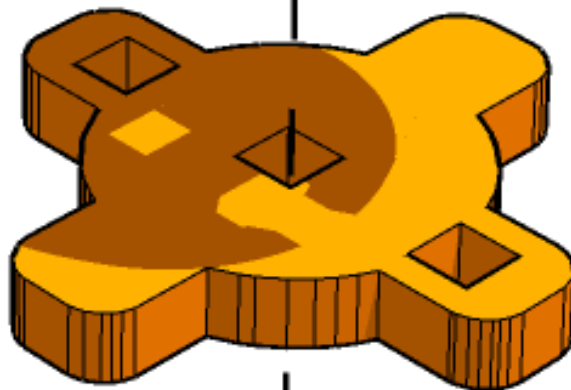
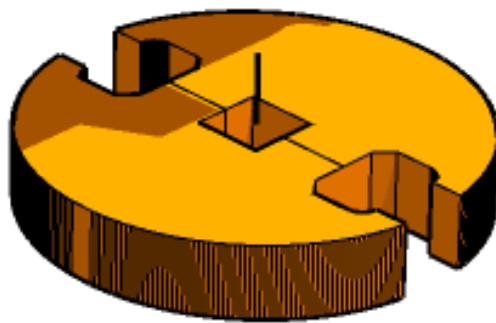
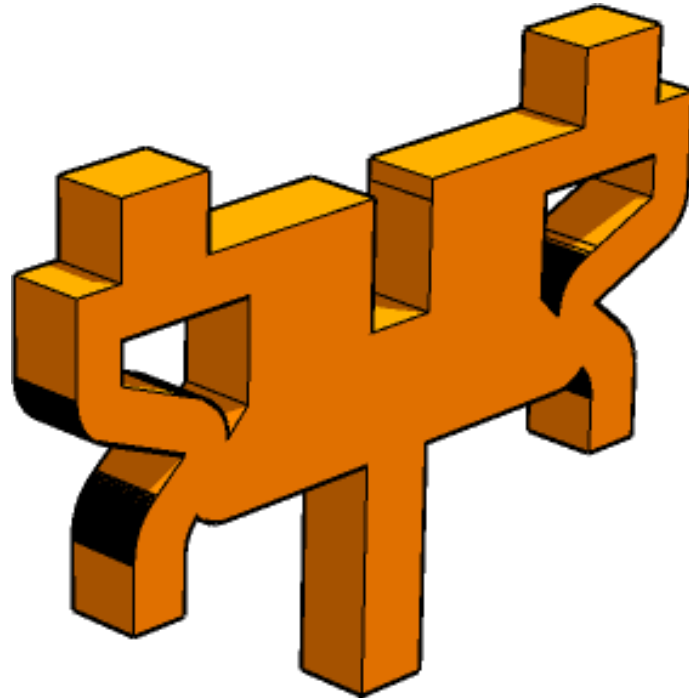




TABLETOP SCENICS

TTSCW-SFU-164
Street Wars:
Surgery

50

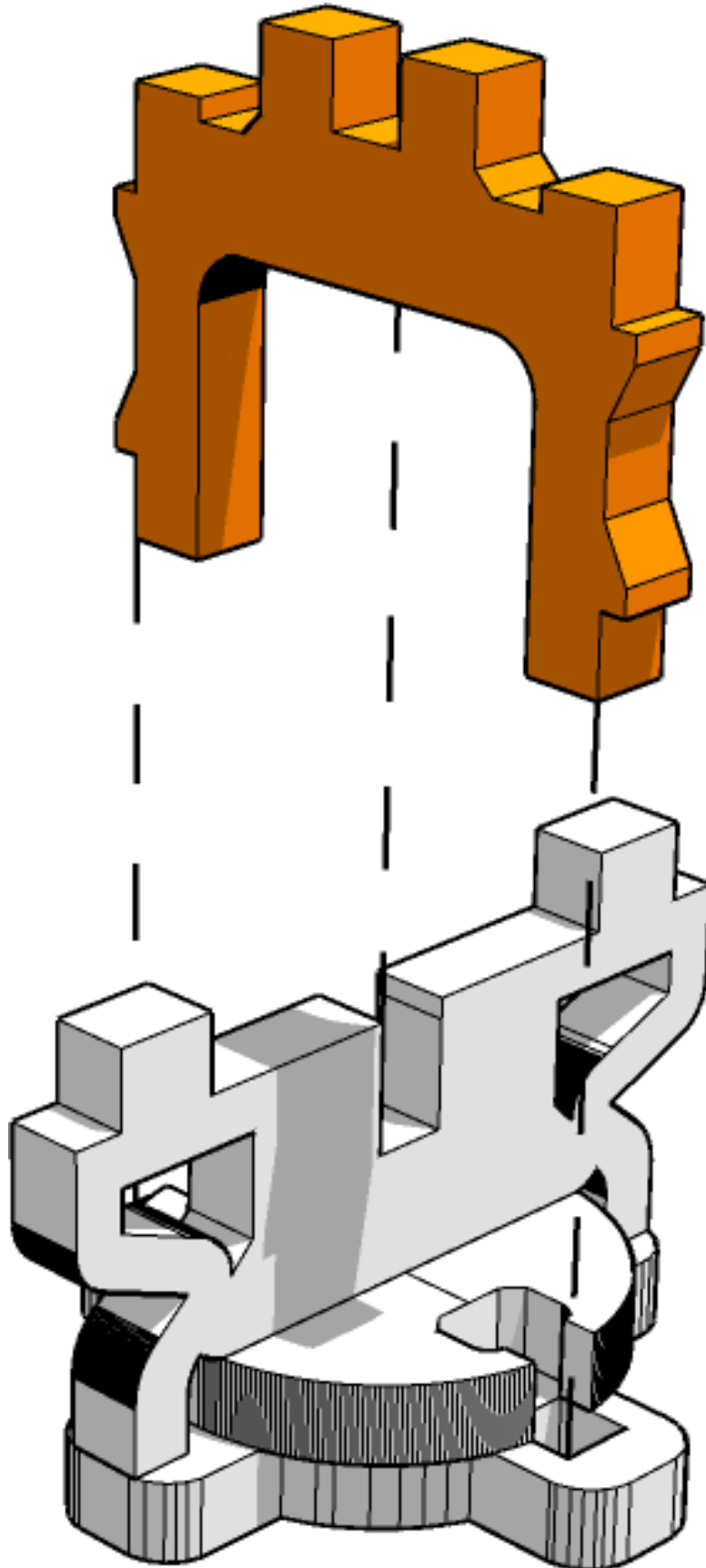




TABLETOP SCENICS

TTSCW-SFU-164
Street Wars:
Surgery

51

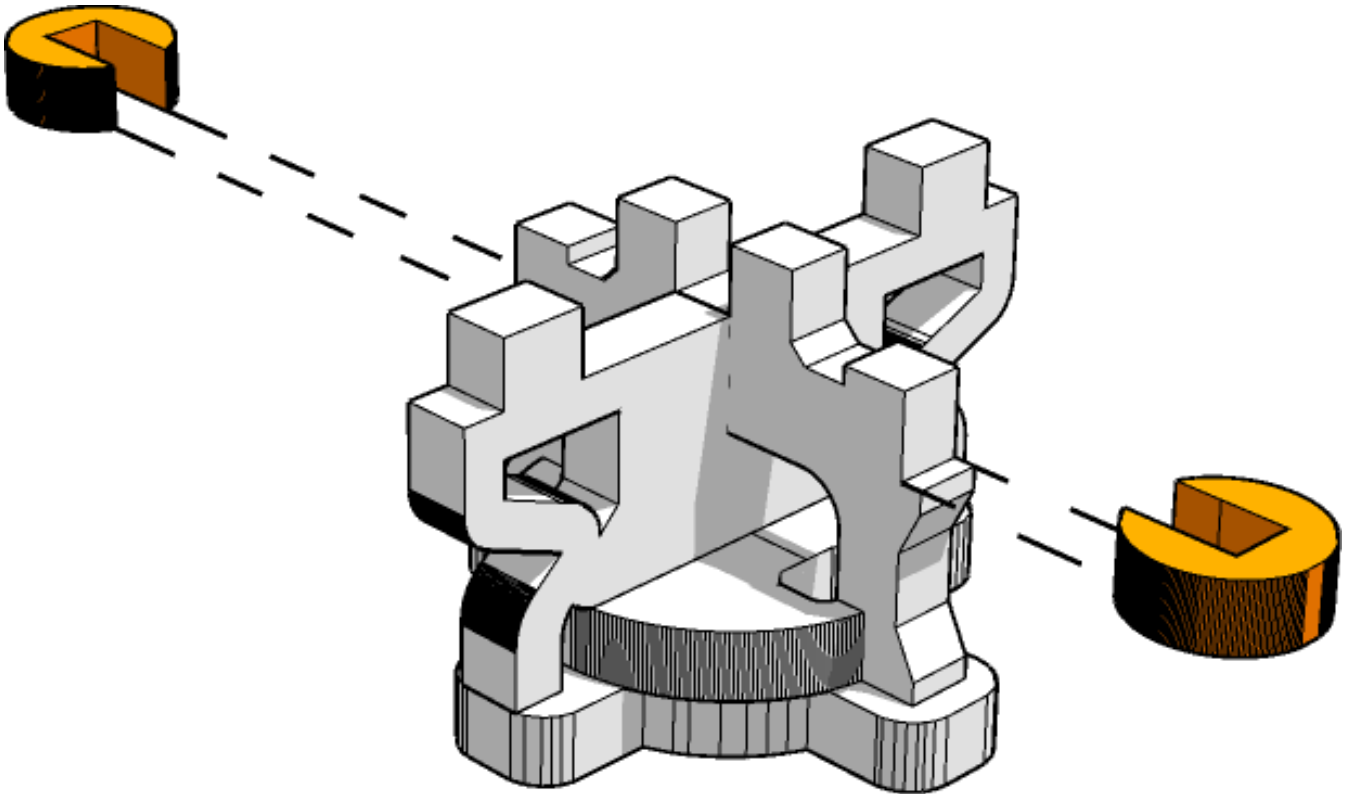




TABLETOP SCENICS

TTSCW-SFU-164
Street Wars:
Surgery

52

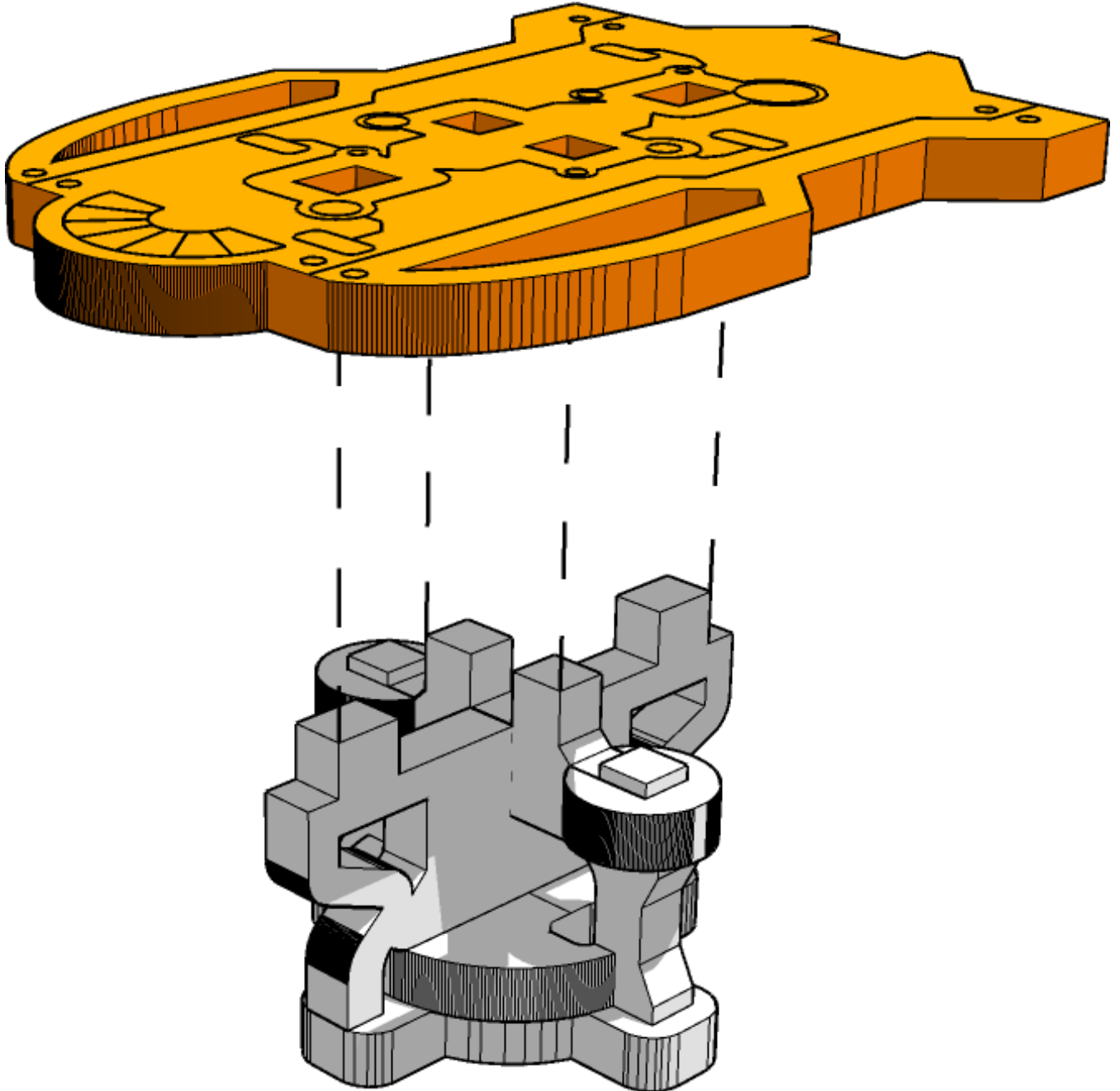




TABLETOP SCENICS

TTSCW-SFU-164
Street Wars:
Surgery

53

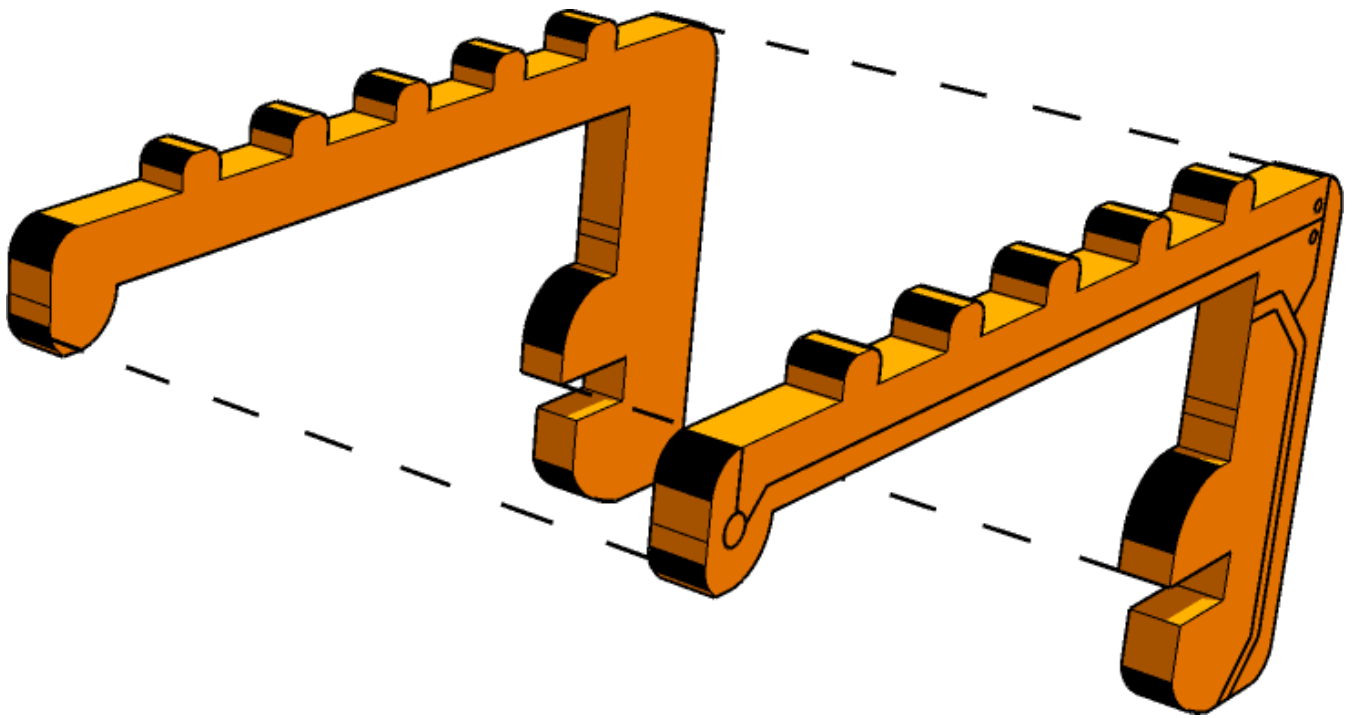




TABLETOP SCENICS

TTSCW-SFU-164
Street Wars:
Surgery

54

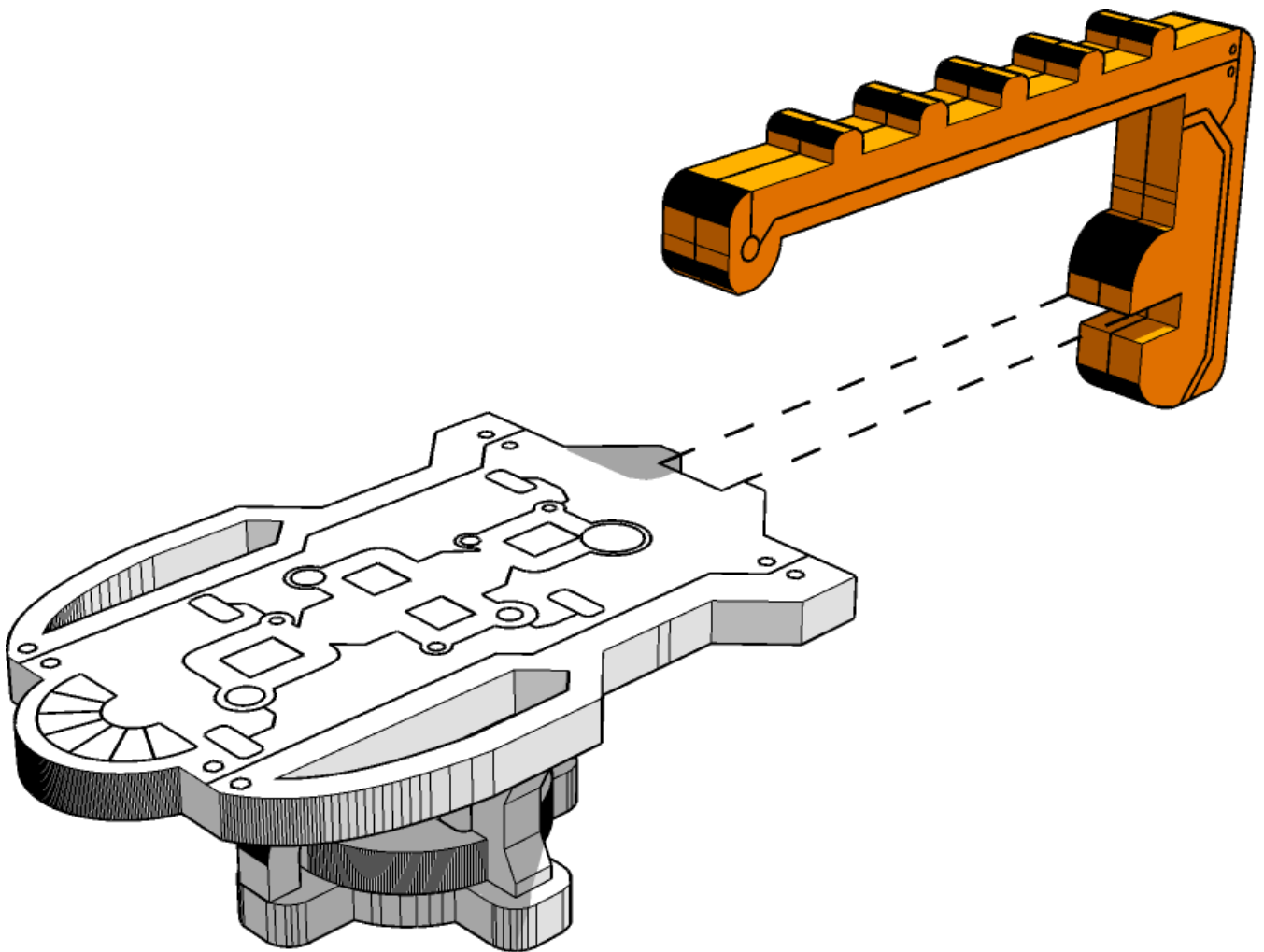




TABLETOP SCENICS

TTSCW-SFU-164
Street Wars:
Surgery

55

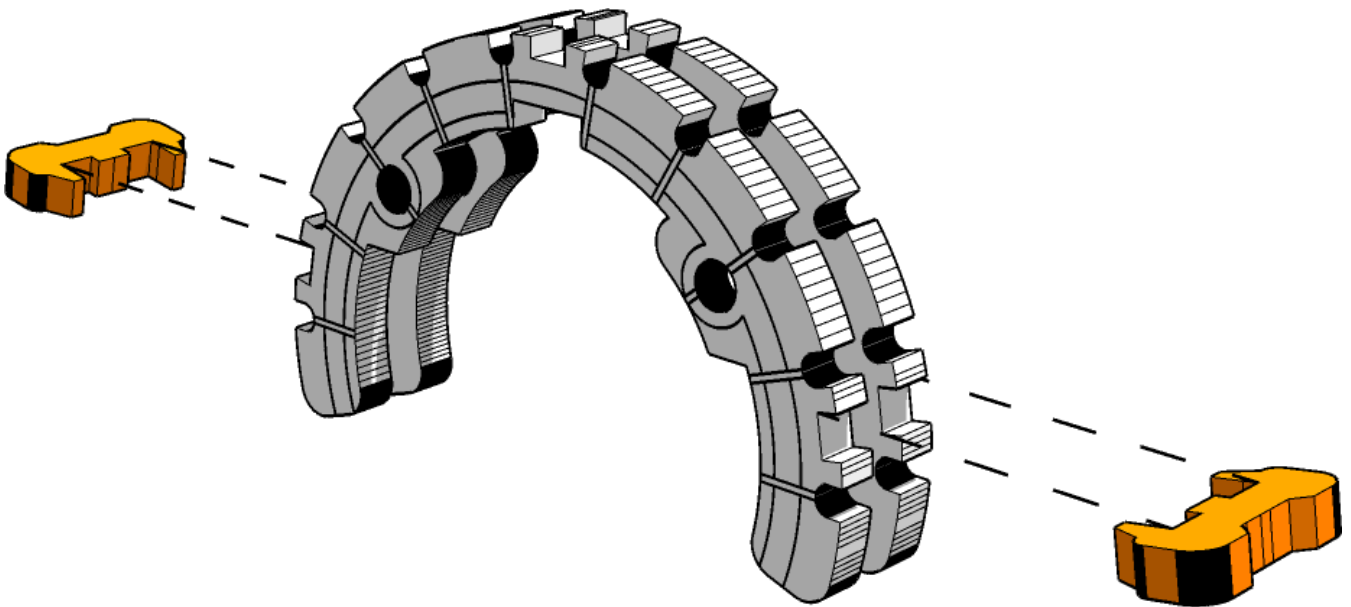




TABLETOP SCENICS

TTSCW-SFU-164
Street Wars:
Surgery

56



Highlighted parts are identical, the white pieces have the detailing facing outwards on both sides

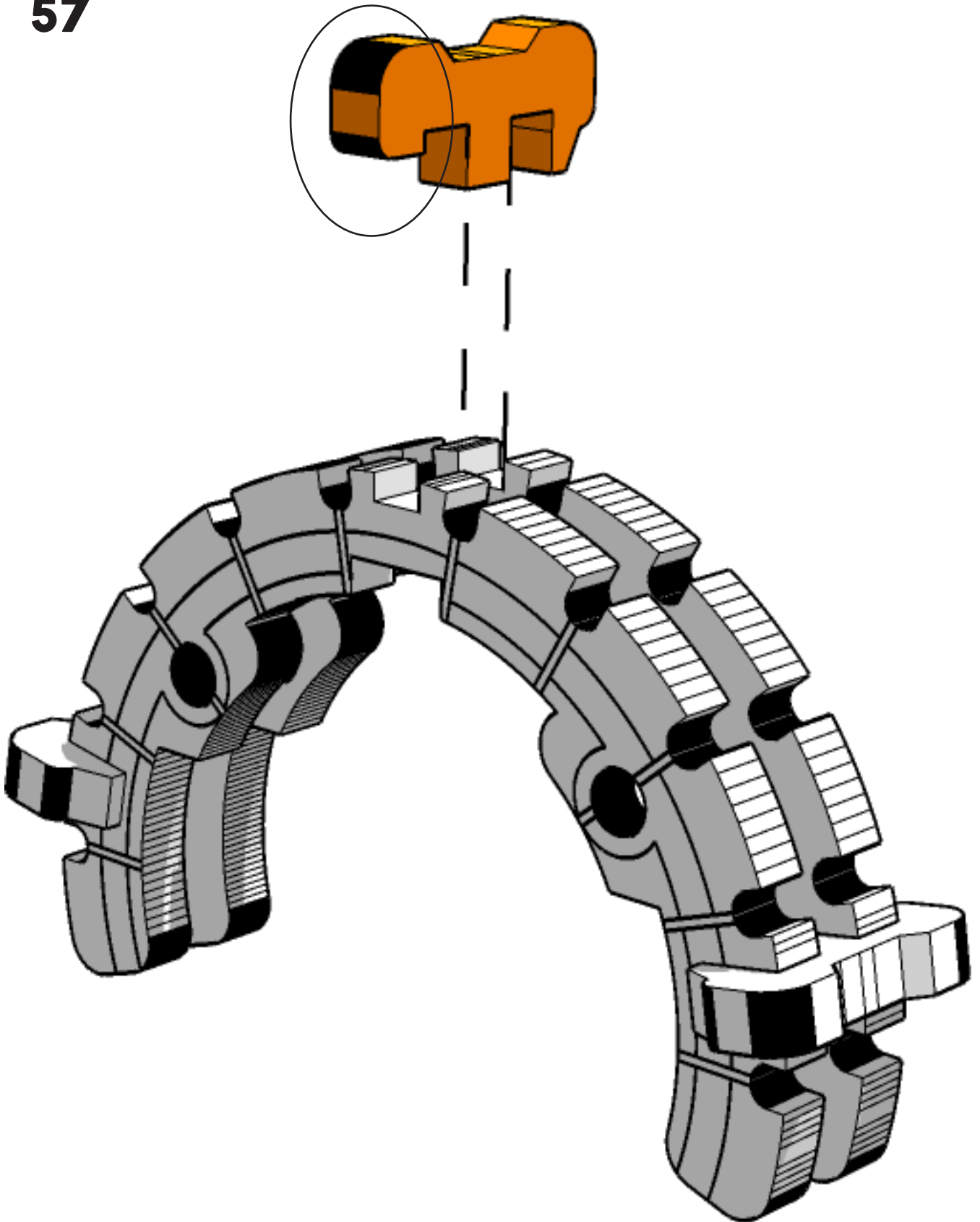




TABLETOP SCENICS

TTSCW-SFU-164
Street Wars:
Surgery

57



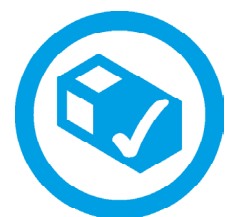
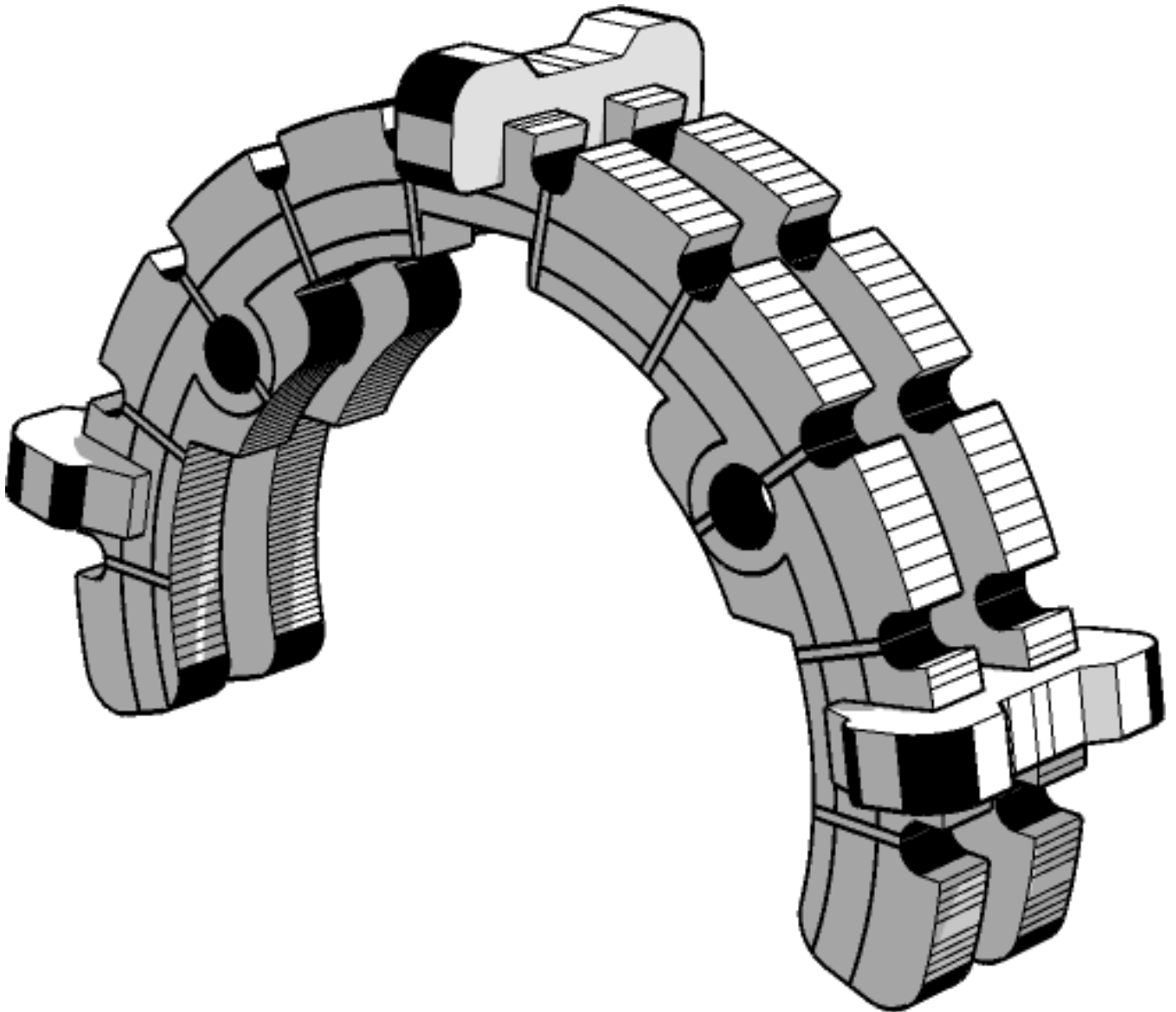
Keep note of this side for step 59



TABLETOP SCENICS

TTSCW-SFU-164
Street Wars:
Surgery

58



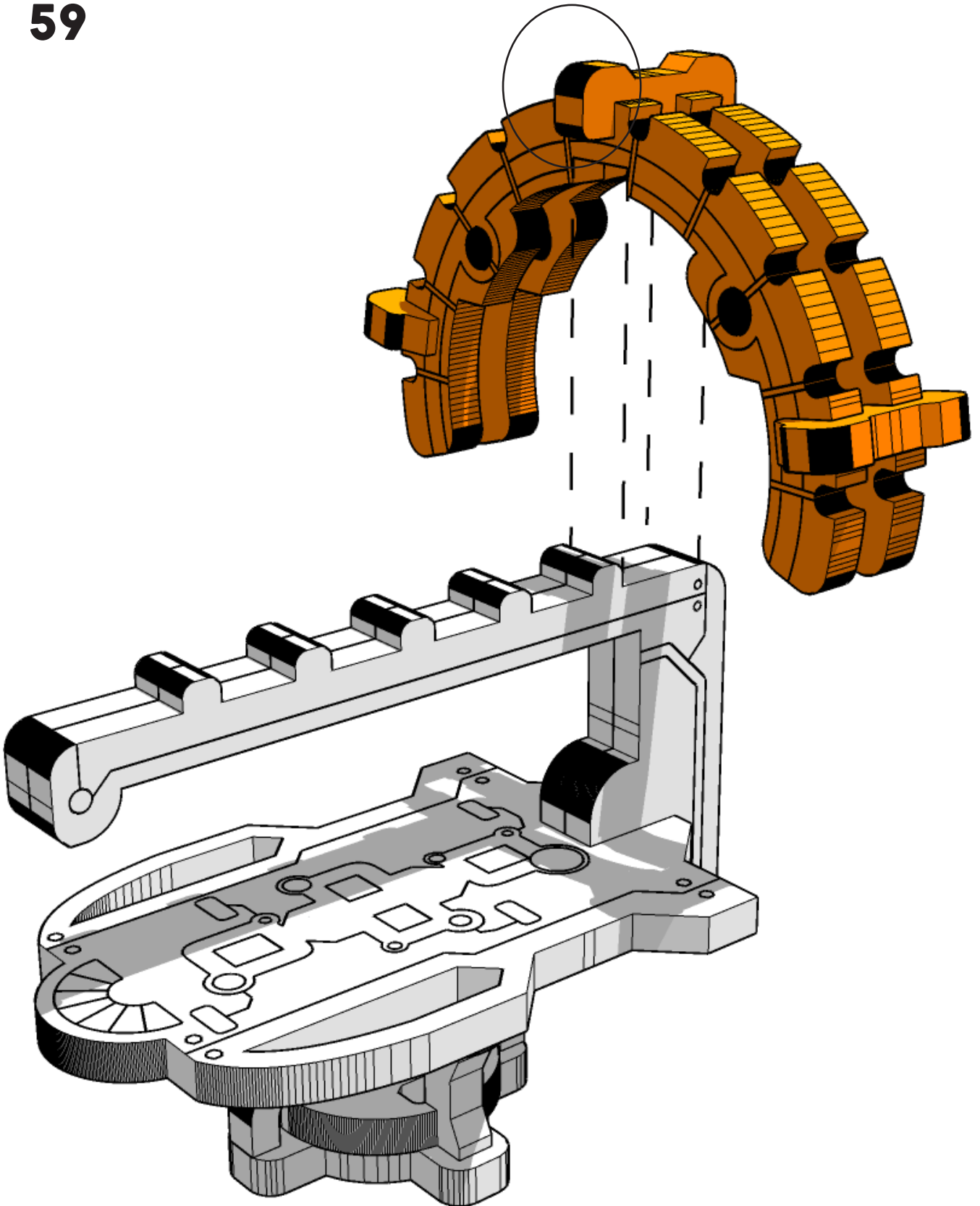
 TCOMBAT



TABLETOP SCENICS

TTSCW-SFU-164
Street Wars:
Surgery

59



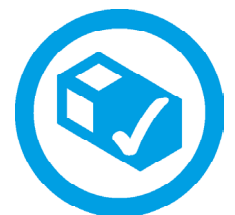
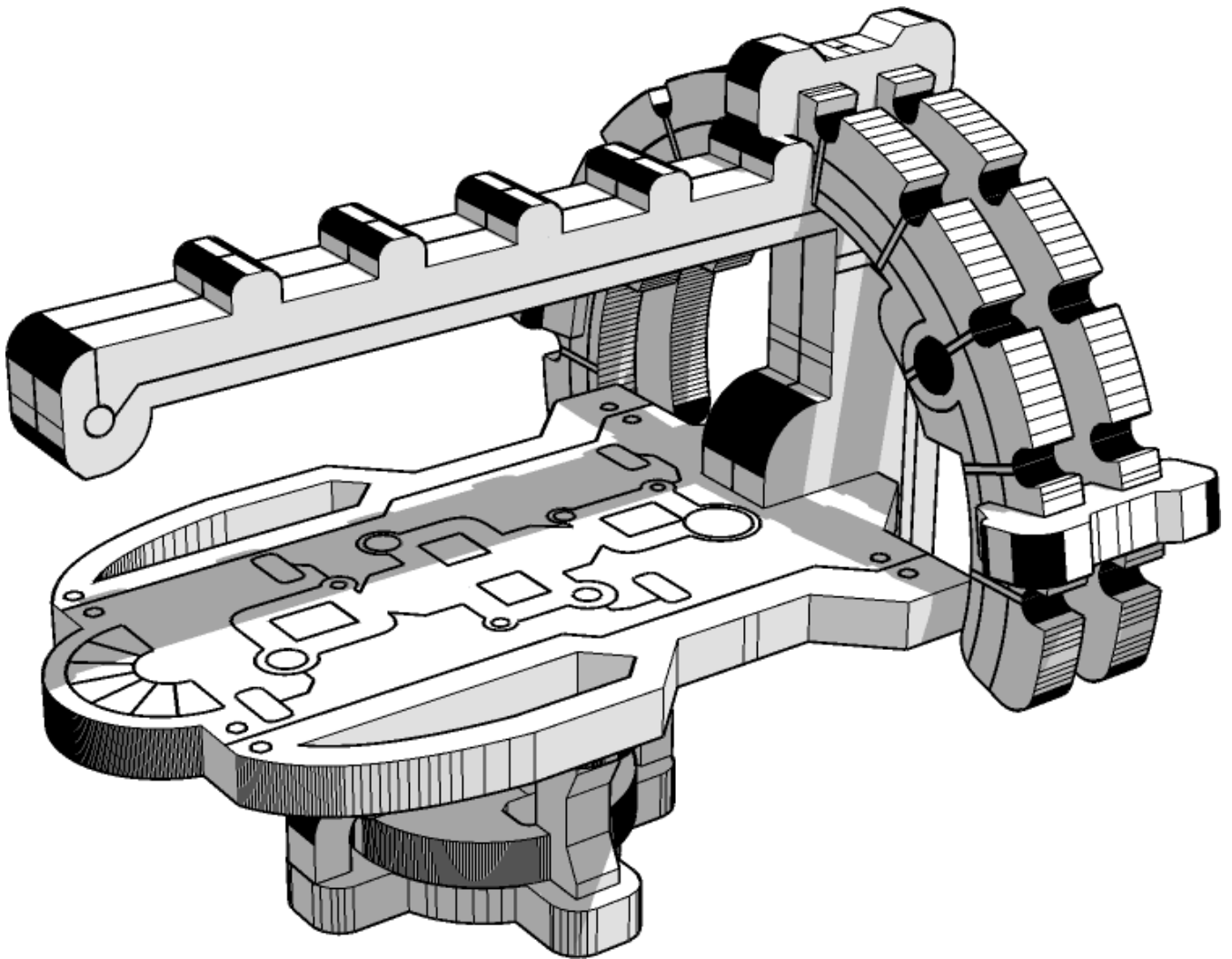
Shorter side must go this side. As
seen step 57



TABLETOP SCENICS

60

TTSCW-SFU-164
Street Wars:
Surgery



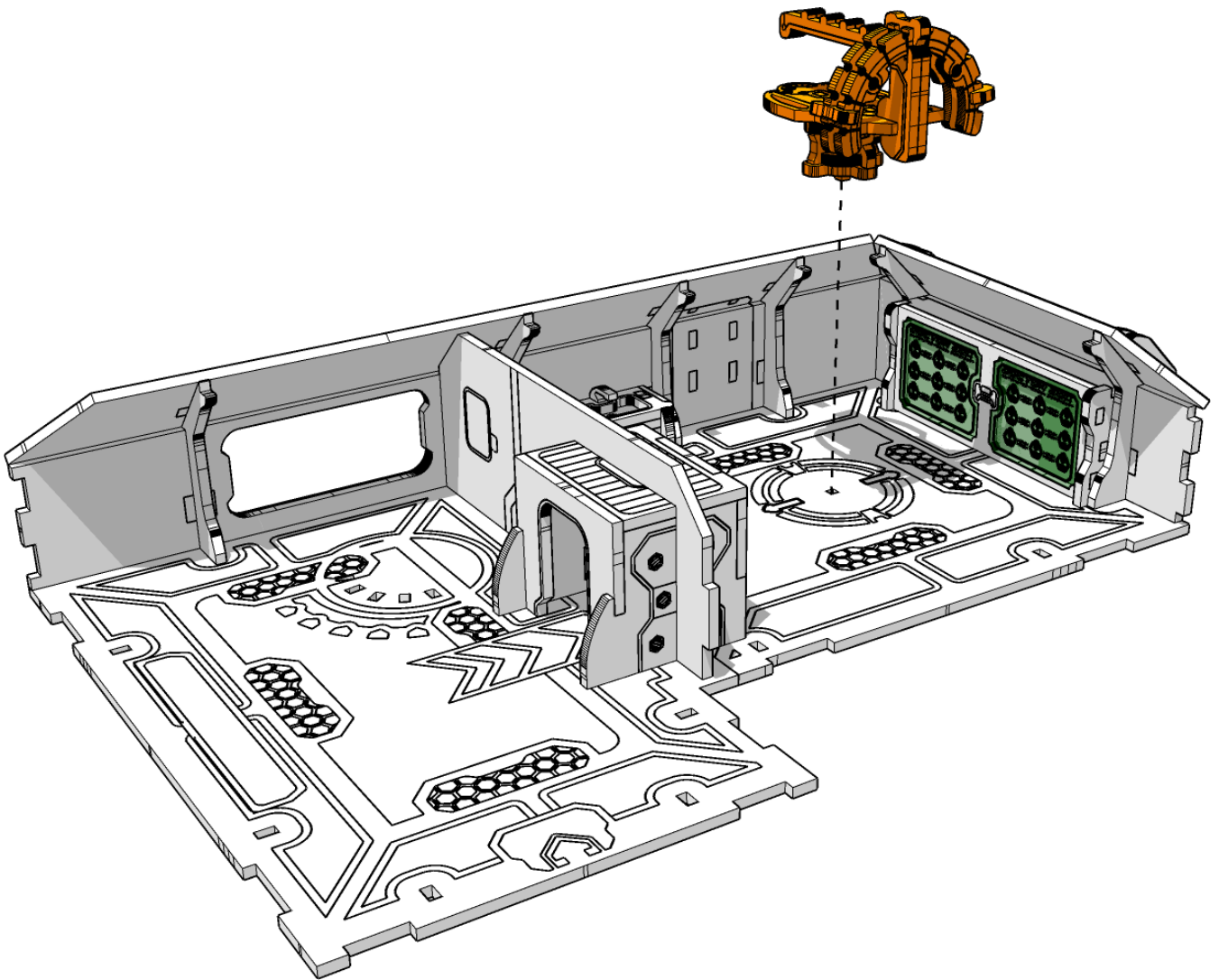
 **TTCOMBAT**



TABLETOP SCENICS

TTSCW-SFU-164
Street Wars:
Surgery

61

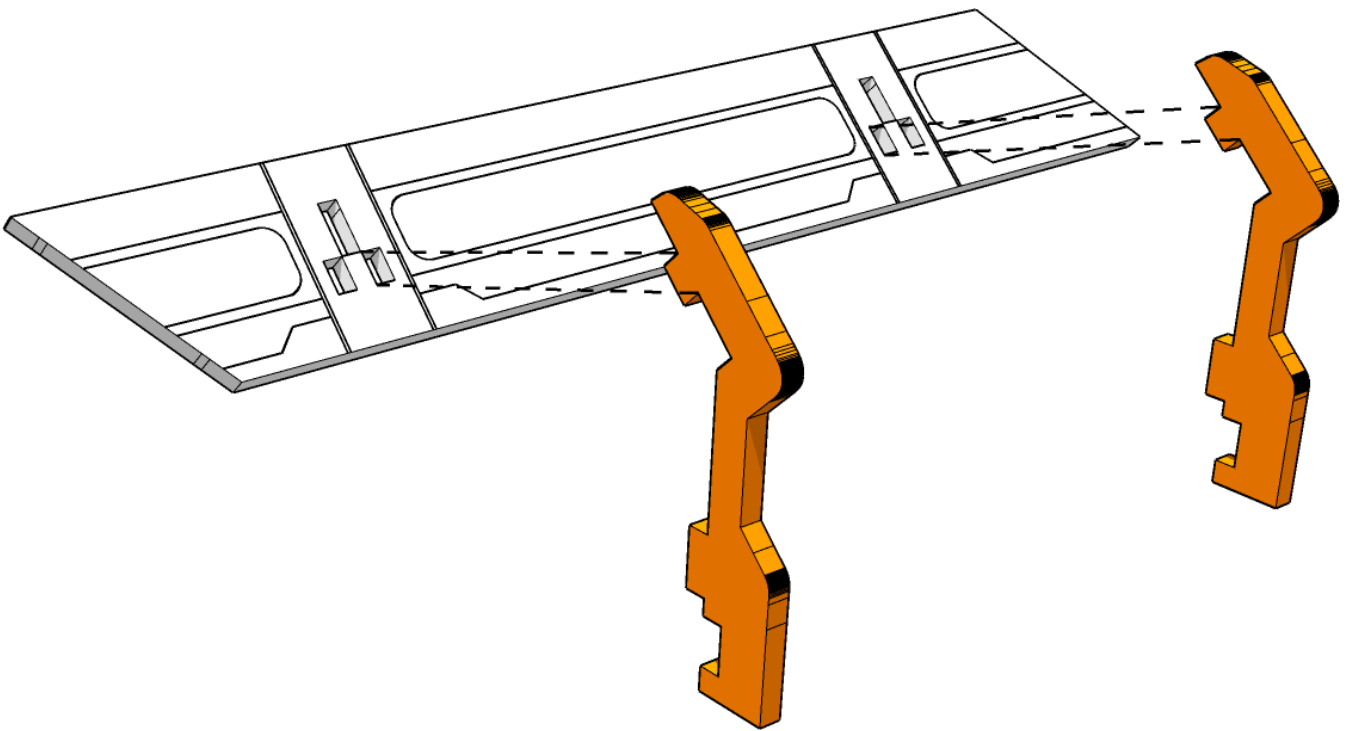




TABLETOP SCENICS

TTSCW-SFU-164
Street Wars:
Surgery

62

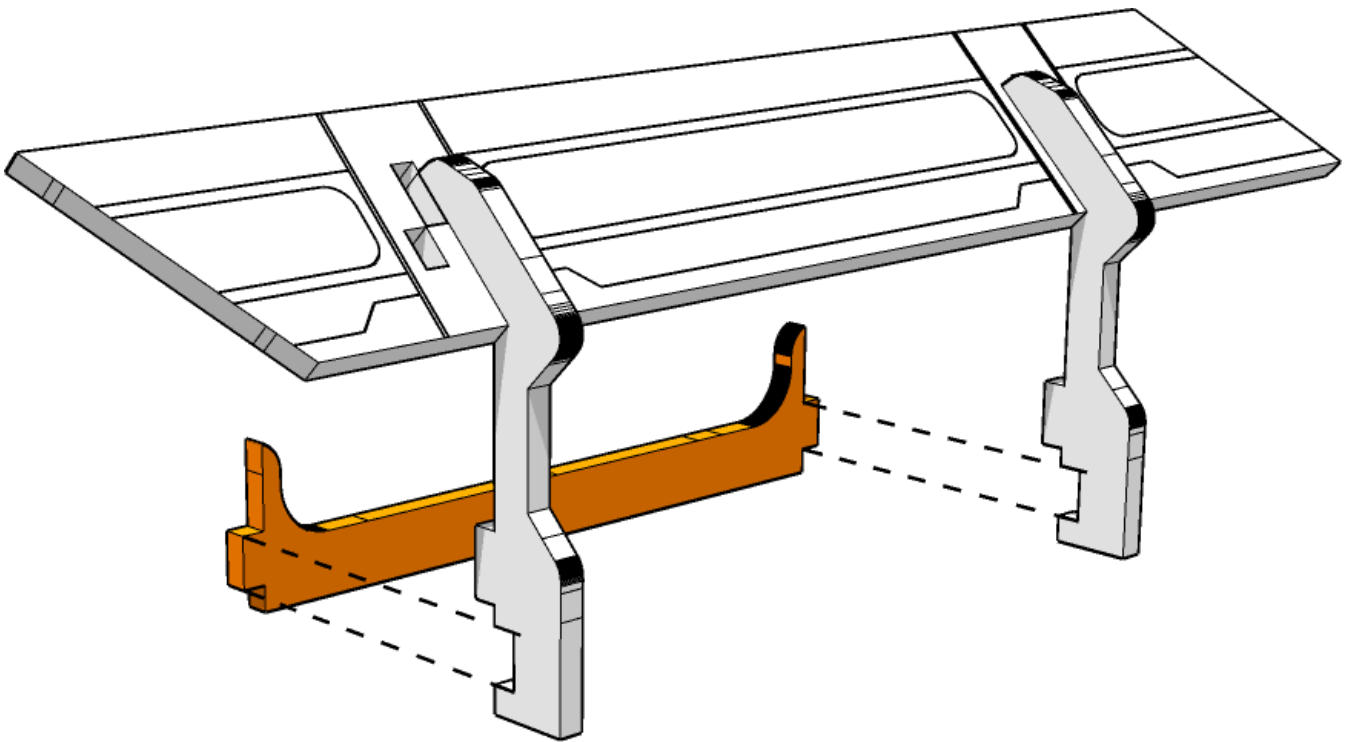




TABLETOP SCENICS

TTSCW-SFU-164
Street Wars:
Surgery

63

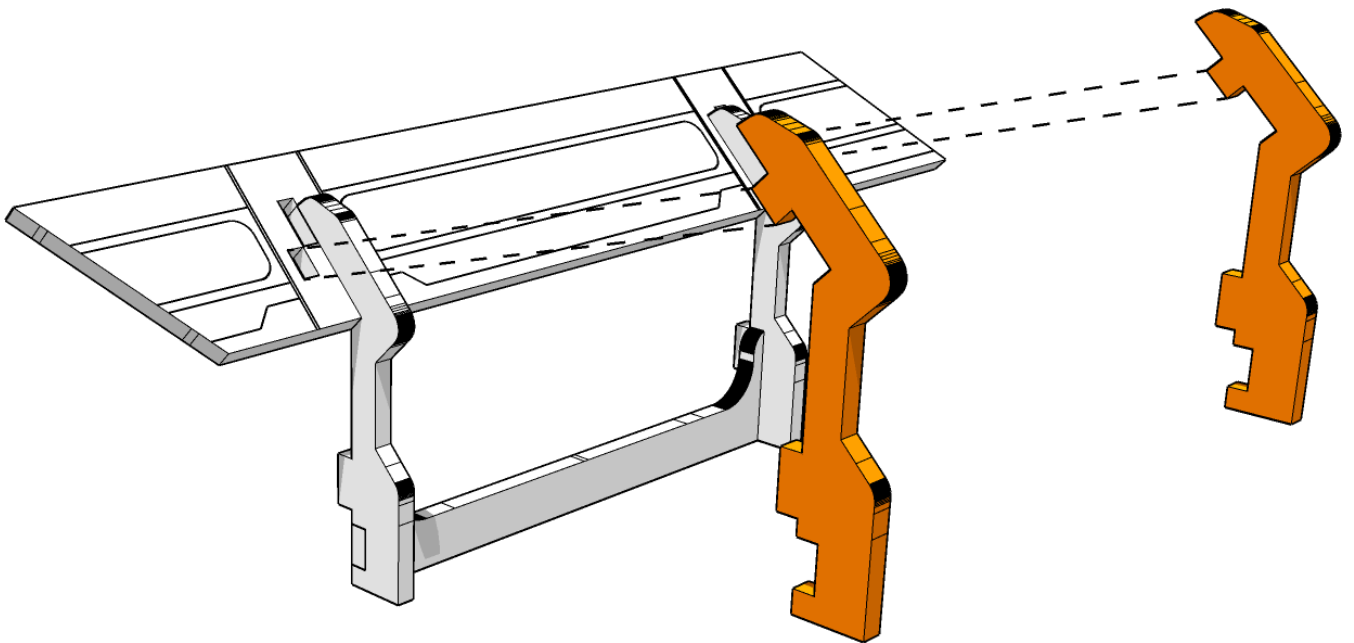




TABLETOP SCENICS

TTSCW-SFU-164
Street Wars:
Surgery

64

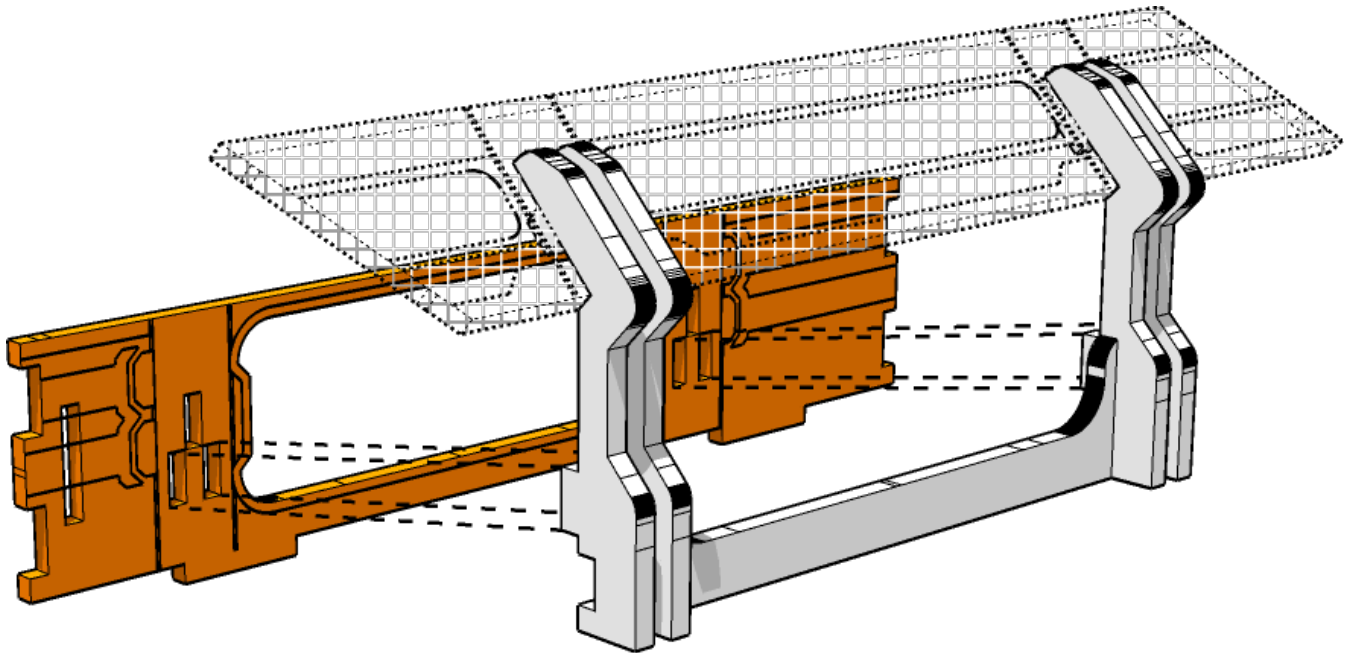




TABLETOP SCENICS

TTSCW-SFU-164
Street Wars:
Surgery

65

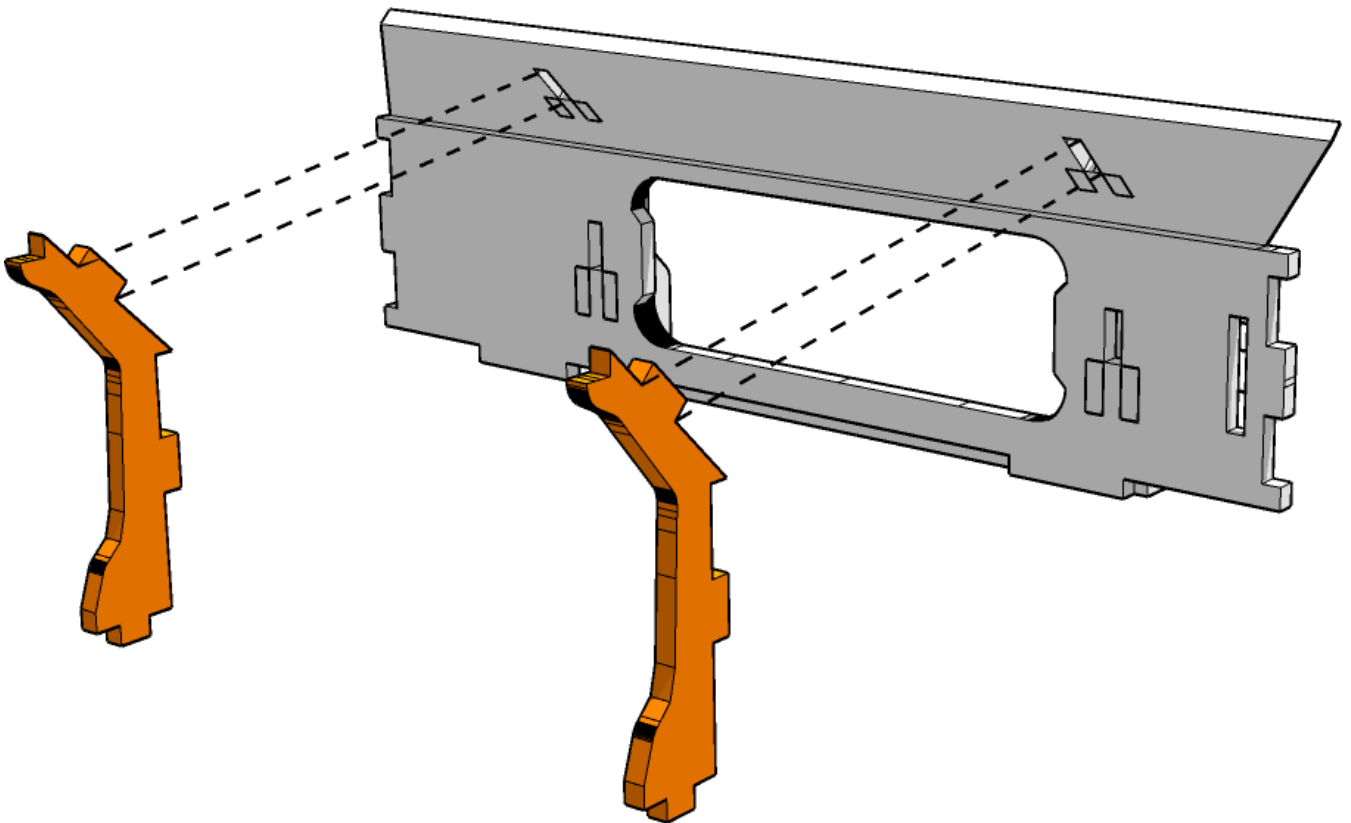




TABLETOP SCENICS

TTSCW-SFU-164
Street Wars:
Surgery

66



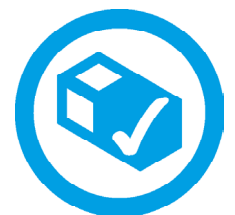
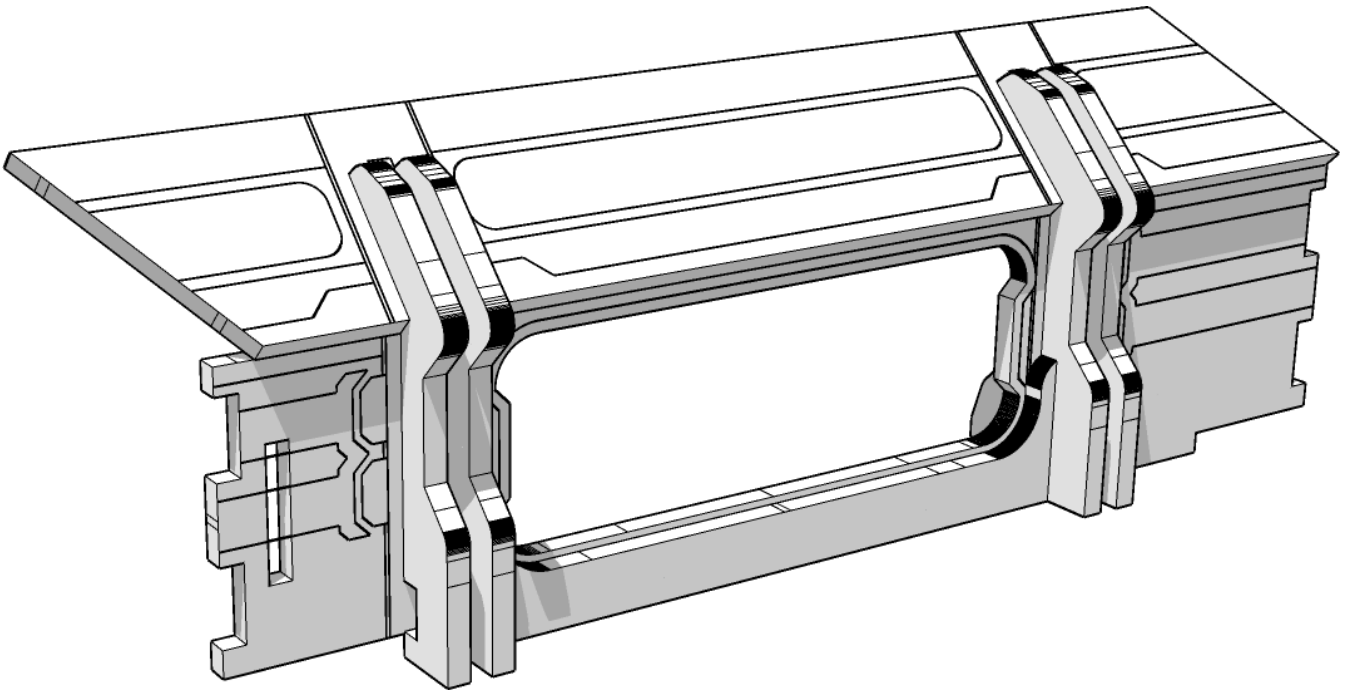
Position the top tab of the highlighted part, into the upper wall section first. You can then gently press fit the bottom tab into the lower wall



TABLETOP SCENICS

TTSCW-SFU-164
Street Wars:
Surgery

67



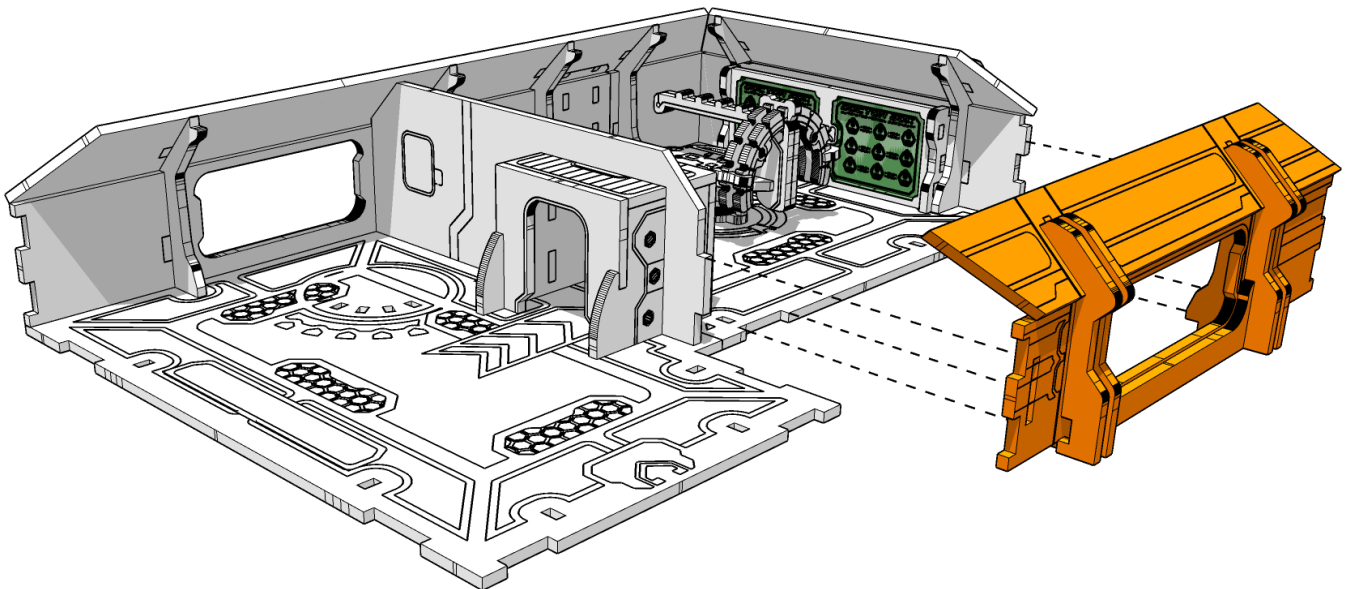
 **TTCOMBAT**



TABLETOP SCENICS

TTSCW-SFU-164
Street Wars:
Surgery

68



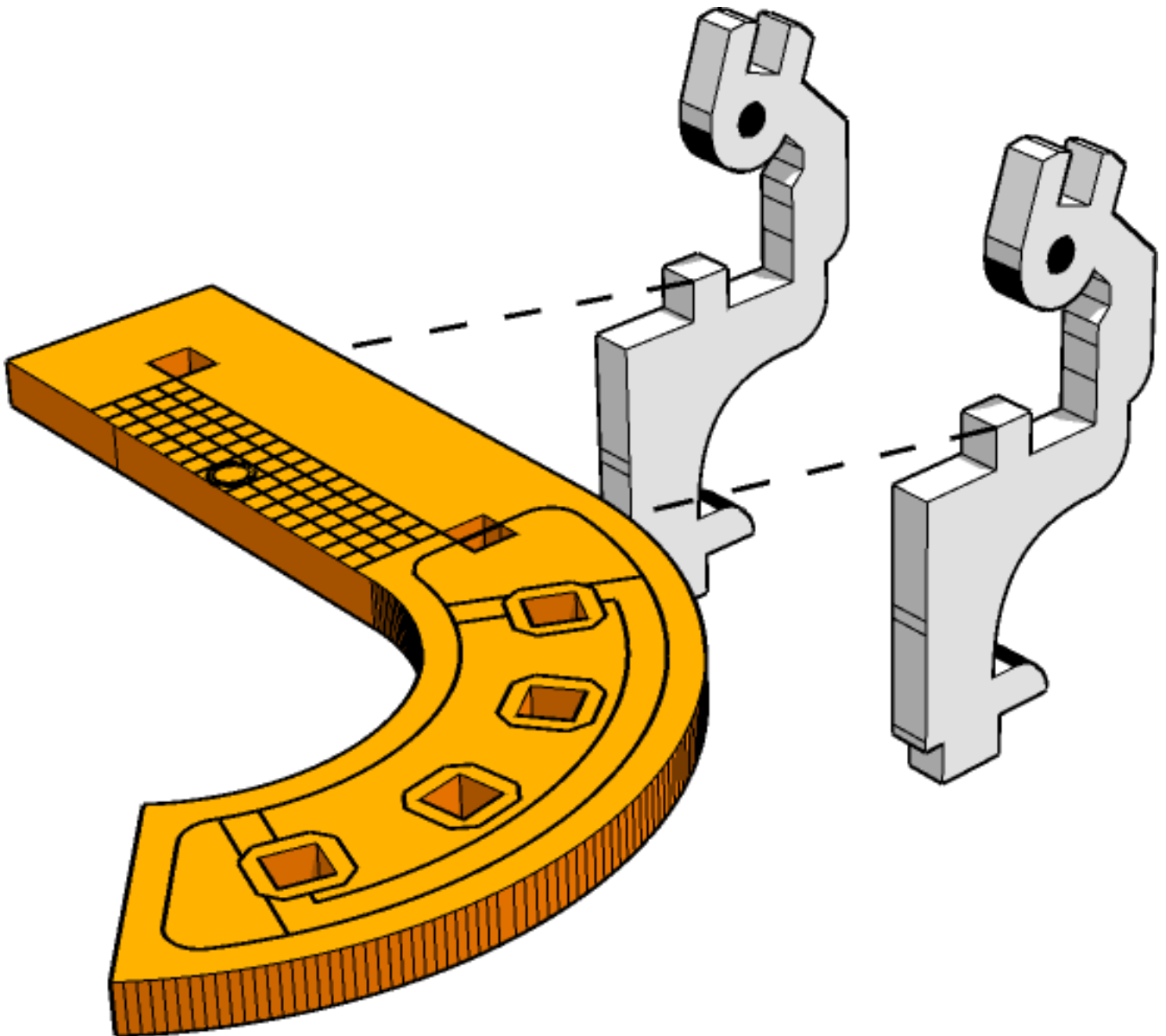
Slot wall in at an angle first and then twist into place. Like previous steps



TABLETOP SCENICS

TTSCW-SFU-164
Street Wars:
Surgery

69

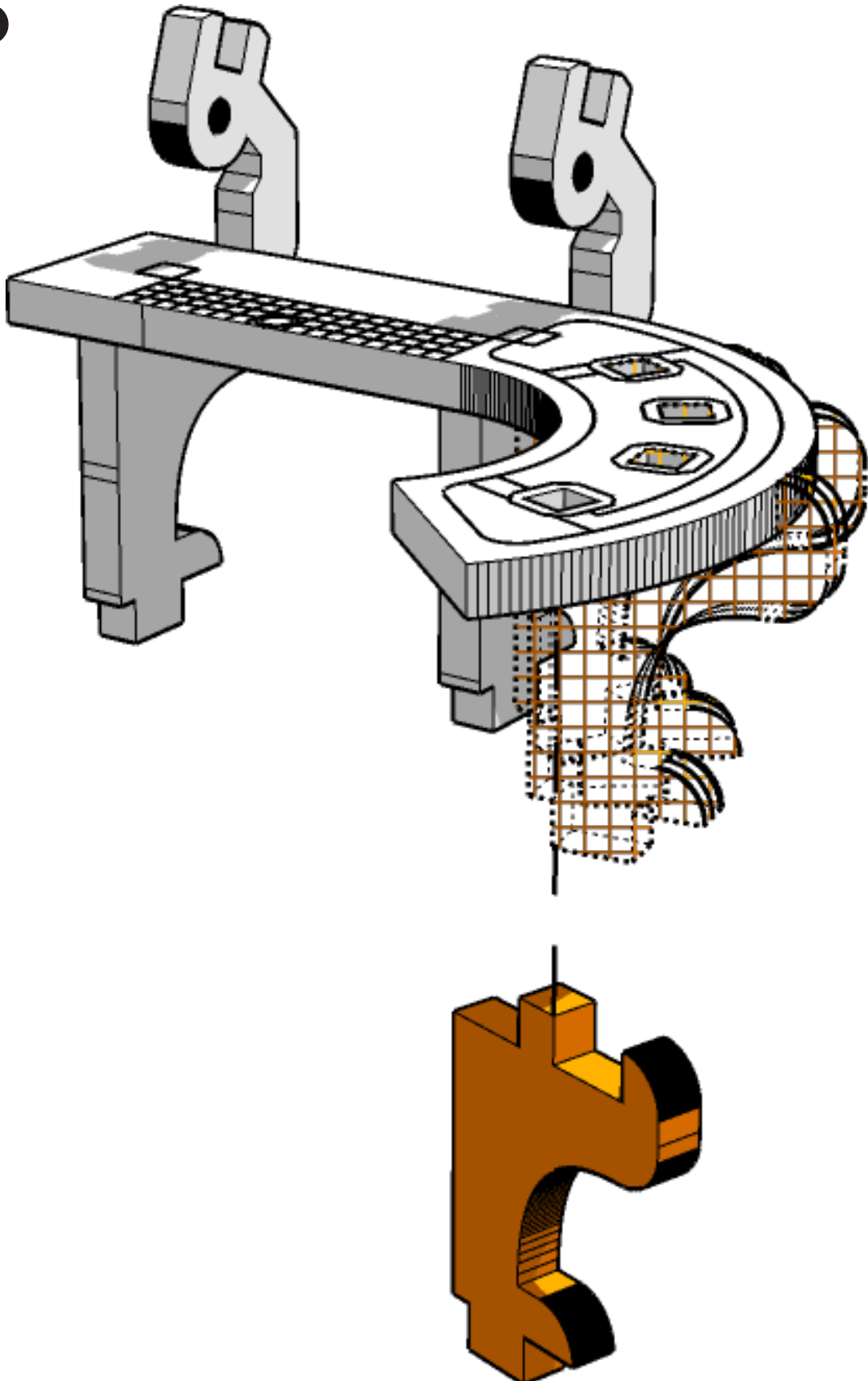




TABLETOP SCENICS

TTSCW-SFU-164
Street Wars:
Surgery

70



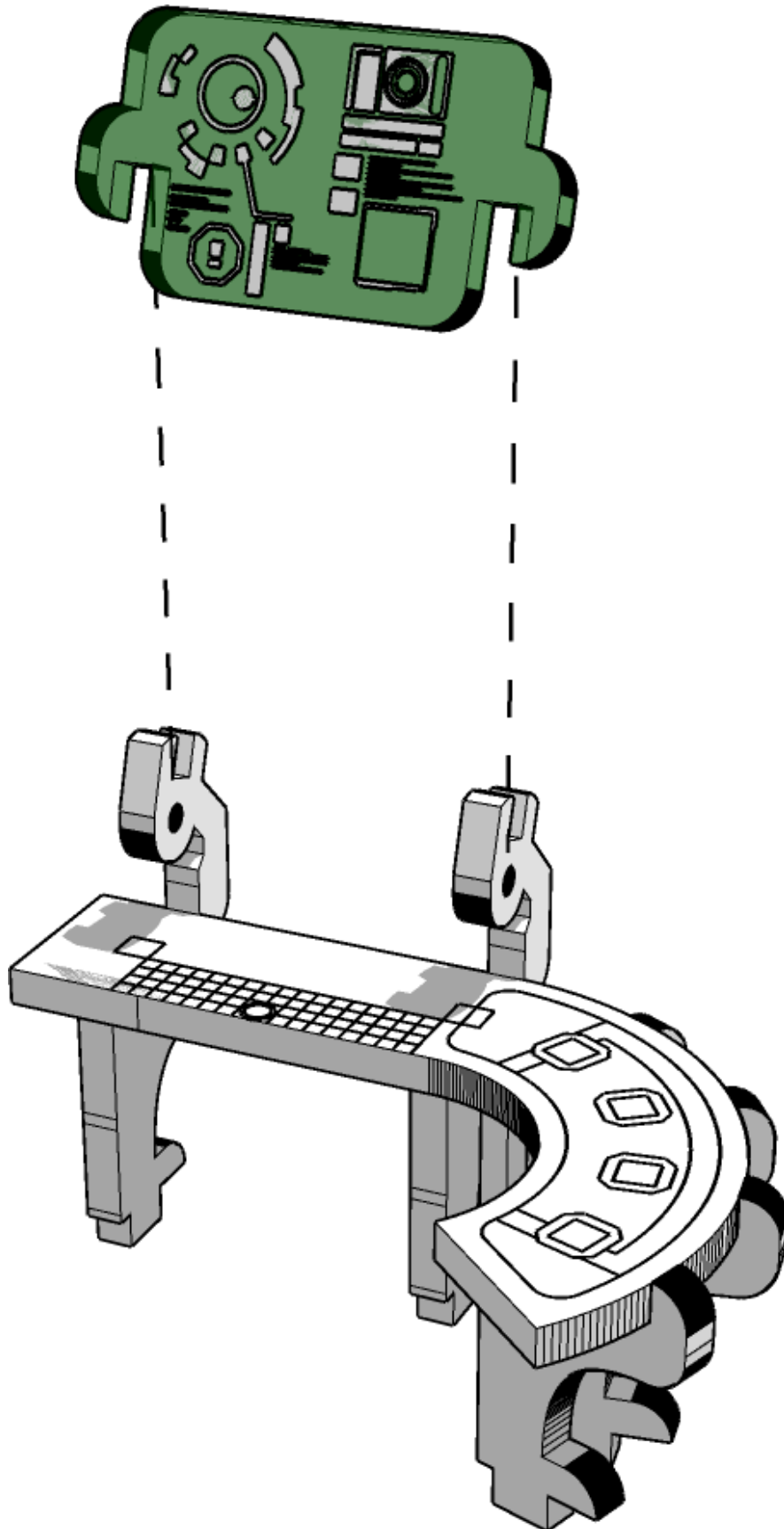
Repeat step in remaining slots



TABLETOP SCENICS

TTSCW-SFU-164
Street Wars:
Surgery

71

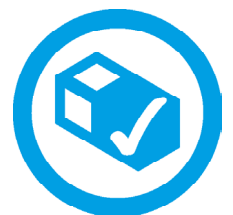
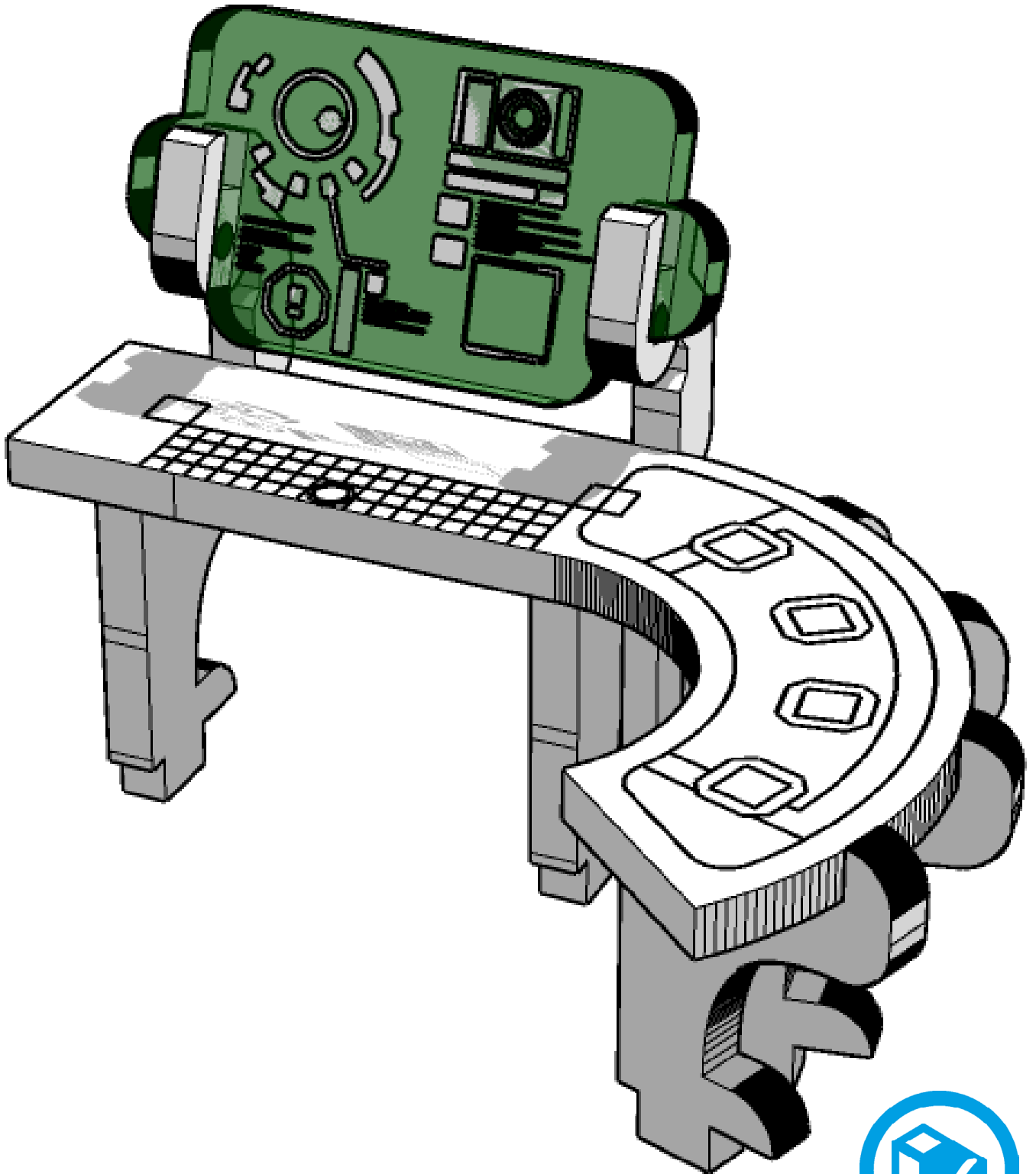




TABLETOP SCENICS

TTSCW-SFU-164
Street Wars:
Surgery

72



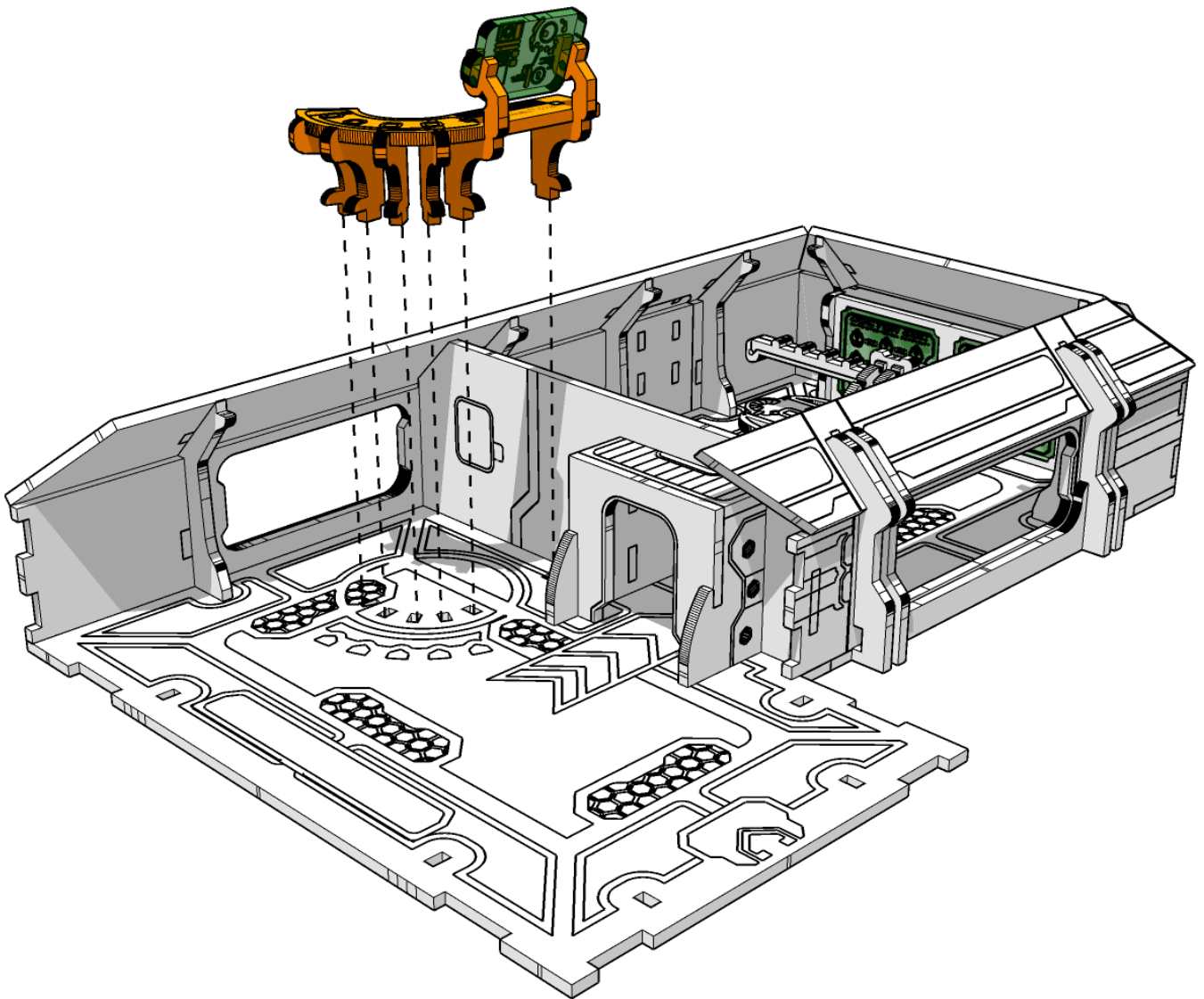
 TTCOMBAT



TABLETOP SCENICS

TTSCW-SFU-164
Street Wars:
Surgery

73

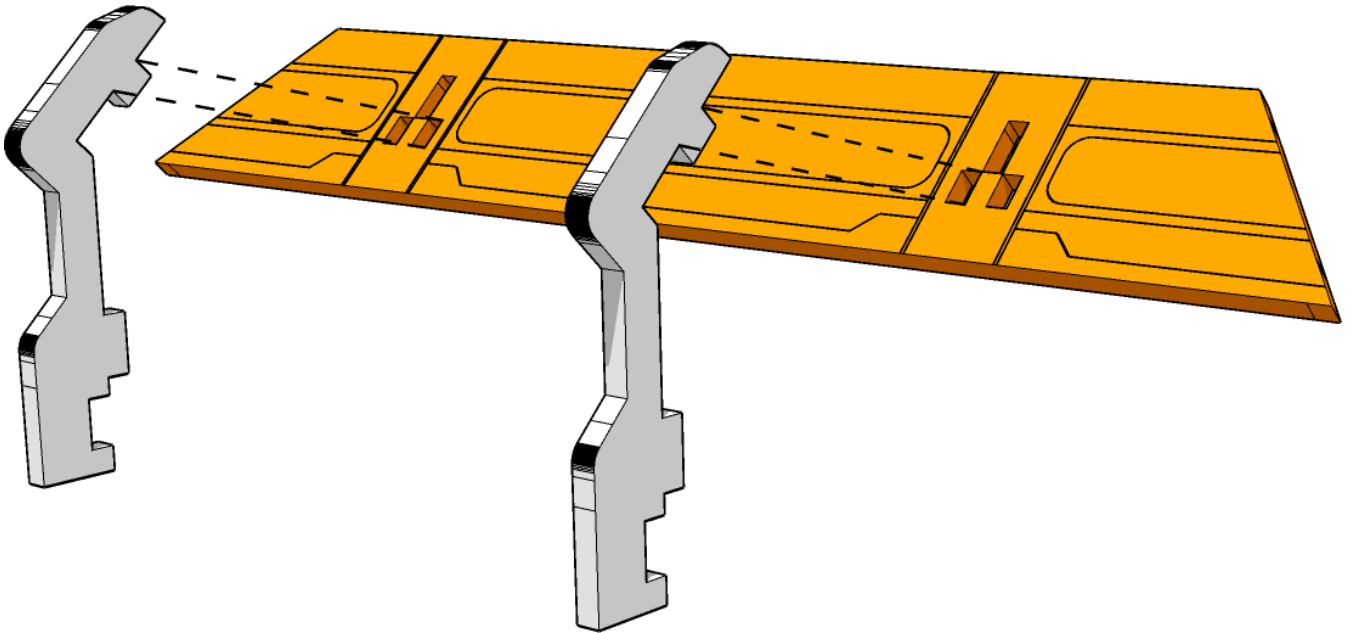




TABLETOP SCENICS

TTSCW-SFU-164
Street Wars:
Surgery

74

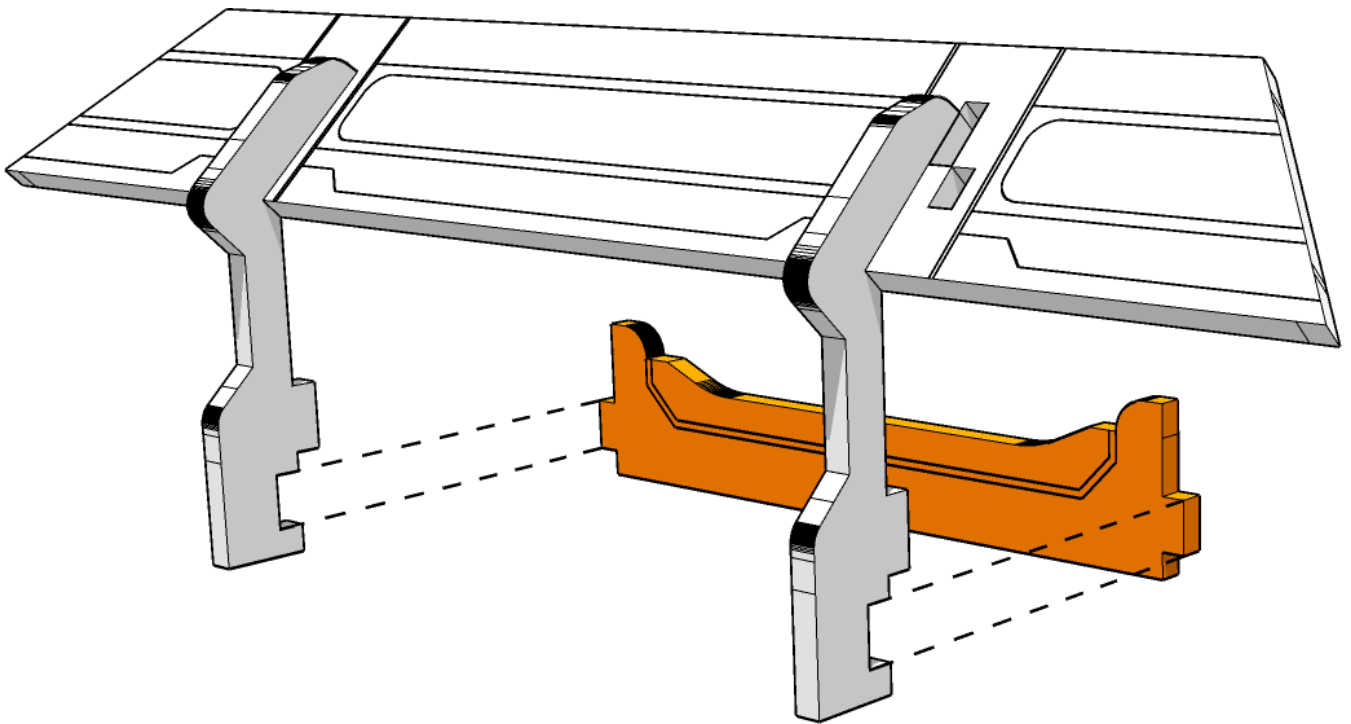




TABLETOP SCENICS

TTSCW-SFU-164
Street Wars:
Surgery

75

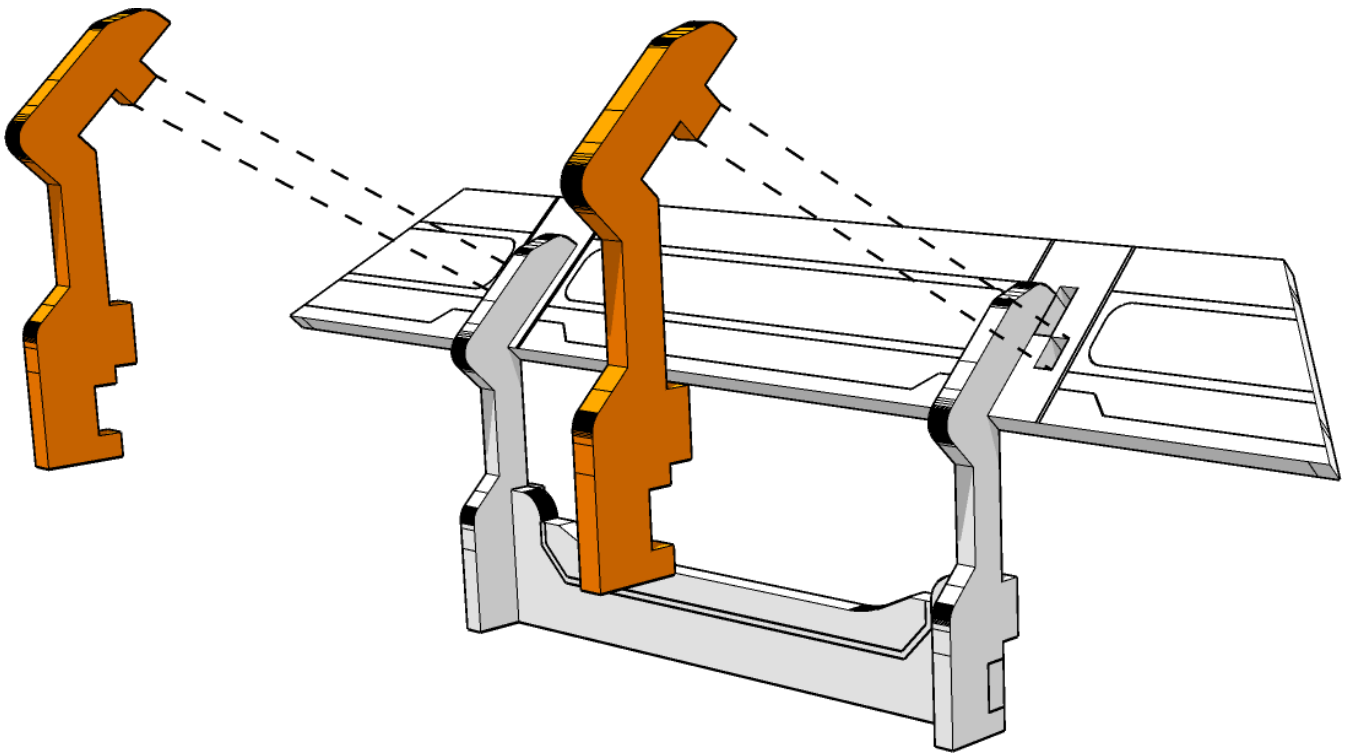




TABLETOP SCENICS

TTSCW-SFU-164
Street Wars:
Surgery

76

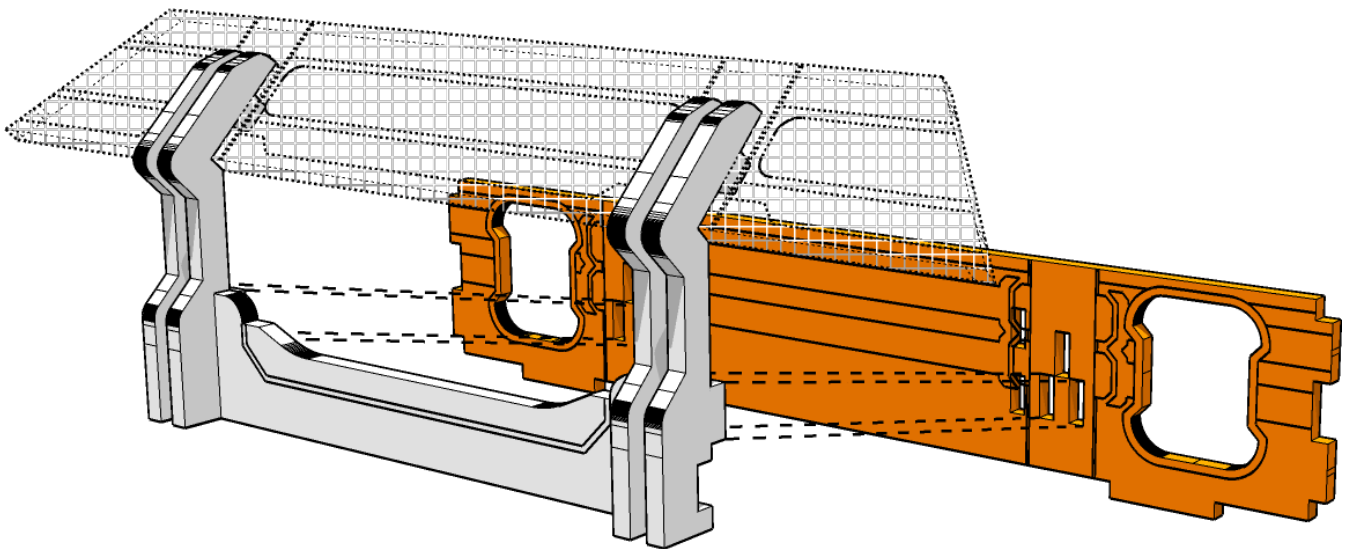




TABLETOP SCENICS

TTSCW-SFU-164
Street Wars:
Surgery

77

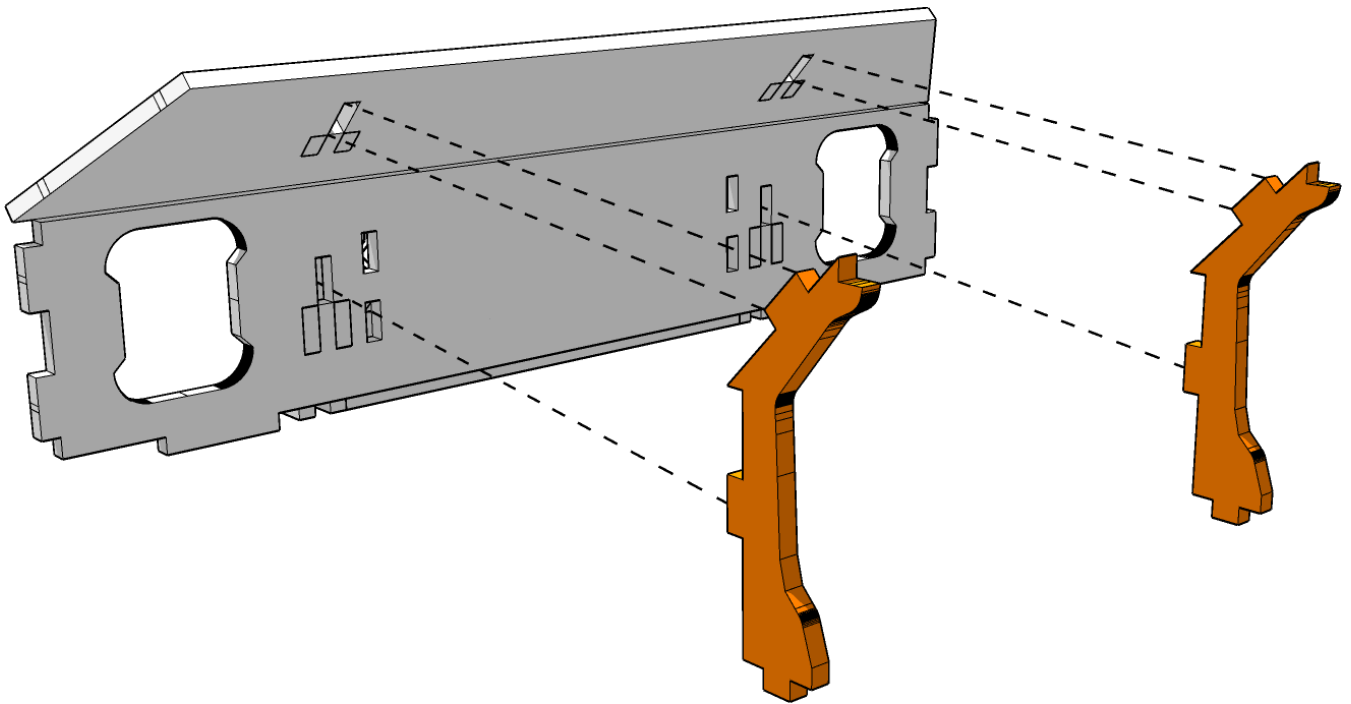




TABLETOP SCENICS

TTSCW-SFU-164
Street Wars:
Surgery

78

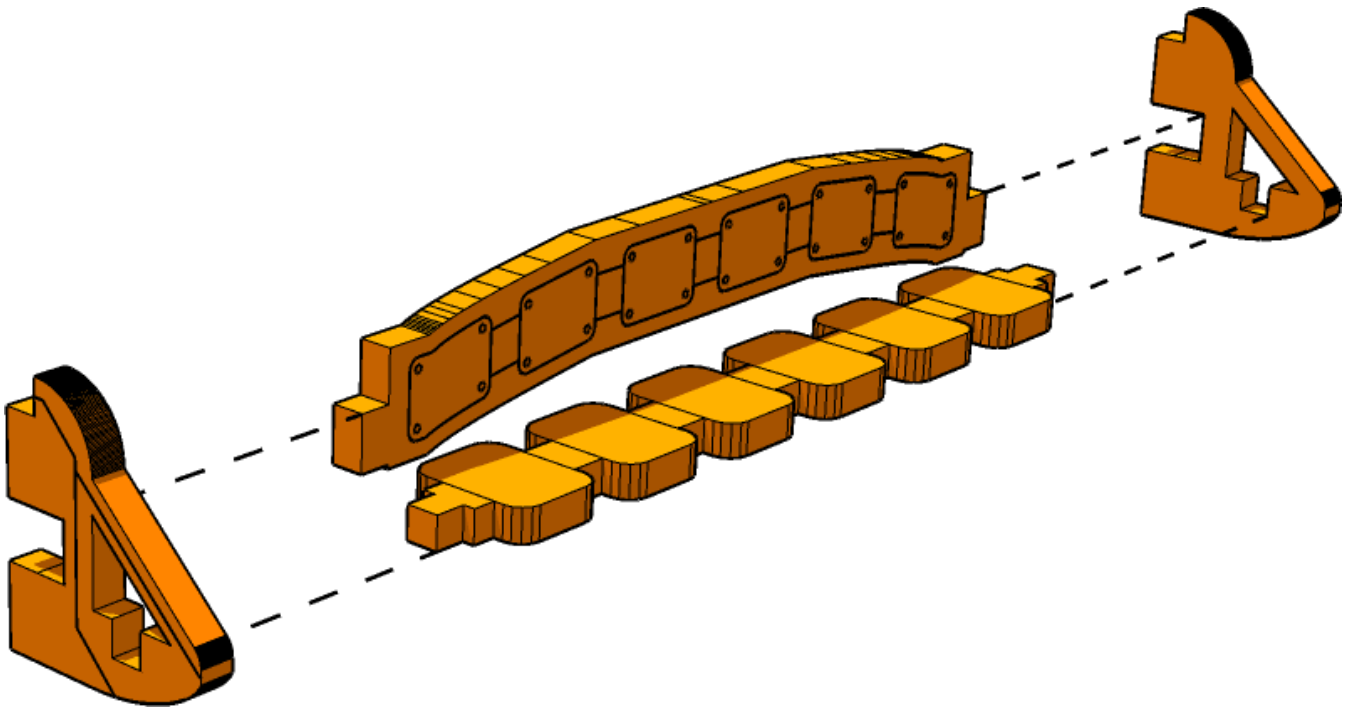




TABLETOP SCENICS

TTSCW-SFU-164
Street Wars:
Surgery

79

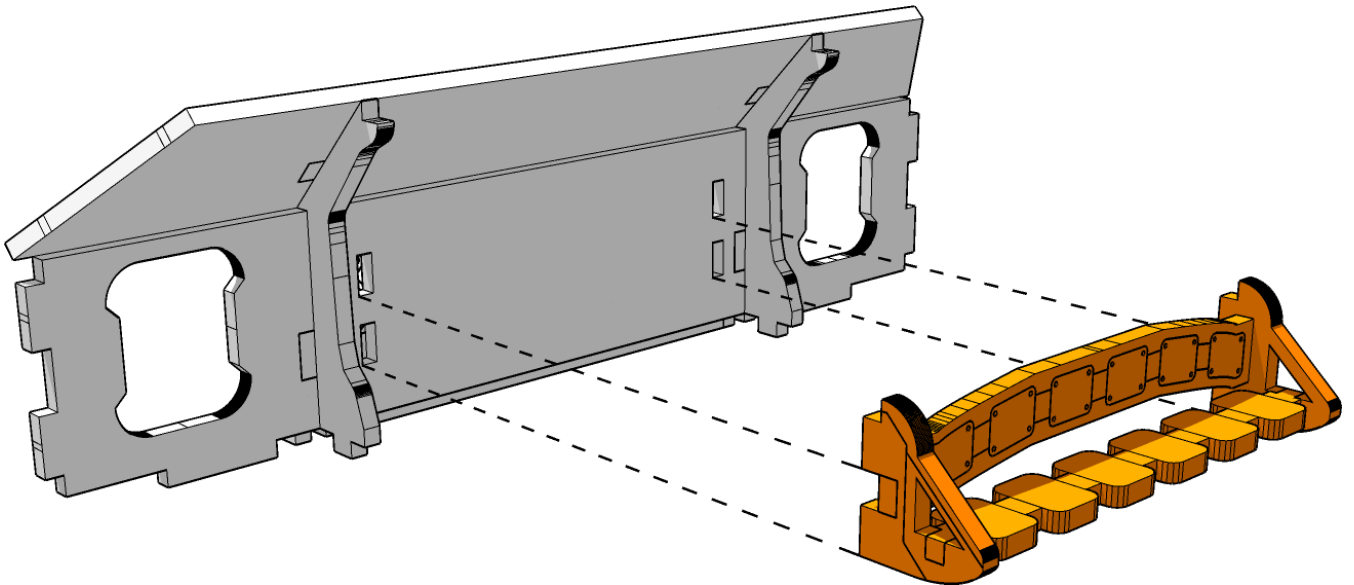




TABLETOP SCENICS

TTSCW-SFU-164
Street Wars:
Surgery

80

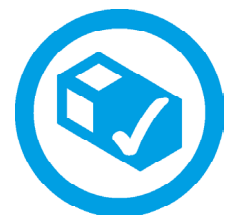
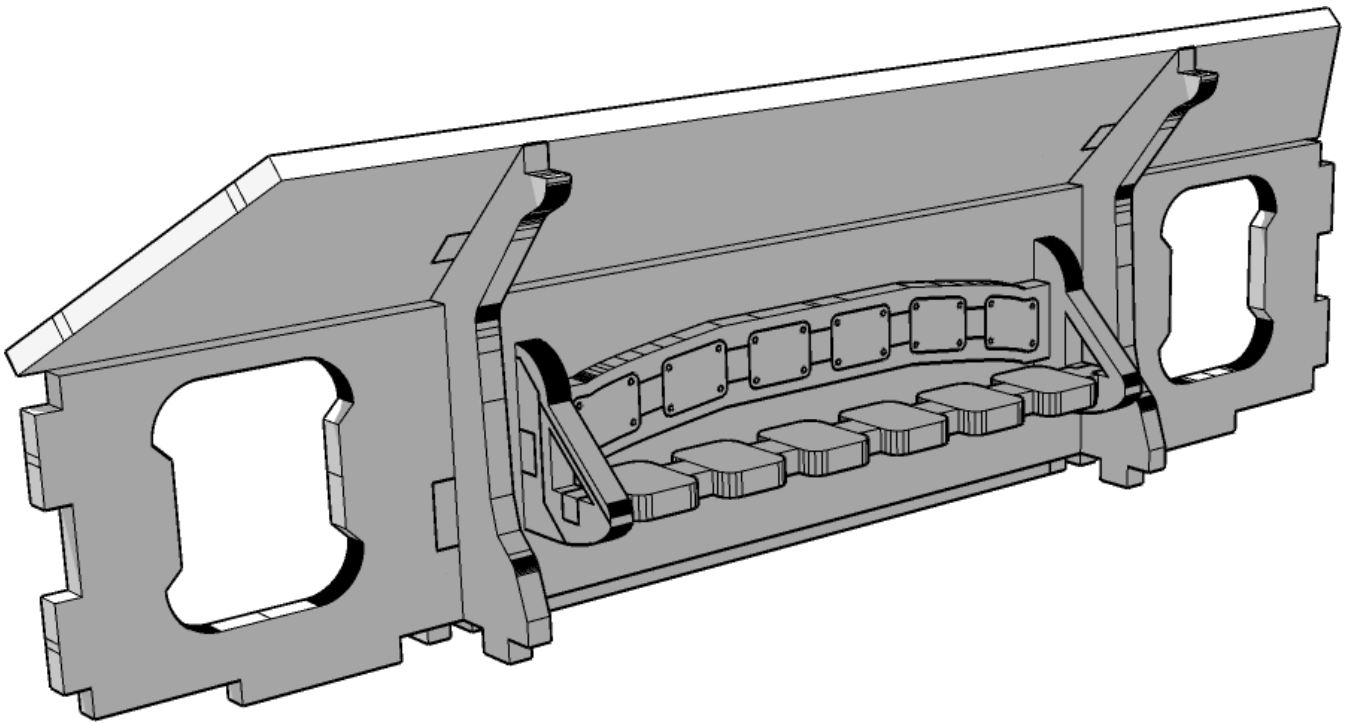




TABLETOP SCENICS

TTSCW-SFU-164
Street Wars:
Surgery

81



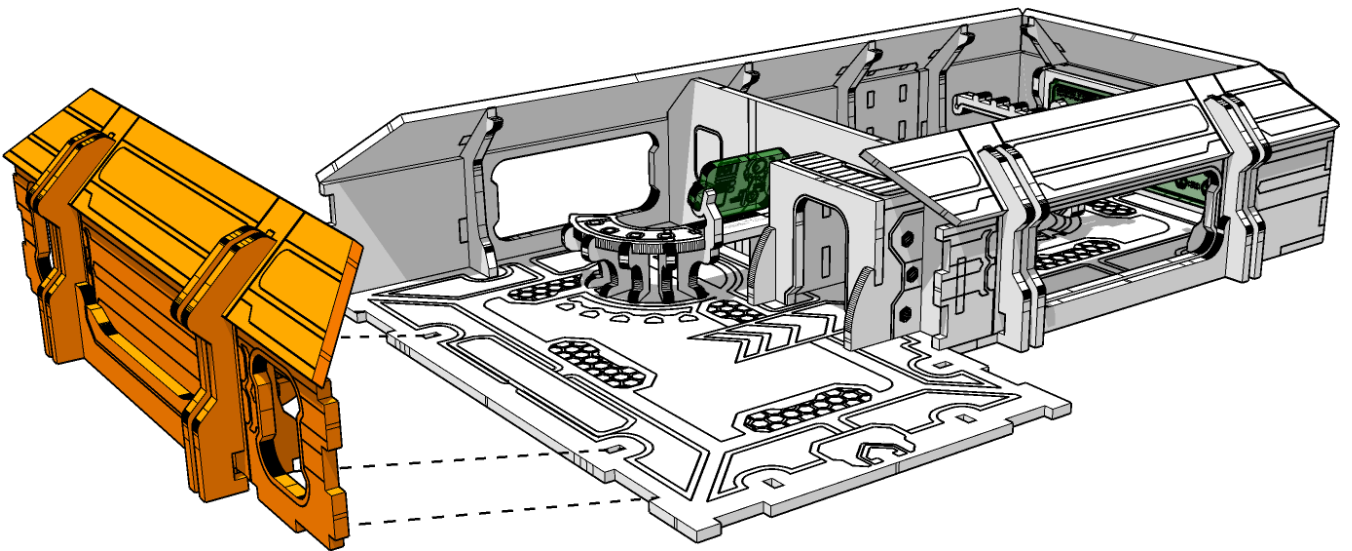
 **TTCOMBAT**



TABLETOP SCENICS

TTSCW-SFU-164
Street Wars:
Surgery

82

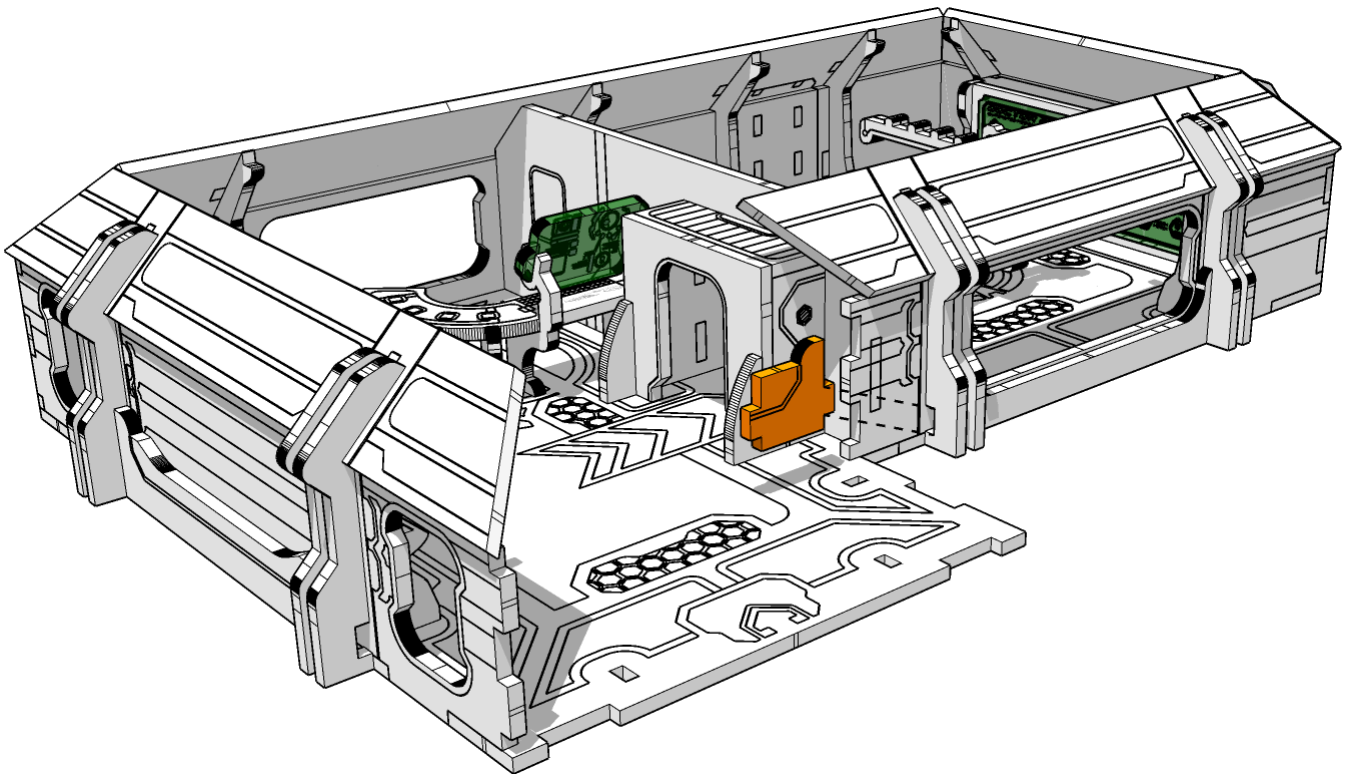




TABLETOP SCENICS

TTSCW-SFU-164
Street Wars:
Surgery

83

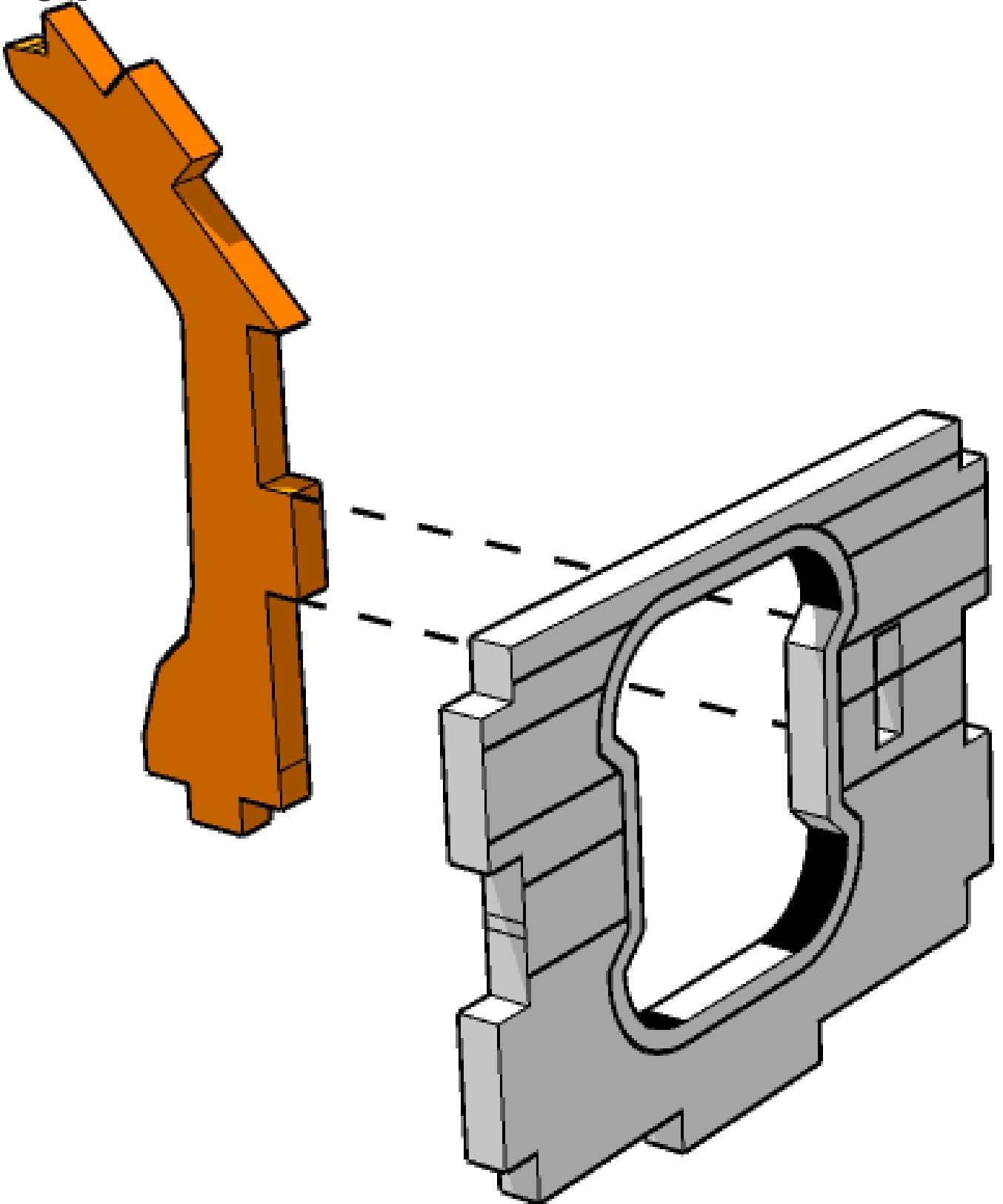




TABLETOP SCENICS

TTSCW-SFU-164
Street Wars:
Surgery

84

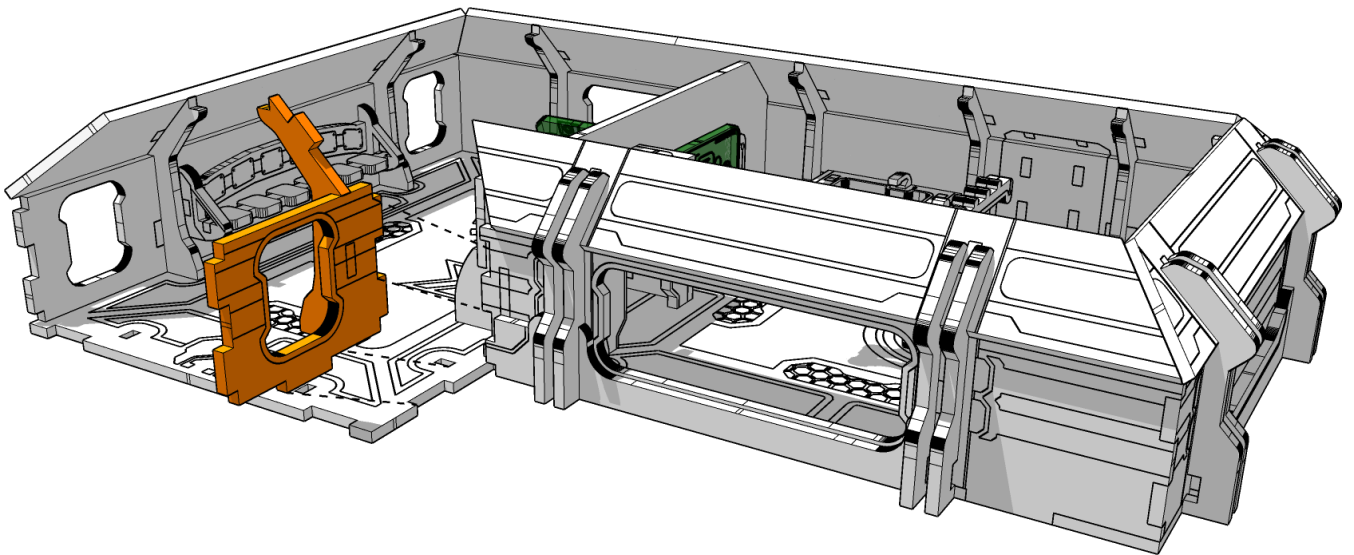




TABLETOP SCENICS

TTSCW-SFU-164
Street Wars:
Surgery

85

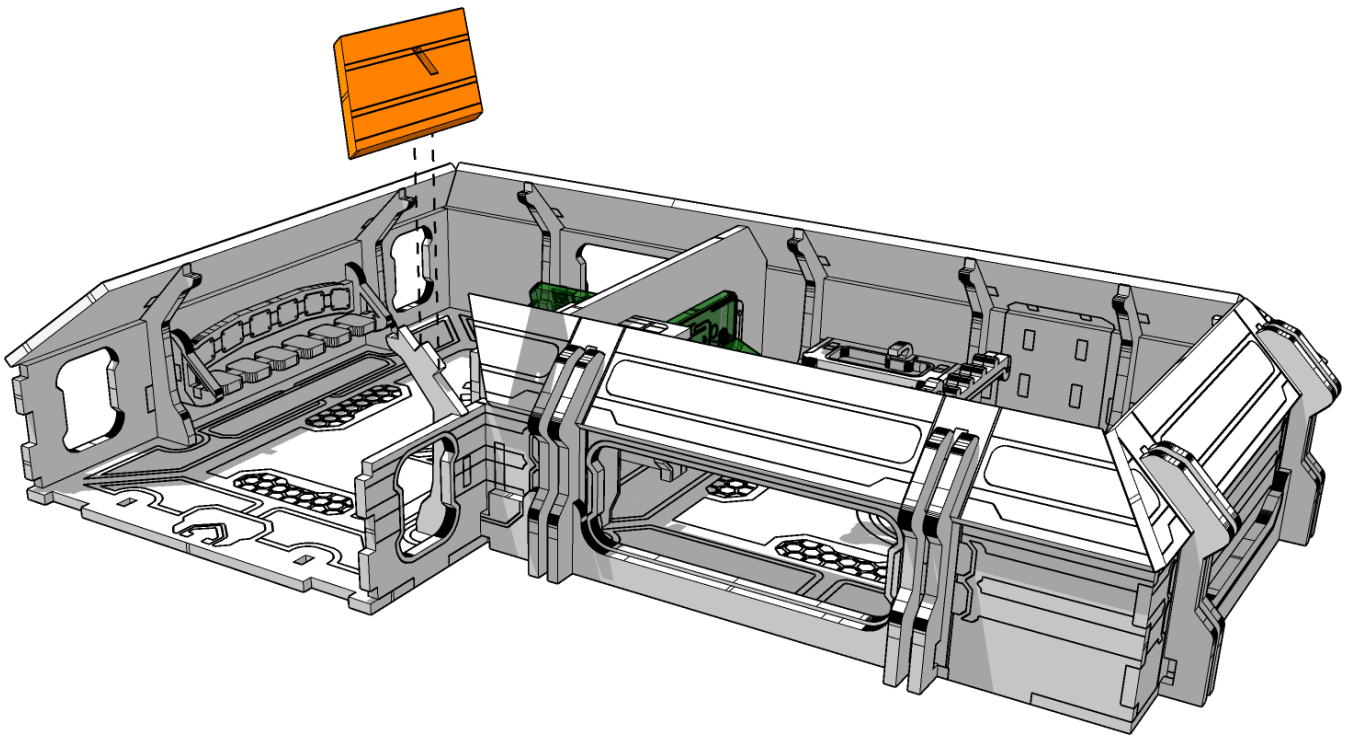




TABLETOP SCENICS

TTSCW-SFU-164
Street Wars:
Surgery

86

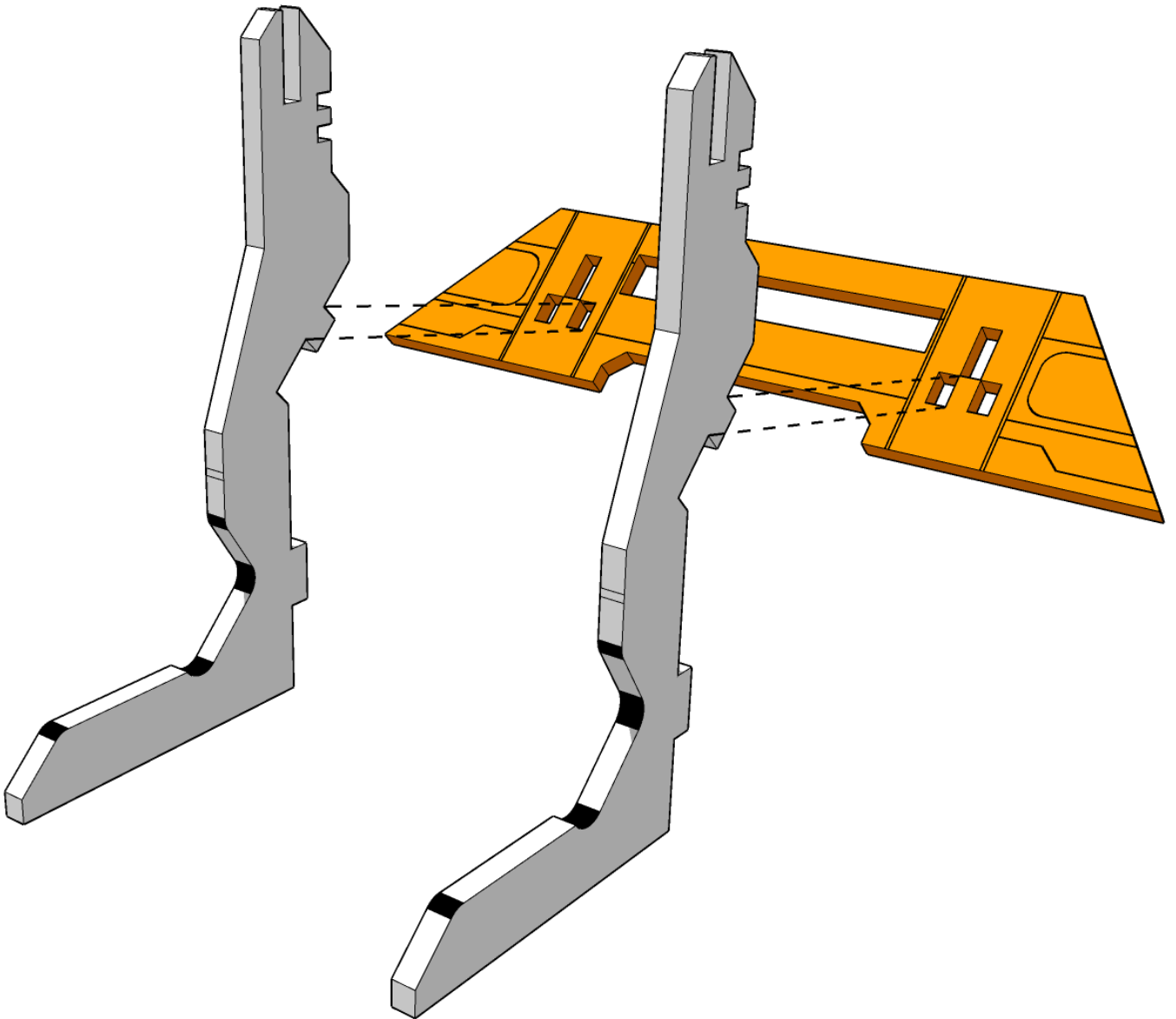




TABLETOP SCENICS

TTSCW-SFU-164
Street Wars:
Surgery

87

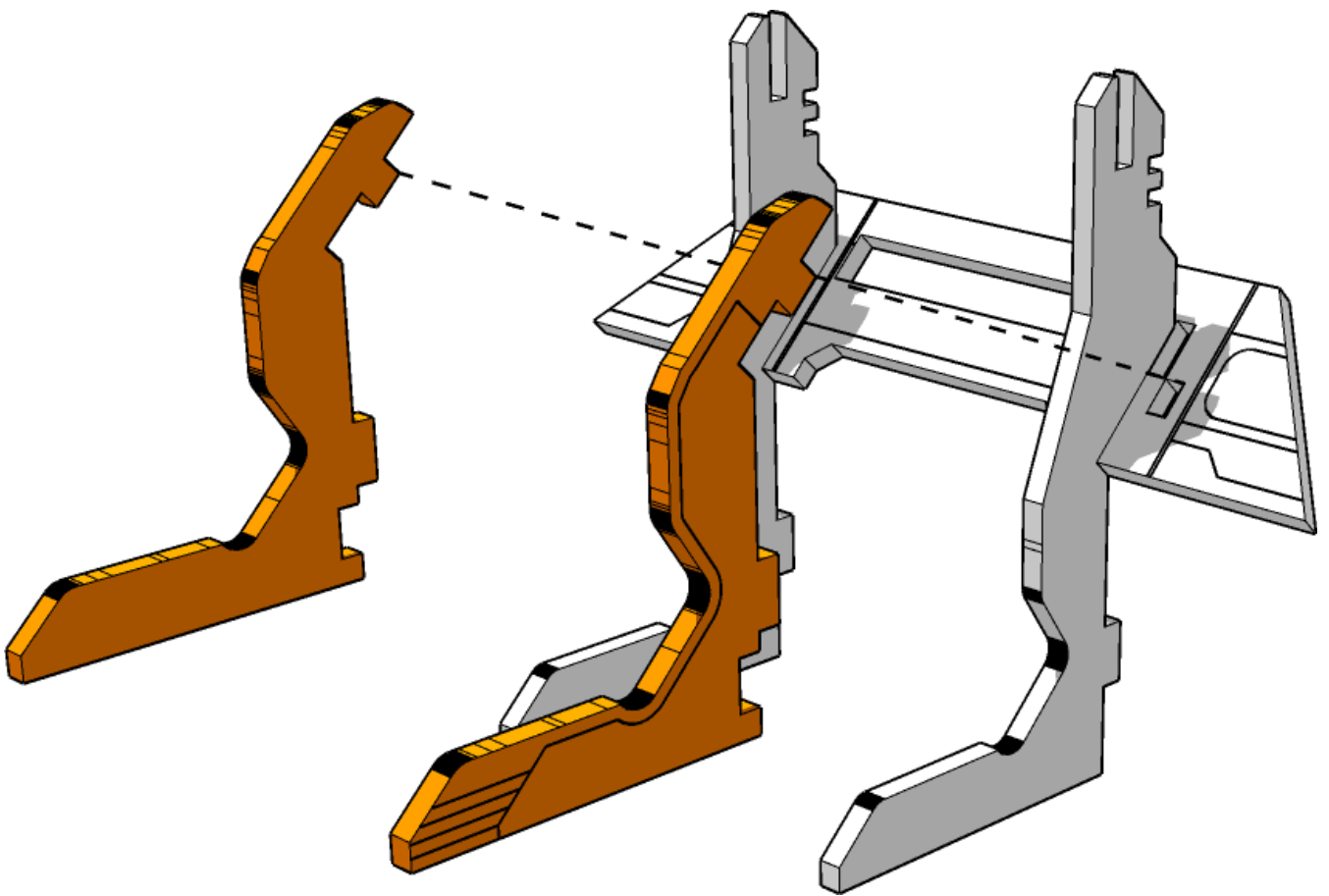




TABLETOP SCENICS

TTSCW-SFU-164
Street Wars:
Surgery

88

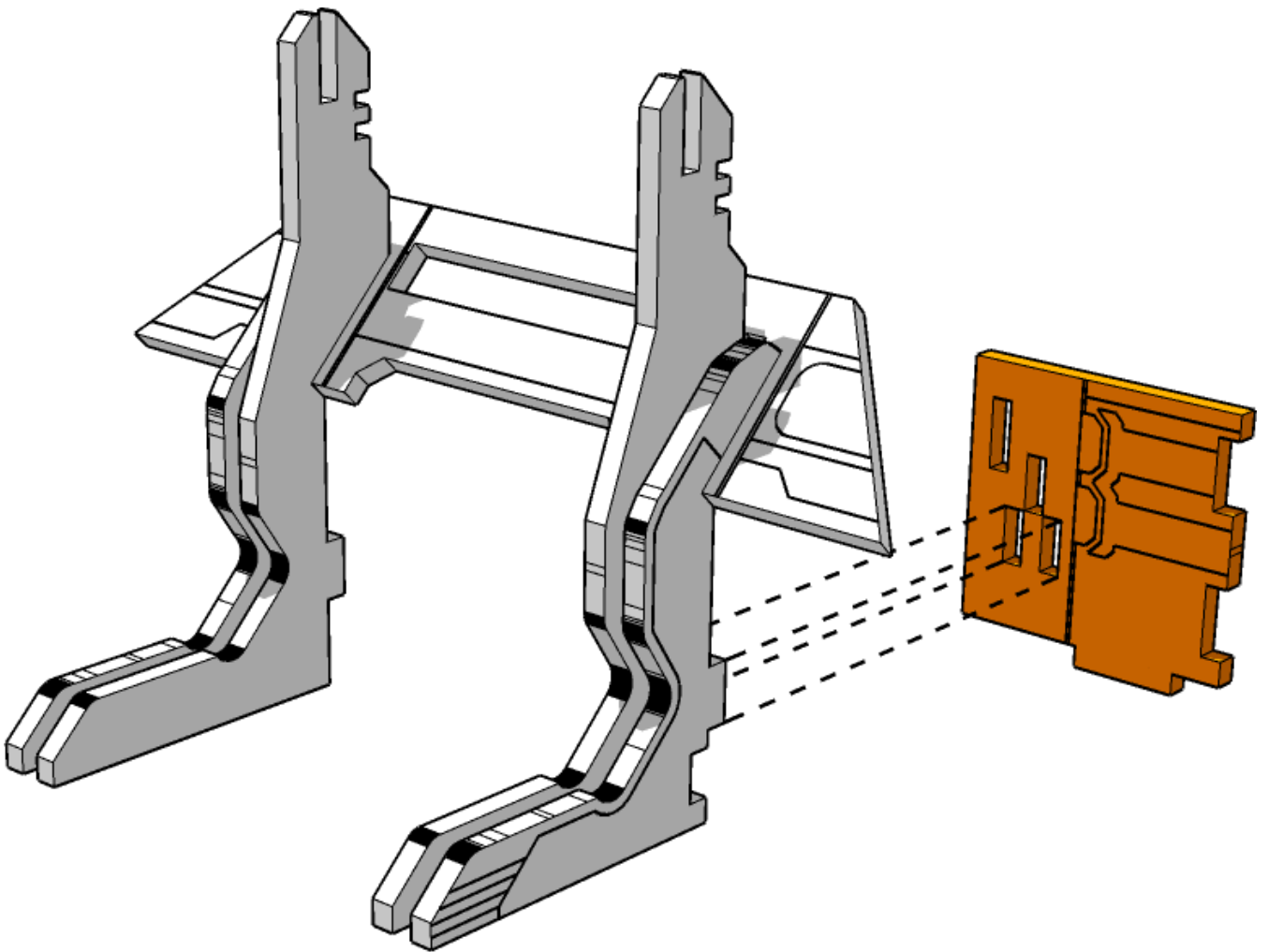




TABLETOP SCENICS

TTSCW-SFU-164
Street Wars:
Surgery

89

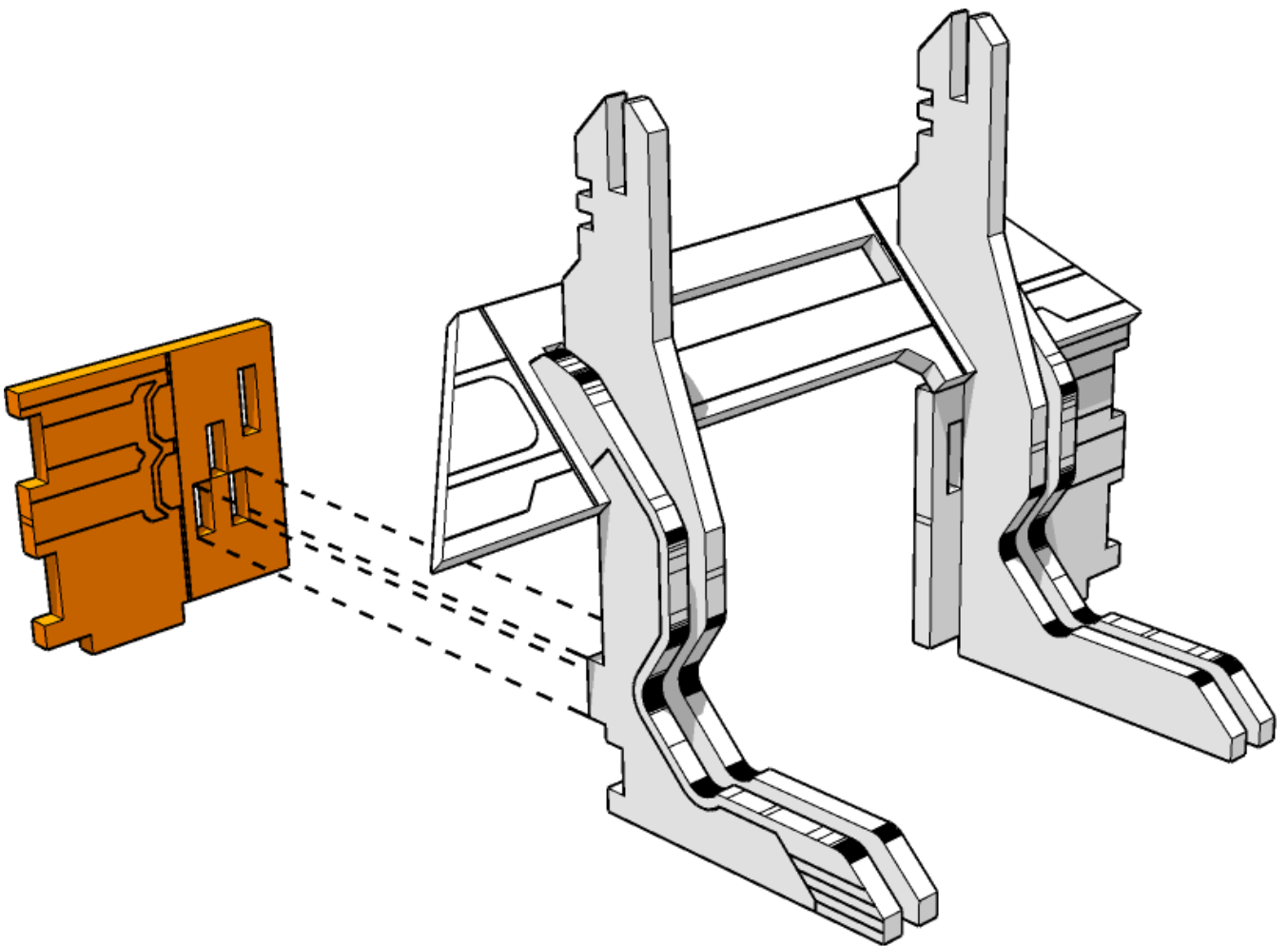




TABLETOP SCENICS

TTSCW-SFU-164
Street Wars:
Surgery

90

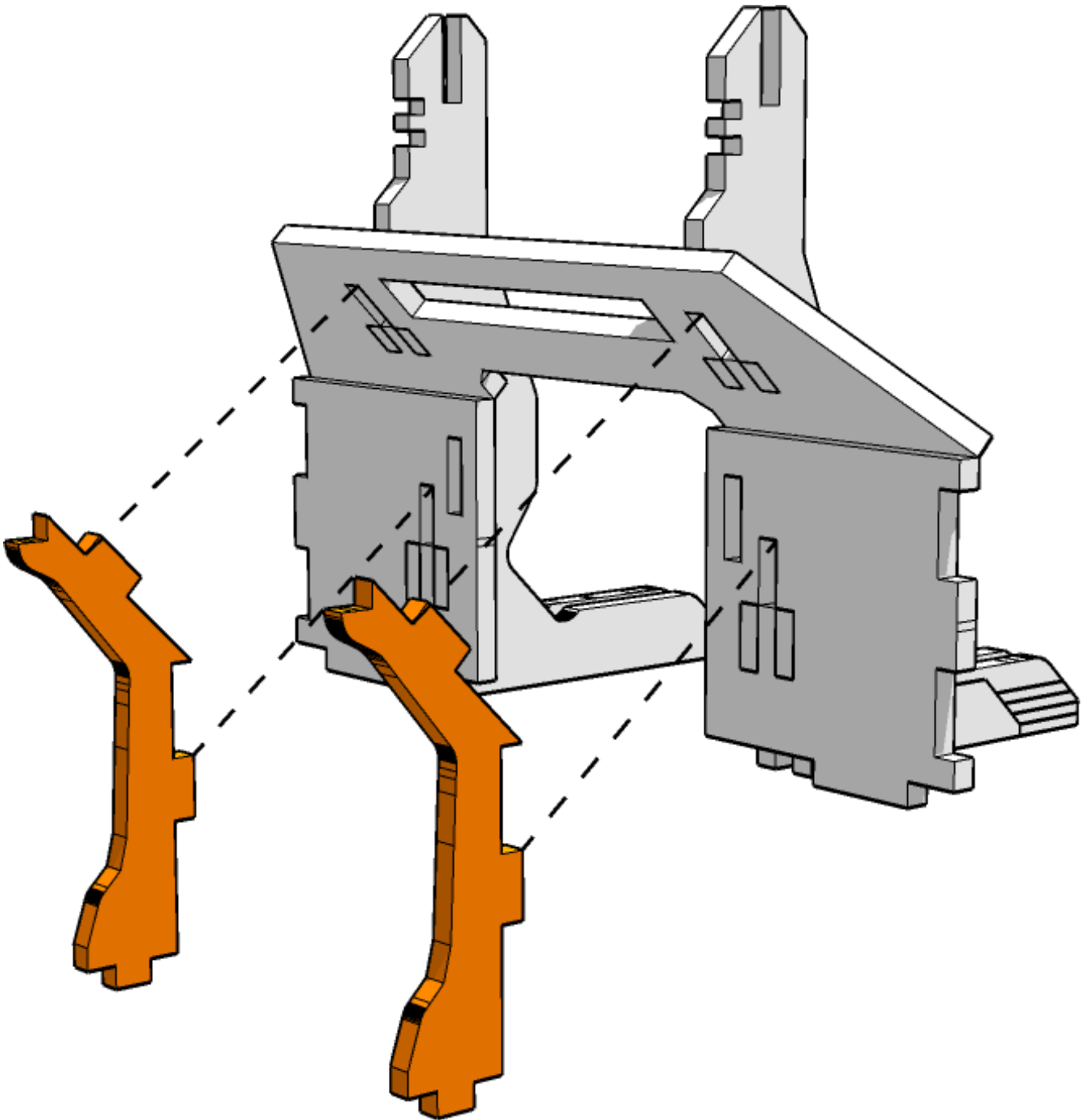




TABLETOP SCENICS

TTSCW-SFU-164
Street Wars:
Surgery

91

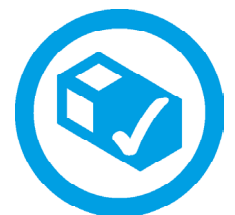
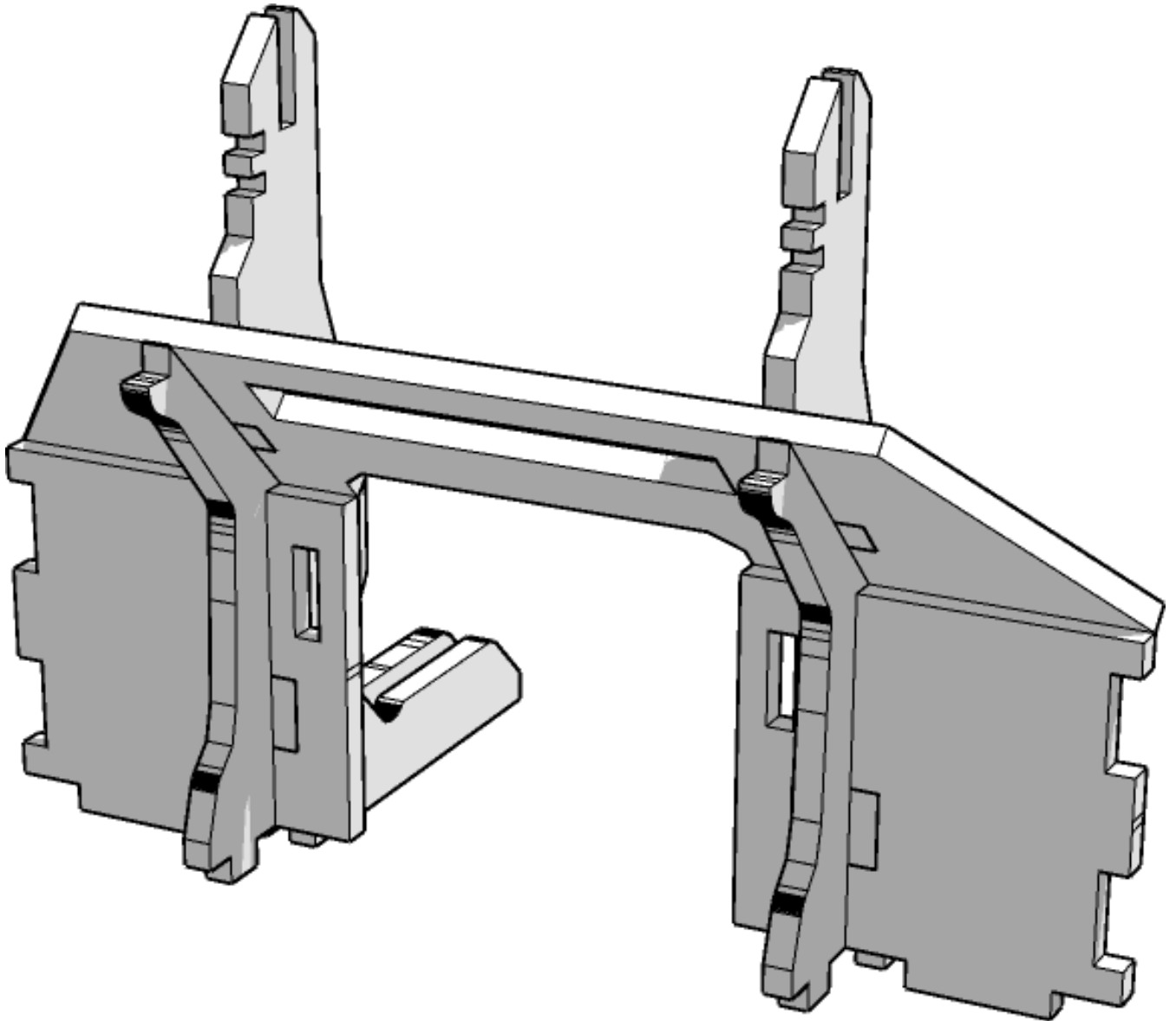




TABLETOP SCENICS

TTSCW-SFU-164
Street Wars:
Surgery

92



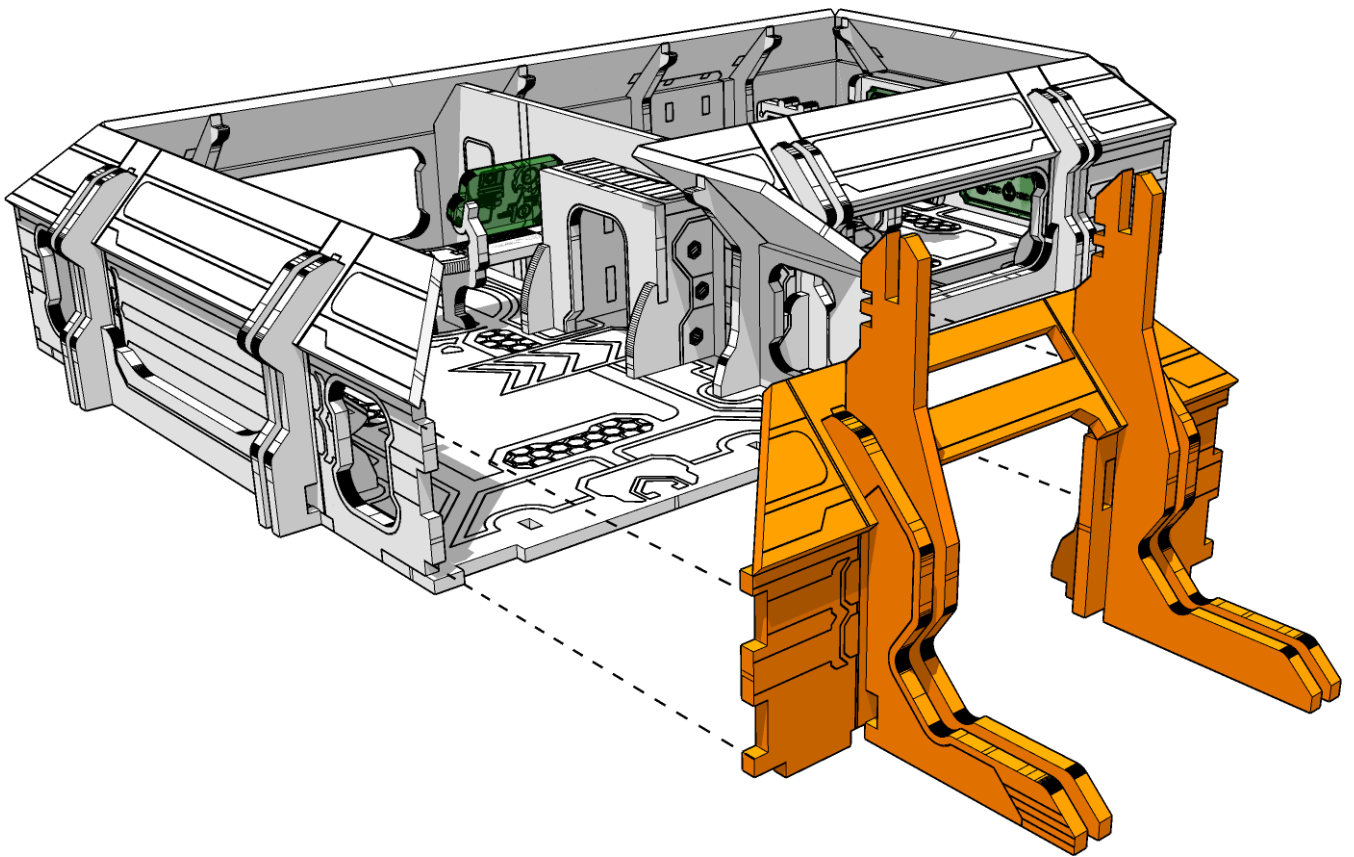
 **TTCOMBAT**



TABLETOP SCENICS

TTSCW-SFU-164
Street Wars:
Surgery

93

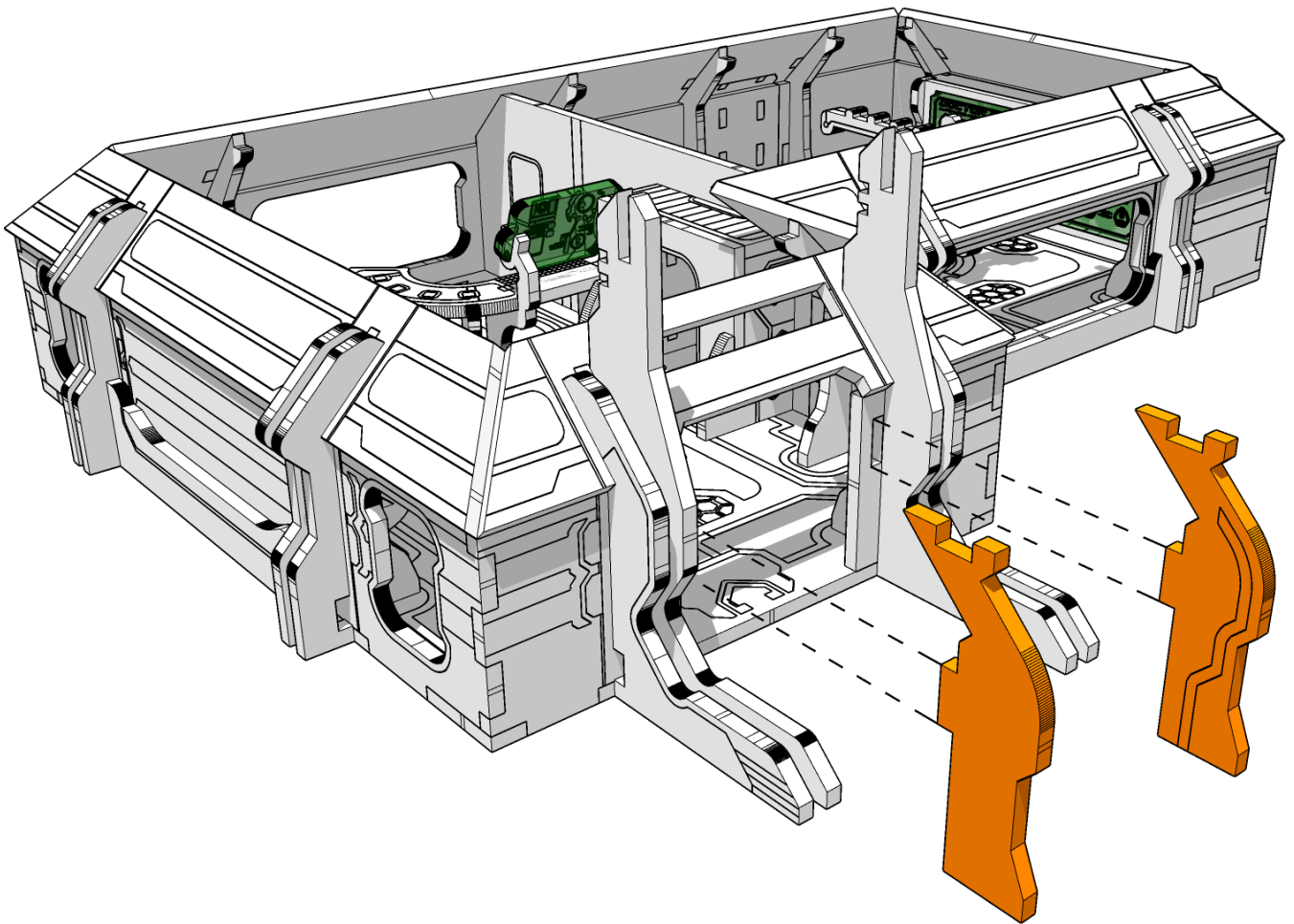




TABLETOP SCENICS

TTSCW-SFU-164
Street Wars:
Surgery

94

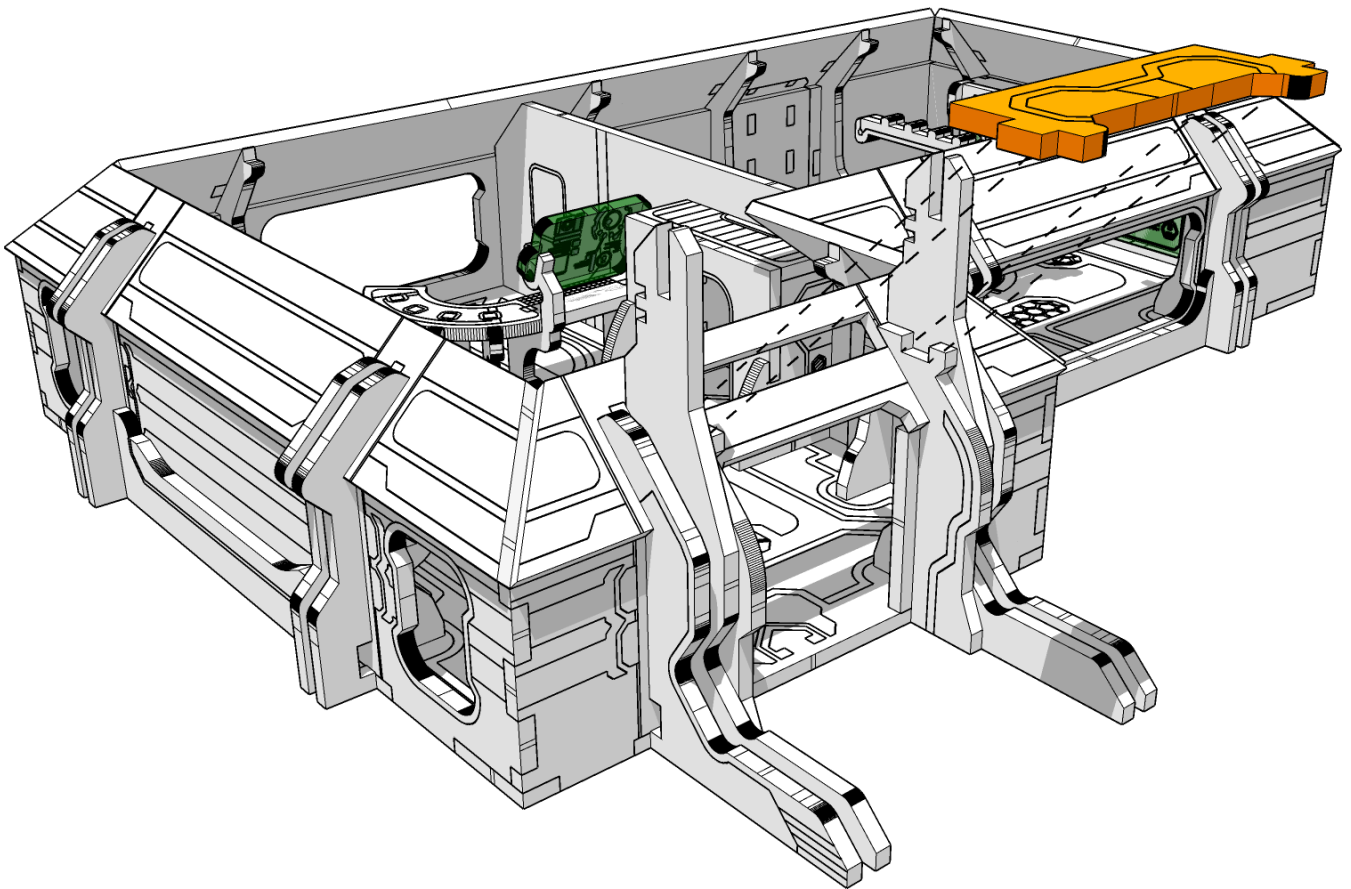




TABLETOP SCENICS

TTSCW-SFU-164
Street Wars:
Surgery

95

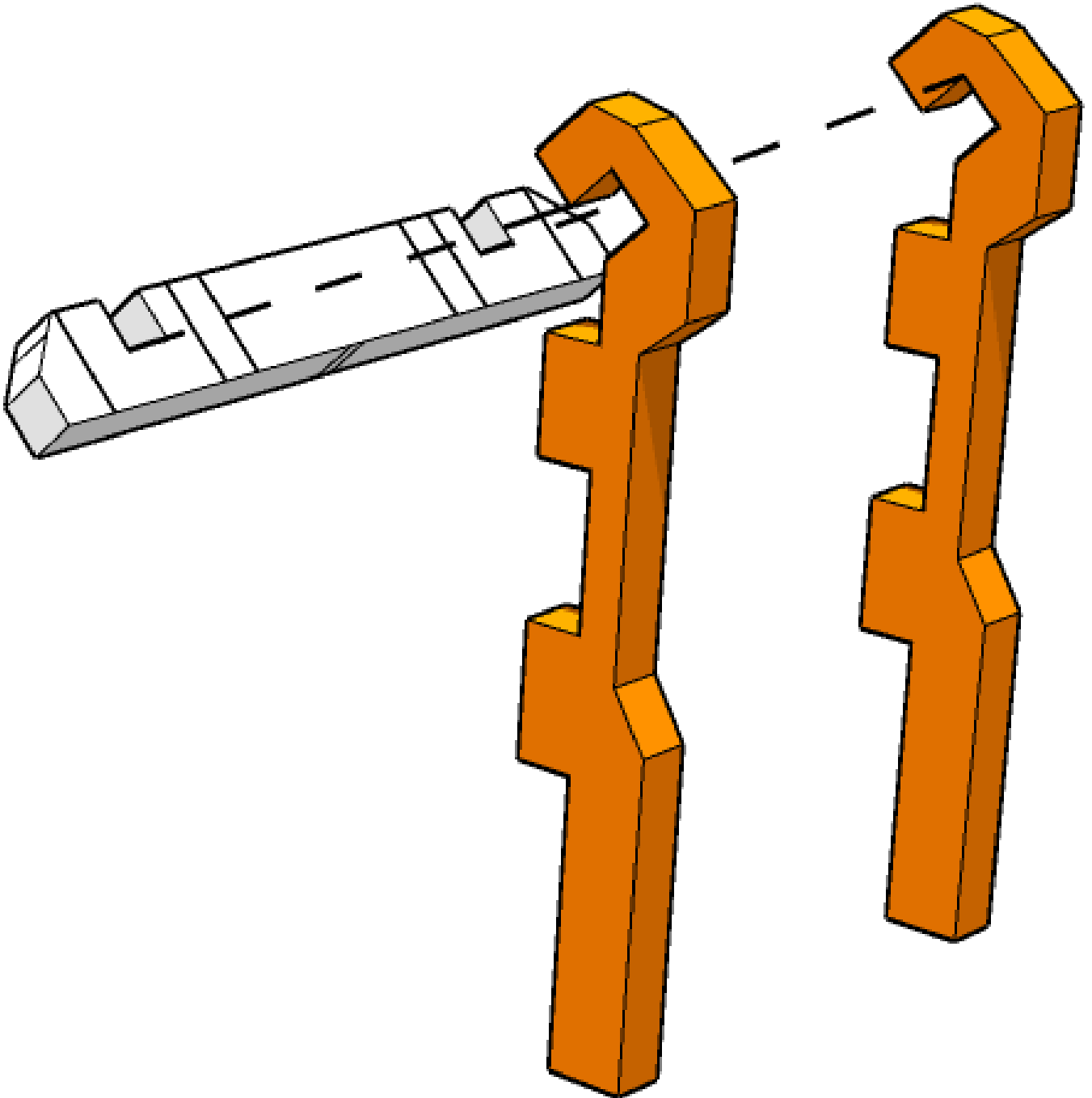




TABLETOP SCENICS

TTSCW-SFU-164
Street Wars:
Surgery

96

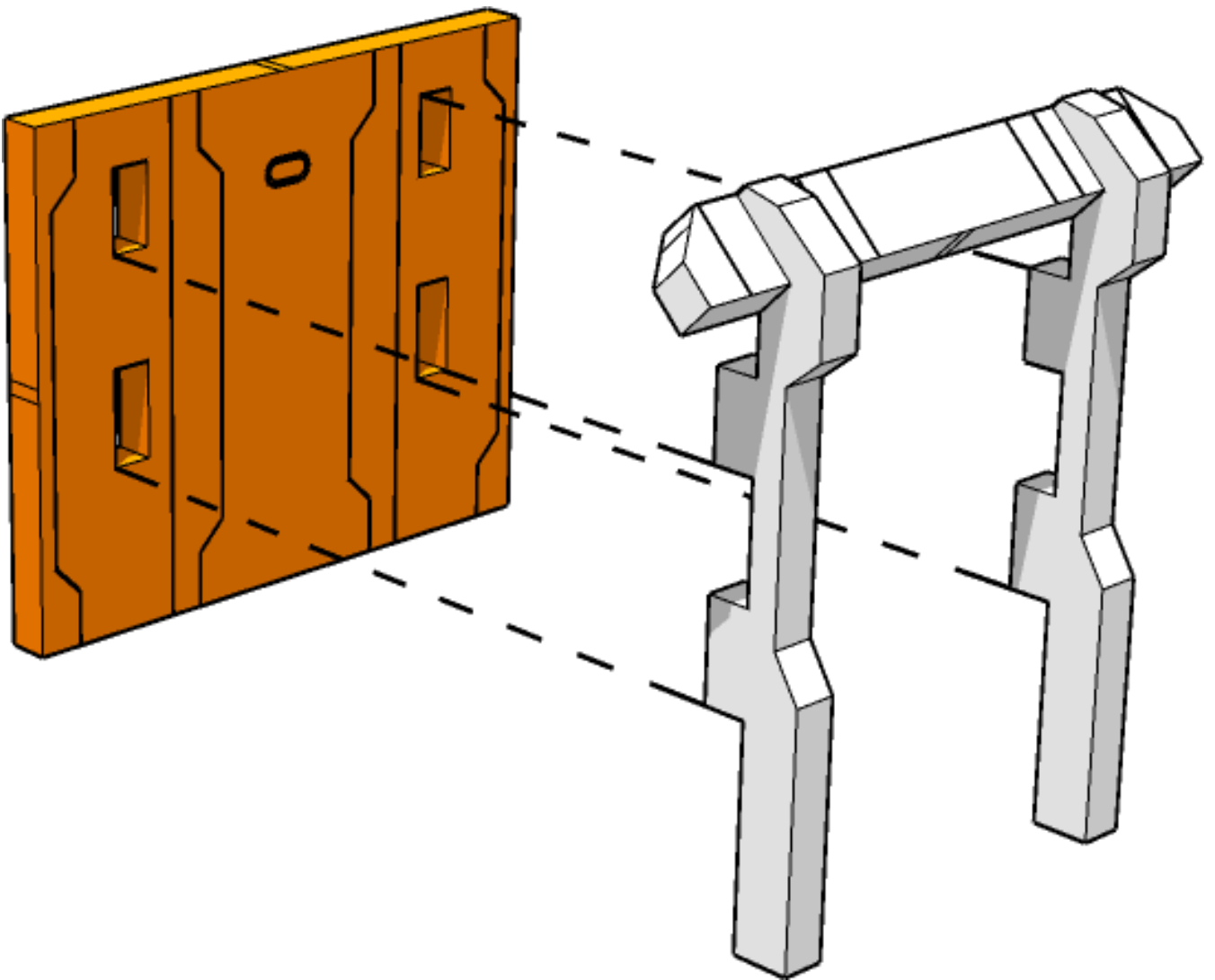




TABLETOP SCENICS

TTSCW-SFU-164
Street Wars:
Surgery

97

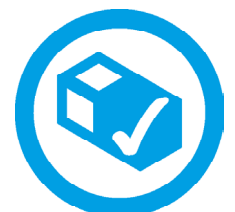
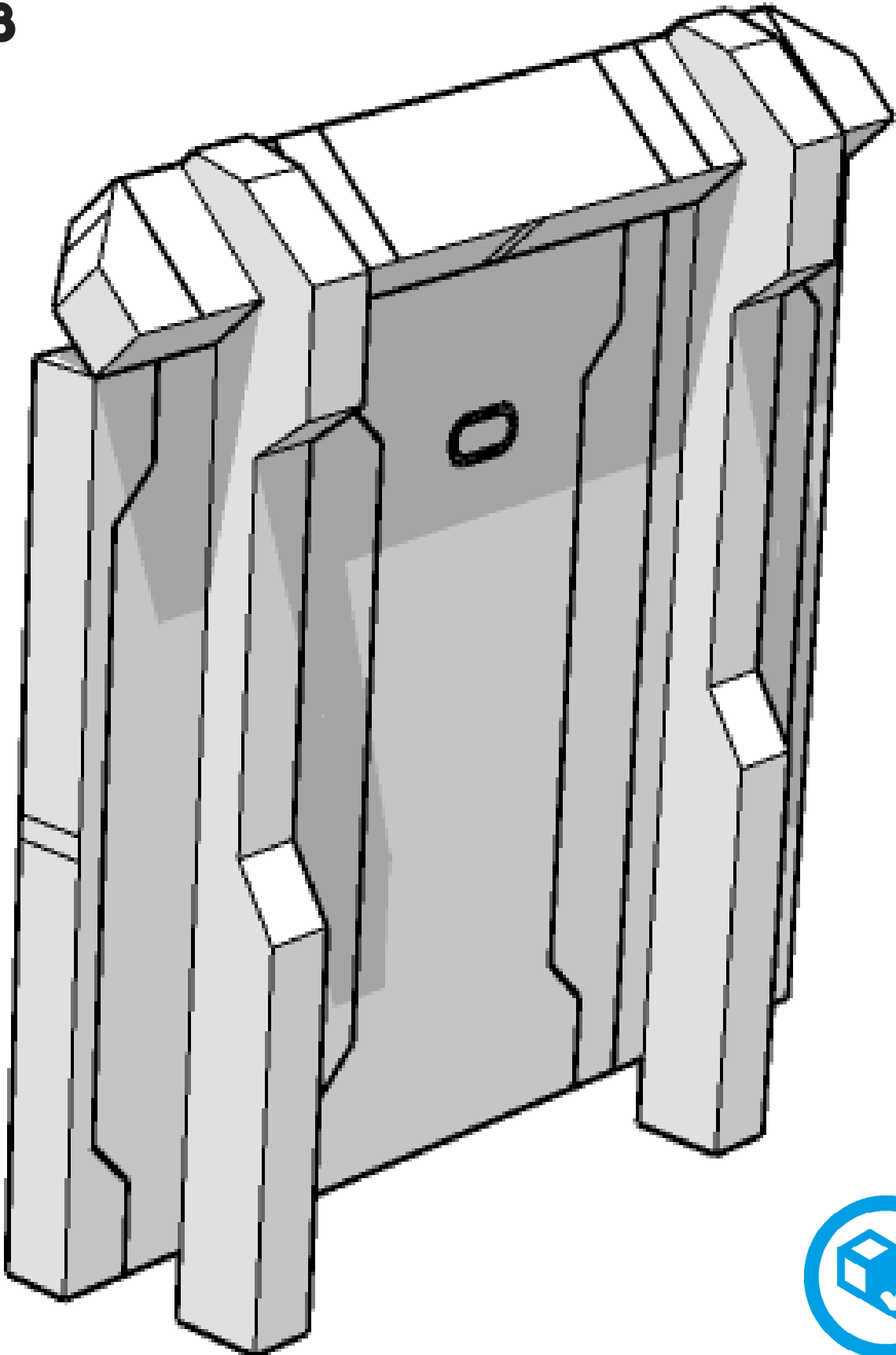




TABLETOP SCENICS

TTSCW-SFU-164
Street Wars:
Surgery

98



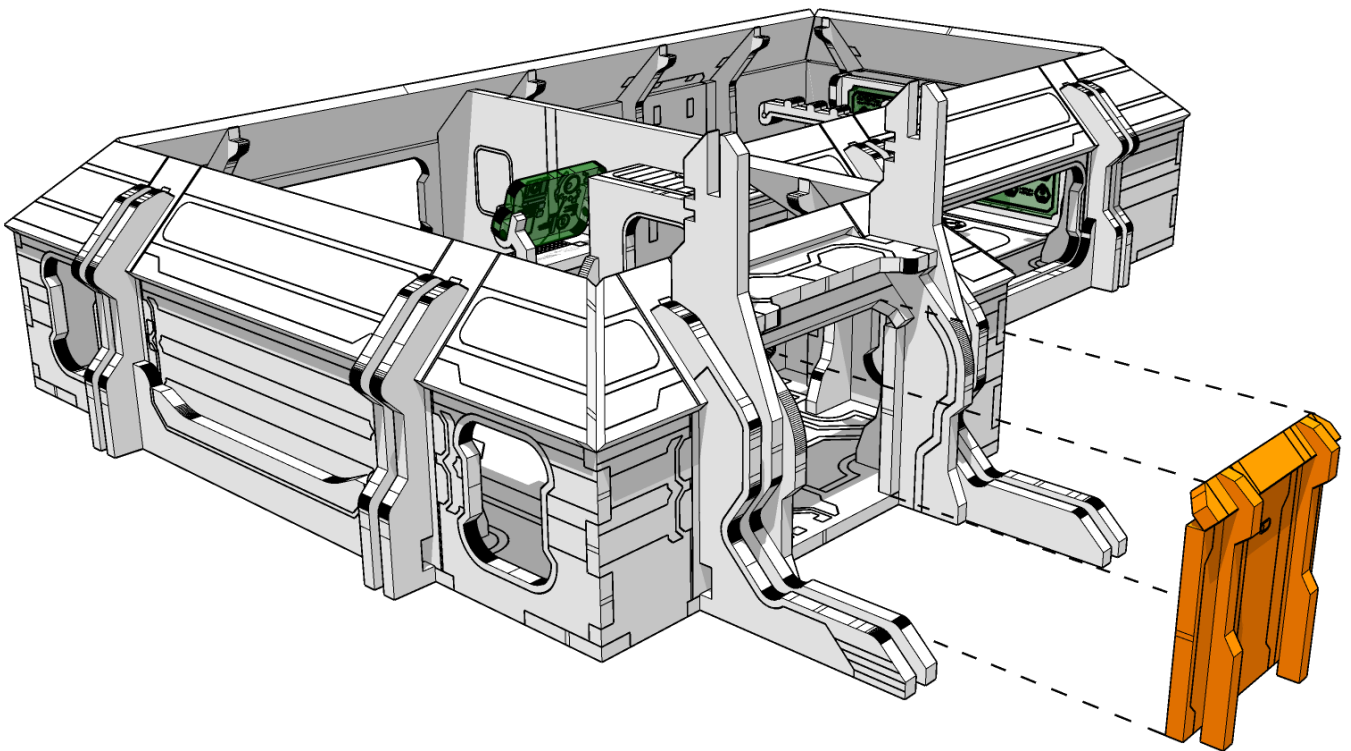
 TCOMBAT



TABLETOP SCENICS

TTSCW-SFU-164
Street Wars:
Surgery

99



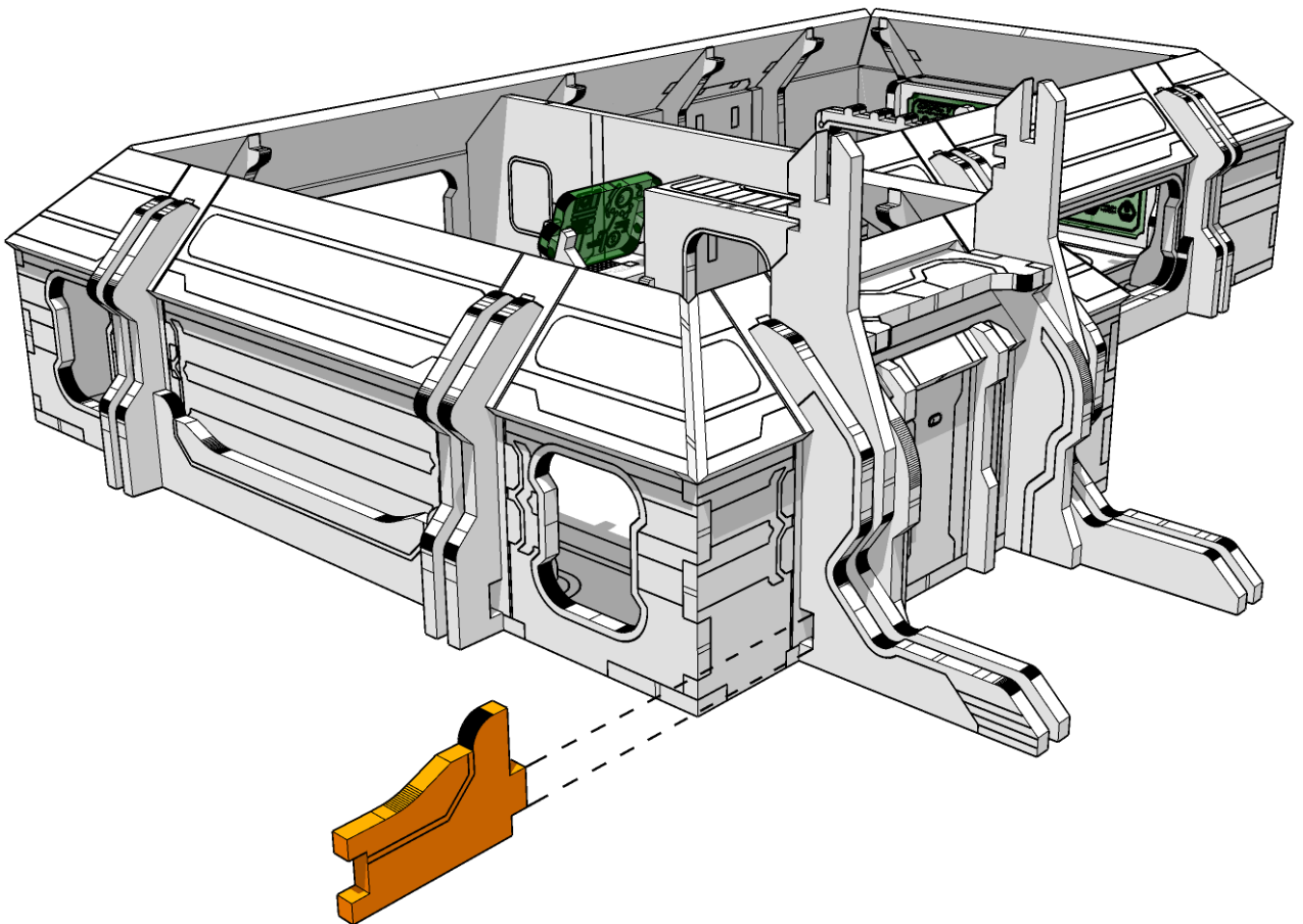
Gluing door into position is optional



TABLETOP SCENICS

TTSCW-SFU-164
Street Wars:
Surgery

100

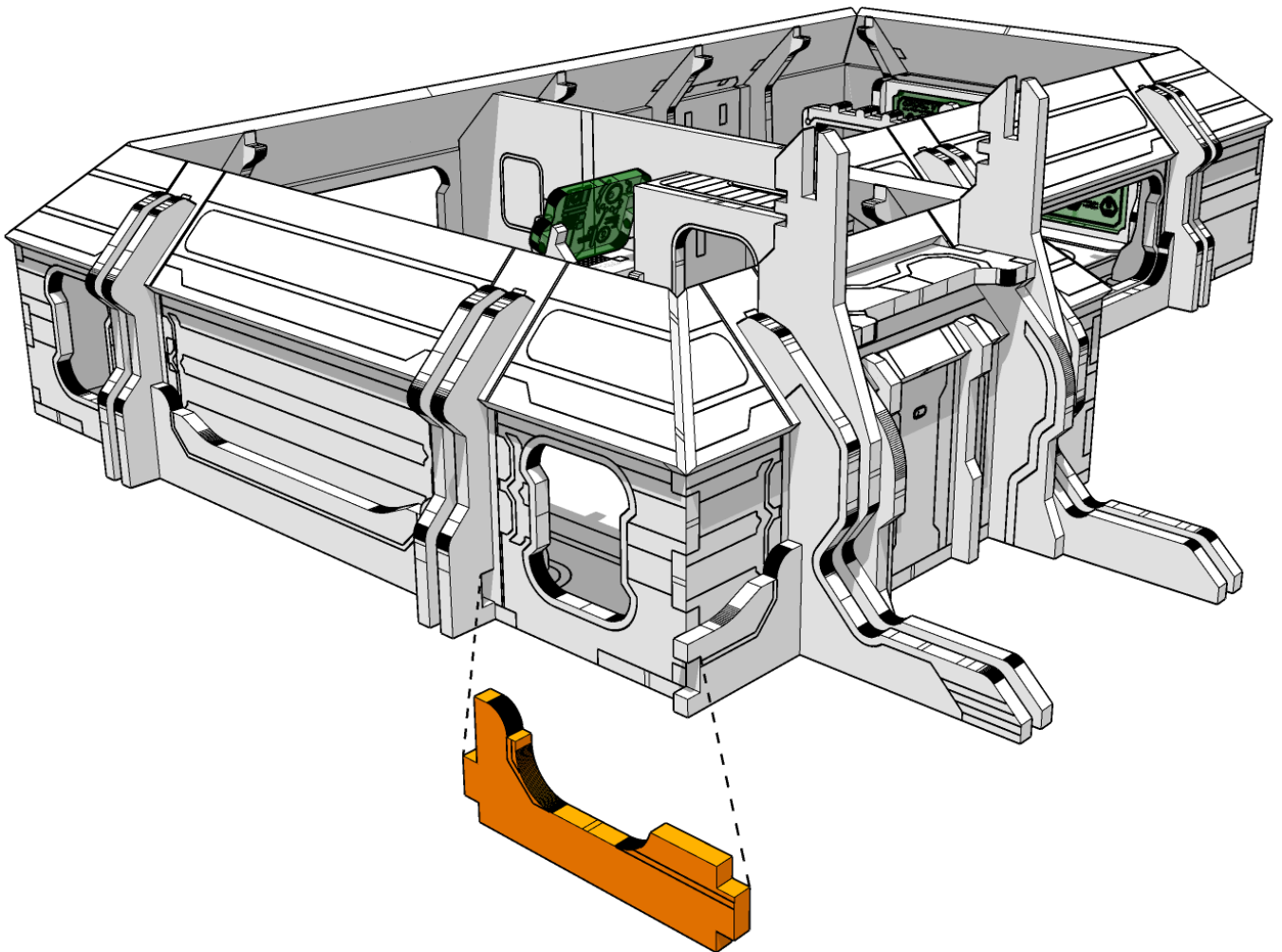




TABLETOP SCENICS

TTSCW-SFU-164
Street Wars:
Surgery

101

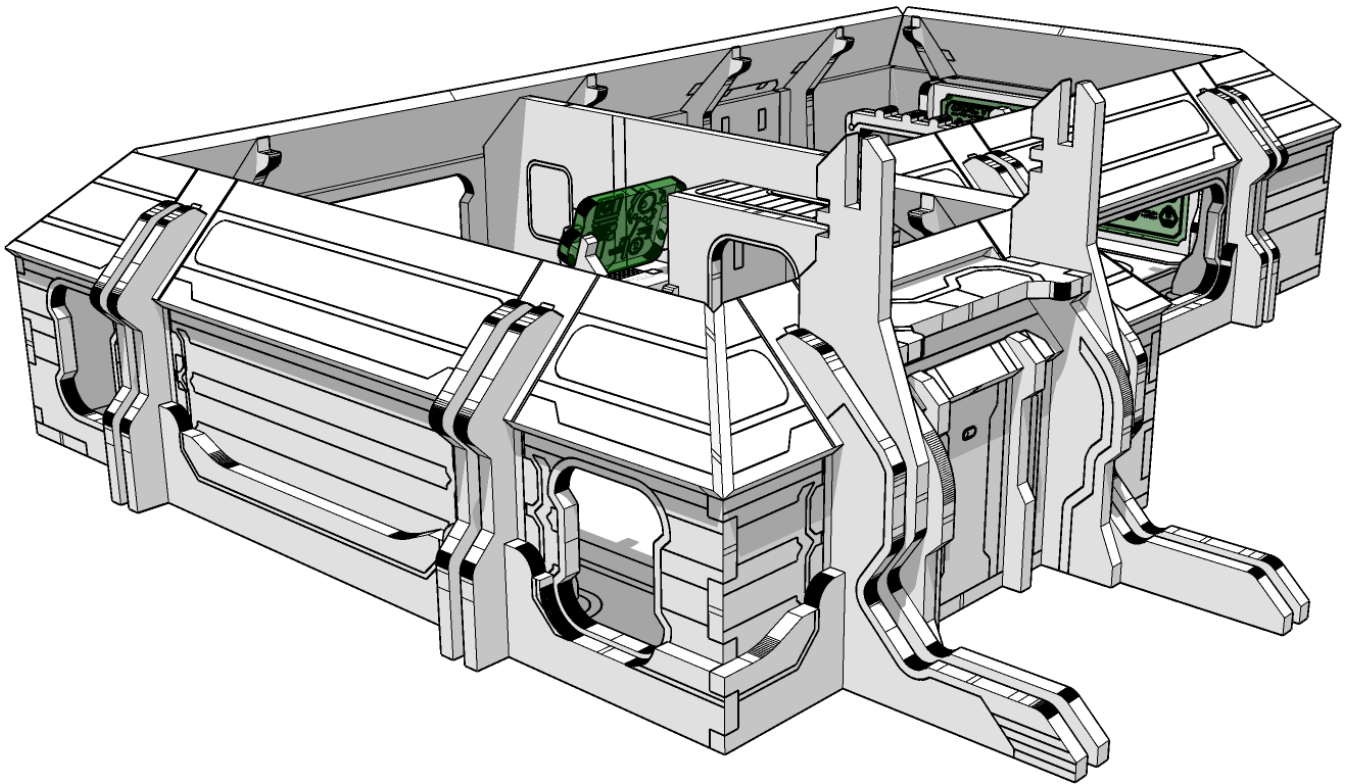




TABLETOP SCENICS

TTSCW-SFU-164
Street Wars:
Surgery

102

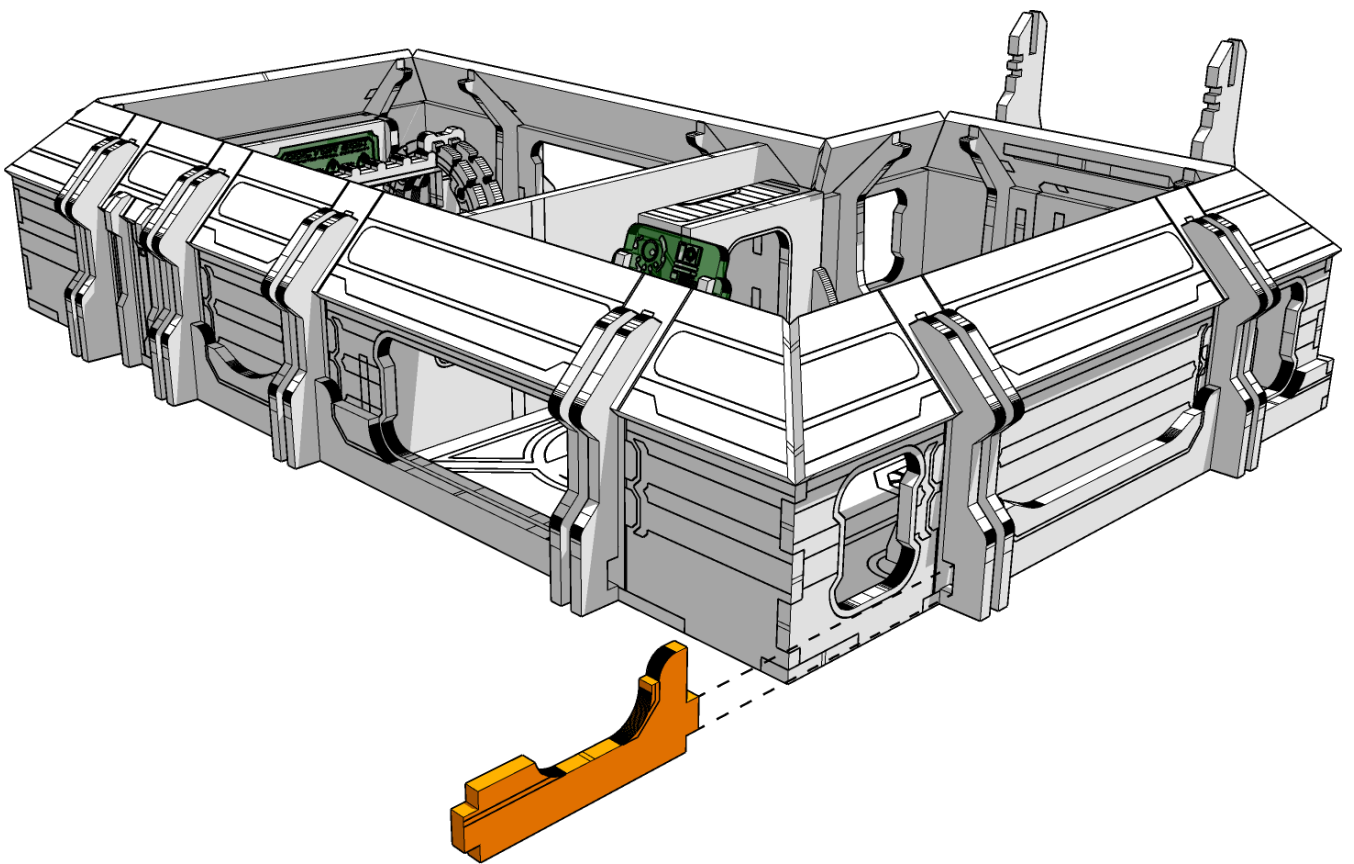




TABLETOP SCENICS

TTSCW-SFU-164
Street Wars:
Surgery

103

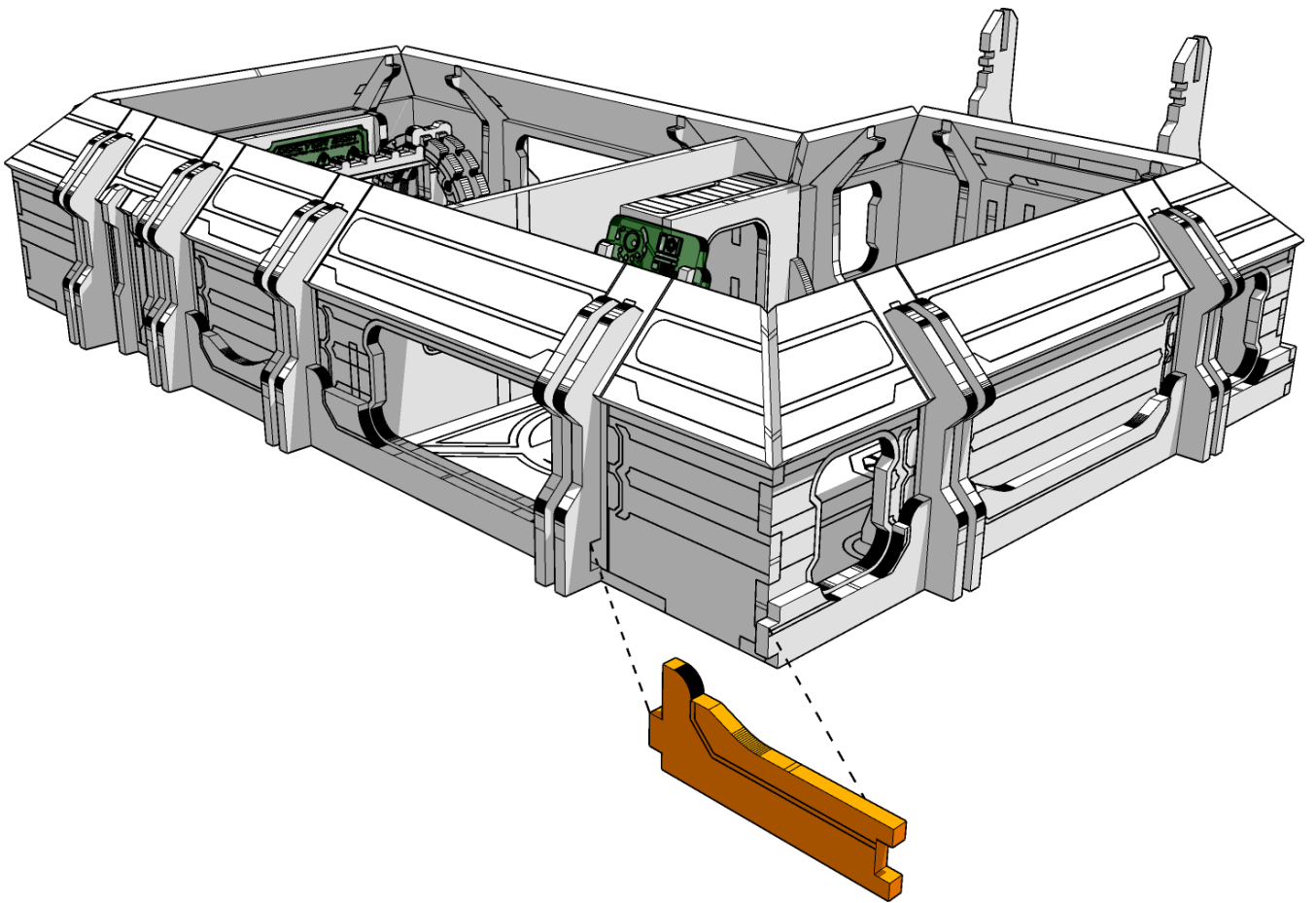




TABLETOP SCENICS

TTSCW-SFU-164
Street Wars:
Surgery

104

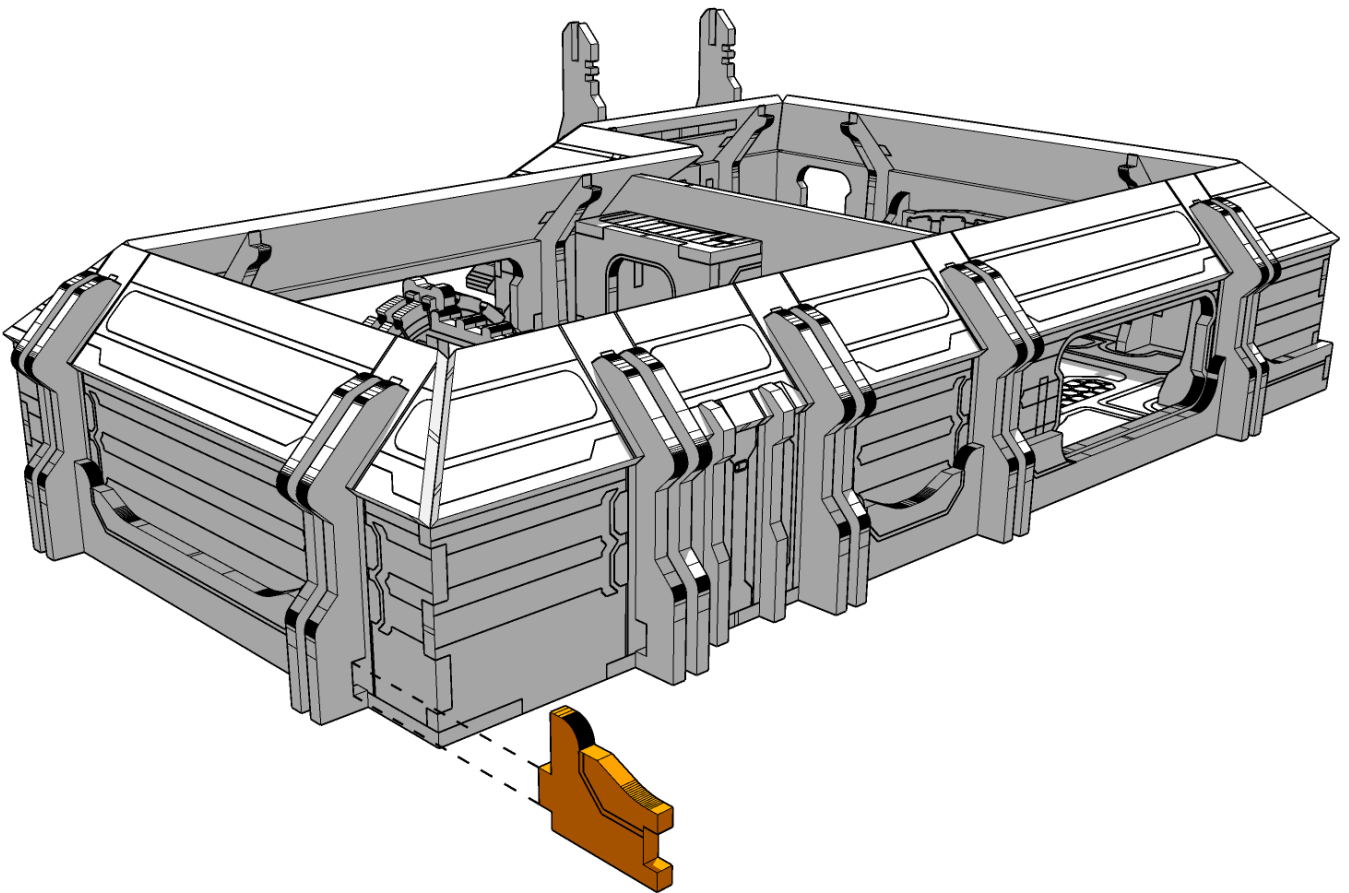




TABLETOP SCENICS

TTSCW-SFU-164
Street Wars:
Surgery

105

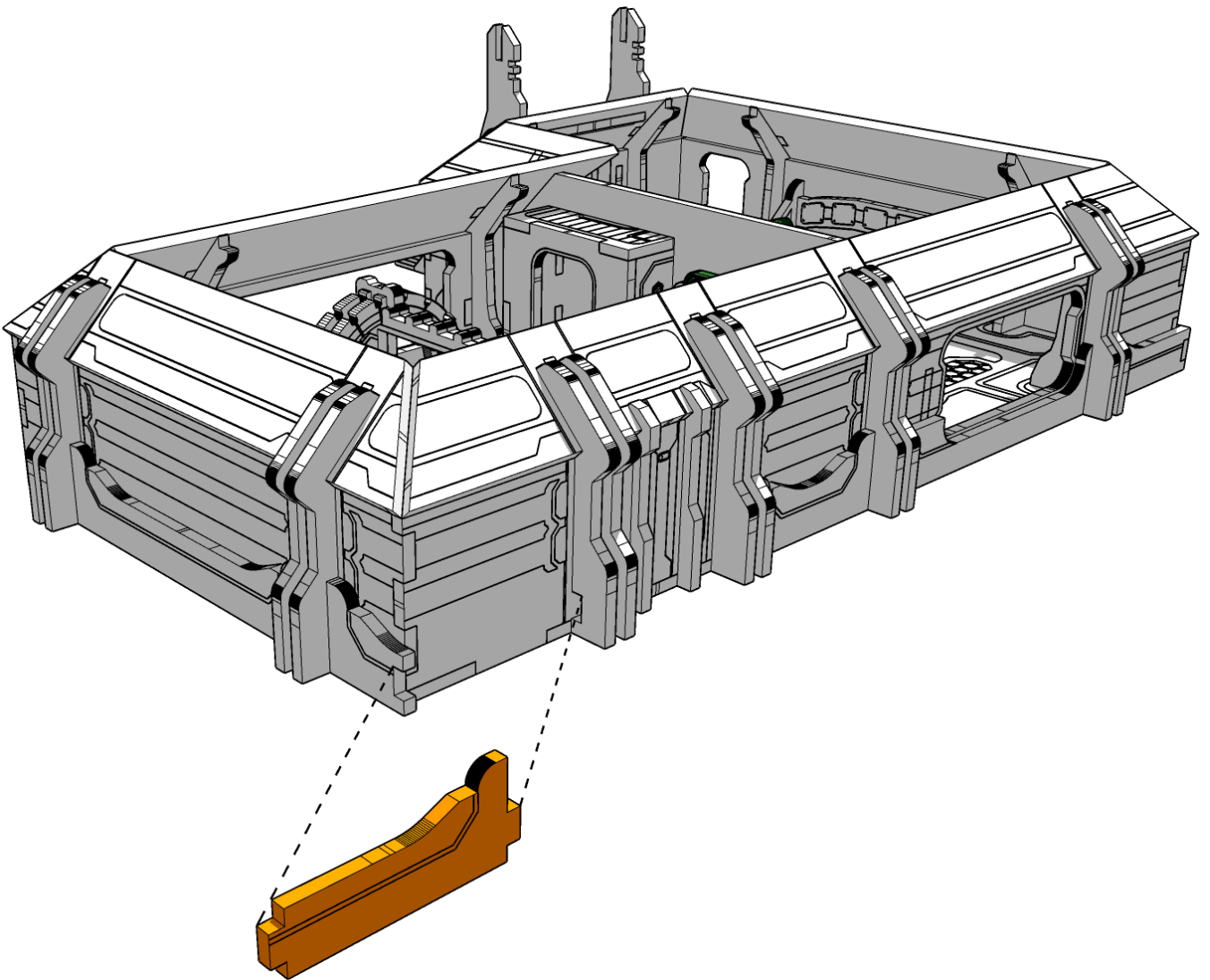




TABLETOP SCENICS

TTSCW-SFU-164
Street Wars:
Surgery

106

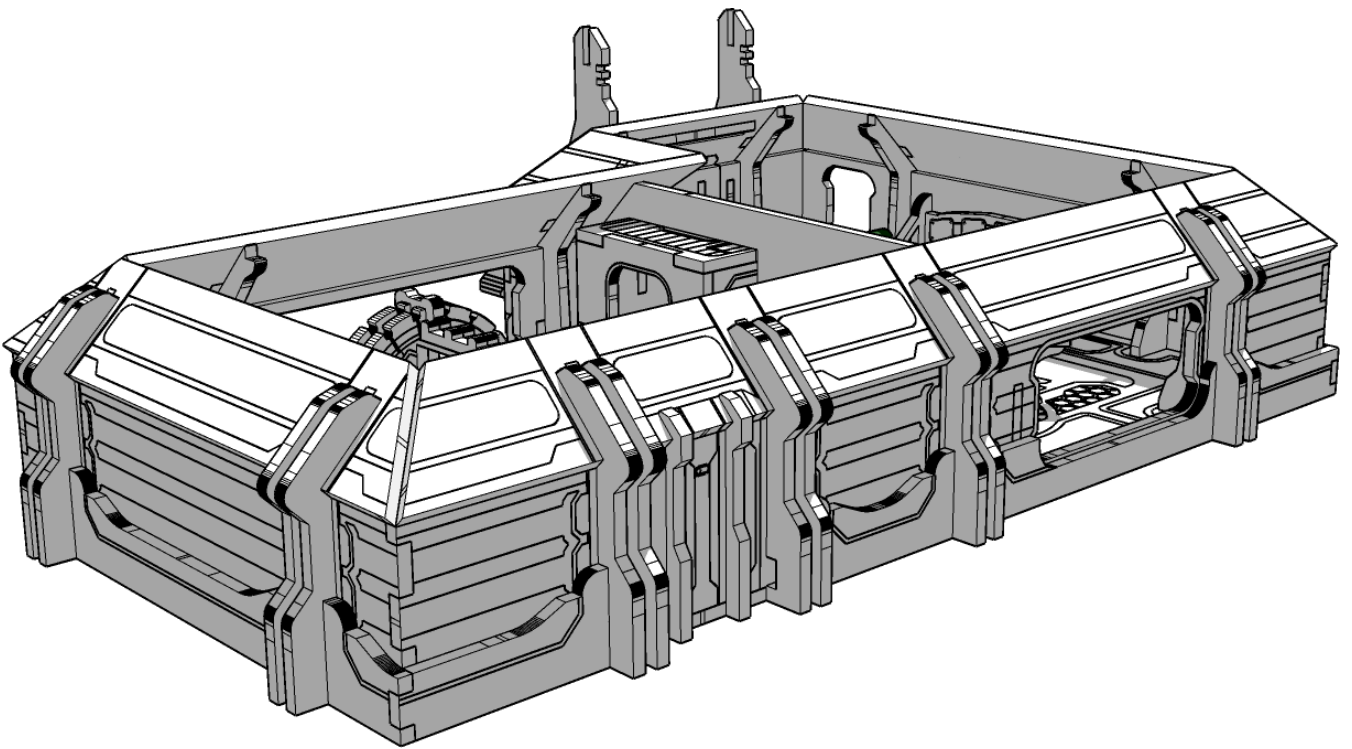




TABLETOP SCENICS

TTSCW-SFU-164
Street Wars:
Surgery

107

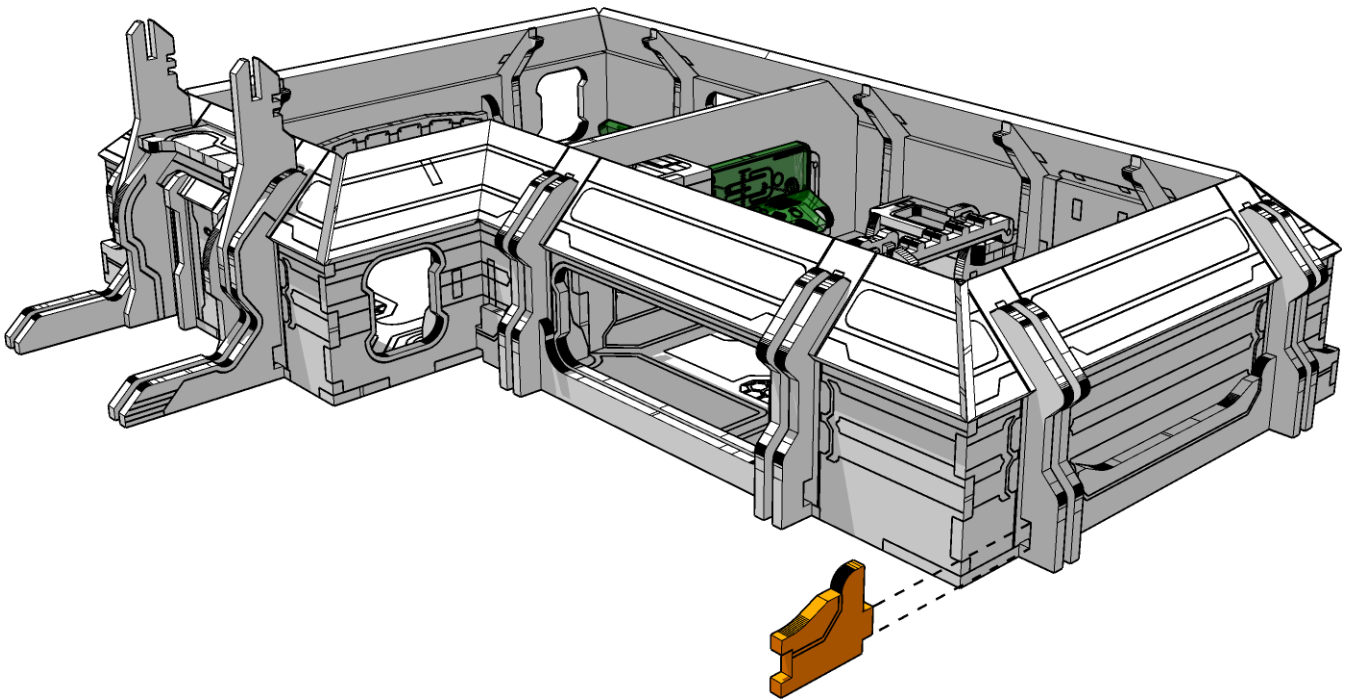




TABLETOP SCENICS

TTSCW-SFU-164
Street Wars:
Surgery

108

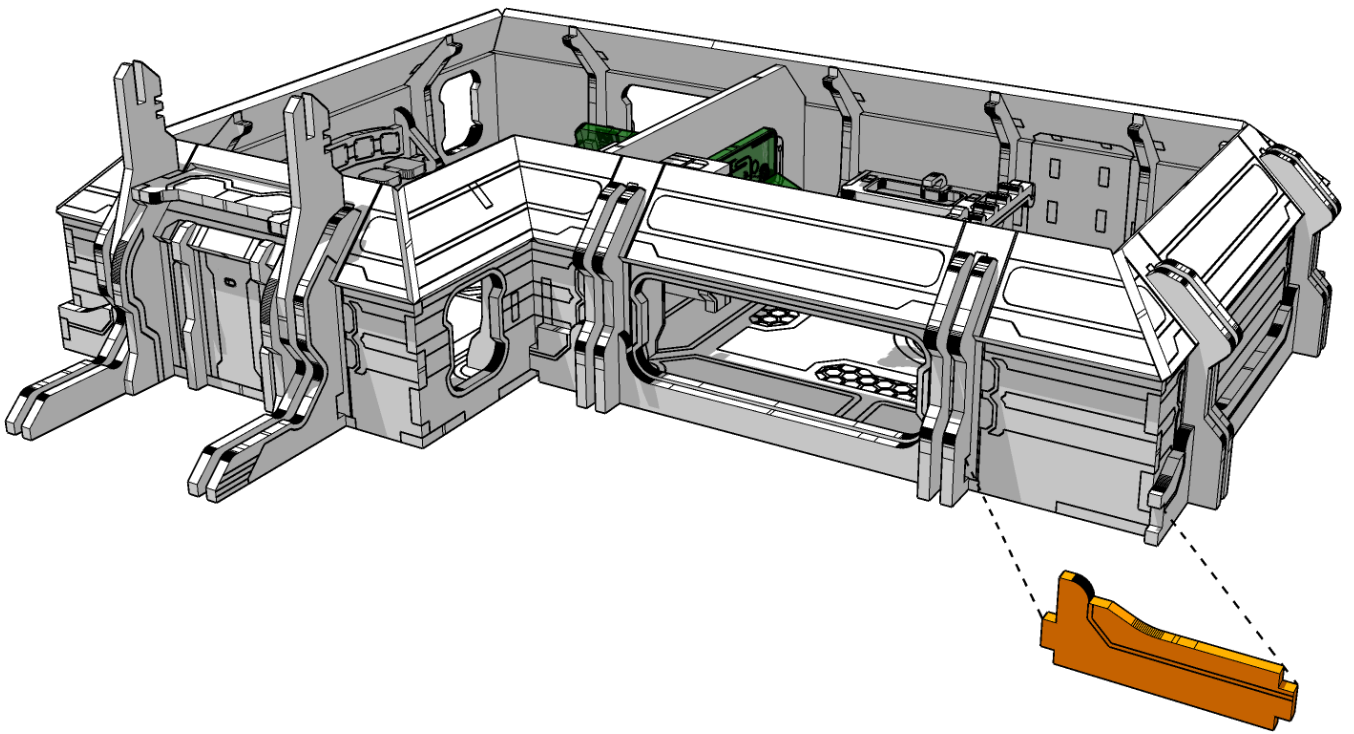




TABLETOP SCENICS

TTSCW-SFU-164
Street Wars:
Surgery

109

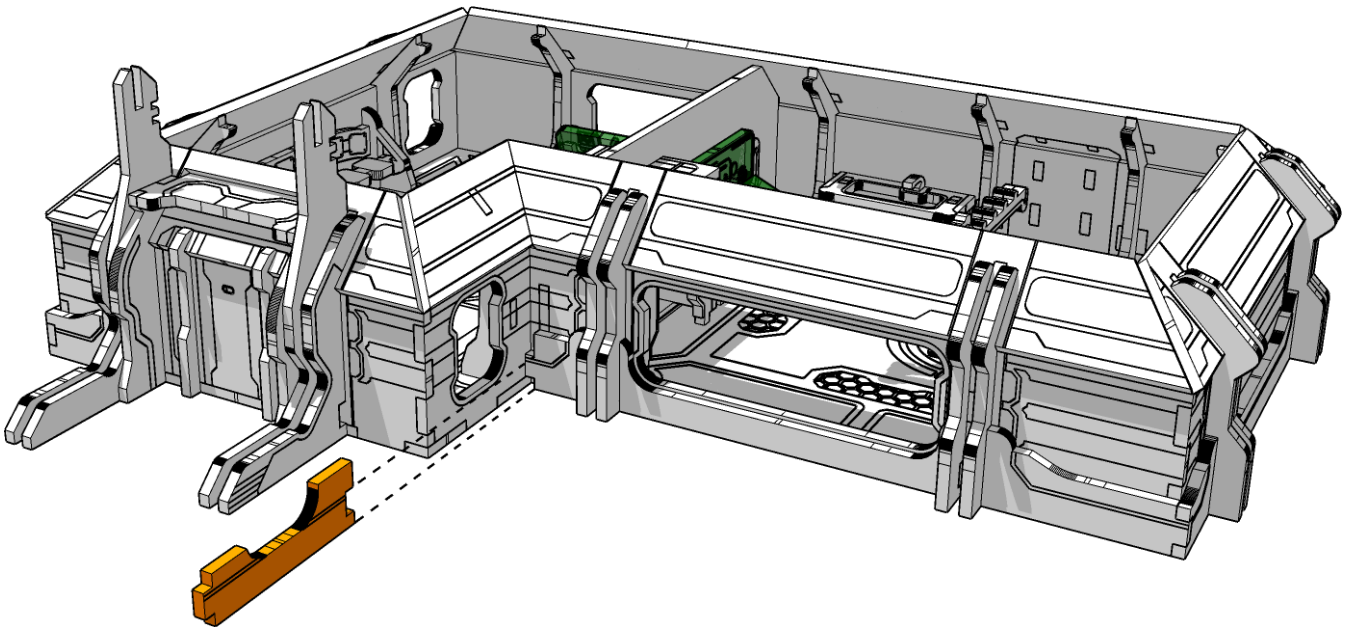




TABLETOP SCENICS

TTSCW-SFU-164
Street Wars:
Surgery

110

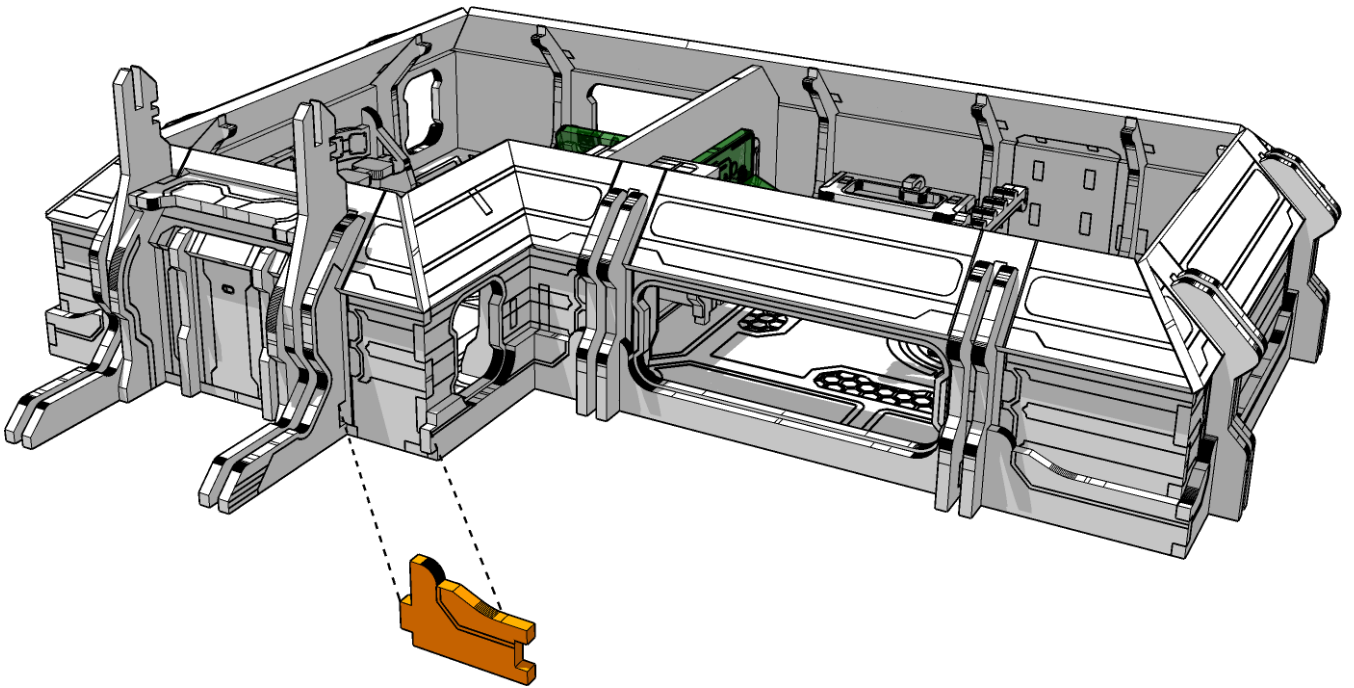




TABLETOP SCENICS

TTSCW-SFU-164
Street Wars:
Surgery

111

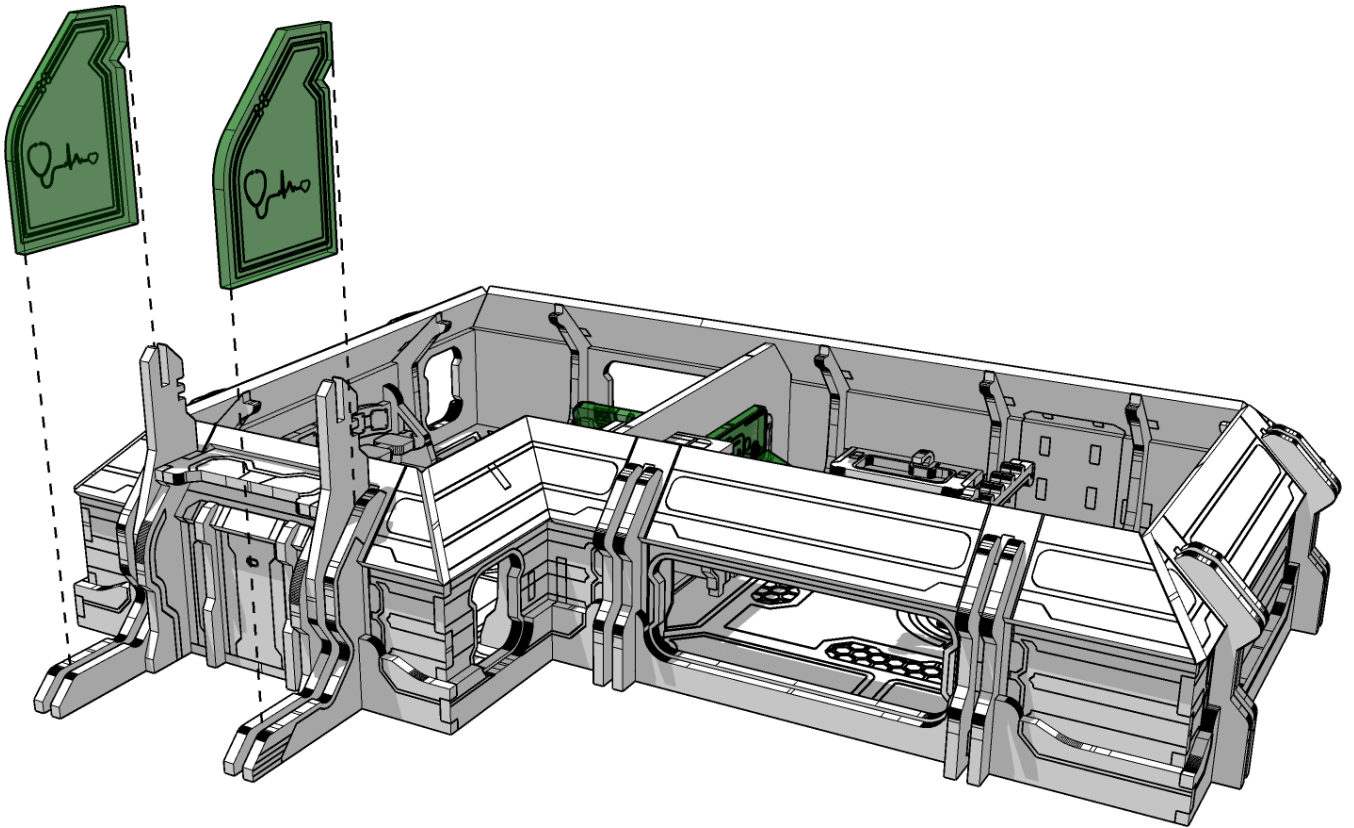




TABLETOP SCENICS

TTSCW-SFU-164
Street Wars:
Surgery

112

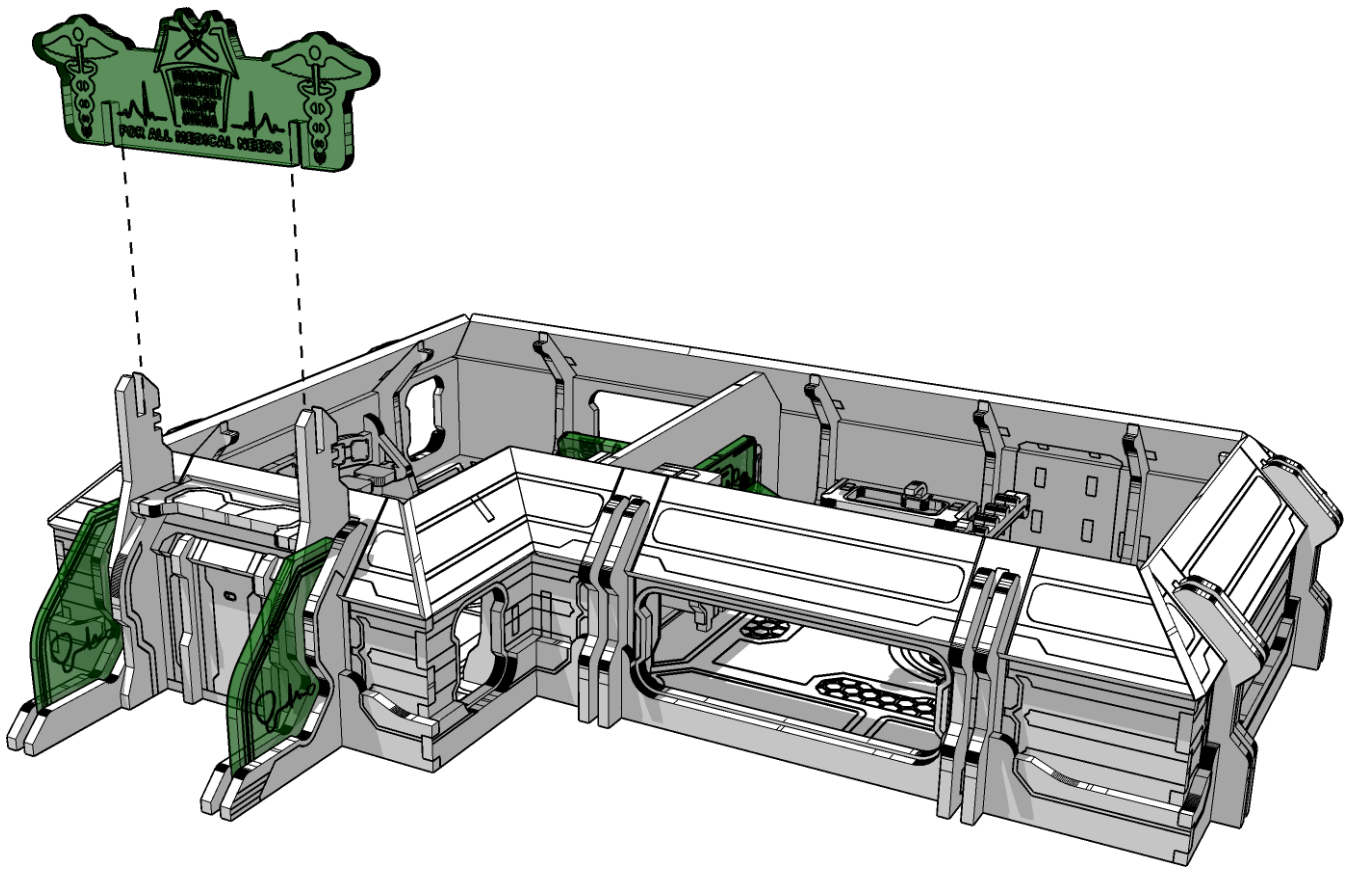




TABLETOP SCENICS

TTSCW-SFU-164
Street Wars:
Surgery

113

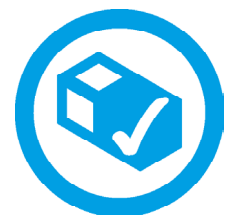
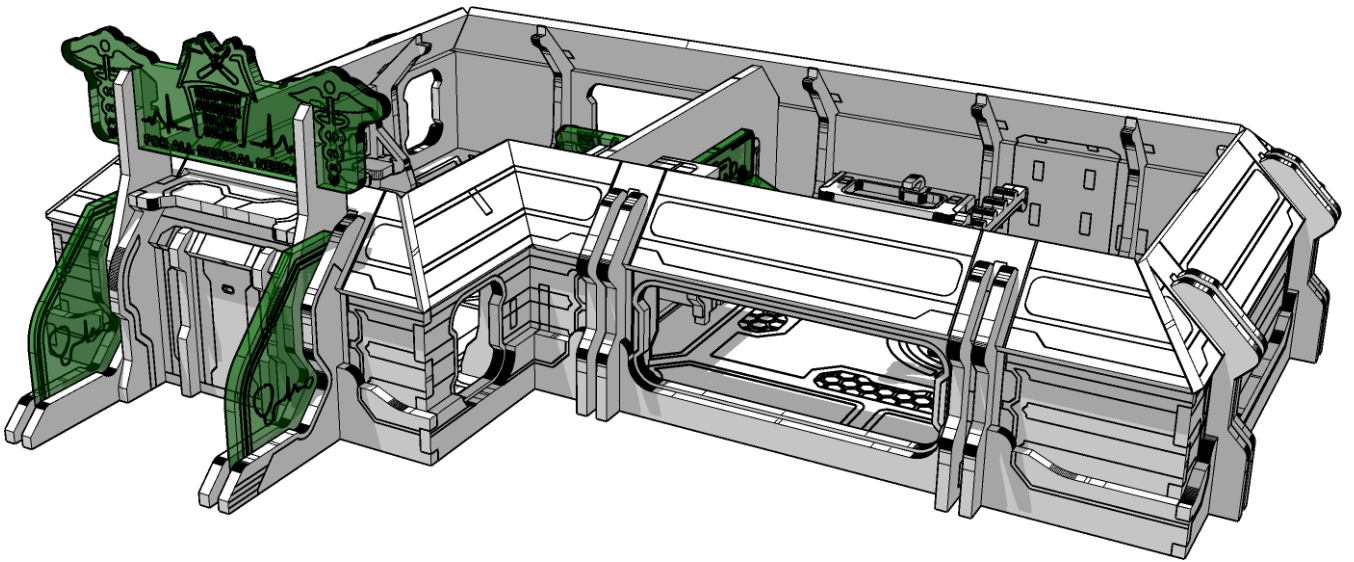




TABLETOP SCENICS

TTSCW-SFU-164
Street Wars:
Surgery

114



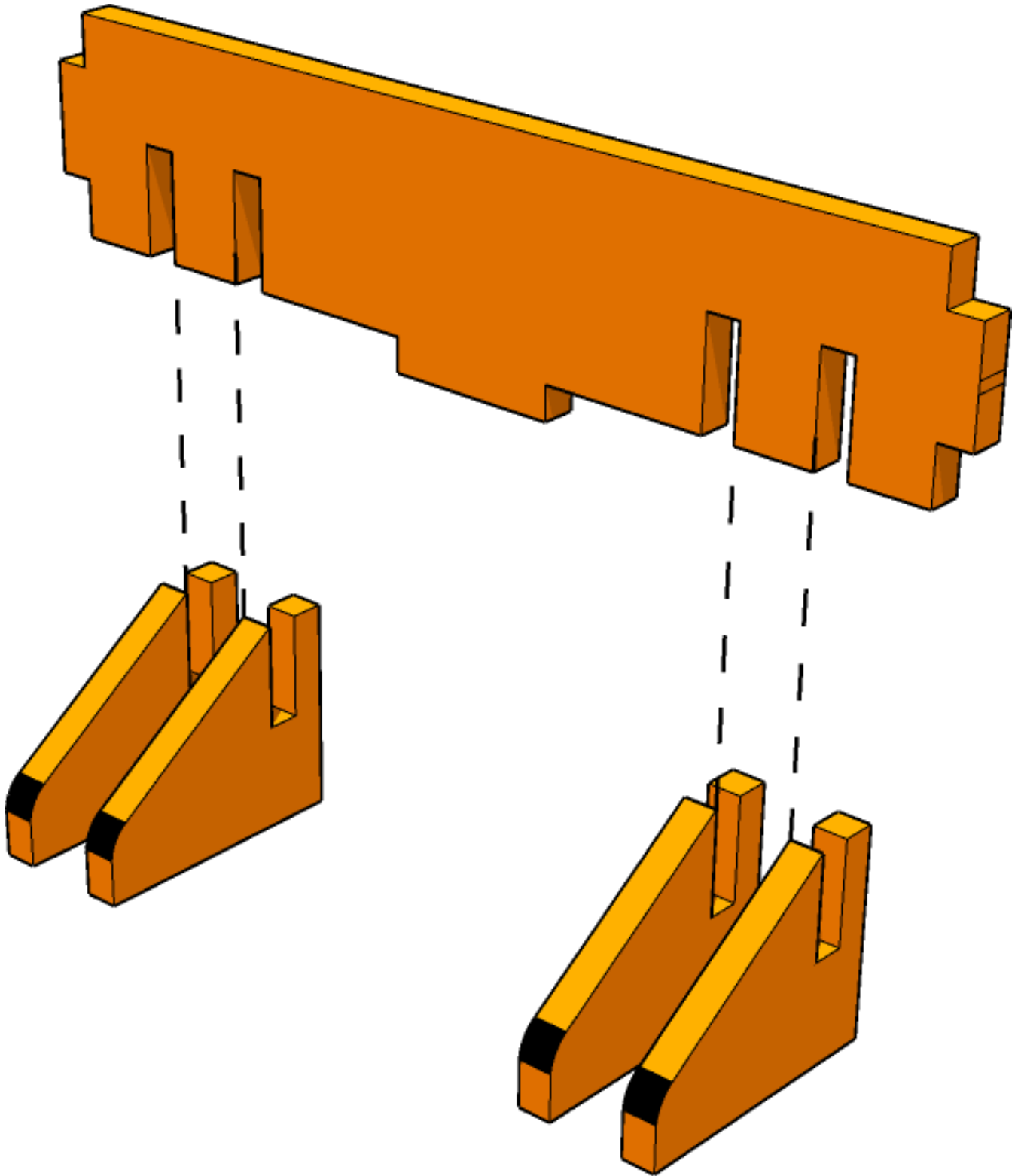
 **TTCOMBAT**



TABLETOP SCENICS

TTSCW-SFU-164
Street Wars:
Surgery

115

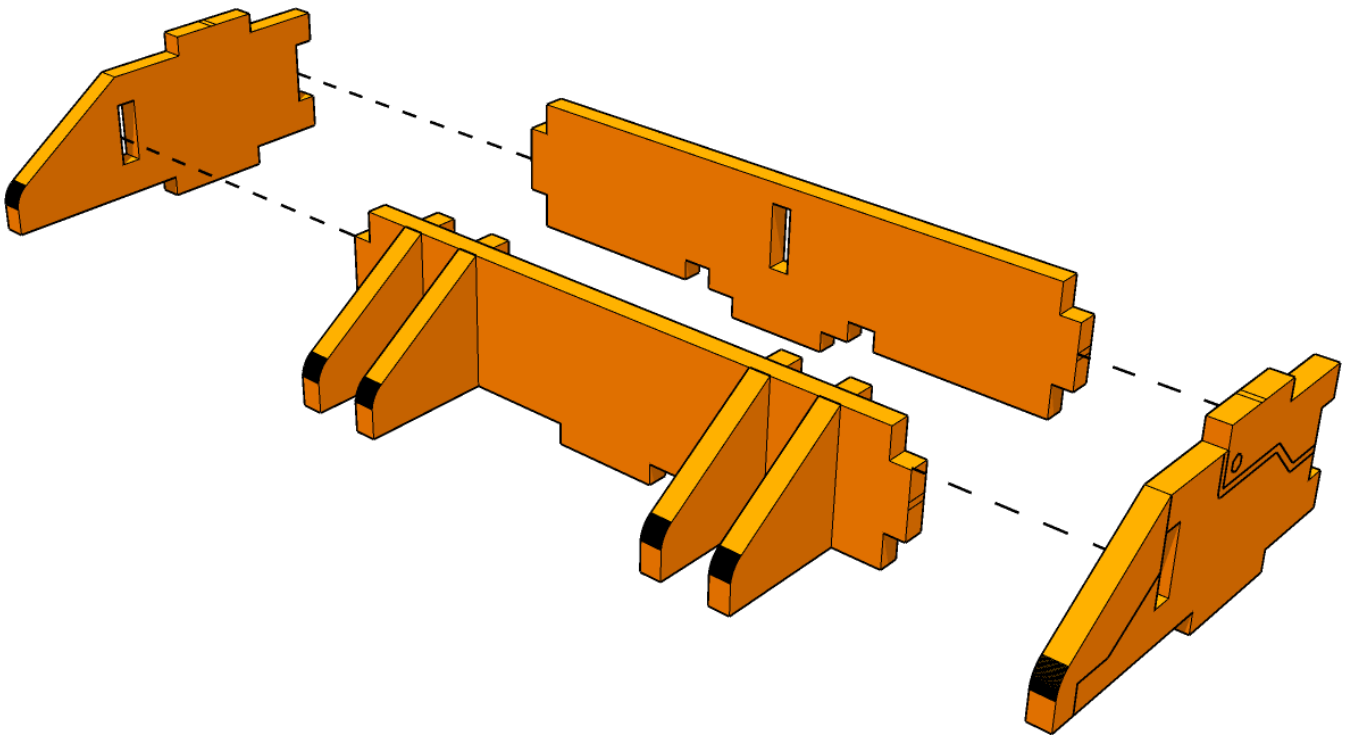




TABLETOP SCENICS

TTSCW-SFU-164
Street Wars:
Surgery

116

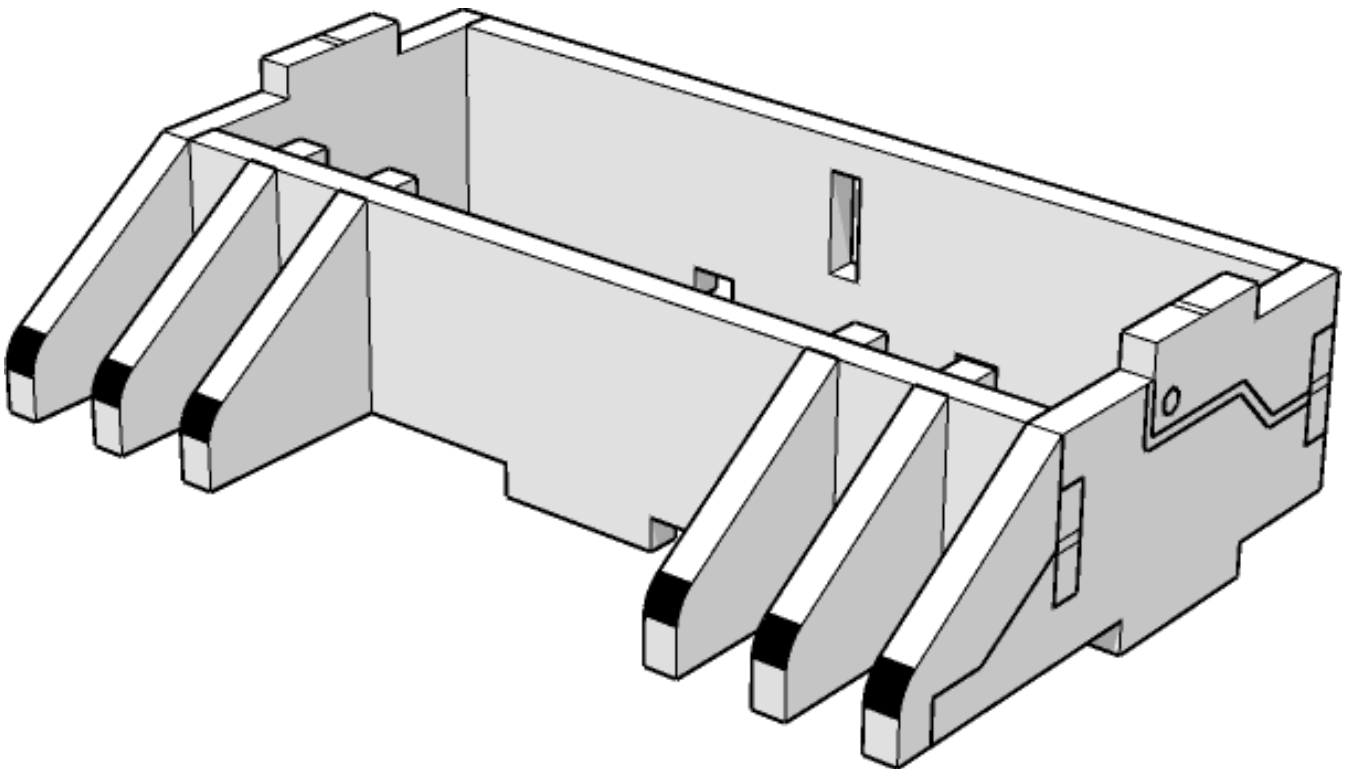




TABLETOP SCENICS

TTSCW-SFU-164
Street Wars:
Surgery

117

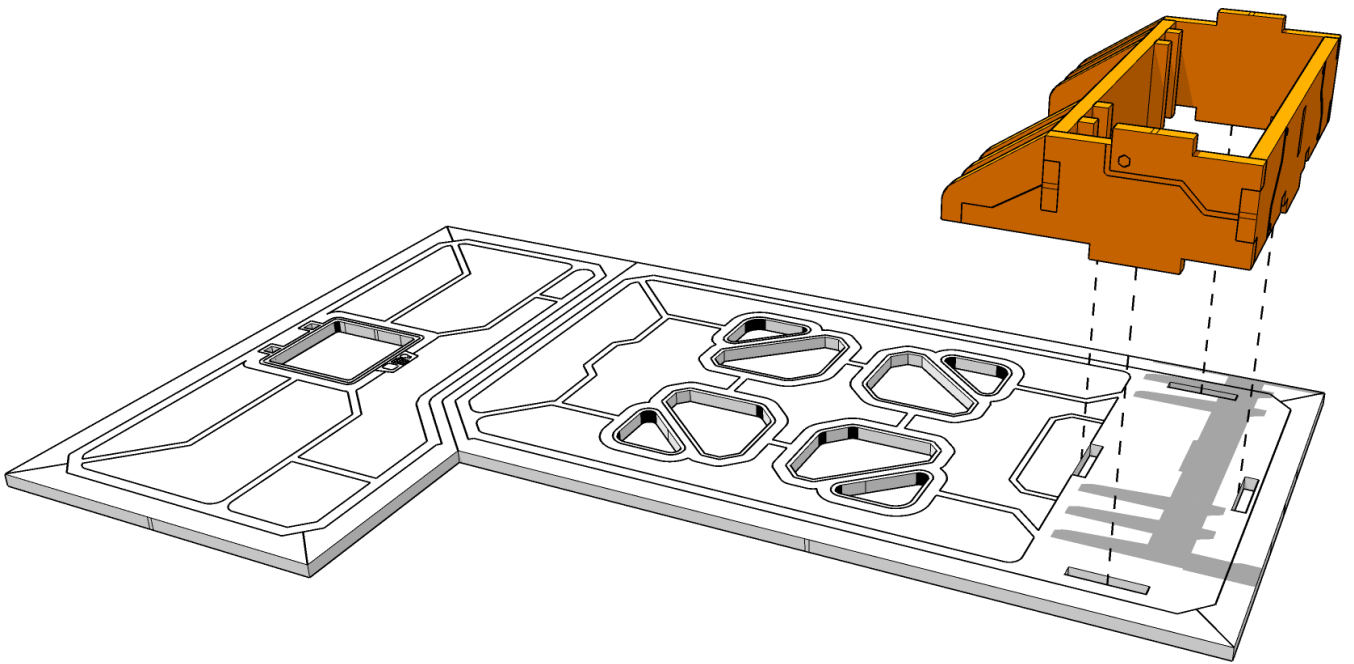




TABLETOP SCENICS

118

TTSCW-SFU-164
Street Wars:
Surgery

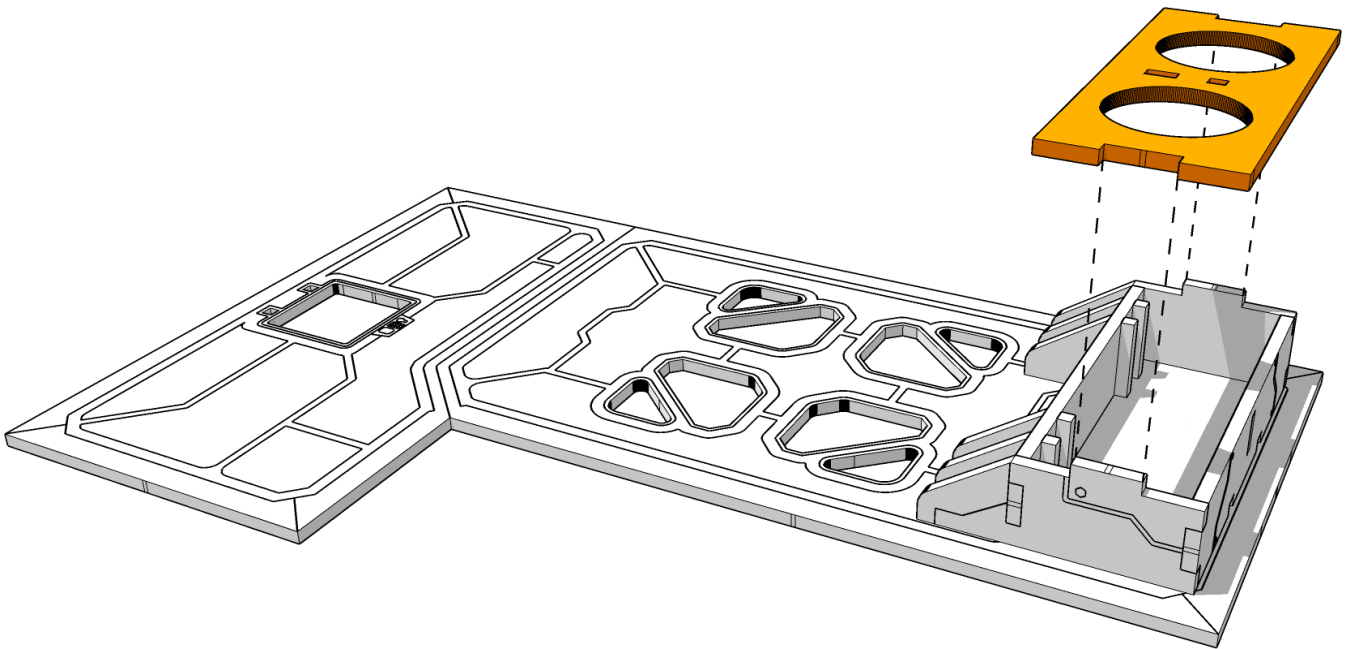




TABLETOP SCENICS

119

TTSCW-SFU-164
Street Wars:
Surgery

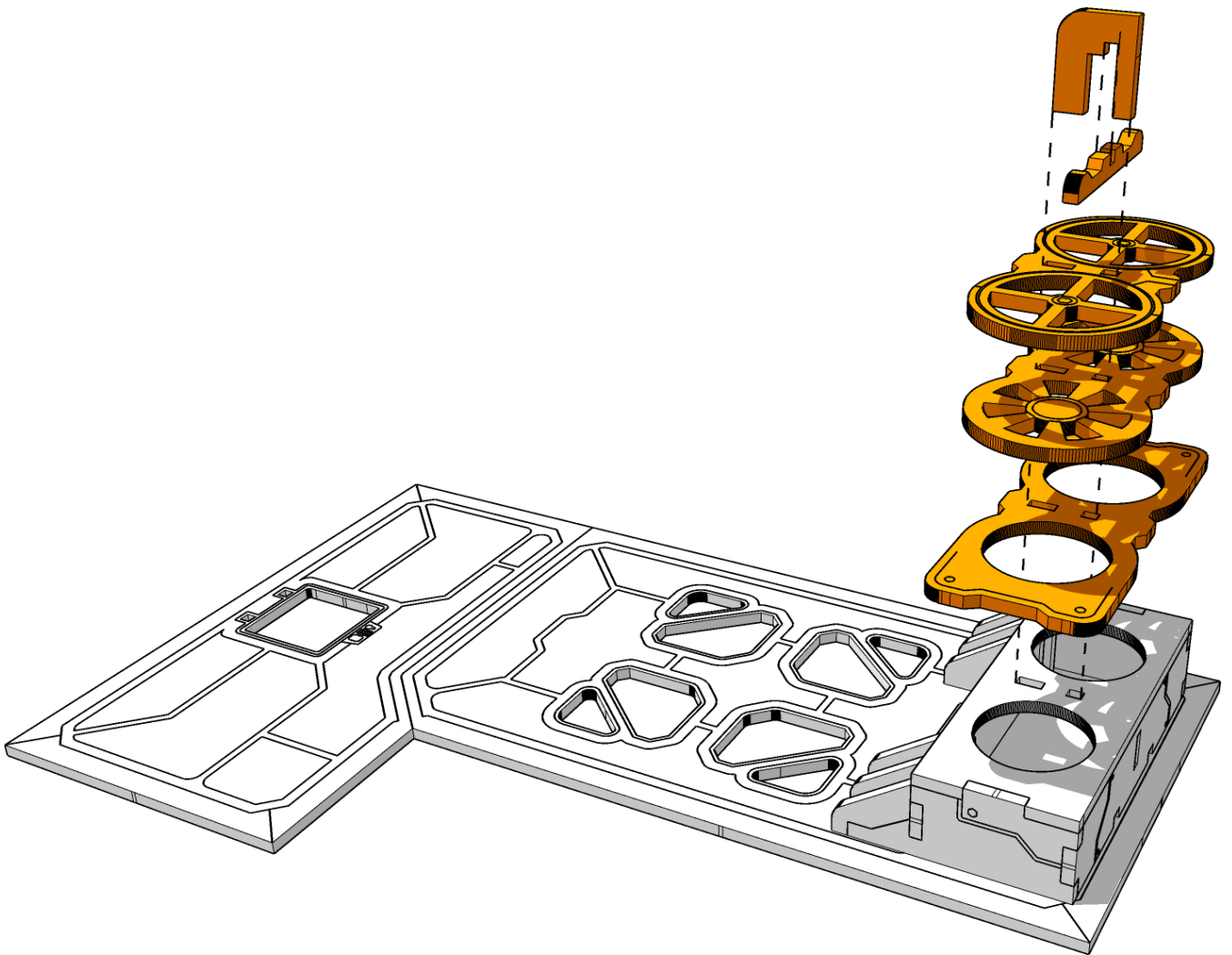




TABLETOP SCENICS

120

TTSCW-SFU-164
Street Wars:
Surgery

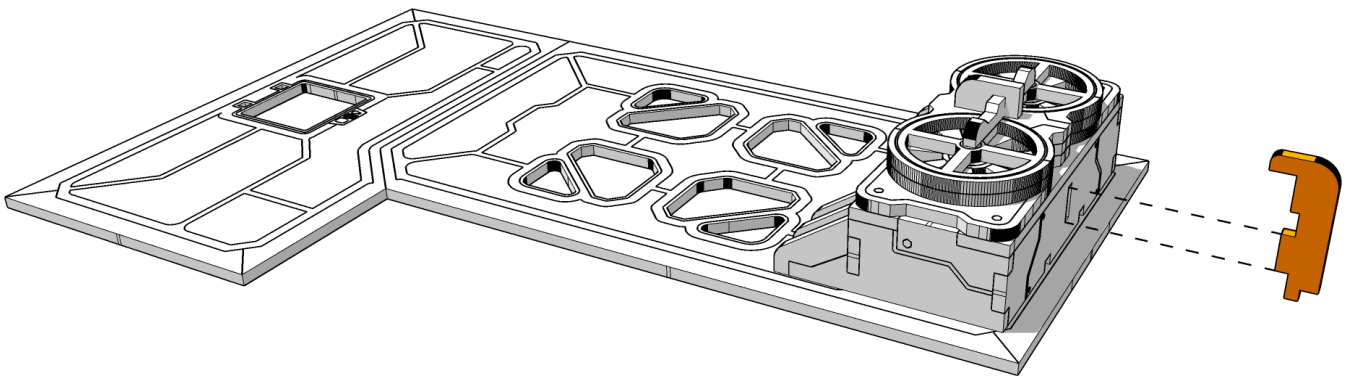




TABLETOP SCENICS

TTSCW-SFU-164
Street Wars:
Surgery

121

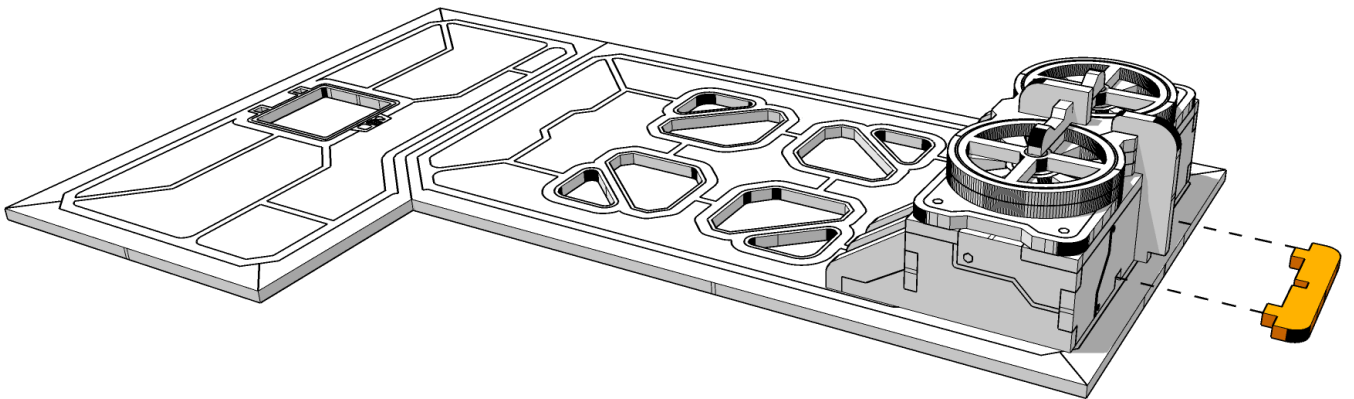




TABLETOP SCENICS

TTSCW-SFU-164
Street Wars:
Surgery

122

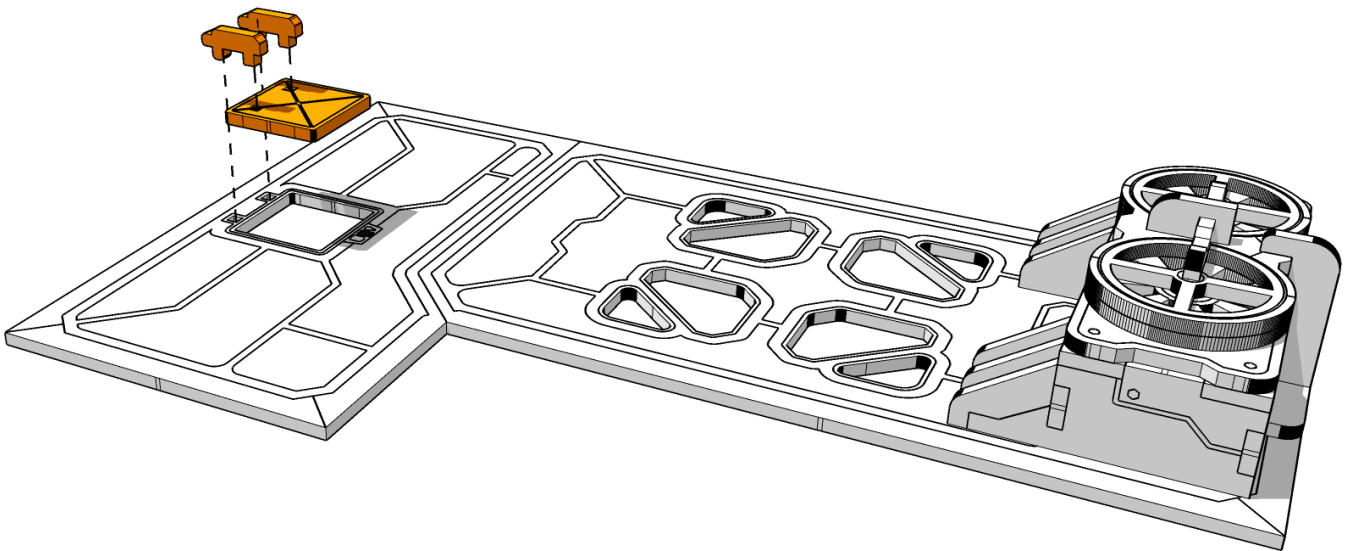




TABLETOP SCENICS

TTSCW-SFU-164
Street Wars:
Surgery

123



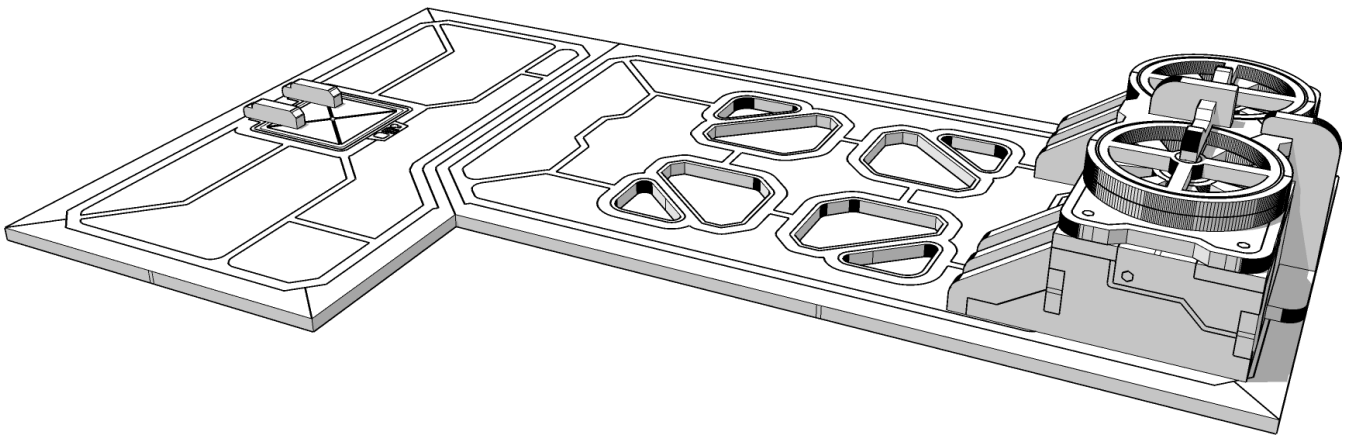
Hatch can be positioned open or closed



TABLETOP SCENICS

TTSCW-SFU-164
Street Wars:
Surgery

124

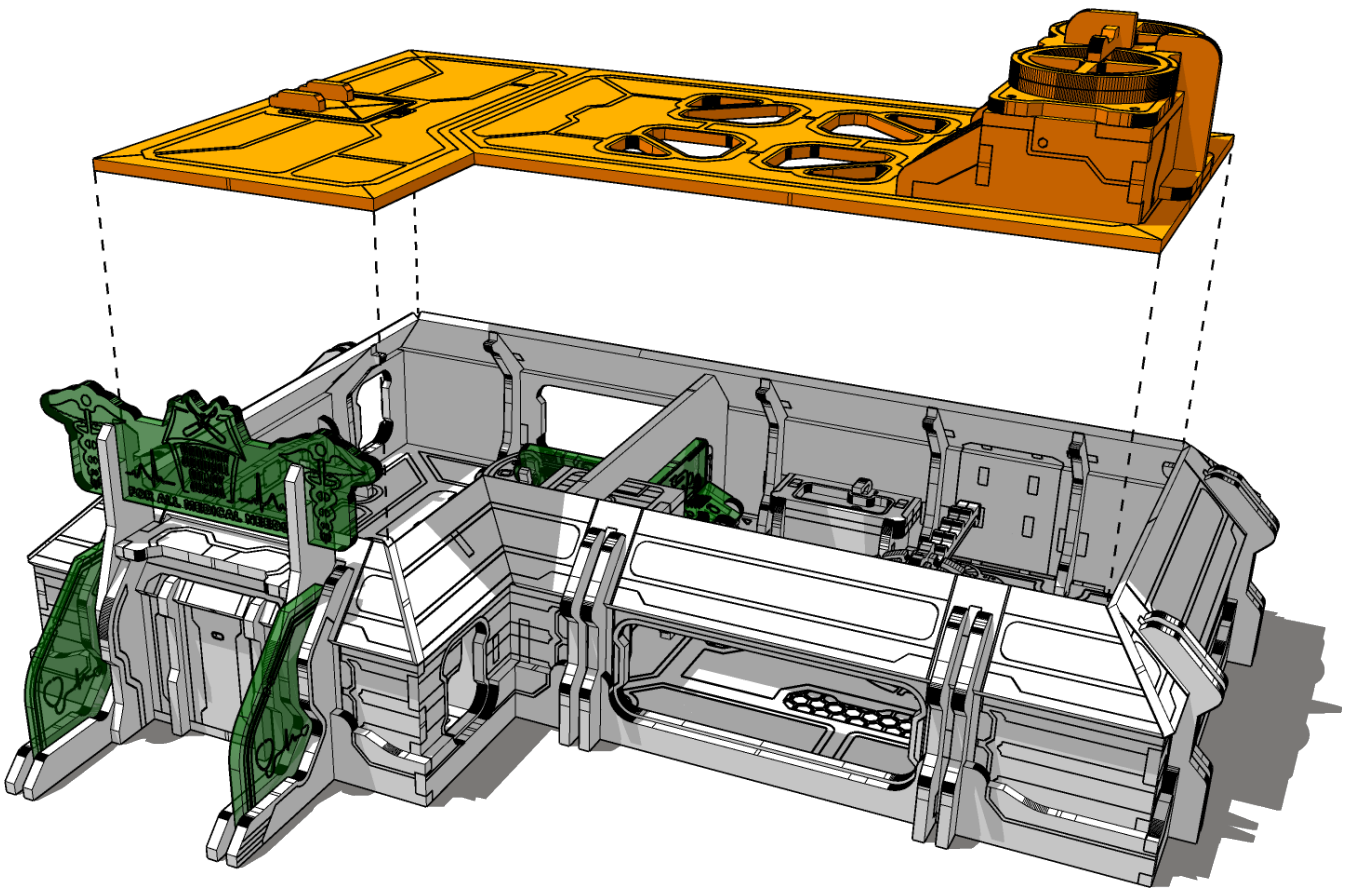




TABLETOP SCENICS

TTSCW-SFU-164
Street Wars:
Surgery

125





TABLETOP SCENICS

TTSCW-SFU-164
Street Wars:
Surgery

126

