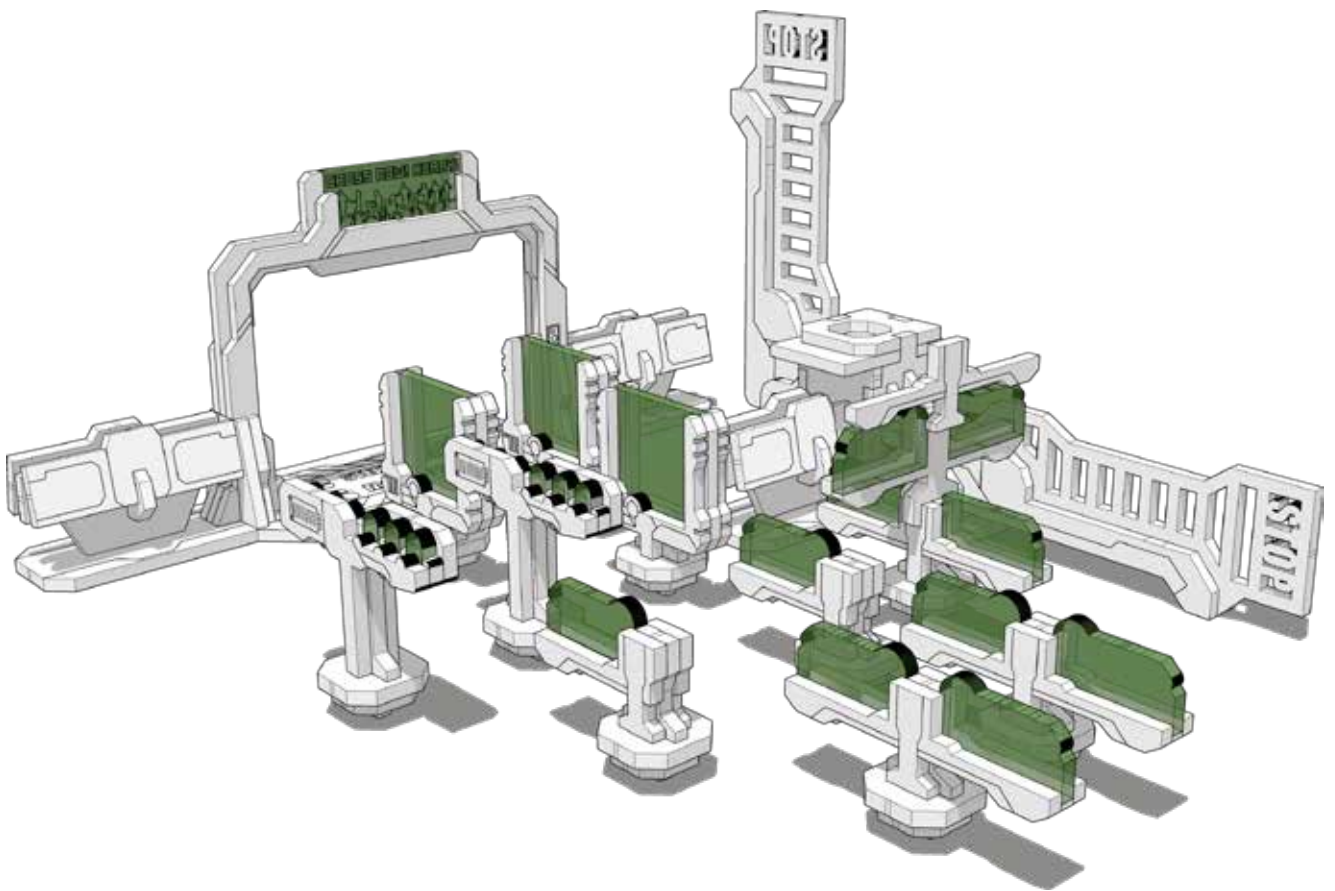




TABLETOP SCENICS

TTSCW-SFU-160 Slab Street Accessories



 **TTCOMBAT**



TABLETOP SCENICS

TTSCW-SFU-160
Slab Street
Accessories

2

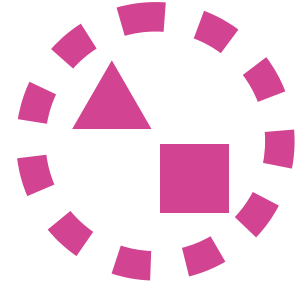
These are a series of icons that may be used throughout the instructions to help your assembly.
If in doubt, scroll ahead to confirm.



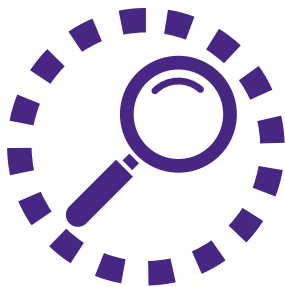
Do not glue this part



Carefully score and
fold this part



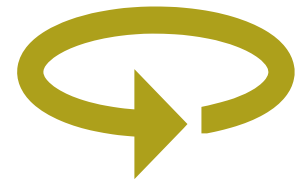
This part - or its placement is
completely optional



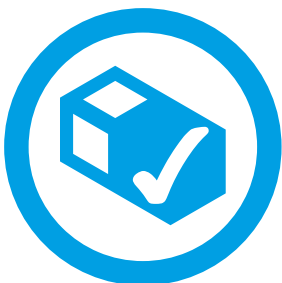
Look closely at this step -
The process order or part
used, may be specific



Repeat making this part
the specified number
of times



The next instruction step
will be the same assembly
so far, but from a different
angle



Sub-assembly complete.
This smaller construction
is ready to add to the
main kit



Assembly Complete! There
could be more optional
parts - check to the very end
of instructions



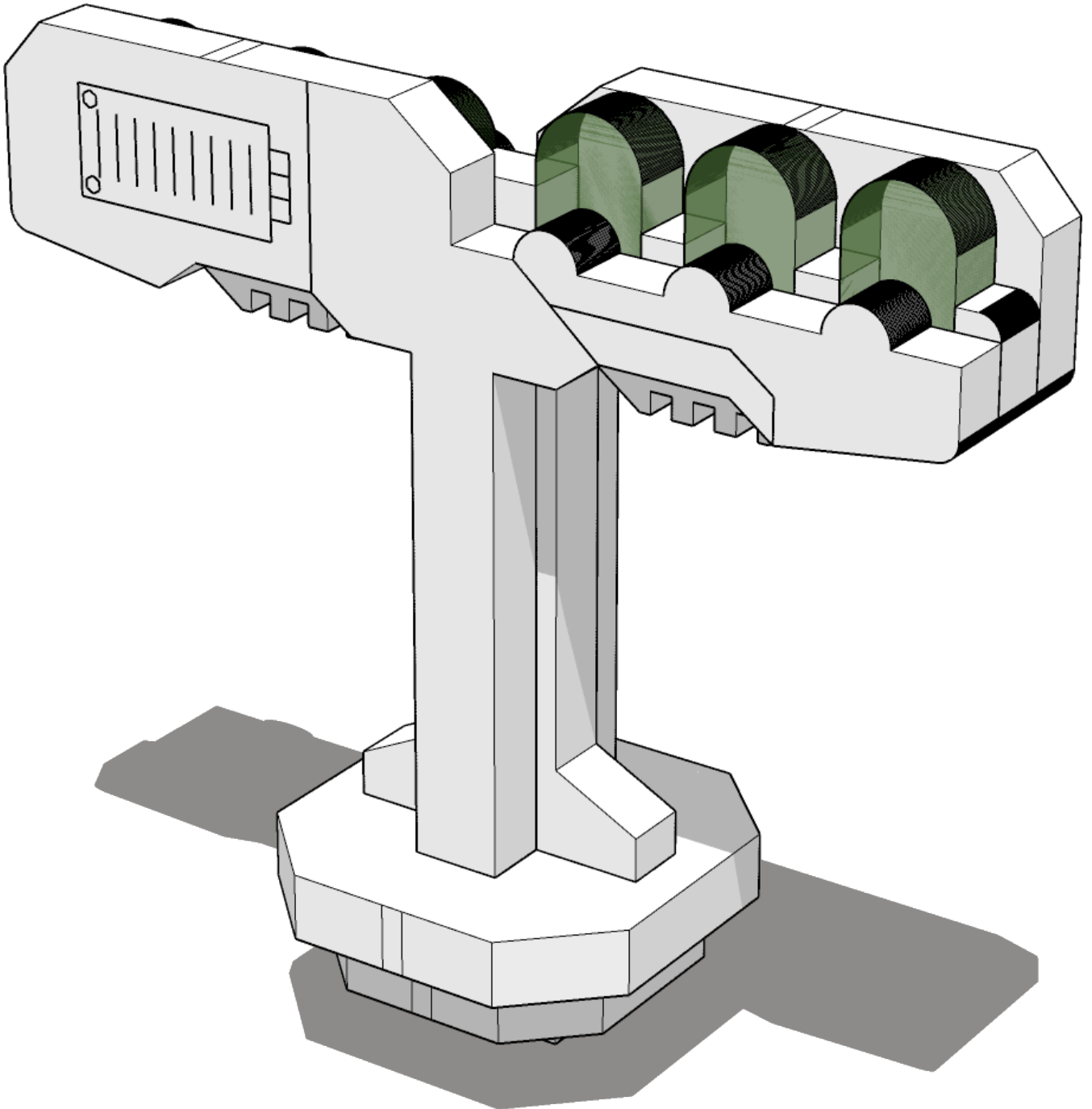
FRAGILE: DO NOT BEND.
“Bendy wood” is designed to
curve around a designed
frame only.



TABLETOP SCENICS

TTSCW-SFU-160
Slab Street
Accessories

3

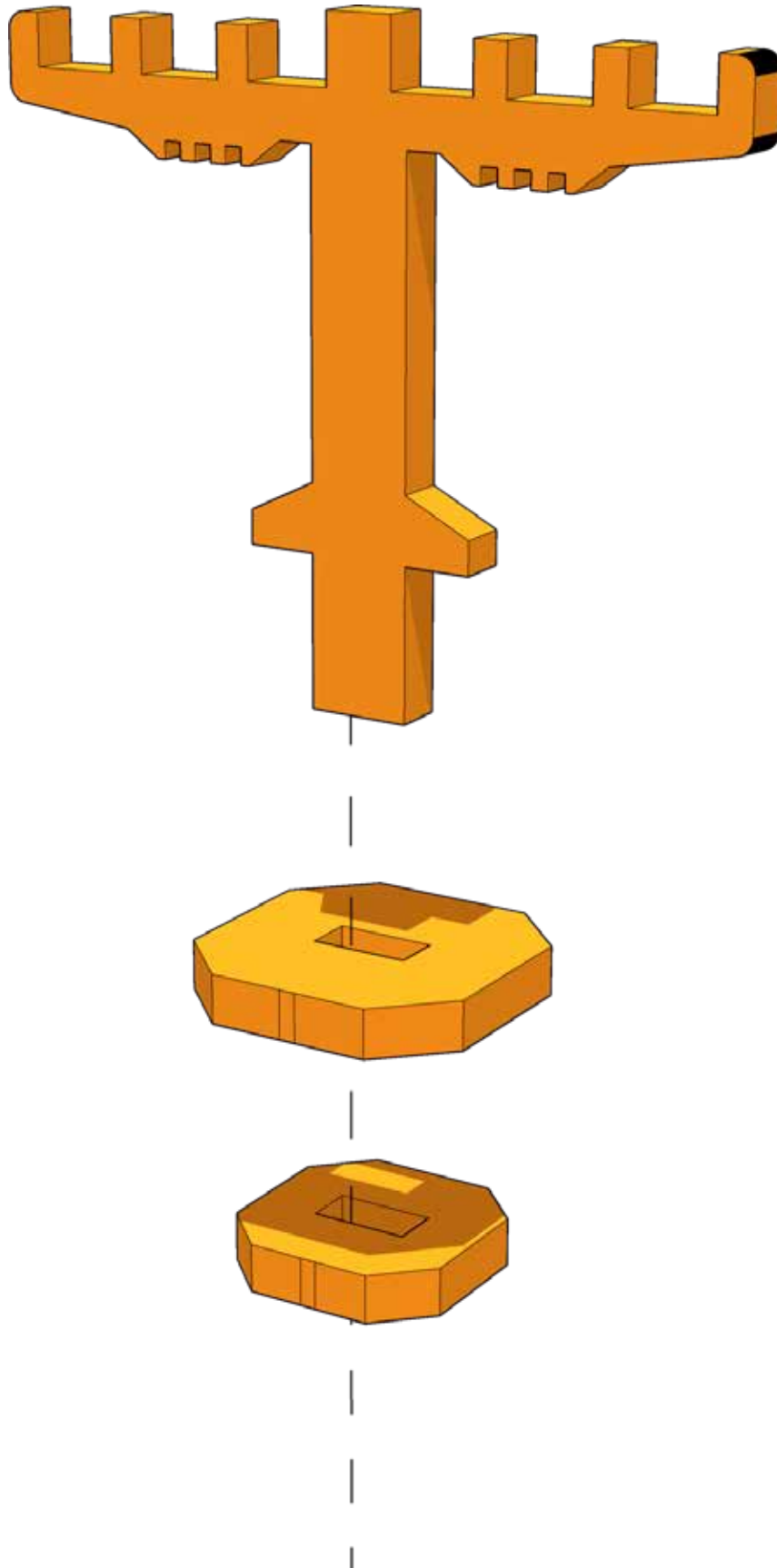




TABLETOP SCENICS

TTSCW-SFU-160
Slab Street
Accessories

4

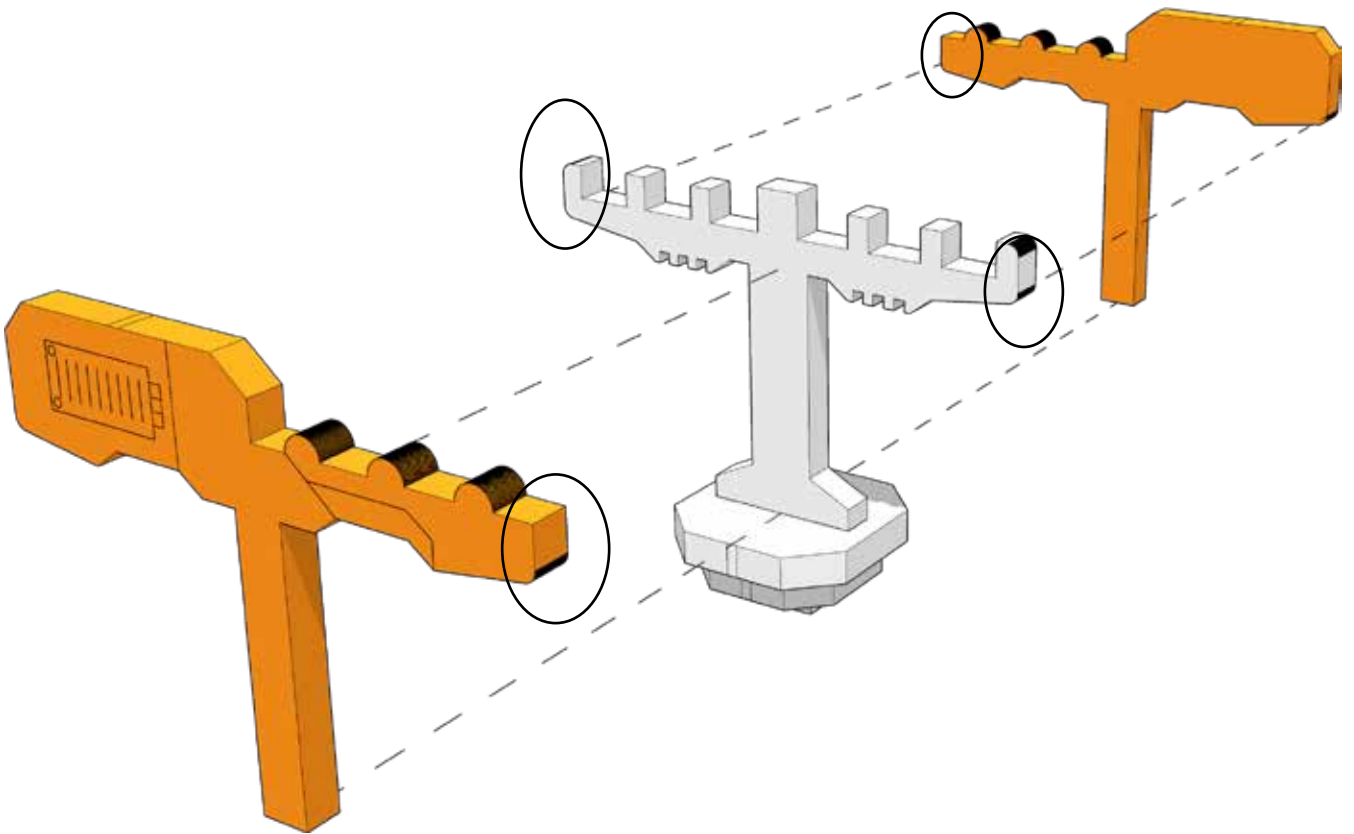




TABLETOP SCENICS

TTSCW-SFU-160
Slab Street
Accessories

5



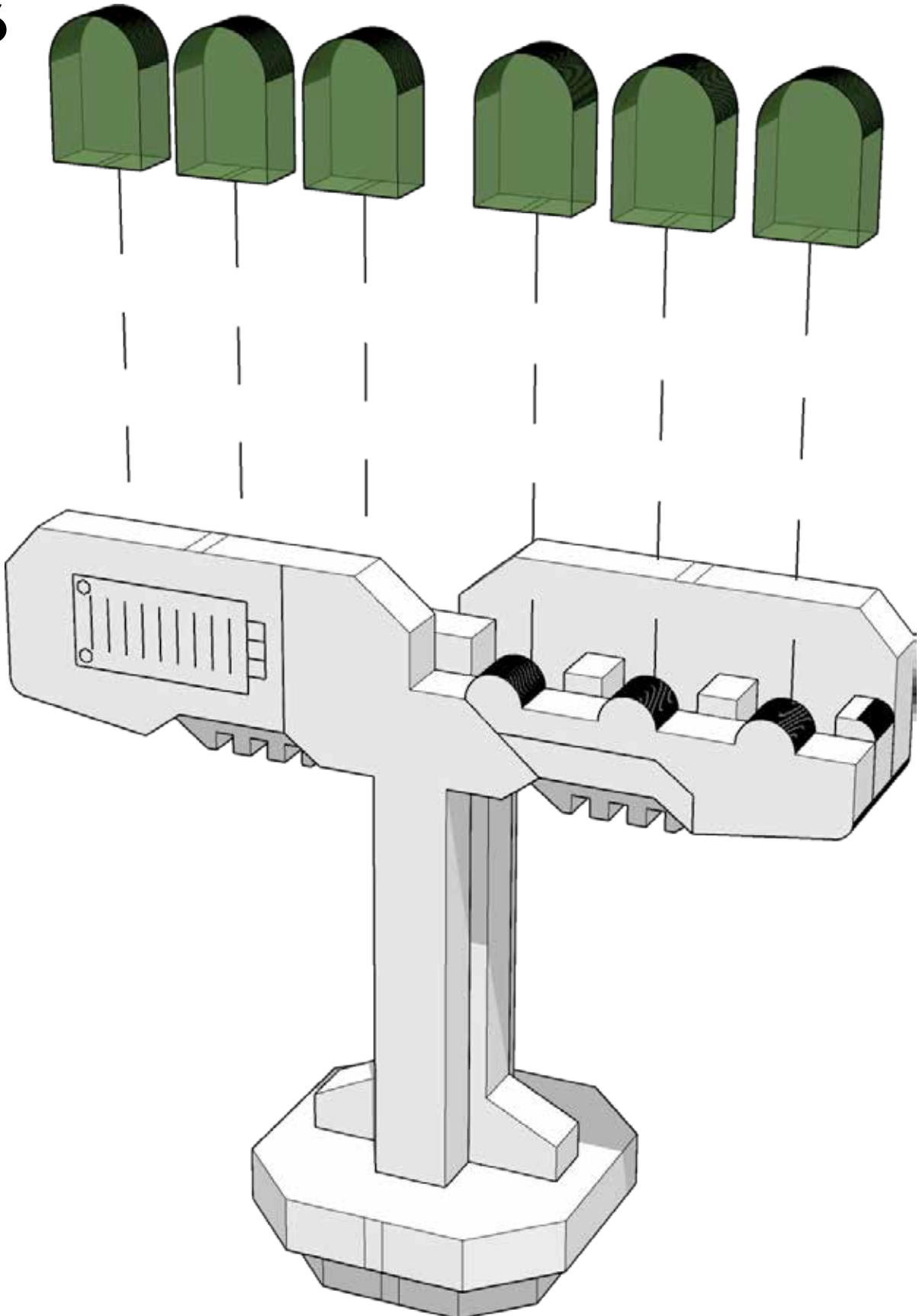
Align edges (circled) to centre the highlighted parts. See next step if unsure



TABLETOP SCENICS

TTSCW-SFU-160
Slab Street
Accessories

6

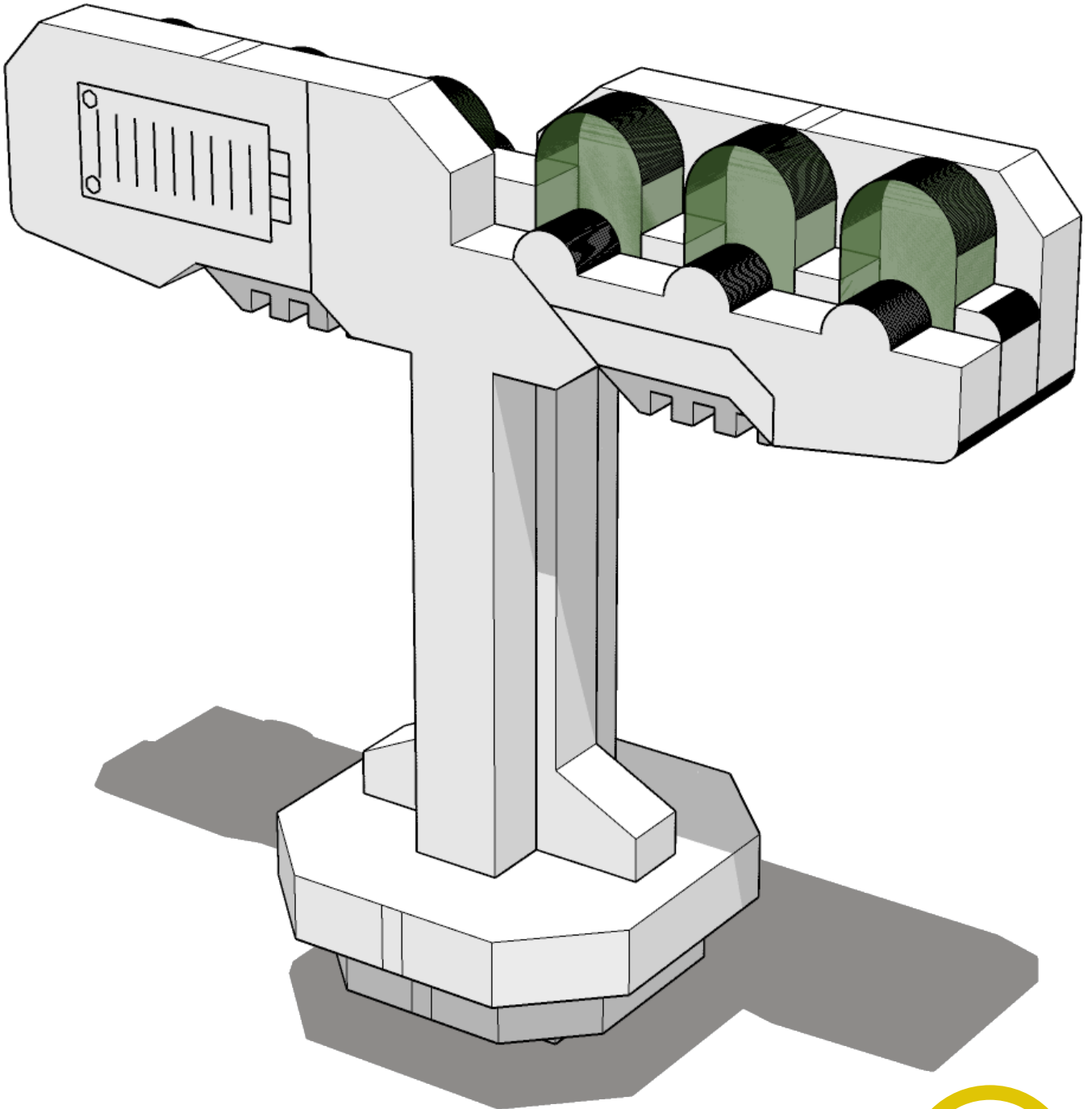




TABLETOP SCENICS

TTSCW-SFU-160
Slab Street
Accessories

7



x2

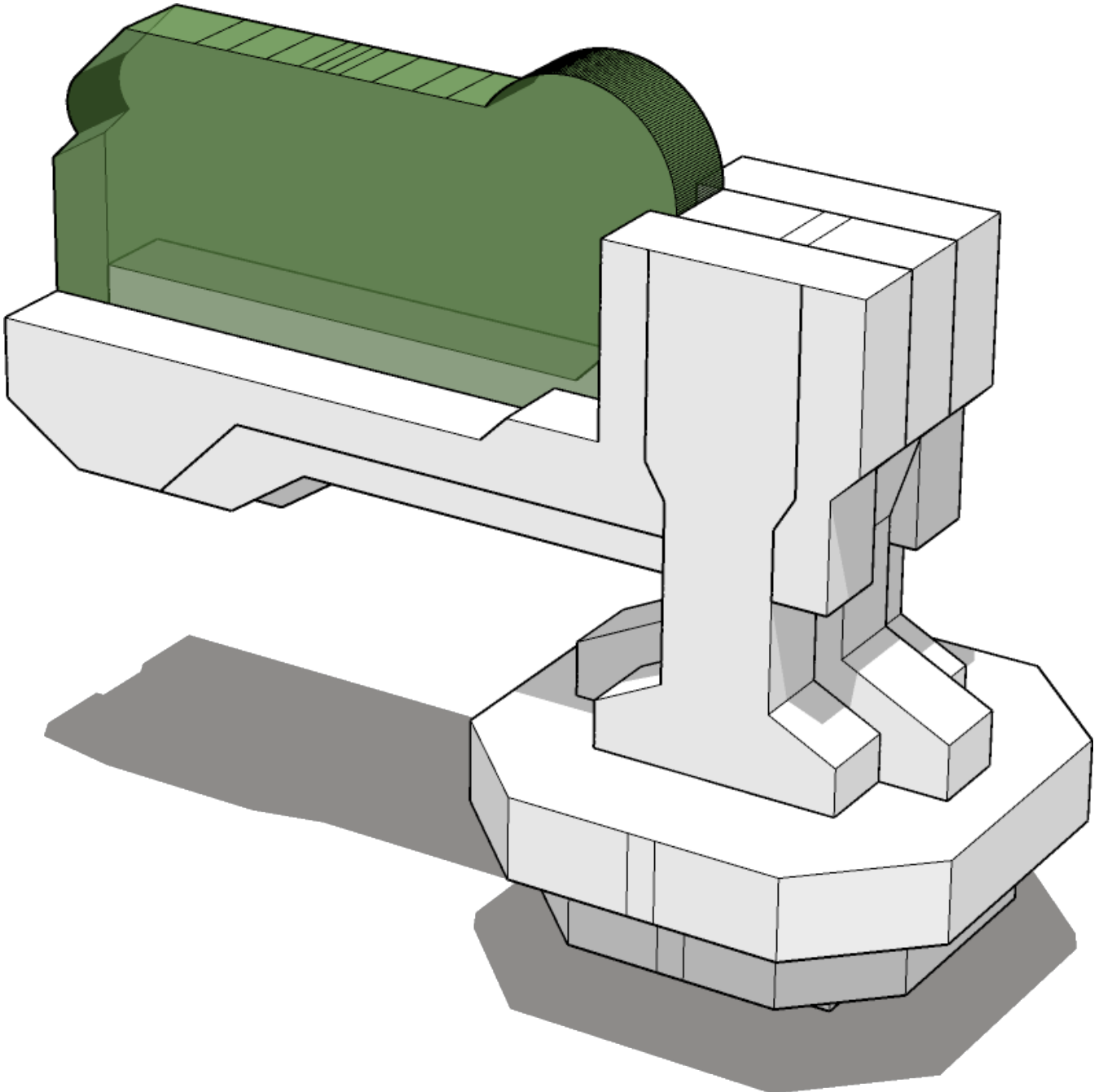
 **TTCOMBAT**



TABLETOP SCENICS

TTSCW-SFU-160
Slab Street
Accessories

8

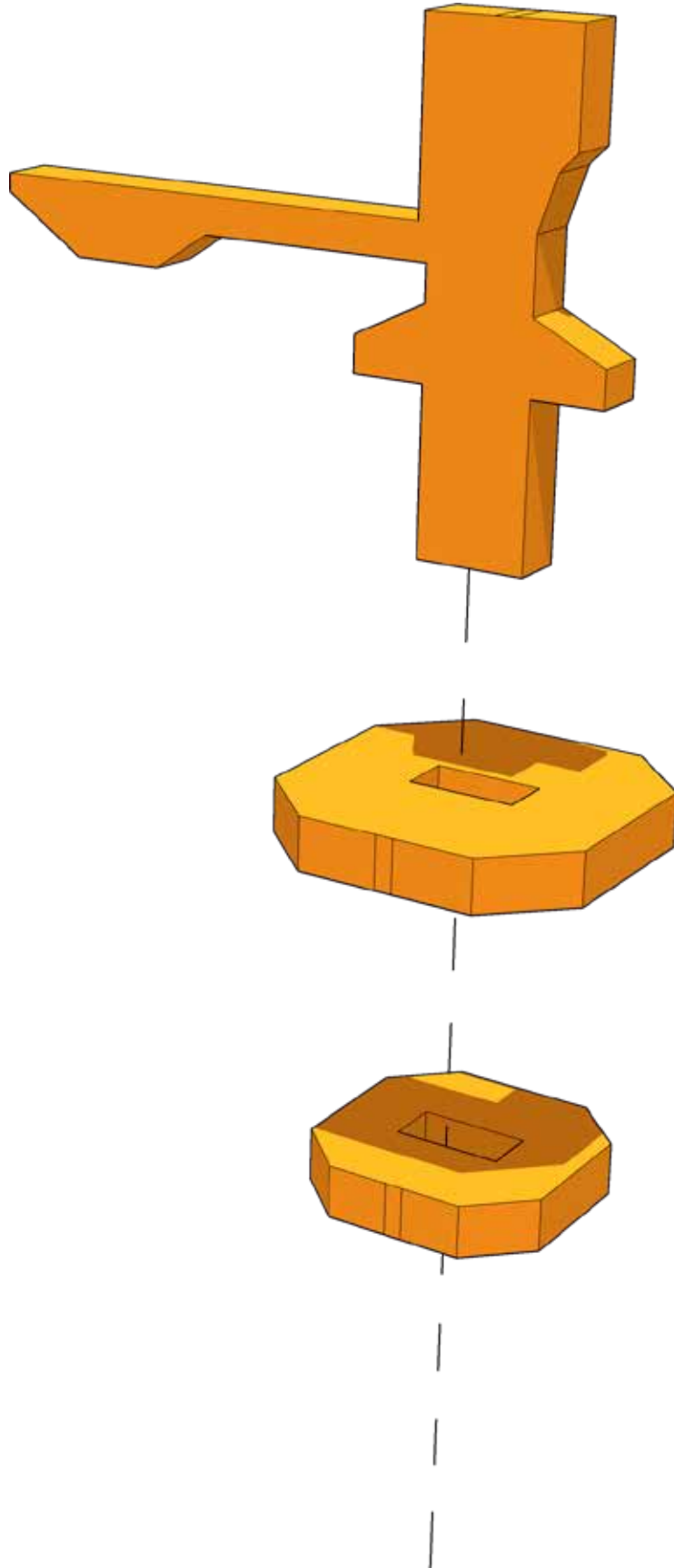




TABLETOP SCENICS

TTSCW-SFU-160
Slab Street
Accessories

9

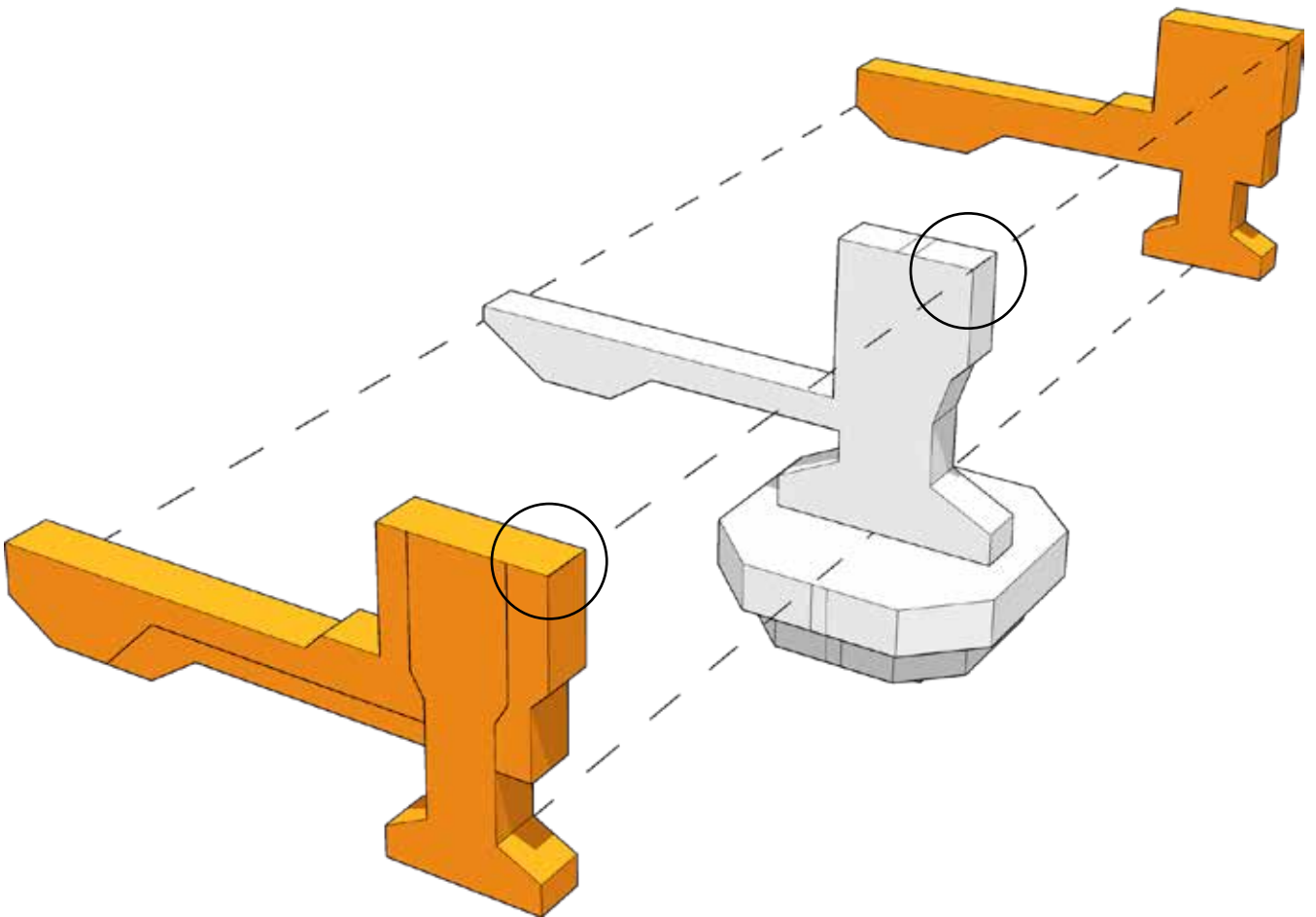




TABLETOP SCENICS

TTSCW-SFU-160
Slab Street
Accessories

10



Aligned edges (circled) to position
highlighted parts correctly. See next step if unsure

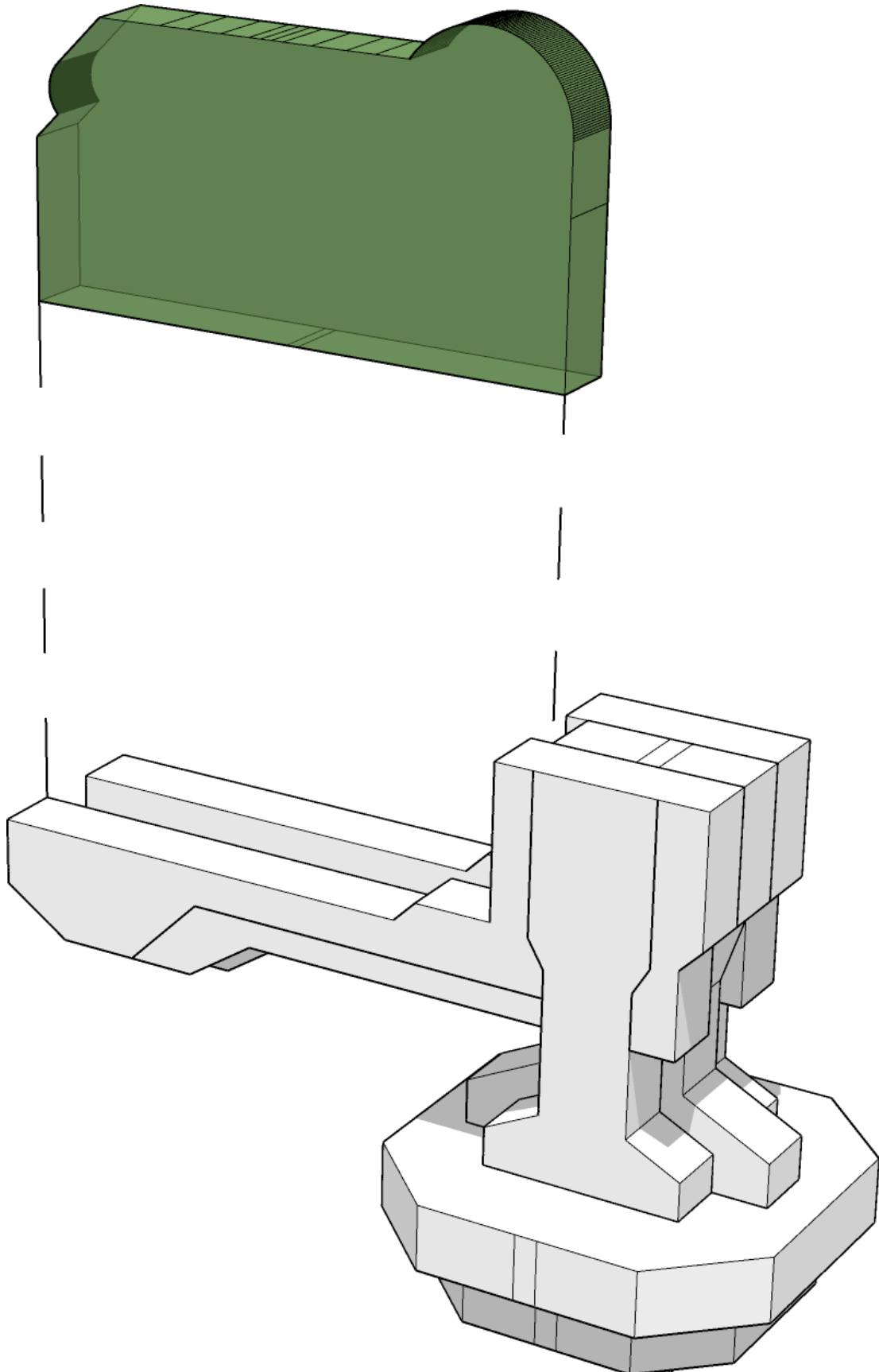




TABLETOP SCENICS

TTSCW-SFU-160
Slab Street
Accessories

11



Any acrylic can be used so long as this shape is
matched

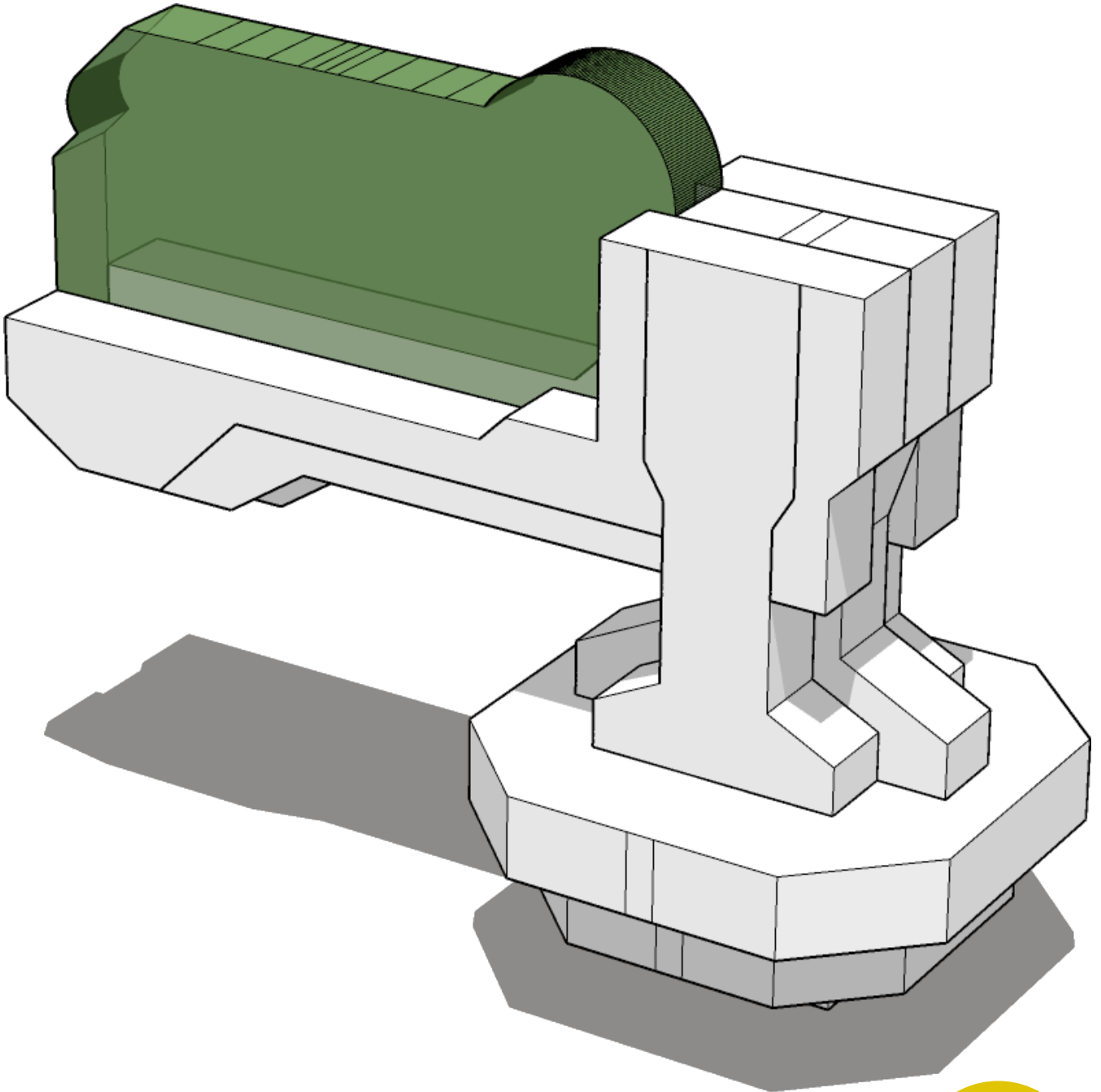




TABLETOP SCENICS

TTSCW-SFU-160
Slab Street
Accessories

12



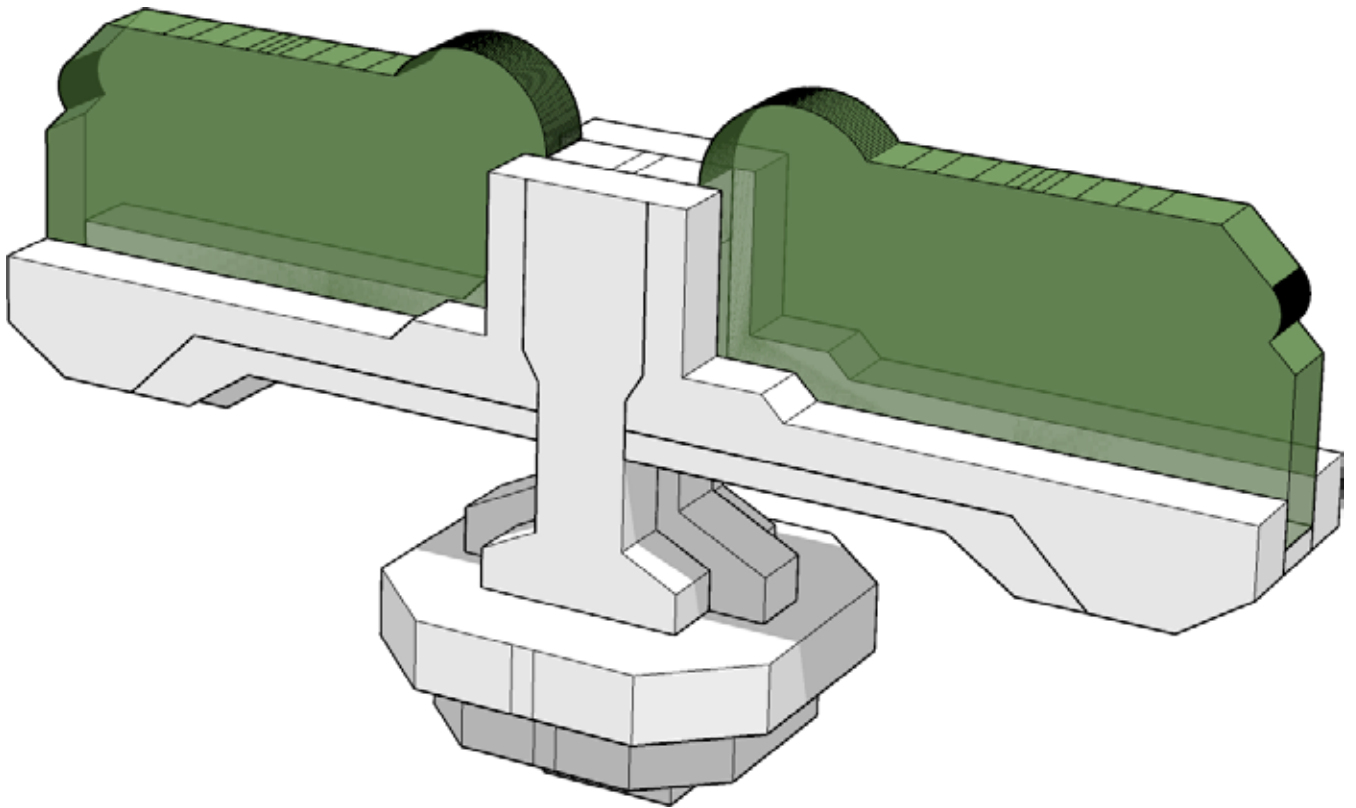
x2



TABLETOP SCENICS

TTSCW-SFU-160
Slab Street
Accessories

13

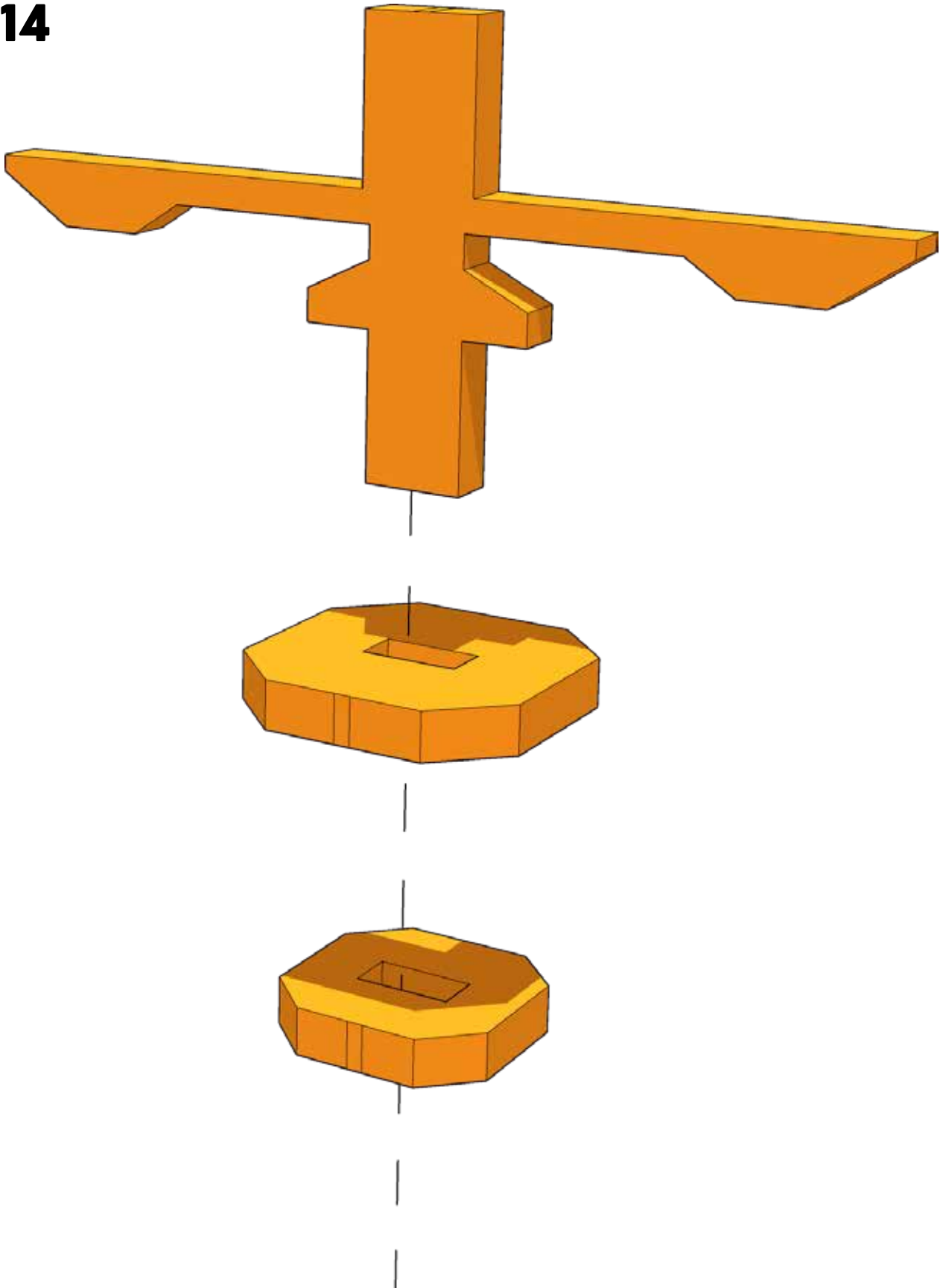




TABLETOP SCENICS

TTSCW-SFU-160
Slab Street
Accessories

14

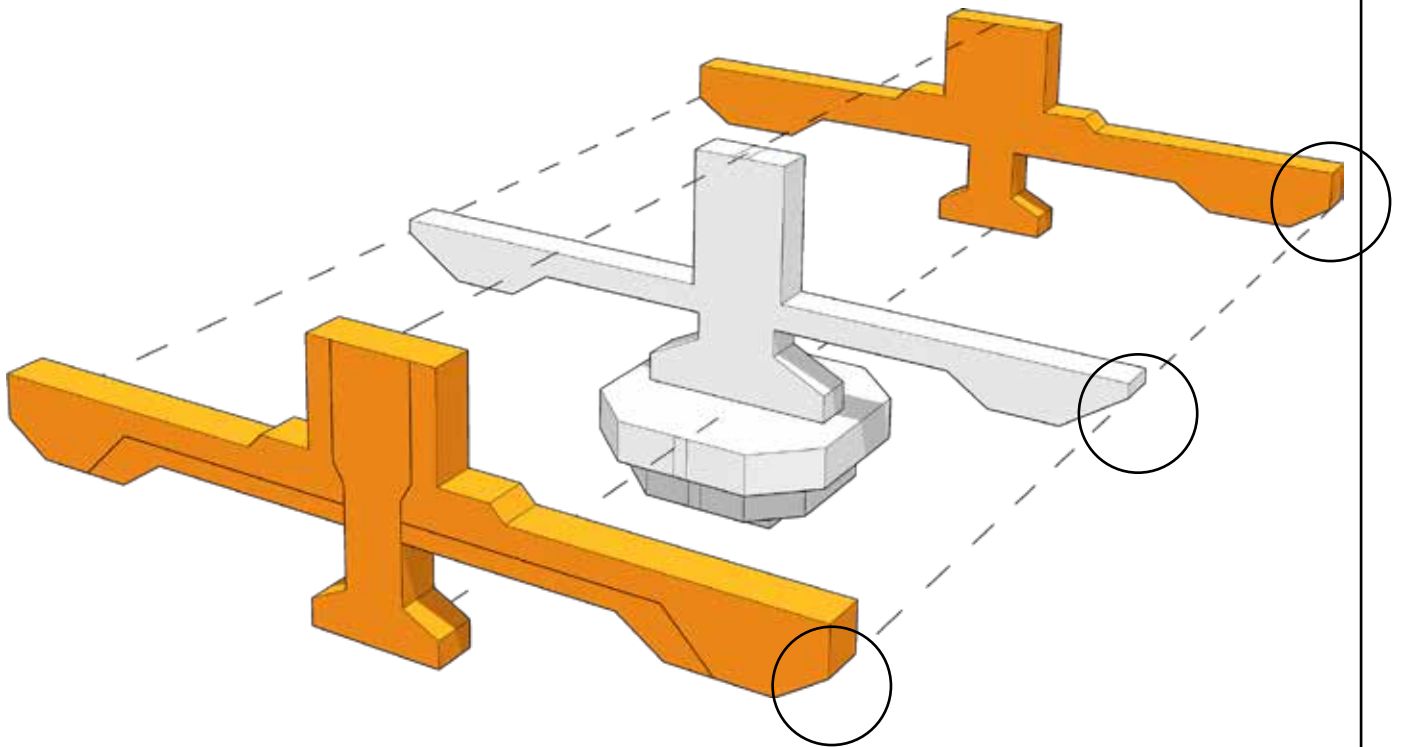




TABLETOP SCENICS

TTSCW-SFU-160
Slab Street
Accessories

15



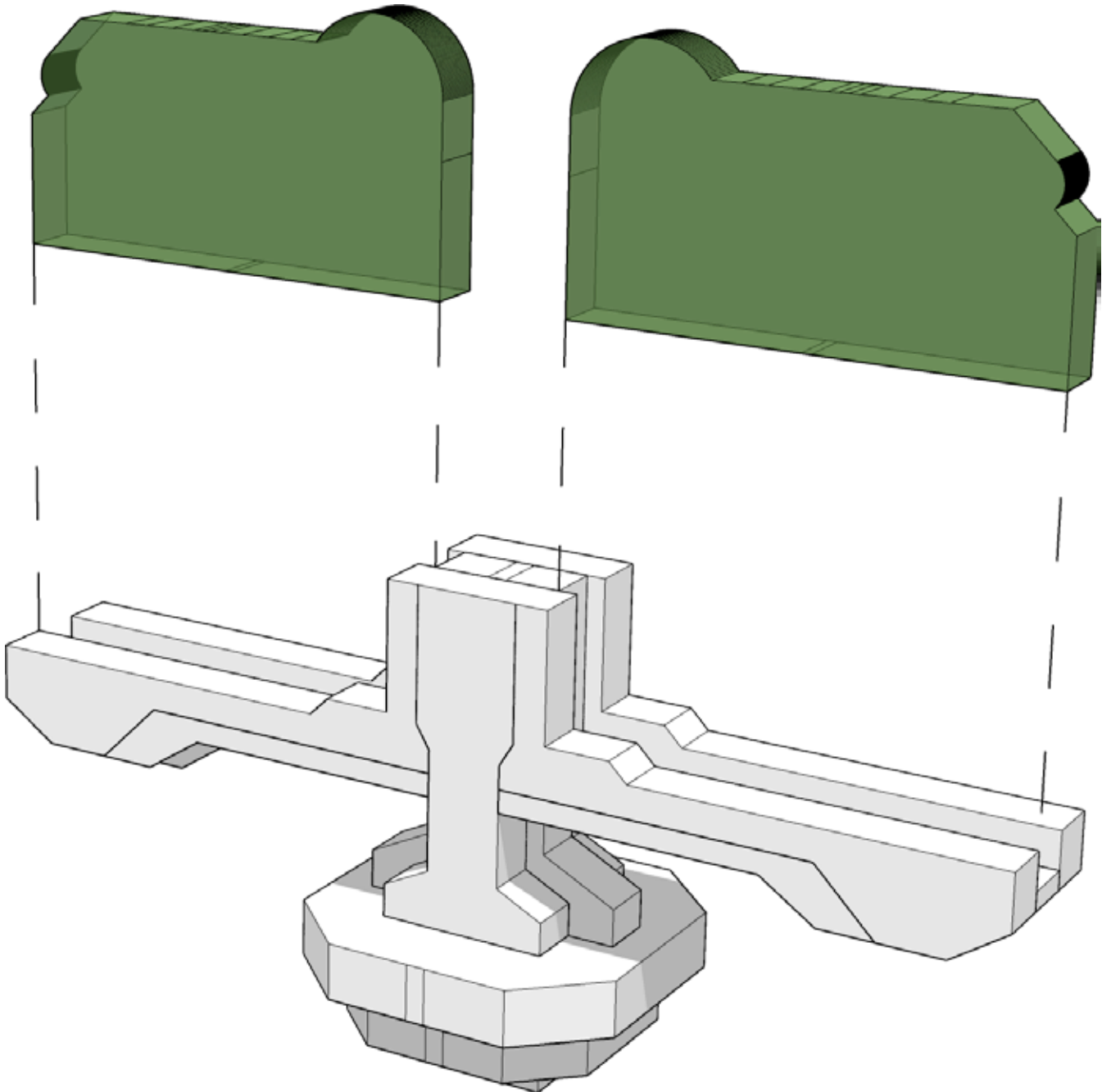
Align edges (circled) to centre highlighted parts.
See next step if unsure



TABLETOP SCENICS

TTSCW-SFU-160
Slab Street
Accessories

16



Any detailed acrylic can be used so long
as the shape is the same

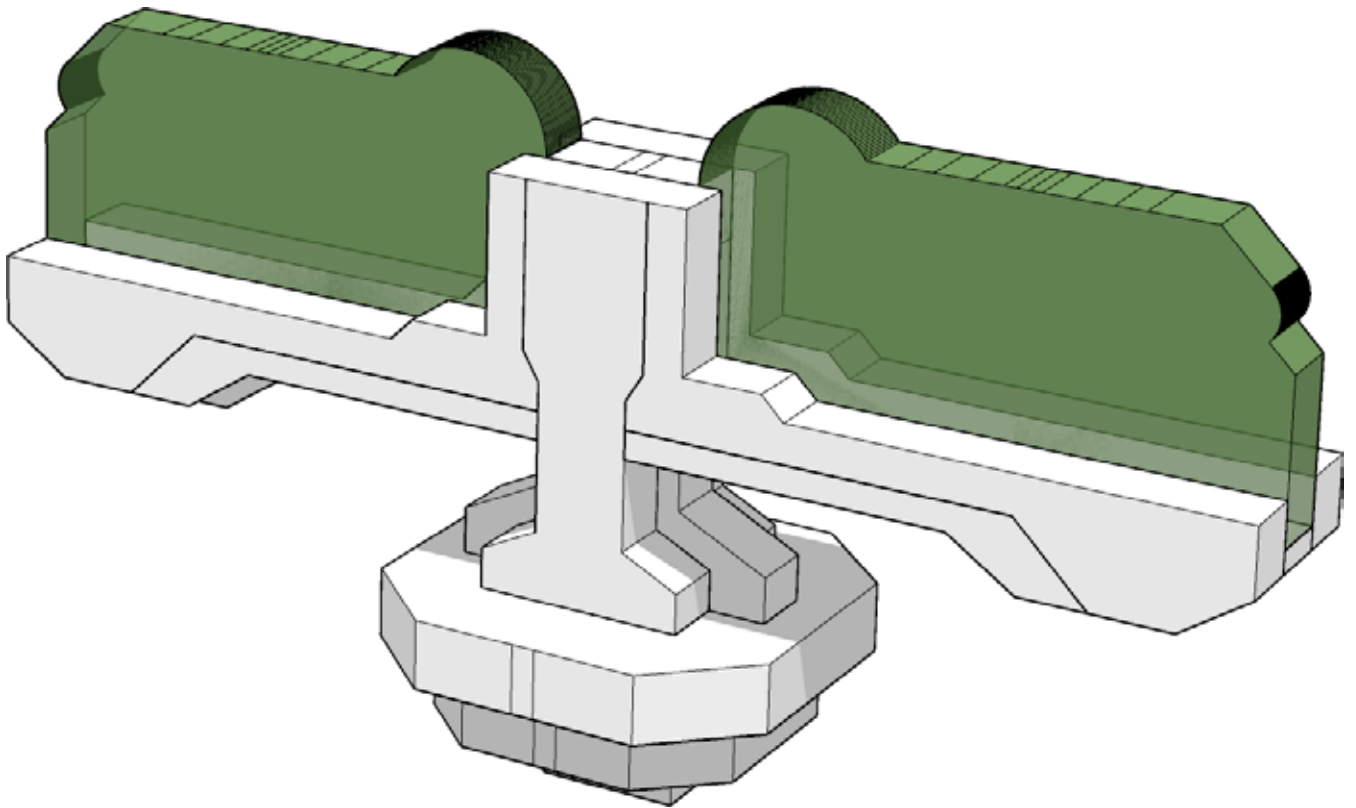




TABLETOP SCENICS

TTSCW-SFU-160
Slab Street
Accessories

17



x2

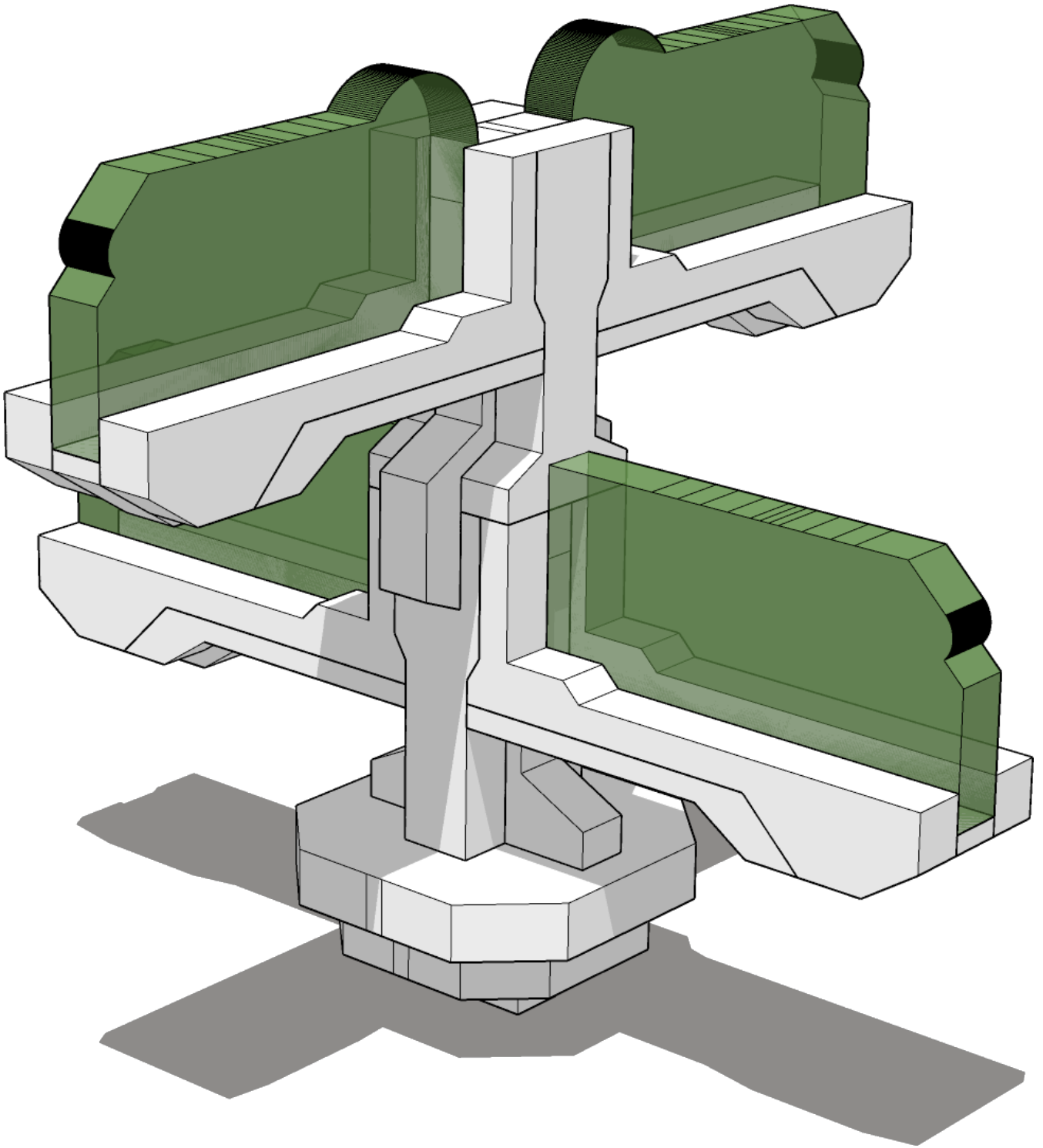




TABLETOP SCENICS

TTSCW-SFU-160
Slab Street
Accessories

18

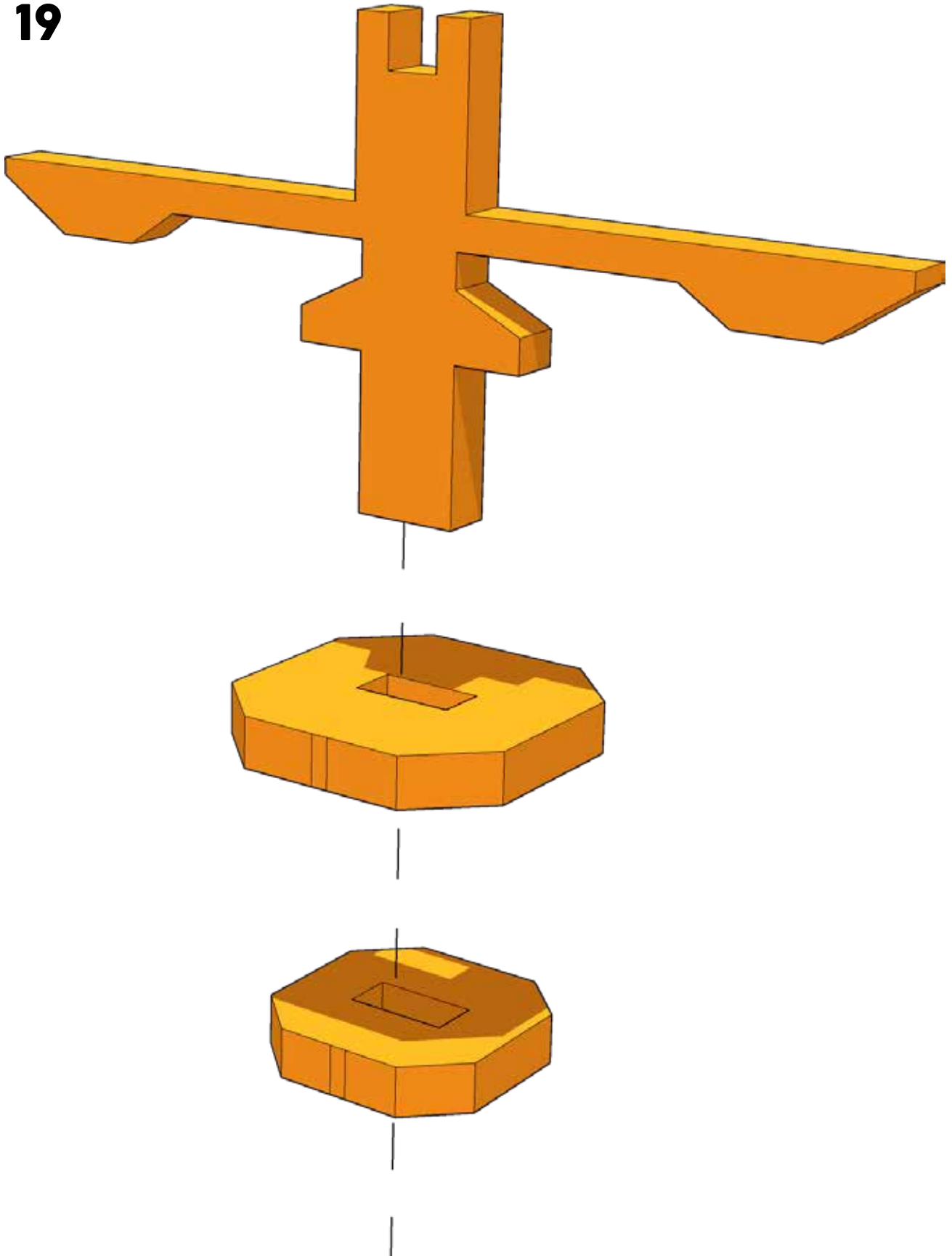




TABLETOP SCENICS

TTSCW-SFU-160
Slab Street
Accessories

19

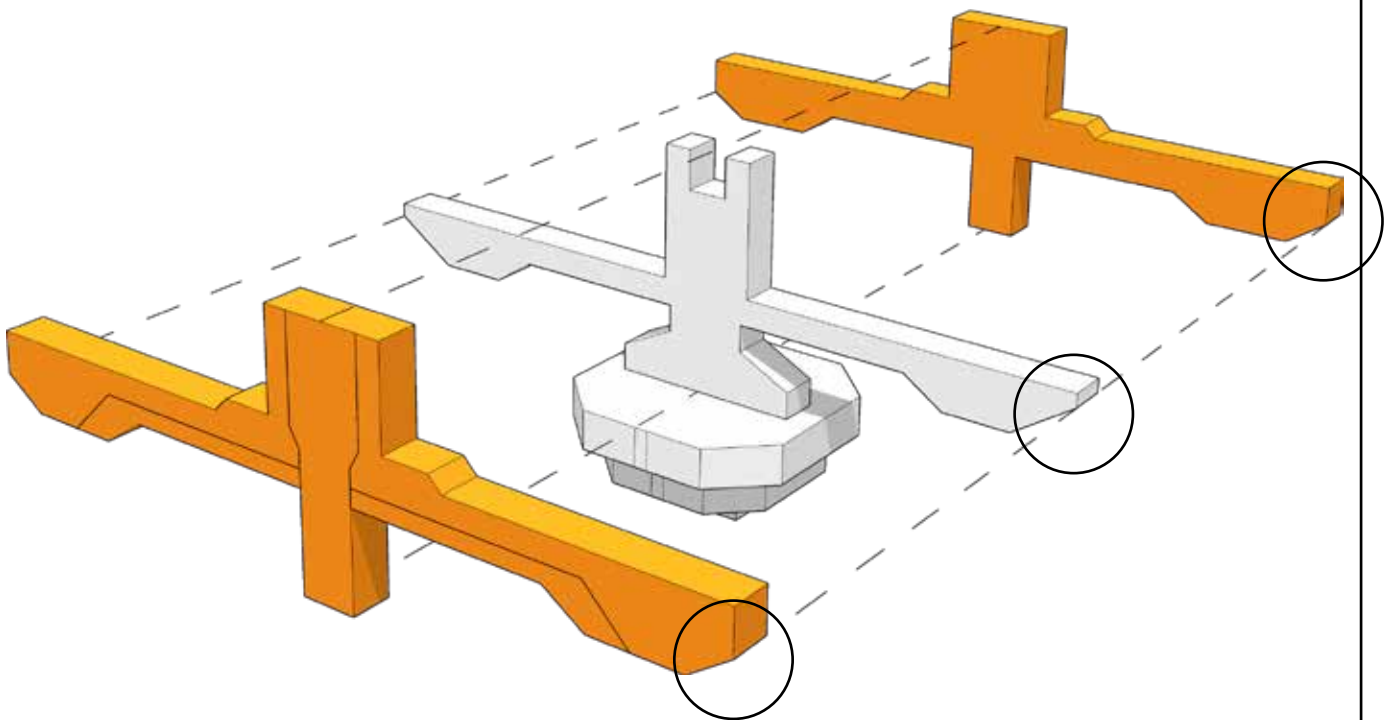




TABLETOP SCENICS

TTSCW-SFU-160
Slab Street
Accessories

20



Align edges (circled) to position highlighted parts
in the centre. See next step if unsure

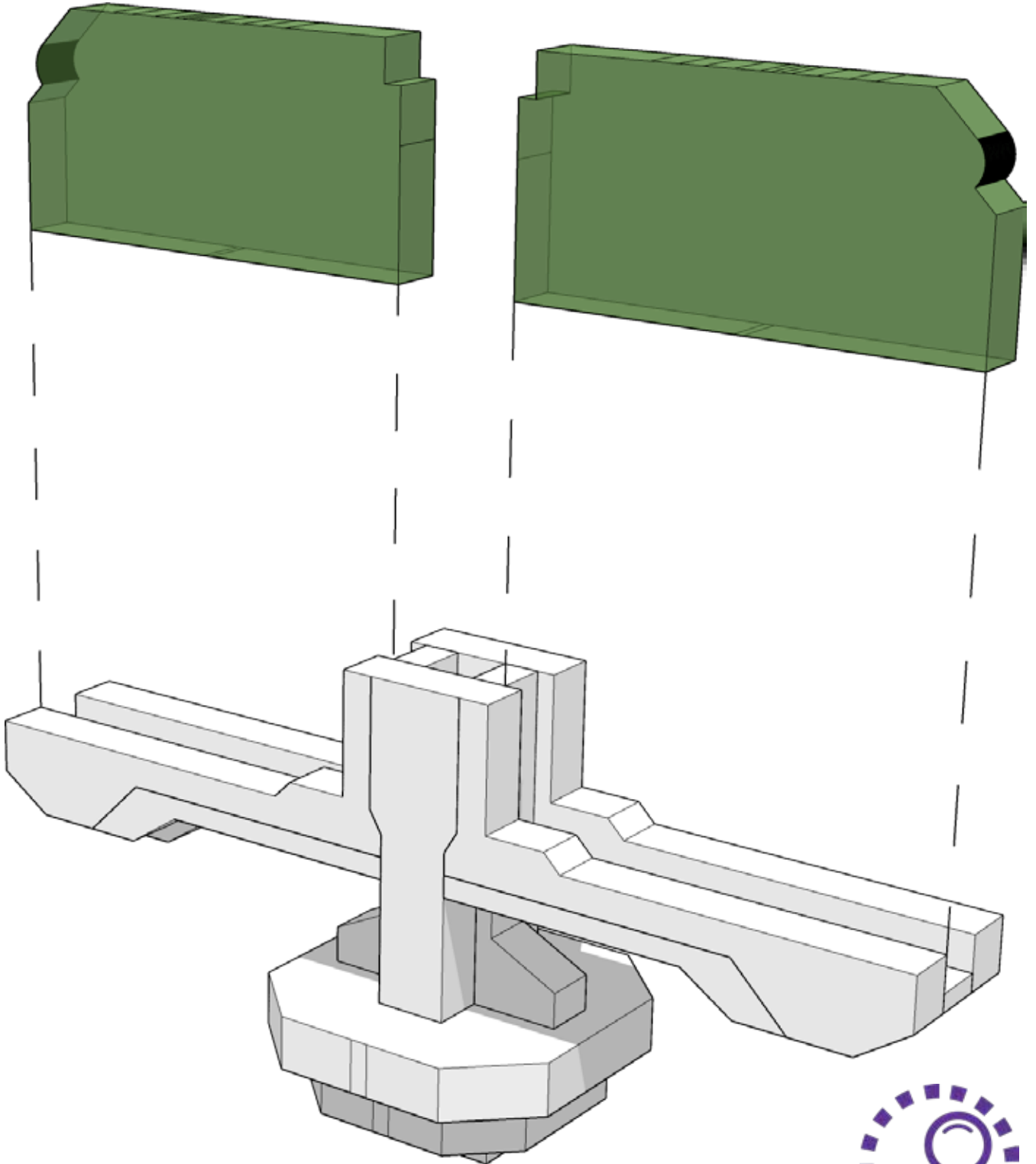




TABLETOP SCENICS

TTSCW-SFU-160
Slab Street
Accessories

21



Acrylic shap is specific to this part



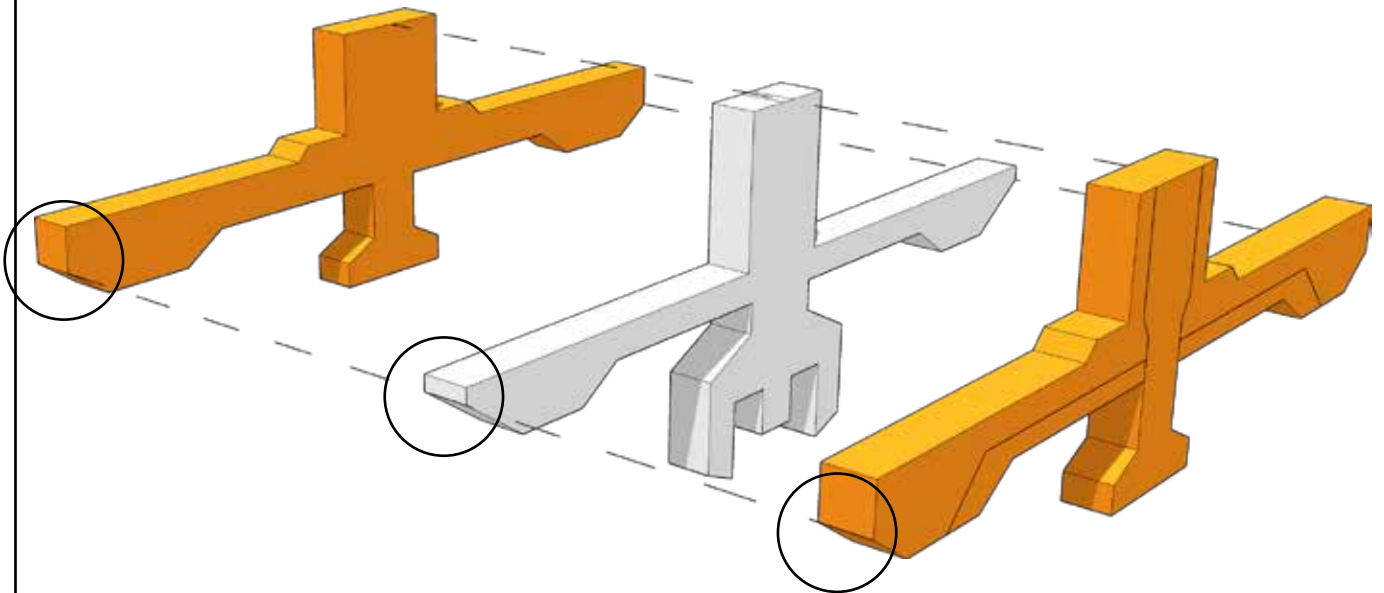
 **TTCOMBAT**



TABLETOP SCENICS

TTSCW-SFU-160
Slab Street
Accessories

22



Align edges (circled) to position highlighted parts correctly. If unsure see next step

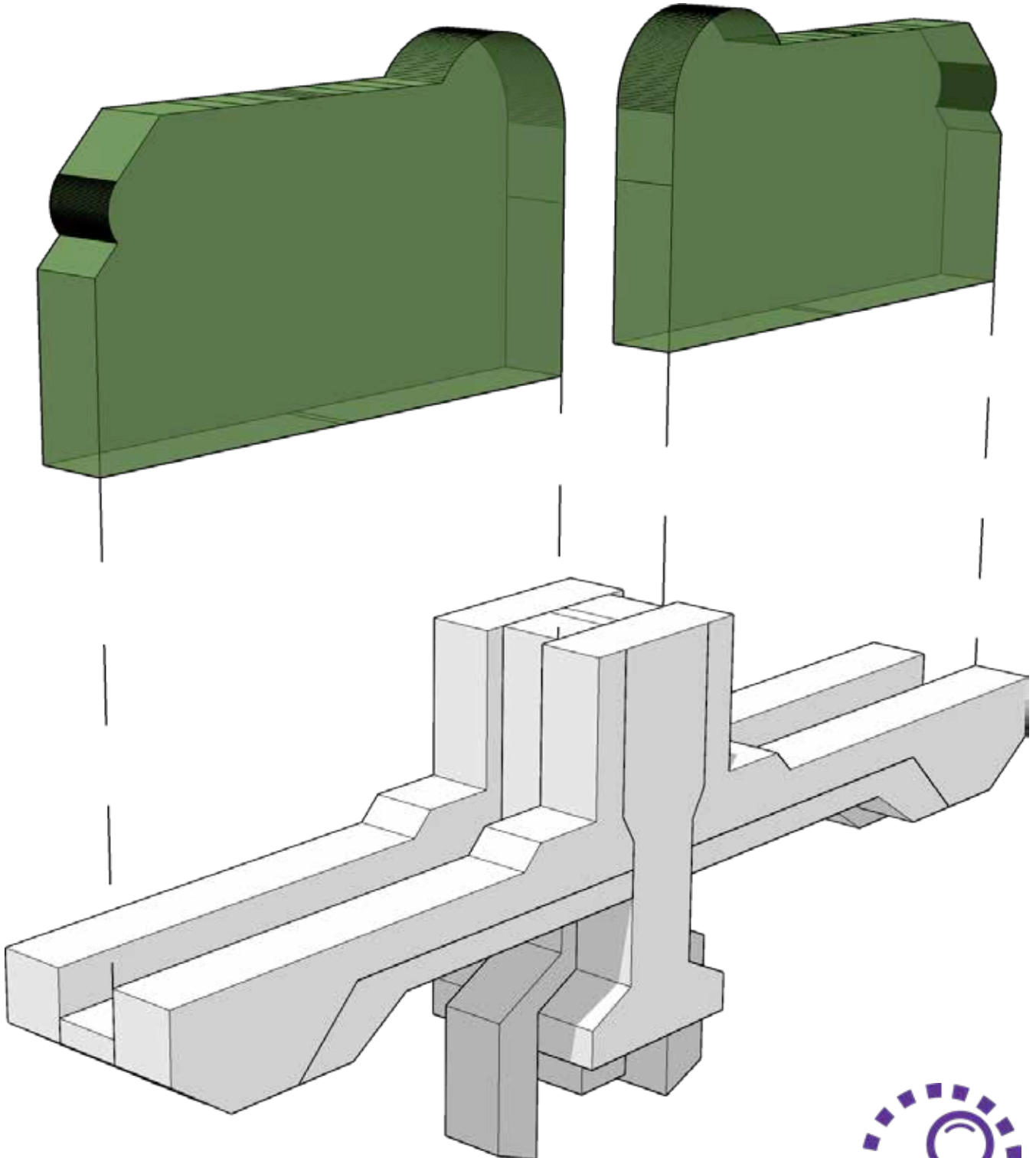




TABLETOP SCENICS

TTSCW-SFU-160
Slab Street
Accessories

23



Any detailed acrylic can be used as
long as the shape matches



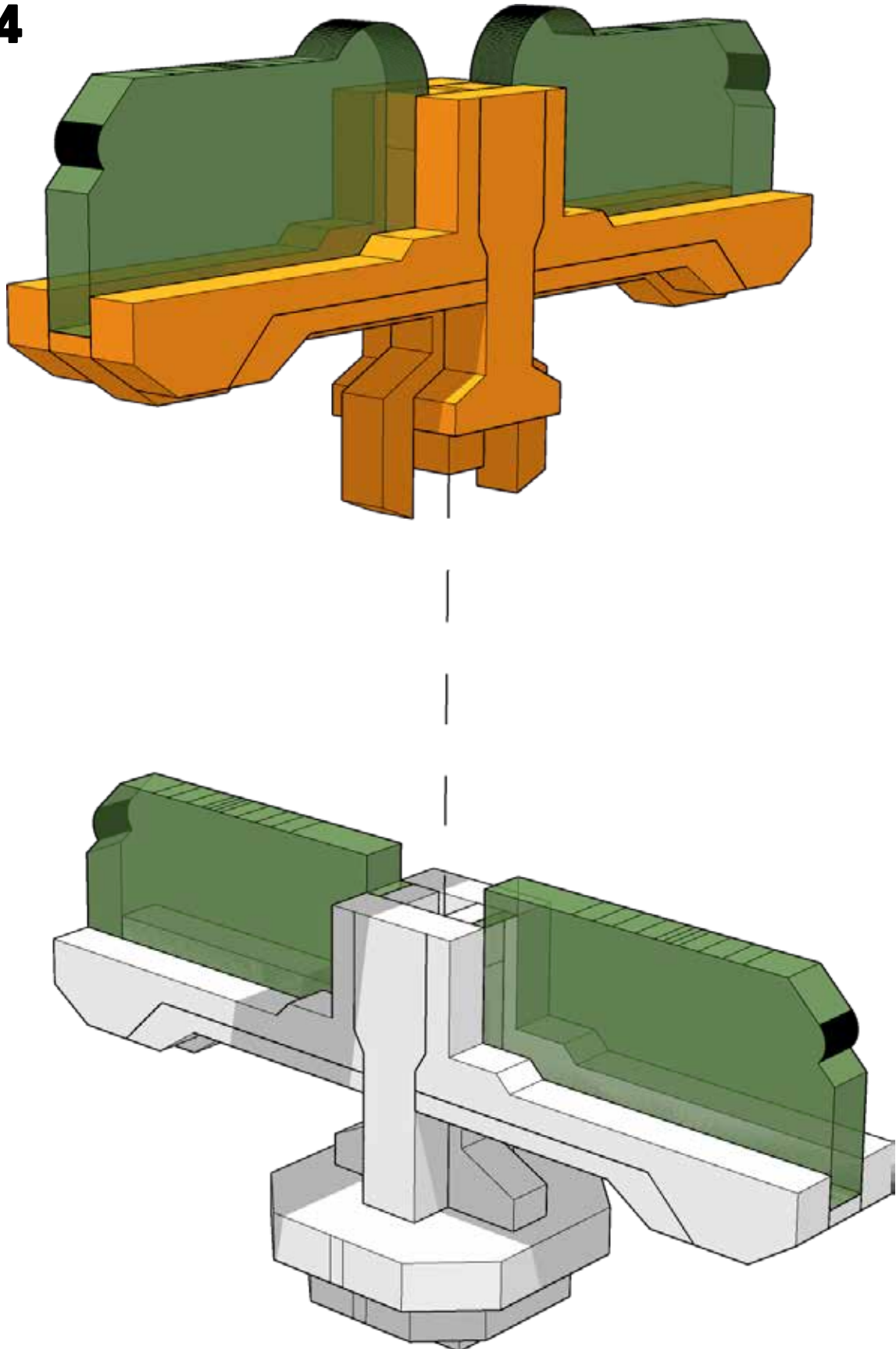
 **TTCOMBAT**



TABLETOP SCENICS

TTSCW-SFU-160
Slab Street
Accessories

24

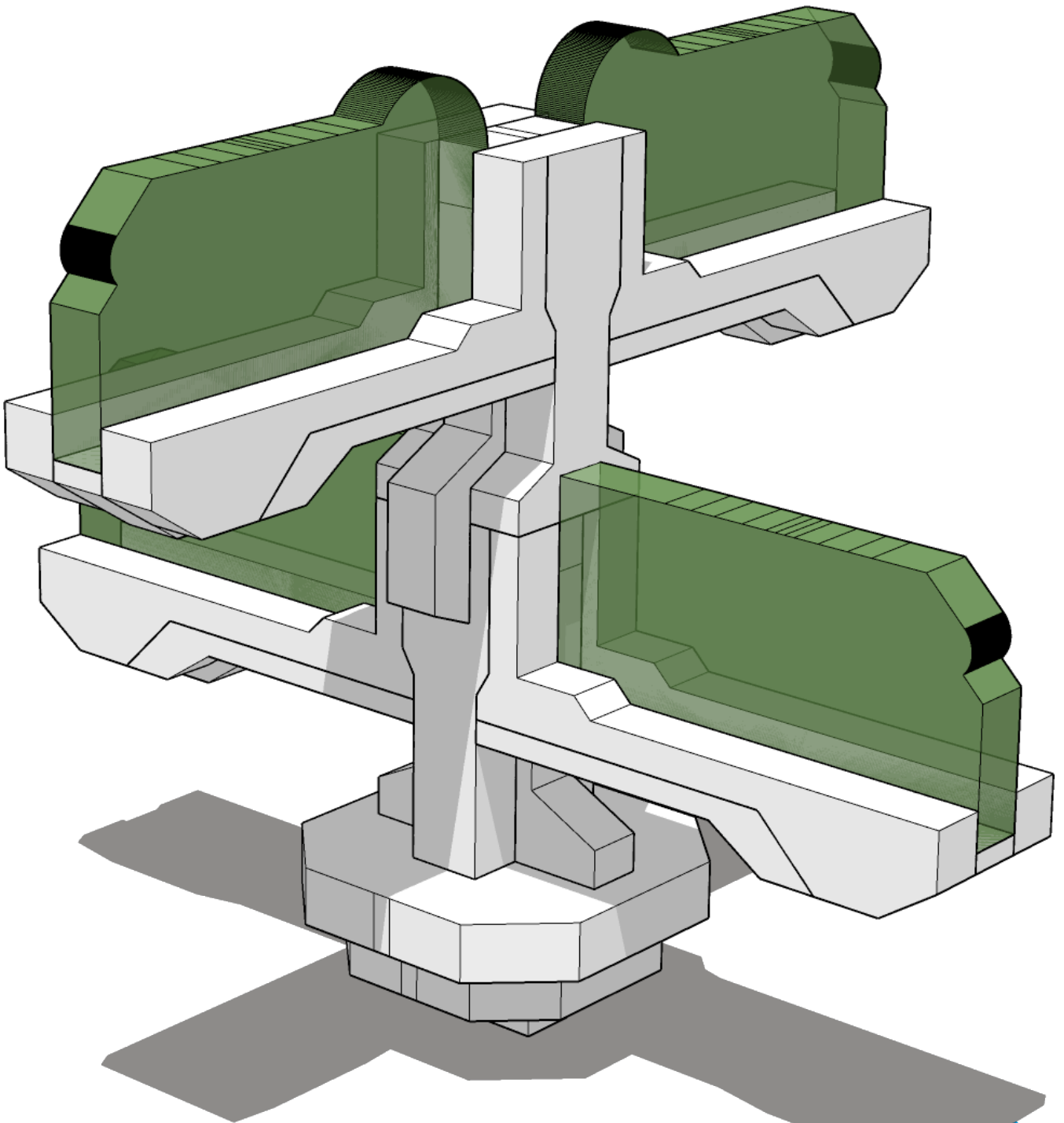




TABLETOP SCENICS

TTSCW-SFU-160
Slab Street
Accessories

25

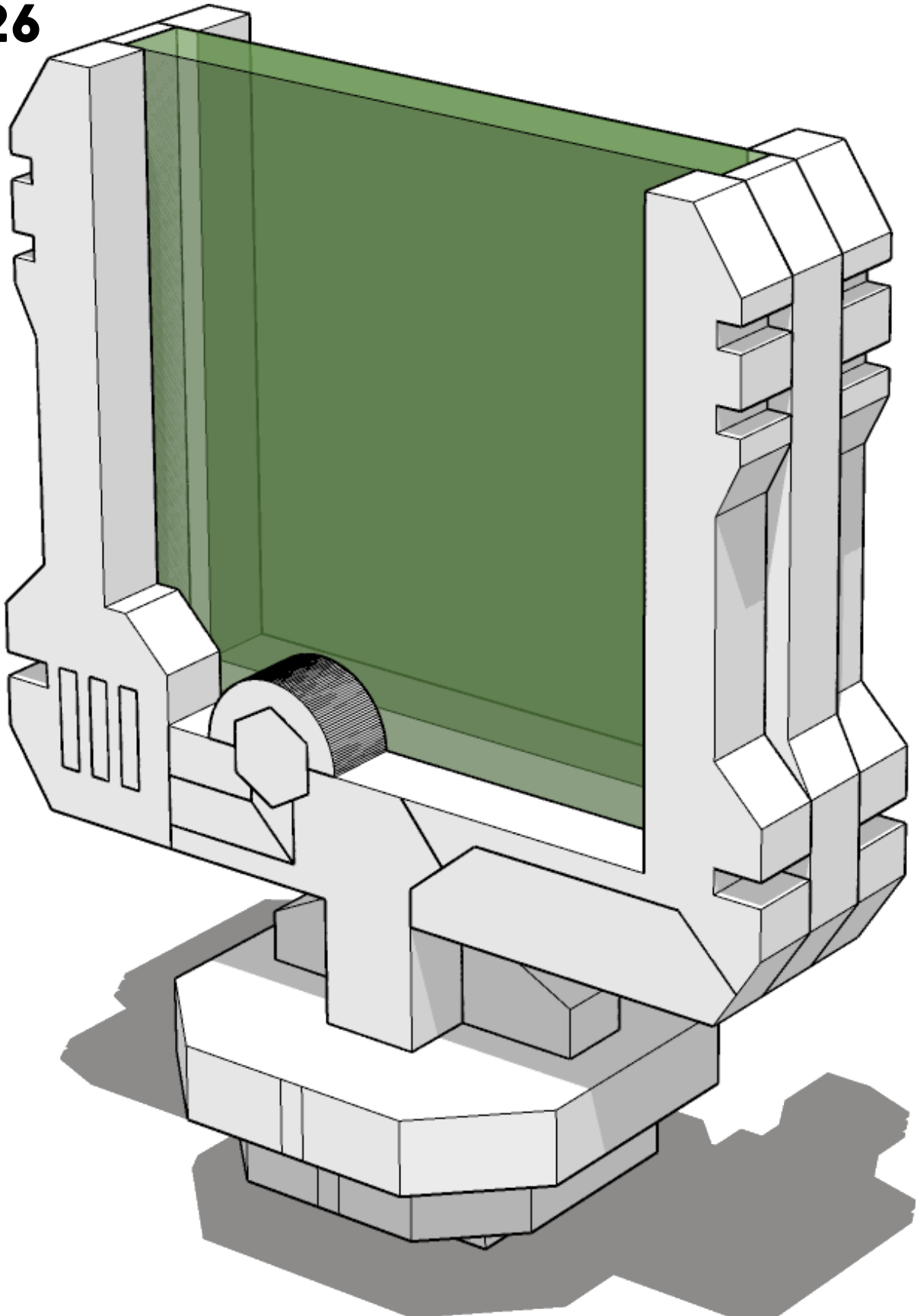




TABLETOP SCENICS

TTSCW-SFU-160
Slab Street
Accessories

26

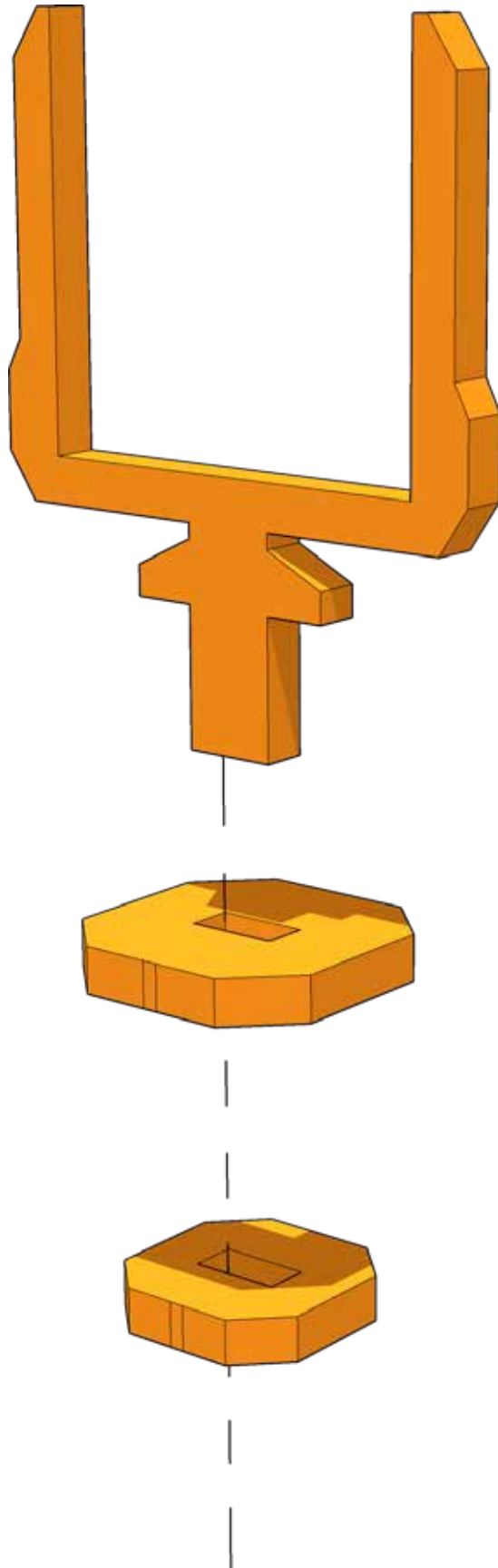




TABLETOP SCENICS

TTSCW-SFU-160
Slab Street
Accessories

27

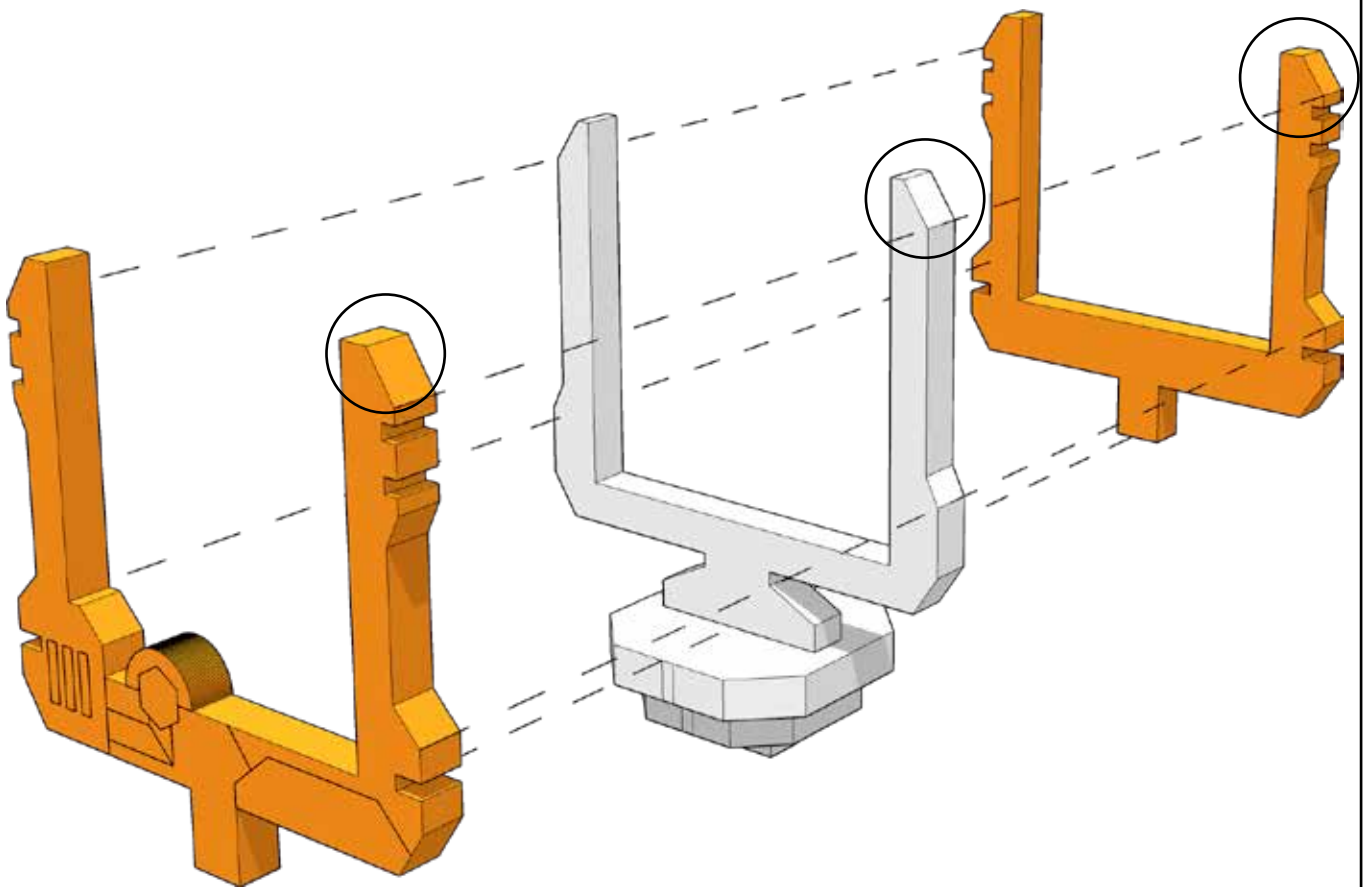




TABLETOP SCENICS

TTSCW-SFU-160
Slab Street
Accessories

28



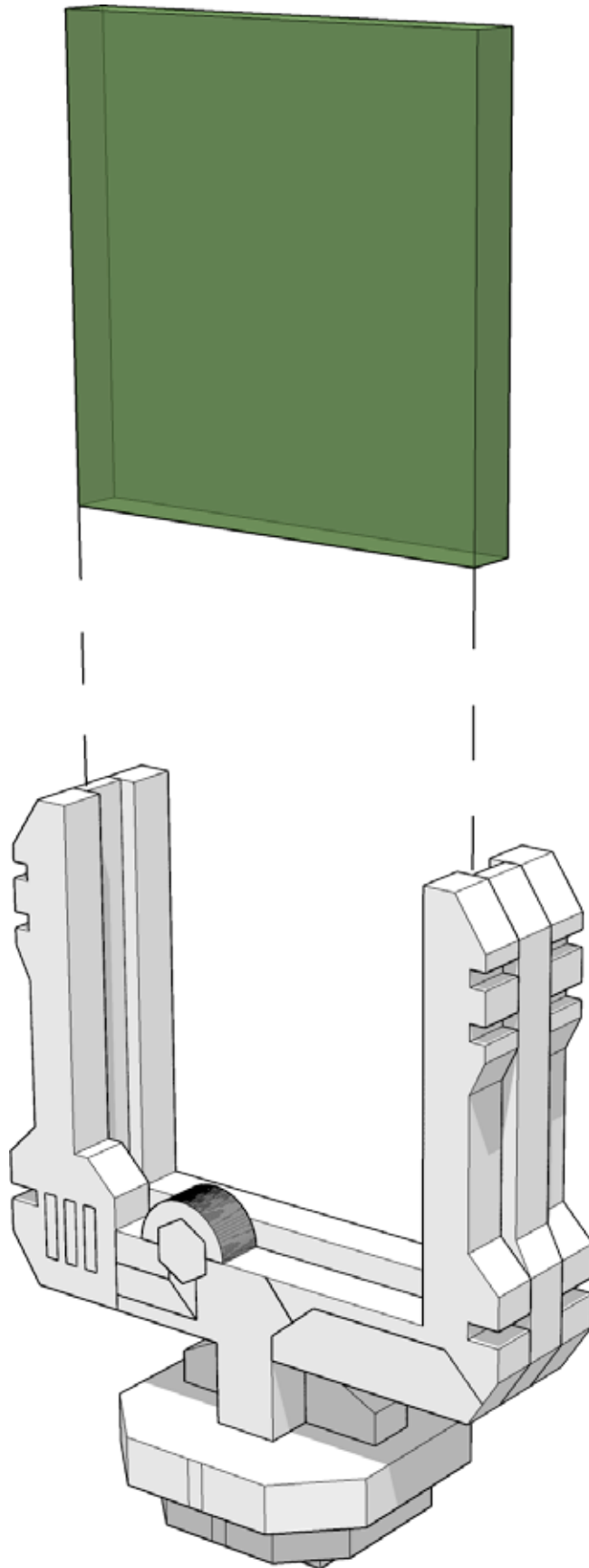
Align edges (circled) to position highlighted parts.
If unsure see next step



TABLETOP SCENICS

TTSCW-SFU-160
Slab Street
Accessories

29

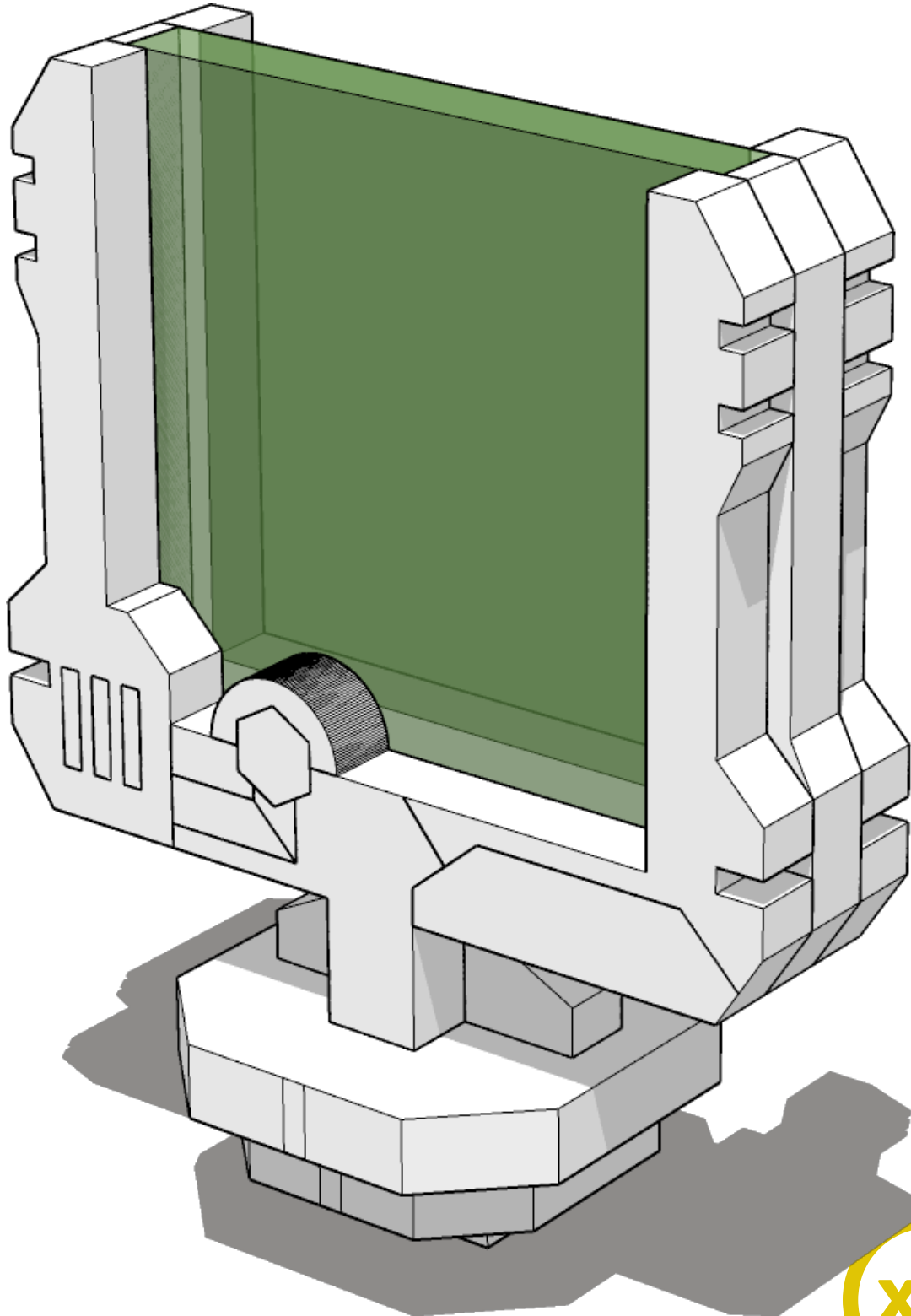




TABLETOP SCENICS

TTSCW-SFU-160
Slab Street
Accessories

30



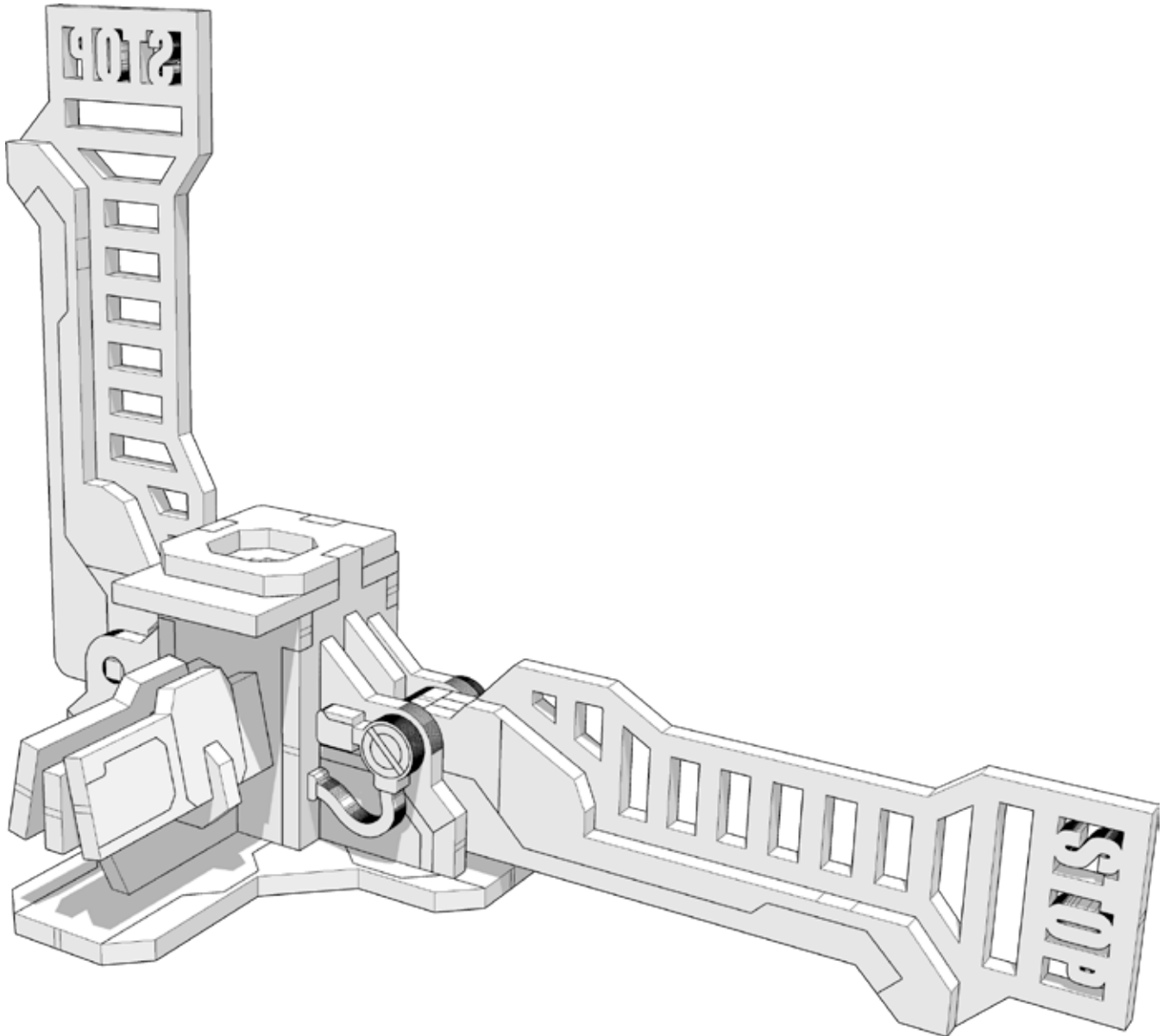
x3



TABLETOP SCENICS

TTSCW-SFU-160
Slab Street
Accessories

31

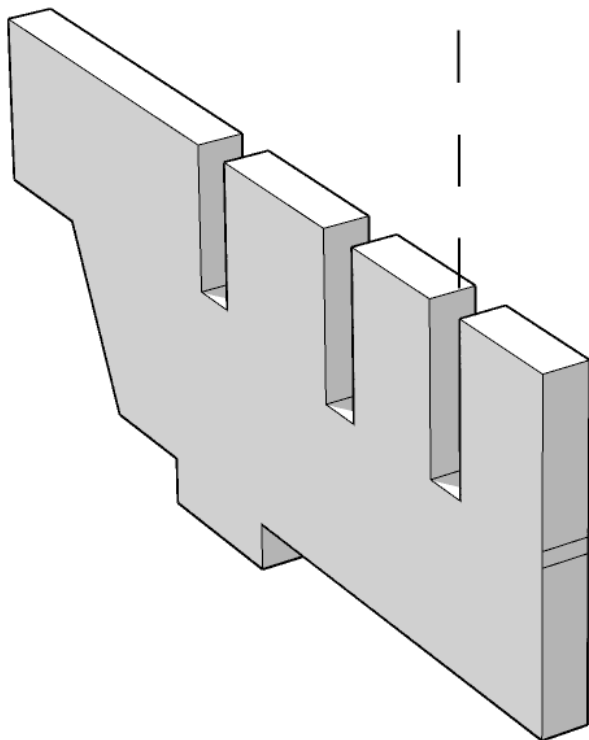
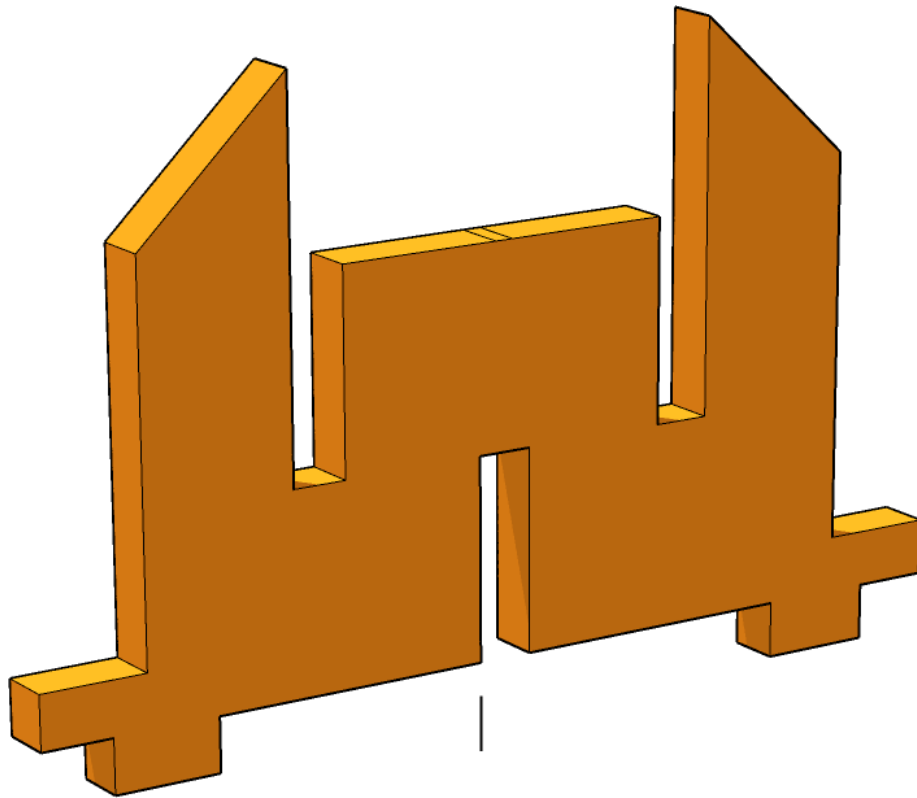




TABLETOP SCENICS

TTSCW-SFU-160
Slab Street
Accessories

32

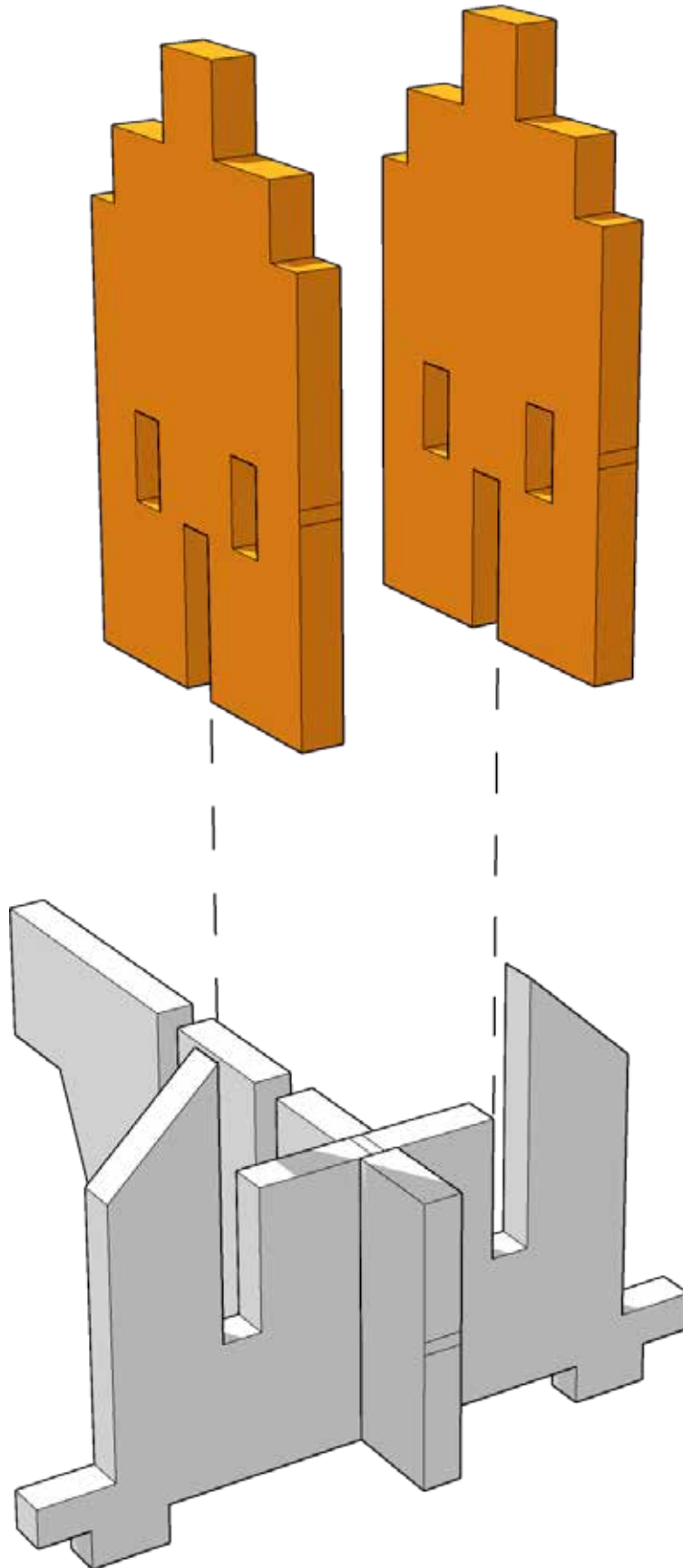




TABLETOP SCENICS

TTSCW-SFU-160
Slab Street
Accessories

33

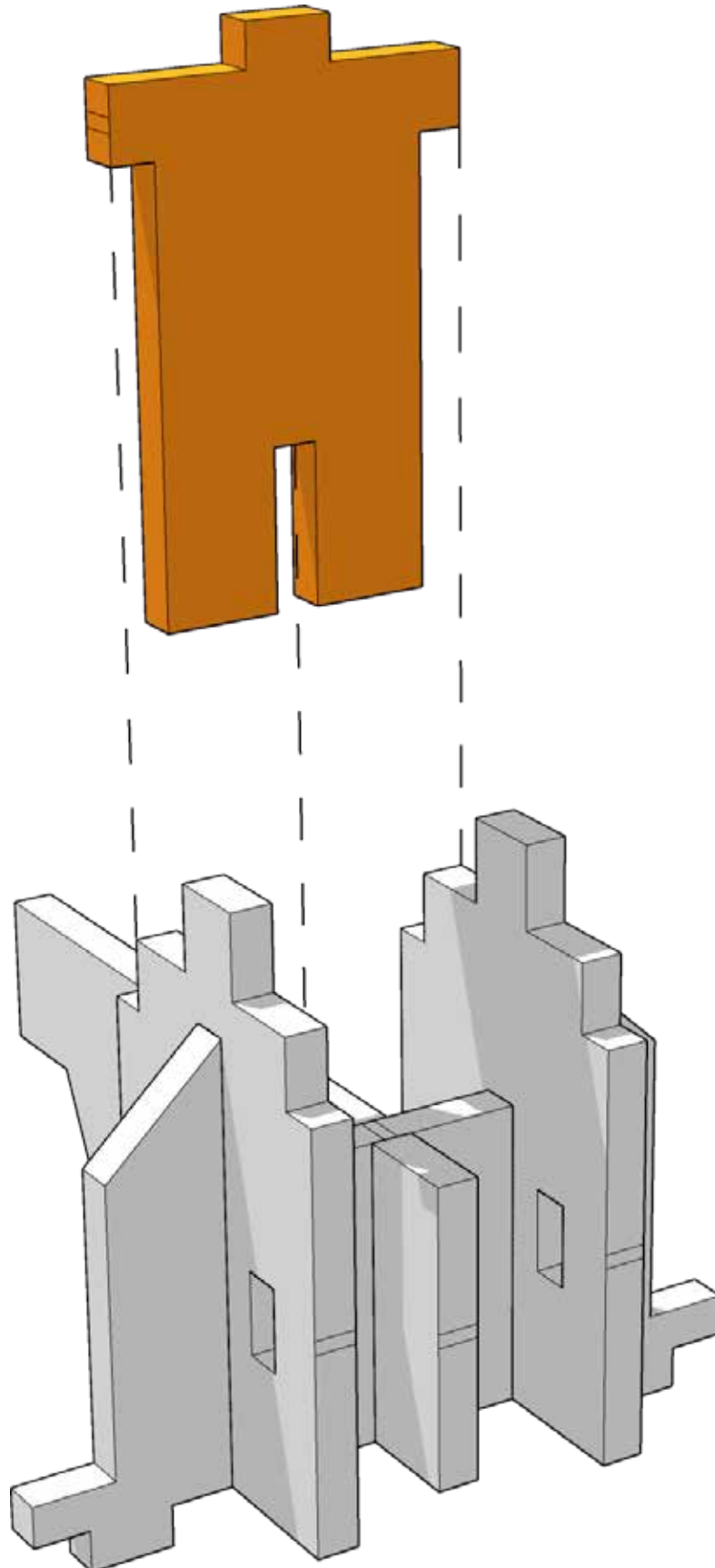




TABLETOP SCENICS

TTSCW-SFU-160
Slab Street
Accessories

34

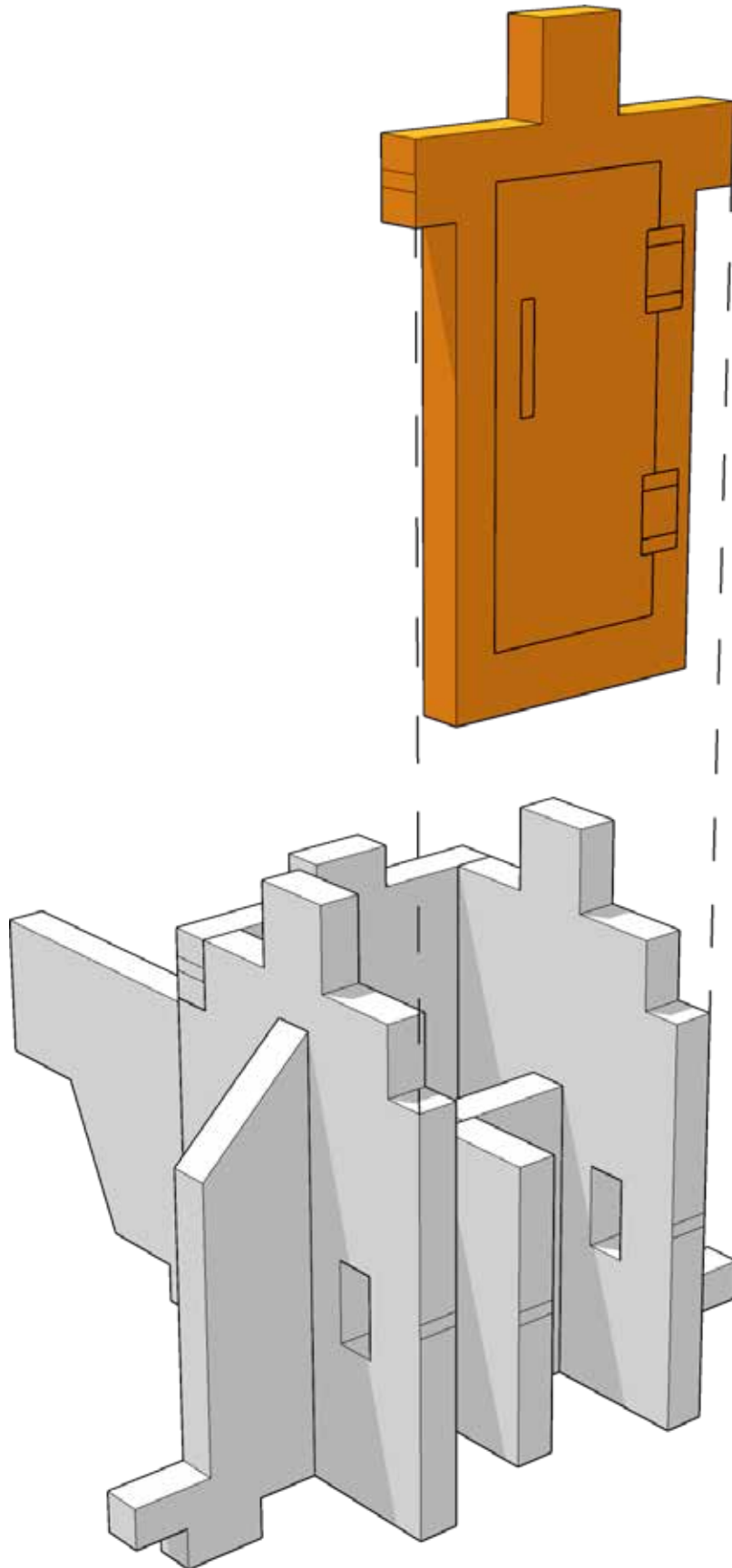




TABLETOP SCENICS

TTSCW-SFU-160
Slab Street
Accessories

35

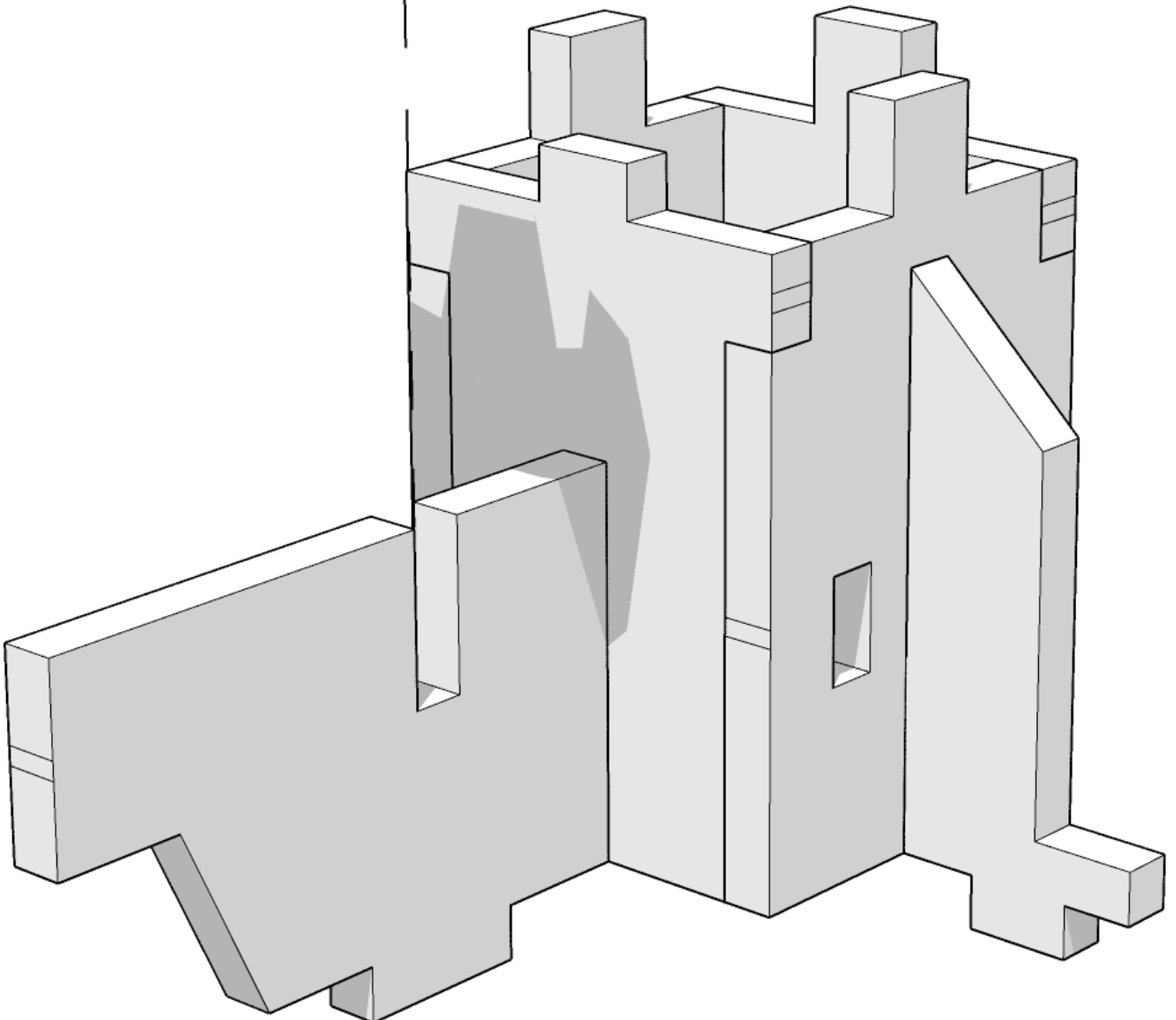
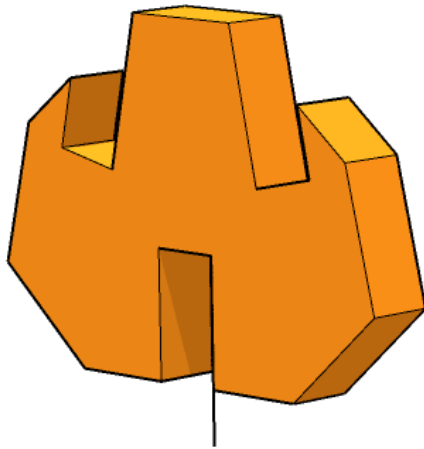




TABLETOP SCENICS

TTSCW-SFU-160
Slab Street
Accessories

36

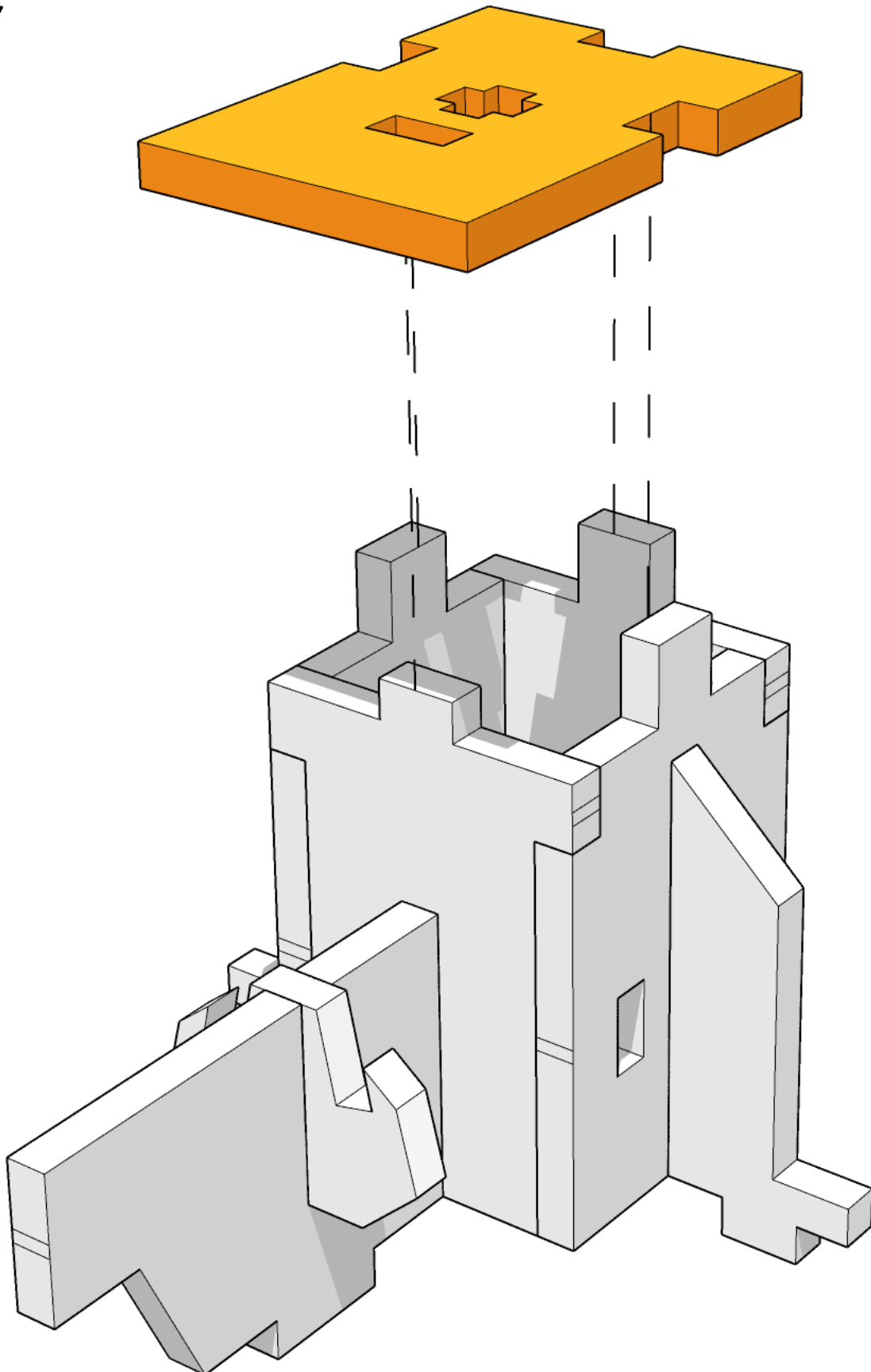




TABLETOP SCENICS

TTSCW-SFU-160
Slab Street
Accessories

37

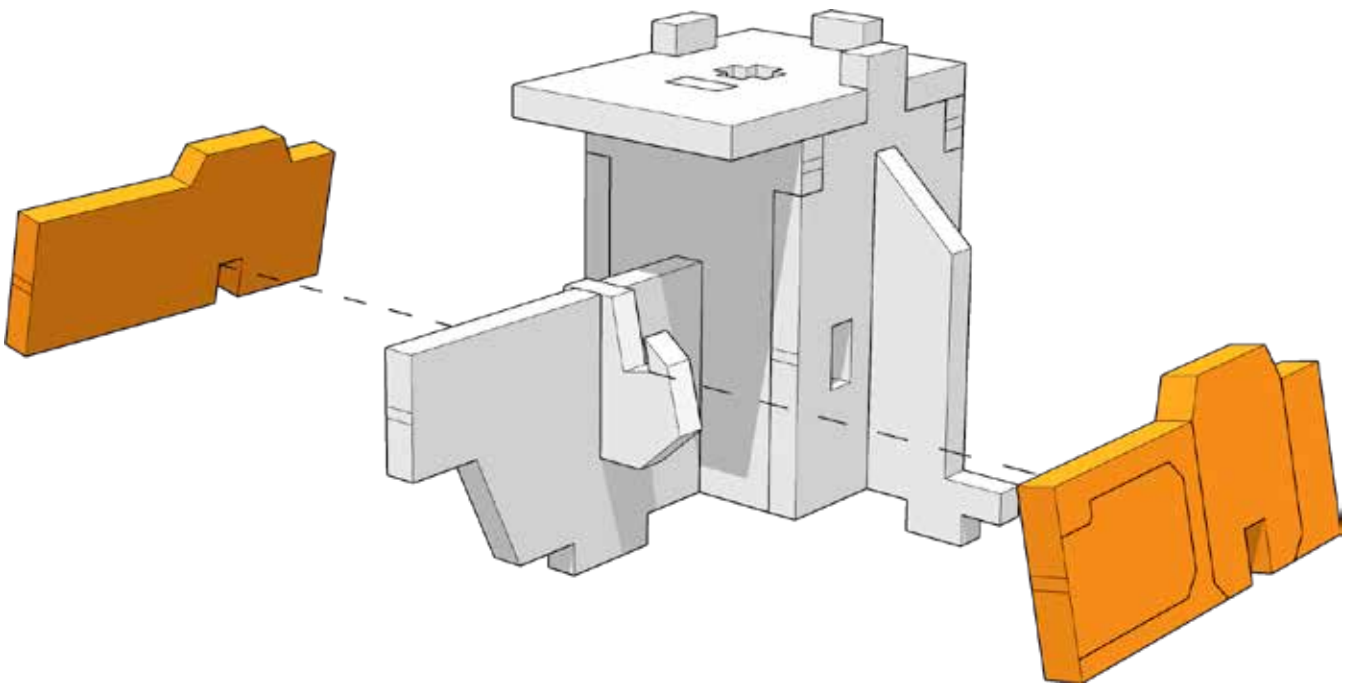




TABLETOP SCENICS

TTSCW-SFU-160
Slab Street
Accessories

38

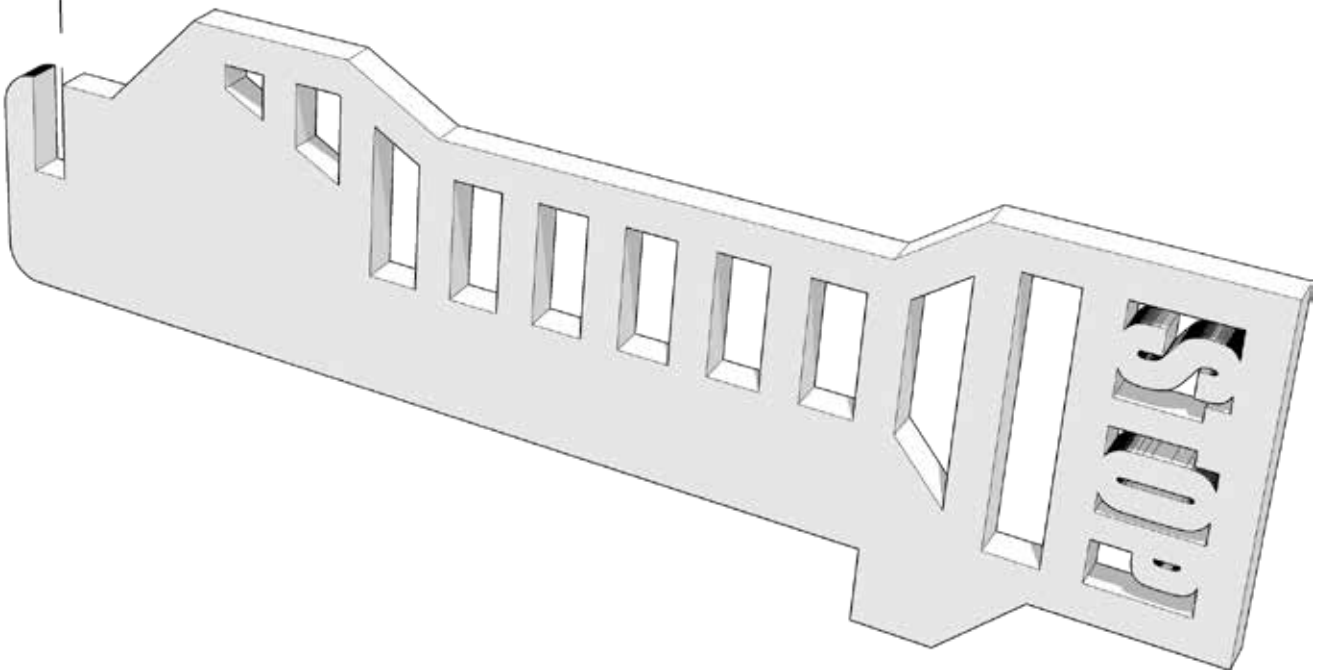
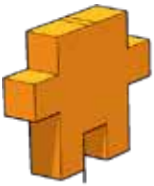




TABLETOP SCENICS

TTSCW-SFU-160
Slab Street
Accessories

39

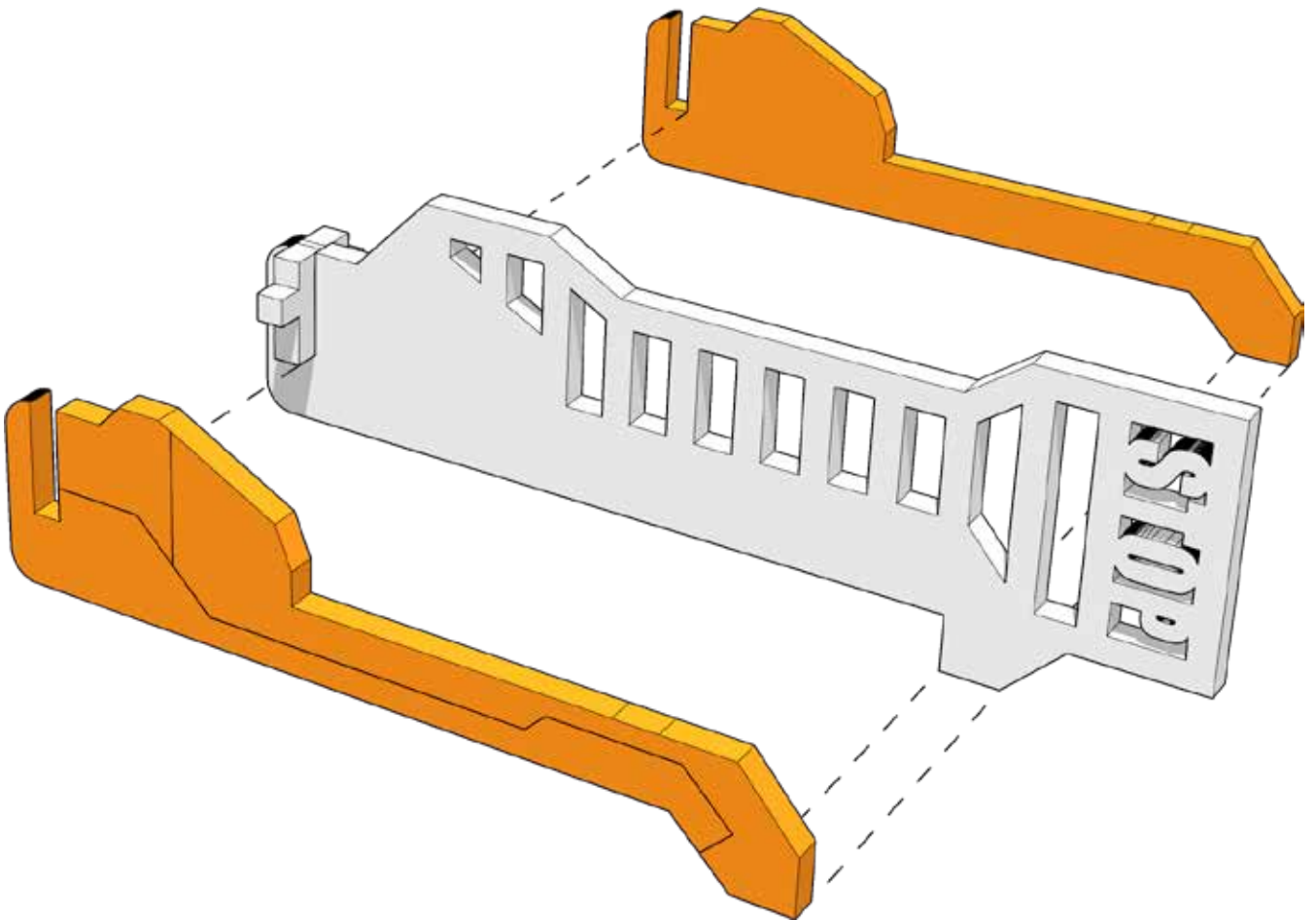




TABLETOP SCENICS

TTSCW-SFU-160
Slab Street
Accessories

40

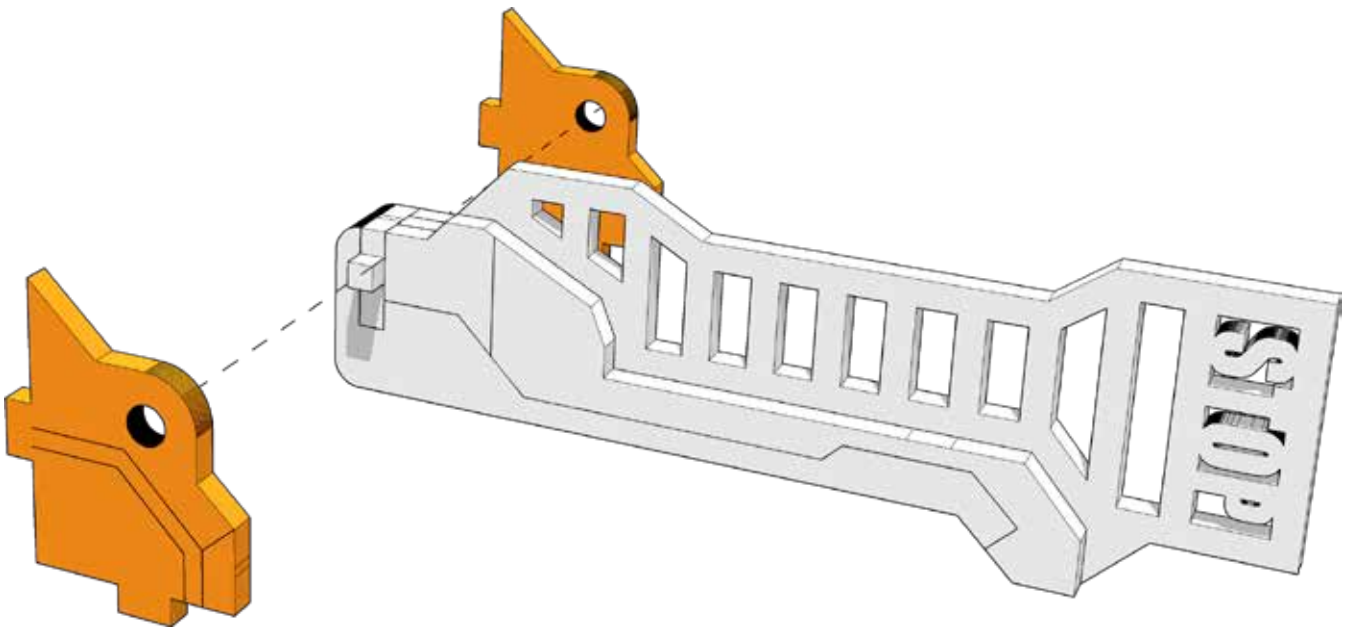




TABLETOP SCENICS

TTSCW-SFU-160
Slab Street
Accessories

41



Highlighted parts sit onto pins.
This allows gate to swing

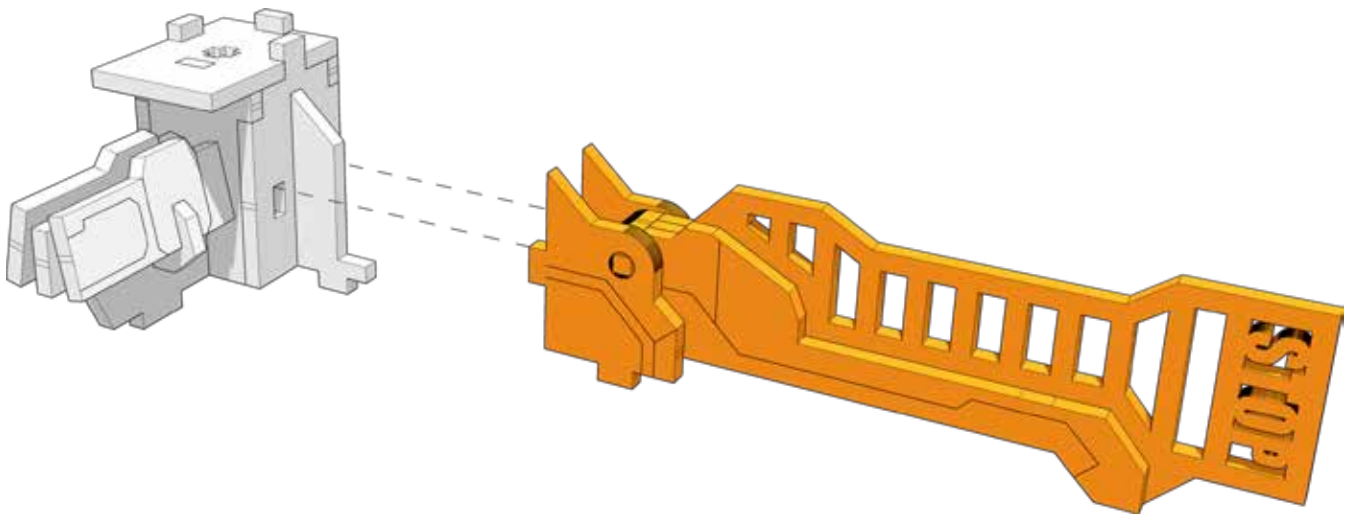




TABLETOP SCENICS

TTSCW-SFU-160
Slab Street
Accessories

42

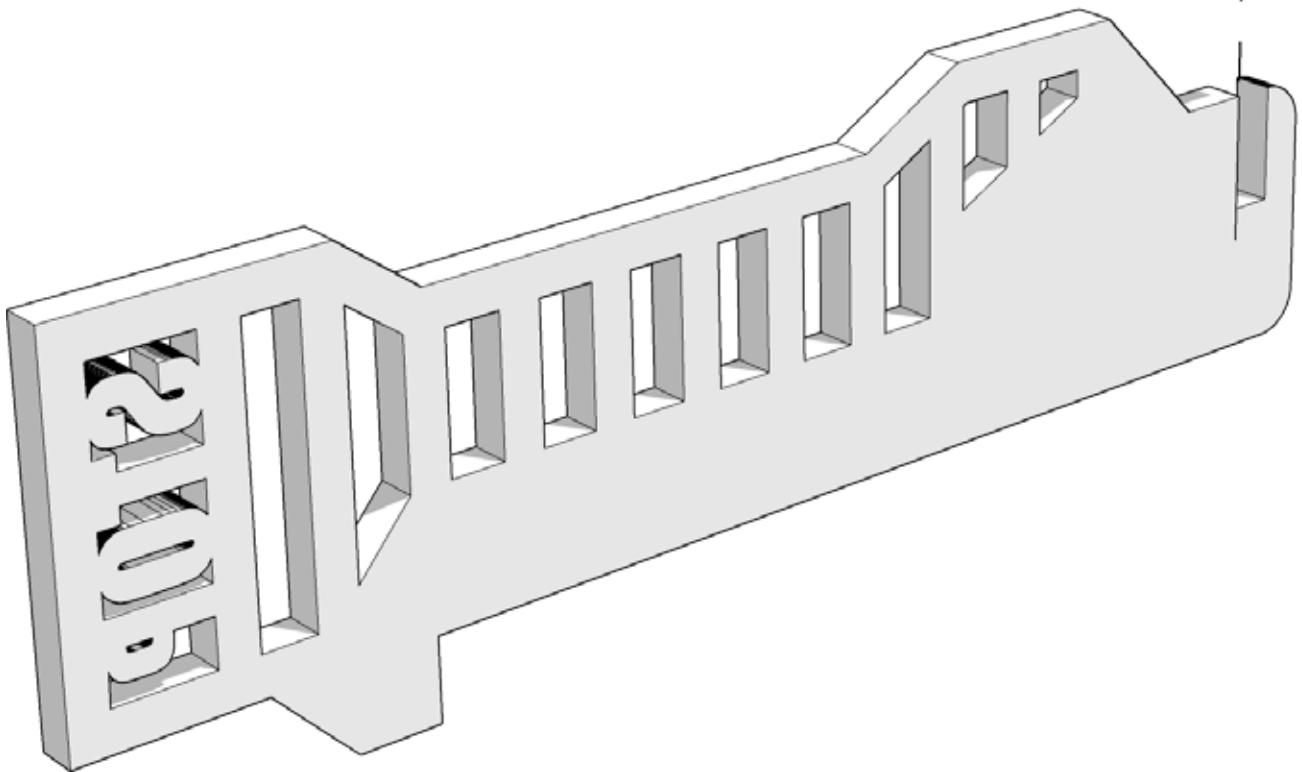




TABLETOP SCENICS

TTSCW-SFU-160
Slab Street
Accessories

43

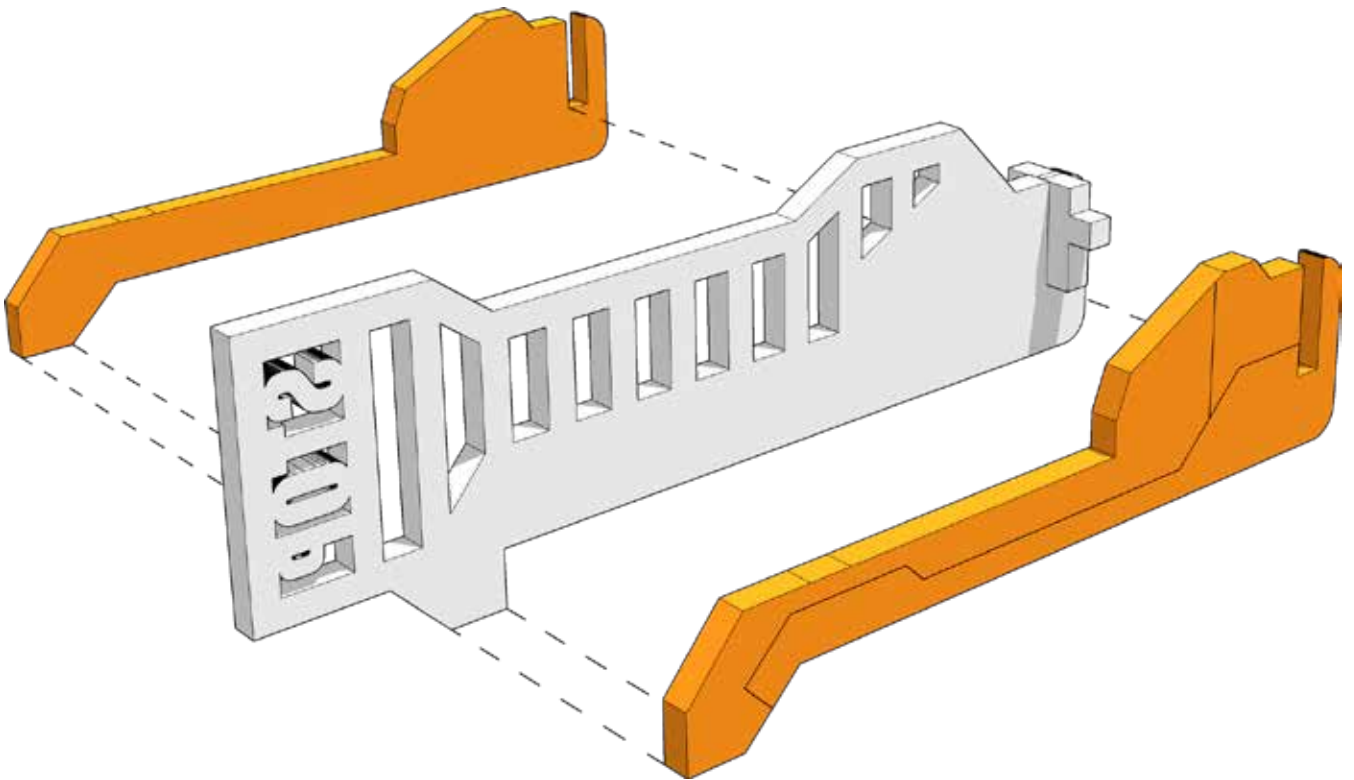




TABLETOP SCENICS

TTSCW-SFU-160
Slab Street
Accessories

44

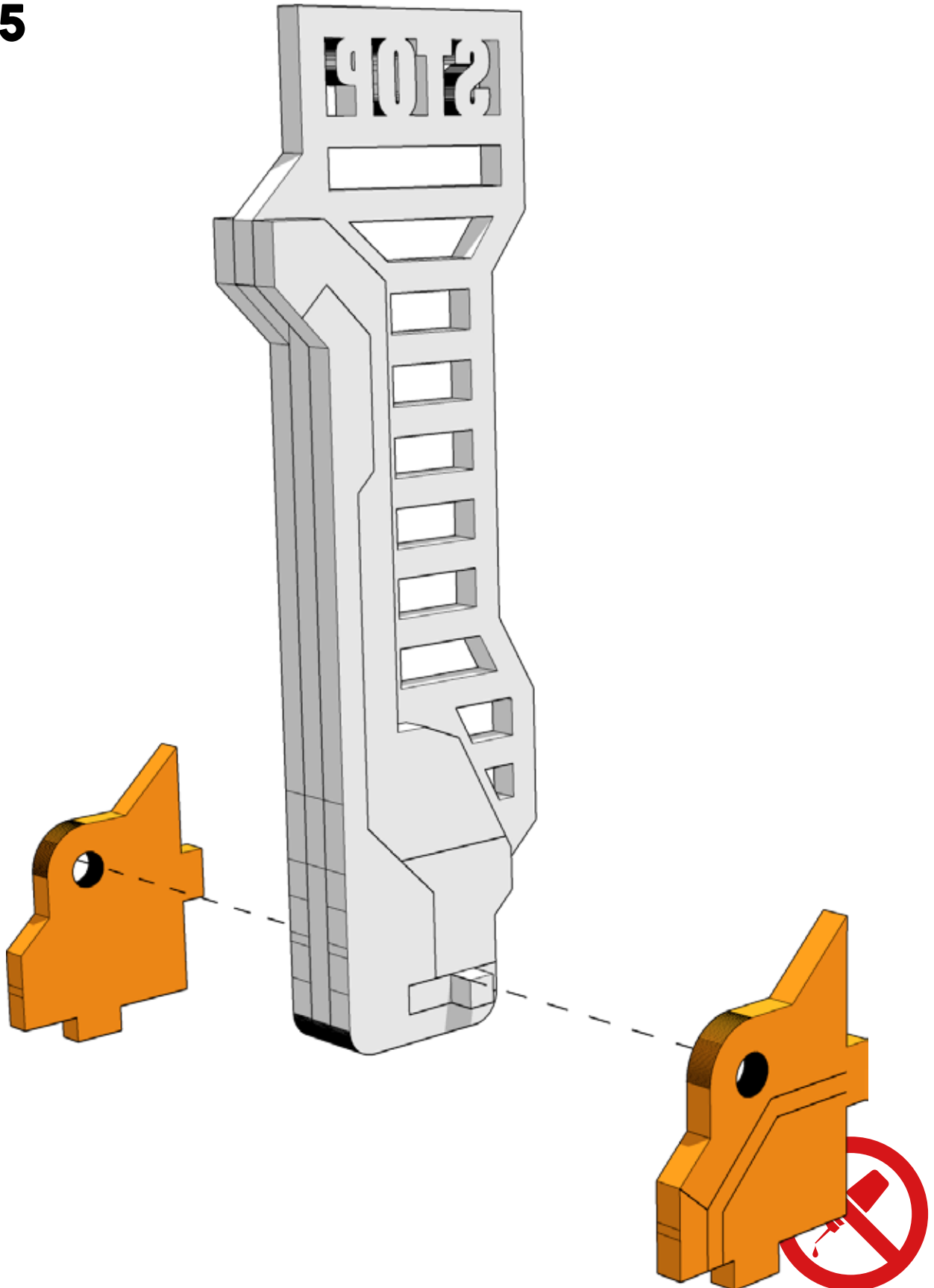




TABLETOP SCENICS

TTSCW-SFU-160
Slab Street
Accessories

45



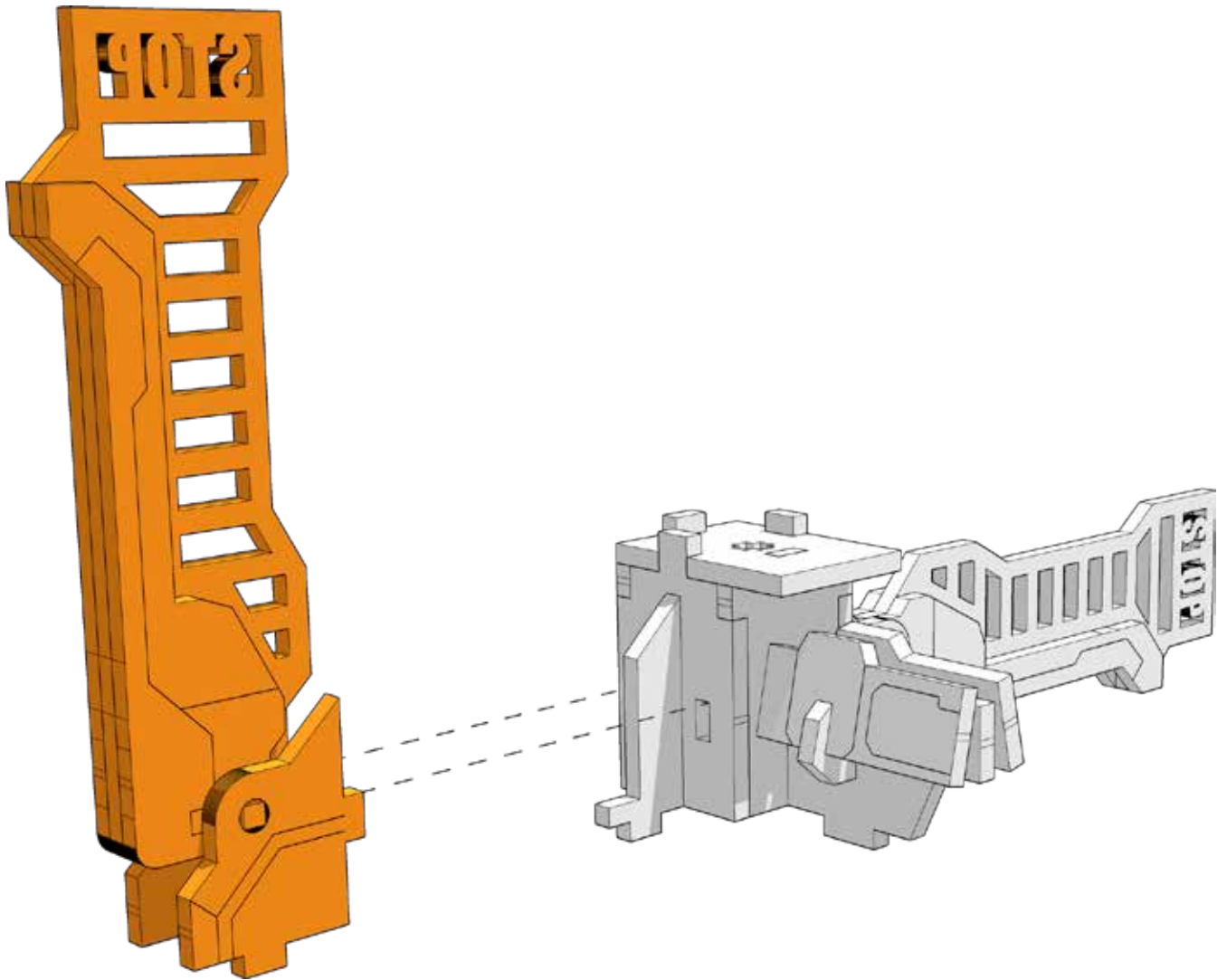
Highlighted parts sit on pins. DO NOT Glue.
This allows gate to swing



TABLETOP SCENICS

TTSCW-SFU-160
Slab Street
Accessories

46

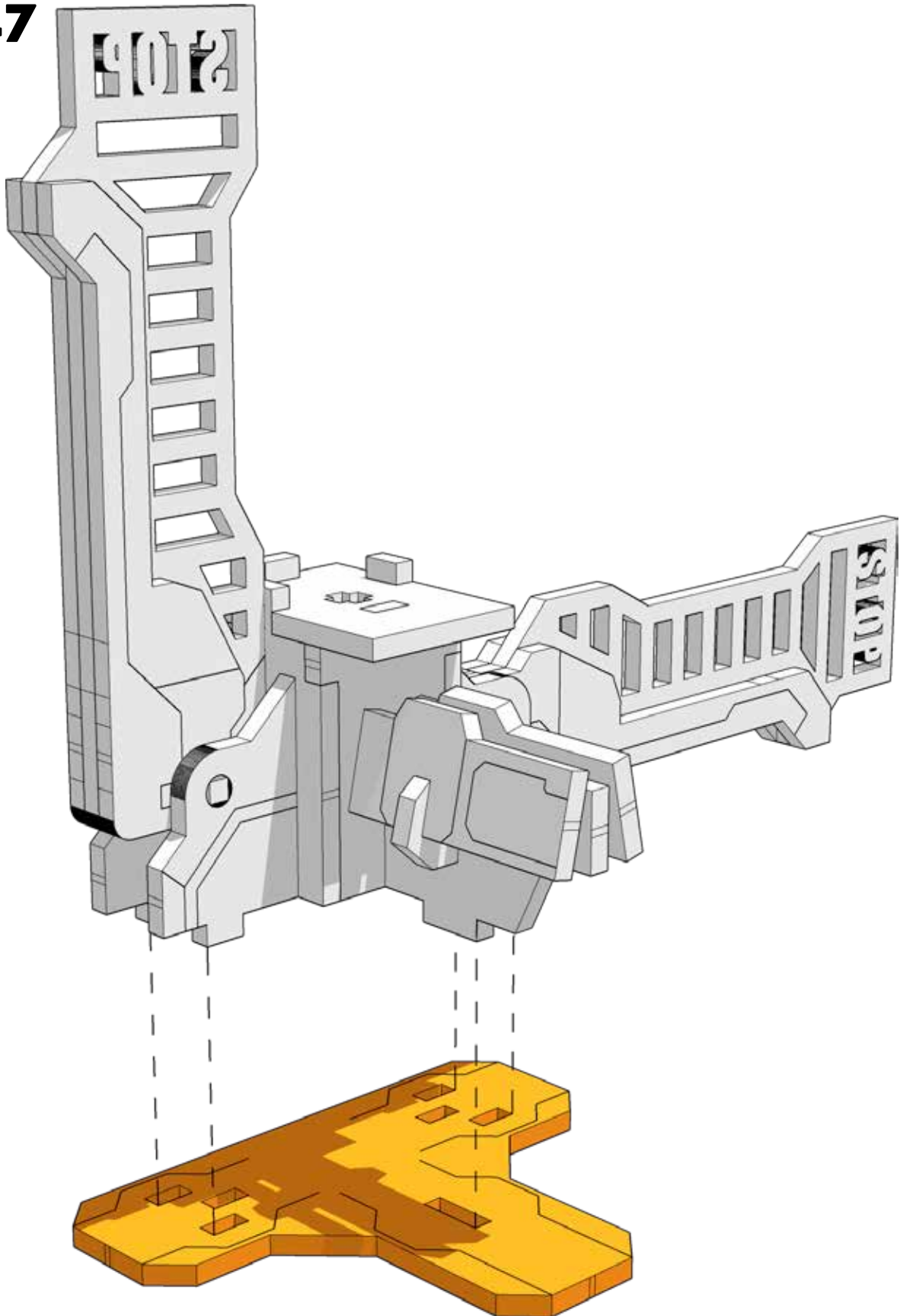




TABLETOP SCENICS

TTSCW-SFU-160
Slab Street
Accessories

47

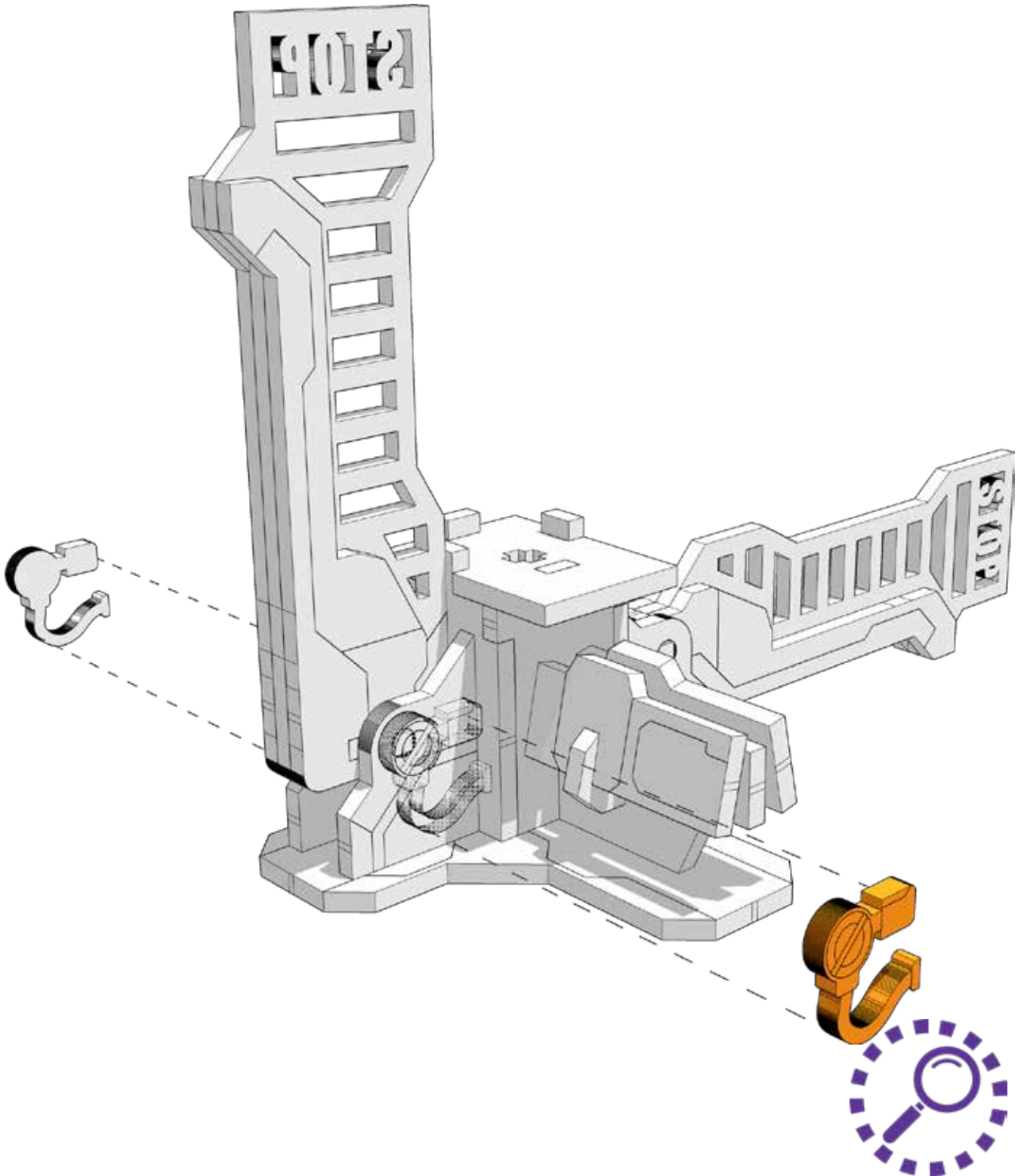




TABLETOP SCENICS

TTSCW-SFU-160
Slab Street
Accessories

48



Highlighted parts cover the gate pins. DO NOT get glue over the gate pins otherwise they wont move.

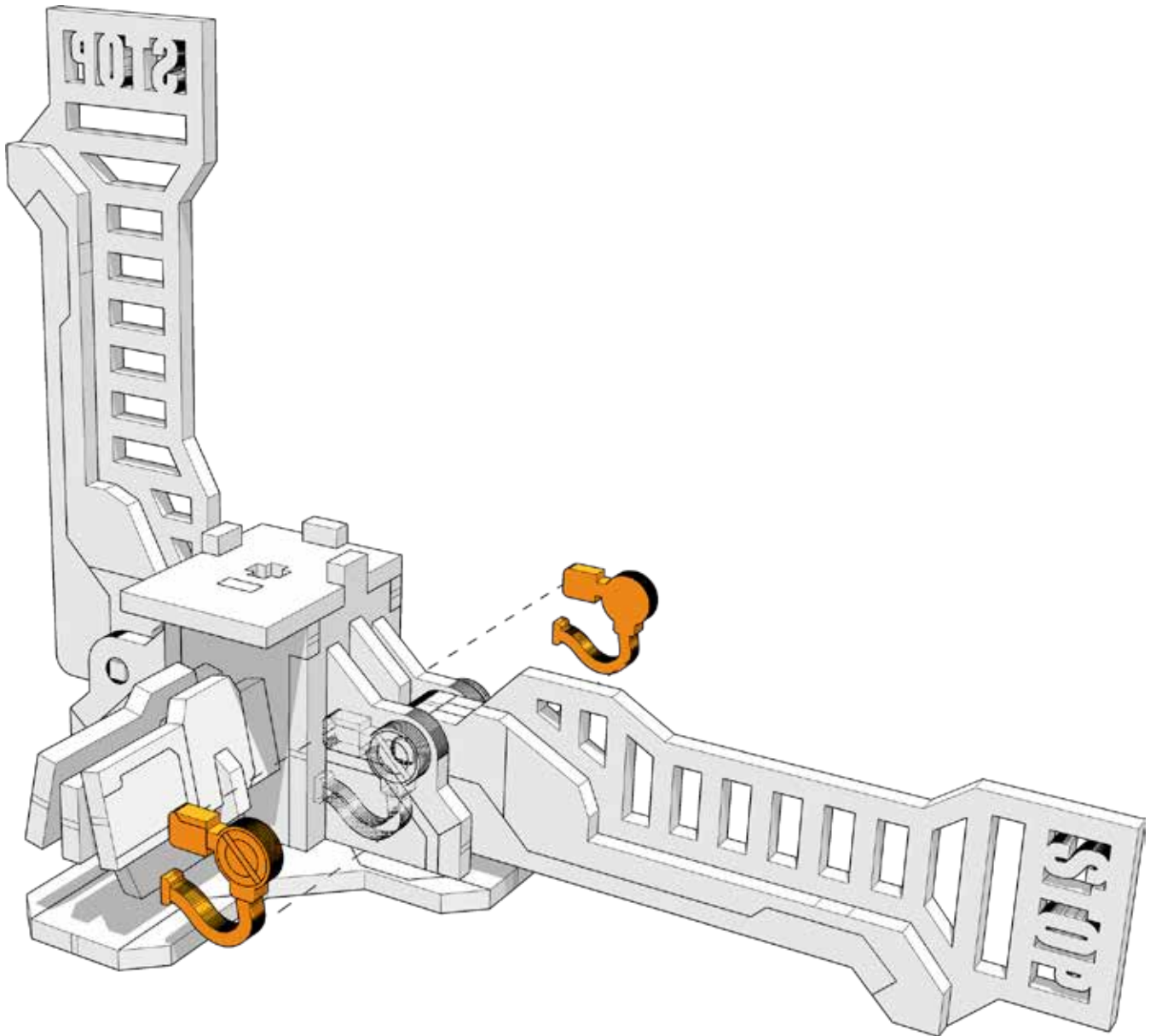




TABLETOP SCENICS

TTSCW-SFU-160
Slab Street
Accessories

49



Highlighted parts cover the gate pins. DO NOT get glue over the gate pins otherwise they wont move.



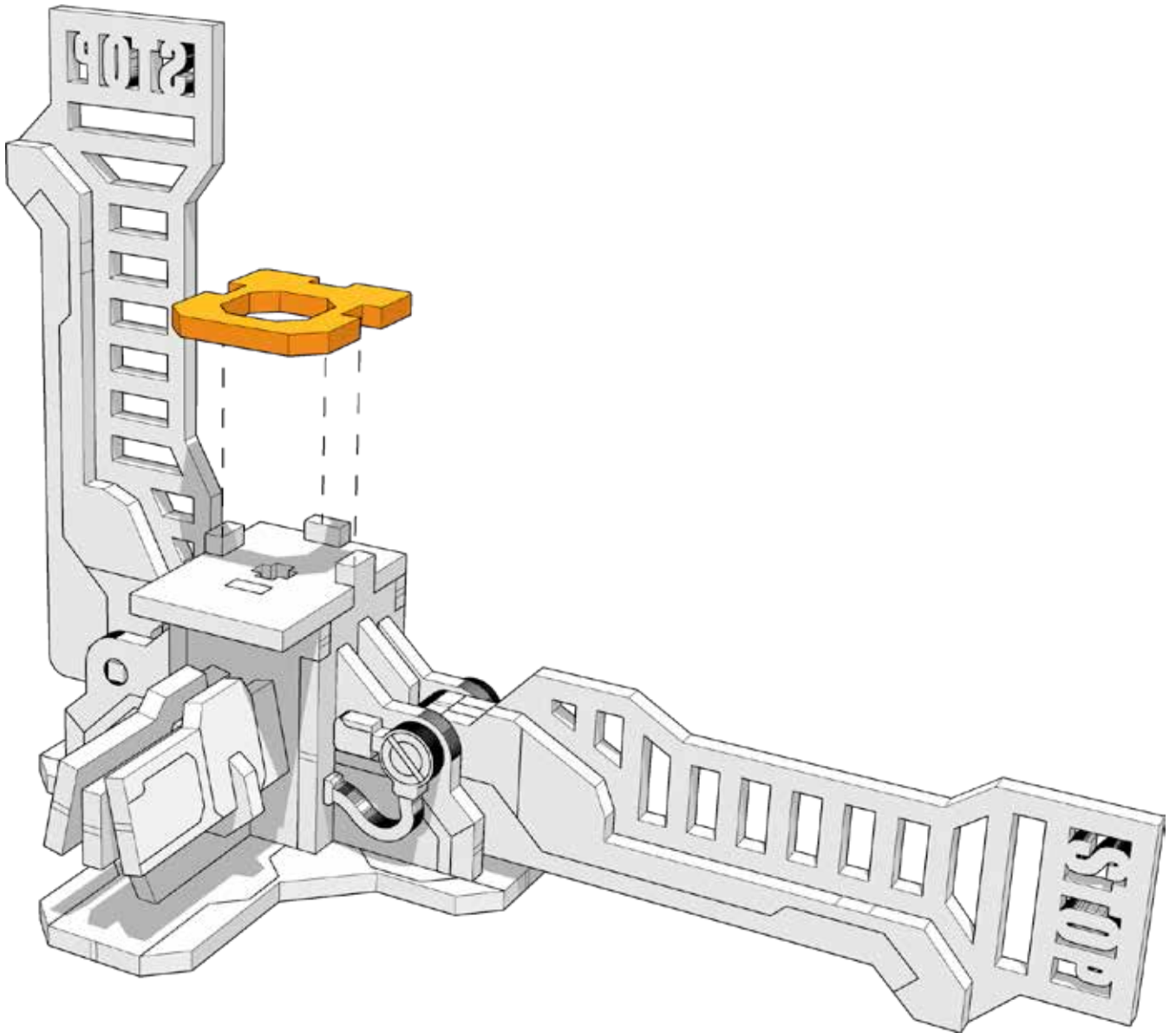
 **TTCOMBAT**



TABLETOP SCENICS

TTSCW-SFU-160
Slab Street
Accessories

50

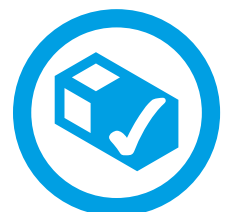
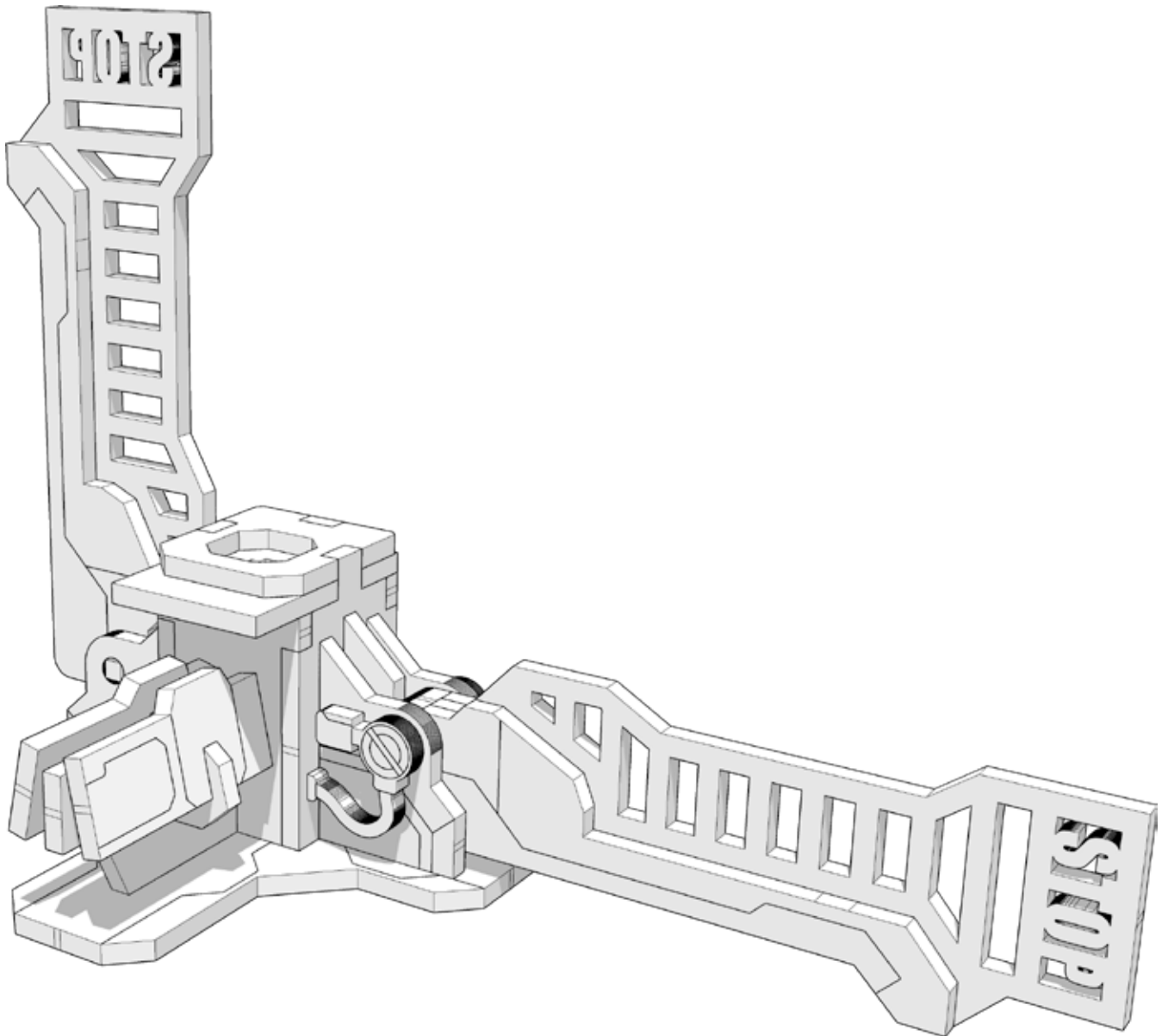




TABLETOP SCENICS

TTSCW-SFU-160
Slab Street
Accessories

51



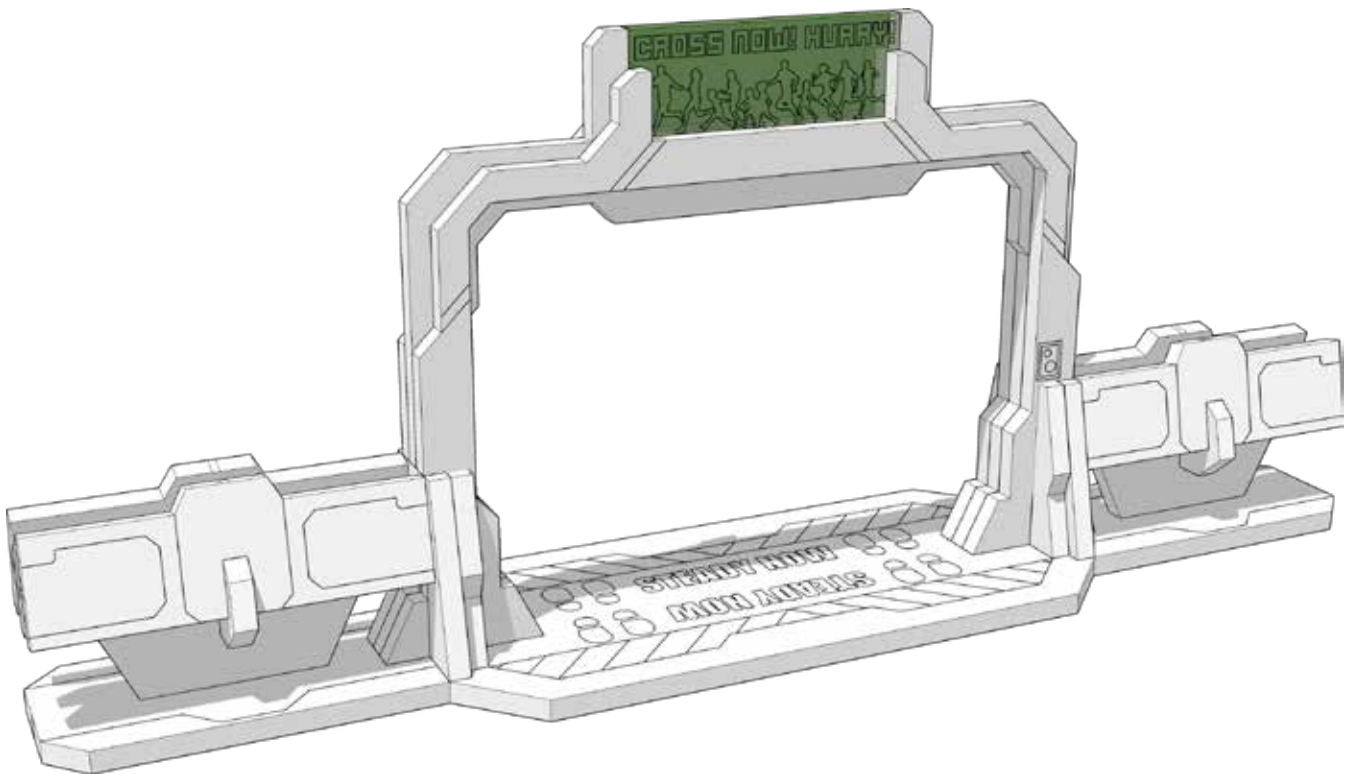
 **TTCOMBAT**



TABLETOP SCENICS

TTSCW-SFU-160
Slab Street
Accessories

52

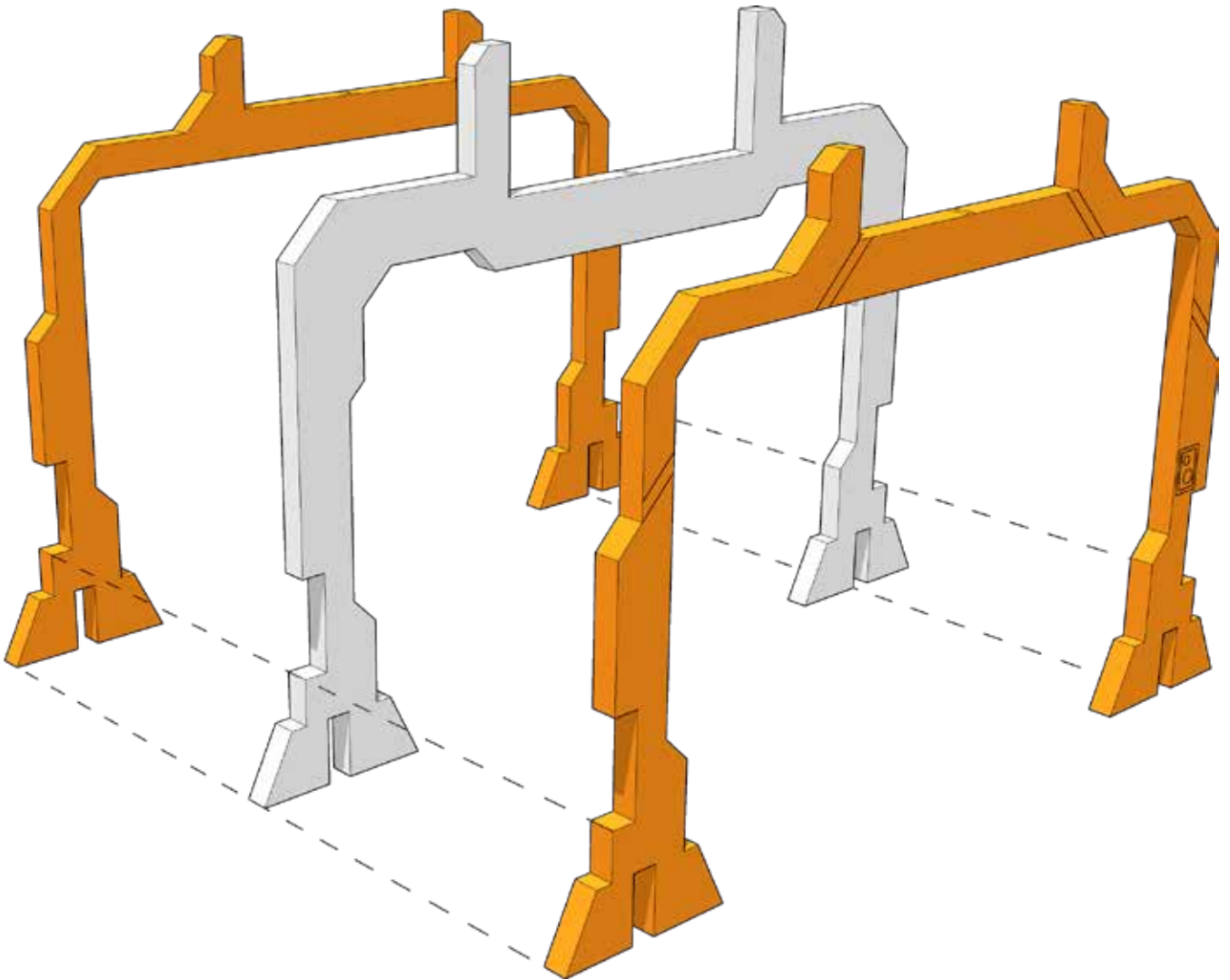




TABLETOP SCENICS

TTSCW-SFU-160
Slab Street
Accessories

53

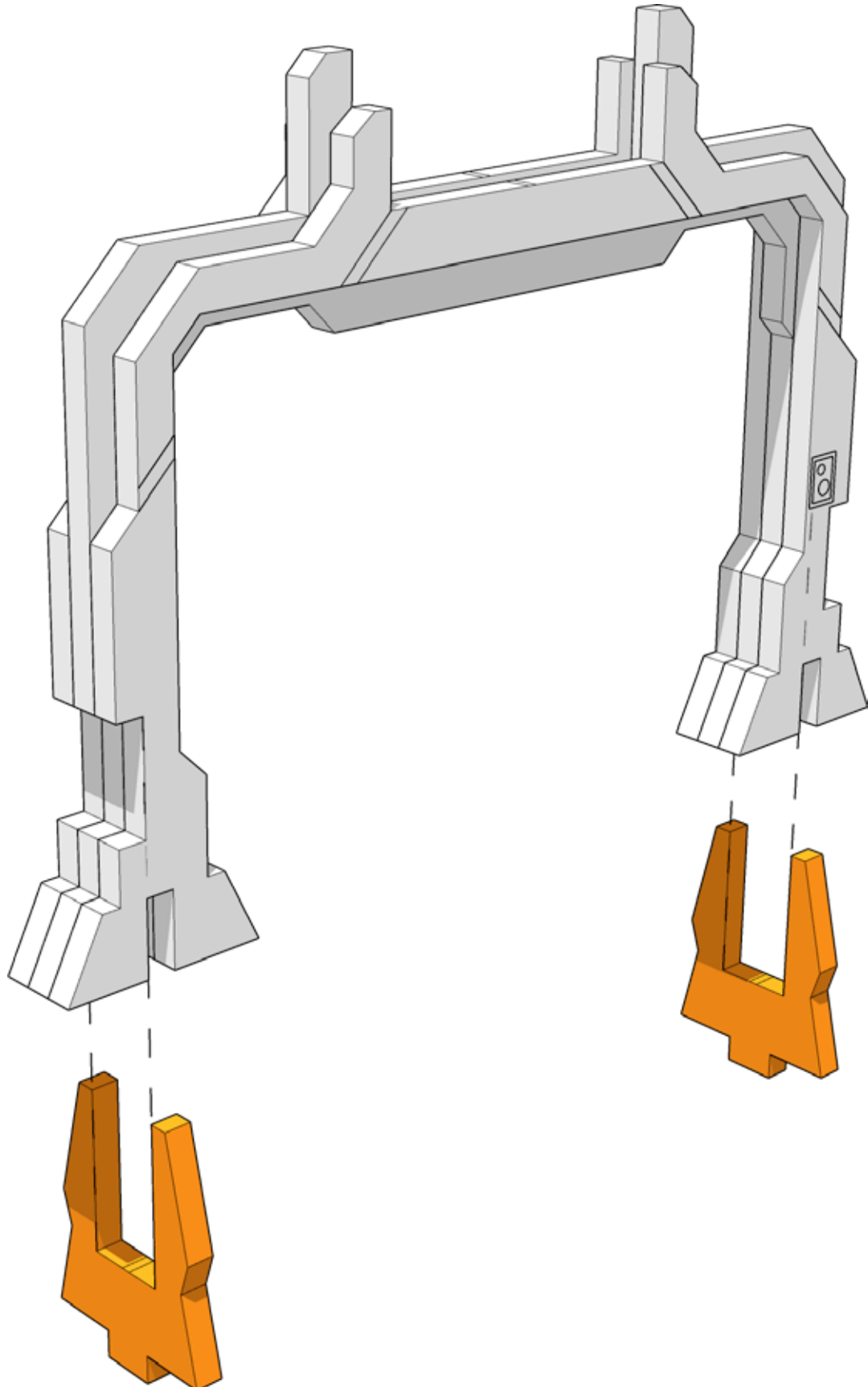




TABLETOP SCENICS

TTSCW-SFU-160
Slab Street
Accessories

54

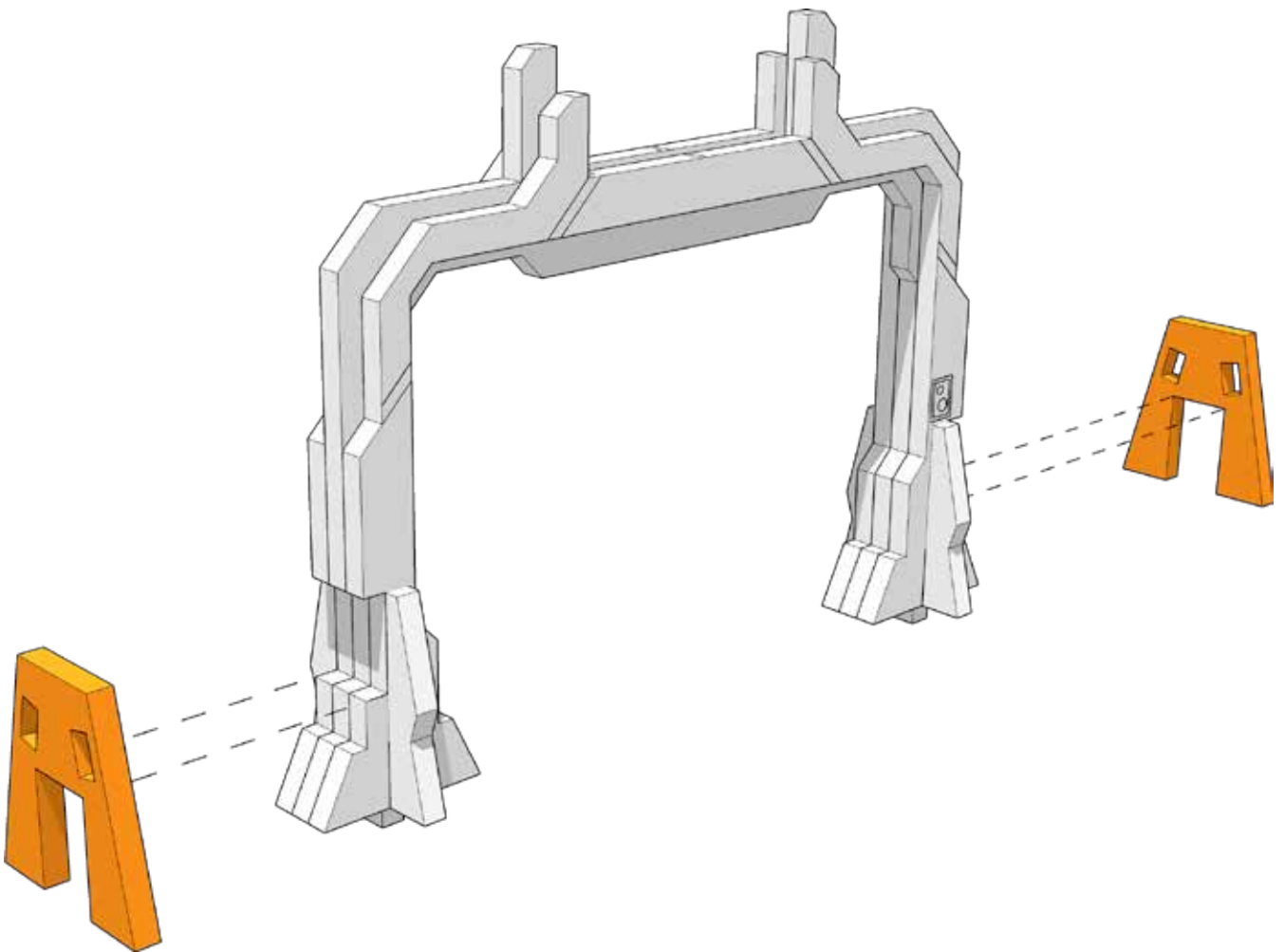




TABLETOP SCENICS

TTSCW-SFU-160
Slab Street
Accessories

55

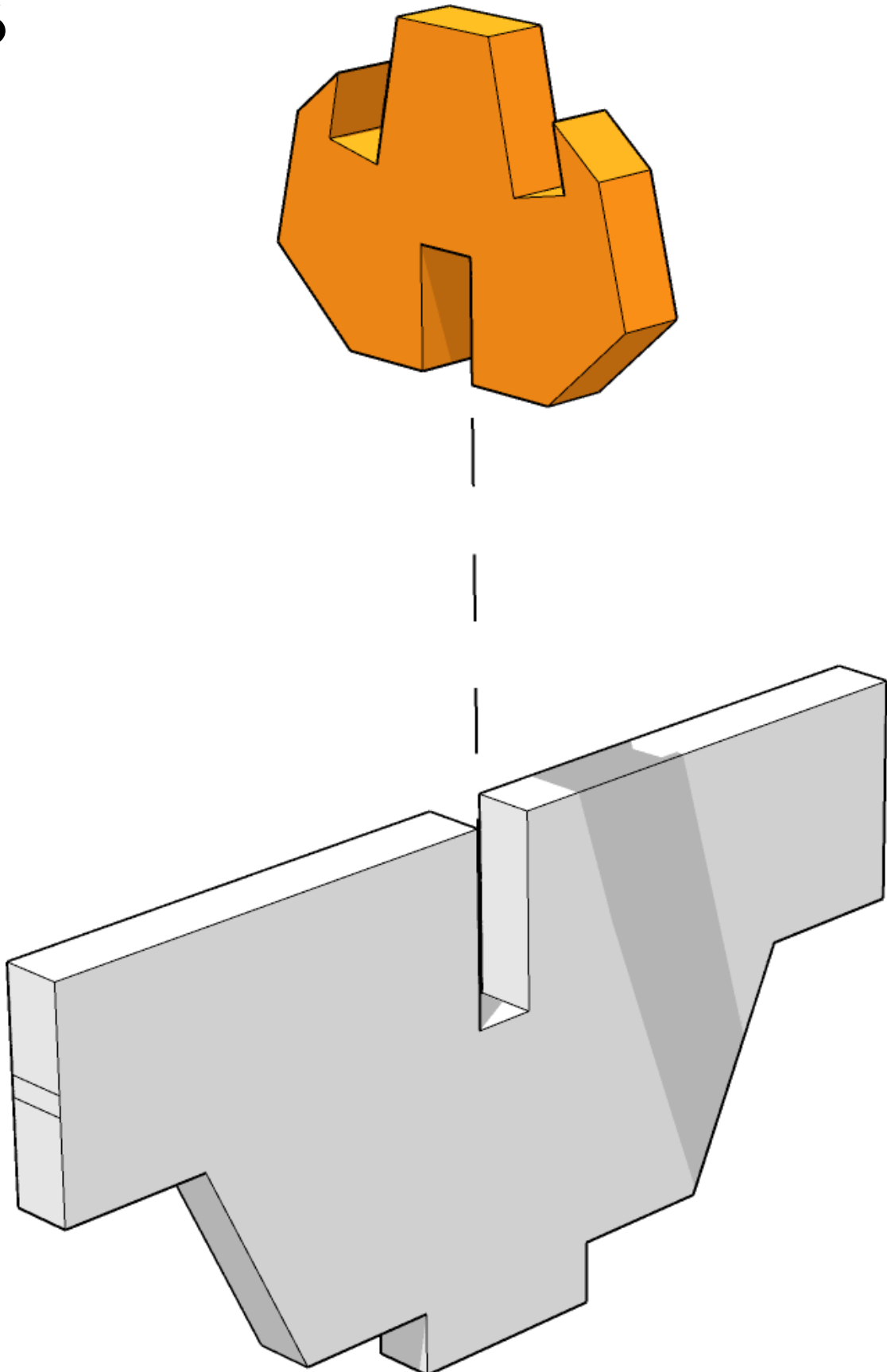




TABLETOP SCENICS

TTSCW-SFU-160
Slab Street
Accessories

56

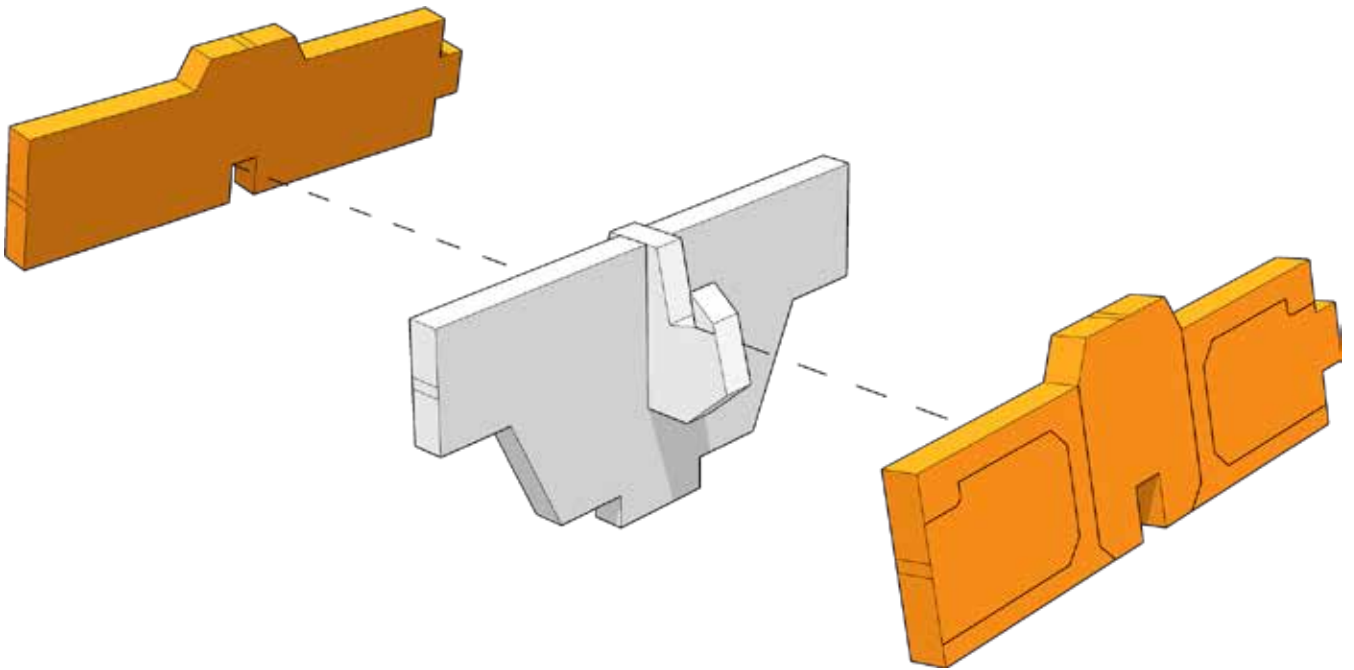




TABLETOP SCENICS

TTSCW-SFU-160
Slab Street
Accessories

57

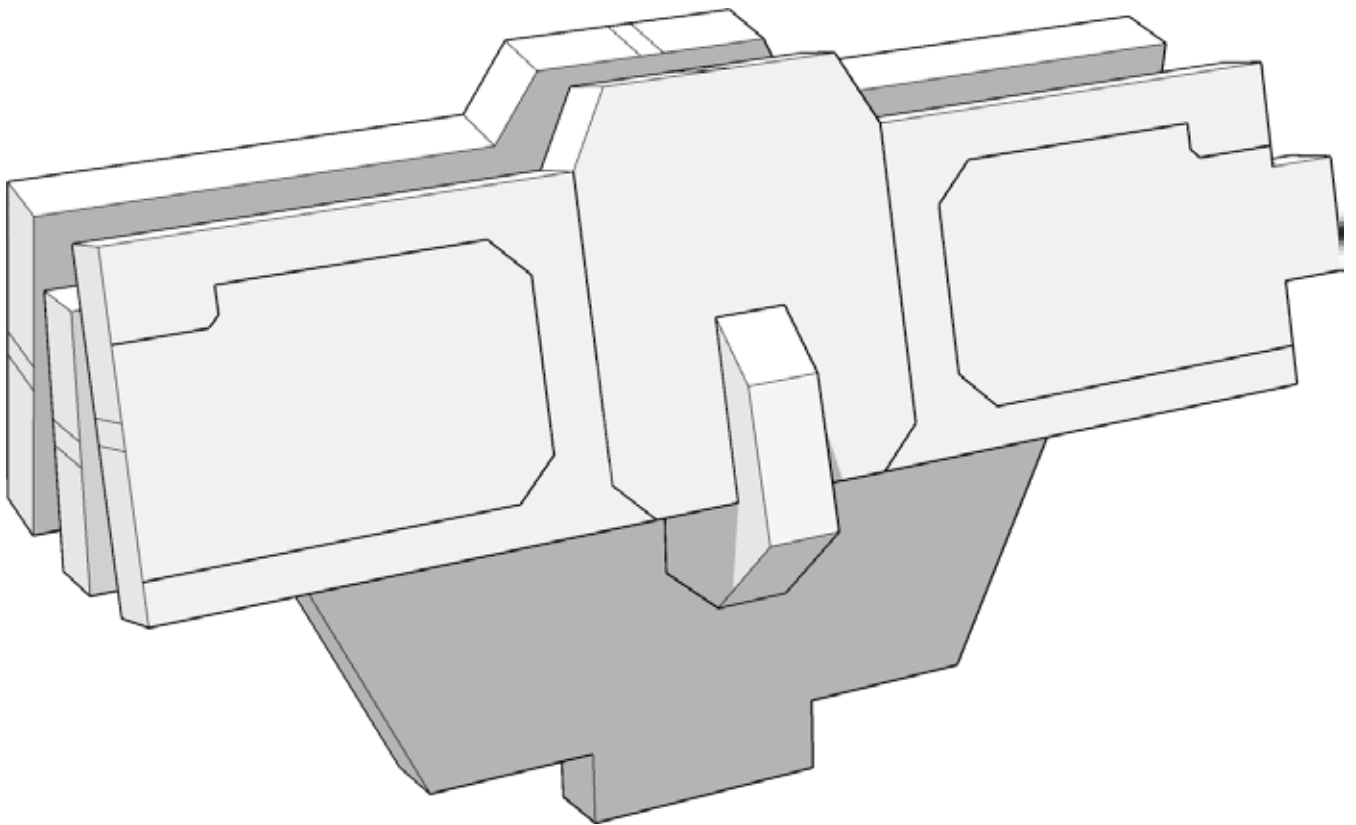




TABLETOP SCENICS

TTSCW-SFU-160
Slab Street
Accessories

58

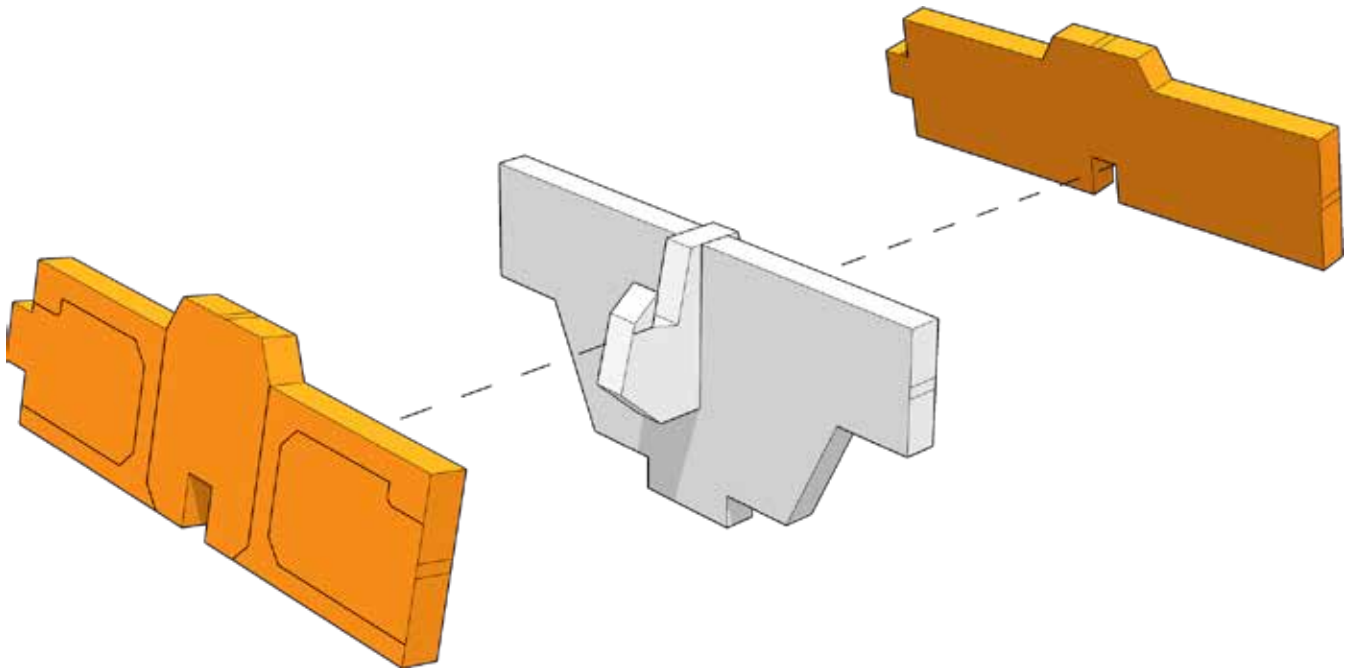




TABLETOP SCENICS

TTSCW-SFU-160
Slab Street
Accessories

59

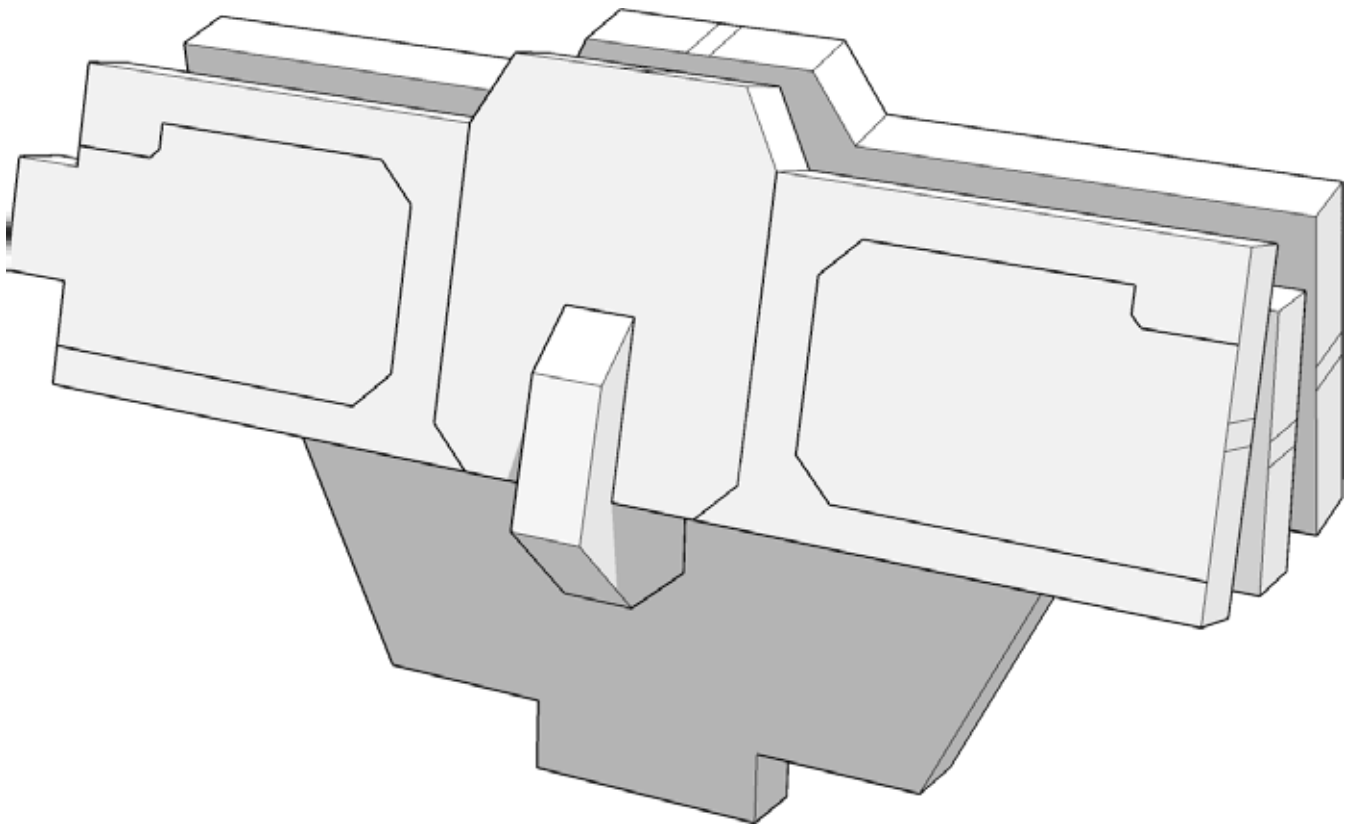




TABLETOP SCENICS

TTSCW-SFU-160
Slab Street
Accessories

60

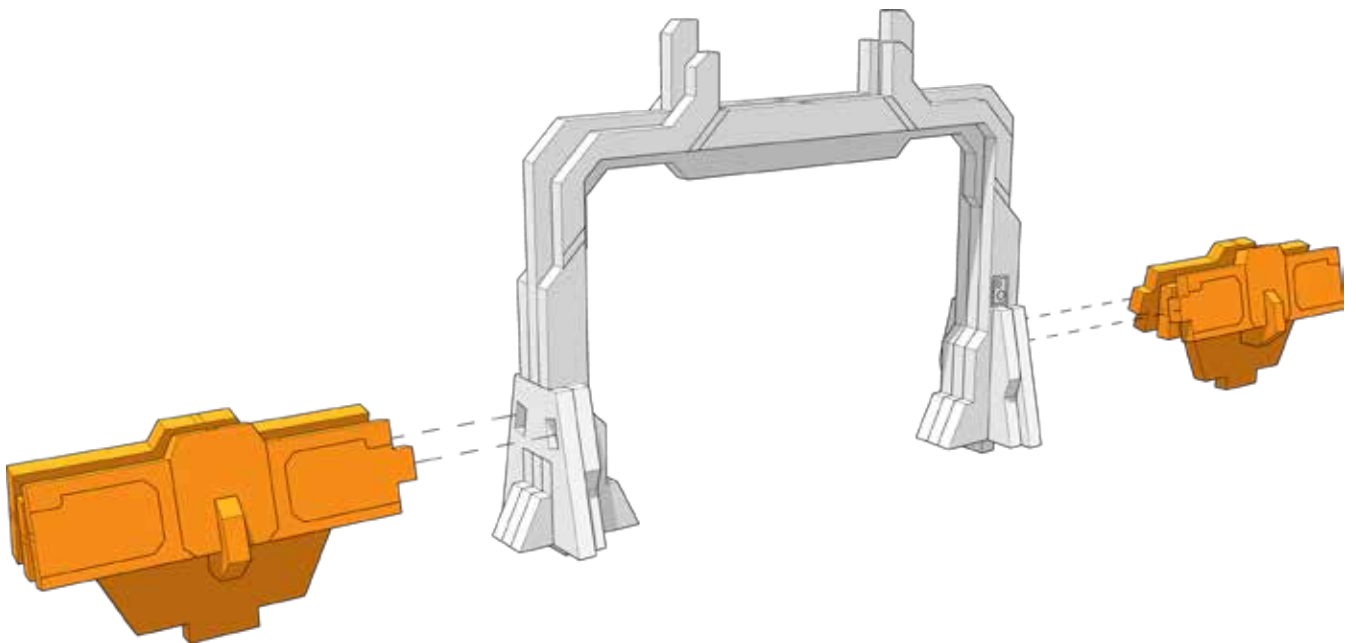




TABLETOP SCENICS

TTSCW-SFU-160
Slab Street
Accessories

61

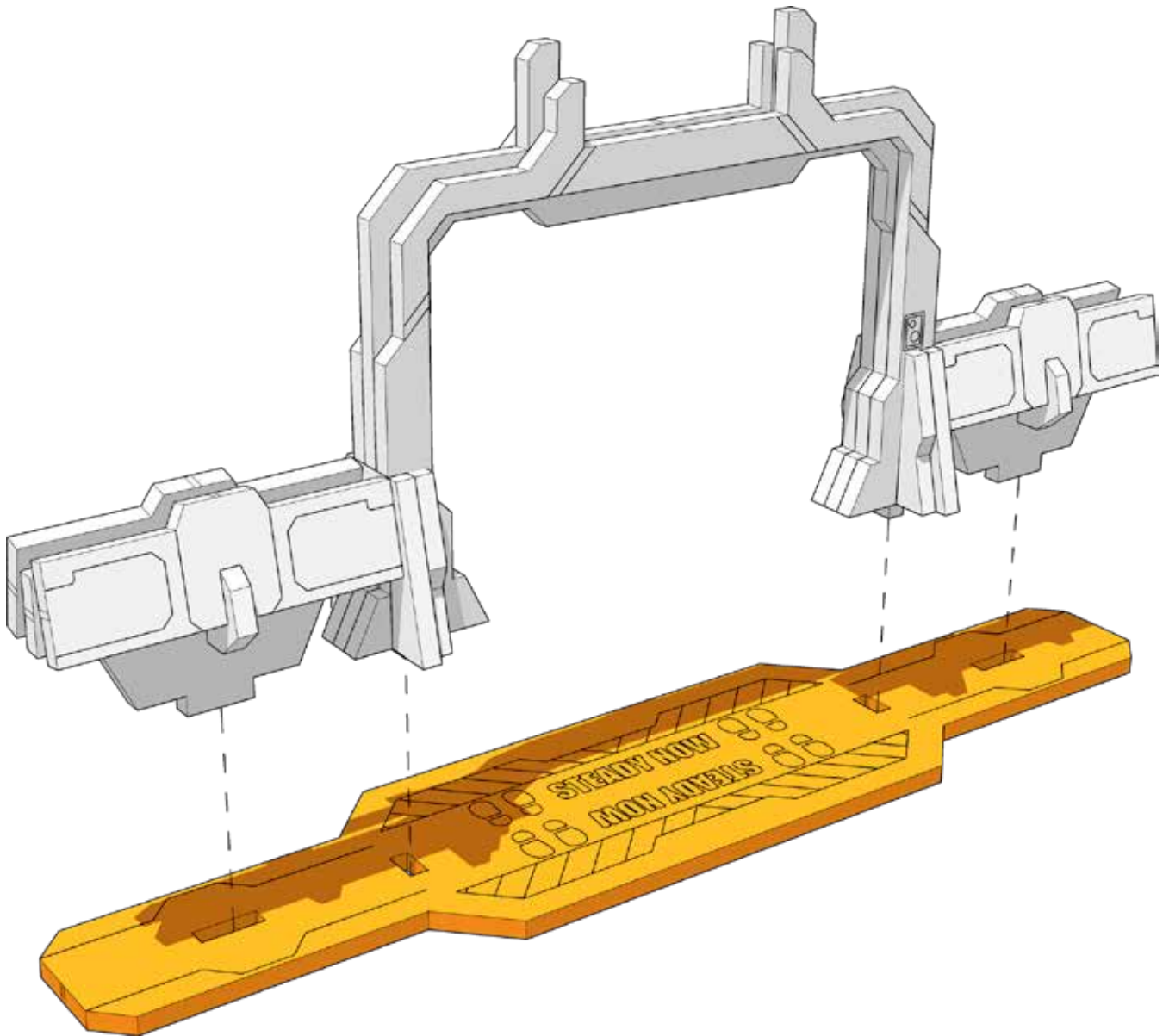




TABLETOP SCENICS

TTSCW-SFU-160
Slab Street
Accessories

62

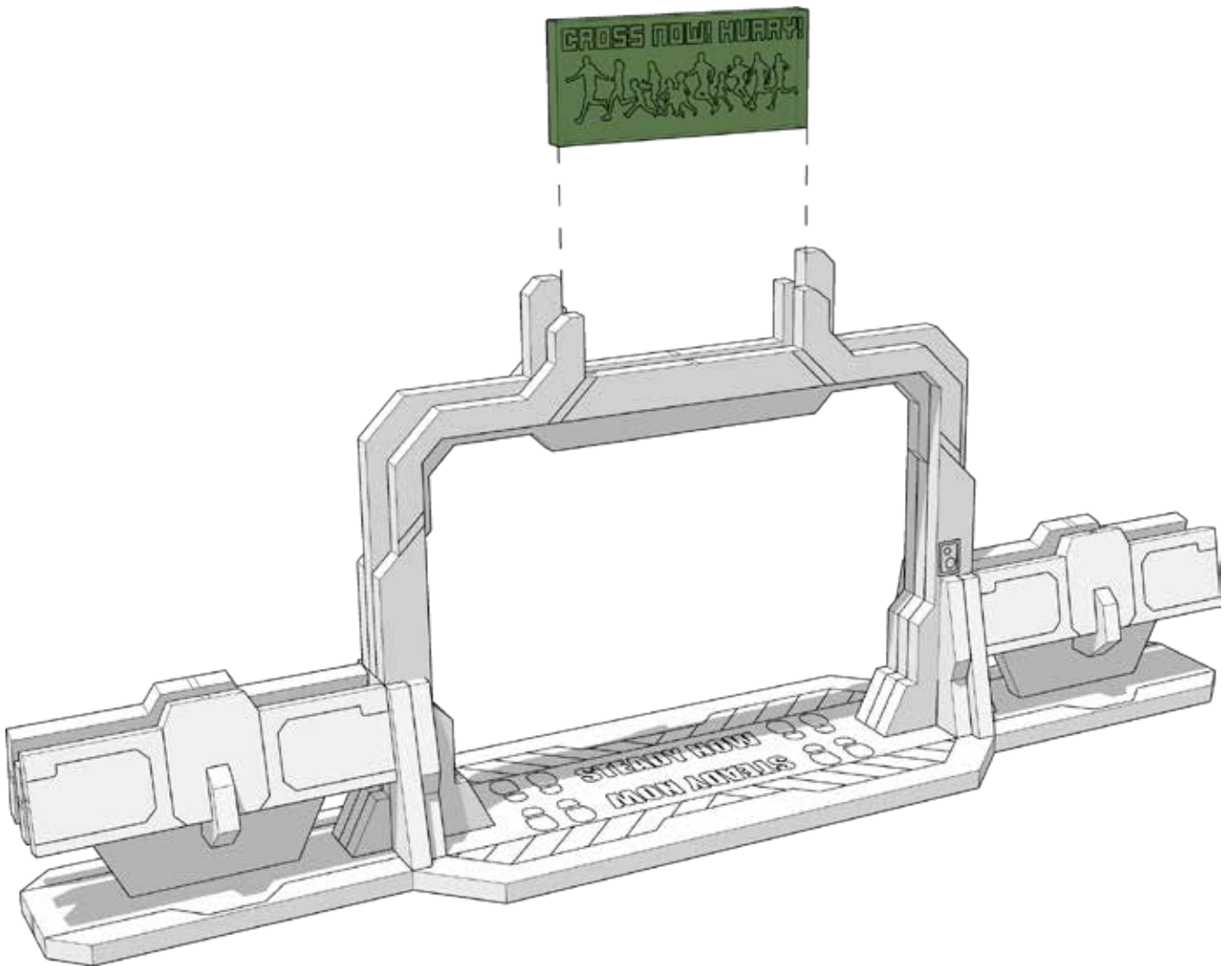




TABLETOP SCENICS

TTSCW-SFU-160
Slab Street
Accessories

63

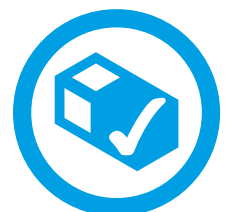
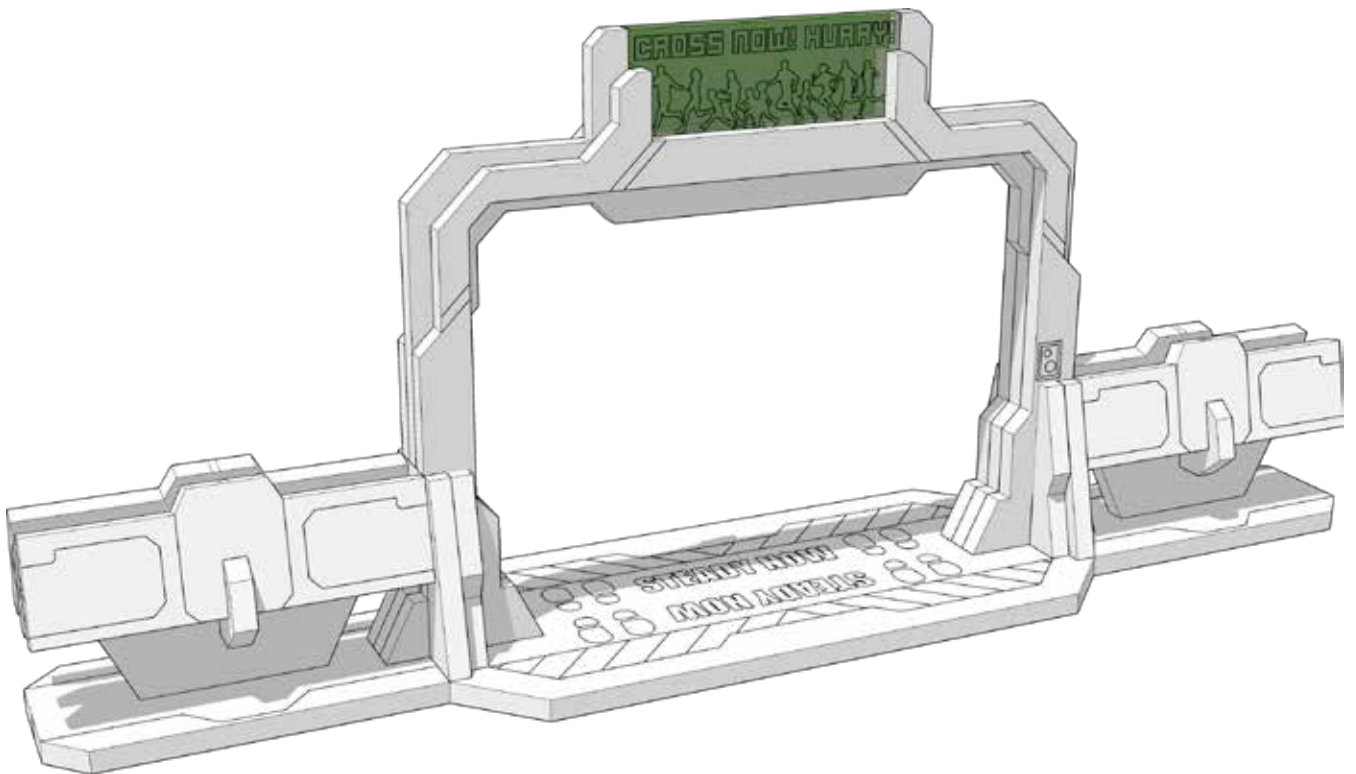




TABLETOP SCENICS

TTSCW-SFU-160
Slab Street
Accessories

64



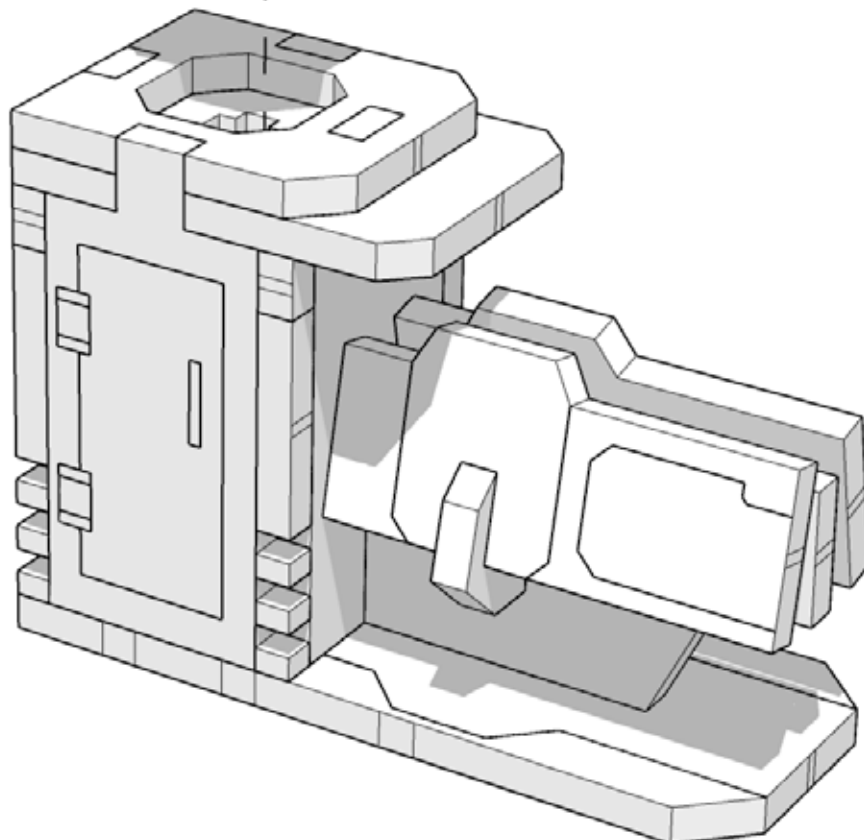
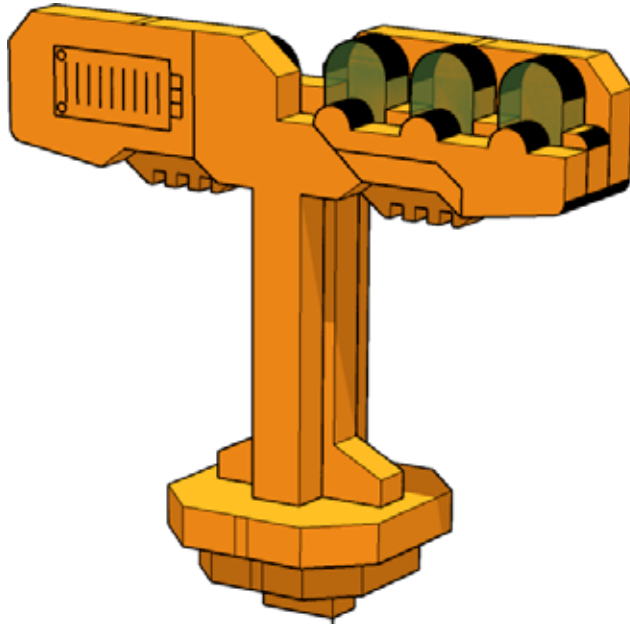
 **TTCOMBAT**



TABLETOP SCENICS

TTSCW-SFU-160
Slab Street
Accessories

65



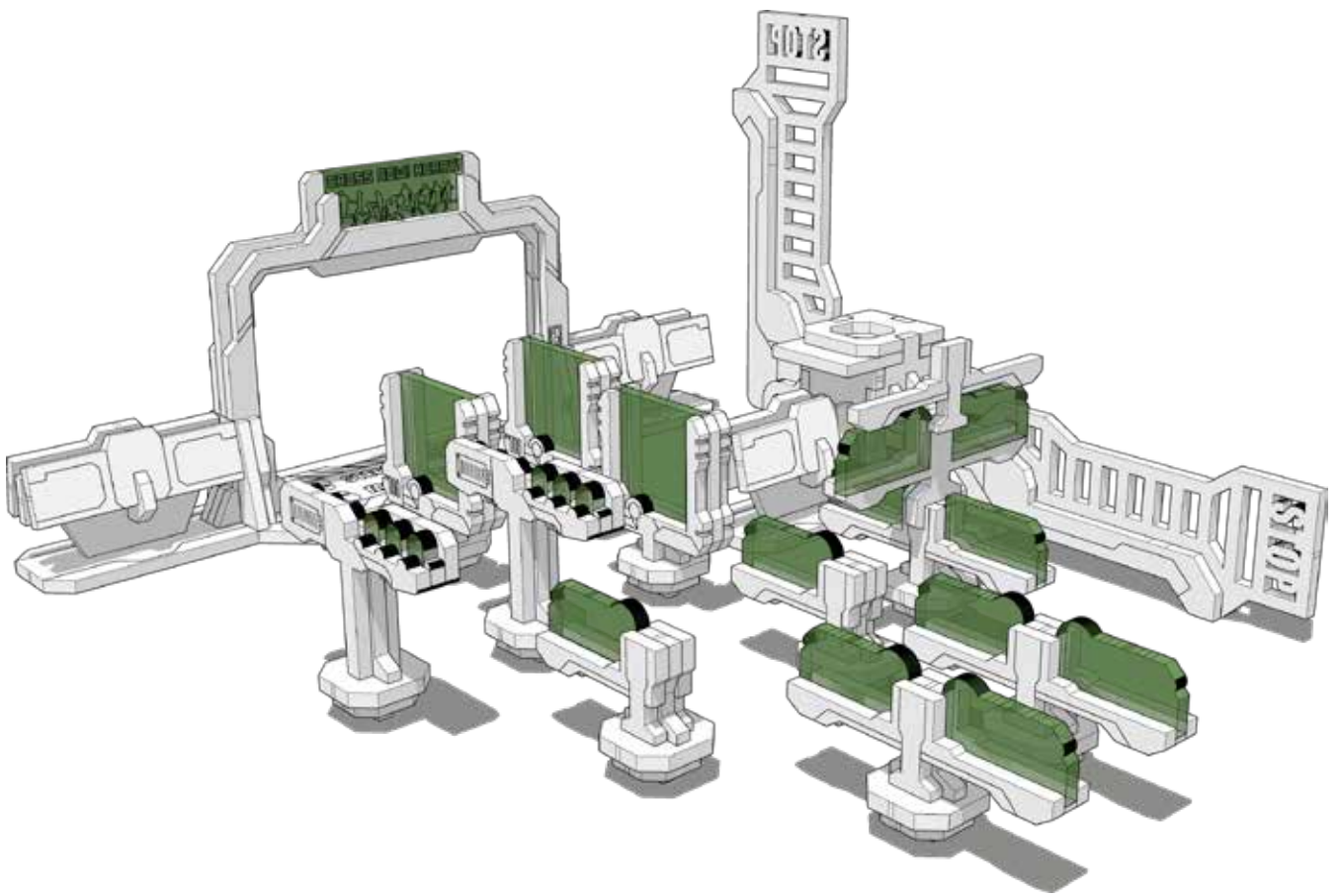
Accessories fit into junction sections as shown



TABLETOP SCENICS

TTSCW-SFU-160
Slab Street
Accessories

66



 **TTCOMBAT**