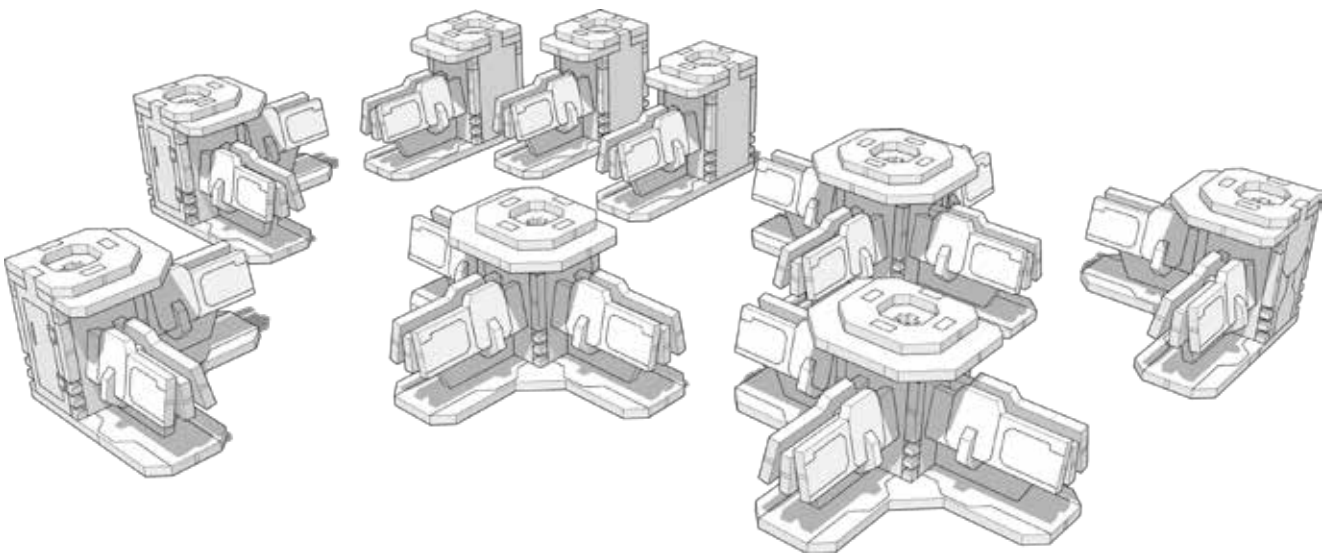




# TABLETOP SCENICS

**TTSCW-SFU-159**  
**Slab Street**  
**Junctions**



 **TTCOMBAT**



# TABLETOP SCENICS

**TTSCW-SFU-159**  
**Slab Street**  
**Junctions**

## 2

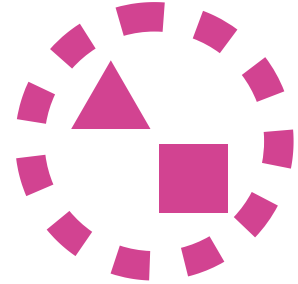
These are a series of icons that may be used throughout the instructions to help your assembly.  
If in doubt, scroll ahead to confirm.



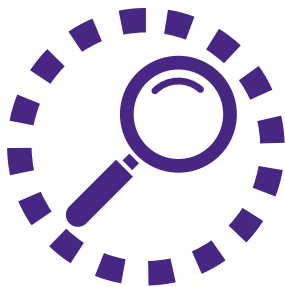
Do not glue this part



Carefully score and  
fold this part



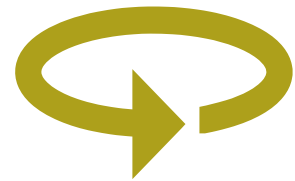
This part - or its placement is  
completely optional



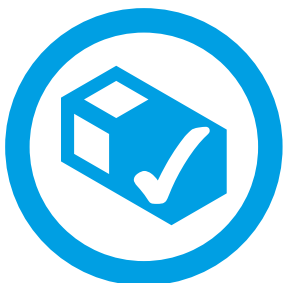
Look closely at this step -  
The process order or part  
used, may be specific



Repeat making this part  
the specified number  
of times



The next instruction step  
will be the same assembly  
so far, but from a different  
angle



Sub-assembly complete.  
This smaller construction  
is ready to add to the  
main kit



Assembly Complete! There  
could be more optional  
parts - check to the very end  
of instructions



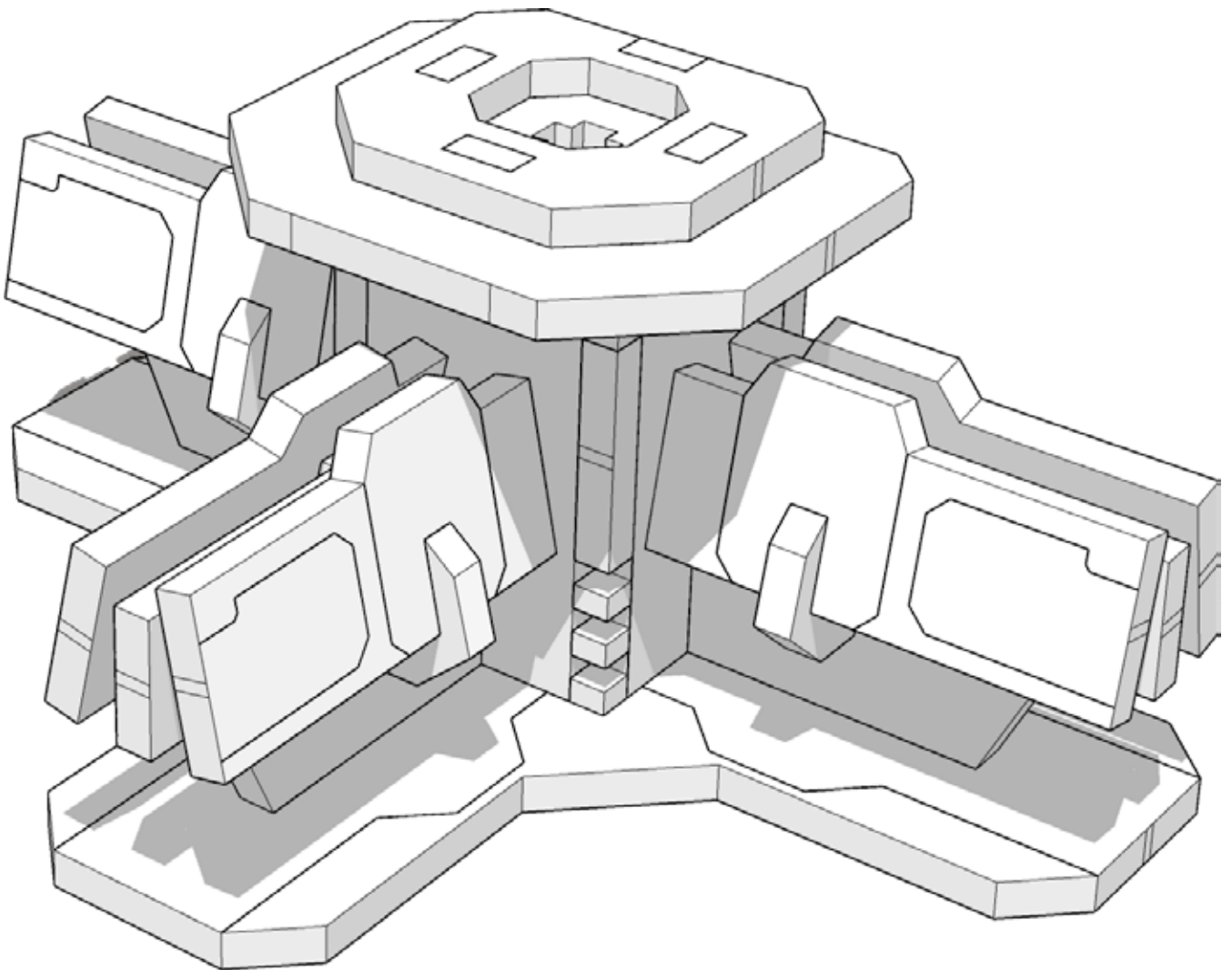
FRAGILE: DO NOT BEND.  
“Bendy wood” is designed to  
curve around a designed  
frame only.



# TABLETOP SCENICS

TTSCW-SFU-159  
Slab Street  
Junctions

3



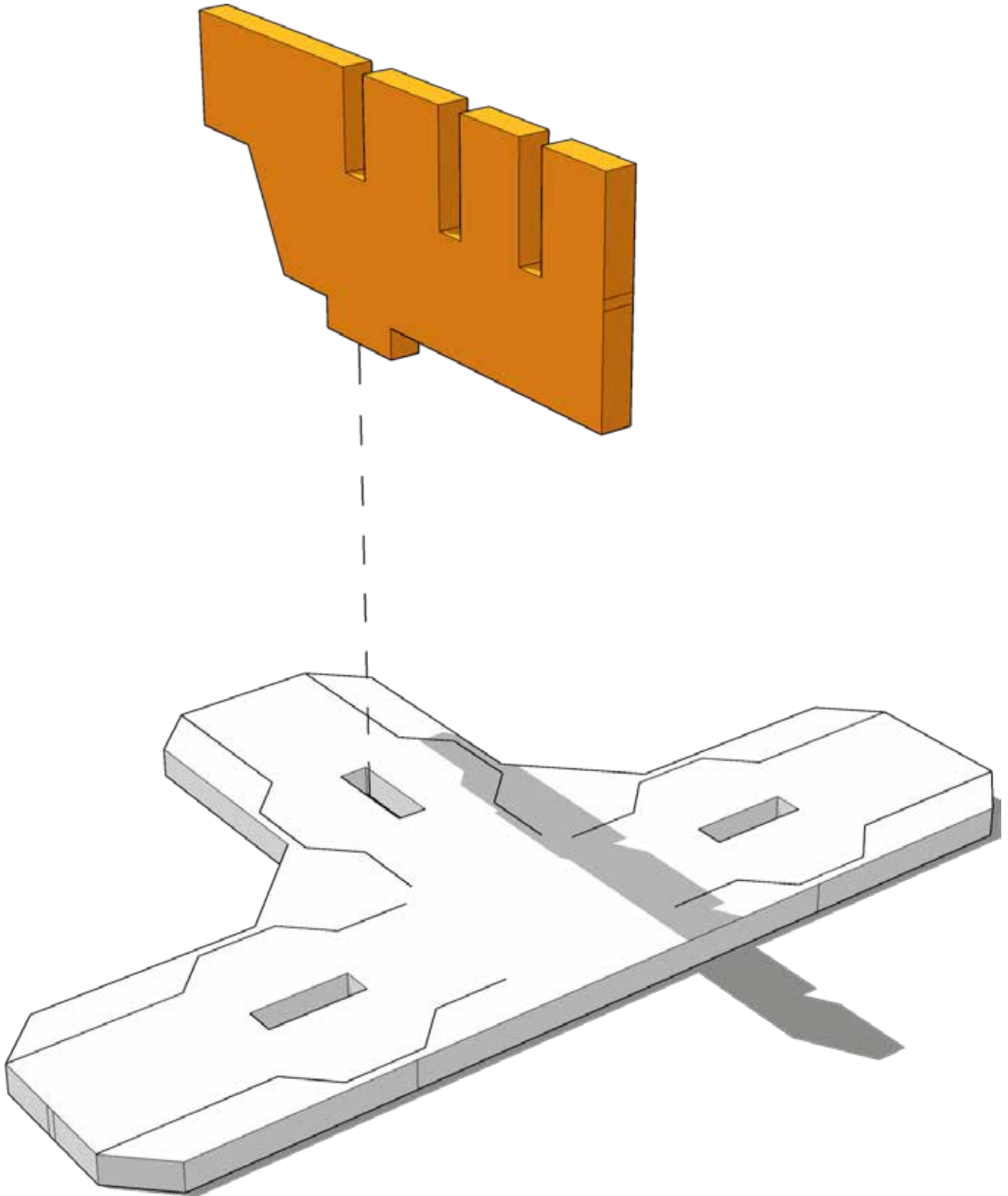
T-Junction



# TABLETOP SCENICS

**TTSCW-SFU-159**  
**Slab Street**  
**Junctions**

**4**

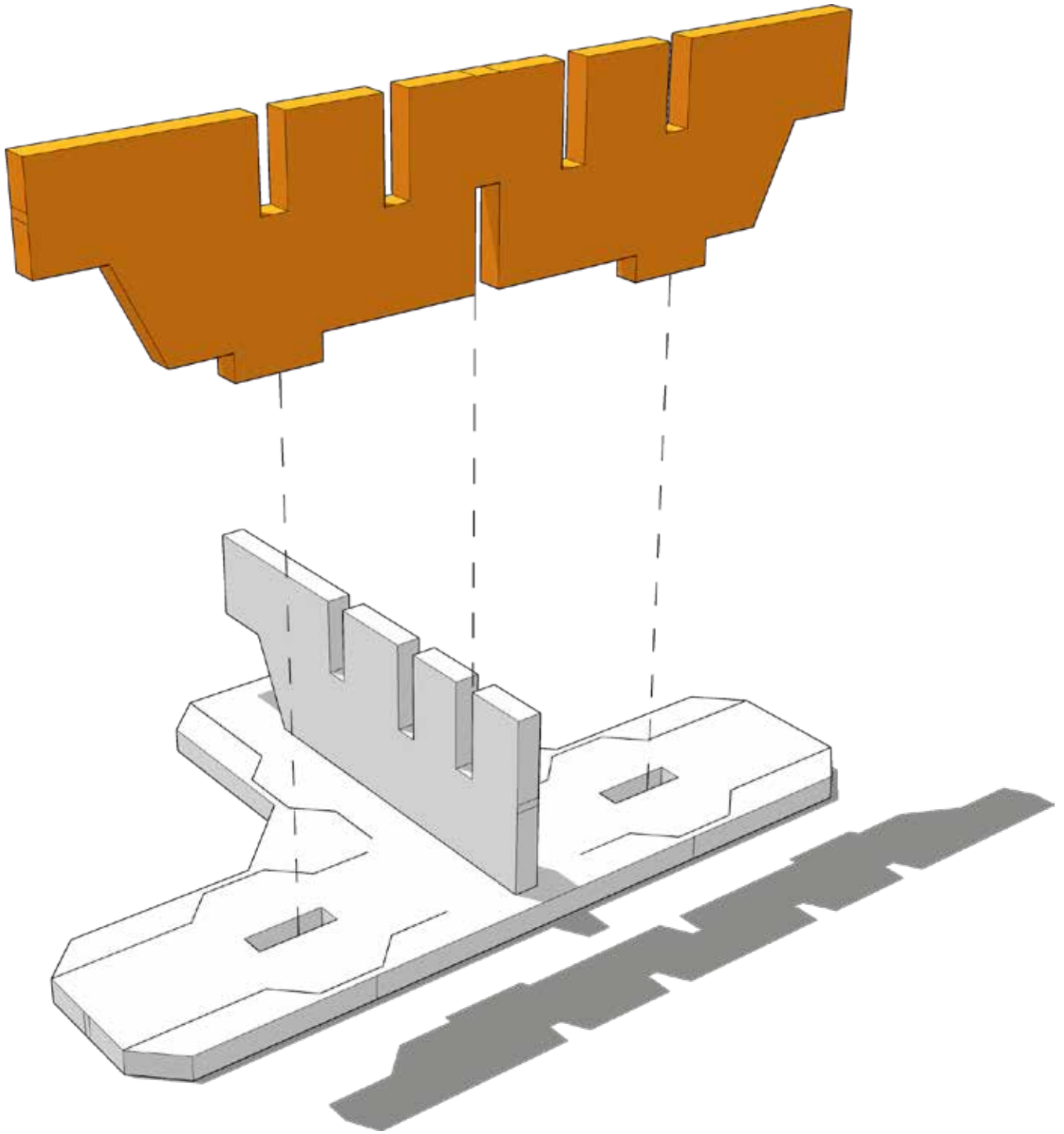




# TABLETOP SCENICS

TTSCW-SFU-159  
Slab Street  
Junctions

5

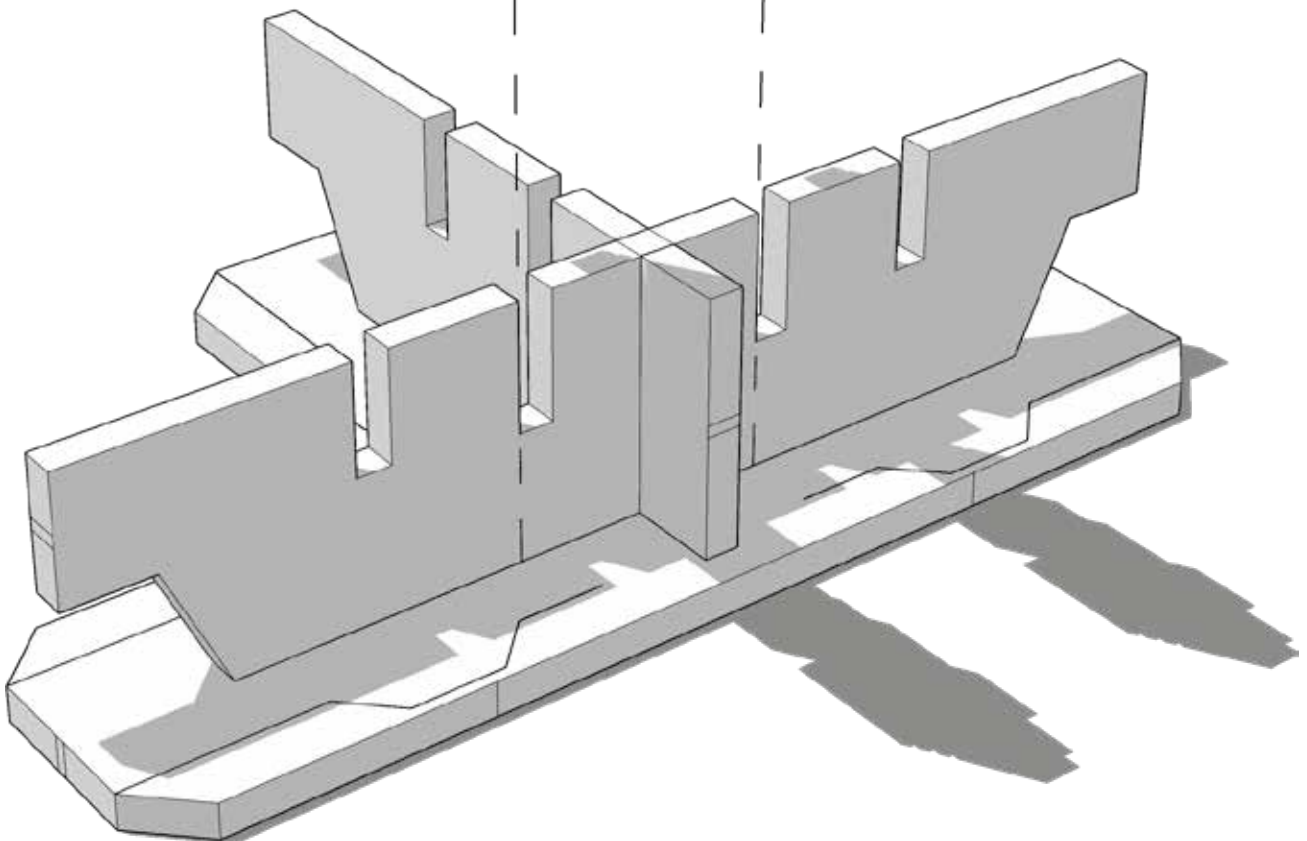
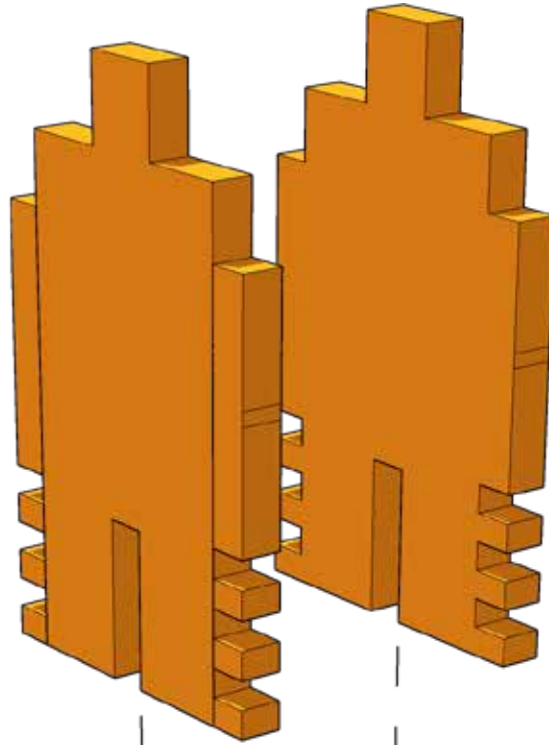




# TABLETOP SCENICS

TTSCW-SFU-159  
Slab Street  
Junctions

6

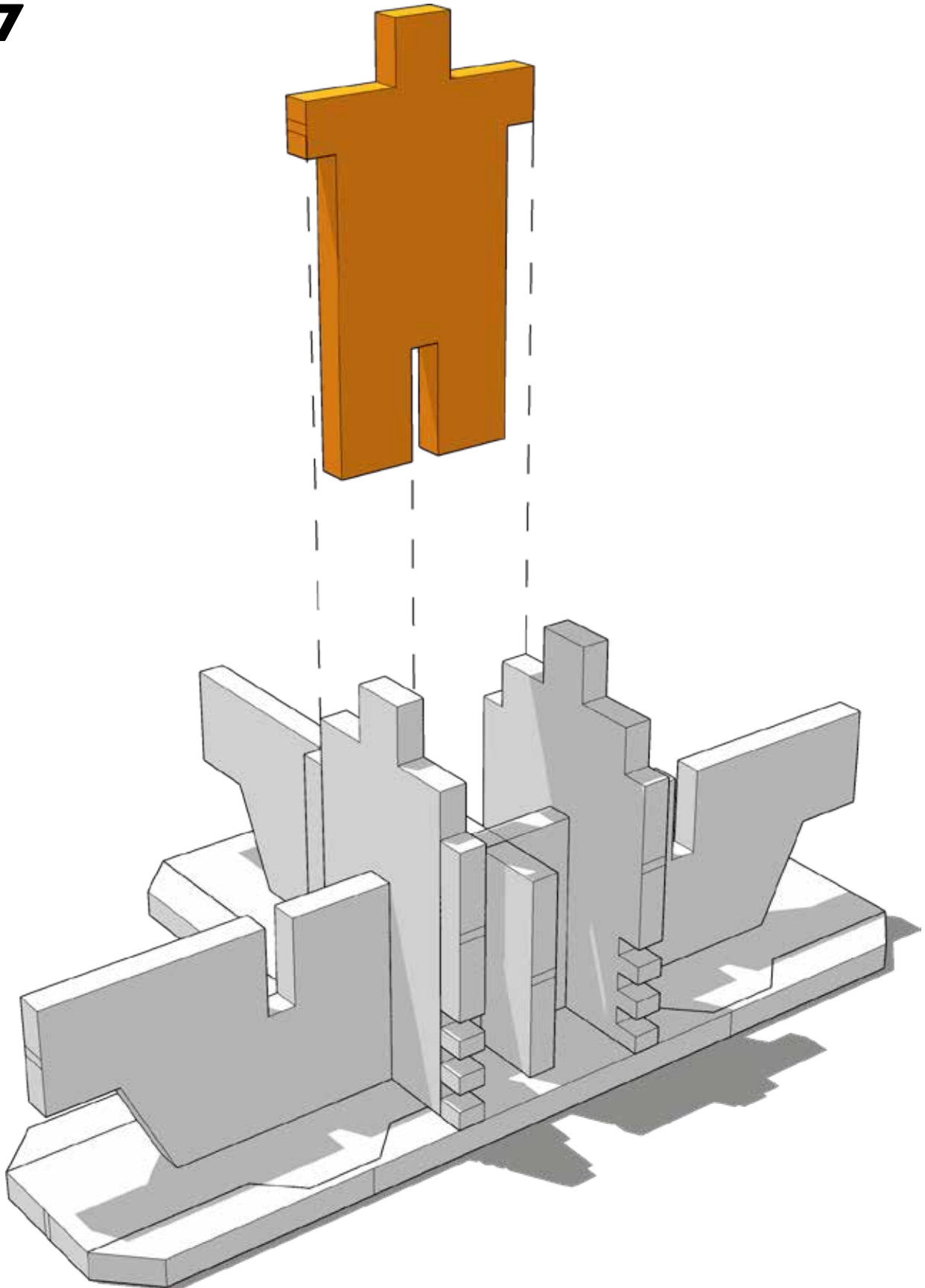




# TABLETOP SCENICS

**TTSCW-SFU-159**  
**Slab Street**  
**Junctions**

**7**

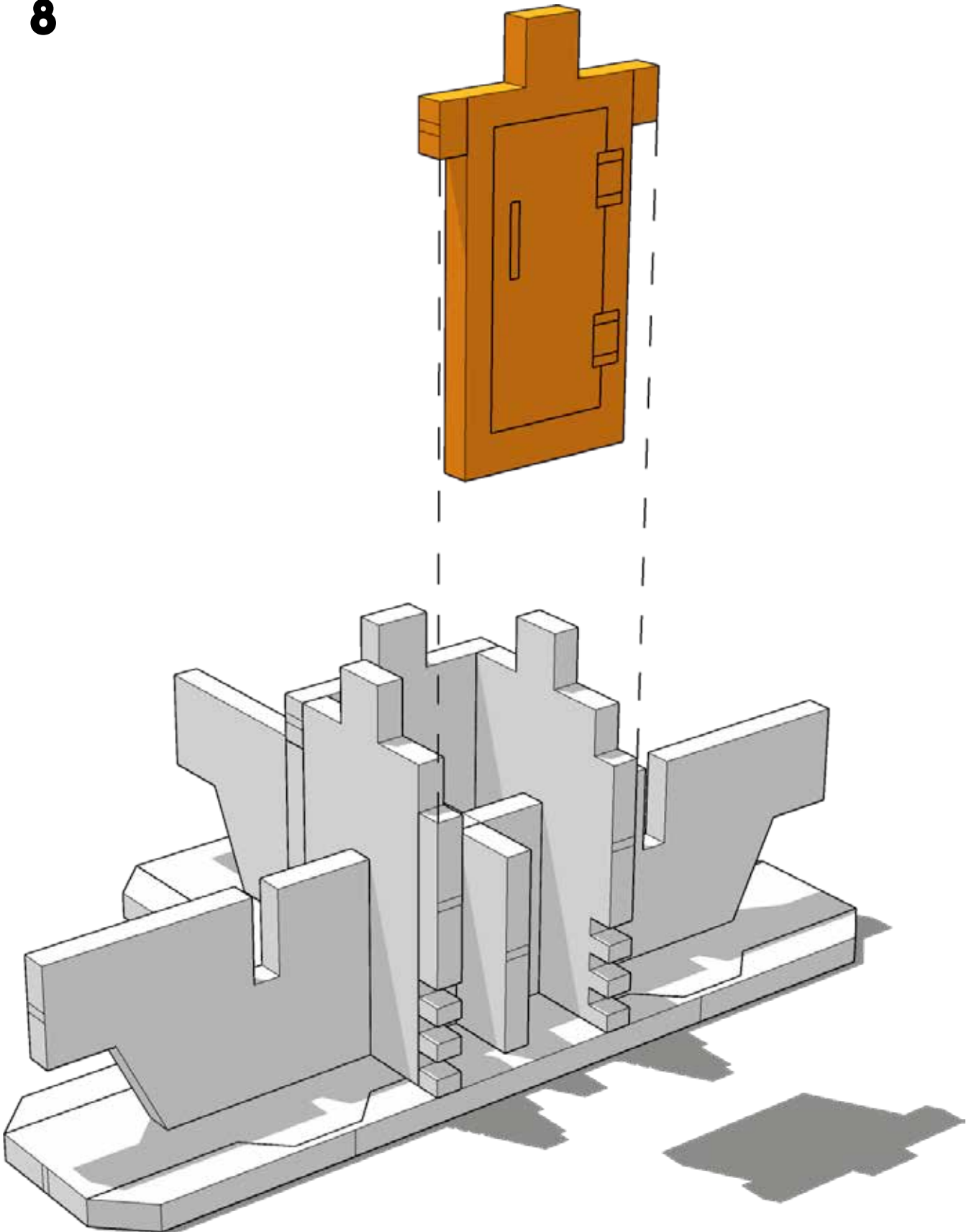




# TABLETOP SCENICS

**TTSCW-SFU-159**  
**Slab Street**  
**Junctions**

**8**



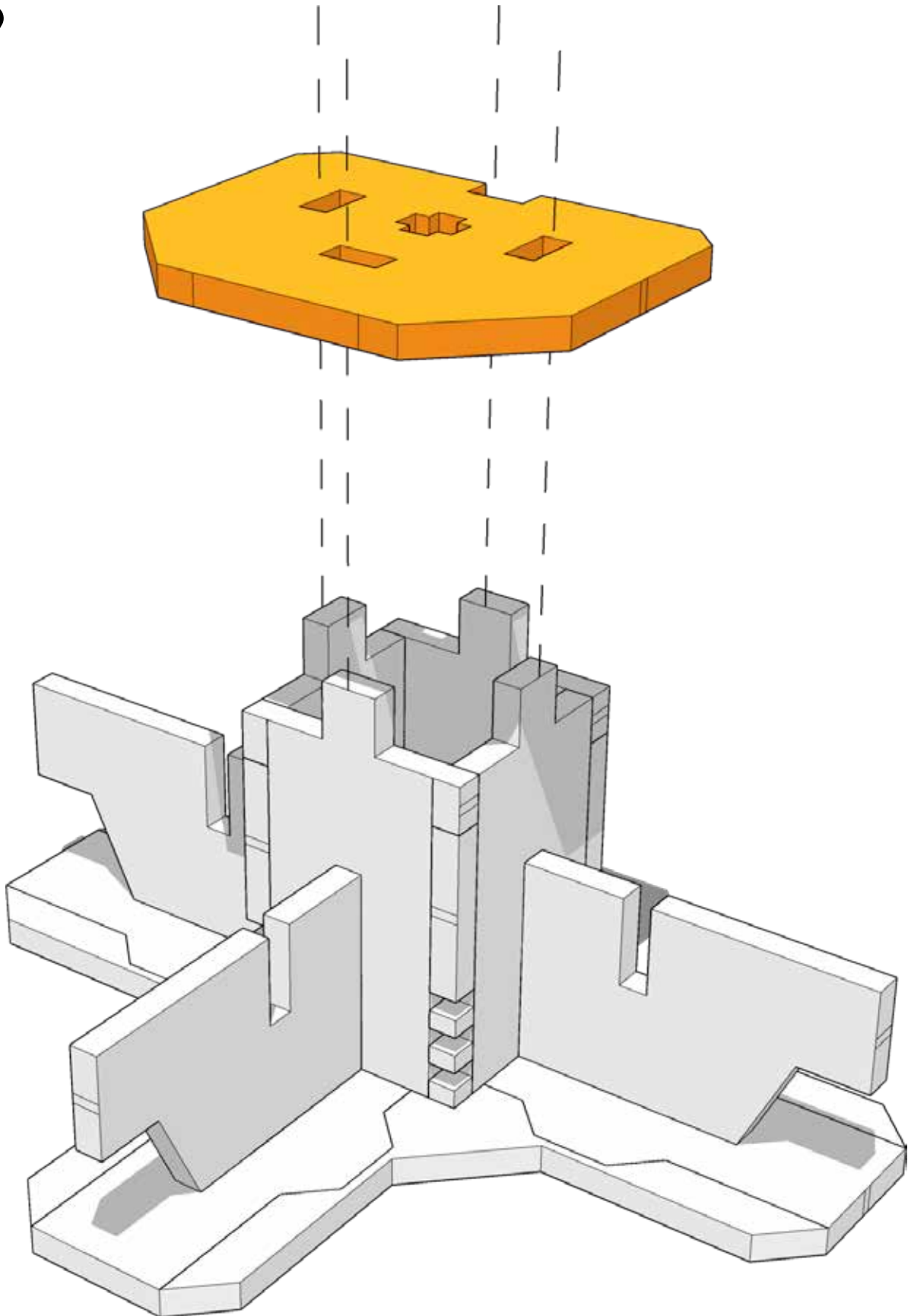




# TABLETOP SCENICS

**TTSCW-SFU-159**  
**Slab Street**  
**Junctions**

**9**

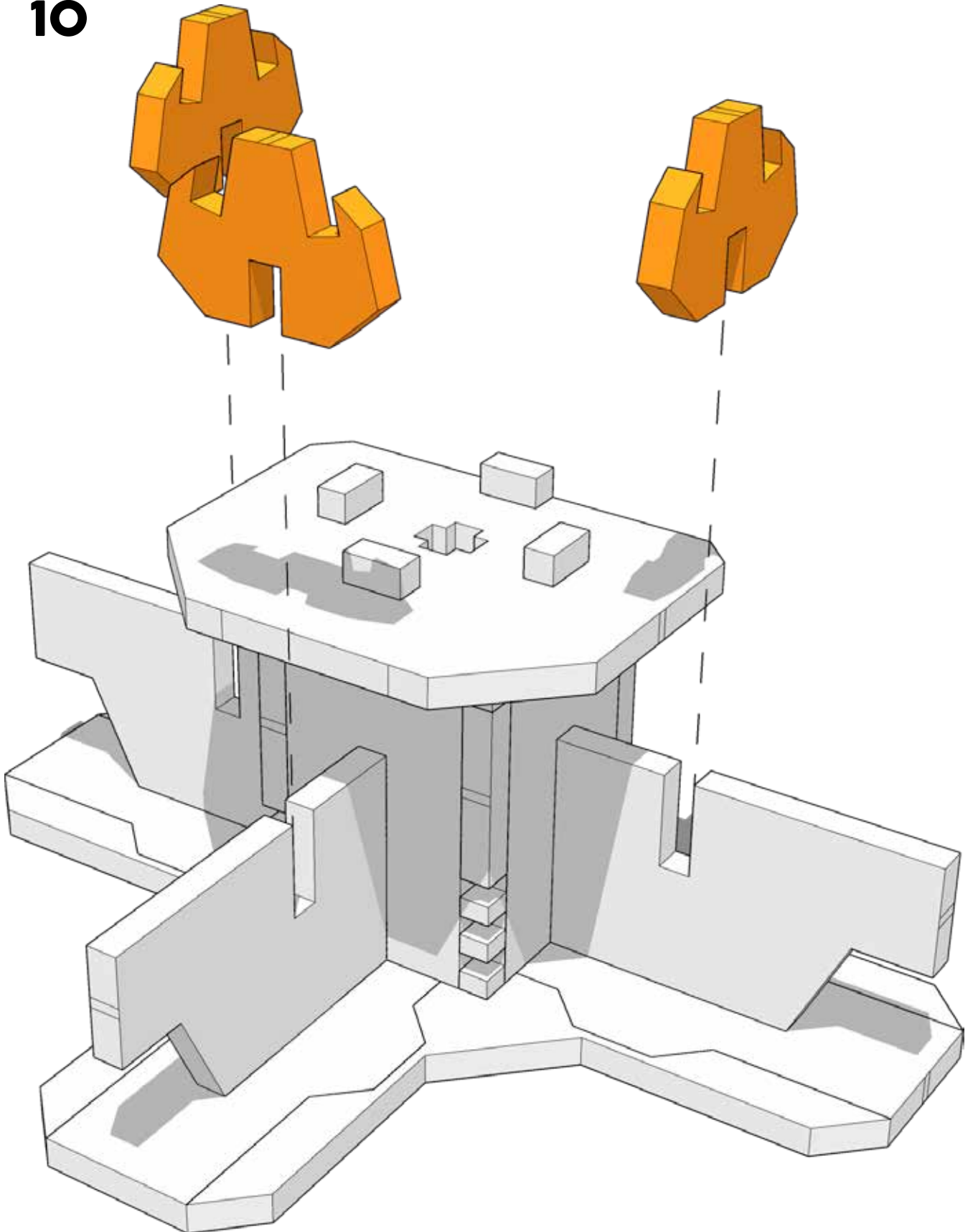




# TABLETOP SCENICS

**TTSCW-SFU-159**  
**Slab Street**  
**Junctions**

**10**

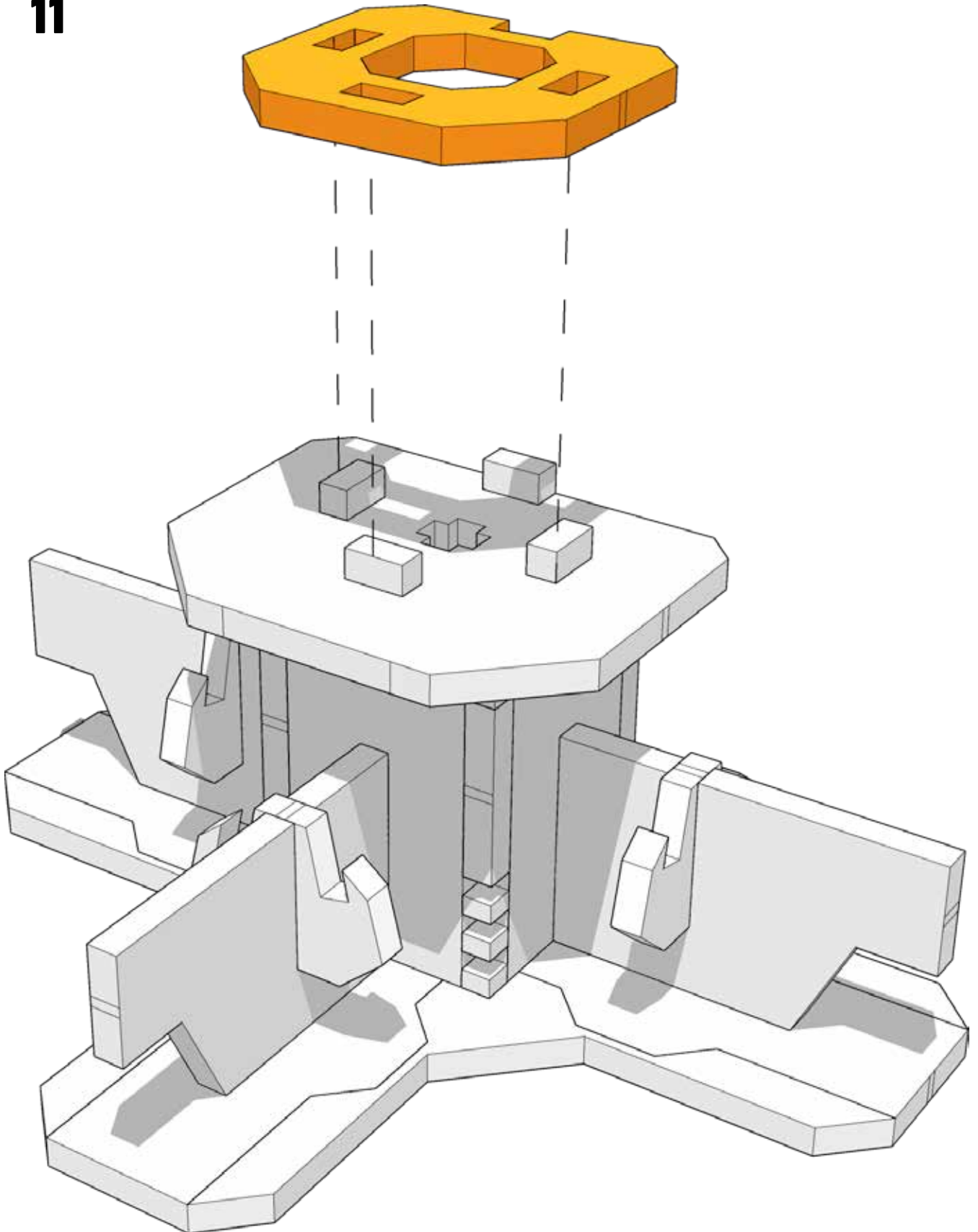




# TABLETOP SCENICS

**TTSCW-SFU-159**  
**Slab Street**  
**Junctions**

**11**

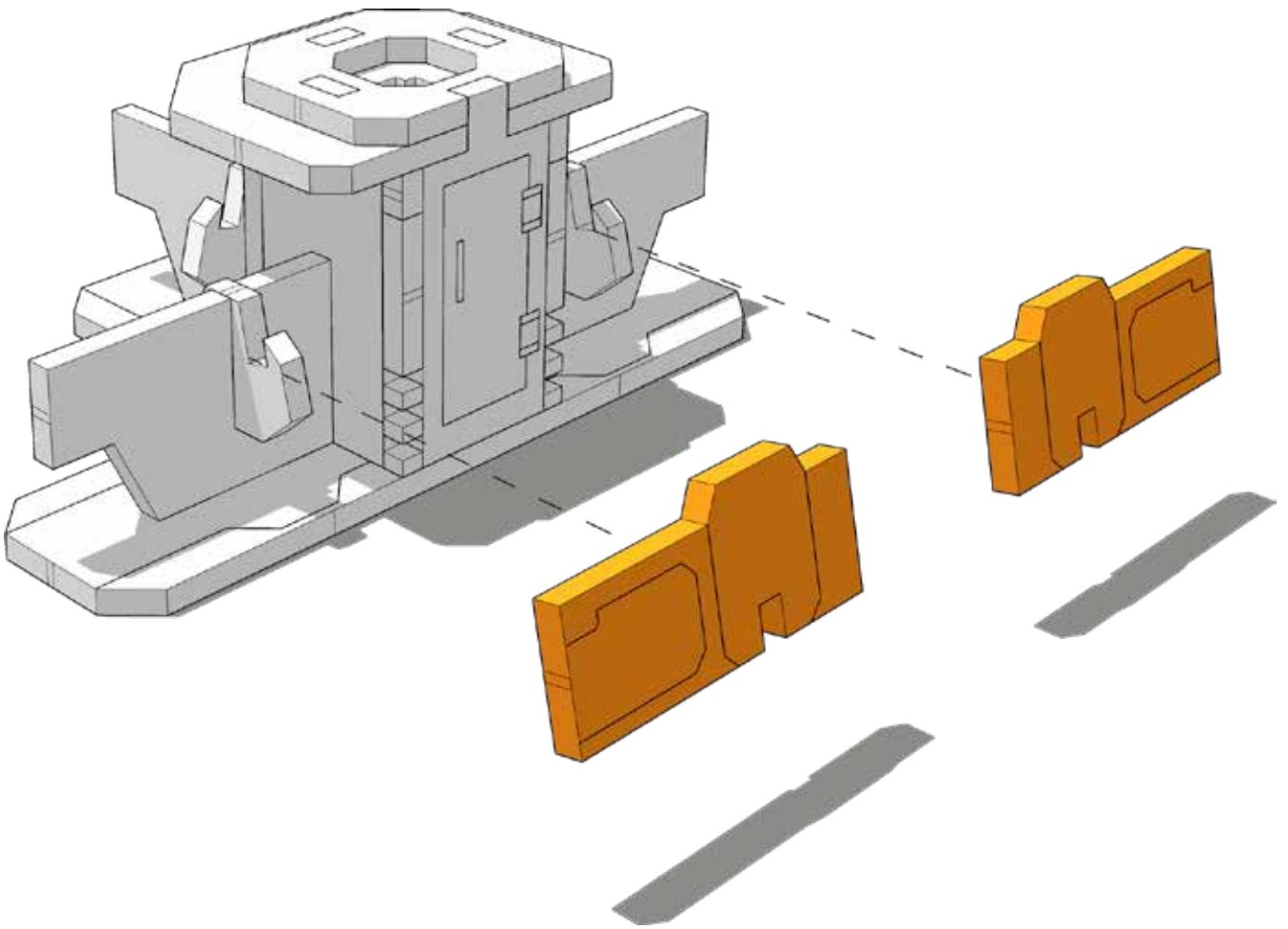




# TABLETOP SCENICS

**TTSCW-SFU-159**  
**Slab Street**  
**Junctions**

**12**

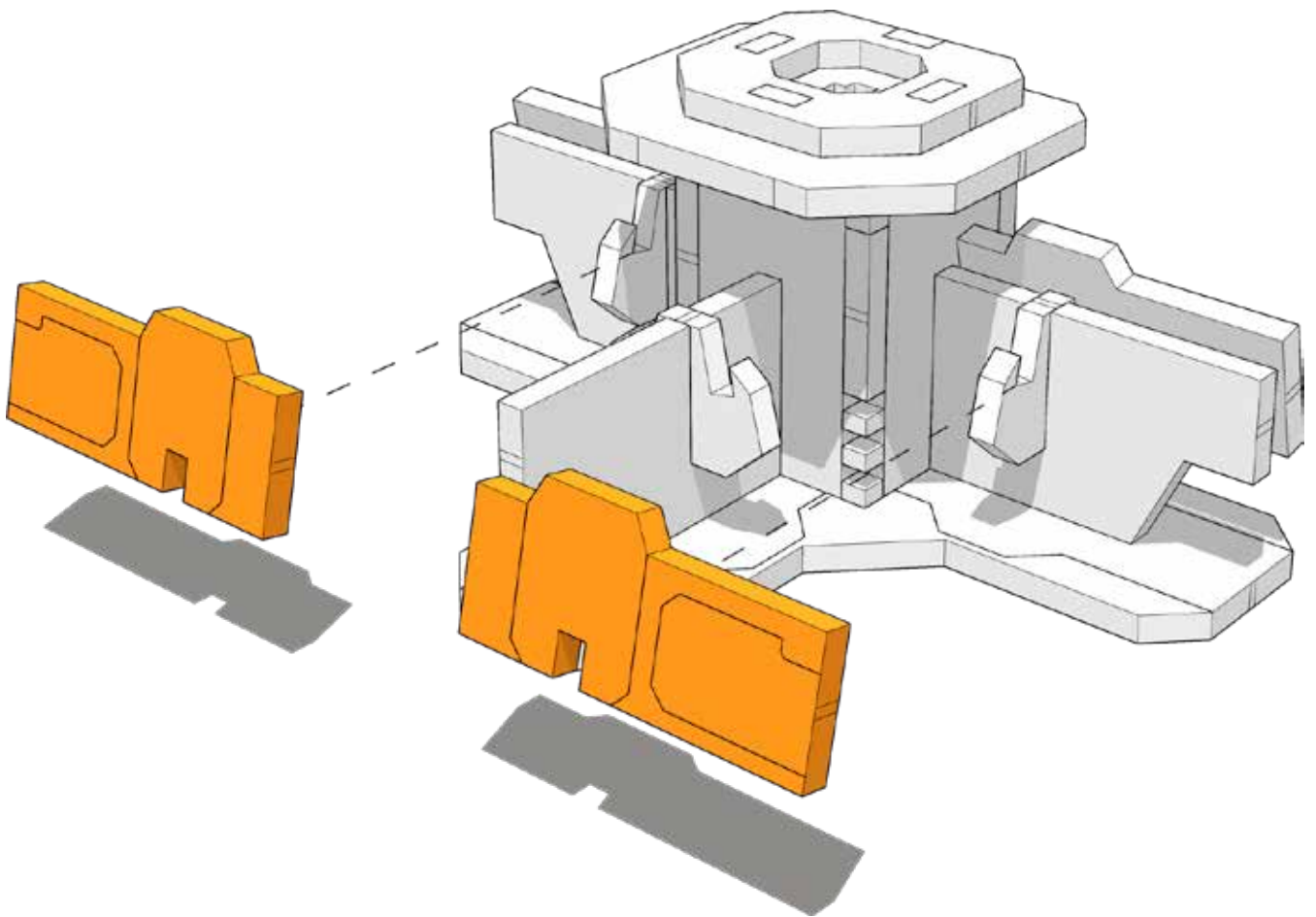




# TABLETOP SCENICS

**TTSCW-SFU-159**  
**Slab Street**  
**Junctions**

**13**

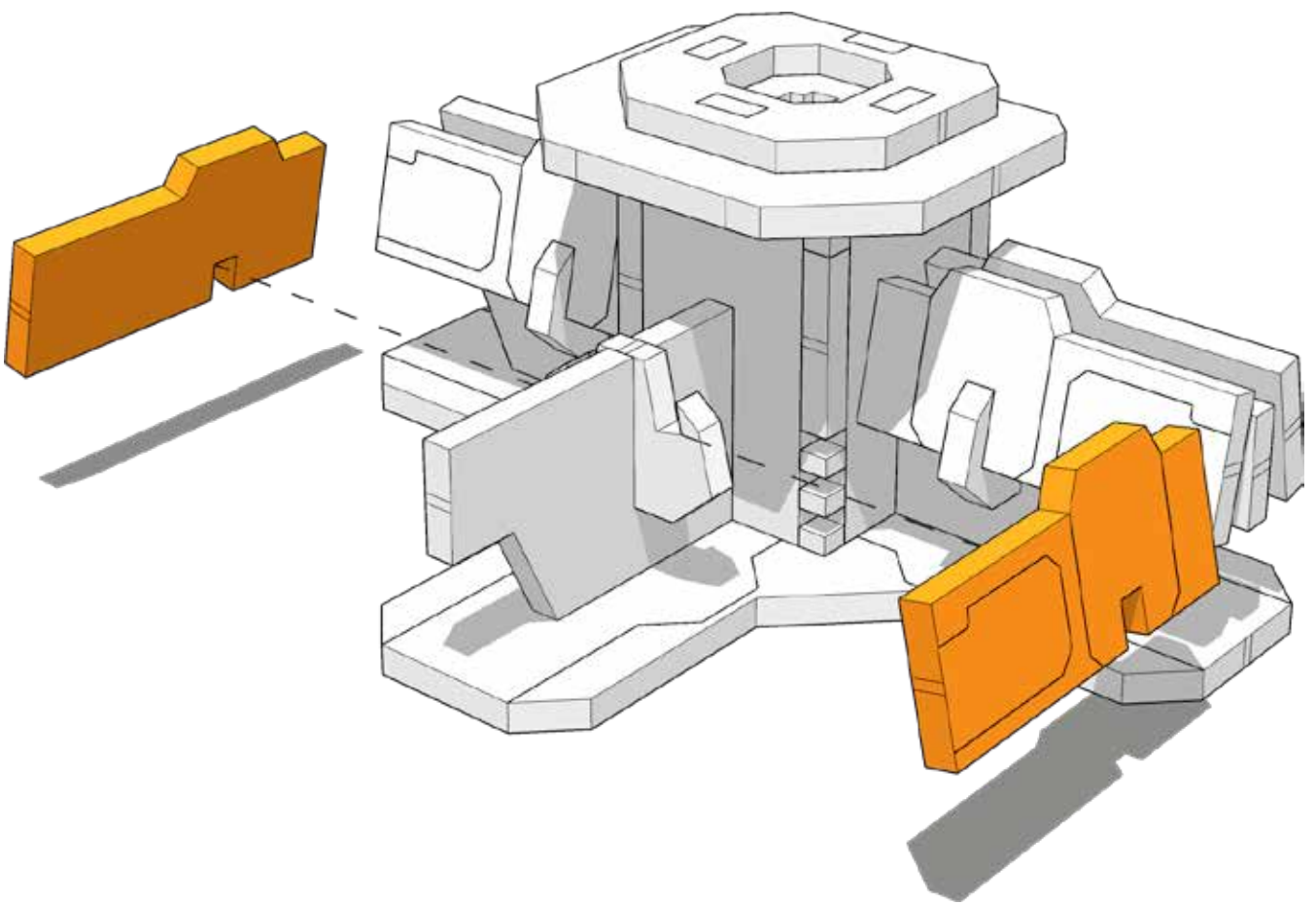




# TABLETOP SCENICS

**TTSCW-SFU-159**  
**Slab Street**  
**Junctions**

**14**



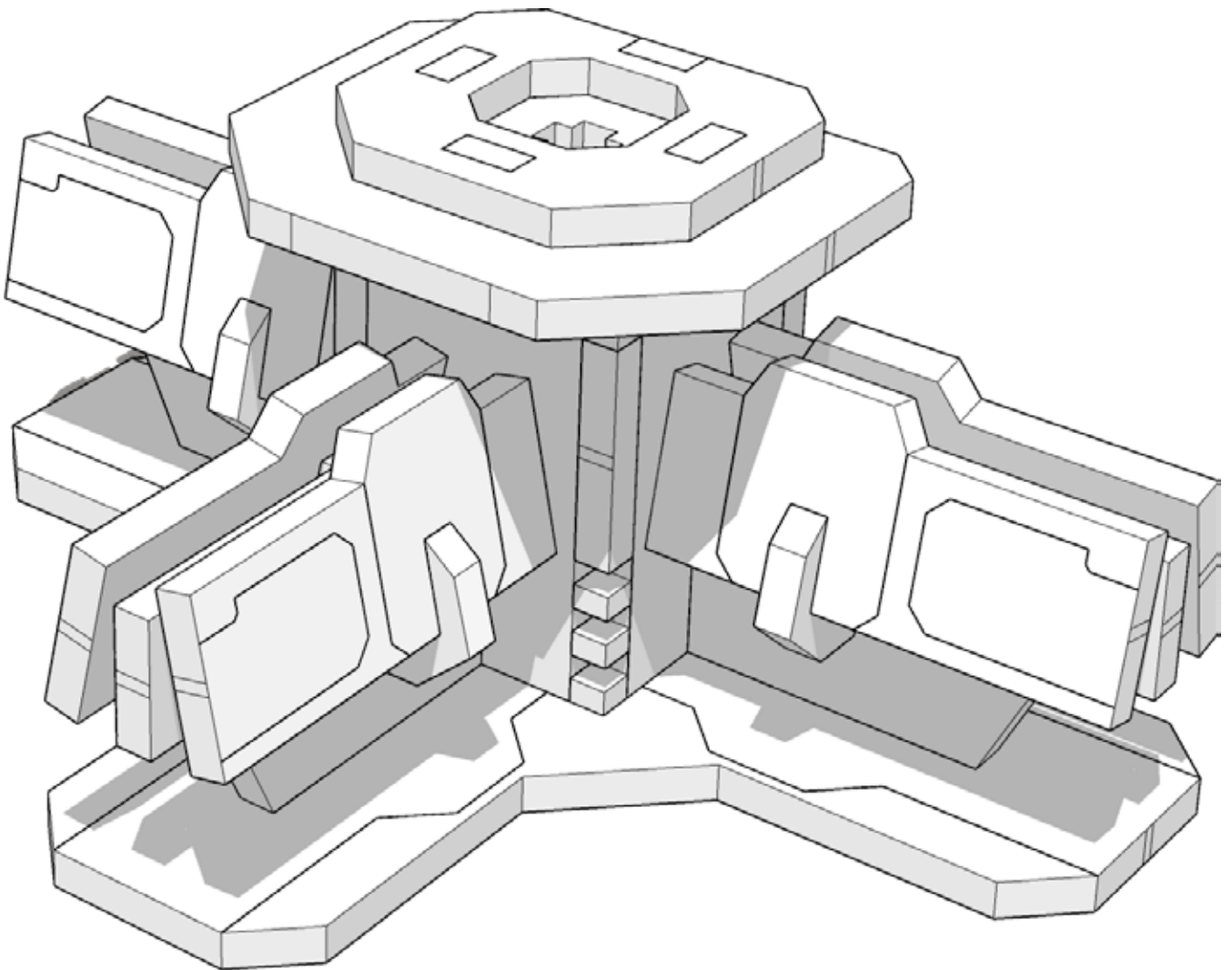




# TABLETOP SCENICS

TTSCW-SFU-159  
Slab Street  
Junctions

15



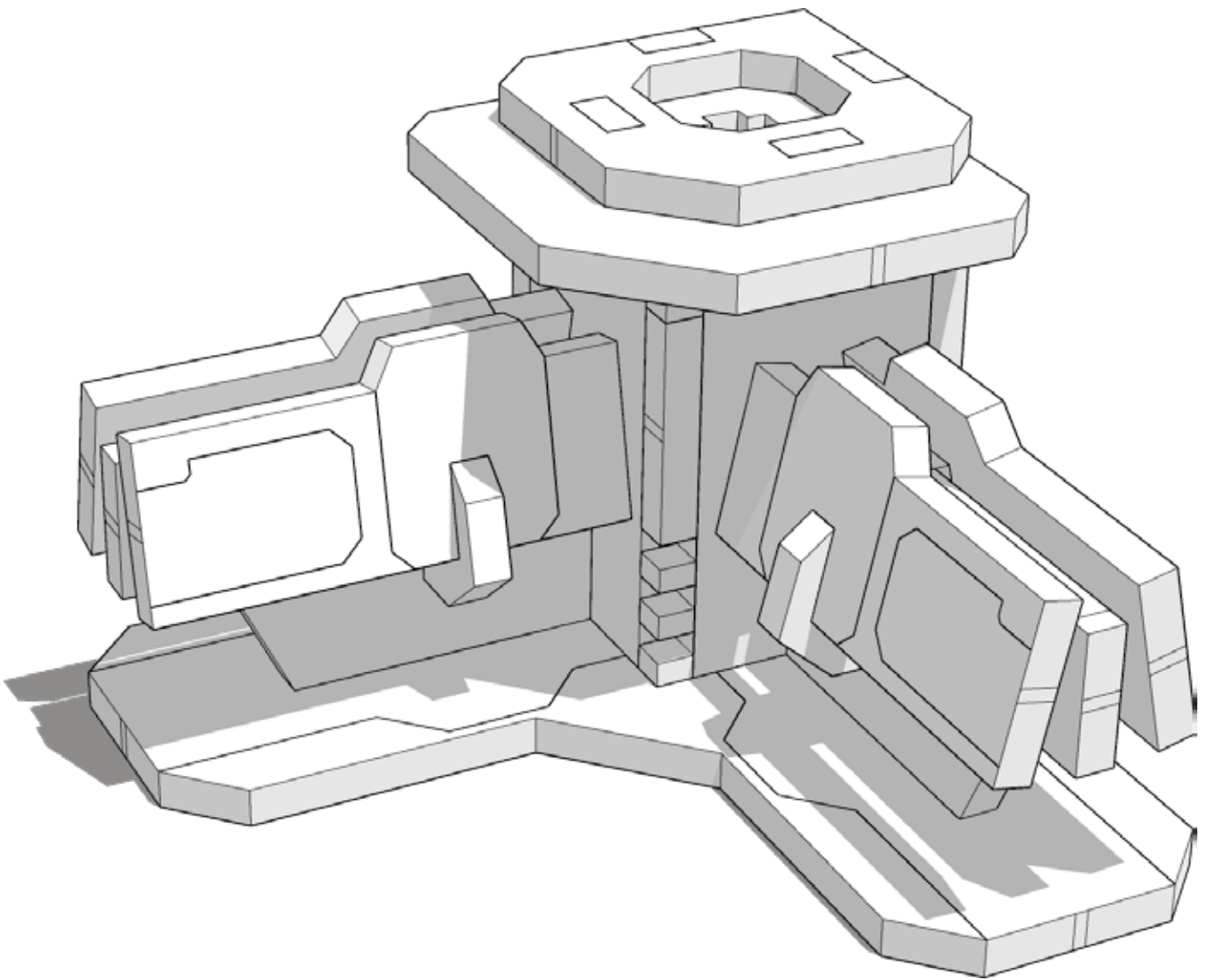
x2



# TABLETOP SCENICS

**TTSCW-SFU-159**  
**Slab Street**  
**Junctions**

**16**



Corner Junction

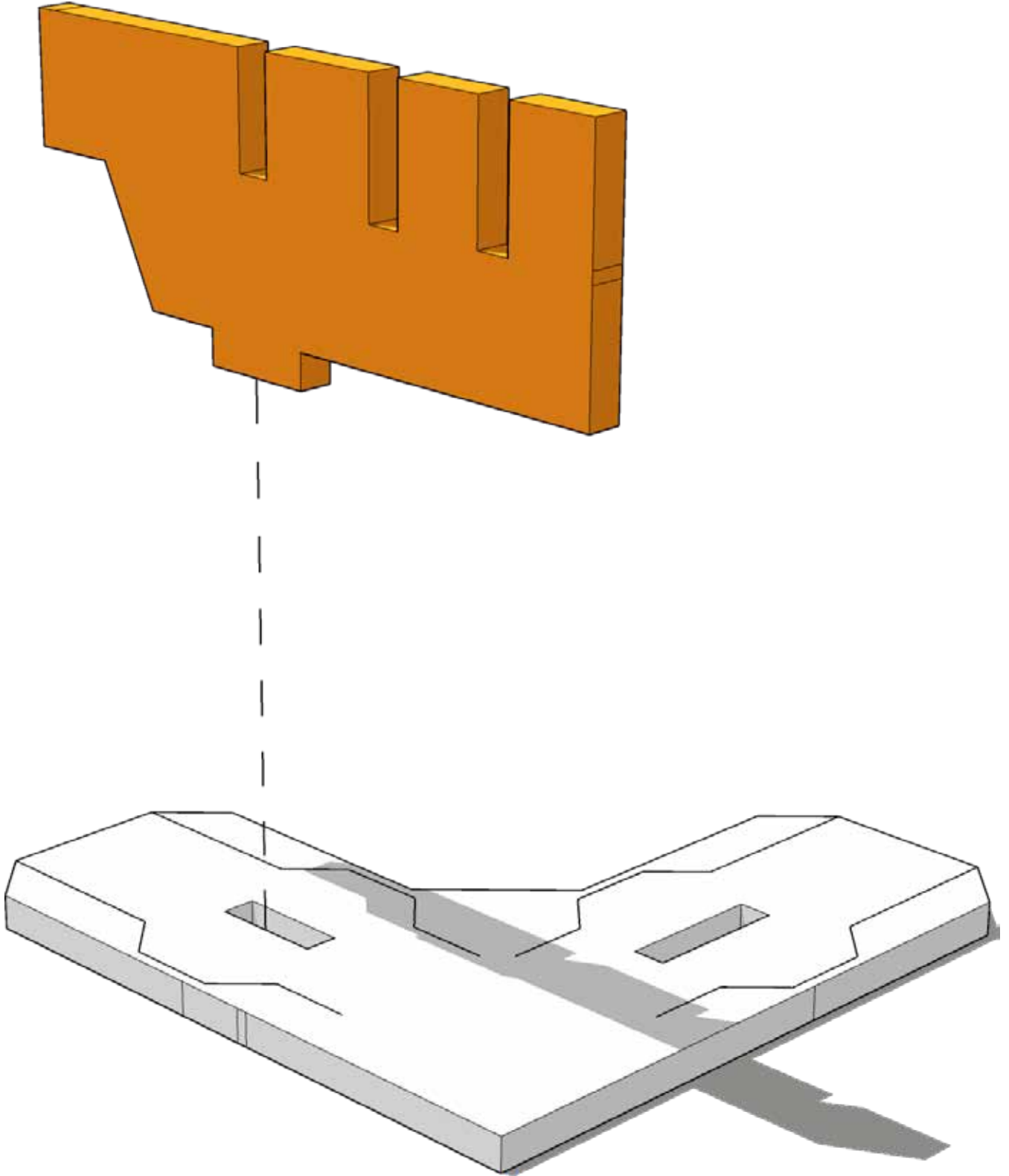




# TABLETOP SCENICS

TTSCW-SFU-159  
Slab Street  
Junctions

17

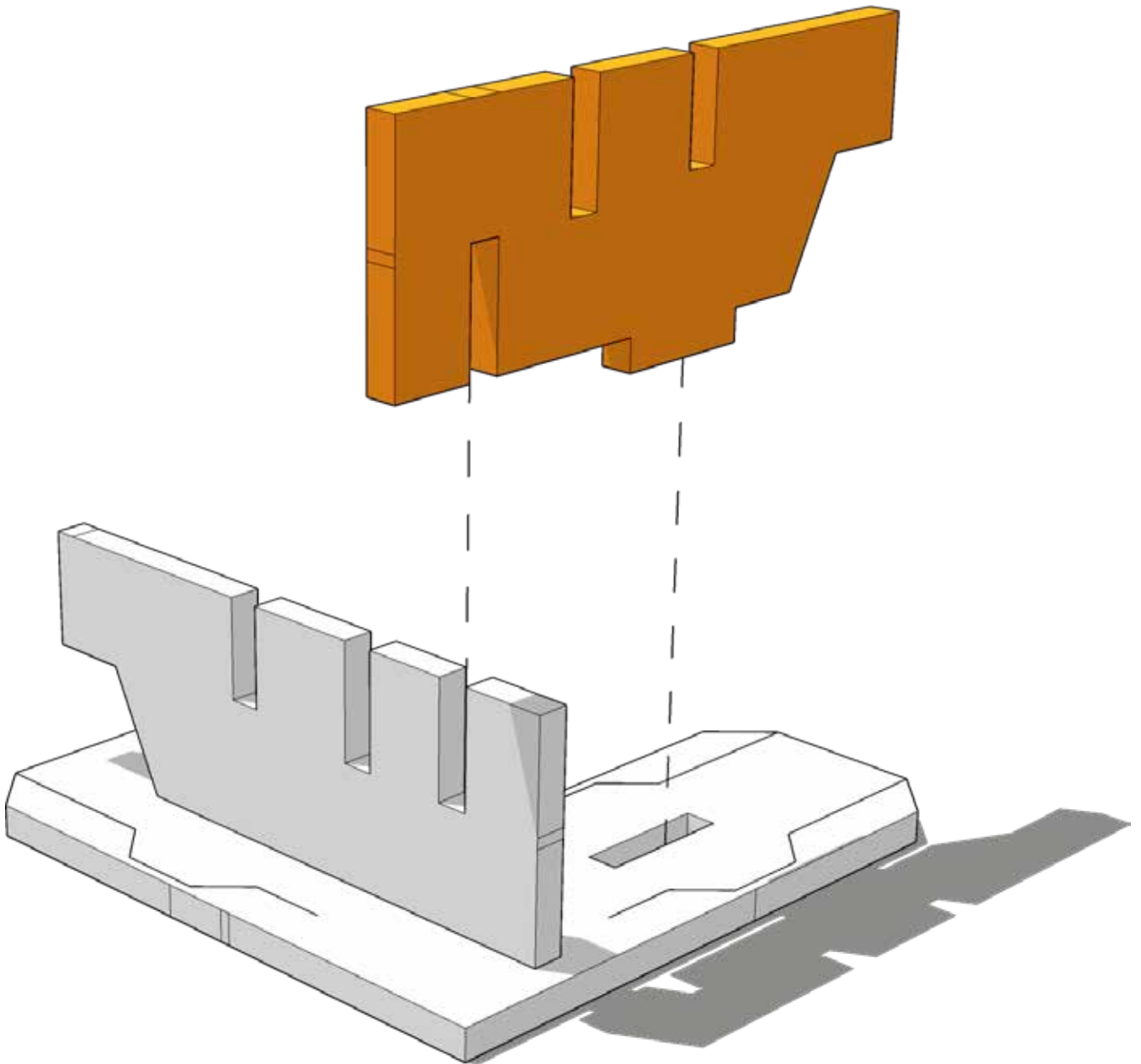




# TABLETOP SCENICS

TTSCW-SFU-159  
Slab Street  
Junctions

18

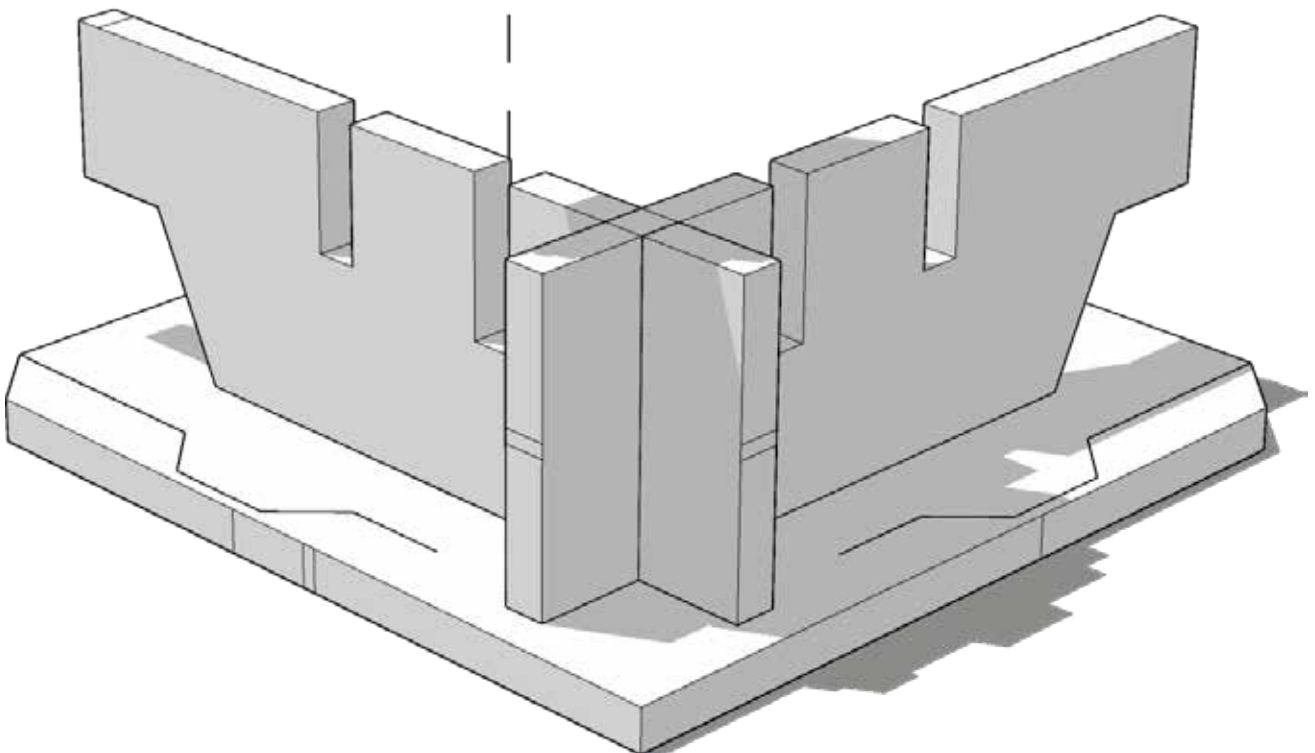
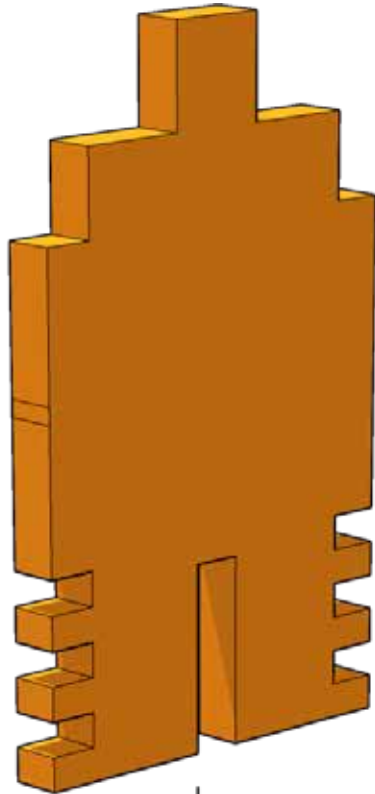




# TABLETOP SCENICS

**TTSCW-SFU-159**  
**Slab Street**  
**Junctions**

**19**

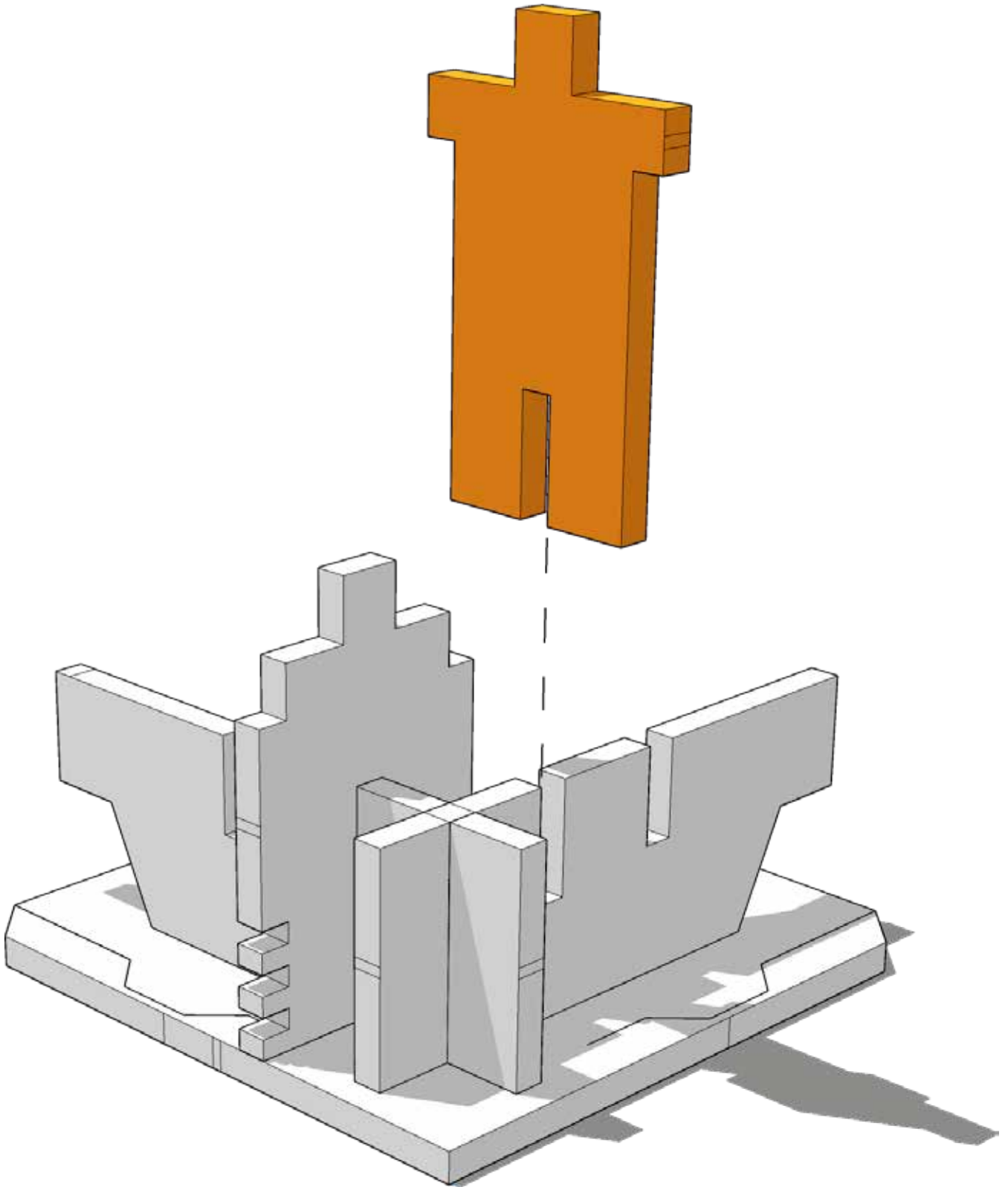




# TABLETOP SCENICS

**TTSCW-SFU-159**  
**Slab Street**  
**Junctions**

**20**

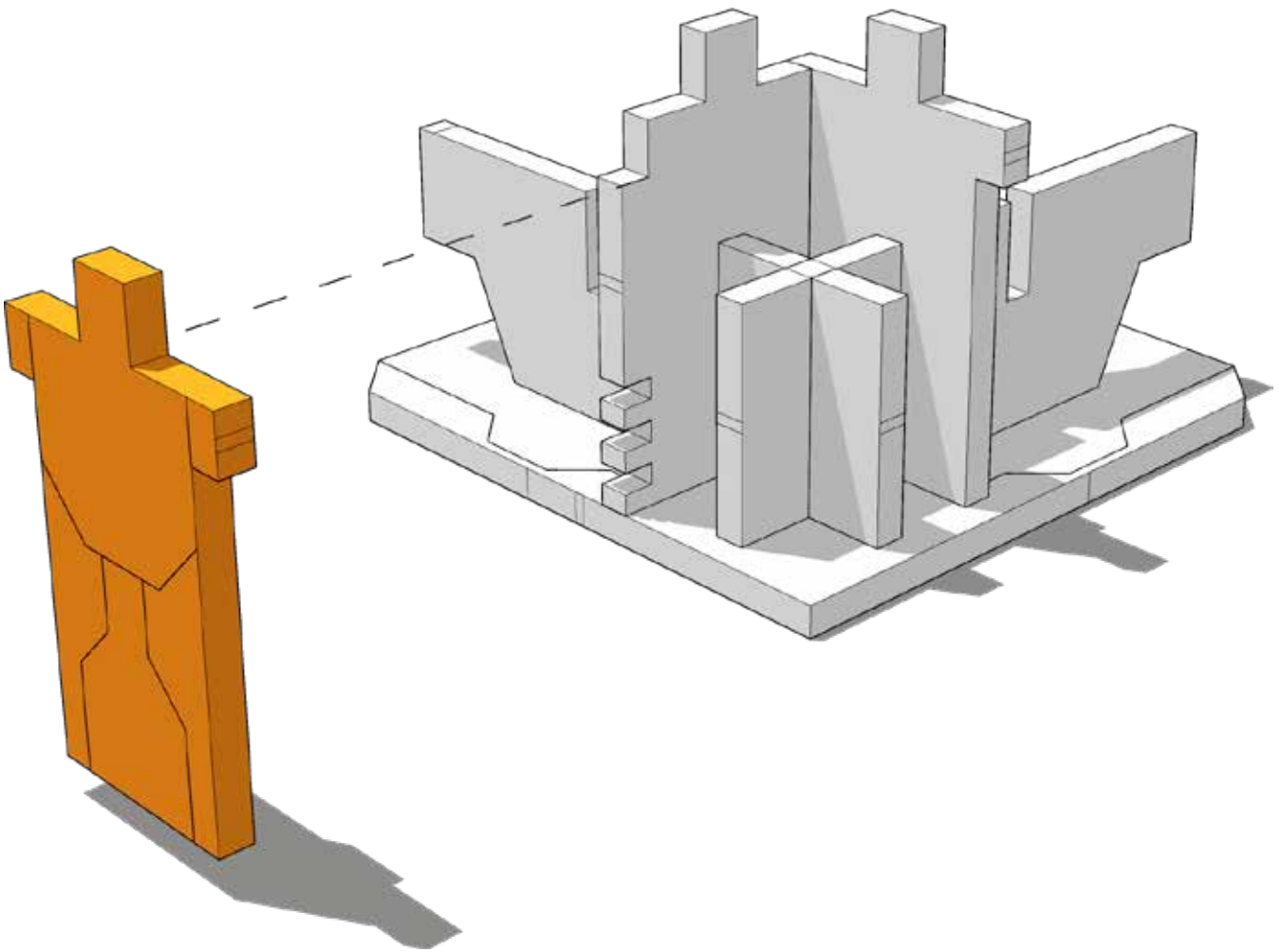




# TABLETOP SCENICS

**TTSCW-SFU-159**  
**Slab Street**  
**Junctions**

**21**

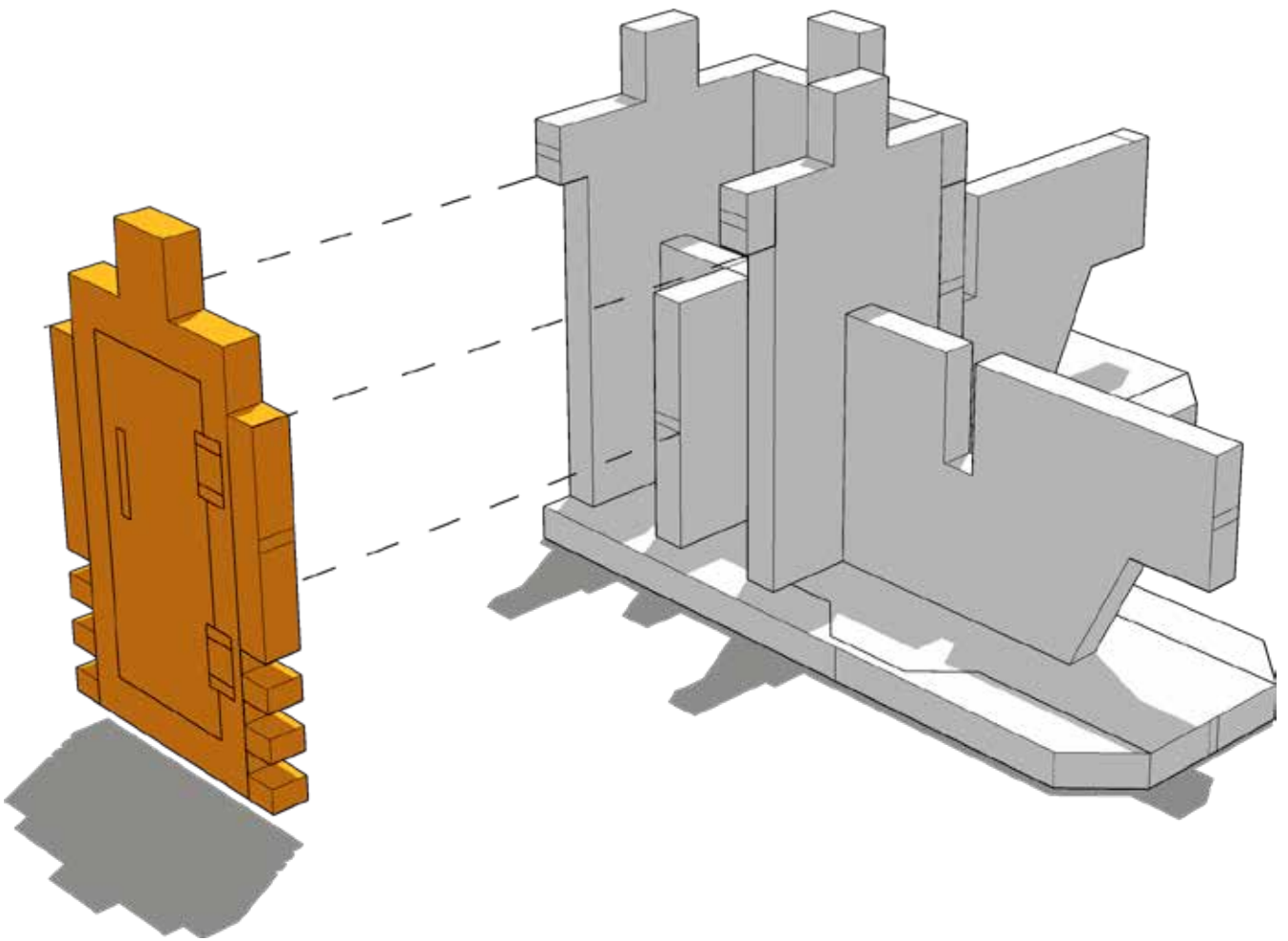




# TABLETOP SCENICS

**TTSCW-SFU-159**  
**Slab Street**  
**Junctions**

**22**

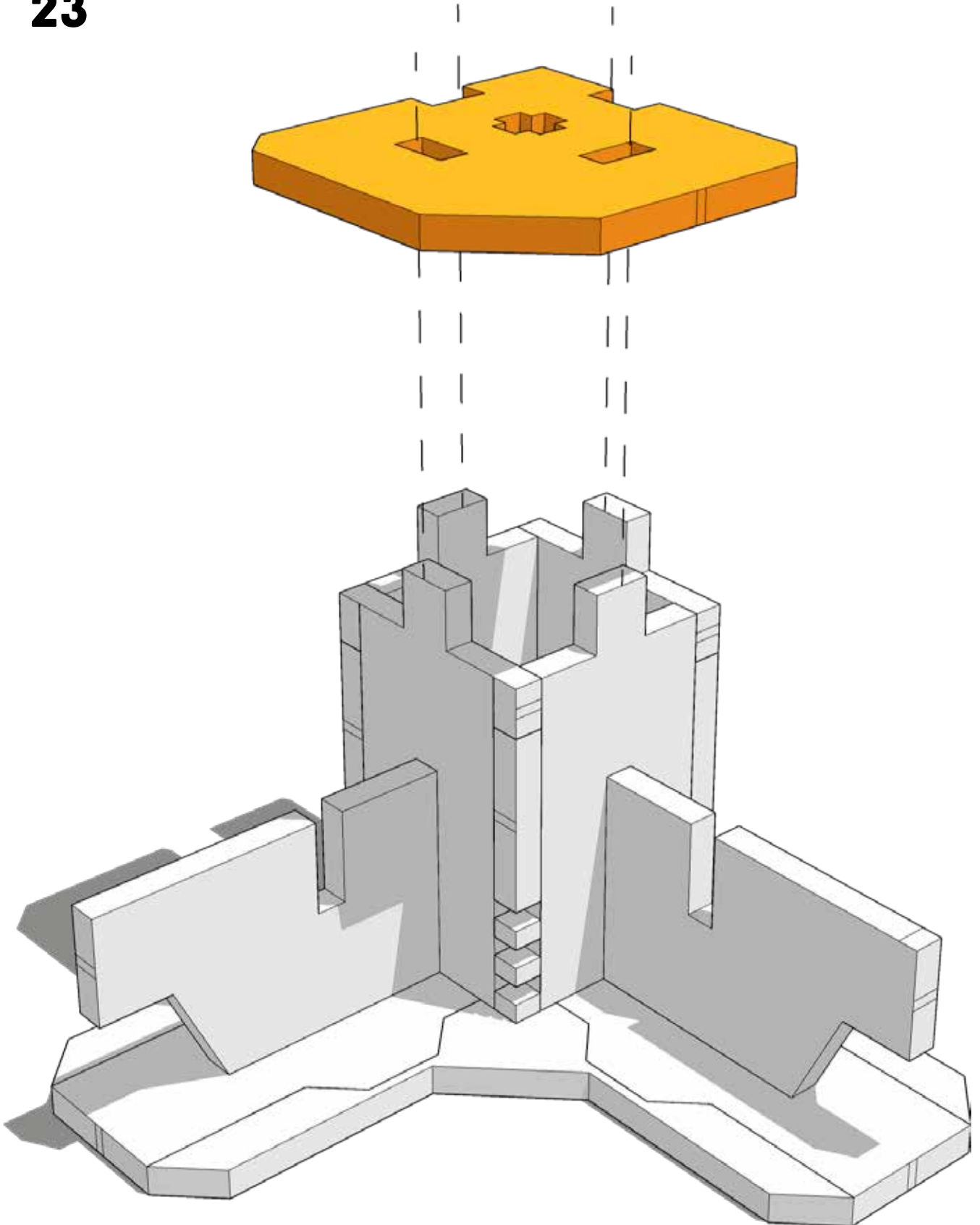




# TABLETOP SCENICS

**TTSCW-SFU-159**  
**Slab Street**  
**Junctions**

**23**

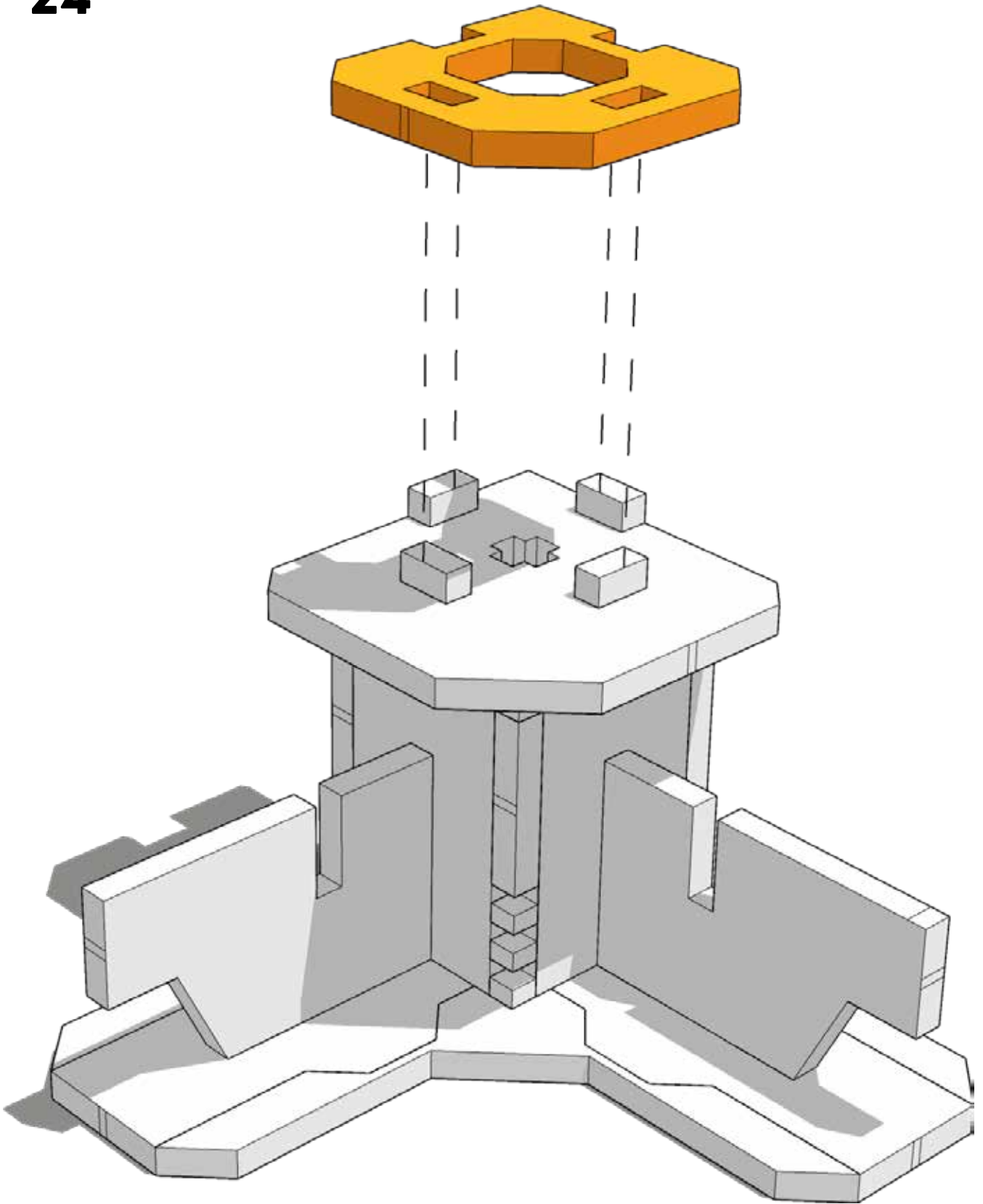




# TABLETOP SCENICS

**TTSCW-SFU-159**  
**Slab Street**  
**Junctions**

**24**



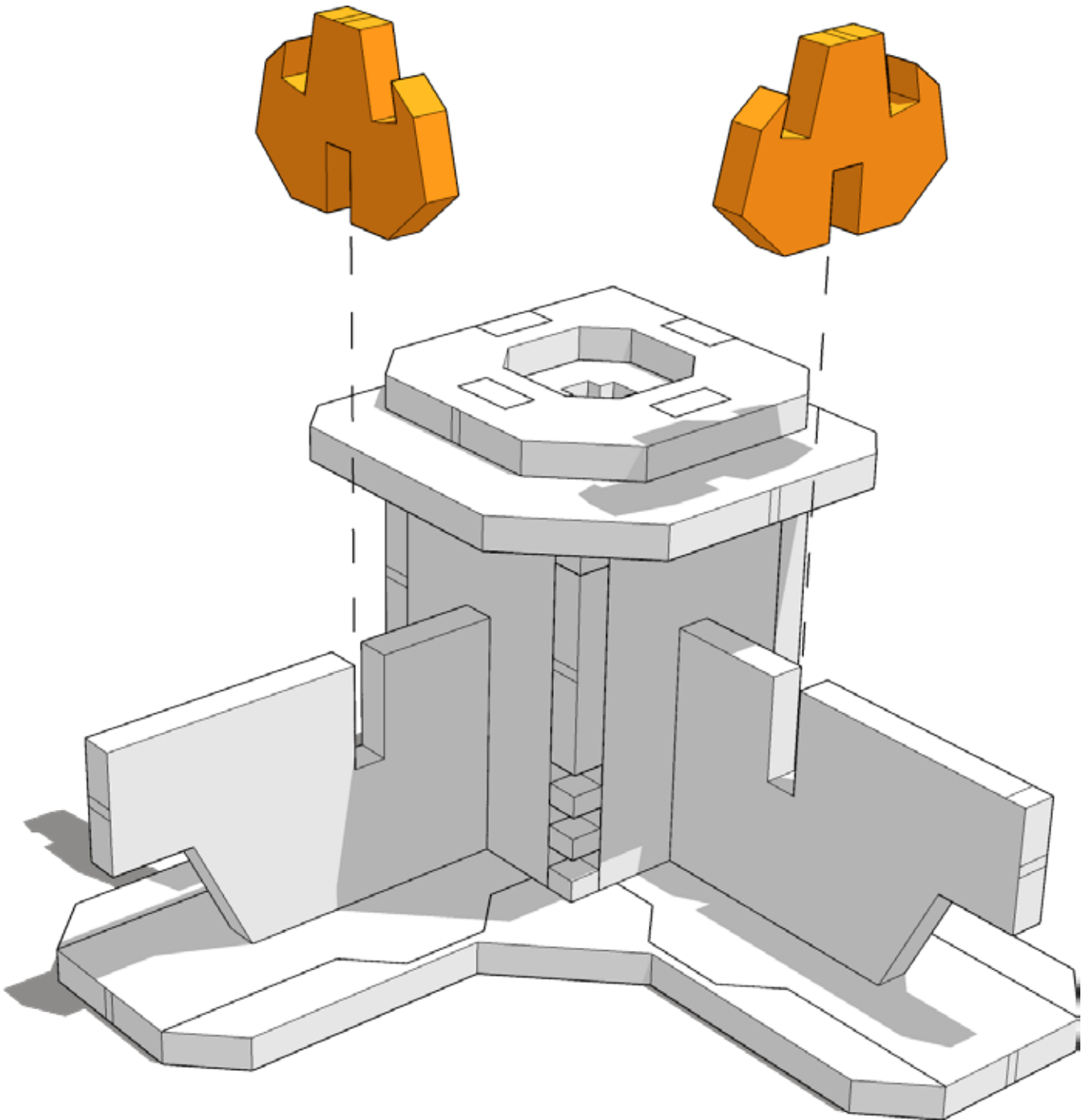




# TABLETOP SCENICS

TTSCW-SFU-159  
Slab Street  
Junctions

25

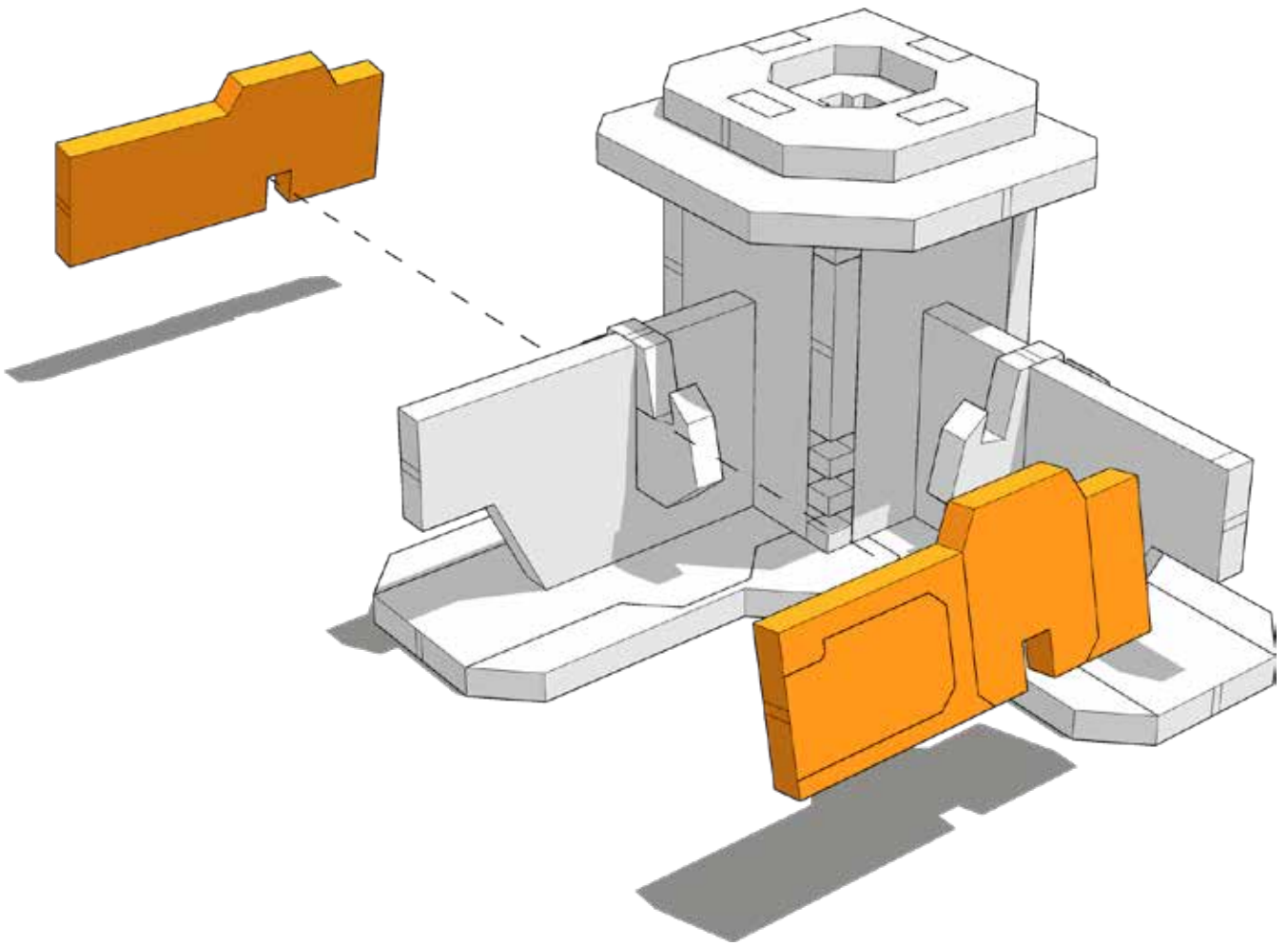




# TABLETOP SCENICS

**TTSCW-SFU-159**  
**Slab Street**  
**Junctions**

**26**

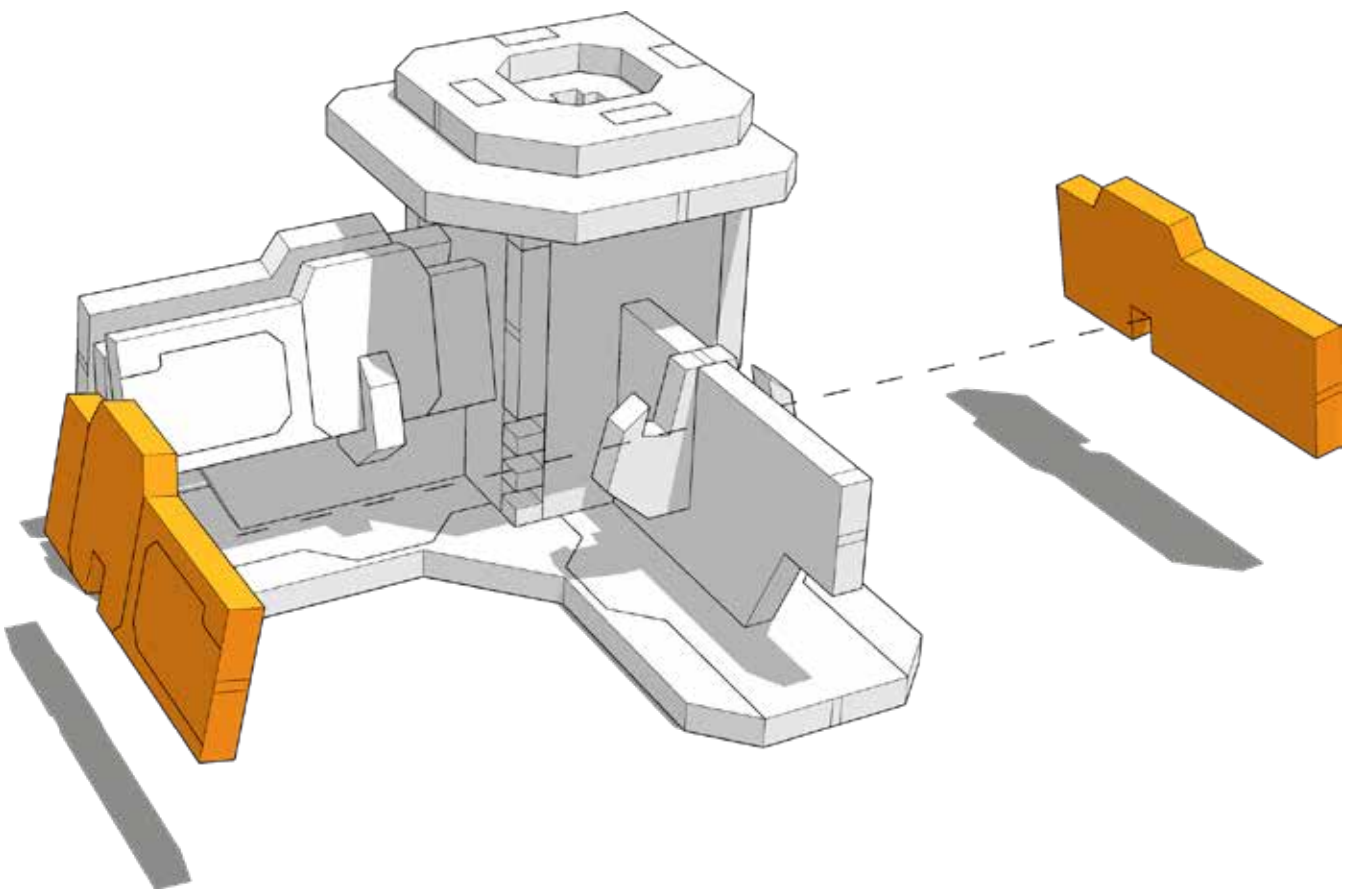




# TABLETOP SCENICS

**TTSCW-SFU-159**  
**Slab Street**  
**Junctions**

**27**

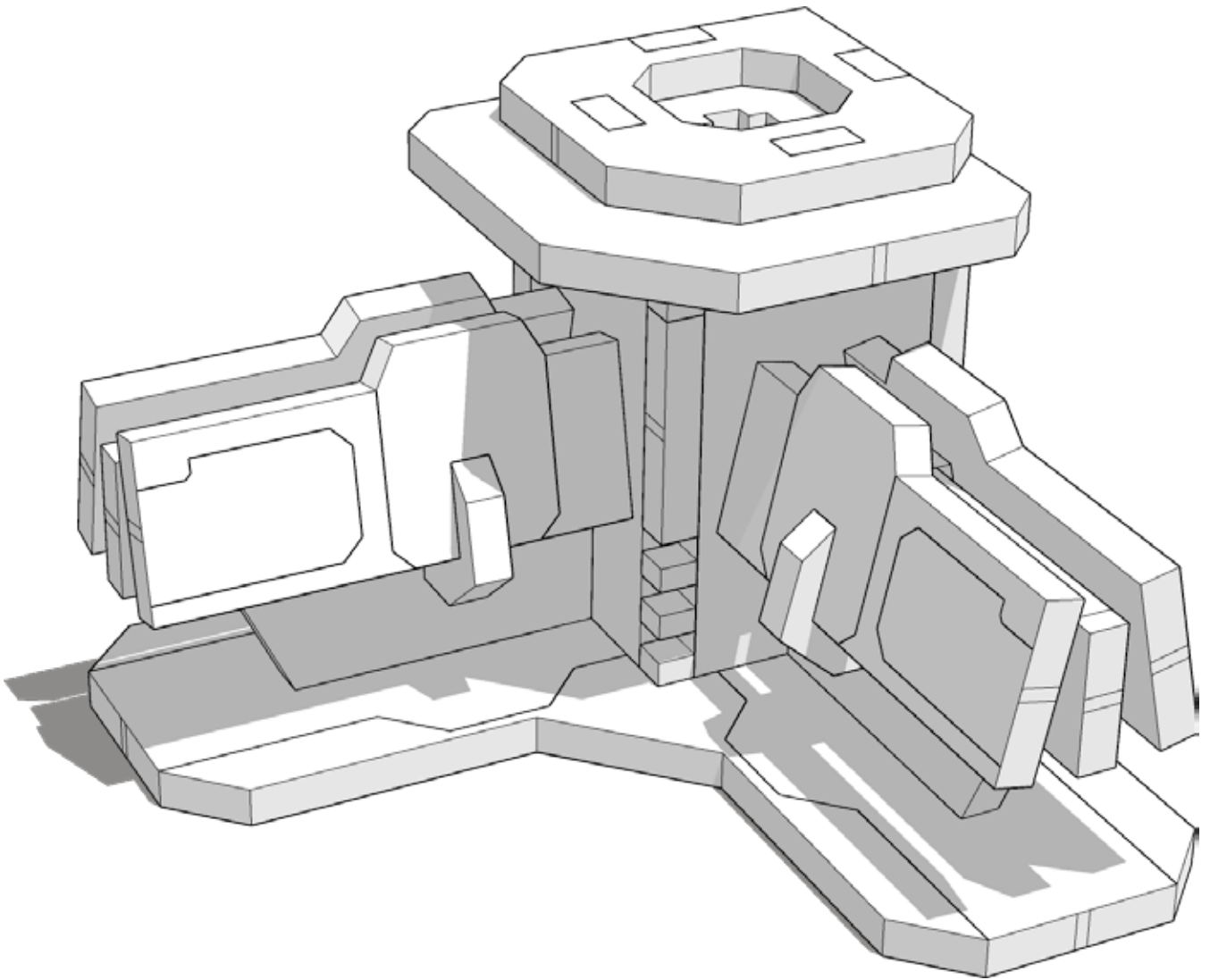




# TABLETOP SCENICS

**TTSCW-SFU-159**  
**Slab Street**  
**Junctions**

**28**



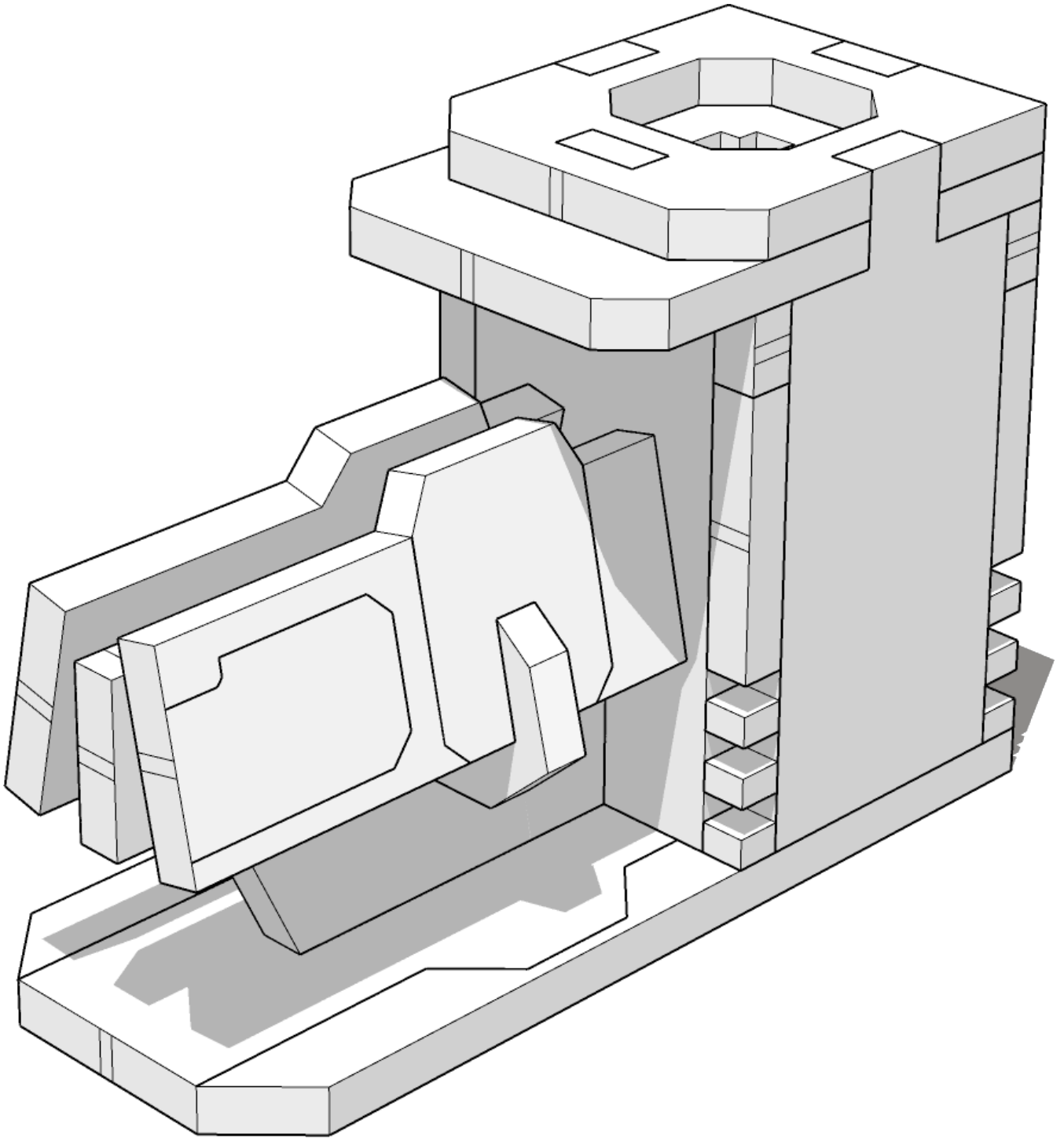
**x3**



# TABLETOP SCENICS

TTSCW-SFU-159  
Slab Street  
Junctions

29



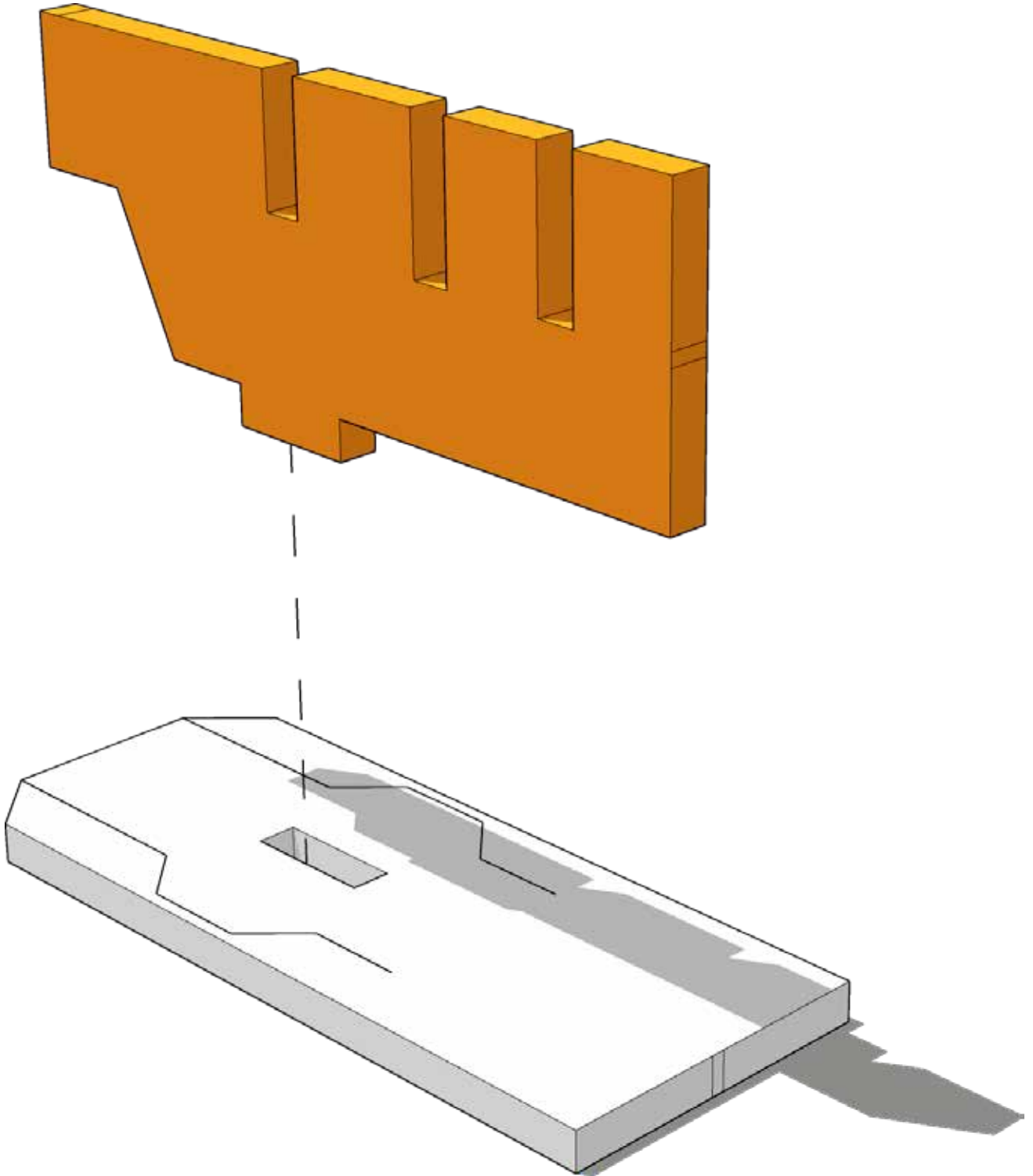
End Junction



# TABLETOP SCENICS

**TTSCW-SFU-159**  
**Slab Street**  
**Junctions**

**30**

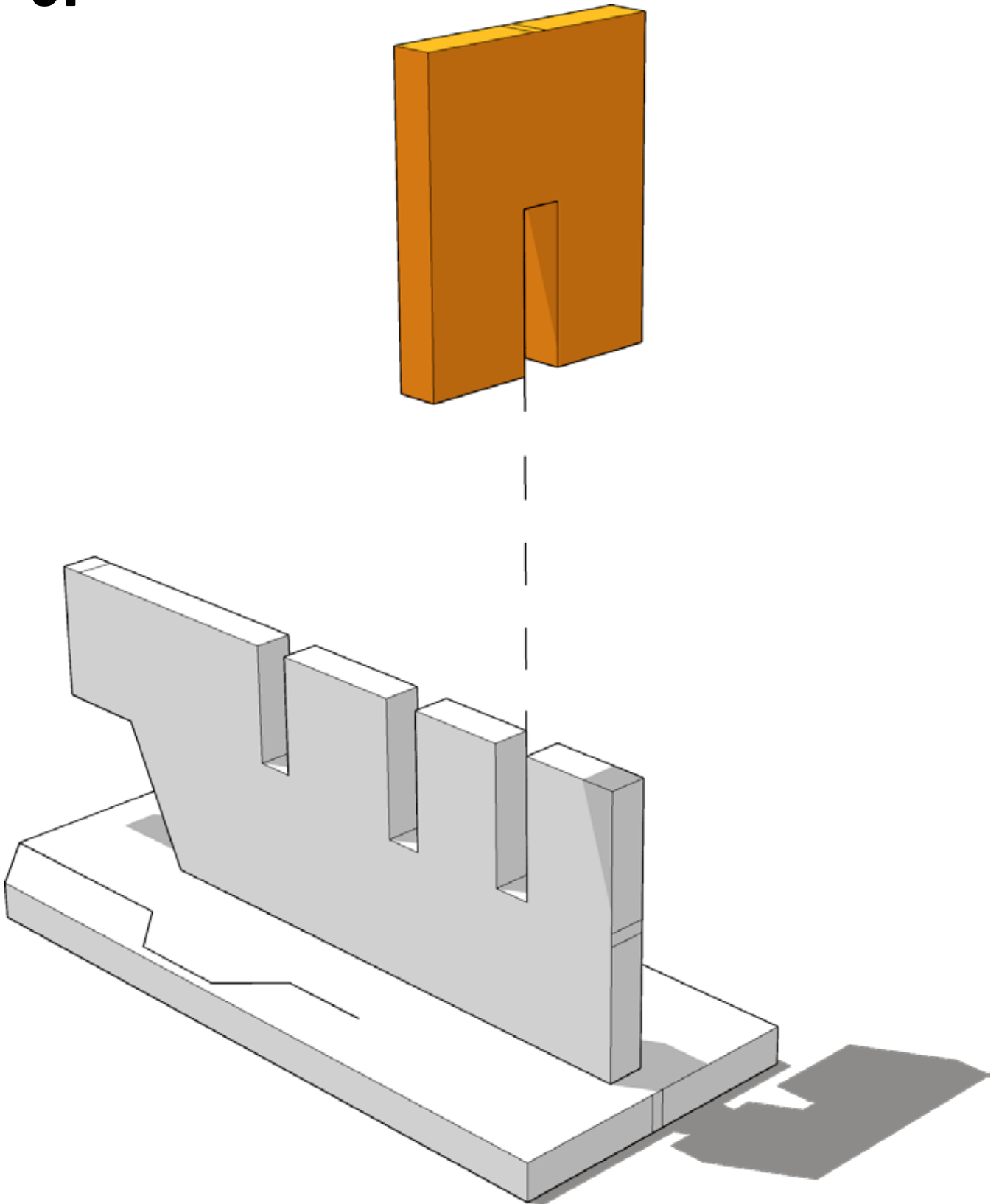




# TABLETOP SCENICS

**TTSCW-SFU-159**  
**Slab Street**  
**Junctions**

**31**

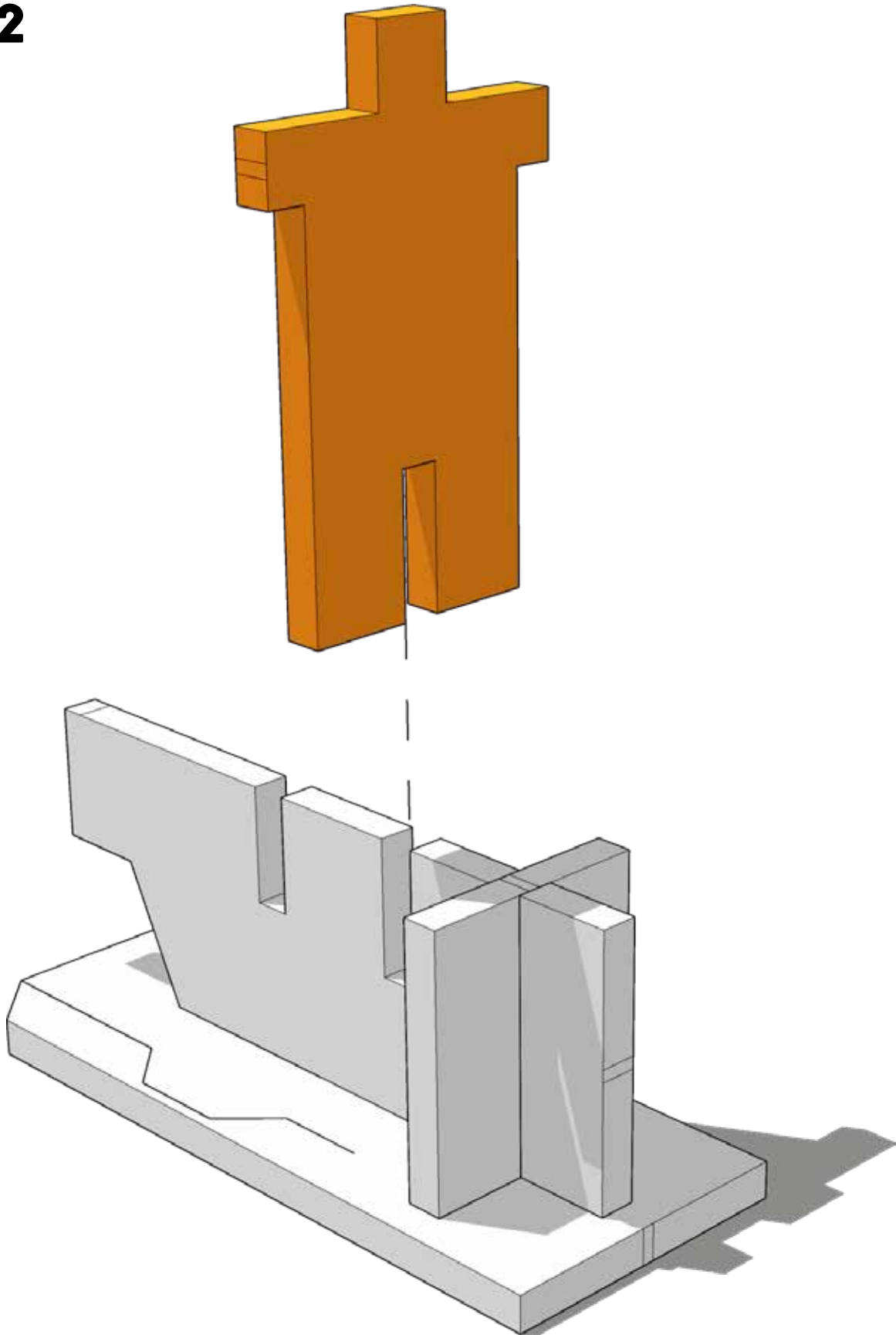




# TABLETOP SCENICS

TTSCW-SFU-159  
Slab Street  
Junctions

32



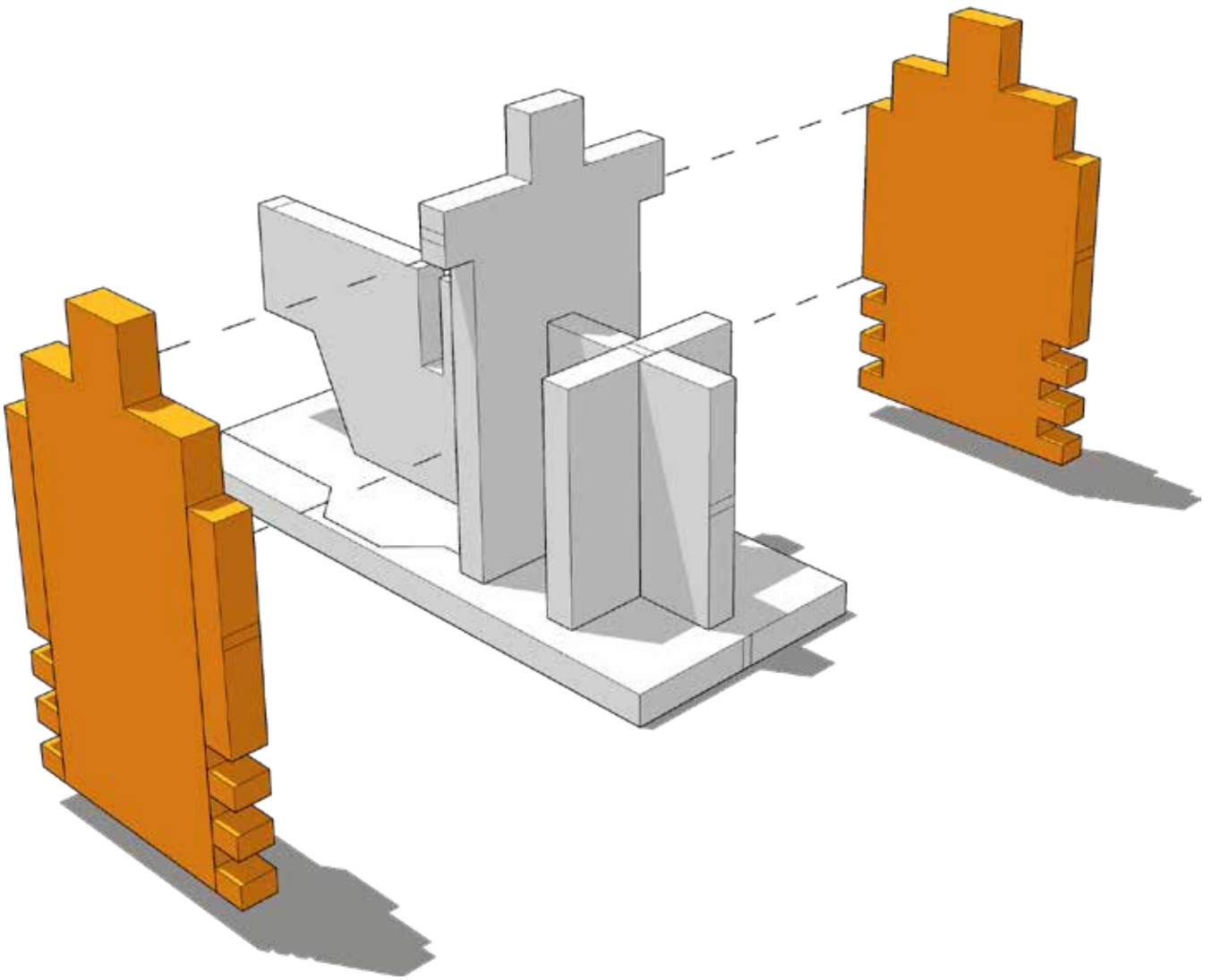




# TABLETOP SCENICS

**TTSCW-SFU-159**  
**Slab Street**  
**Junctions**

**33**

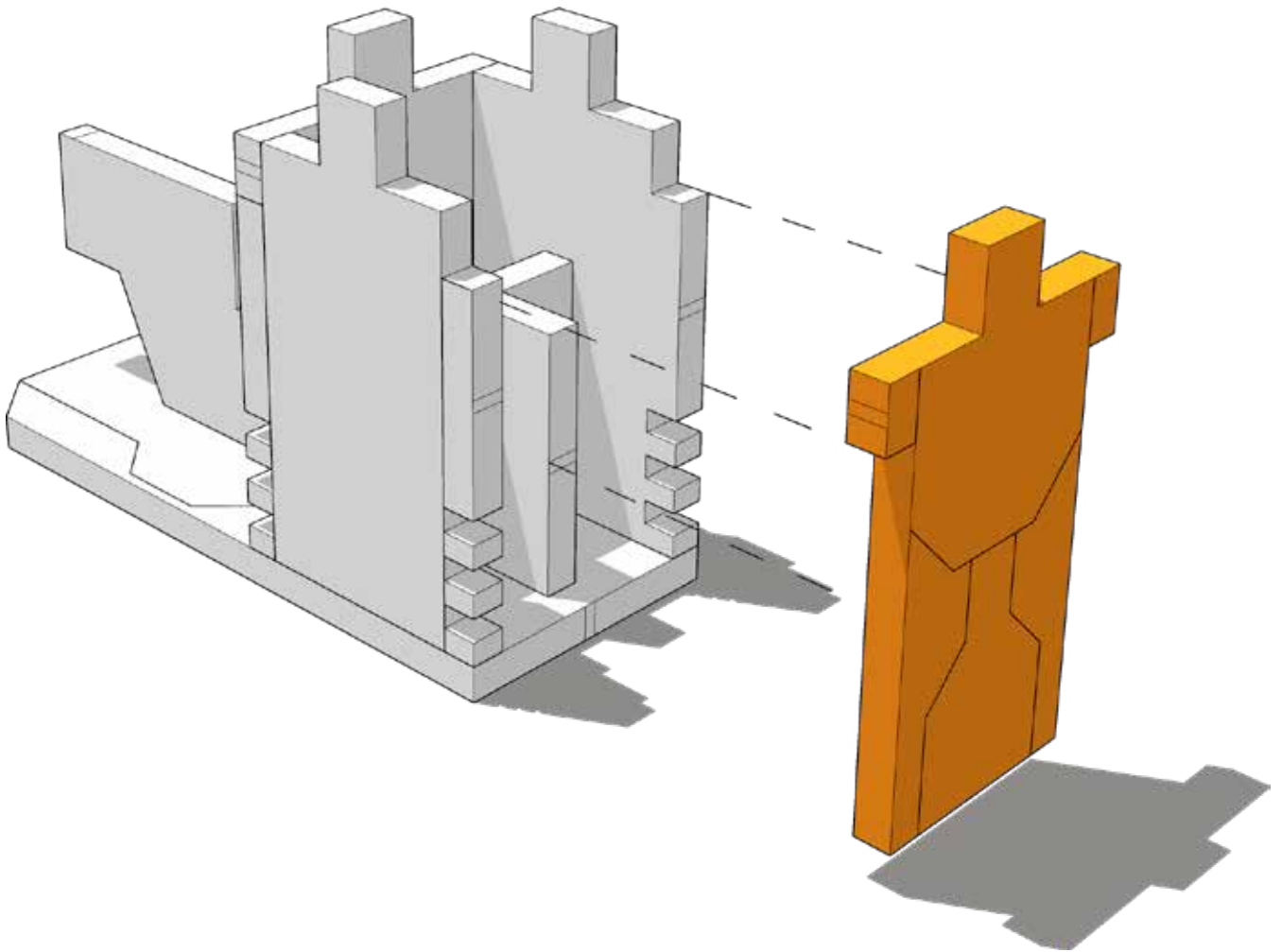




# TABLETOP SCENICS

**TTSCW-SFU-159**  
**Slab Street**  
**Junctions**

**34**

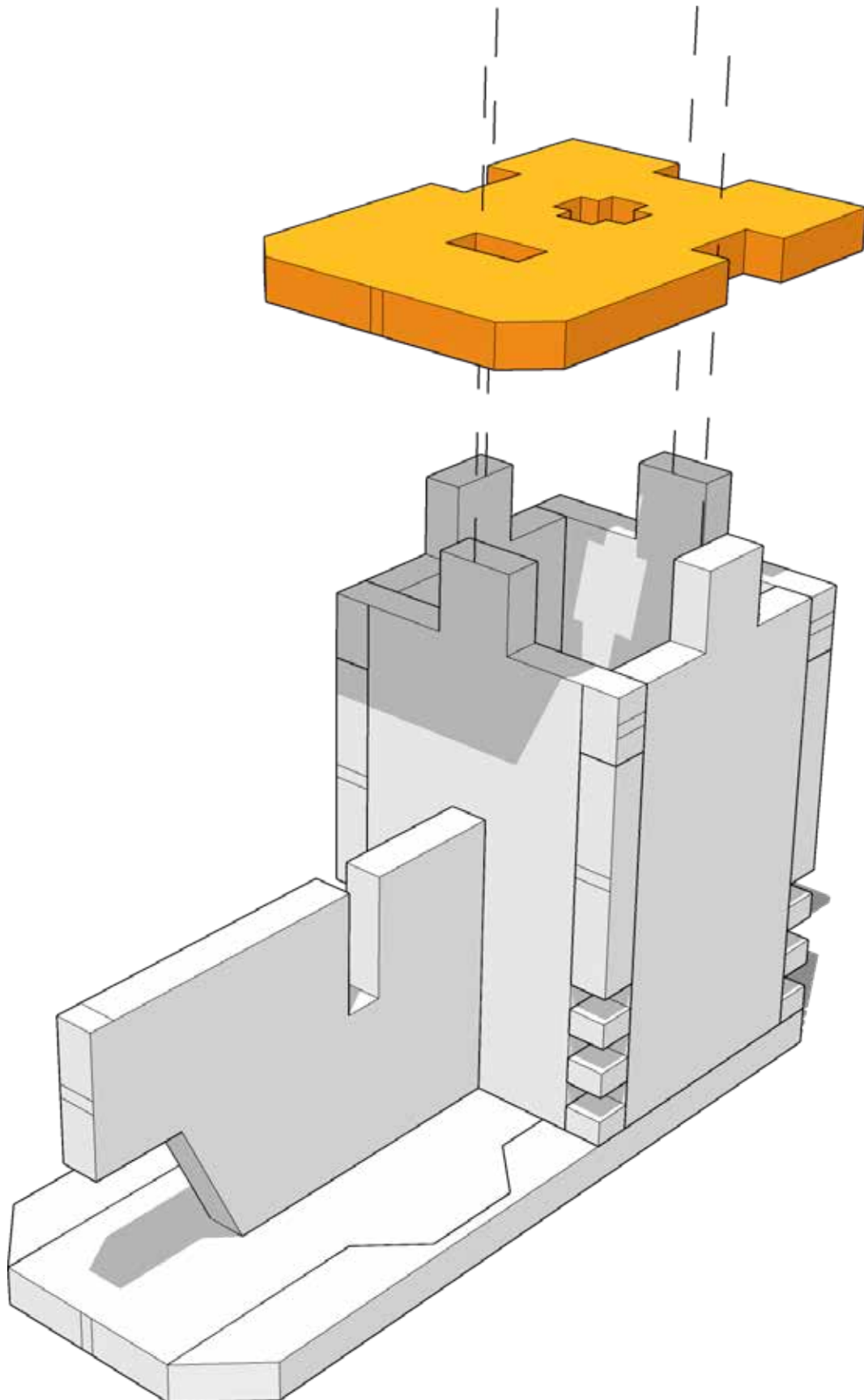




# TABLETOP SCENICS

**TTSCW-SFU-159**  
**Slab Street**  
**Junctions**

**35**

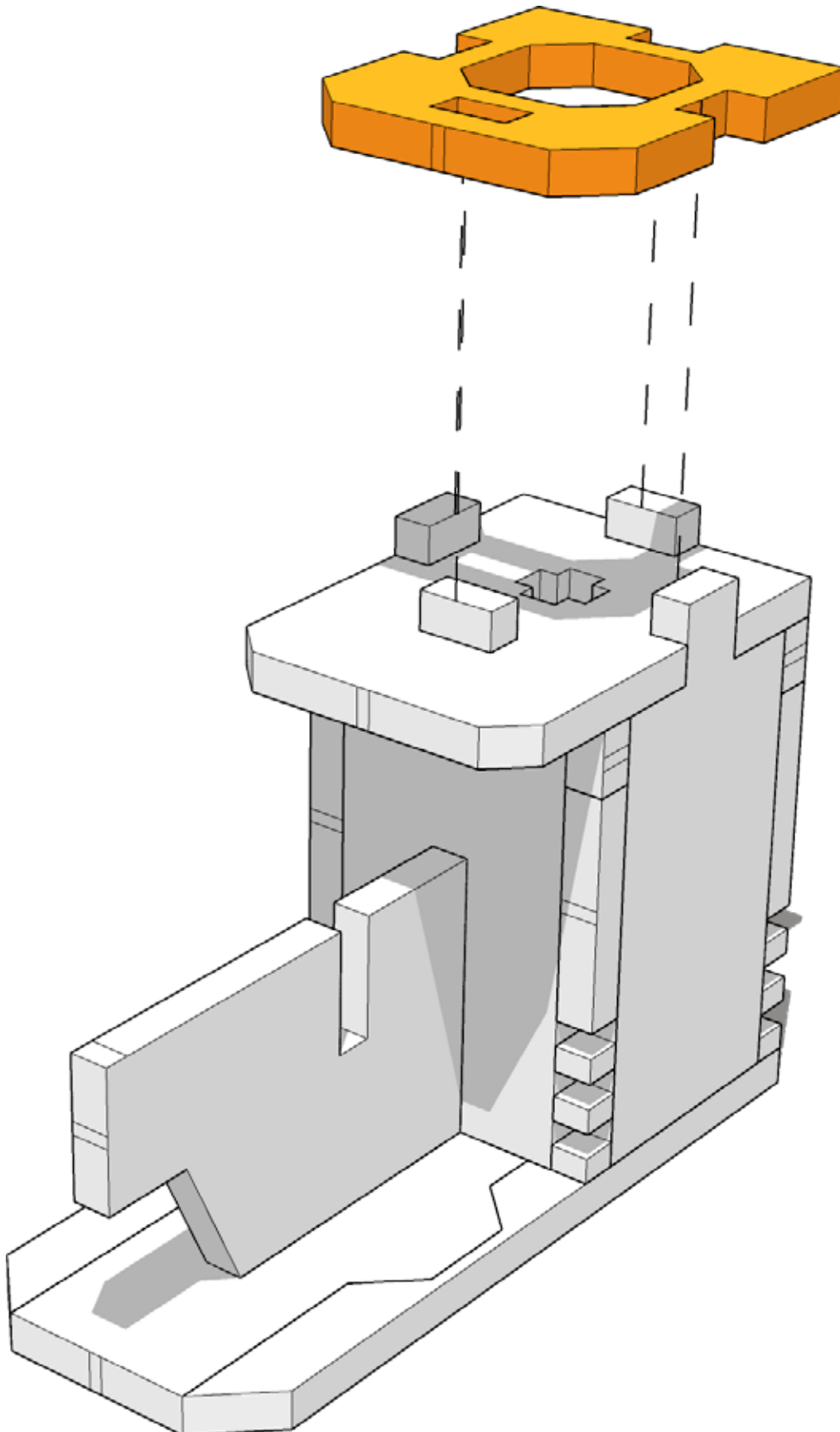




# TABLETOP SCENICS

TTSCW-SFU-159  
Slab Street  
Junctions

36

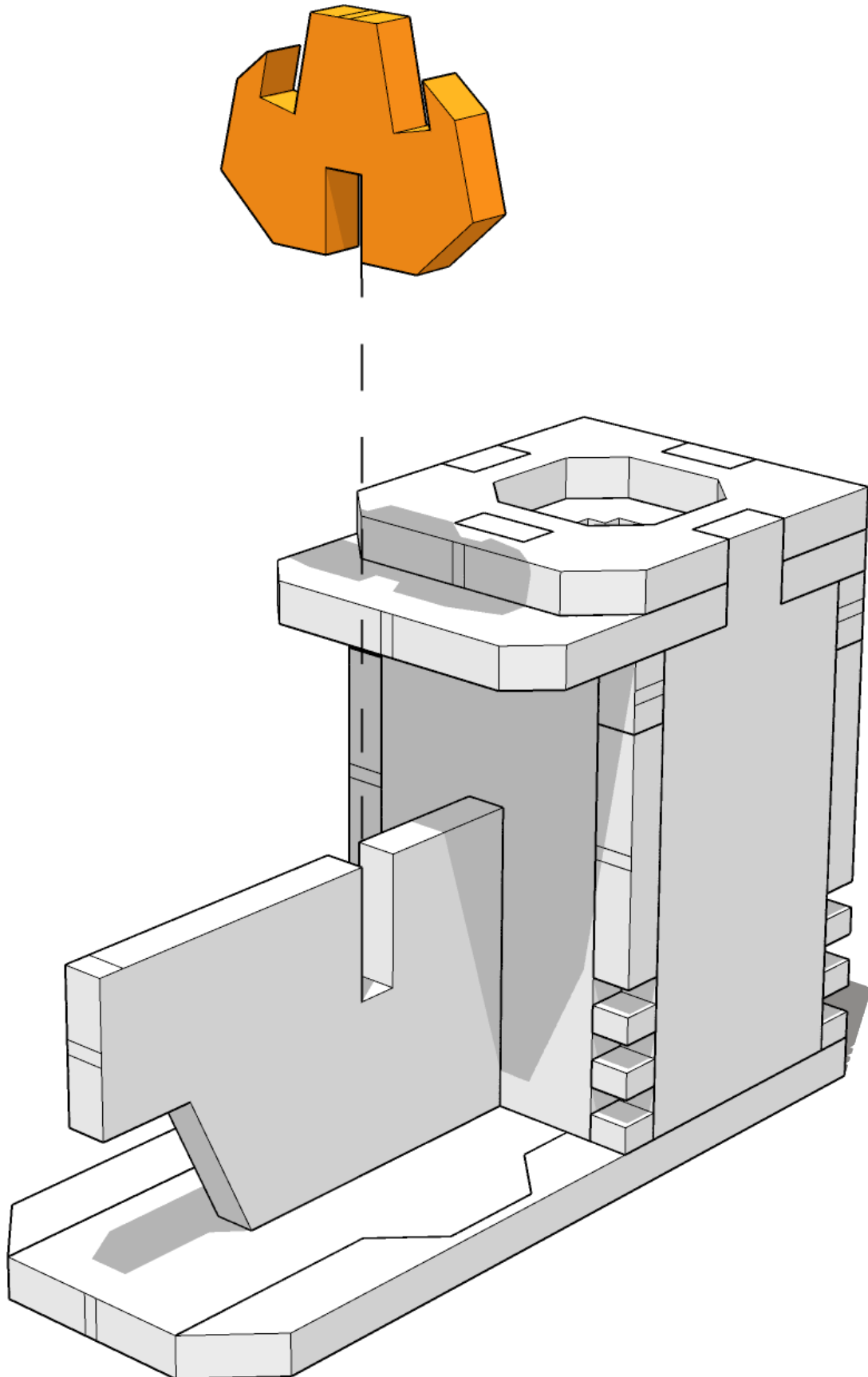




# TABLETOP SCENICS

**TTSCW-SFU-159**  
**Slab Street**  
**Junctions**

**37**

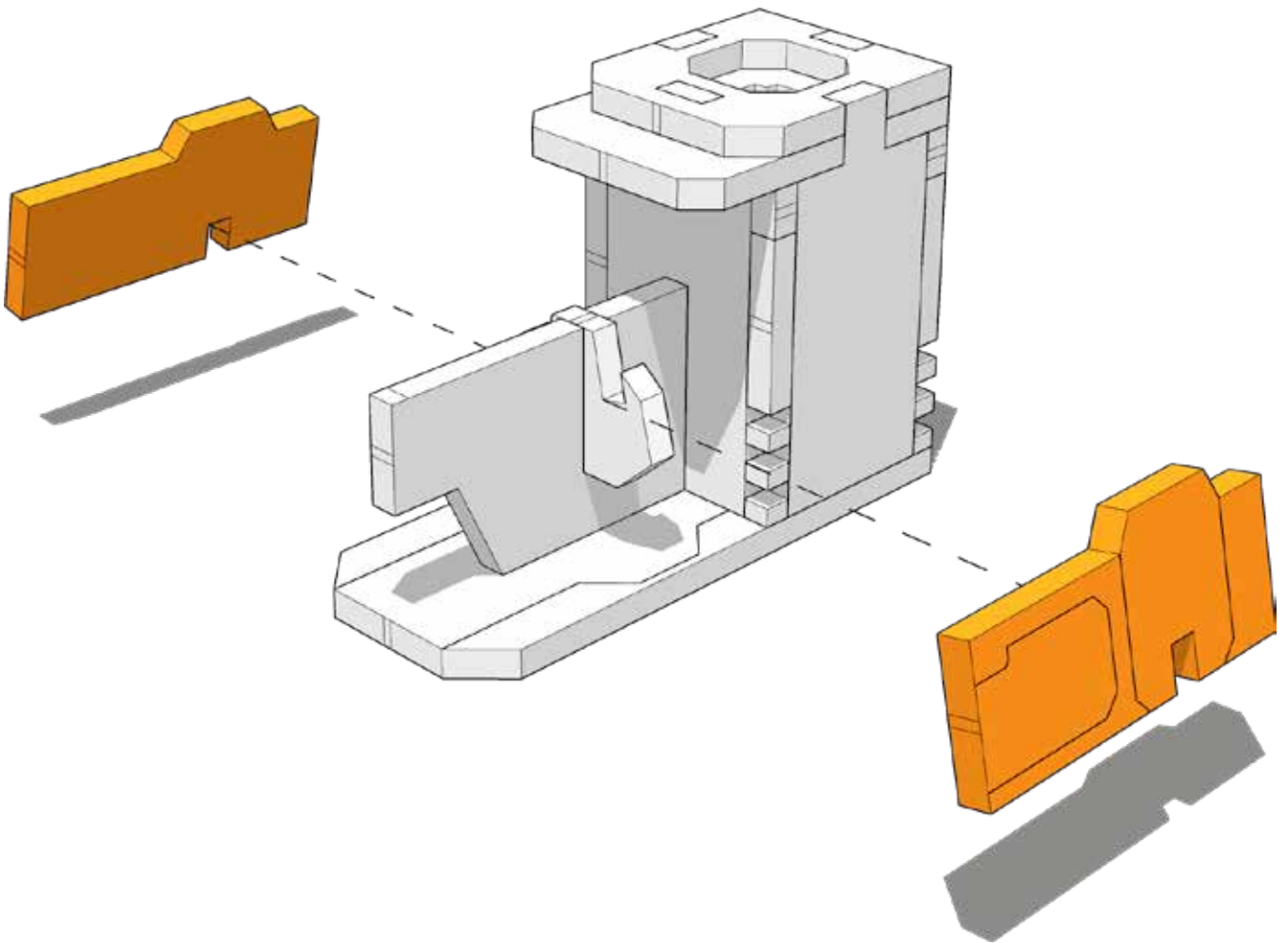




# TABLETOP SCENICS

**TTSCW-SFU-159**  
**Slab Street**  
**Junctions**

**38**

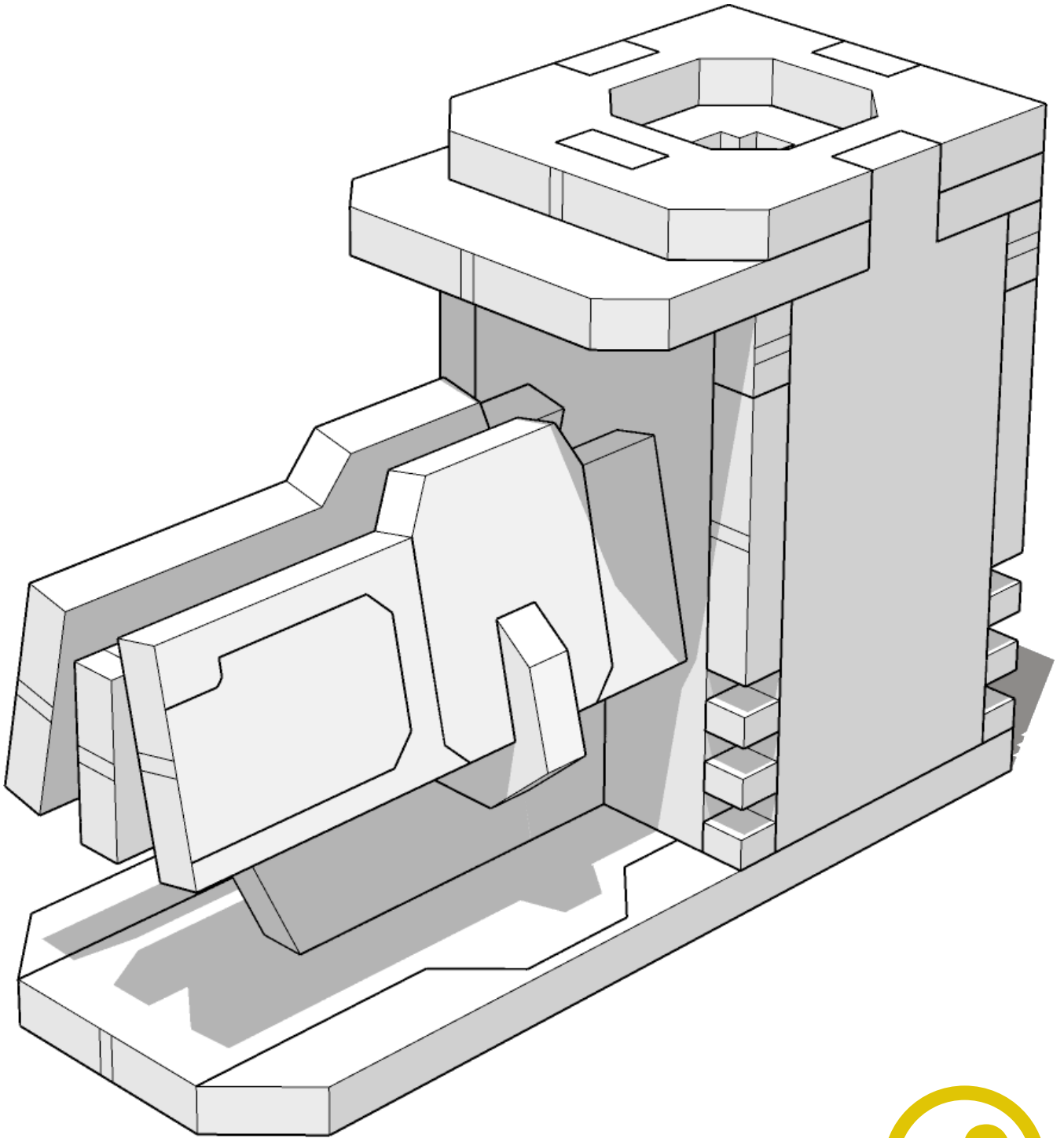




# TABLETOP SCENICS

**TTSCW-SFU-159**  
**Slab Street**  
**Junctions**

**39**



**x3**

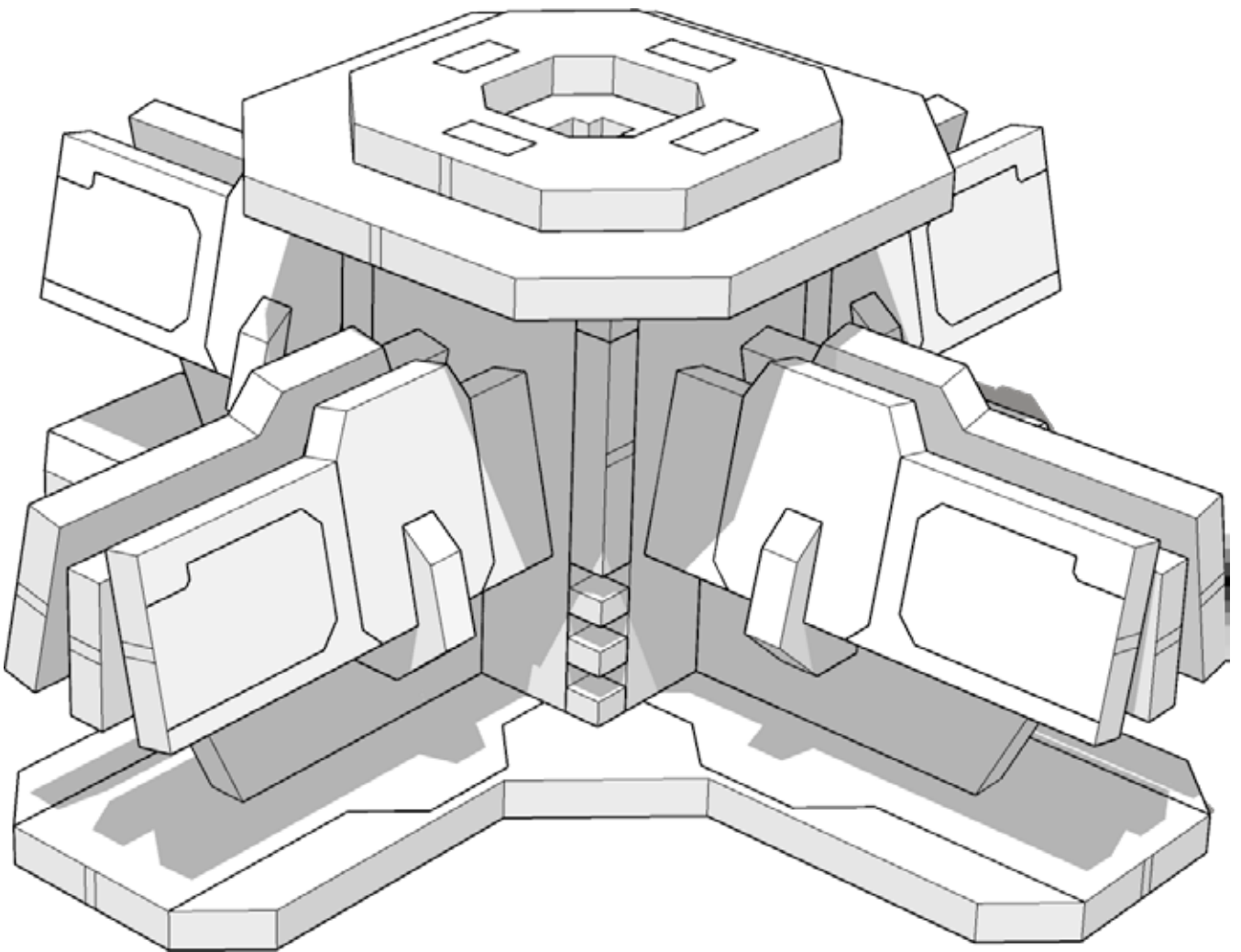
 **TTCOMBAT**



# TABLETOP SCENICS

**TTSCW-SFU-159**  
**Slab Street**  
**Junctions**

**40**



Cross Junction

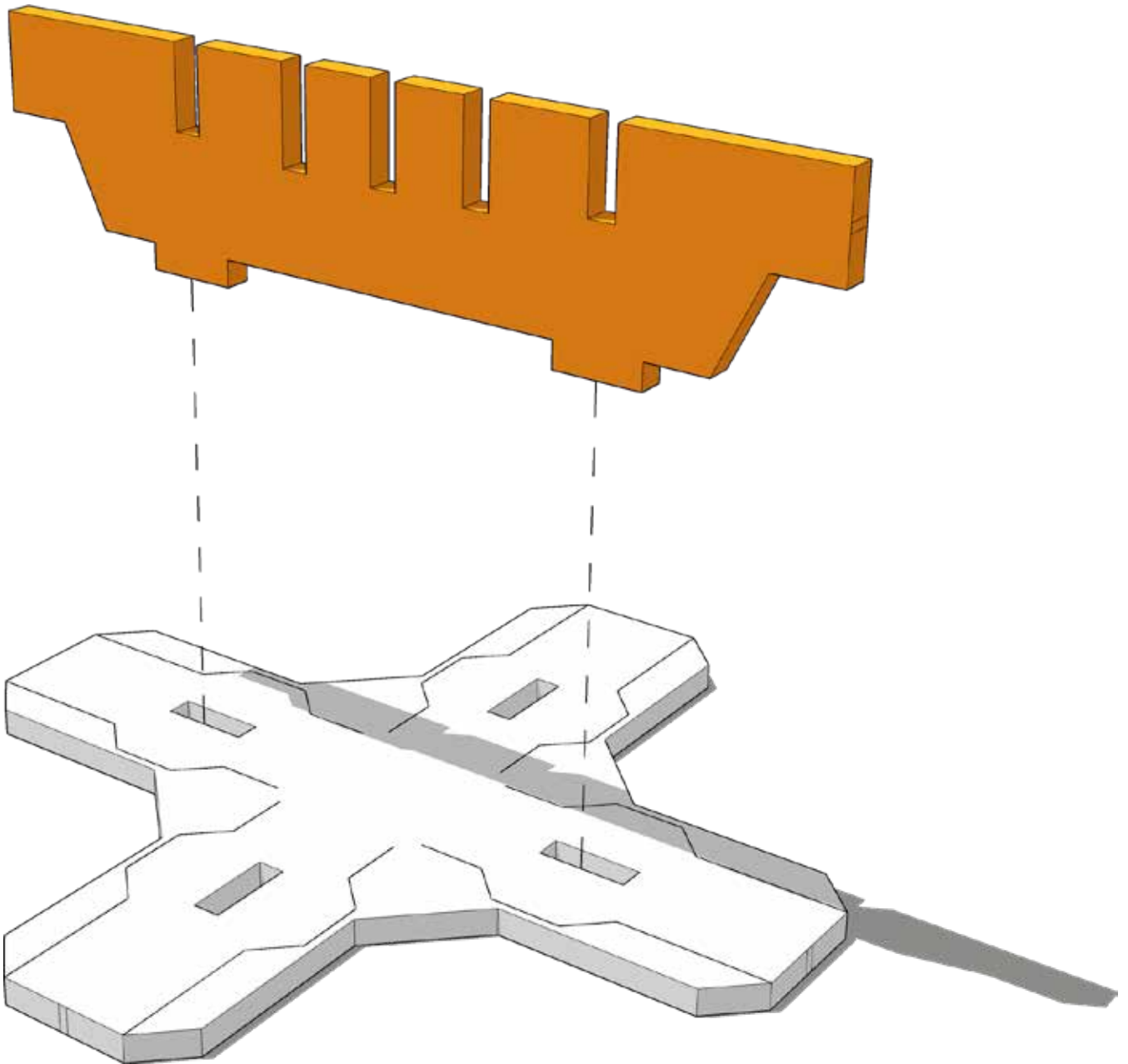




# TABLETOP SCENICS

TTSCW-SFU-159  
Slab Street  
Junctions

41

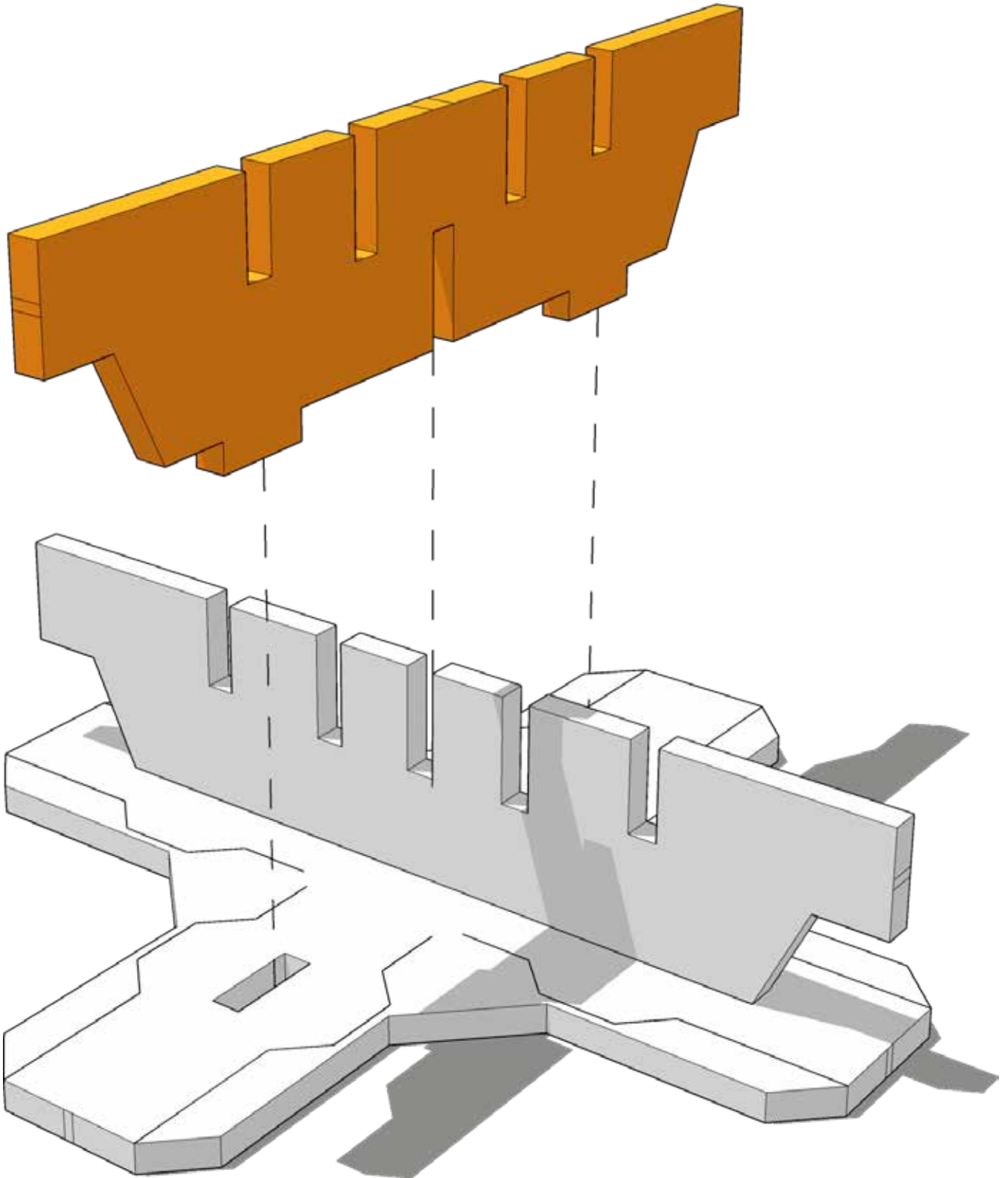




# TABLETOP SCENICS

**TTSCW-SFU-159**  
**Slab Street**  
**Junctions**

**42**

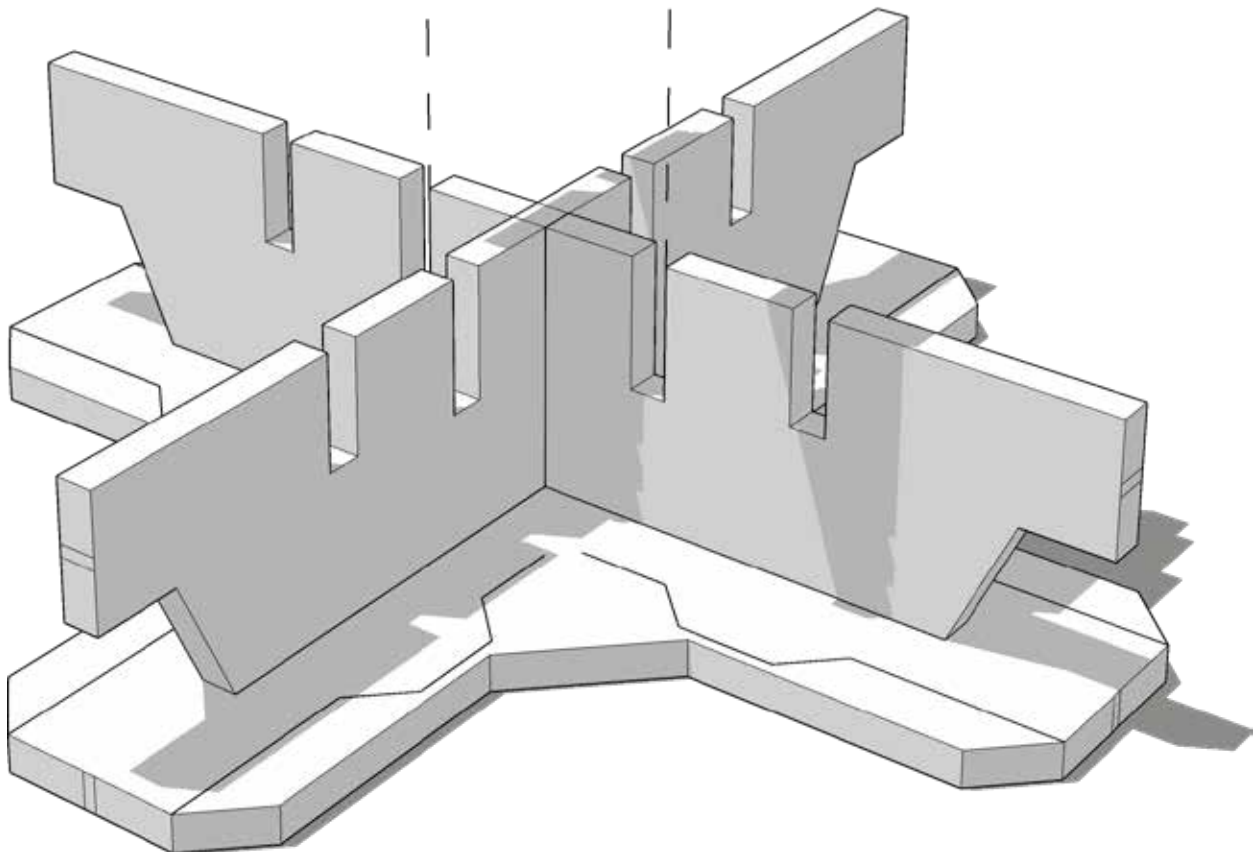
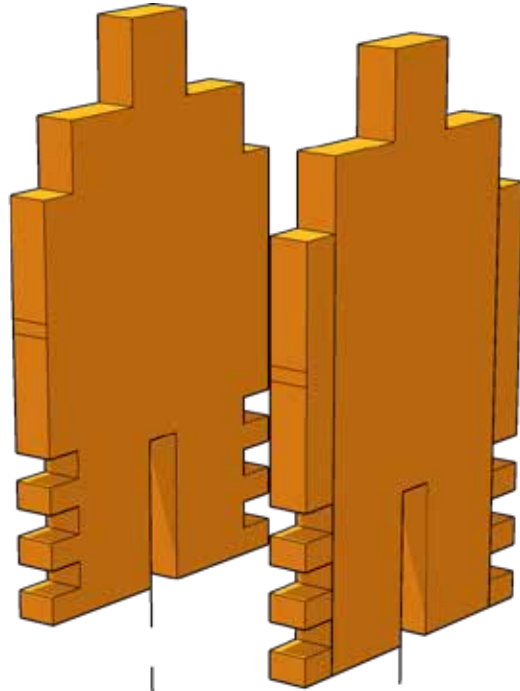




# TABLETOP SCENICS

**TTSCW-SFU-159**  
**Slab Street**  
**Junctions**

**43**

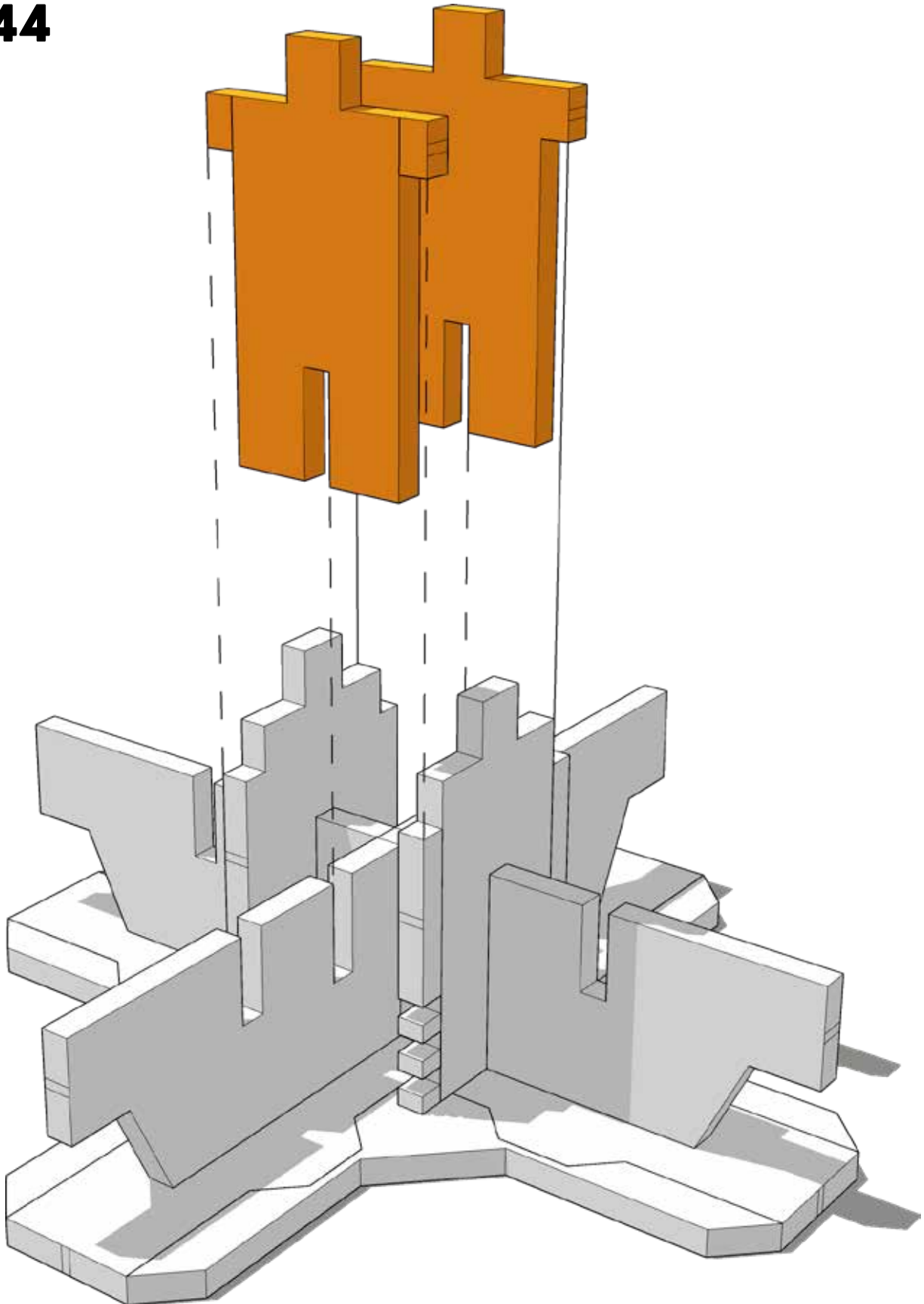




# TABLETOP SCENICS

**TTSCW-SFU-159**  
**Slab Street**  
**Junctions**

**44**

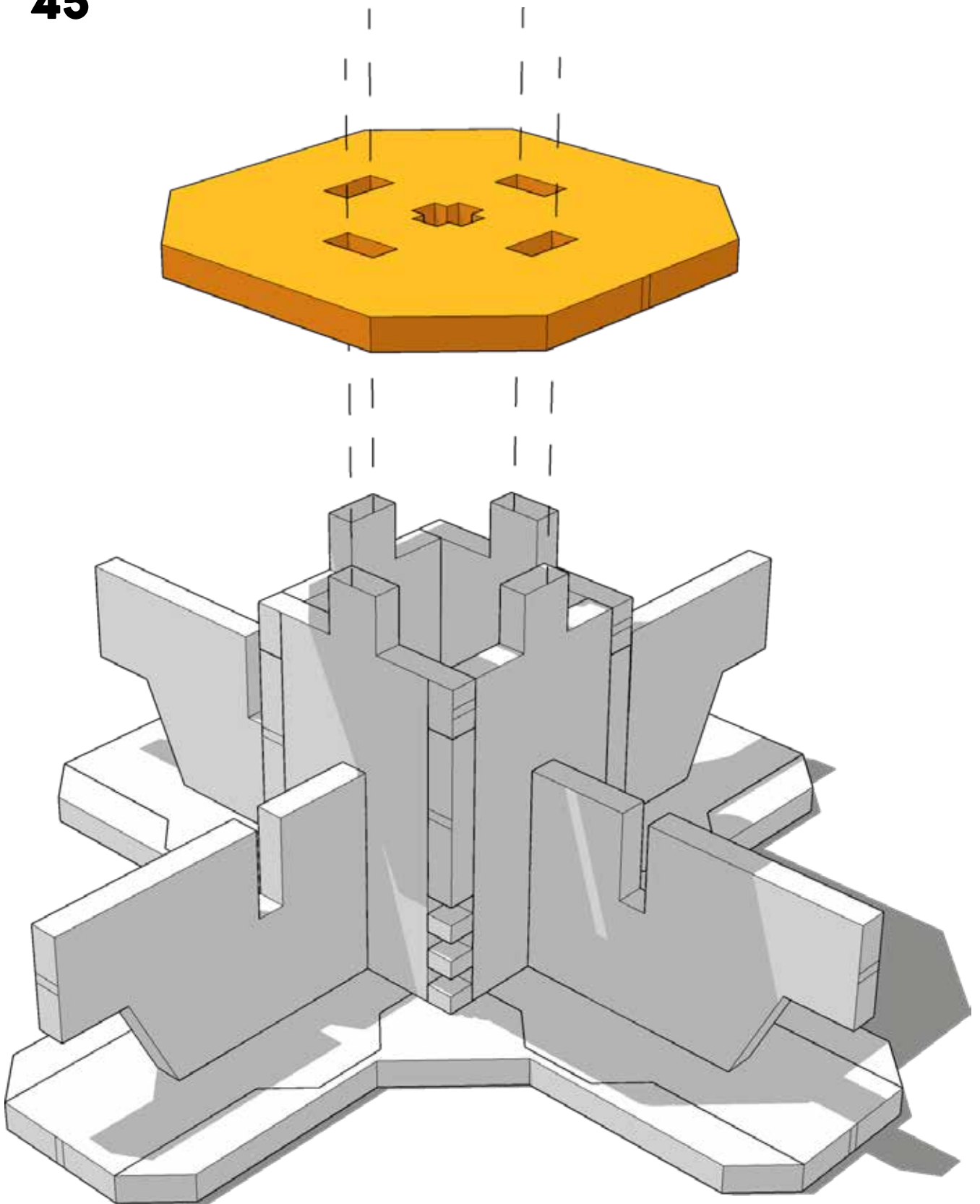




# TABLETOP SCENICS

TTSCW-SFU-159  
Slab Street  
Junctions

45

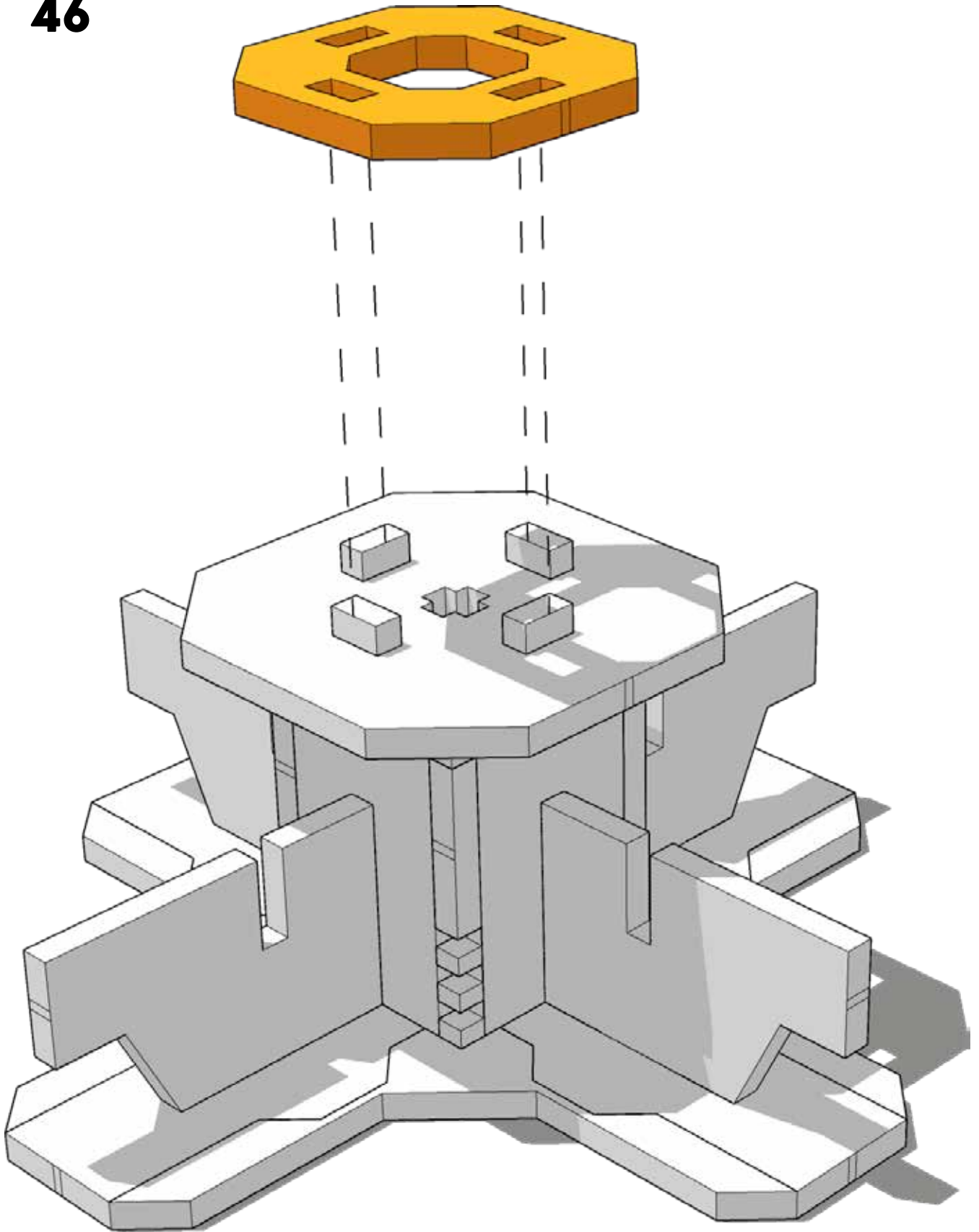




# TABLETOP SCENICS

**TTSCW-SFU-159**  
**Slab Street**  
**Junctions**

**46**



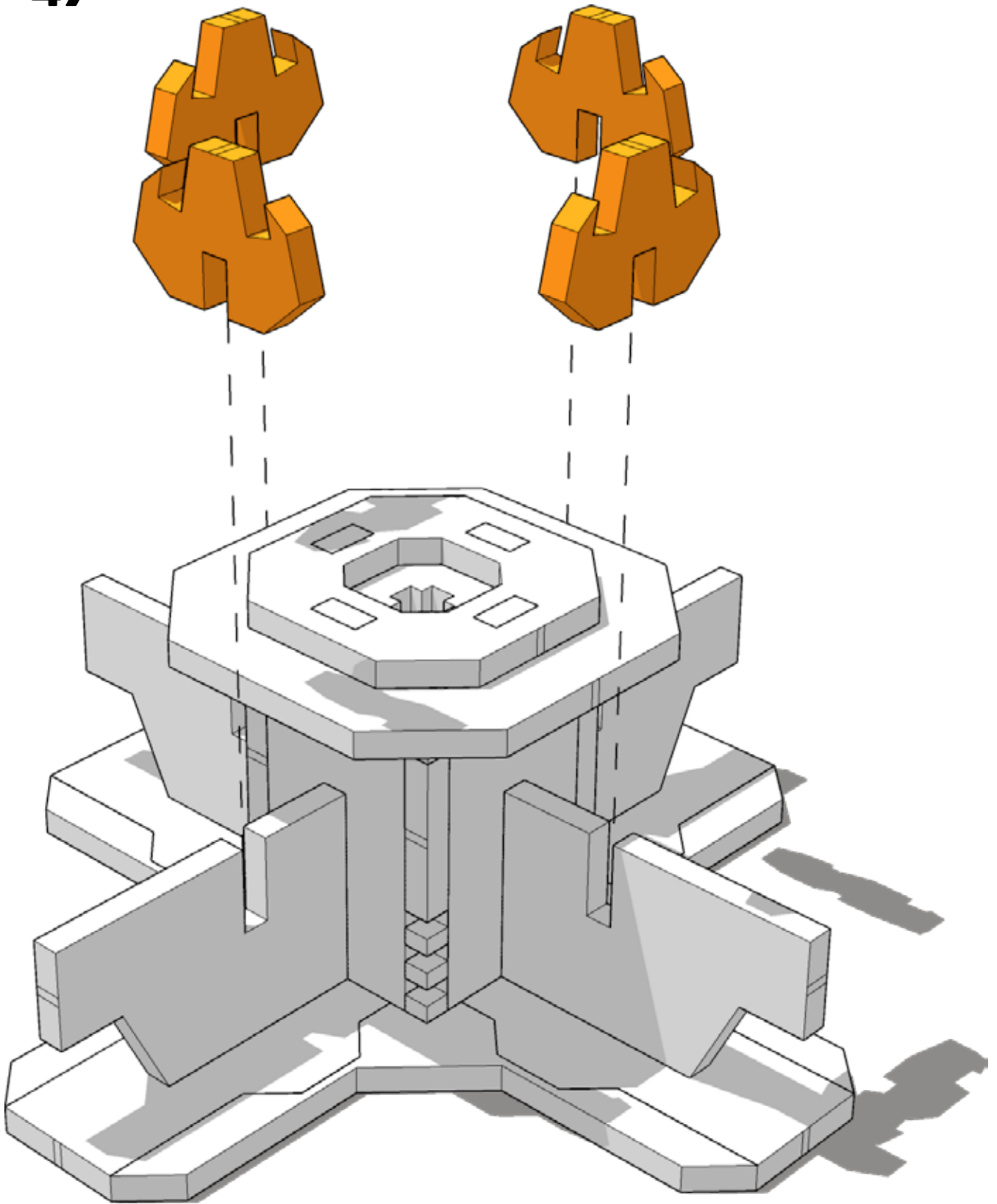




# TABLETOP SCENICS

TTSCW-SFU-159  
Slab Street  
Junctions

47

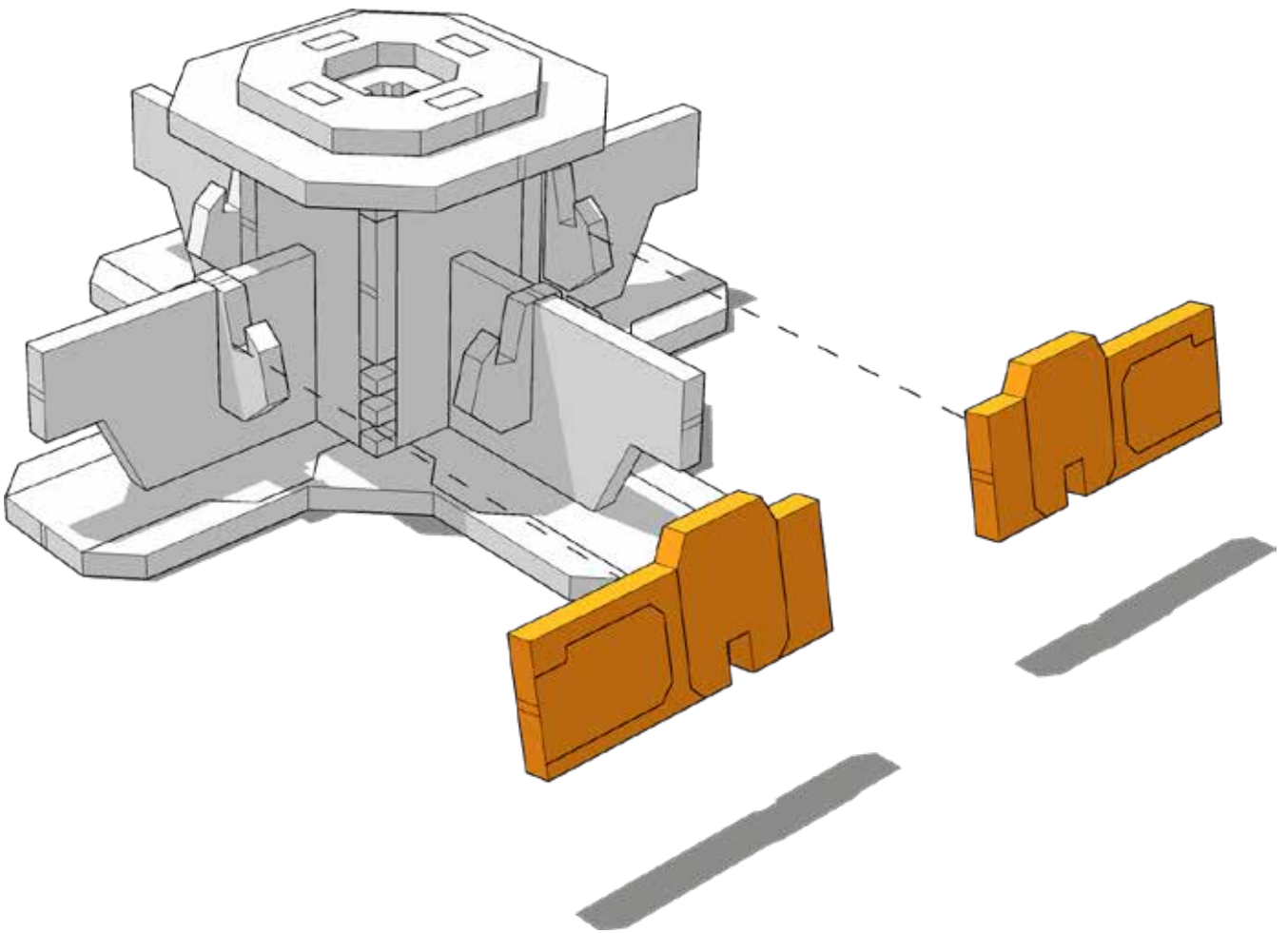




# TABLETOP SCENICS

TTSCW-SFU-159  
Slab Street  
Junctions

48



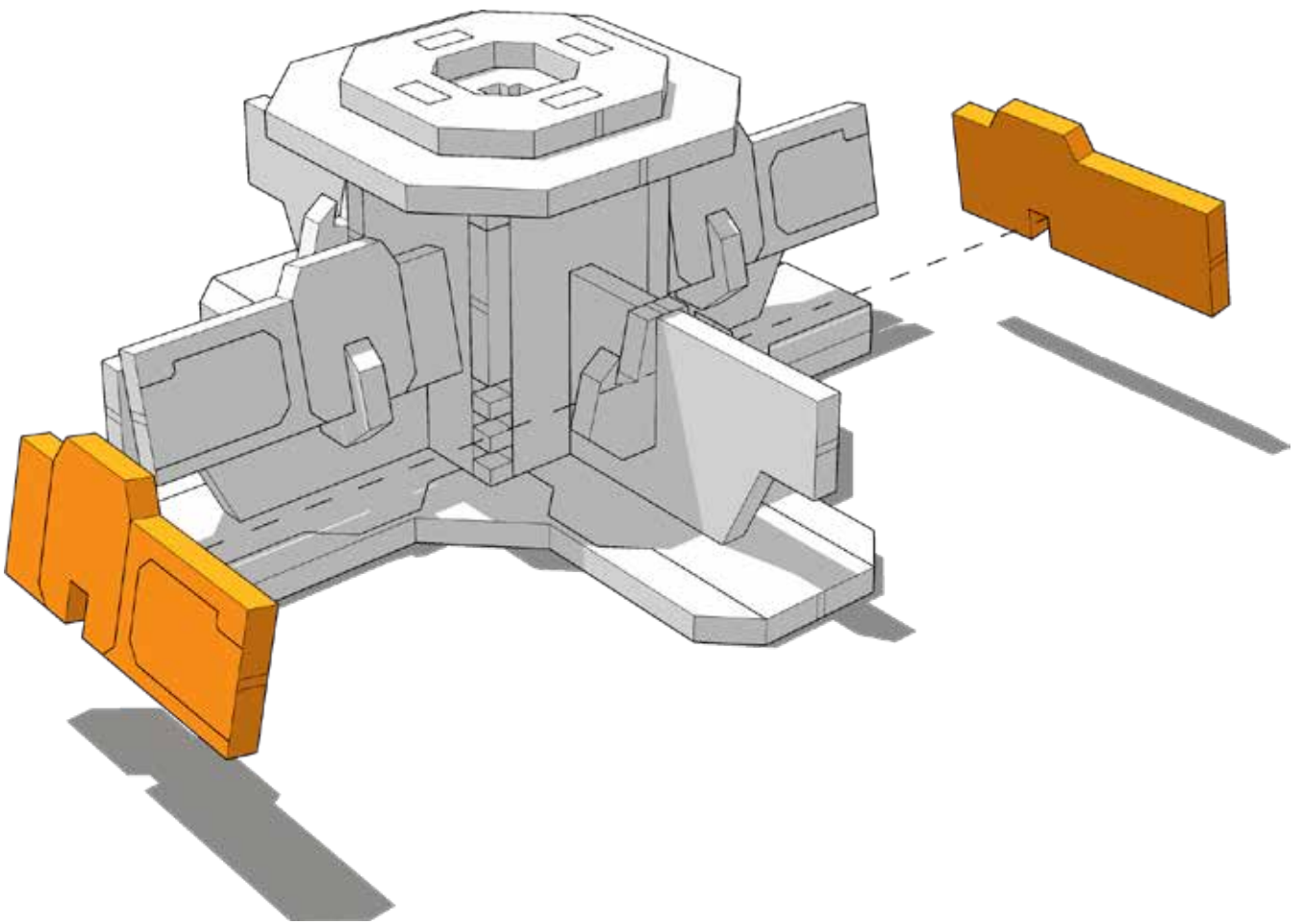




# TABLETOP SCENICS

**TTSCW-SFU-159**  
**Slab Street**  
**Junctions**

**49**

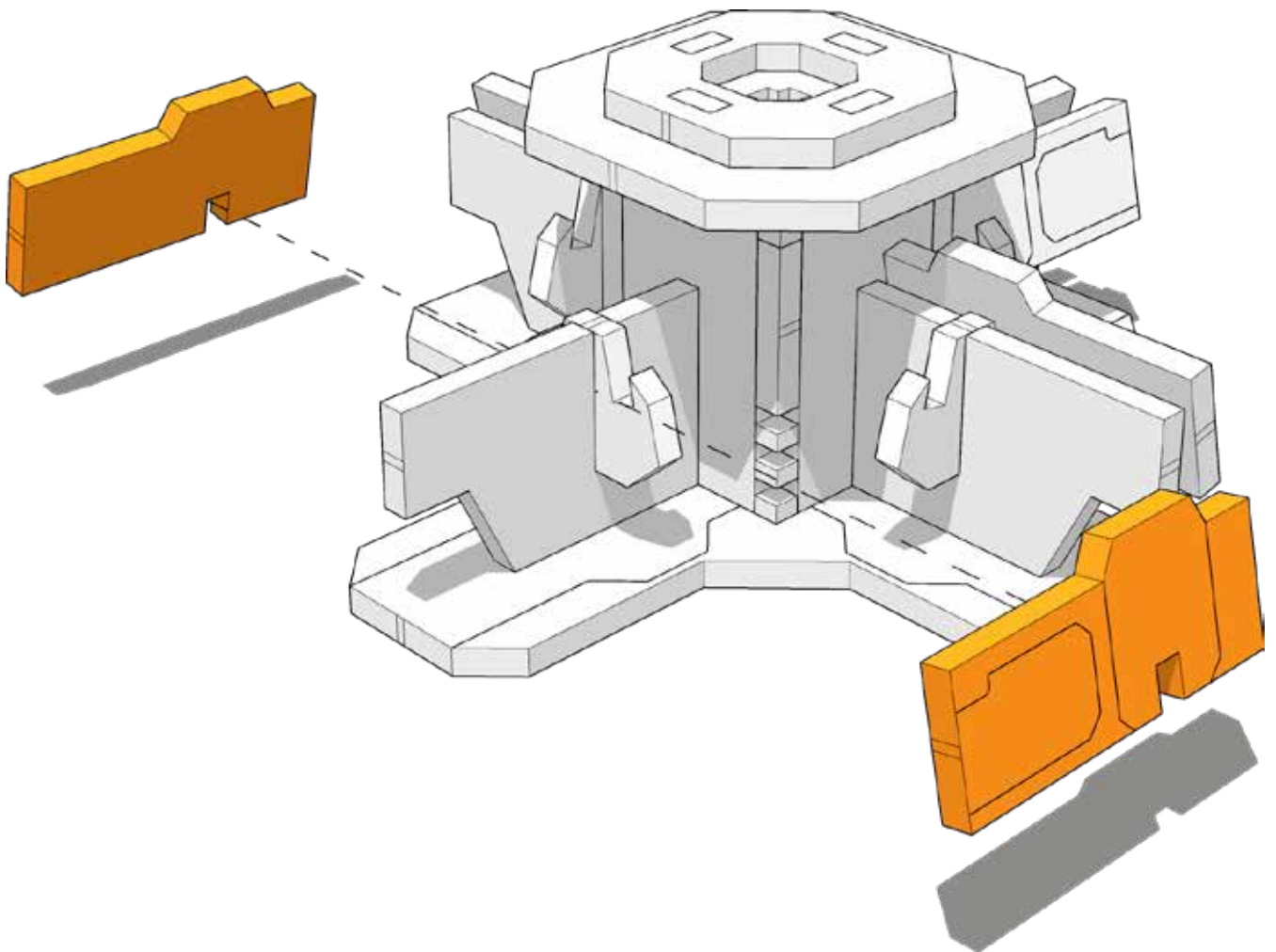




# TABLETOP SCENICS

**TTSCW-SFU-159**  
**Slab Street**  
**Junctions**

**50**

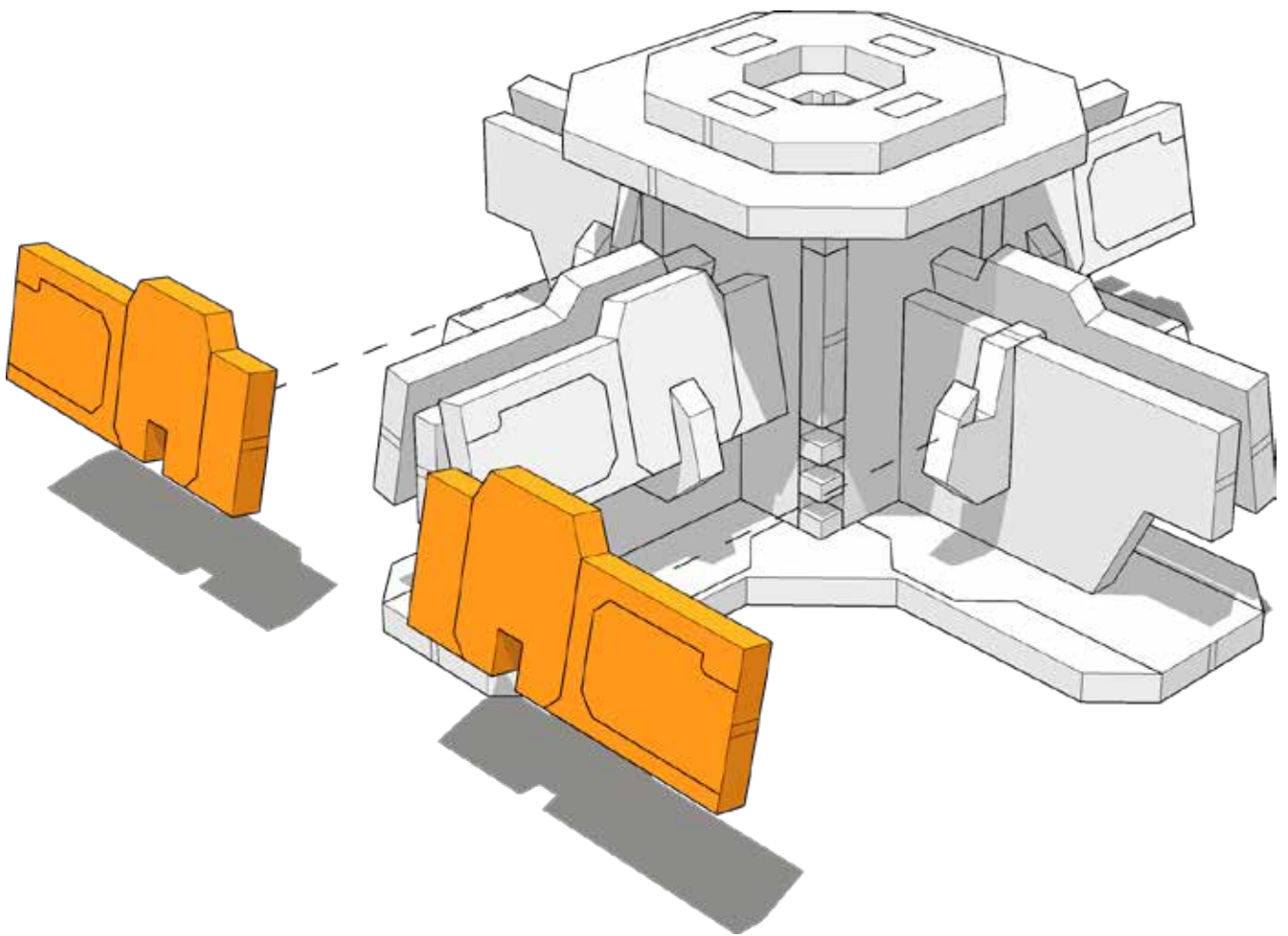




# TABLETOP SCENICS

**TTSCW-SFU-159**  
**Slab Street**  
**Junctions**

**51**

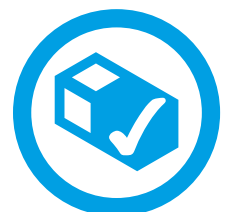
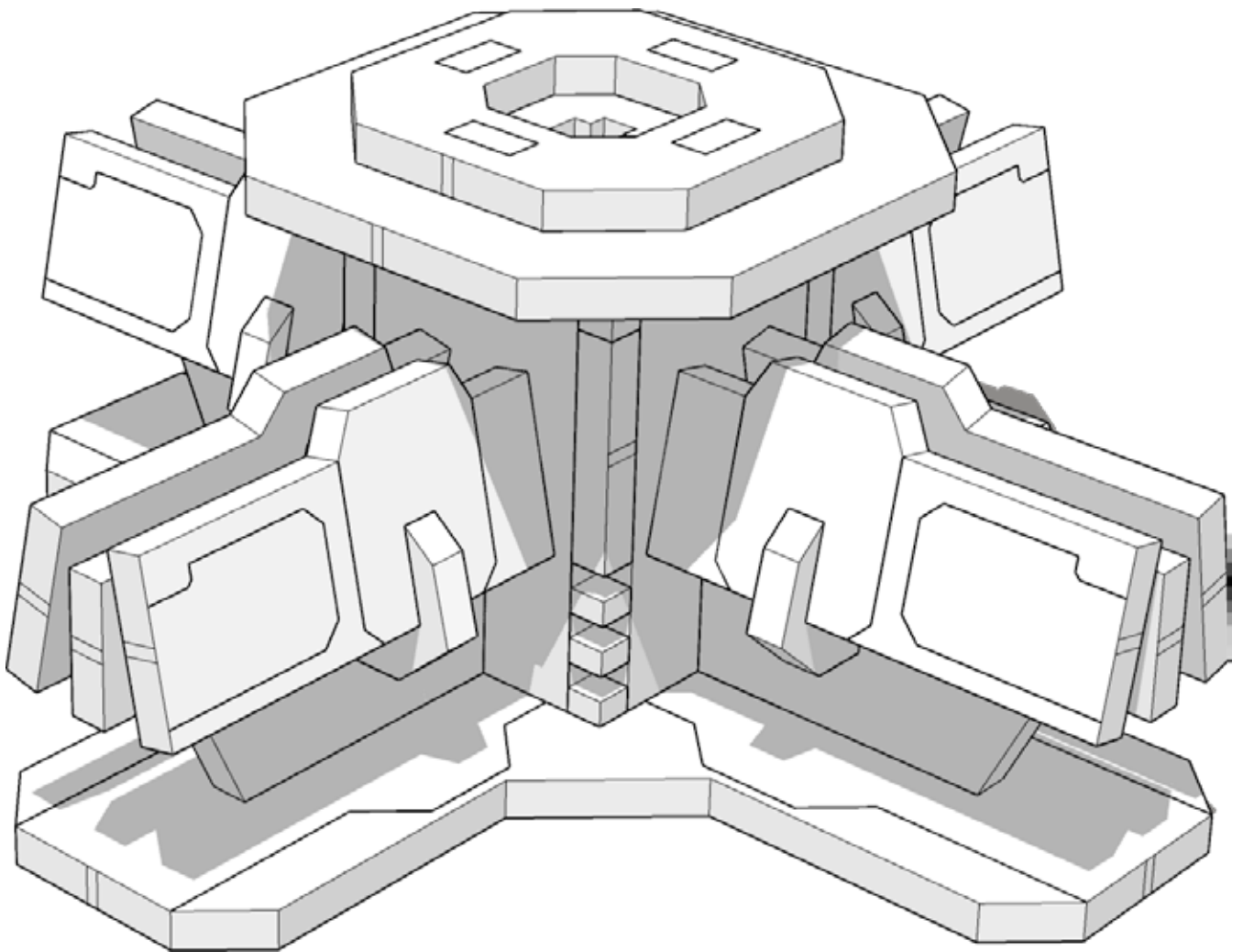




# TABLETOP SCENICS

**TTSCW-SFU-159**  
**Slab Street**  
**Junctions**

**52**





# TABLETOP SCENICS

**TTSCW-SFU-159**  
**Slab Street**  
**Junctions**

**53**

