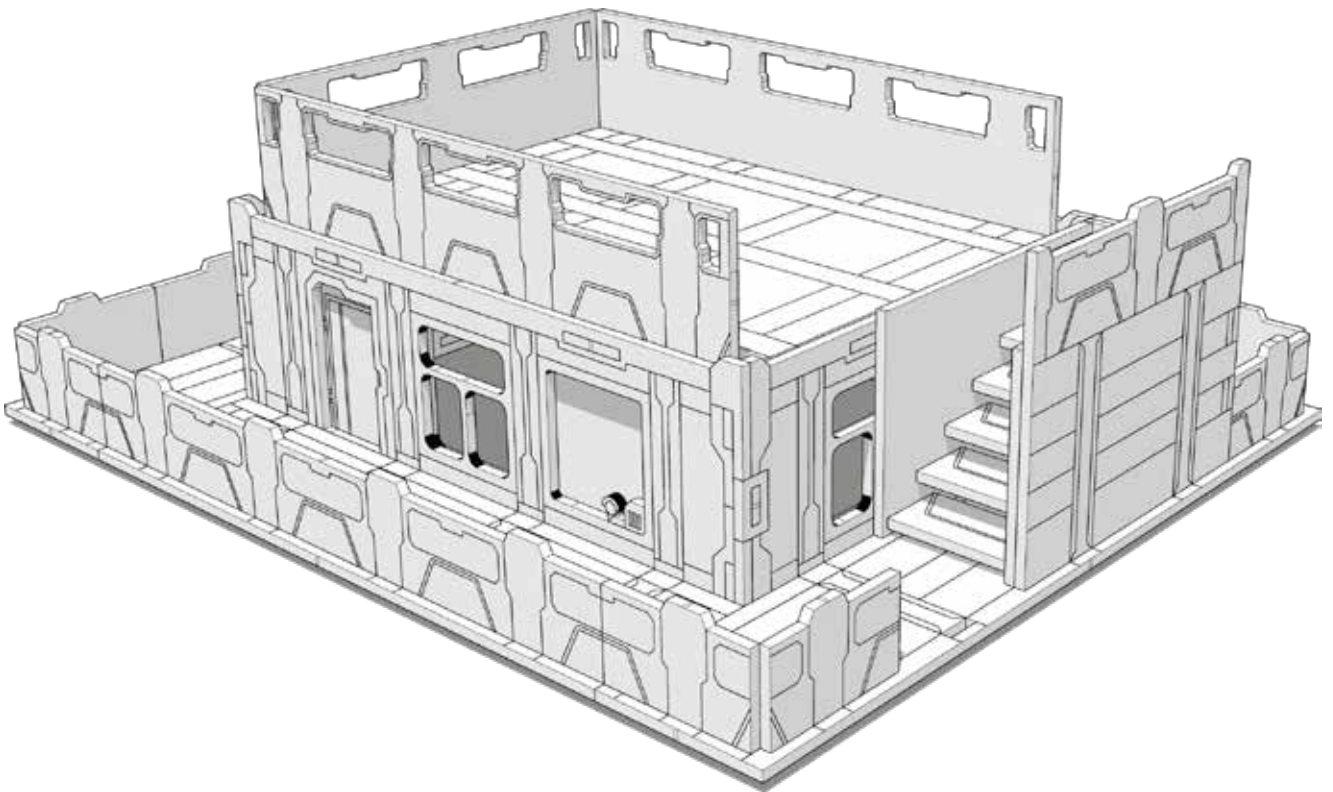




TABLETOP SCENICS

TTSCW-SFU-155
Slab Streets
Slab.Hab Medium



 **TTCOMBAT**



TABLETOP SCENICS

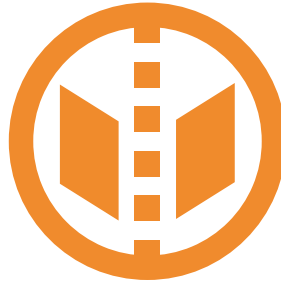
TTSCW-SFU-155
Slab Streets
Slab.Hab Medium

2

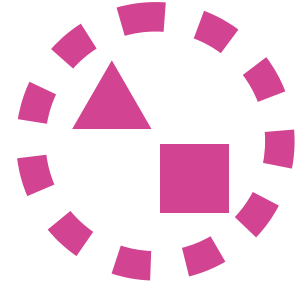
These are a series of icons that may be used throughout the instructions to help your assembly.
If in doubt, scroll ahead to confirm.



Do not glue this part



Carefully score and
fold this part



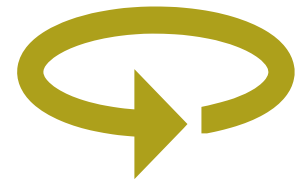
This part - or its placement is
completely optional



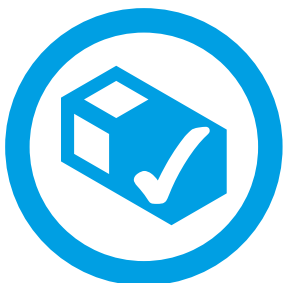
Look closely at this step -
The process order or part
used, may be specific



Repeat making this part
the specified number
of times



The next instruction step
will be the same assembly
so far, but from a different
angle



Sub-assembly complete.
This smaller construction
is ready to add to the
main kit



Assembly Complete! There
could be more optional
parts - check to the very end
of instructions



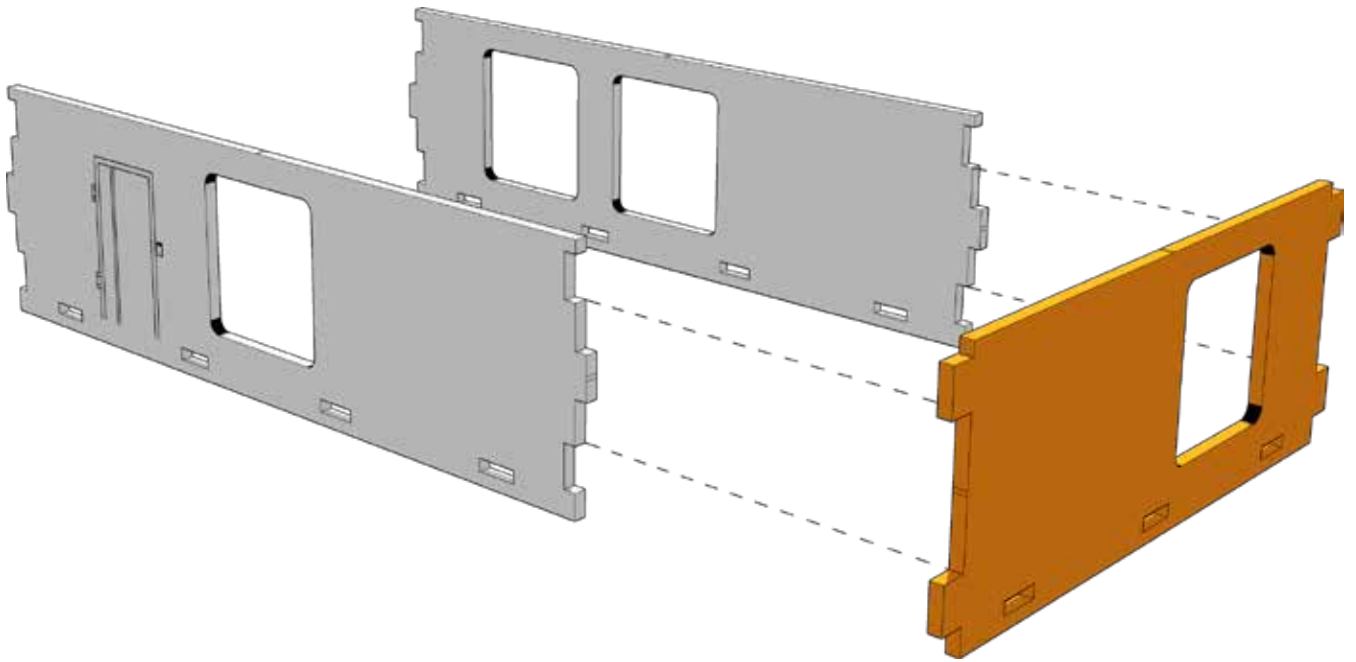
FRAGILE: DO NOT BEND.
“Bendy wood” is designed to
curve around a designed
frame only.



TABLETOP SCENICS

TTSCW-SFU-155
Slab Streets
Slab.Hab Medium

3

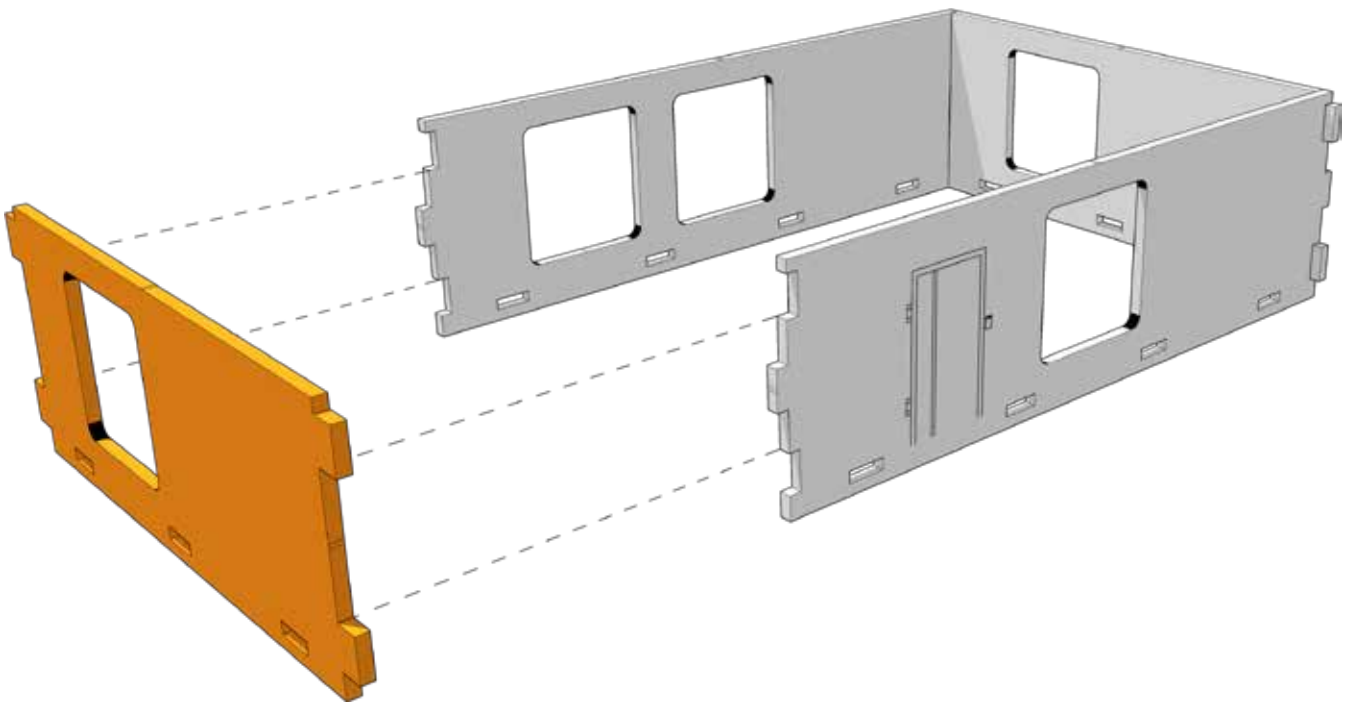




TABLETOP SCENICS

TTSCW-SFU-155
Slab Streets
Slab.Hab Medium

4

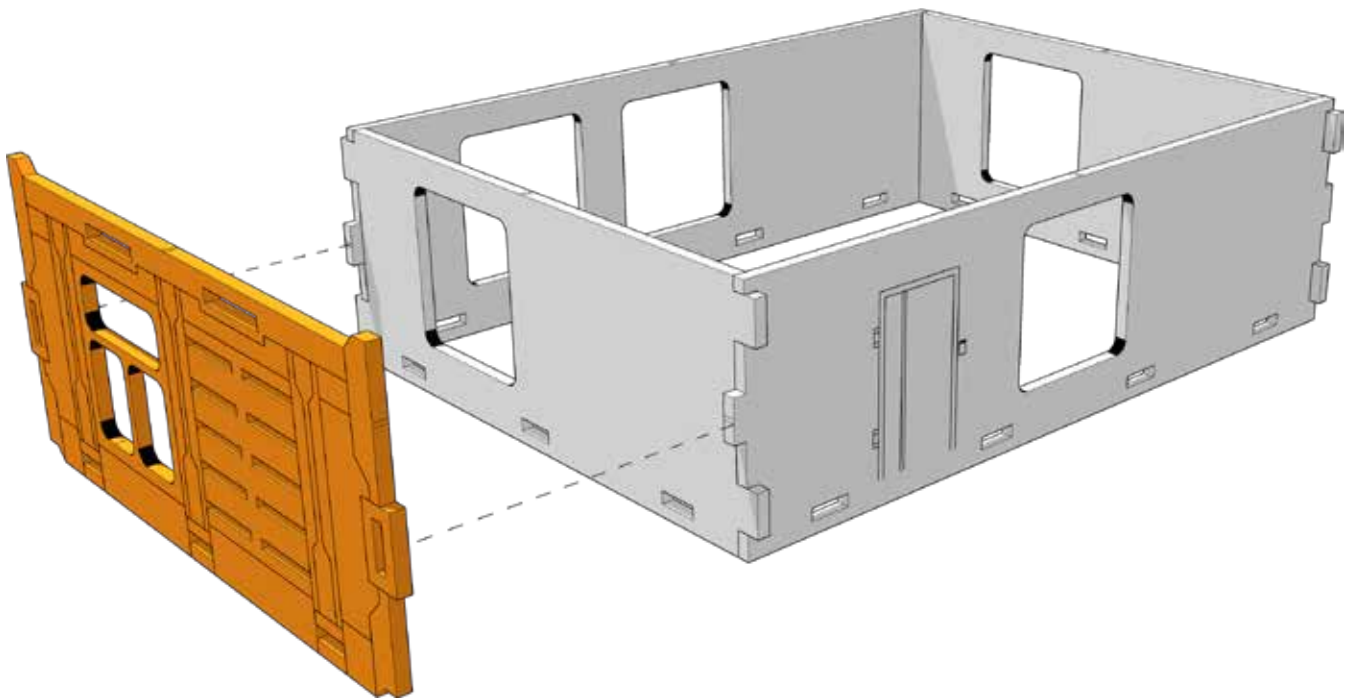




TABLETOP SCENICS

TTSCW-SFU-155
Slab Streets
Slab.Hab Medium

5

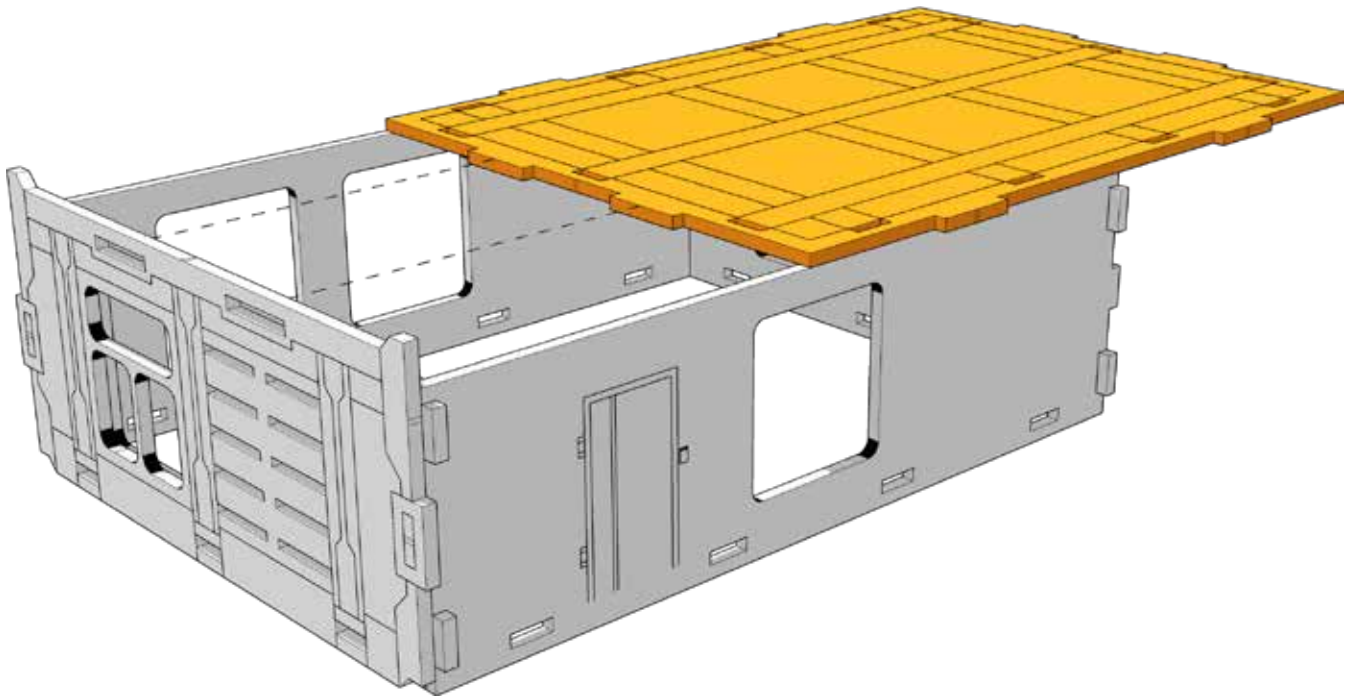




TABLETOP SCENICS

TTSCW-SFU-155
Slab Streets
Slab.Hab Medium

6

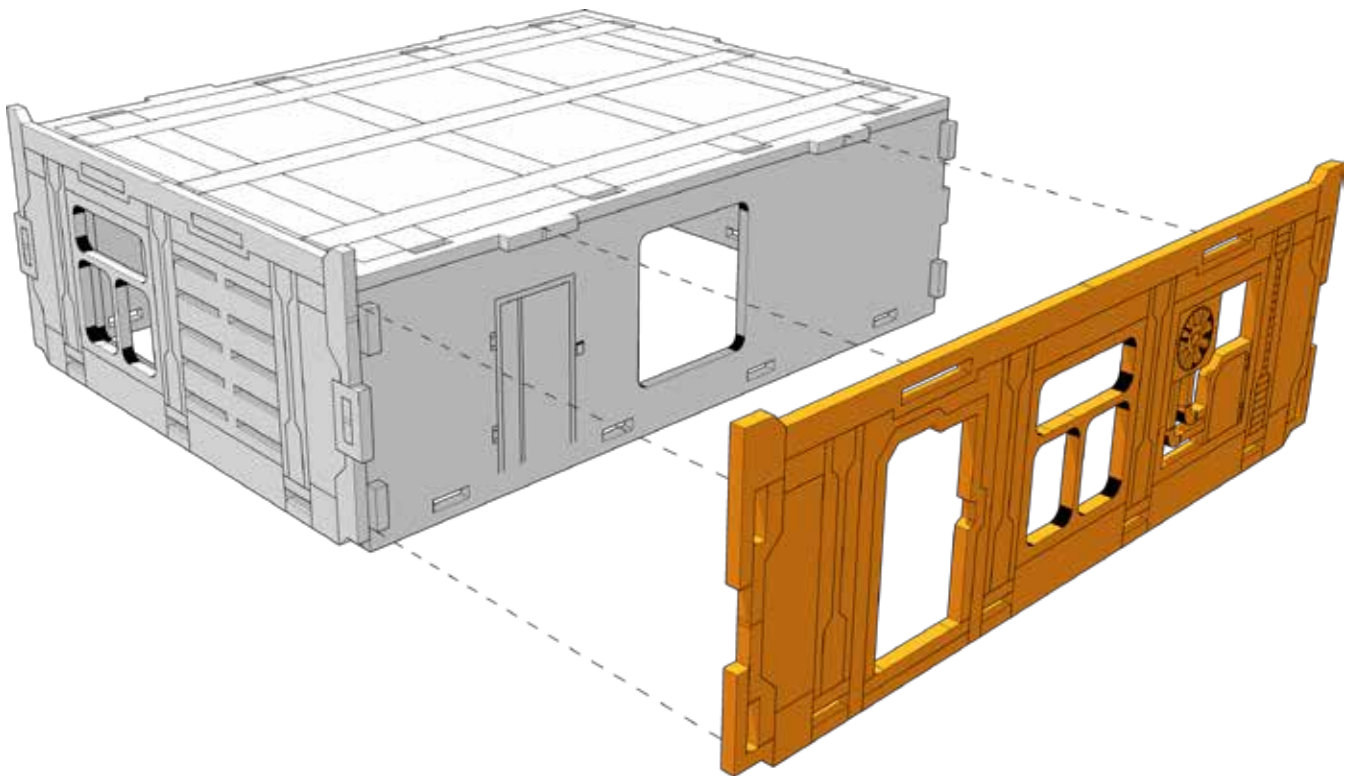




TABLETOP SCENICS

TTSCW-SFU-155
Slab Streets
Slab.Hab Medium

7

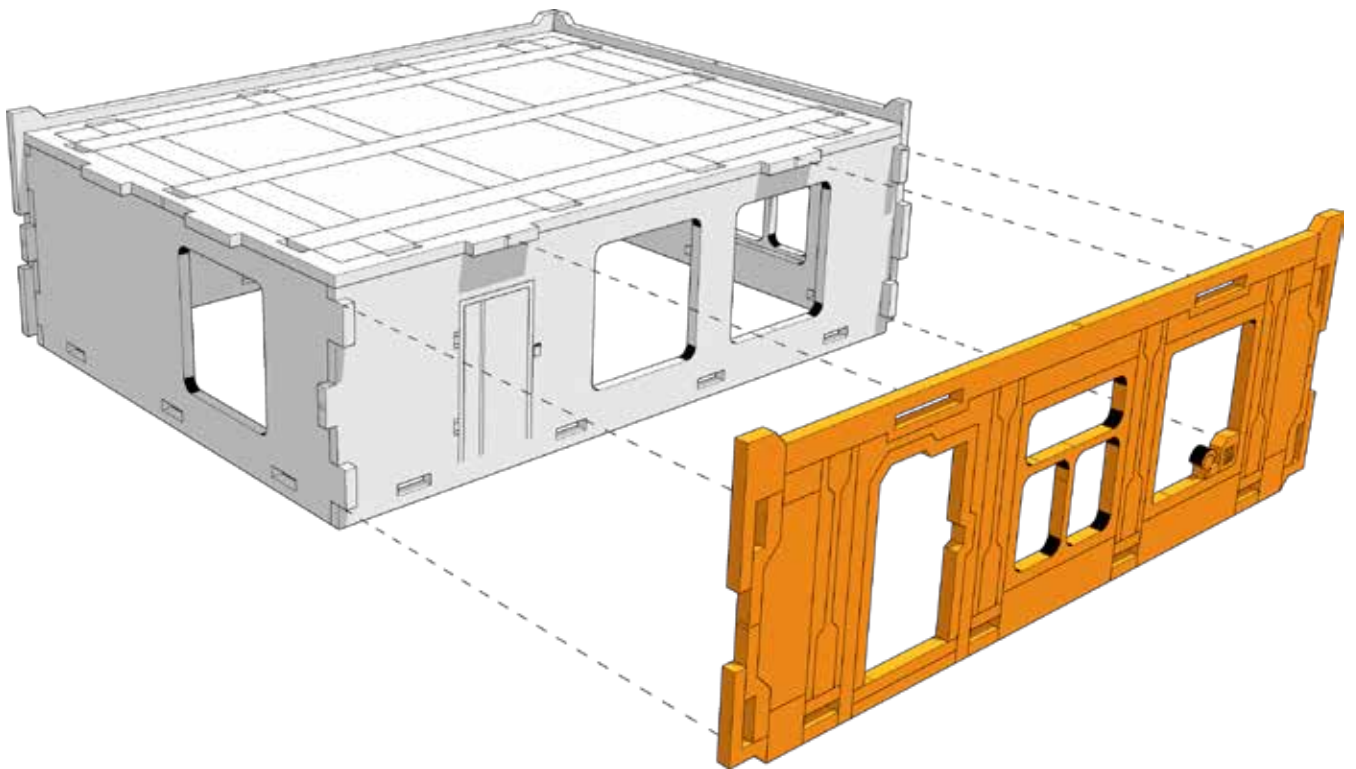




TABLETOP SCENICS

TTSCW-SFU-155
Slab Streets
Slab.Hab Medium

8

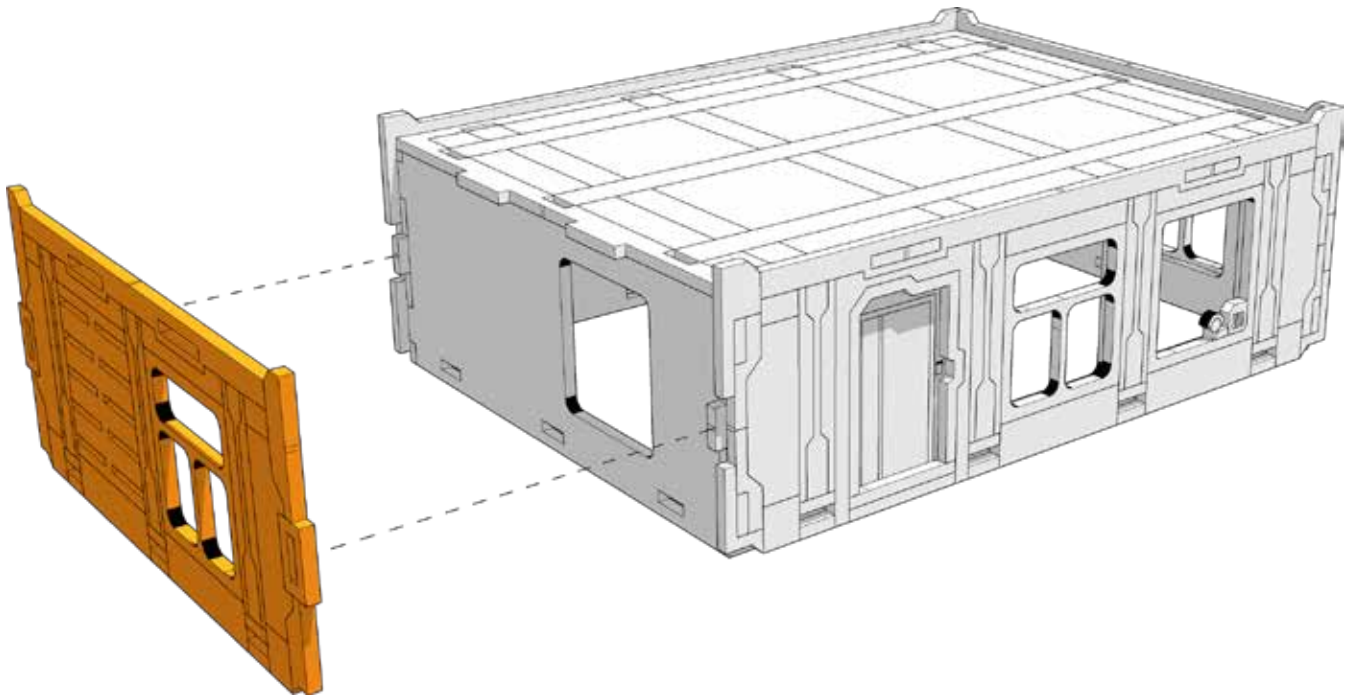




TABLETOP SCENICS

TTSCW-SFU-155
Slab Streets
Slab.Hab Medium

9

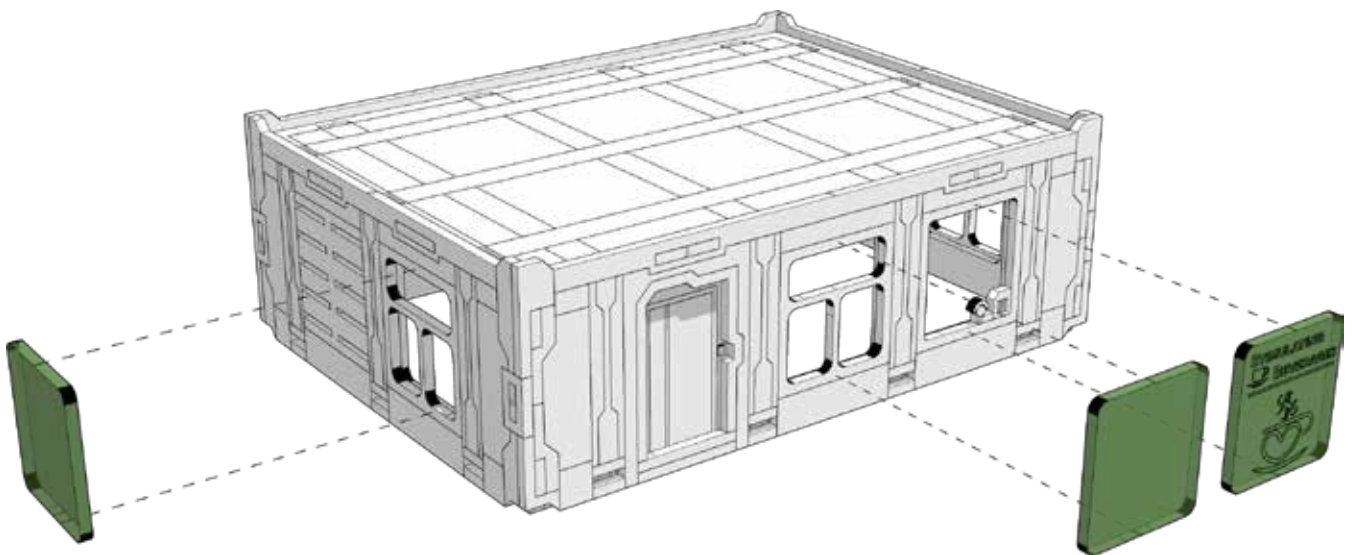




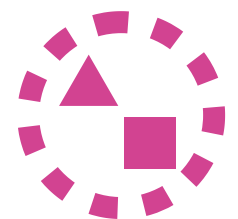
TABLETOP SCENICS

TTSCW-SFU-155
Slab Streets
Slab.Hab Medium

10



Recommended to test fit first. Insert windows from the inside.
Detailed windows are optional and fit on the end where there is no
centre frame



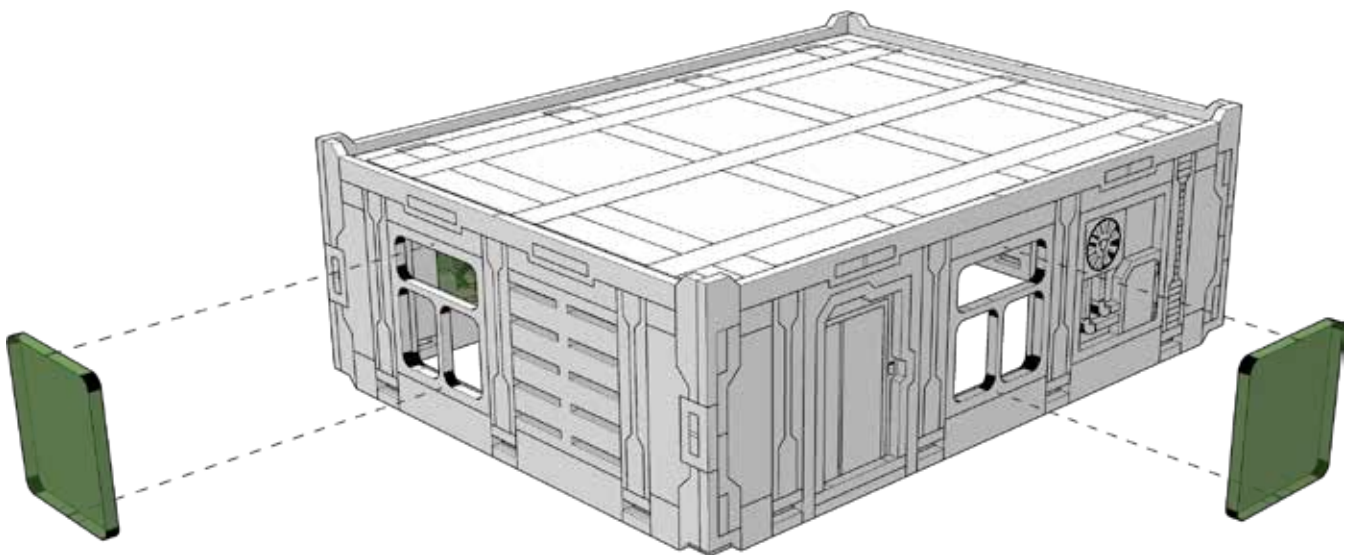
 **TTCOMBAT**



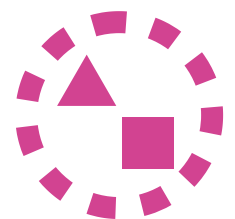
TABLETOP SCENICS

TTSCW-SFU-155
Slab Streets
Slab.Hab Medium

11



Recommended to test fit first. Insert windows from the inside.
Detailed windows are optional and fit on the end where there is no
centre frame



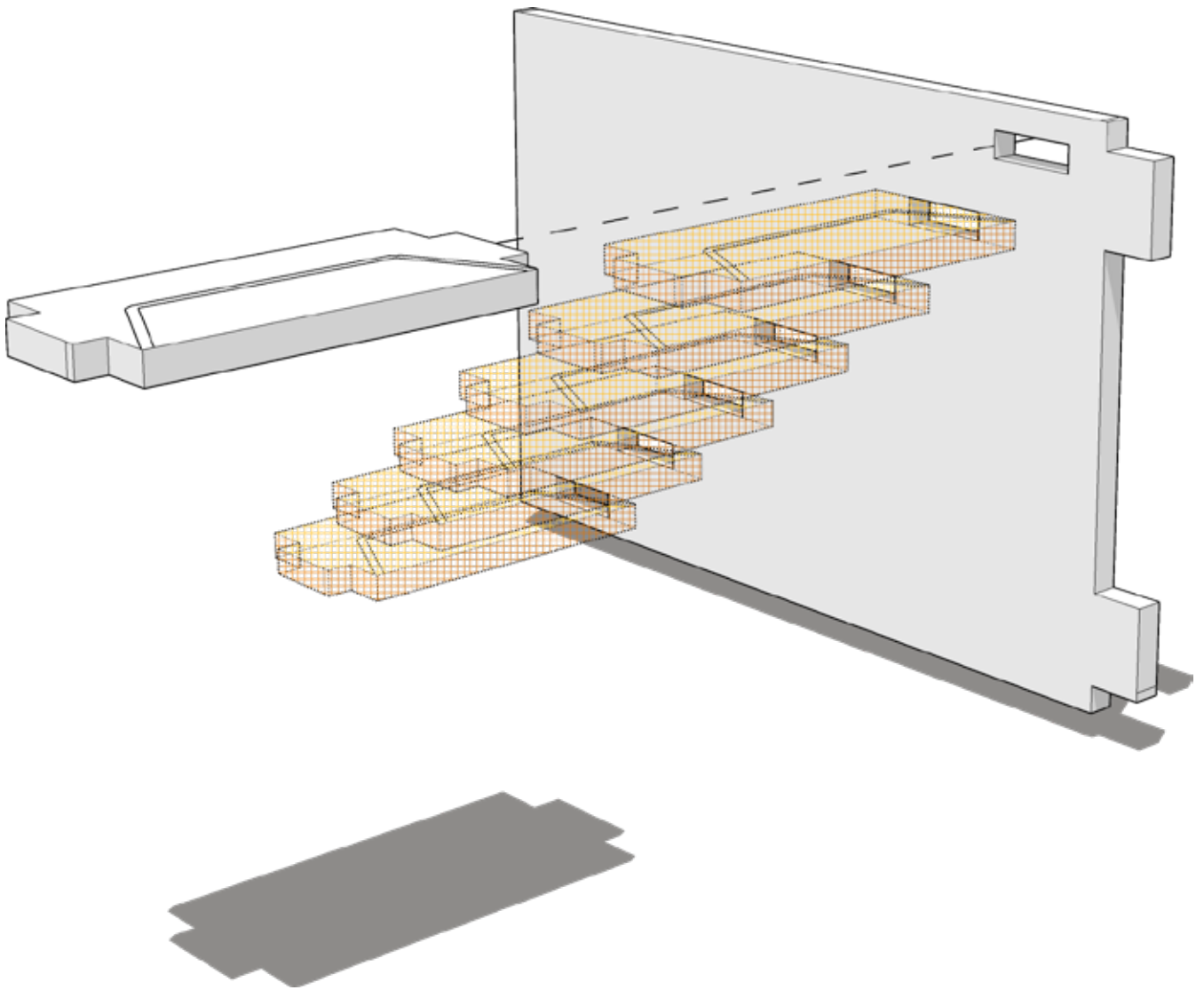
 **TTCOMBAT**



TABLETOP SCENICS

TTSCW-SFU-155
Slab Streets
Slab.Hab Medium

12

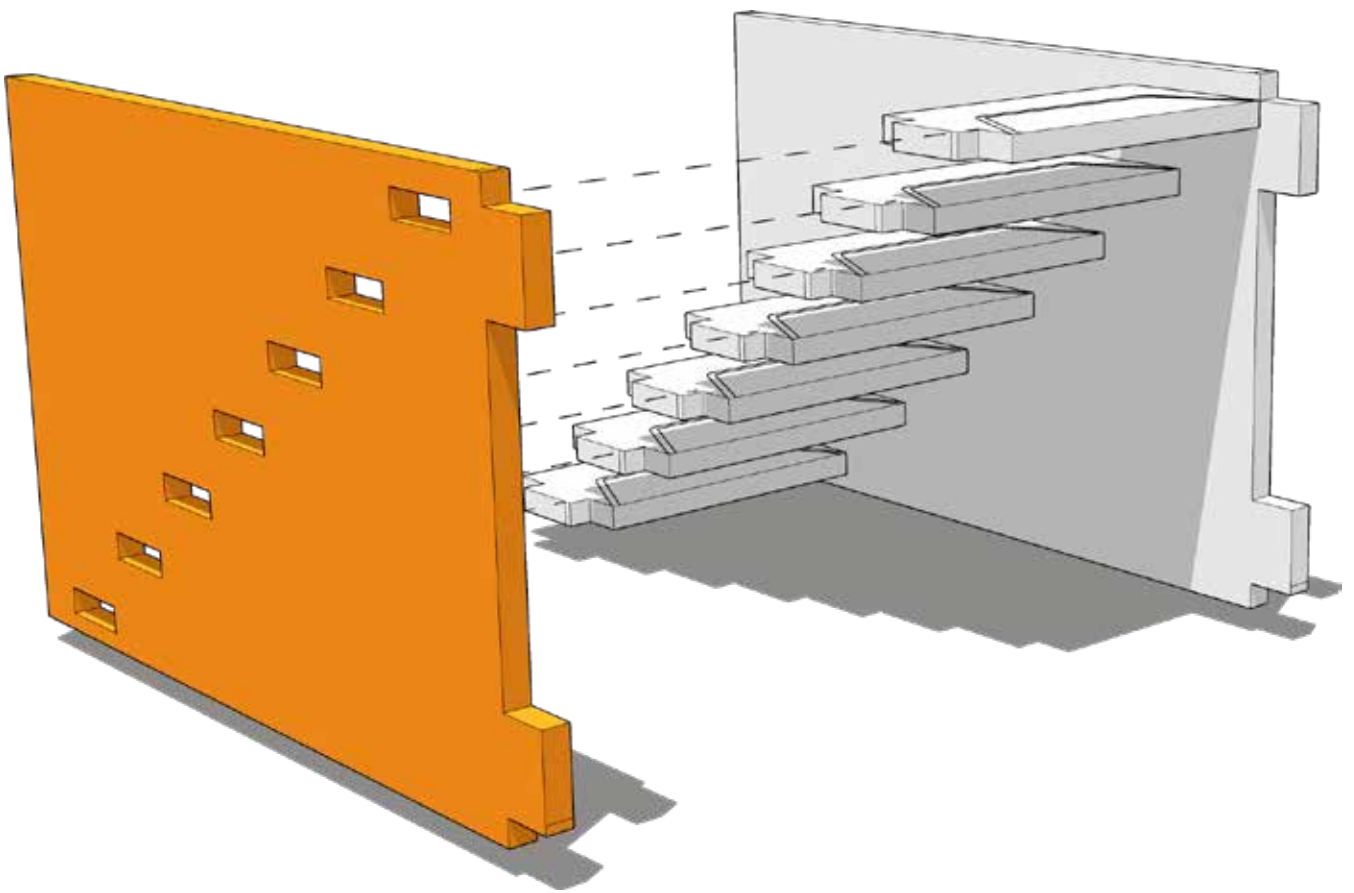




TABLETOP SCENICS

TTSCW-SFU-155
Slab Streets
Slab.Hab Medium

13

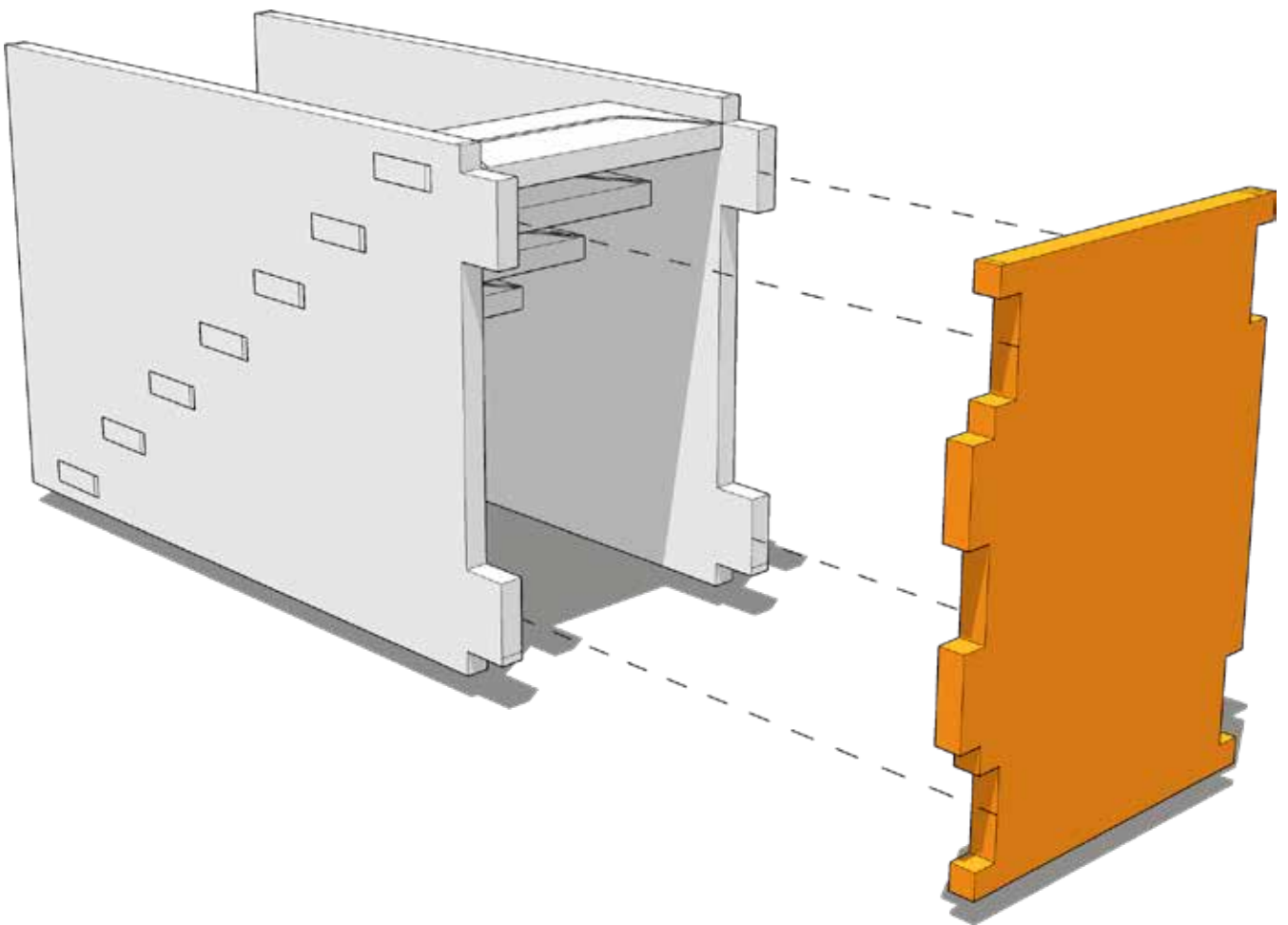




TABLETOP SCENICS

TTSCW-SFU-155
Slab Streets
Slab.Hab Medium

14

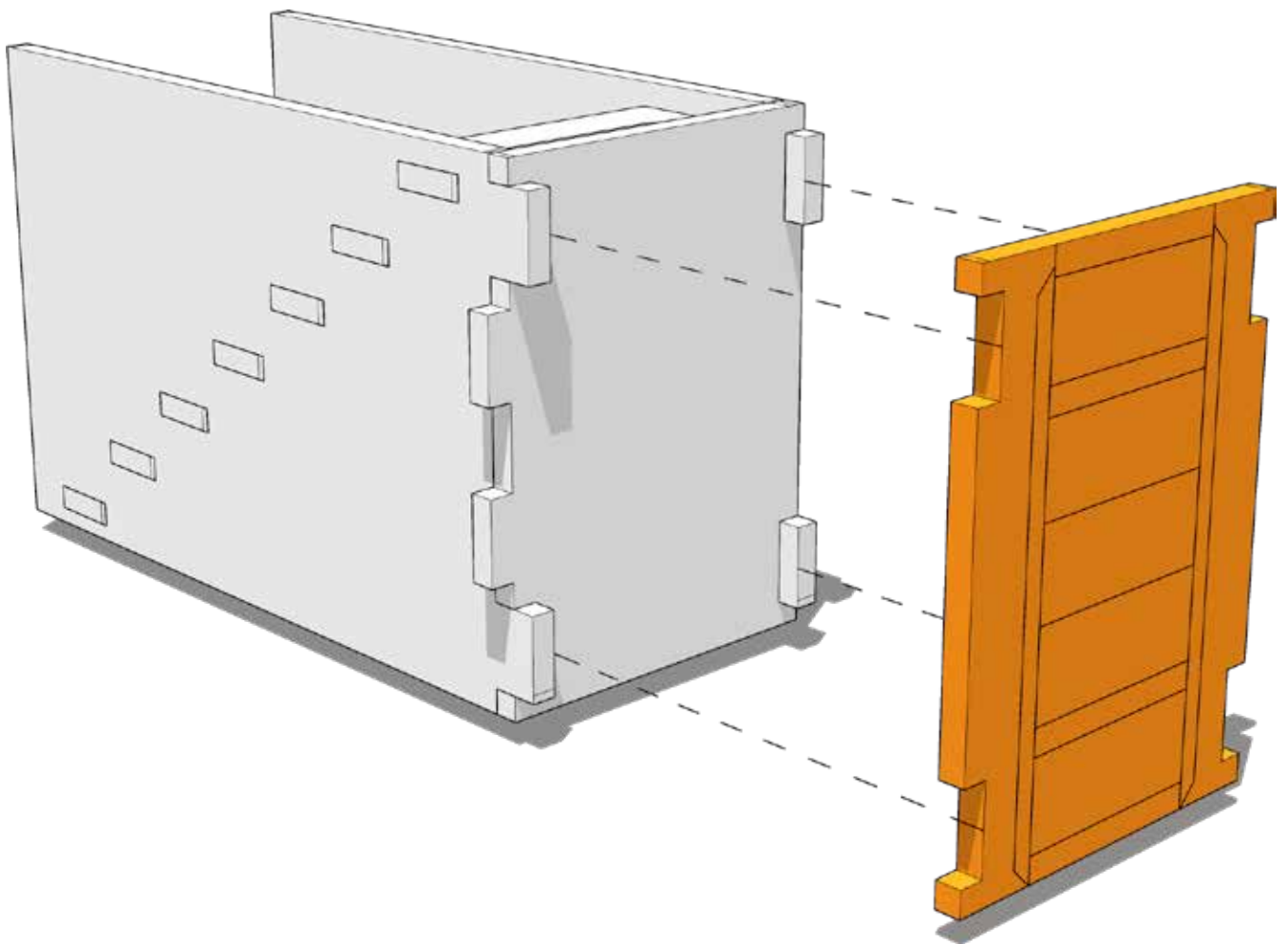




TABLETOP SCENICS

TTSCW-SFU-155
Slab Streets
Slab.Hab Medium

15

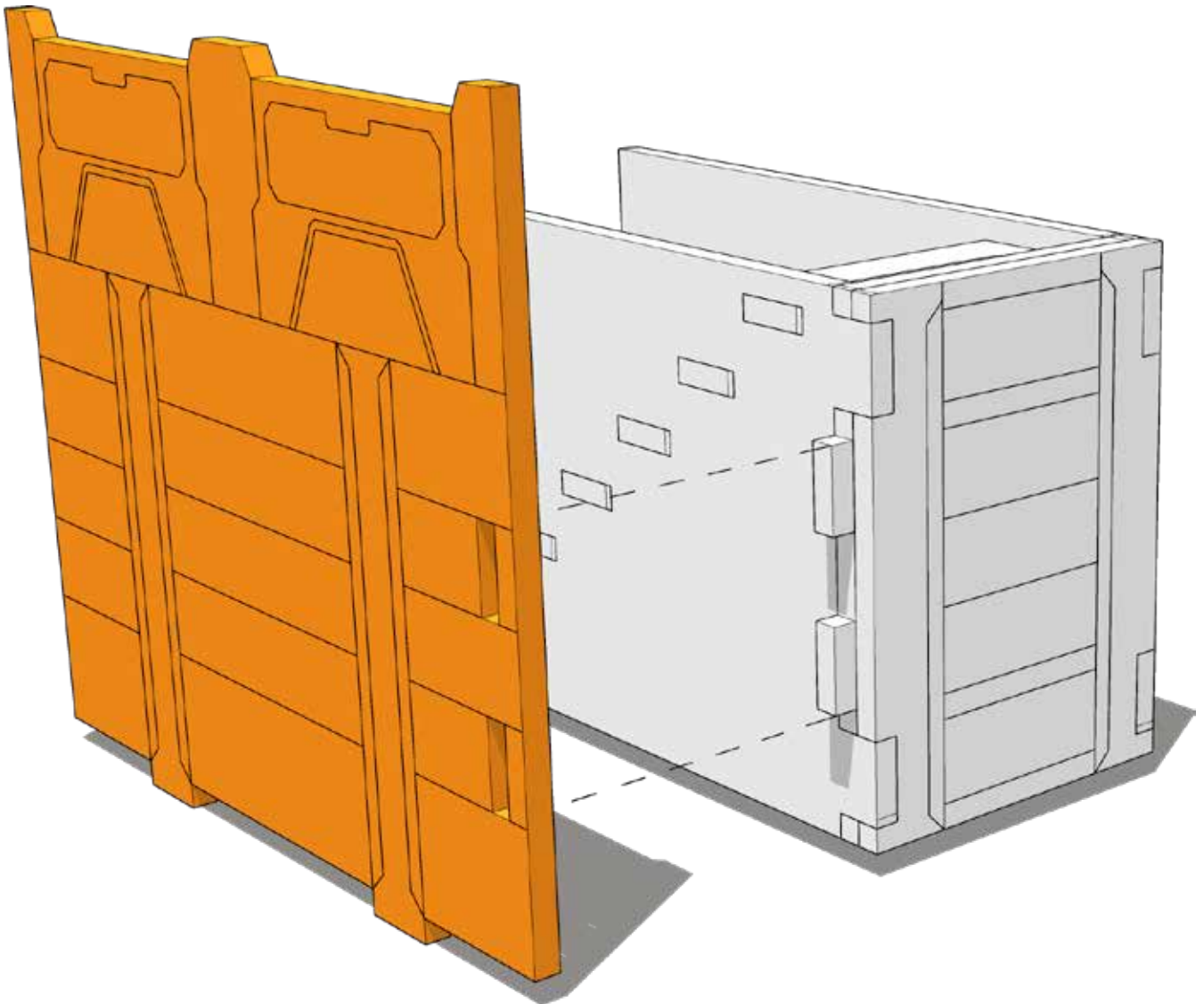




TABLETOP SCENICS

TTSCW-SFU-155
Slab Streets
Slab.Hab Medium

16

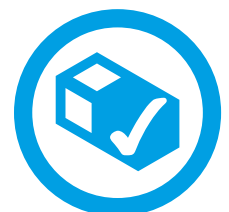
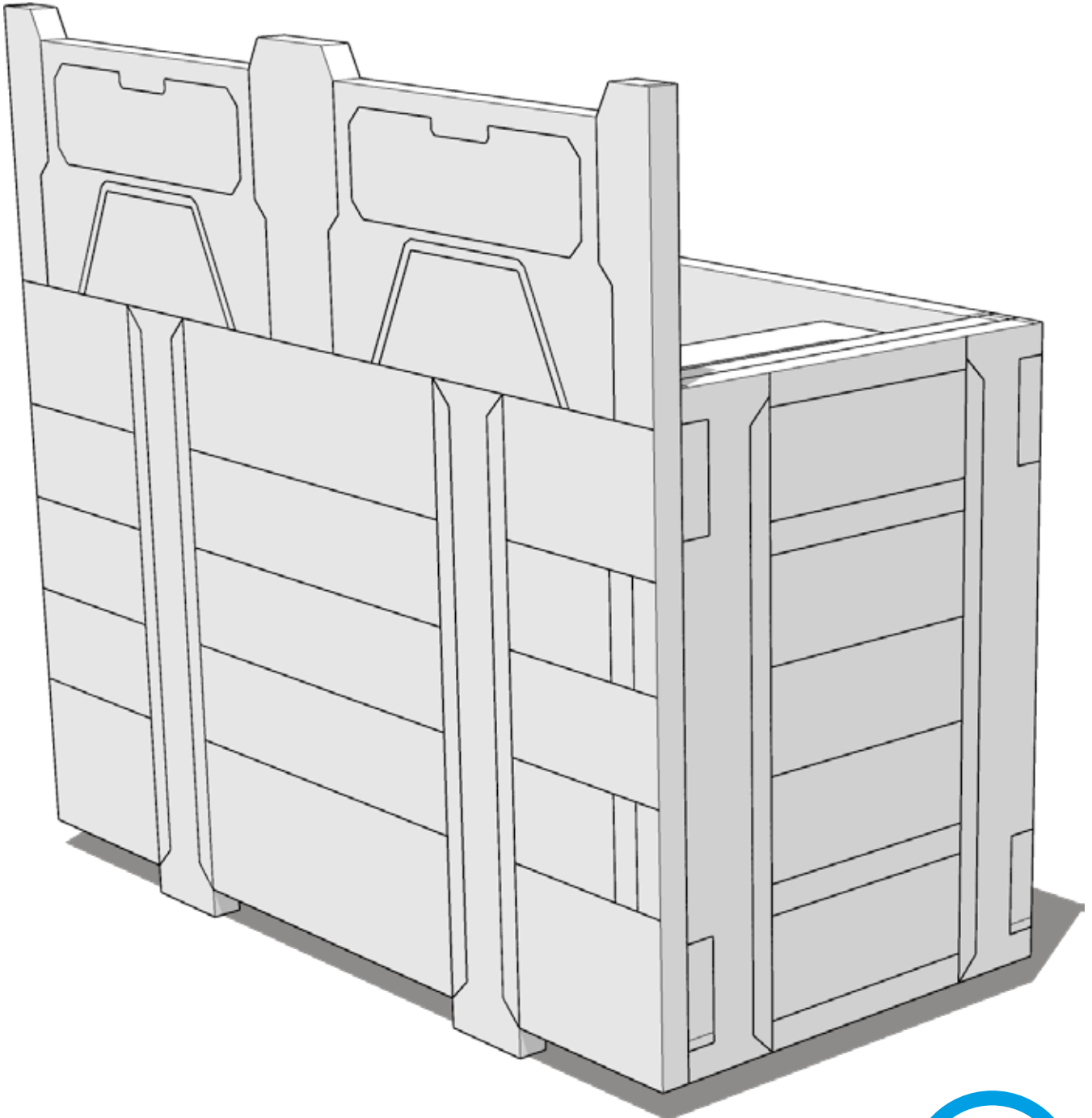




TABLETOP SCENICS

TTSCW-SFU-155
Slab Streets
Slab.Hab Medium

17

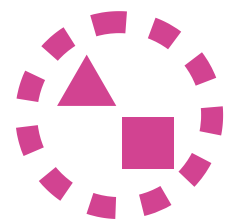


 **TTCOMBAT**



All following steps are optional to glue in place.

It is recommended to NOT glue in place to allow different layout options with the rest of the Slab.Hab Range

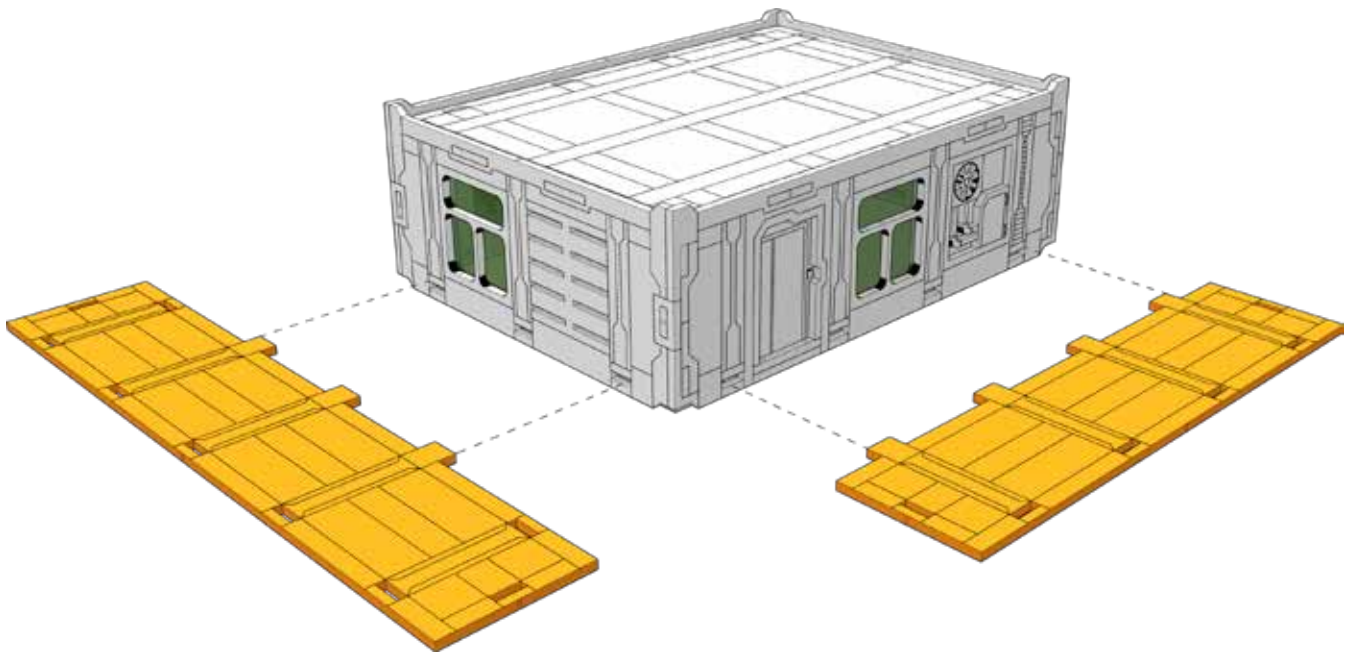




TABLETOP SCENICS

TTSCW-SFU-155
Slab Streets
Slab.Hab Medium

19

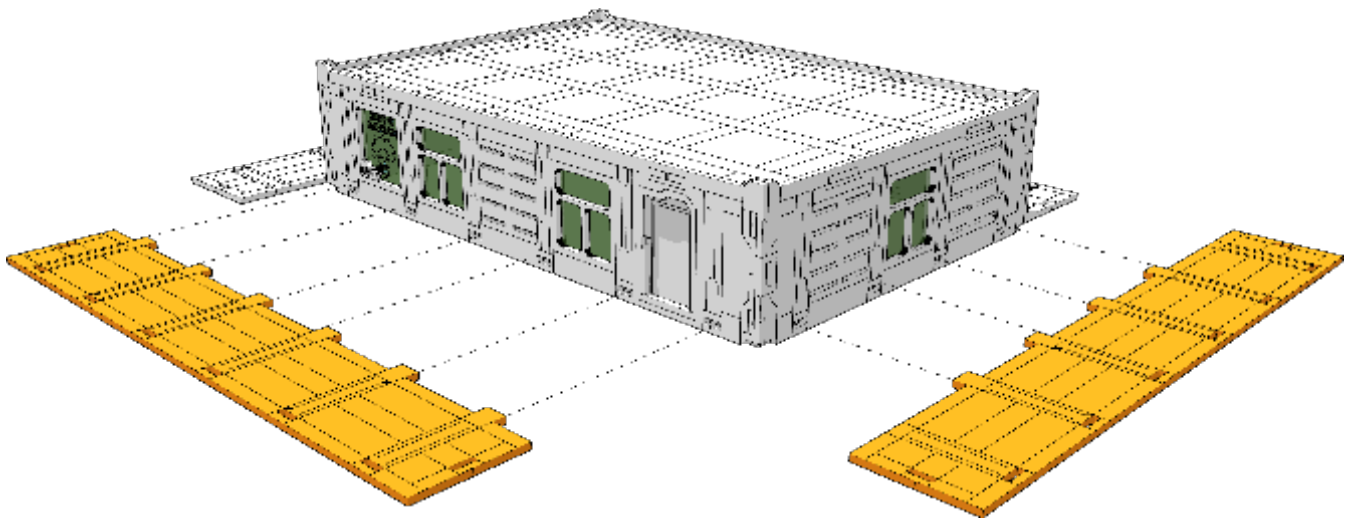




TABLETOP SCENICS

TTSCW-SFU-155
Slab Streets
Slab.Hab Medium

20

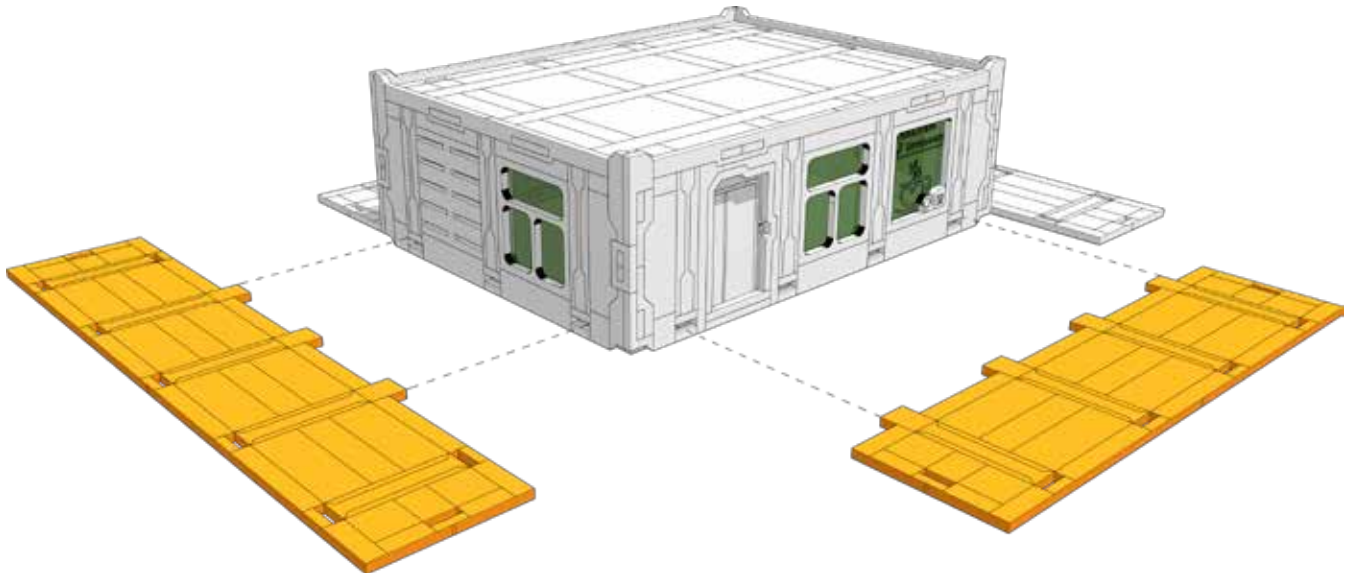




TABLETOP SCENICS

TTSCW-SFU-155
Slab Streets
Slab.Hab Medium

21

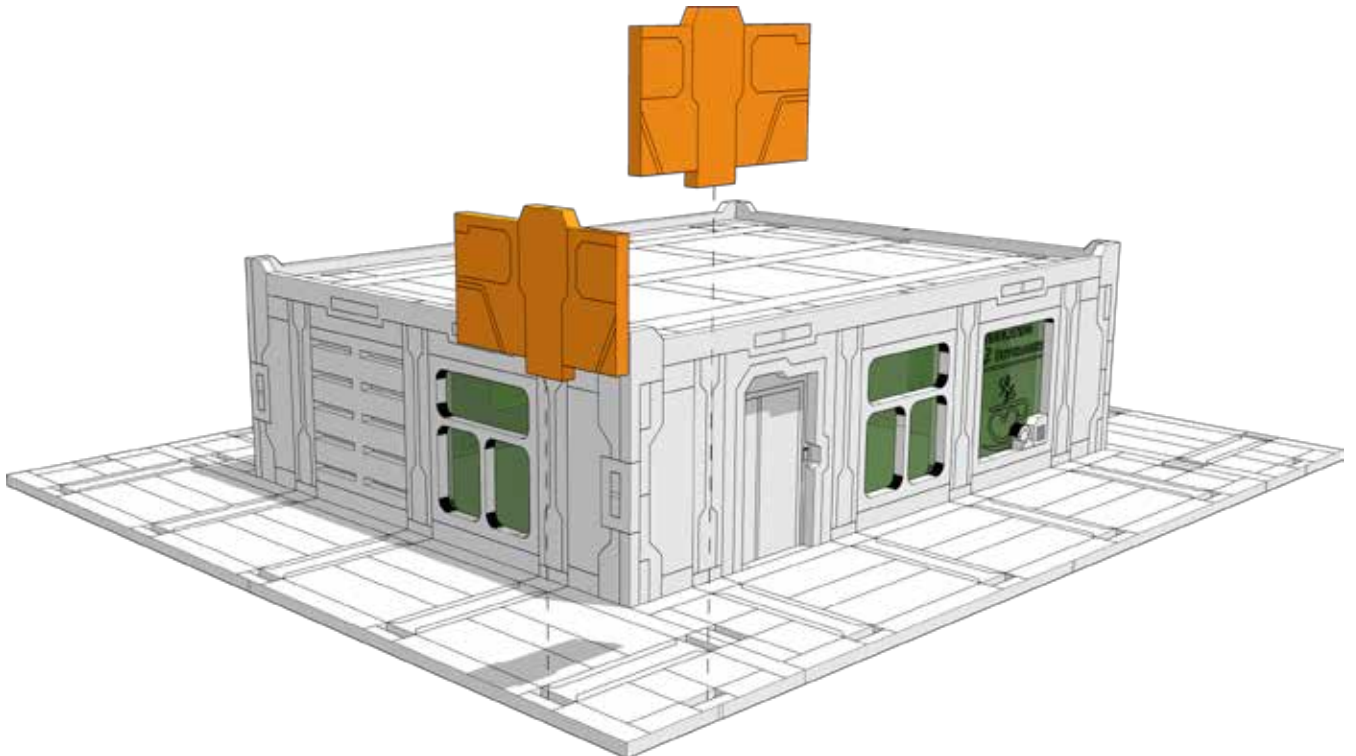




TABLETOP SCENICS

TTSCW-SFU-155
Slab Streets
Slab.Hab Medium

22

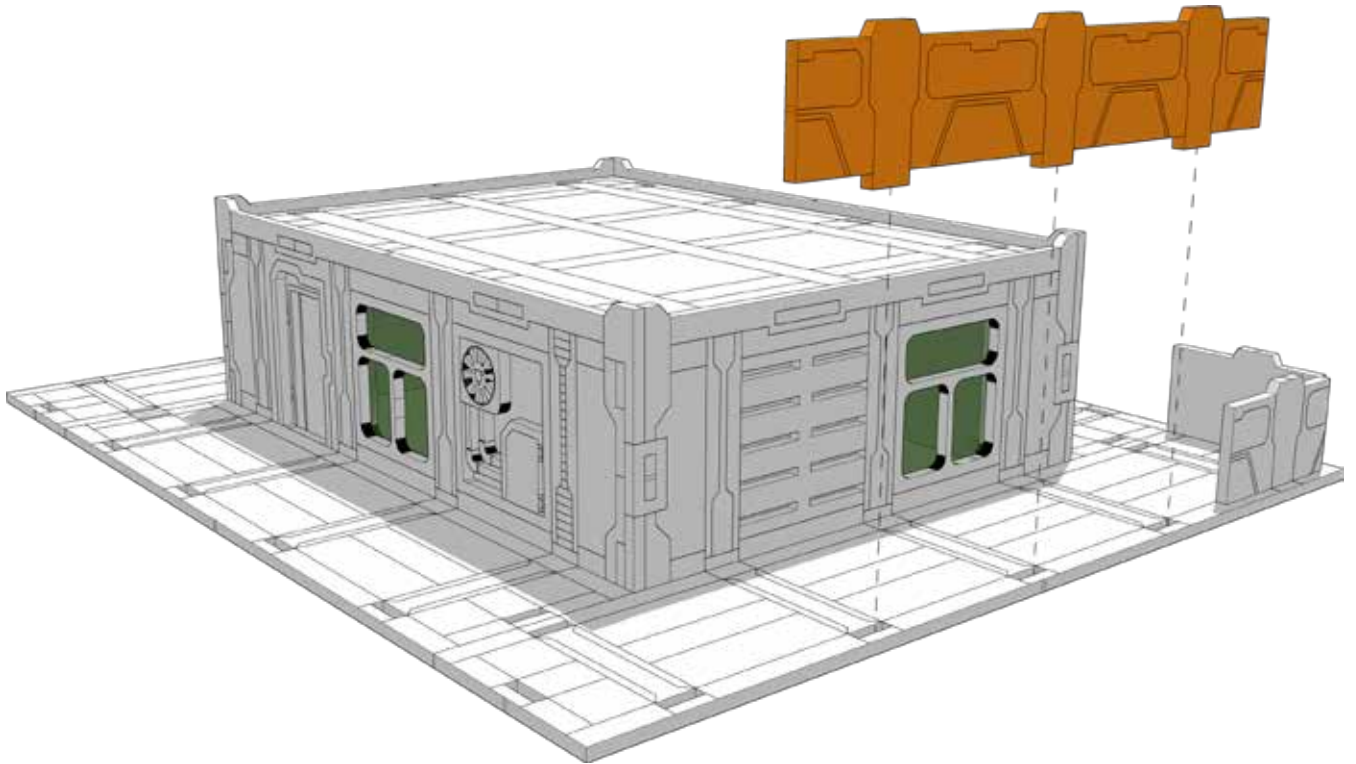




TABLETOP SCENICS

TTSCW-SFU-155
Slab Streets
Slab.Hab Medium

23

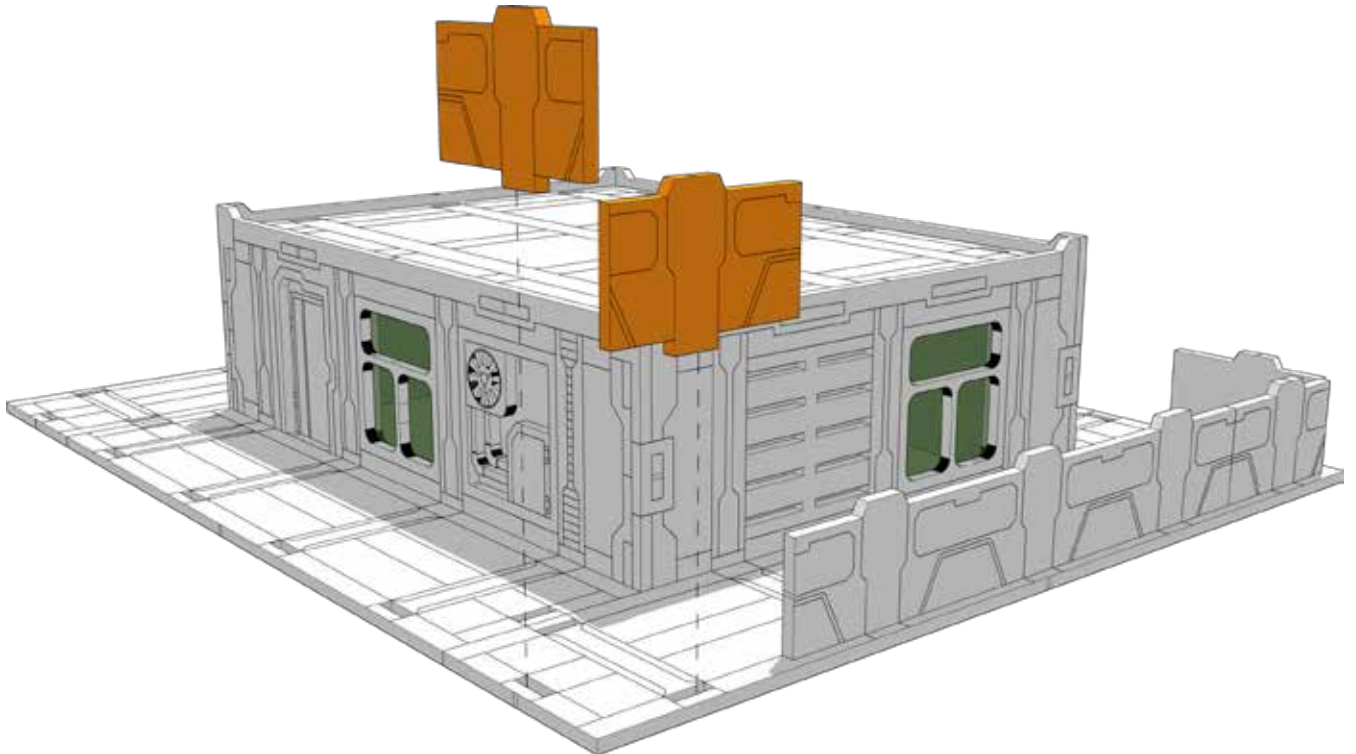




TABLETOP SCENICS

TTSCW-SFU-155
Slab Streets
Slab.Hab Medium

24

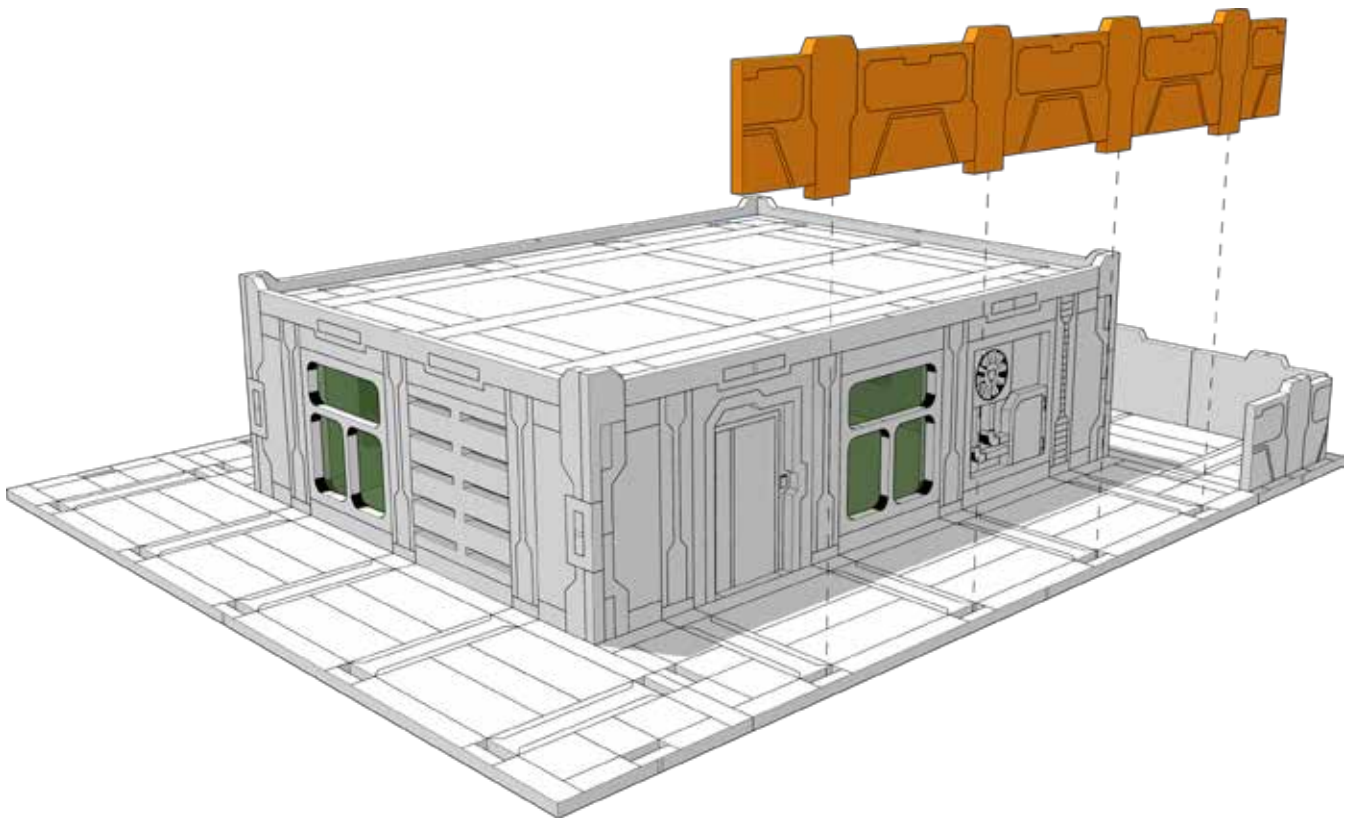




TABLETOP SCENICS

TTSCW-SFU-155
Slab Streets
Slab.Hab Medium

25

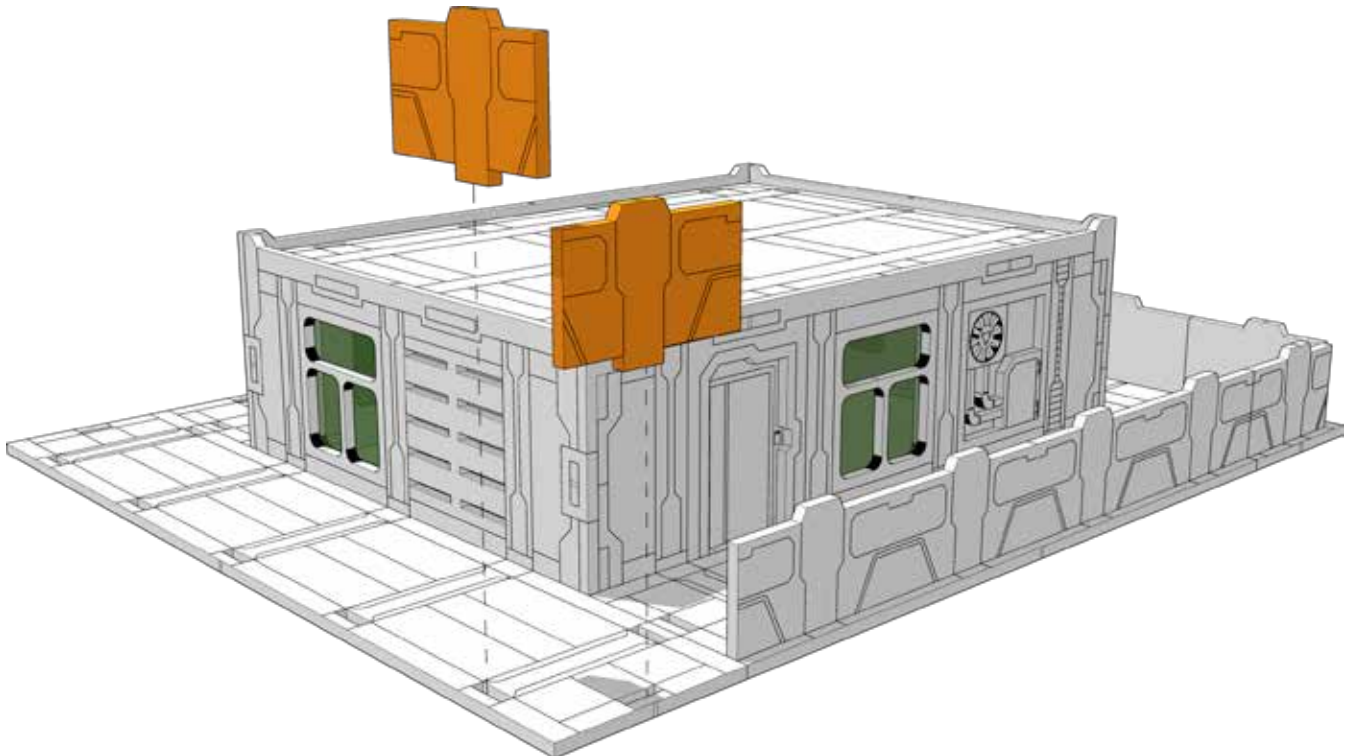




TABLETOP SCENICS

TTSCW-SFU-155
Slab Streets
Slab.Hab Medium

26

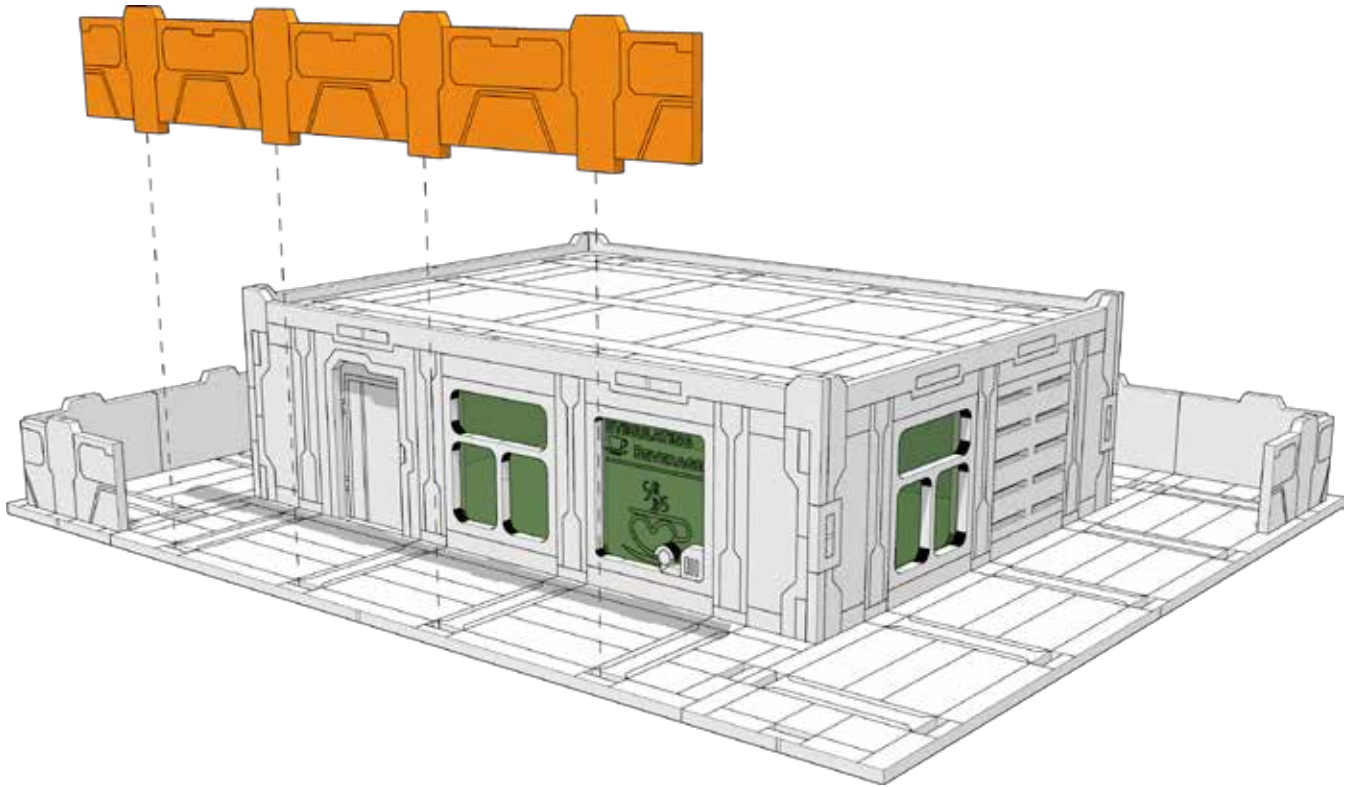




TABLETOP SCENICS

TTSCW-SFU-155
Slab Streets
Slab.Hab Medium

27

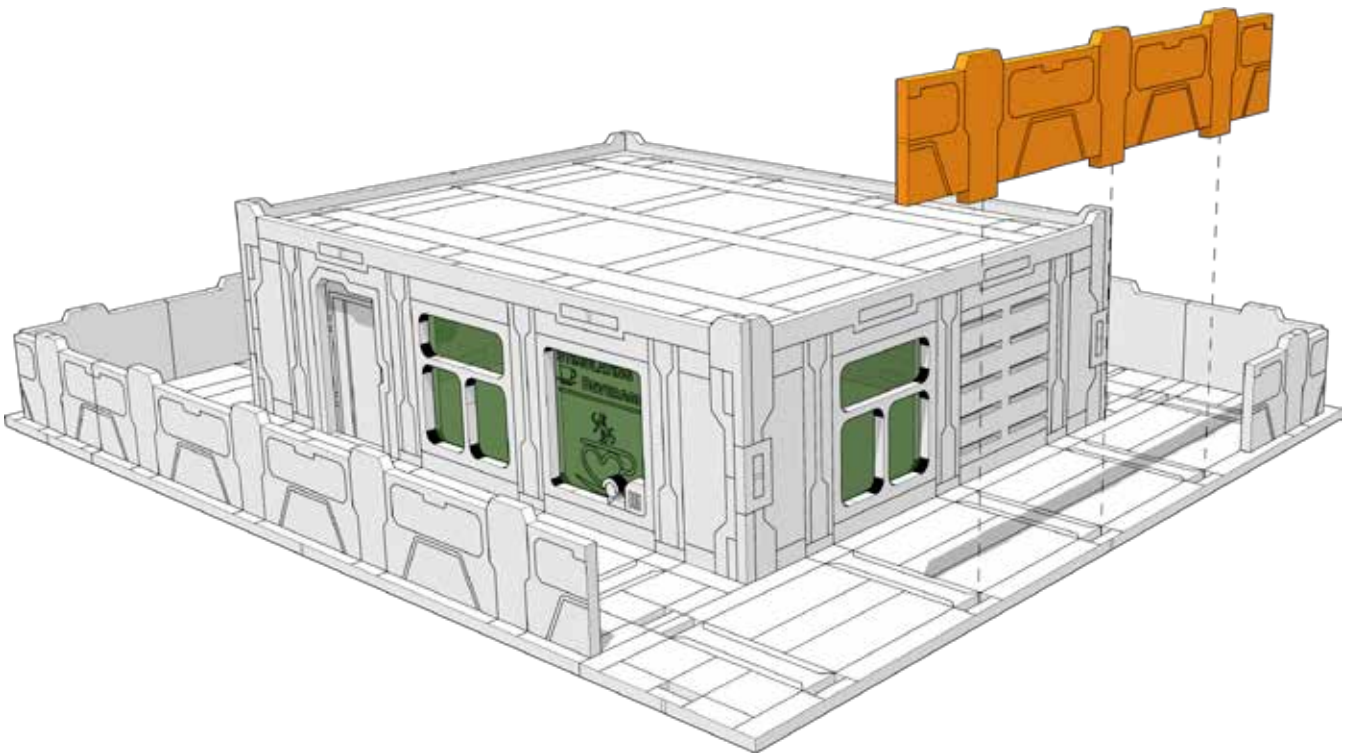




TABLETOP SCENICS

TTSCW-SFU-155
Slab Streets
Slab.Hab Medium

28

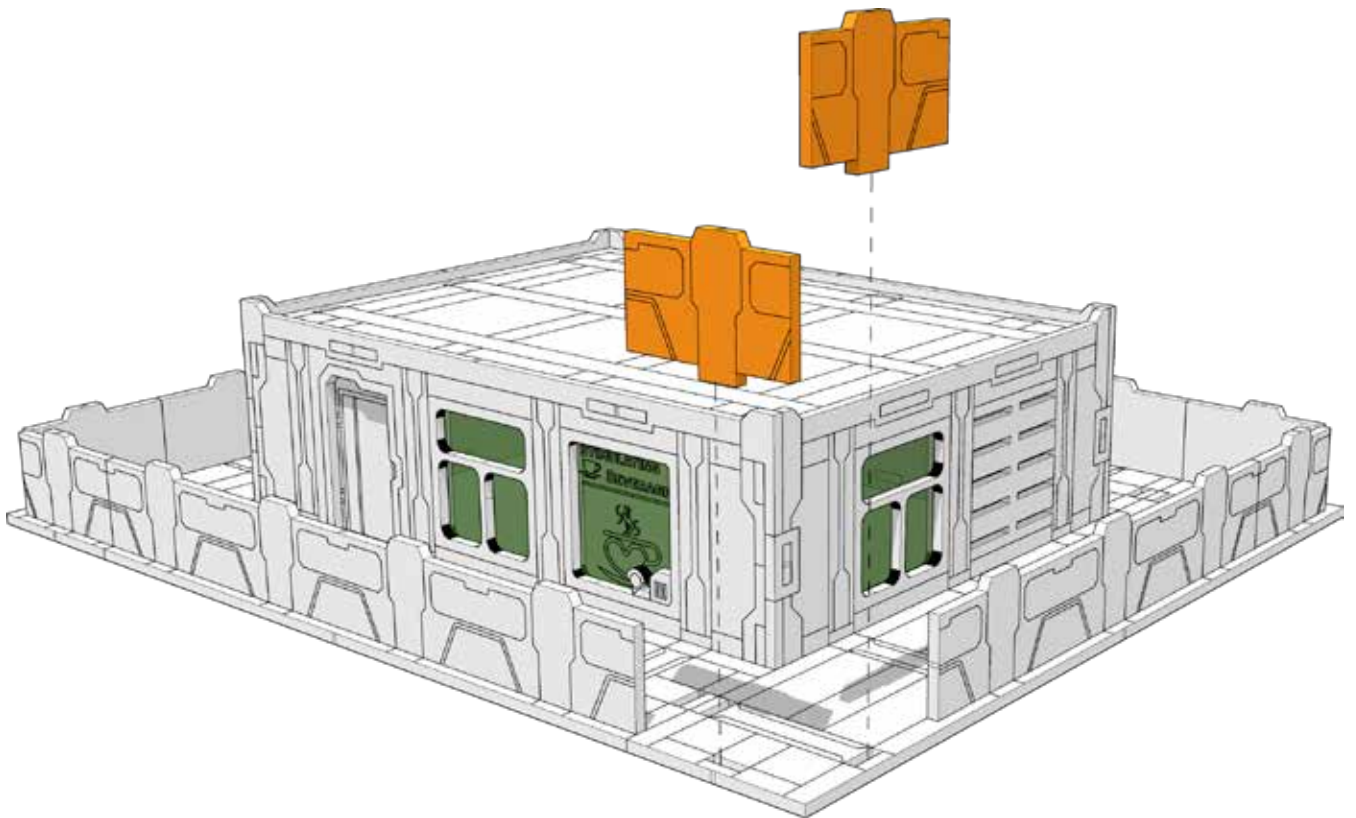




TABLETOP SCENICS

TTSCW-SFU-155
Slab Streets
Slab.Hab Medium

29

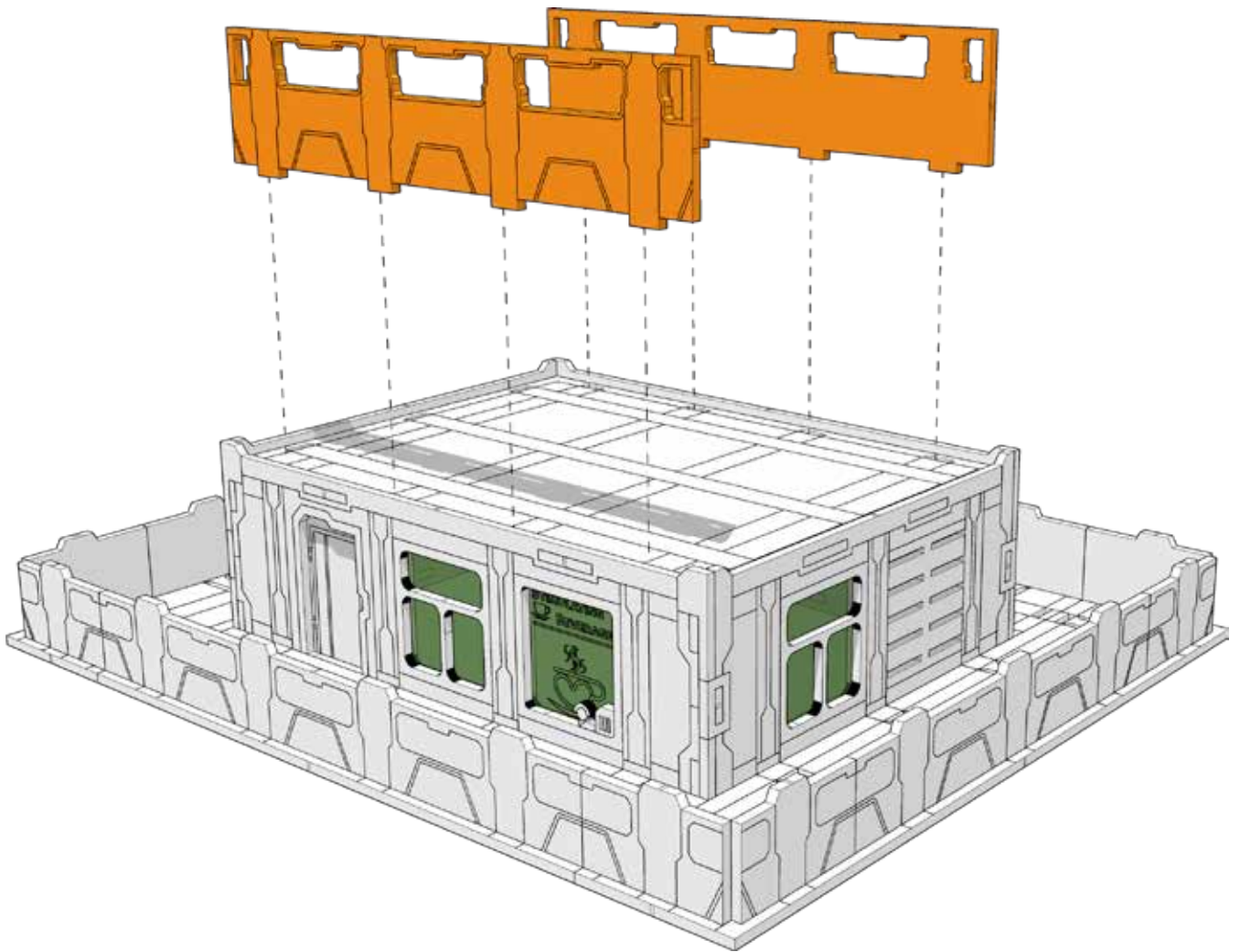




TABLETOP SCENICS

TTSCW-SFU-155
Slab Streets
Slab.Hab Medium

30

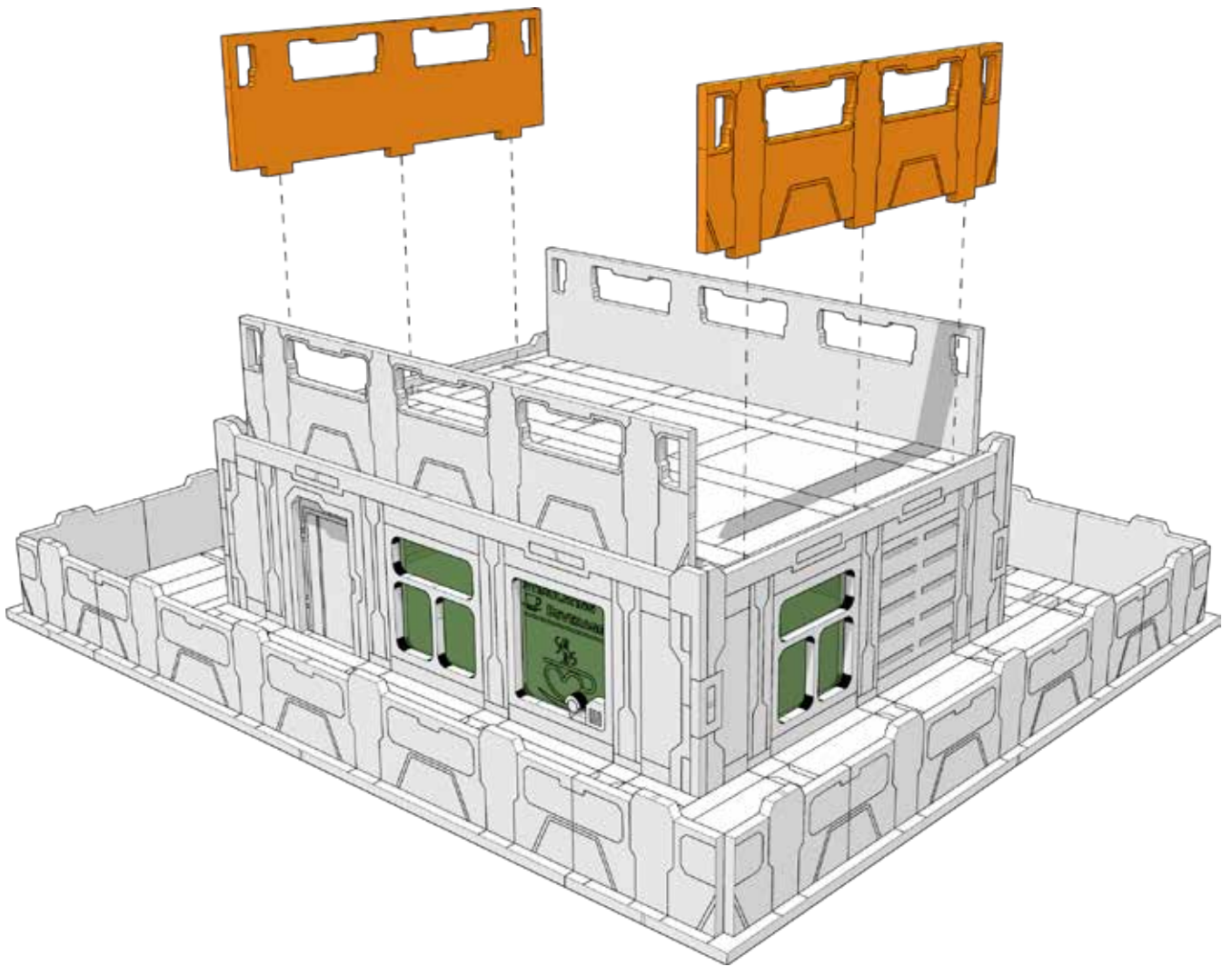




TABLETOP SCENICS

TTSCW-SFU-155
Slab Streets
Slab.Hab Medium

31

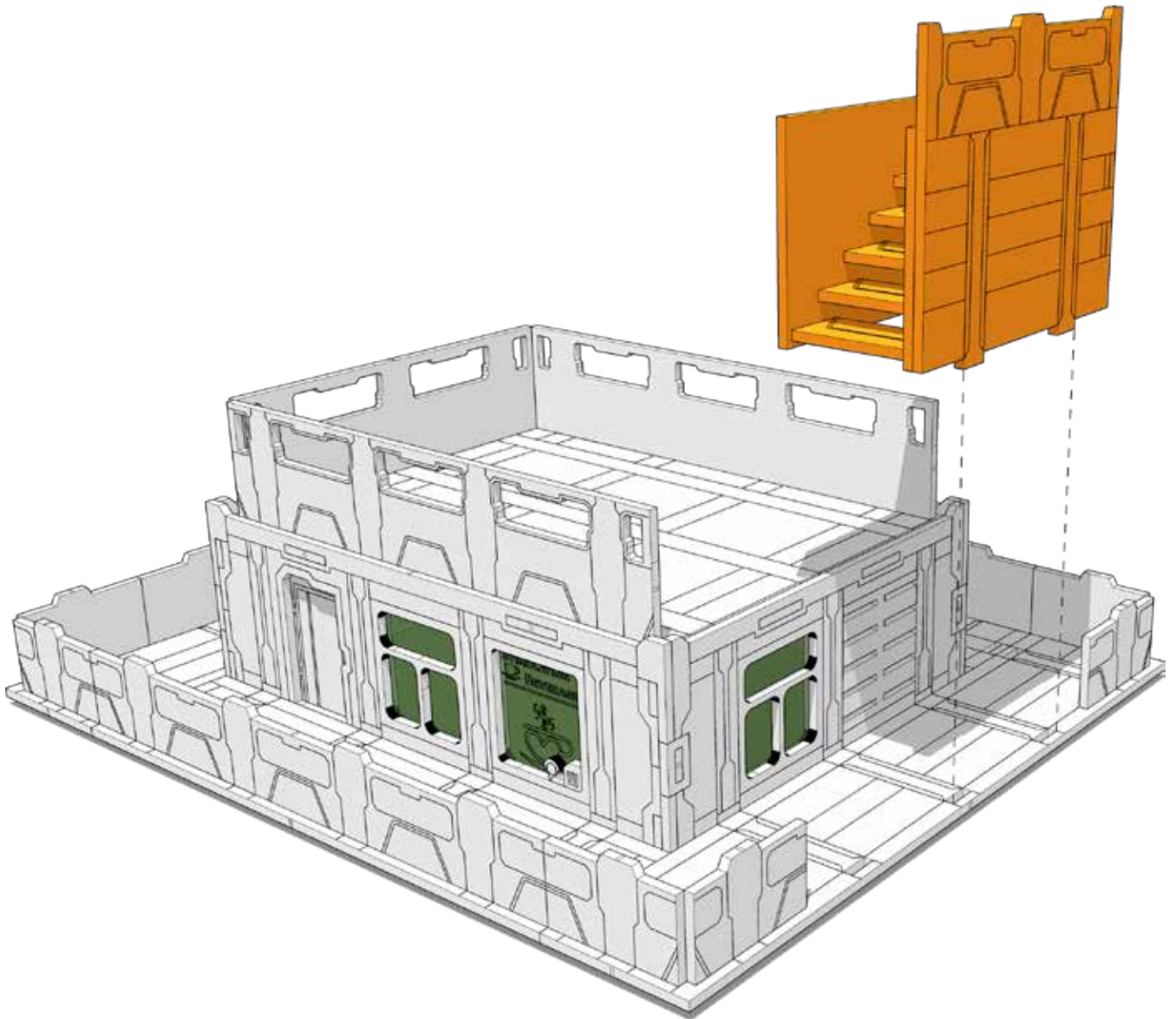




TABLETOP SCENICS

TTSCW-SFU-155
Slab Streets
Slab.Hab Medium

32



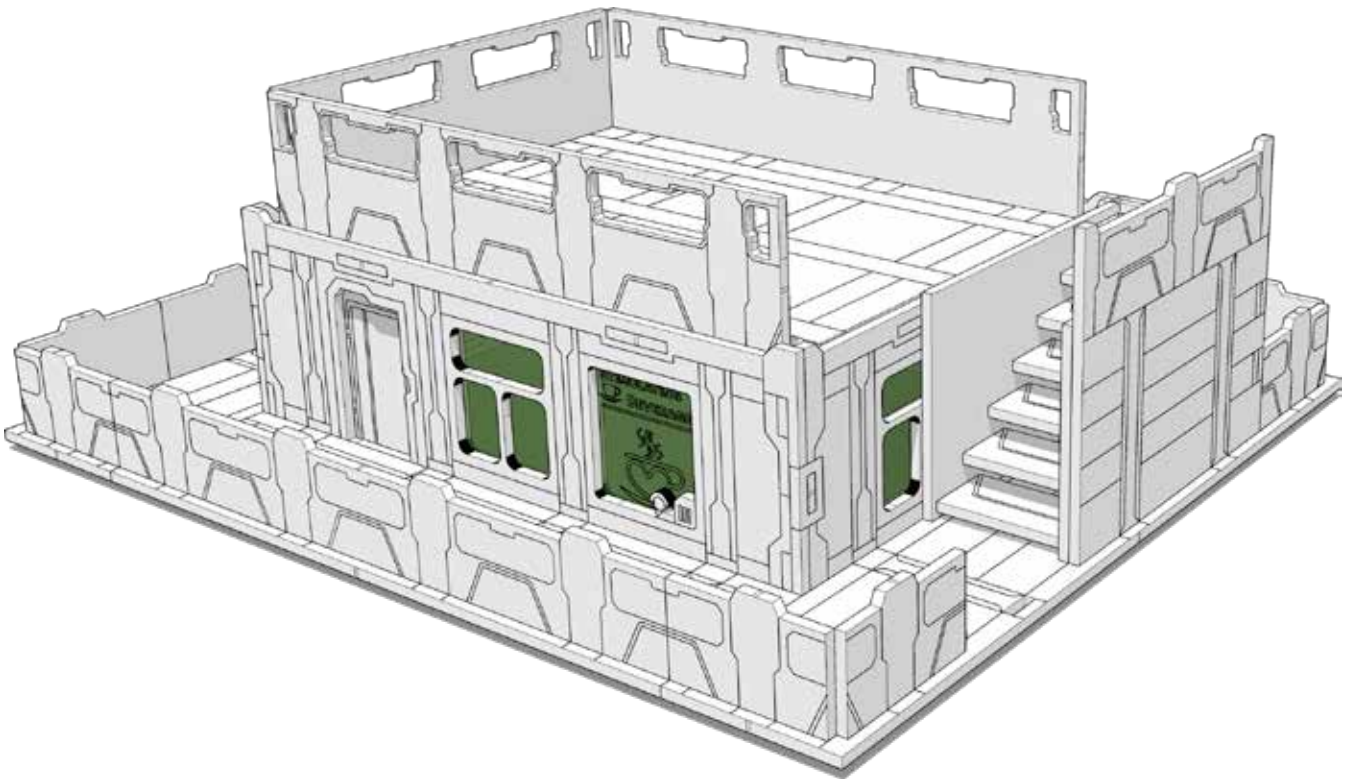
Stairs replace fences to slot into place



TABLETOP SCENICS

TTSCW-SFU-155
Slab Streets
Slab.Hab Medium

33



Stairs replace fences to slot into place

