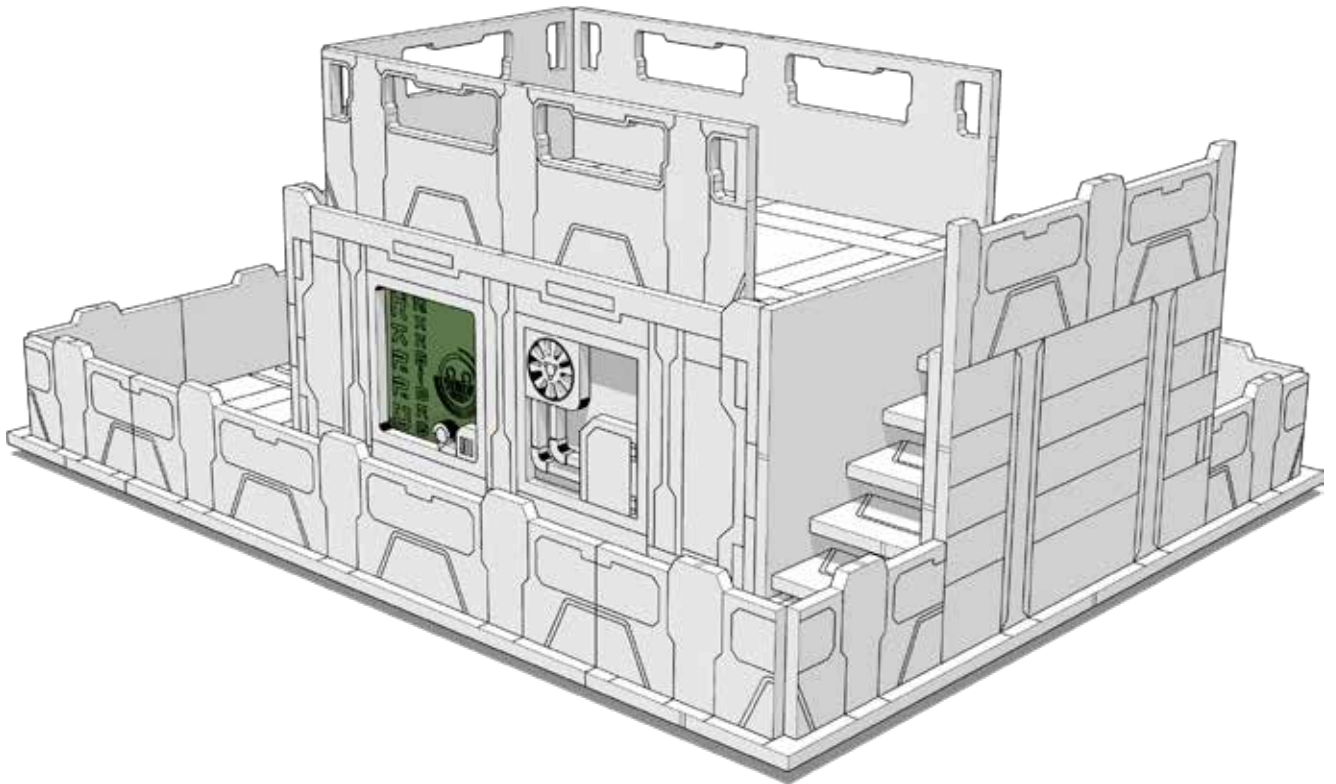




TABLETOP SCENICS

TTSCW-SFU-154
Slab Streets
Slab.Hab Small



 **TTCOMBAT**



TABLETOP SCENICS

TTSCW-SFU-154
Slab Streets
Slab.Hab Small

2

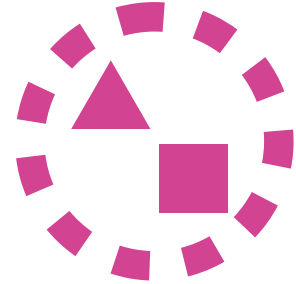
These are a series of icons that may be used throughout the instructions to help your assembly.
If in doubt, scroll ahead to confirm.



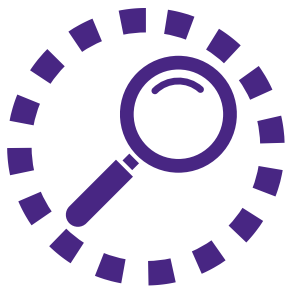
Do not glue this part



Carefully score and
fold this part



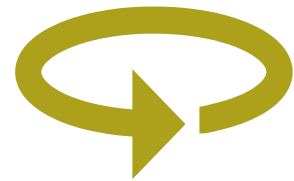
This part - or its placement is
completely optional



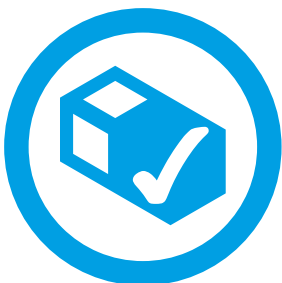
Look closely at this step -
The process order or part
used, may be specific



Repeat making this part
the specified number
of times



The next instruction step
will be the same assembly
so far, but from a different
angle



Sub-assembly complete.
This smaller construction
is ready to add to the
main kit



Assembly Complete! There
could be more optional
parts - check to the very end
of instructions



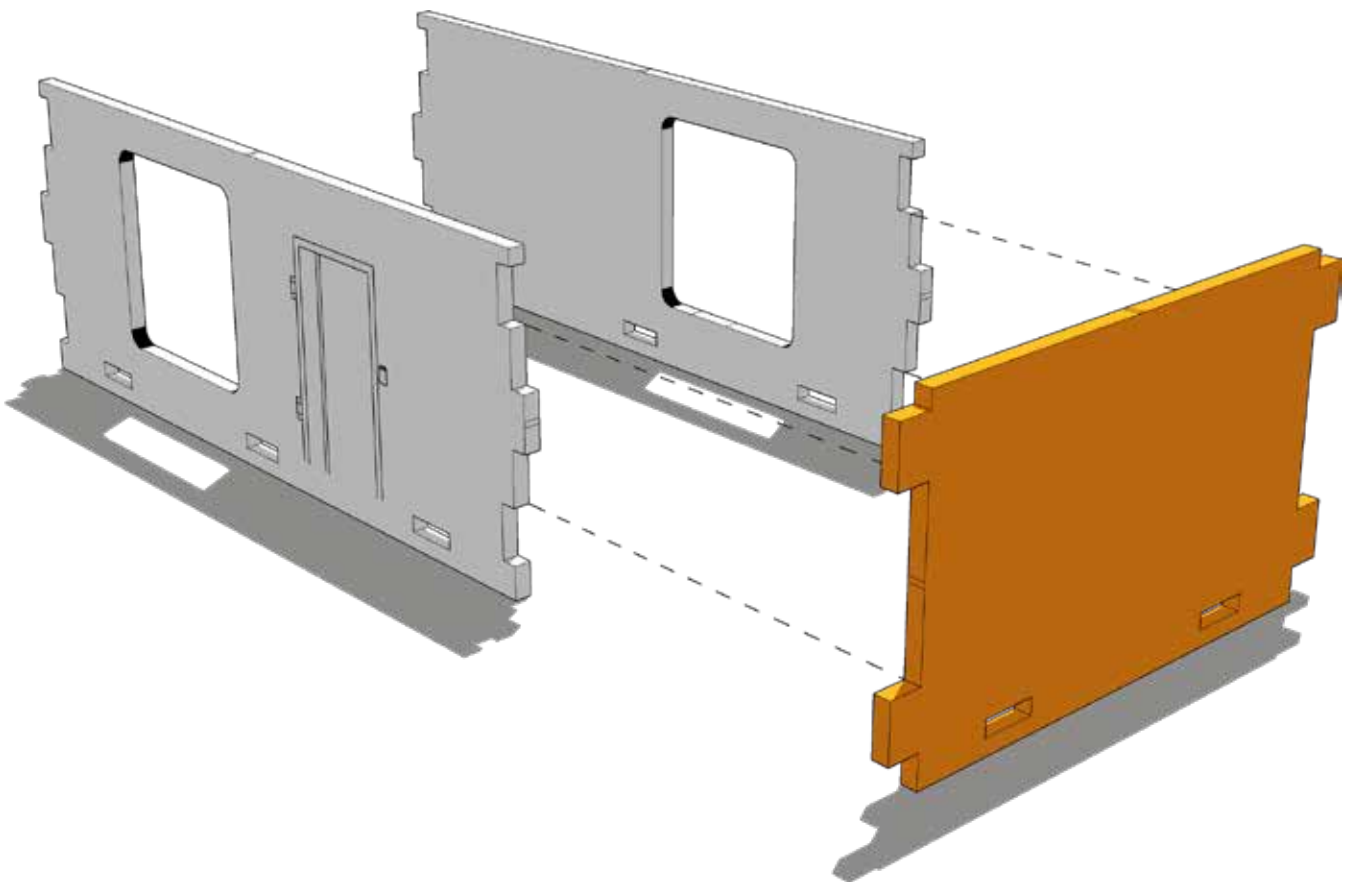
FRAGILE: DO NOT BEND.
“Bendy wood” is designed to
curve around a designed
frame only.



TABLETOP SCENICS

TTSCW-SFU-154
Slab Streets
Slab.Hab Small

3

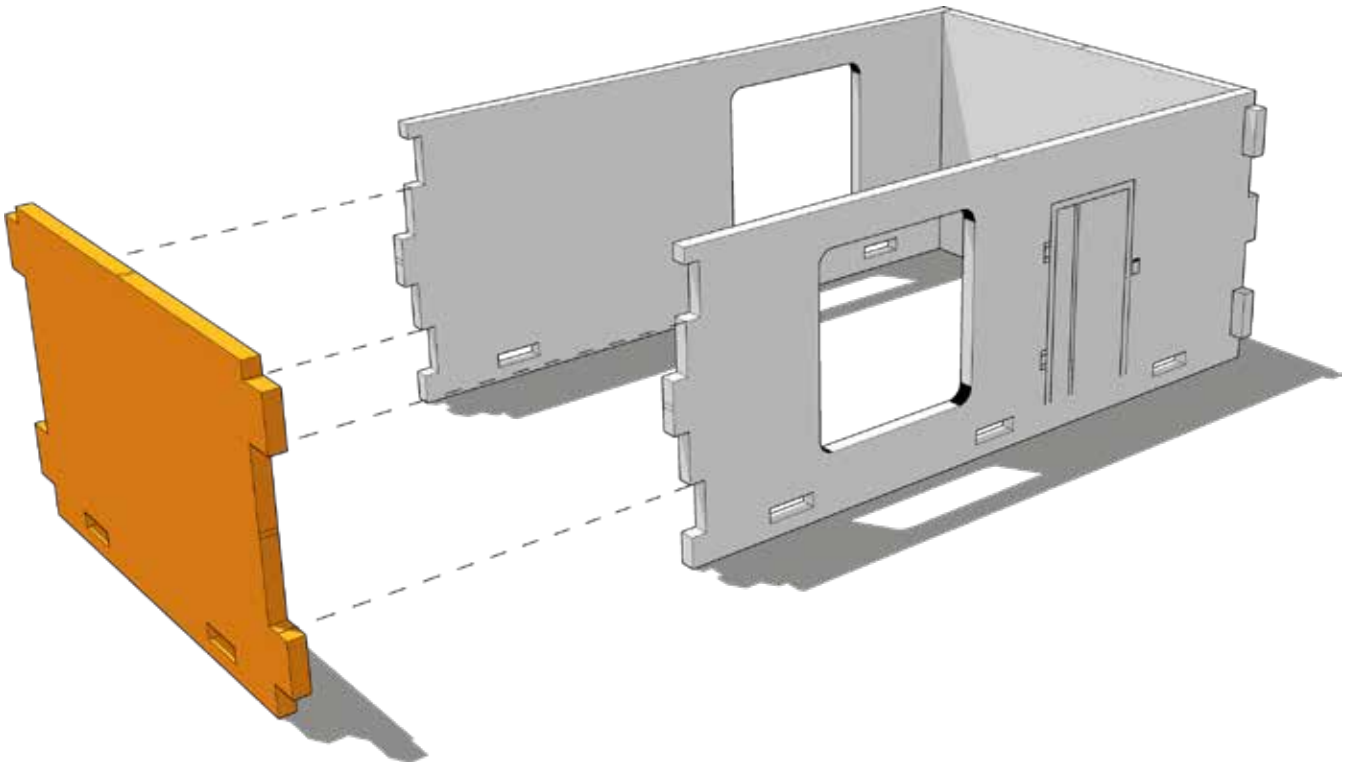




TABLETOP SCENICS

TTSCW-SFU-154
Slab Streets
Slab.Hab Small

4

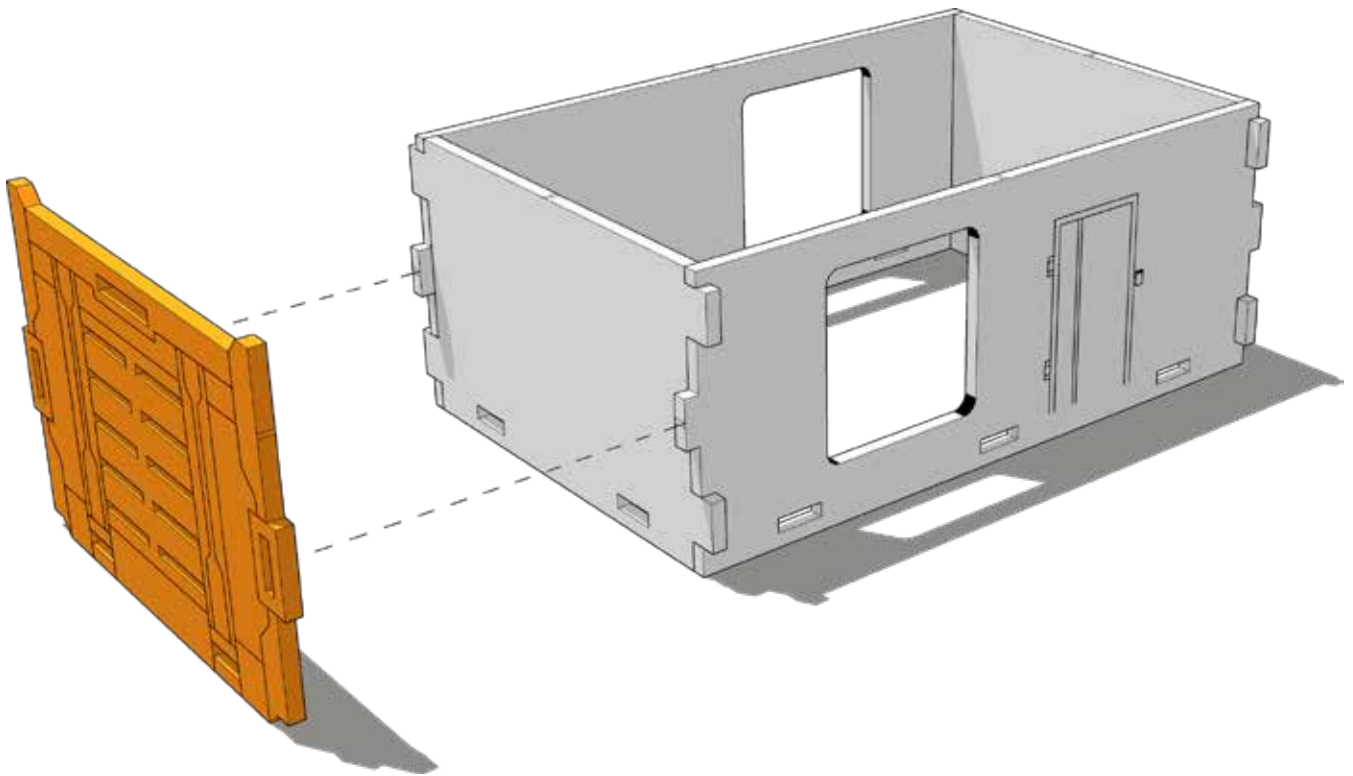




TABLETOP SCENICS

TTSCW-SFU-154
Slab Streets
Slab.Hab Small

5

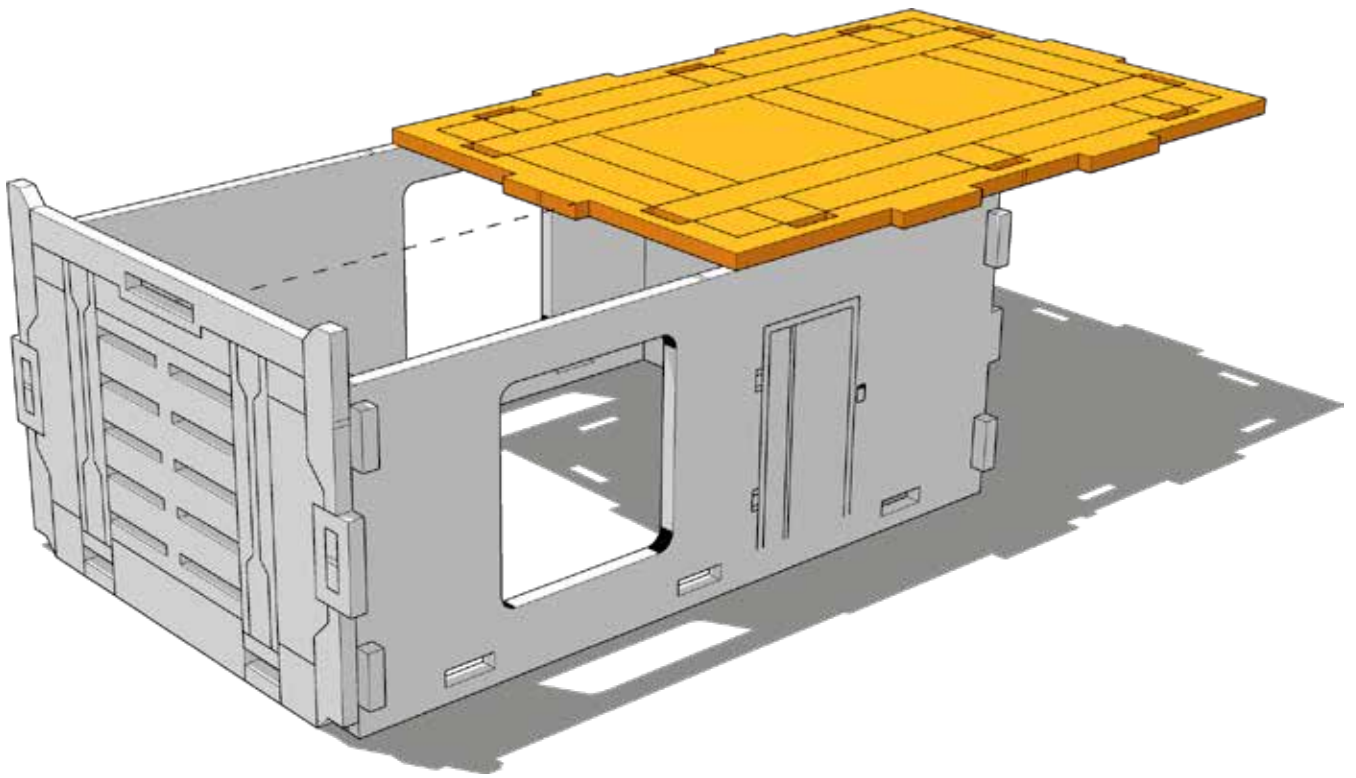




TABLETOP SCENICS

TTSCW-SFU-154
Slab Streets
Slab.Hab Small

6

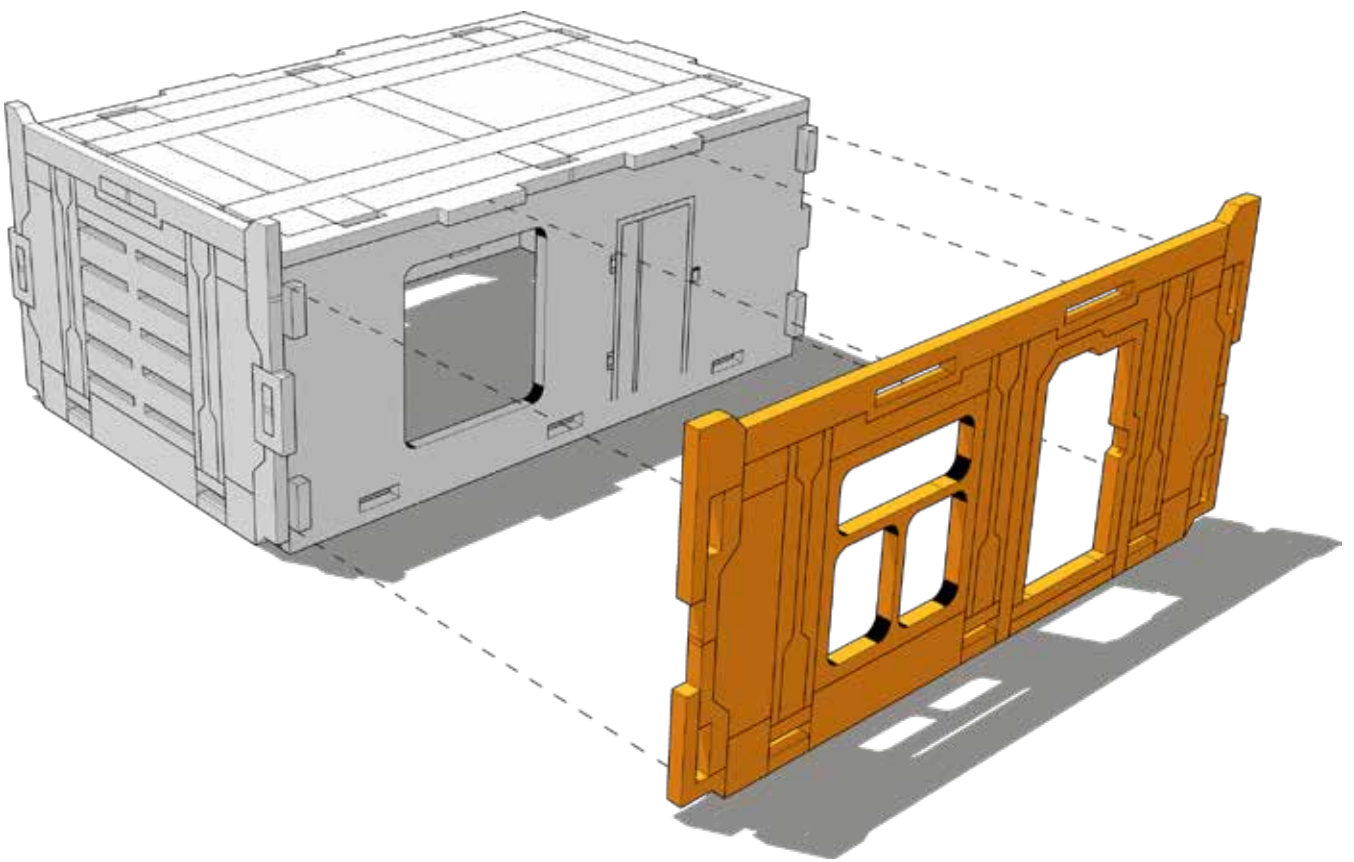




TABLETOP SCENICS

TTSCW-SFU-154
Slab Streets
Slab.Hab Small

7

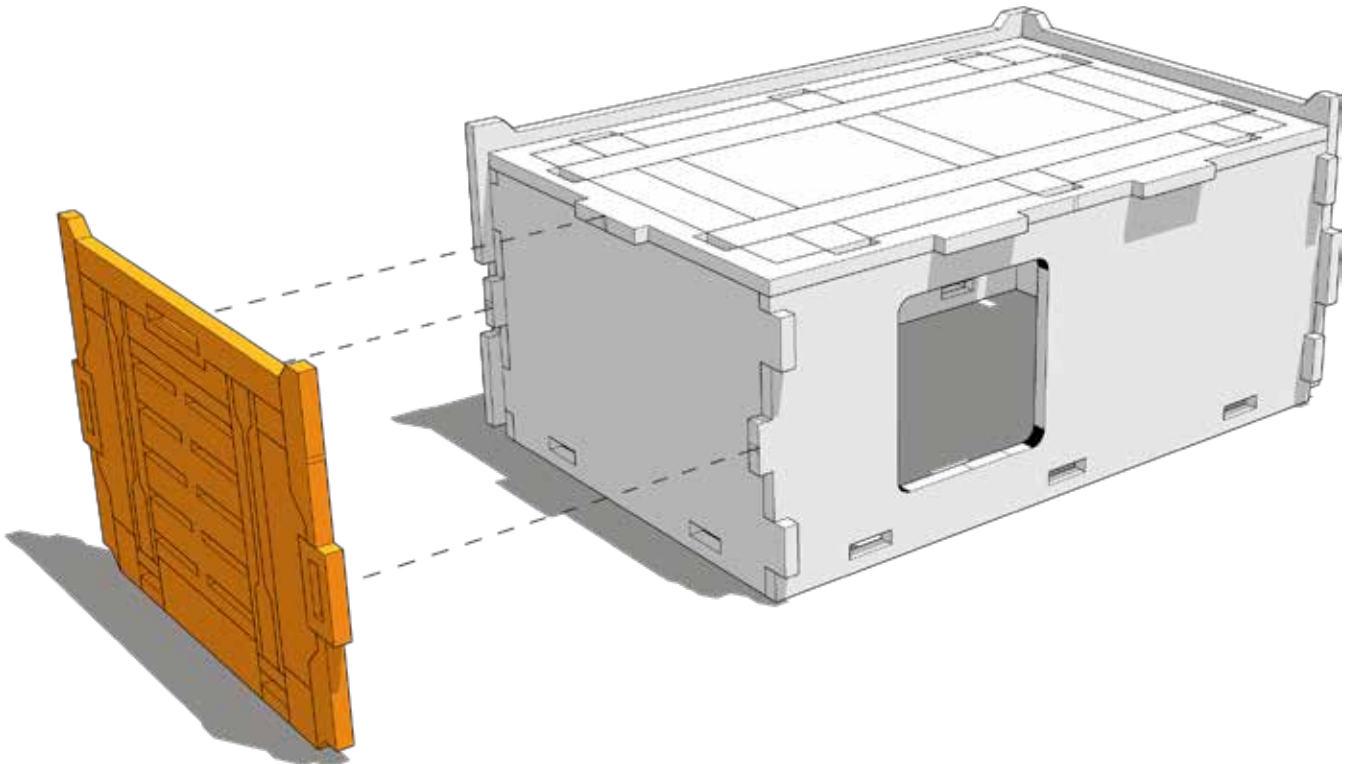




TABLETOP SCENICS

TTSCW-SFU-154
Slab Streets
Slab.Hab Small

8

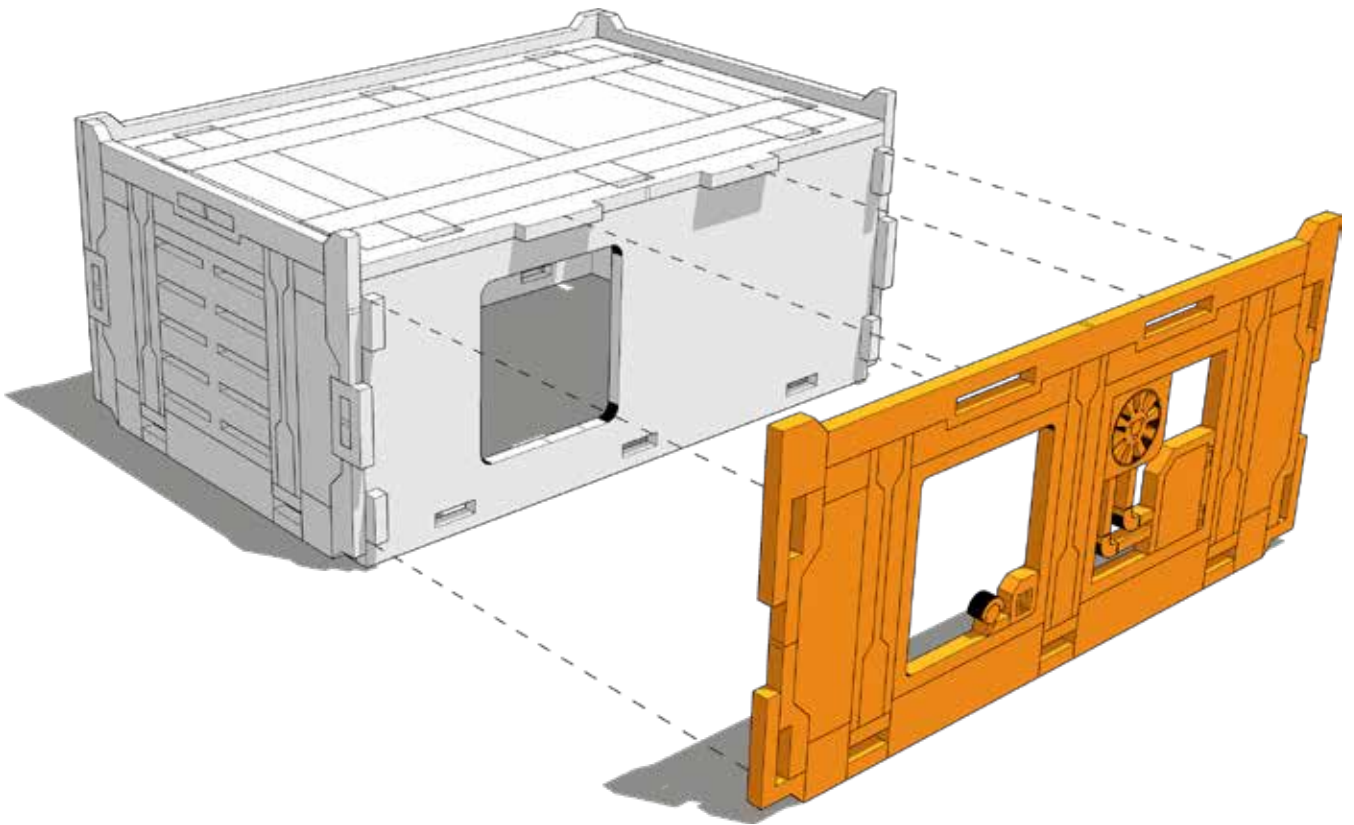




TABLETOP SCENICS

TTSCW-SFU-154
Slab Streets
Slab.Hab Small

9

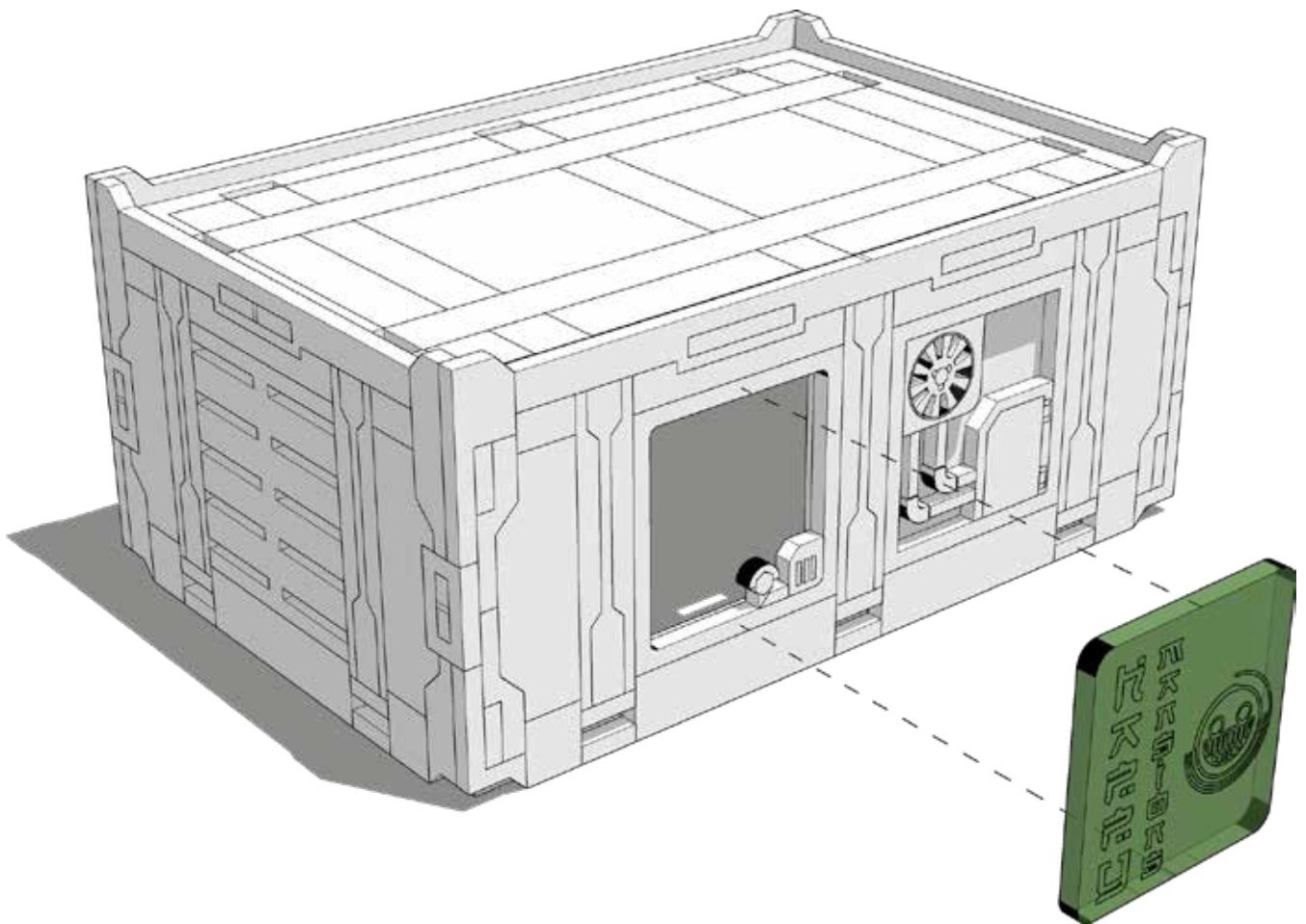




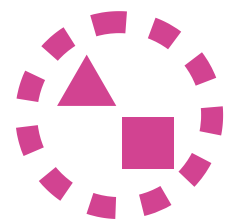
TABLETOP SCENICS

10

TTSCW-SFU-154
Slab Streets
Slab.Hab Small



Recommended to test fit first. Insert windows from the inside.
Detailed windows are optional and fit on the end where there is no
centre frame



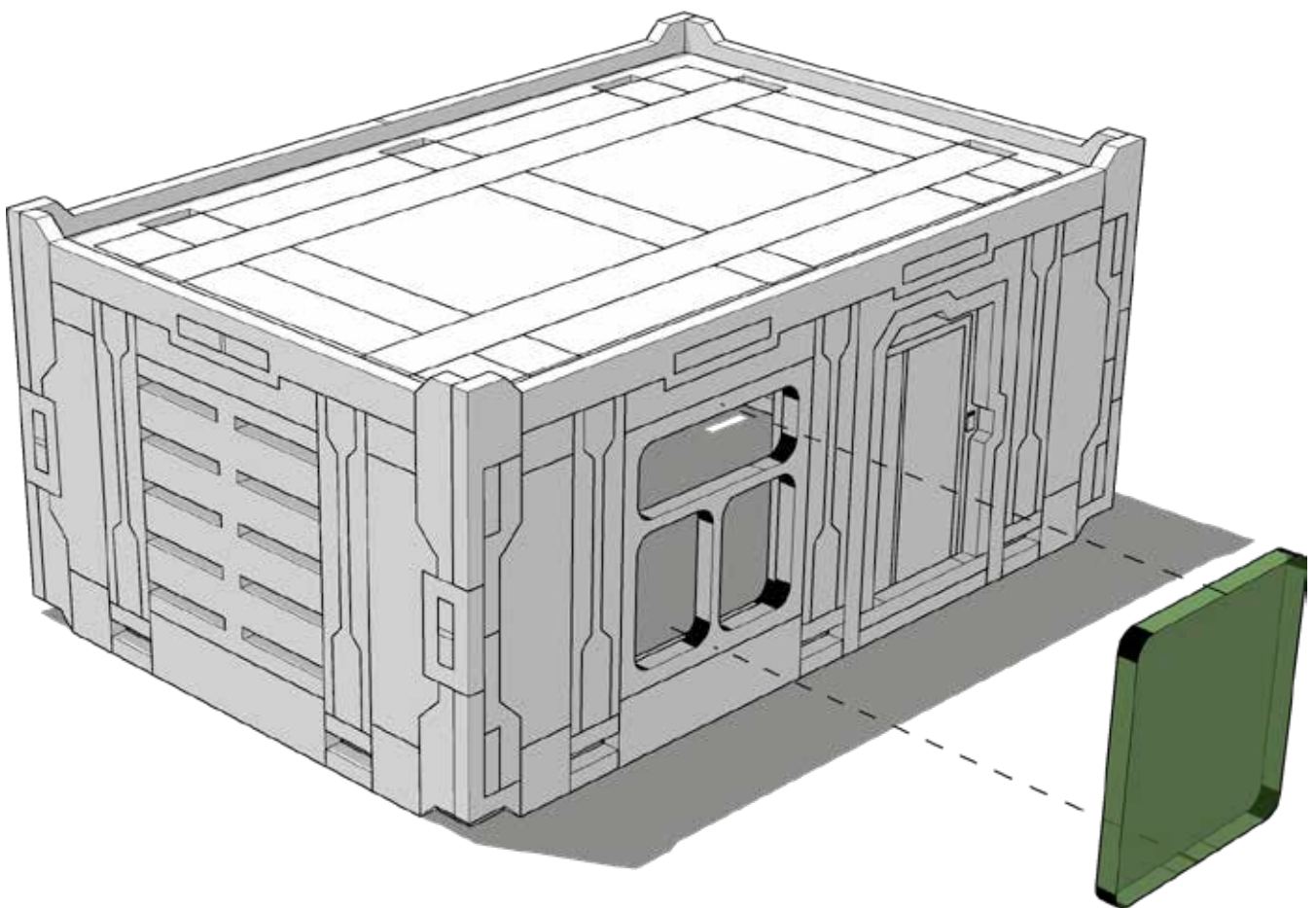
 **TTCOMBAT**



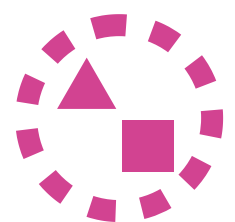
TABLETOP SCENICS

TTSCW-SFU-154
Slab Streets
Slab.Hab Small

11



Recommended to test fit first. Insert windows from the inside.
Detailed windows are optional and fit on the end where there is no
centre frame



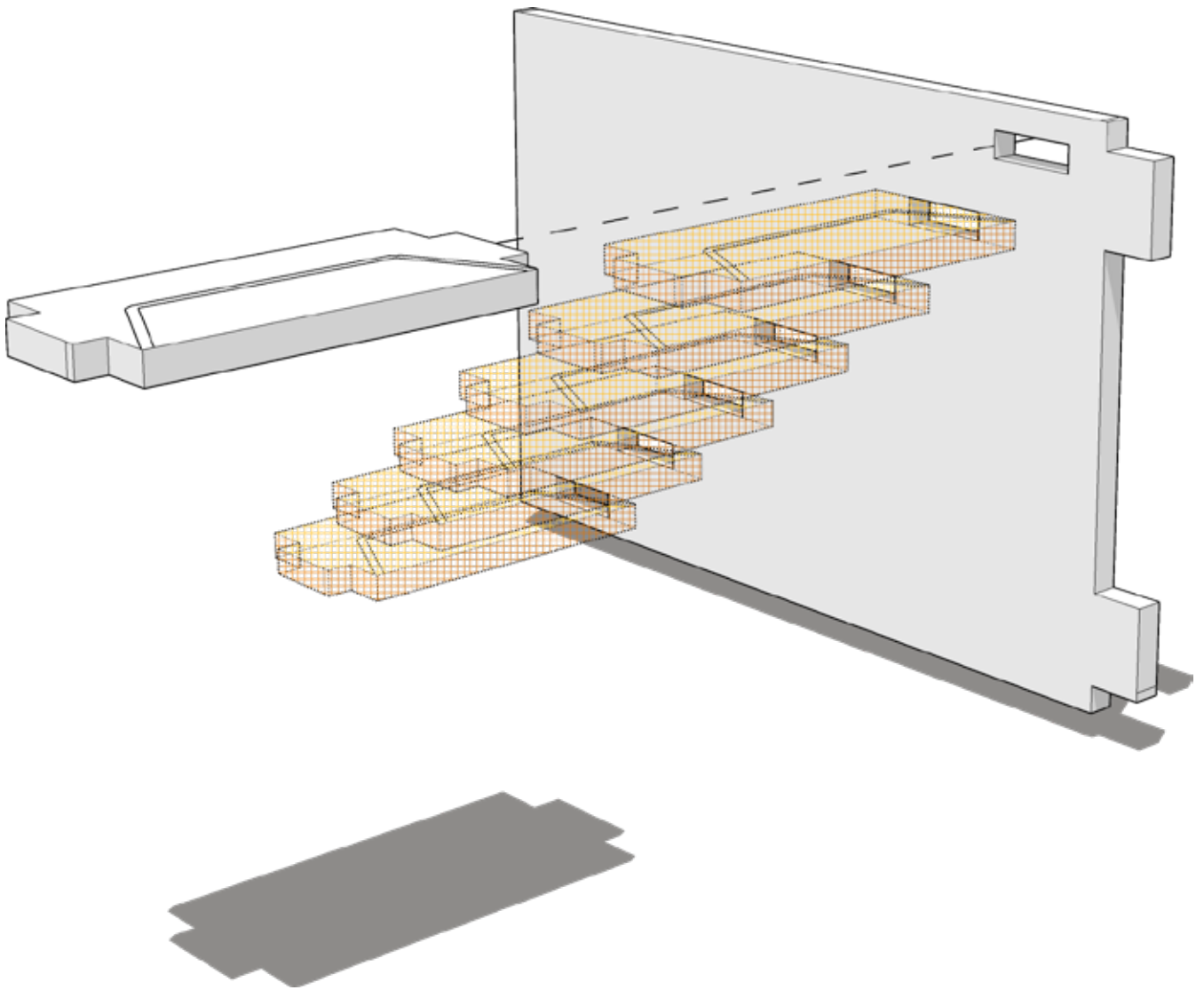
 **TTCOMBAT**



TABLETOP SCENICS

TTSCW-SFU-154
Slab Streets
Slab.Hab Small

12

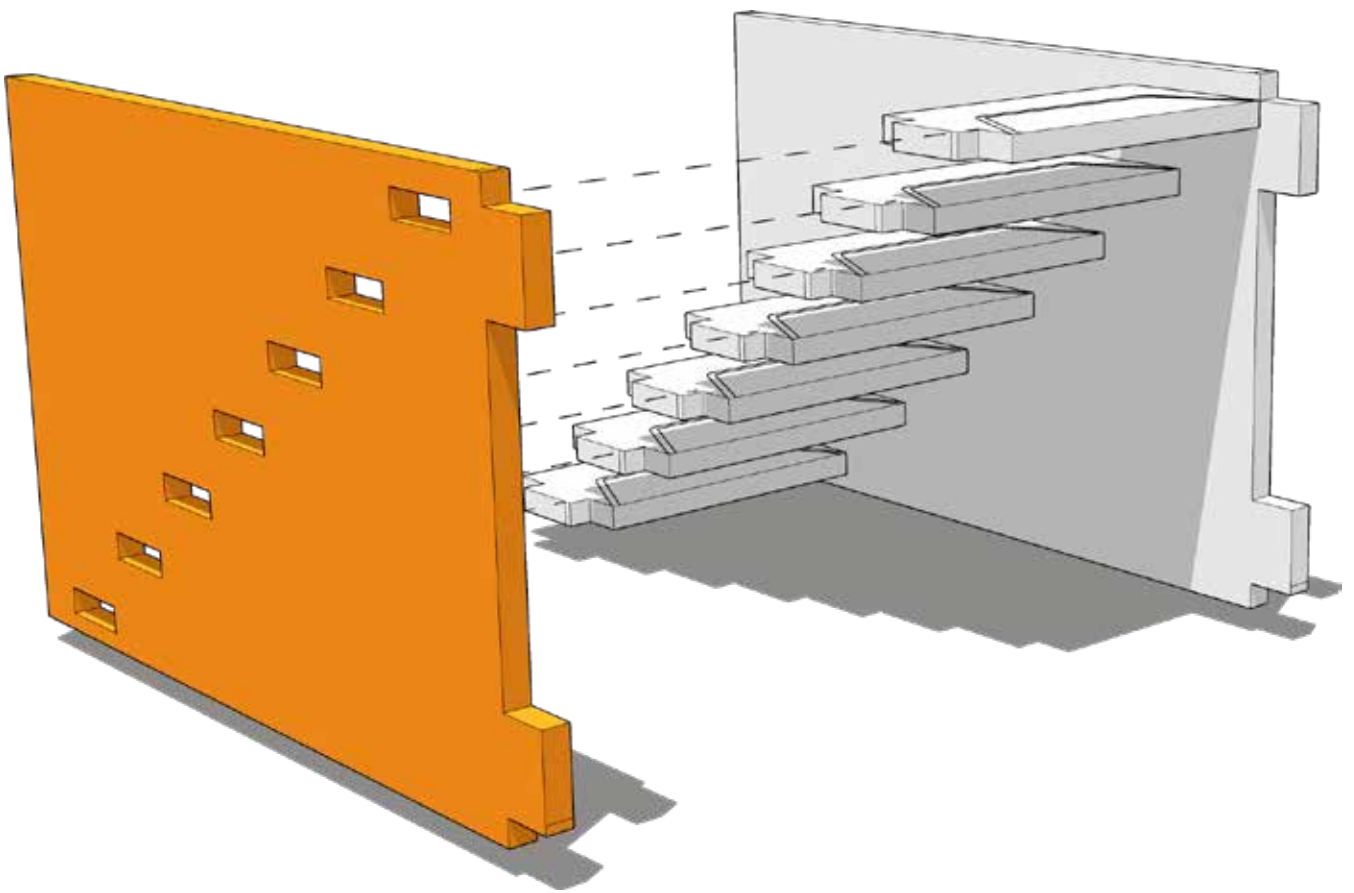




TABLETOP SCENICS

TTSCW-SFU-154
Slab Streets
Slab.Hab Small

13

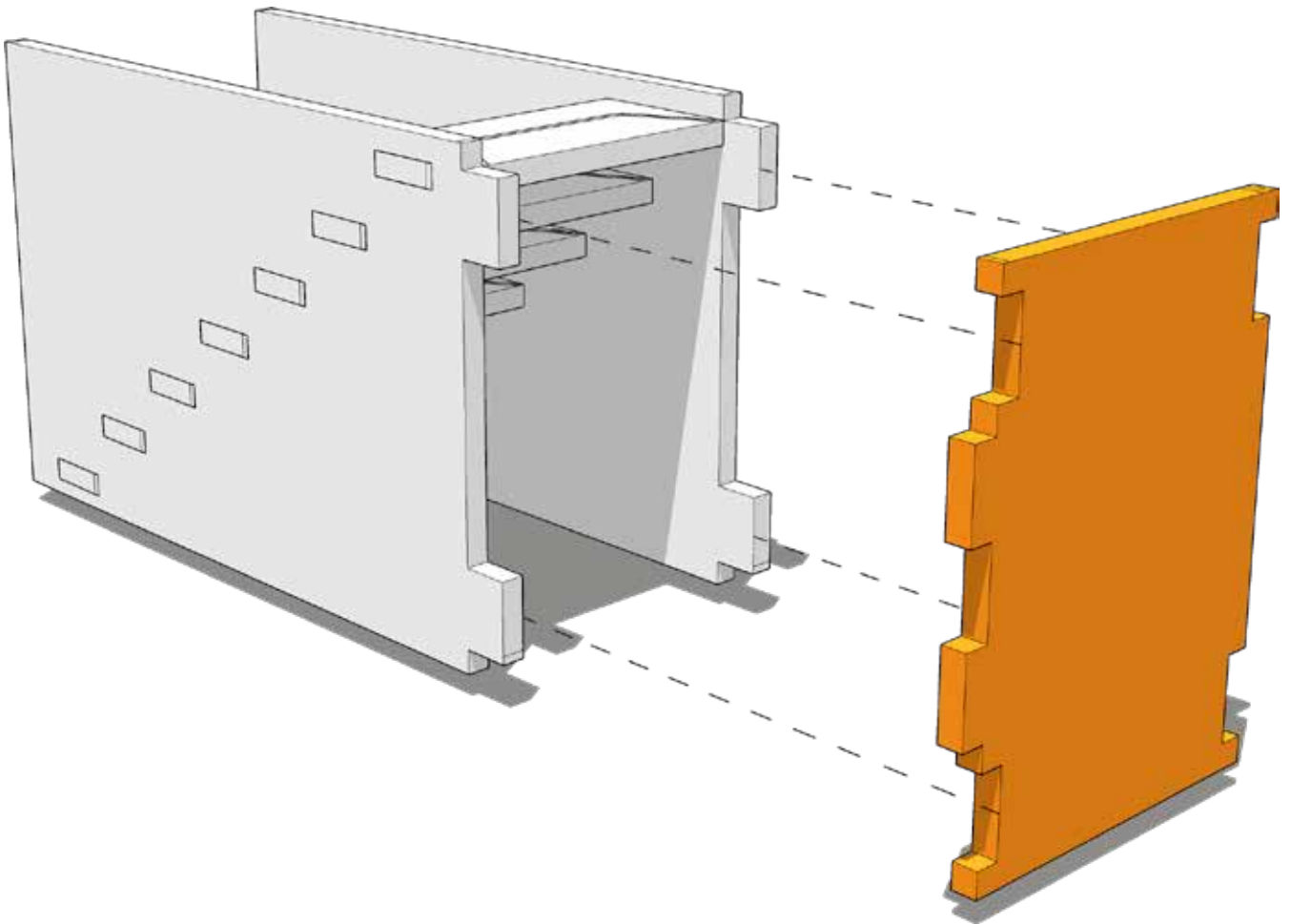




TABLETOP SCENICS

TTSCW-SFU-154
Slab Streets
Slab.Hab Small

14

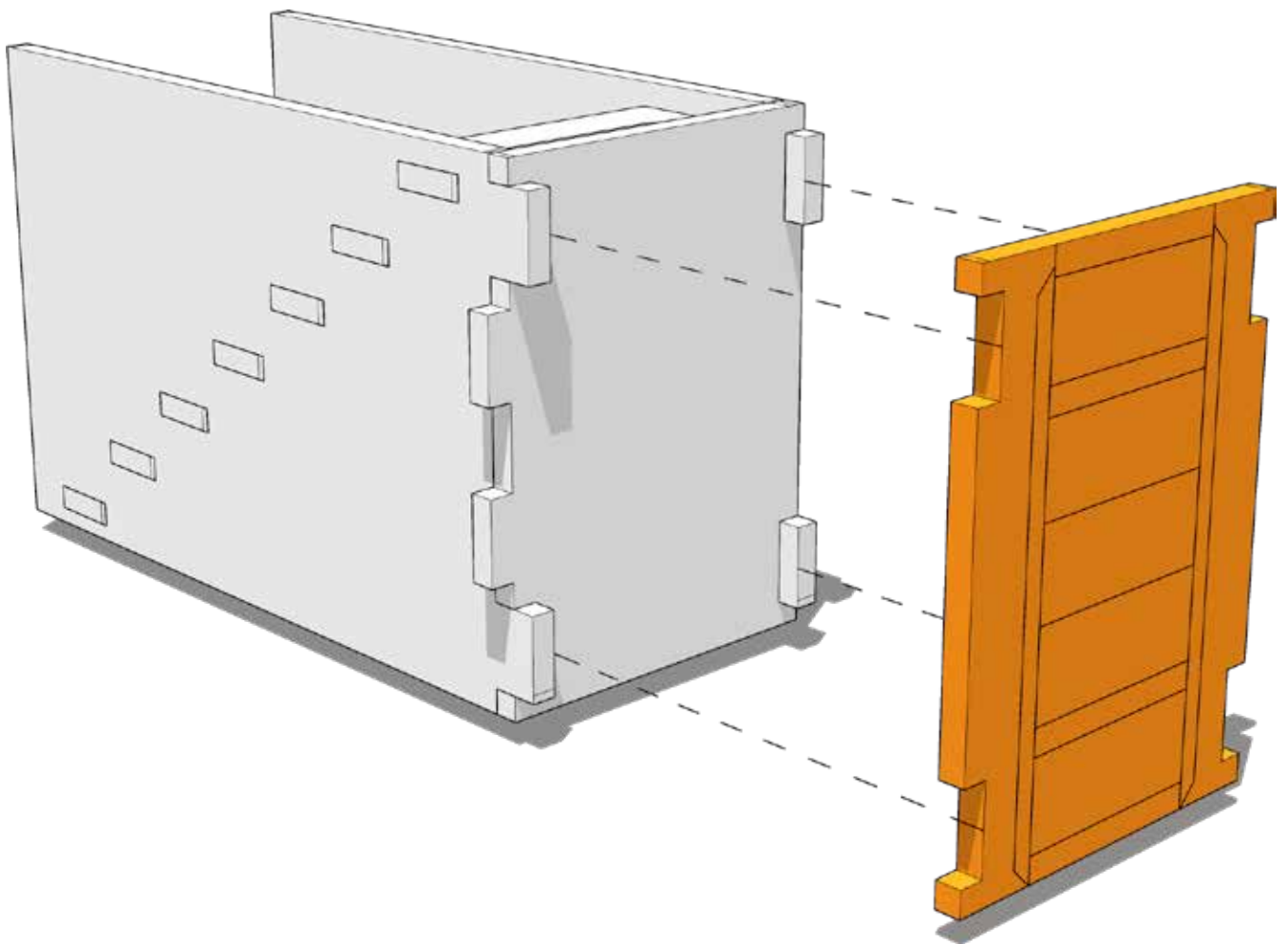




TABLETOP SCENICS

TTSCW-SFU-154
Slab Streets
Slab.Hab Small

15

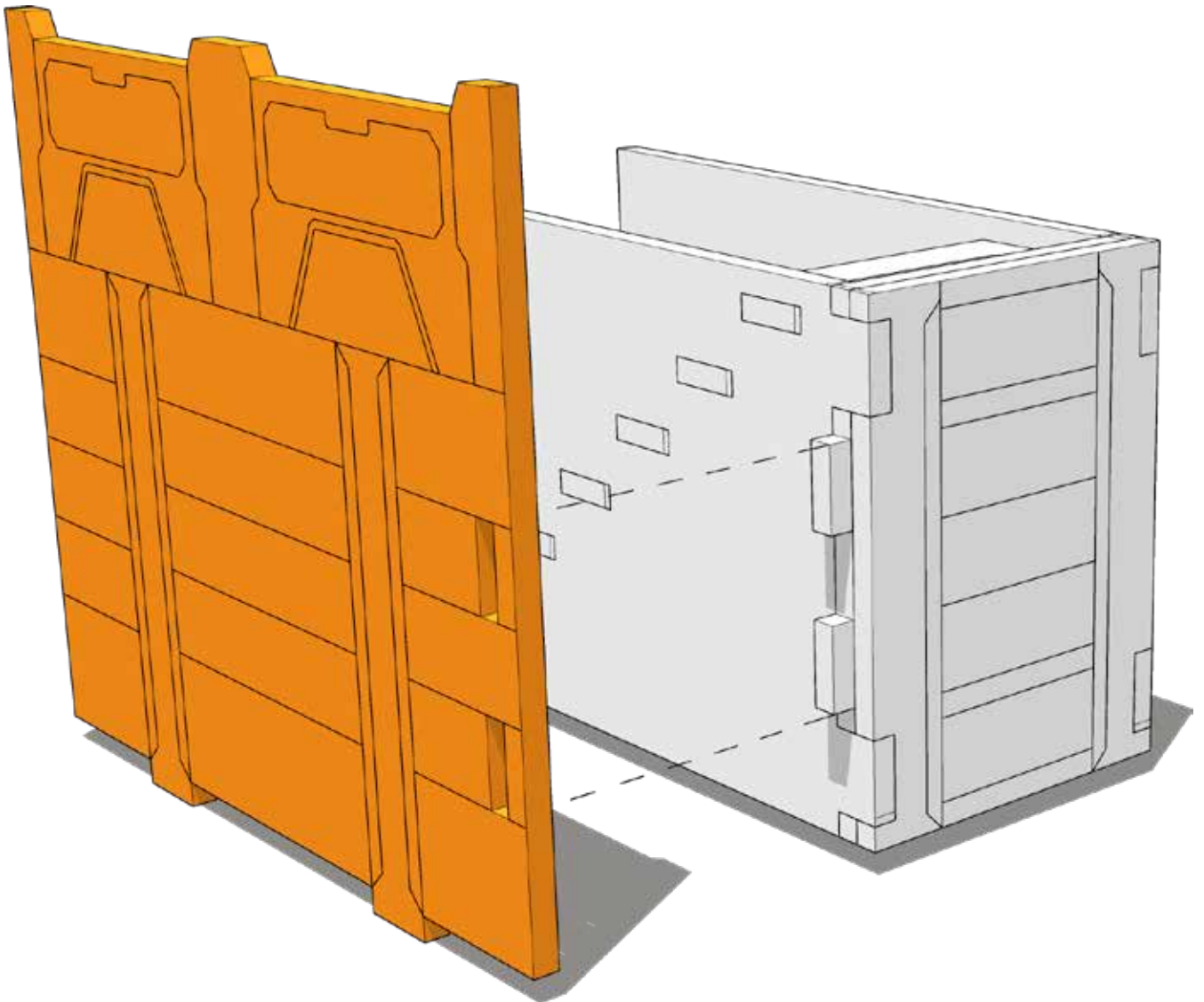




TABLETOP SCENICS

TTSCW-SFU-154
Slab Streets
Slab.Hab Small

16

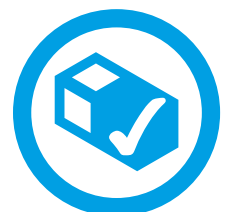
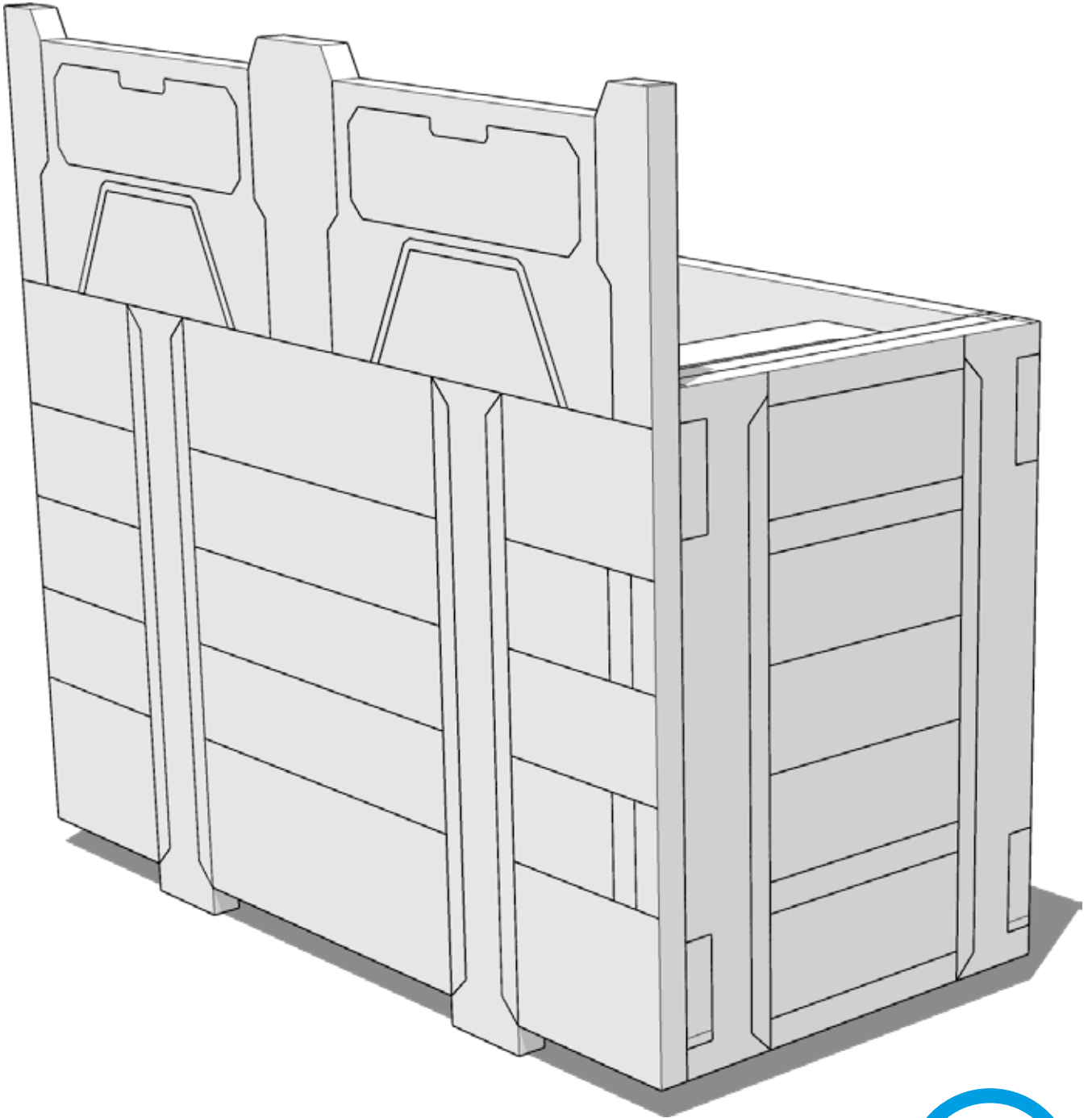




TABLETOP SCENICS

TTSCW-SFU-154
Slab Streets
Slab.Hab Small

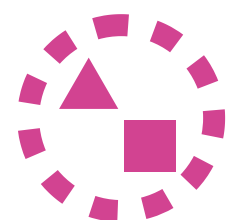
17





All following steps are
optional to glue in place.

It is recommended to NOT
glue in place to allow
different layout options
with the rest of the
Slab.Hab Range

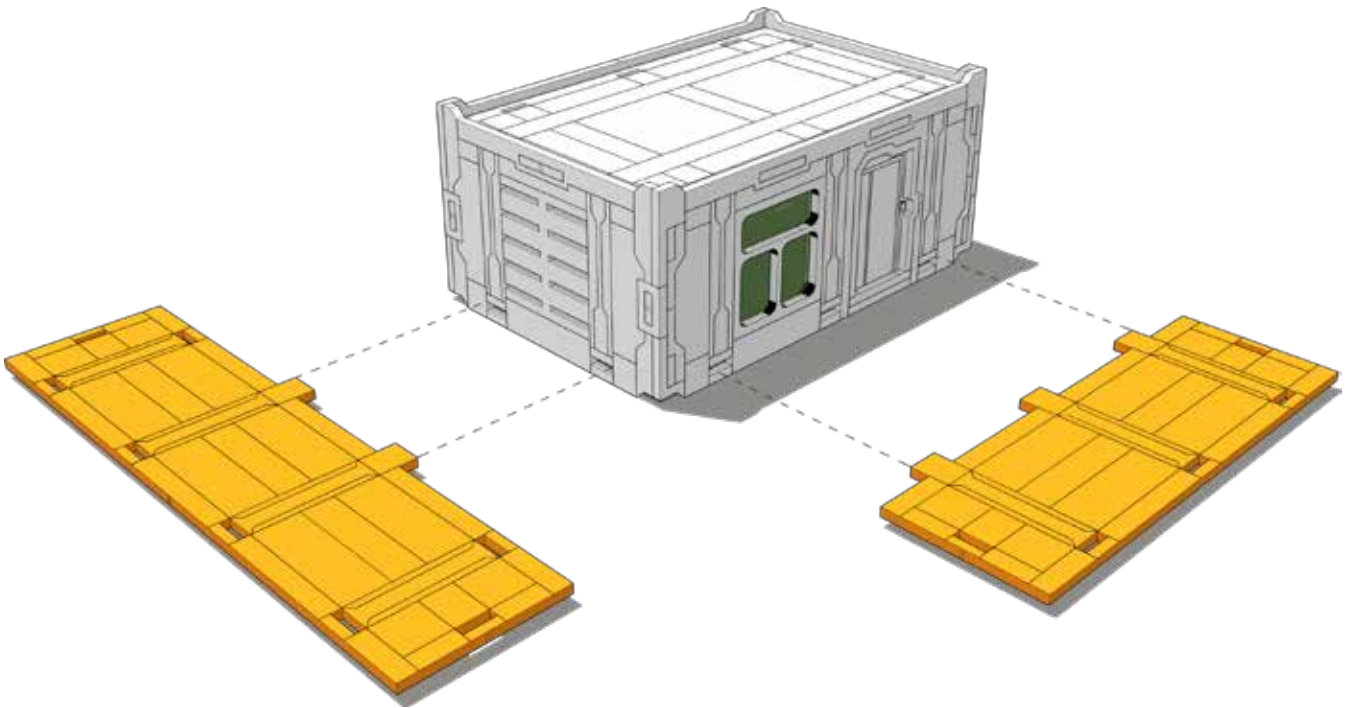




TABLETOP SCENICS

TTSCW-SFU-154
Slab Streets
Slab.Hab Small

19

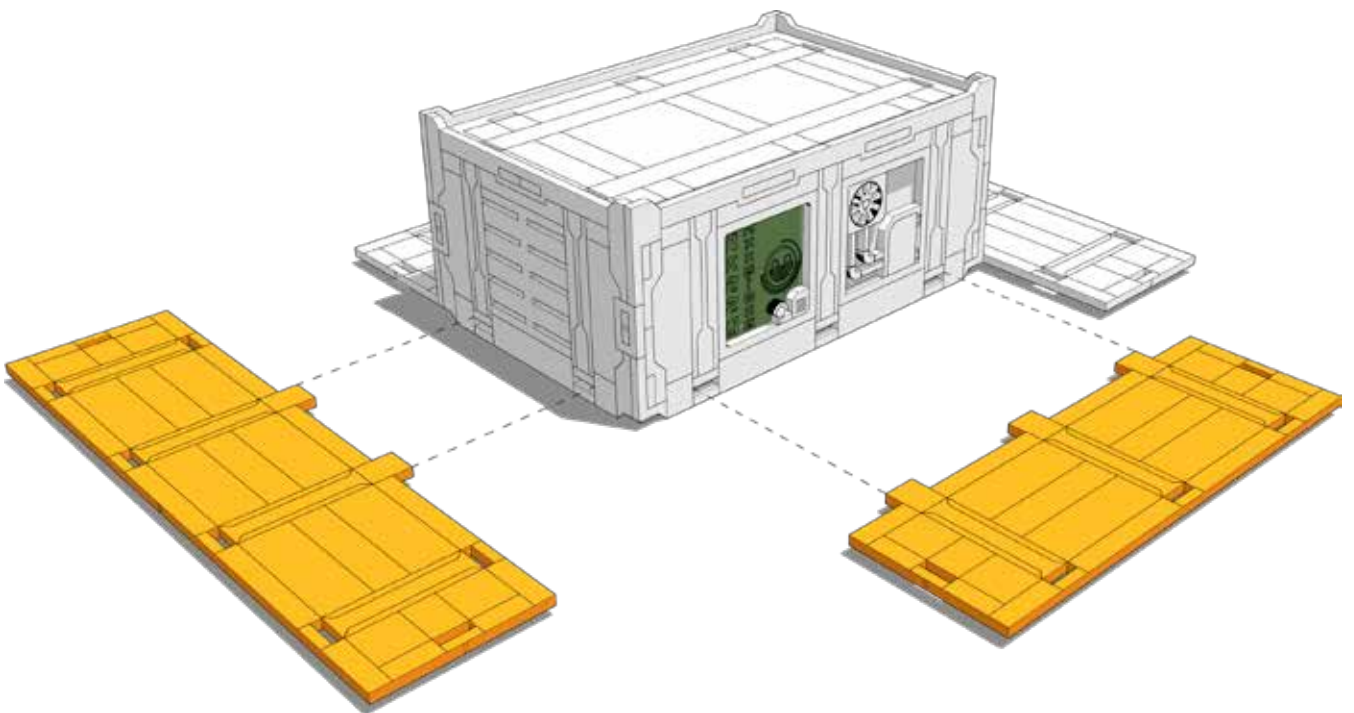




TABLETOP SCENICS

TTSCW-SFU-154
Slab Streets
Slab.Hab Small

20

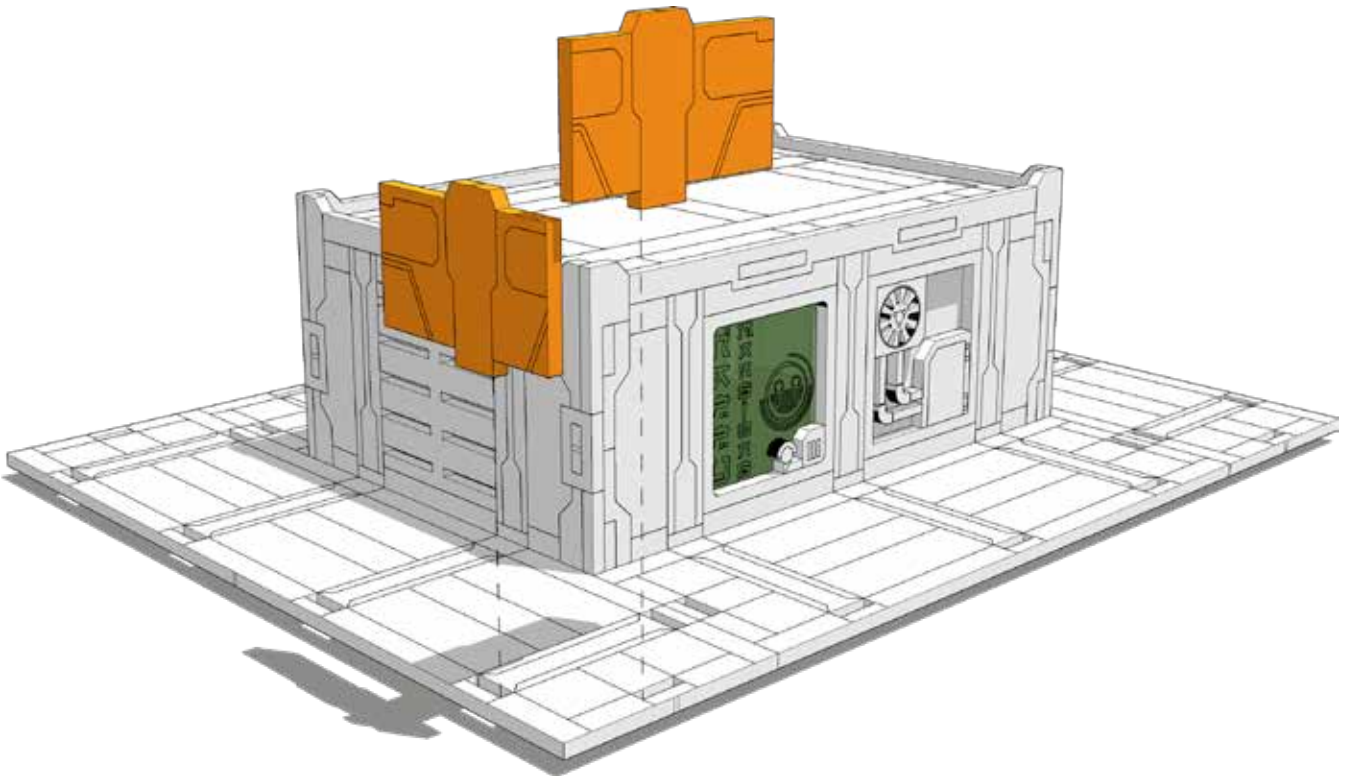




TABLETOP SCENICS

TTSCW-SFU-154
Slab Streets
Slab.Hab Small

21

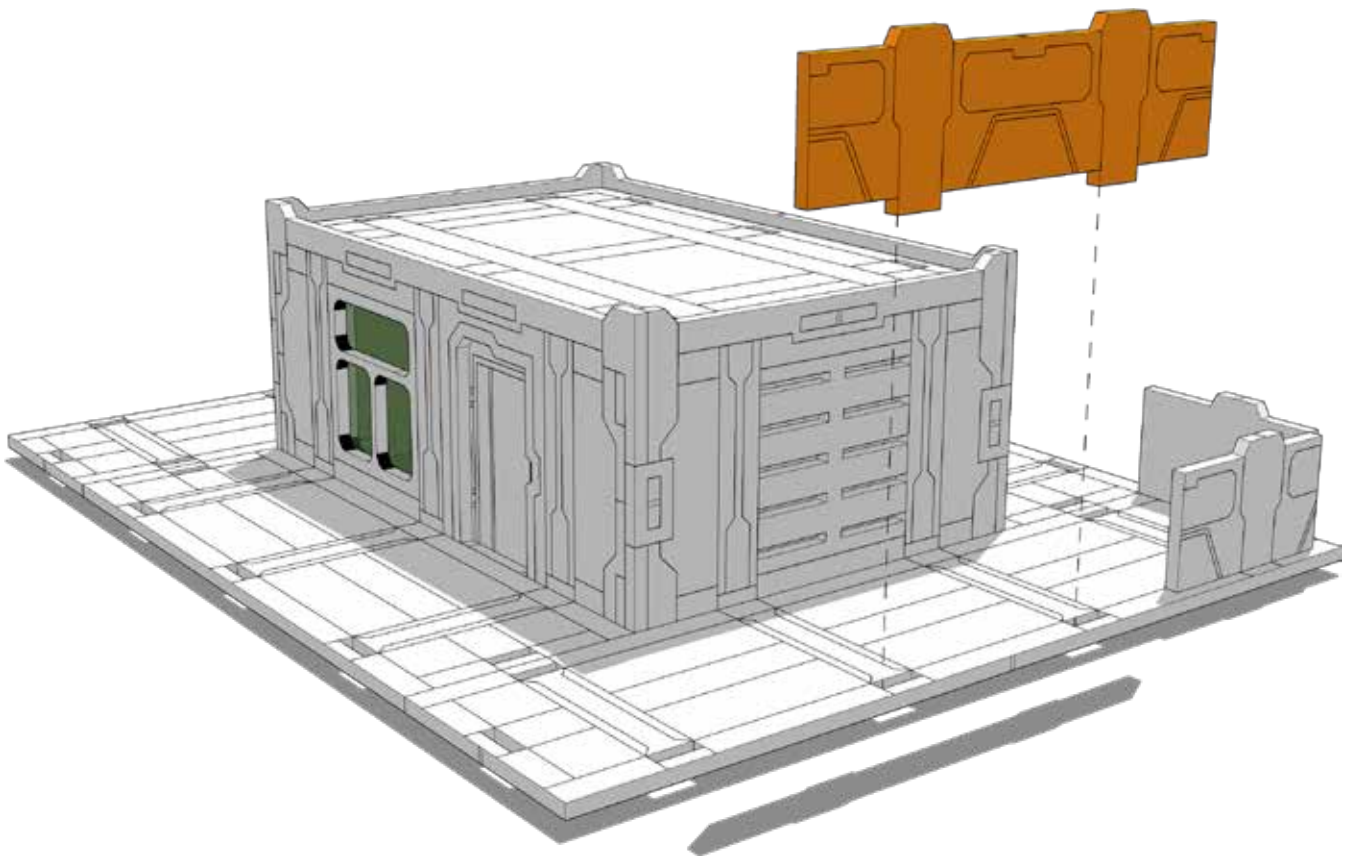




TABLETOP SCENICS

TTSCW-SFU-154
Slab Streets
Slab.Hab Small

22

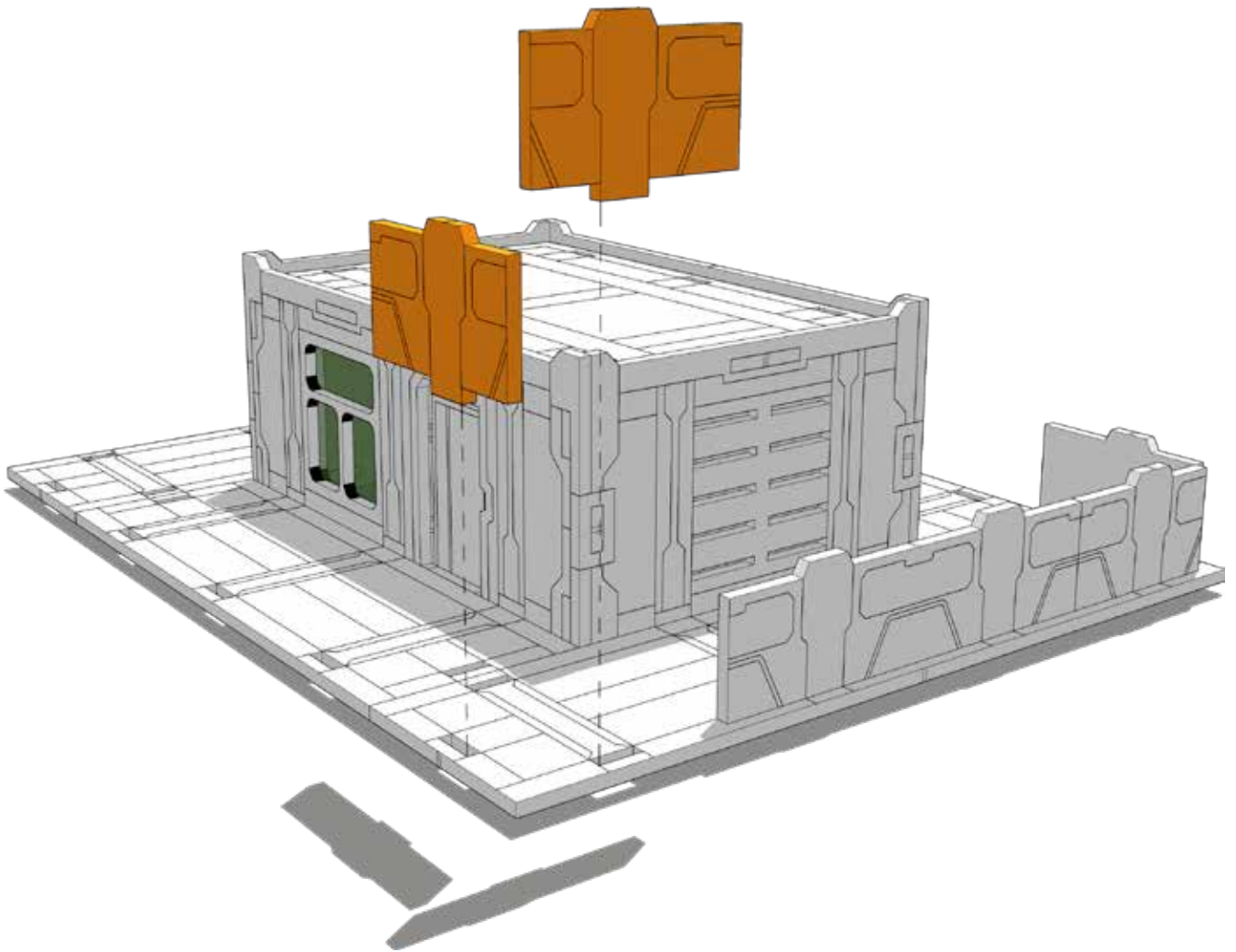




TABLETOP SCENICS

TTSCW-SFU-154
Slab Streets
Slab.Hab Small

23

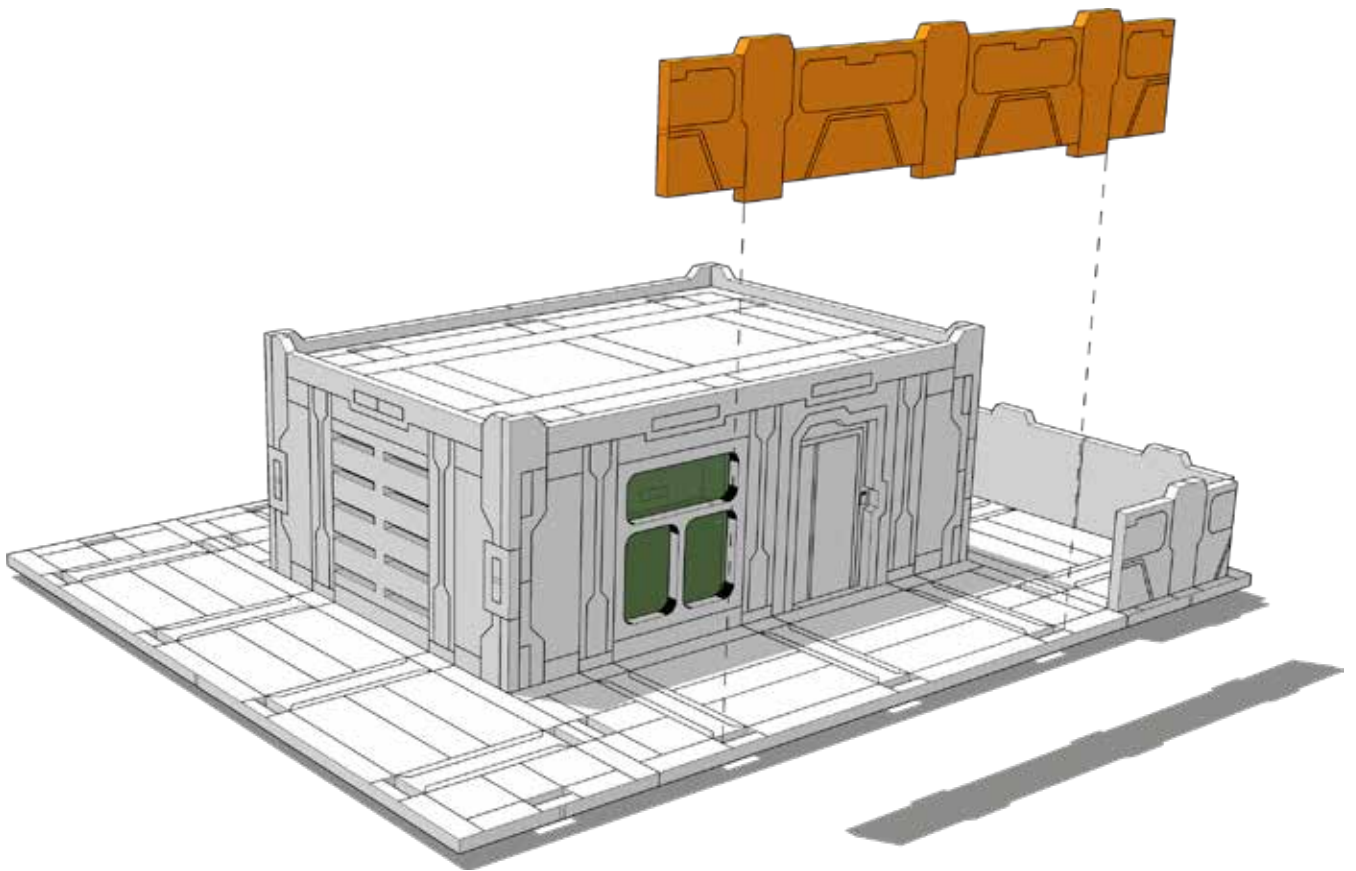




TABLETOP SCENICS

TTSCW-SFU-154
Slab Streets
Slab.Hab Small

24

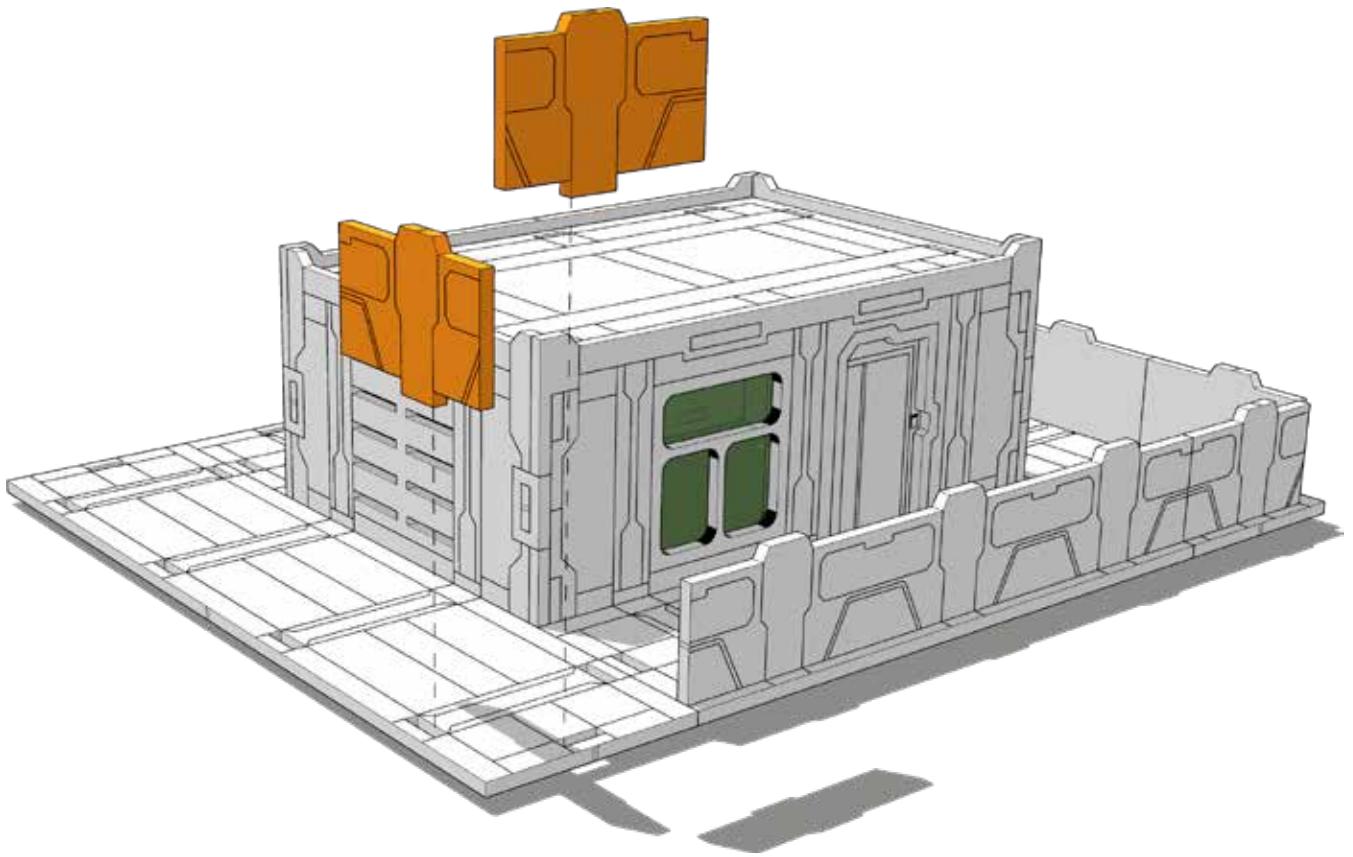




TABLETOP SCENICS

TTSCW-SFU-154
Slab Streets
Slab.Hab Small

25

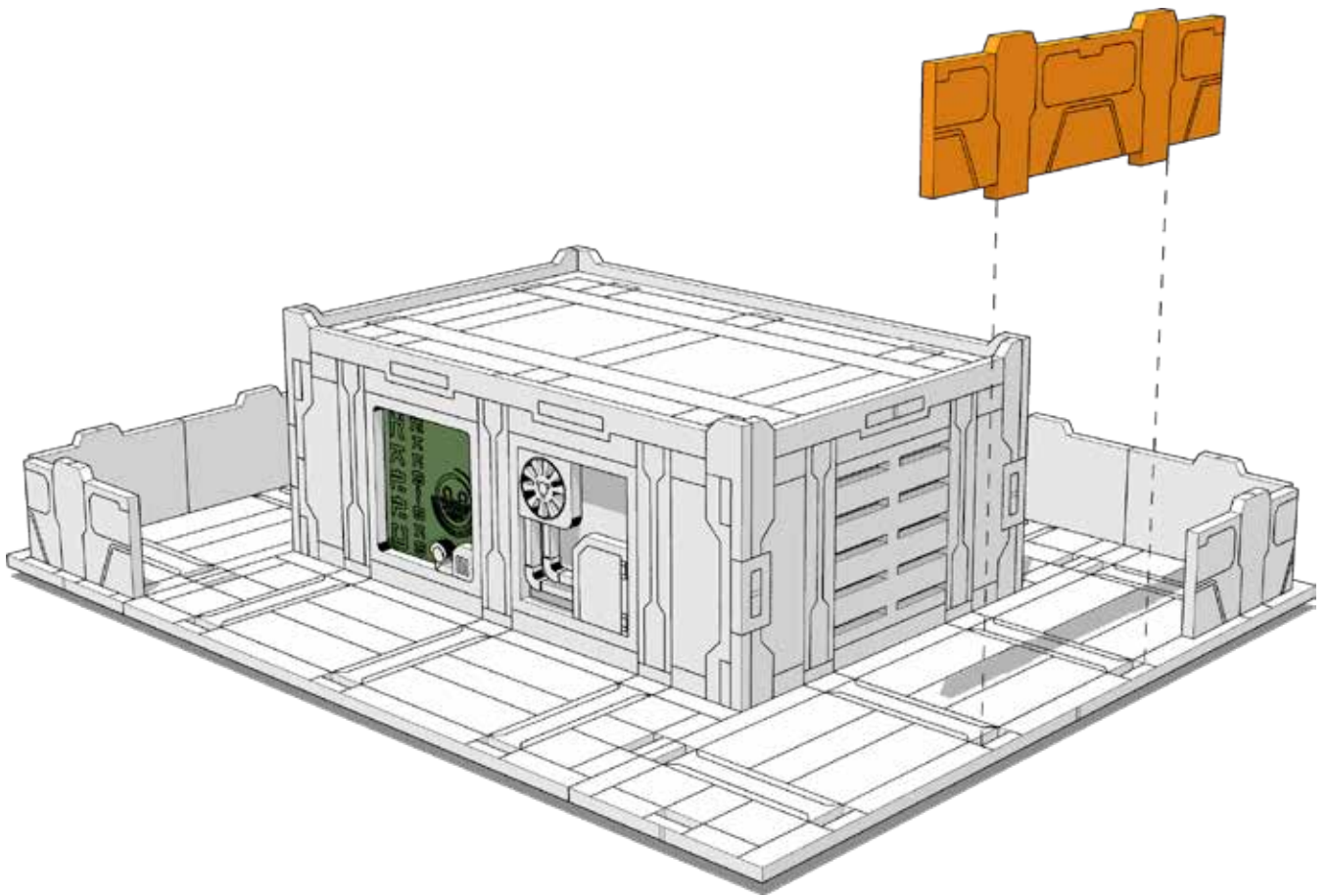




TABLETOP SCENICS

TTSCW-SFU-154
Slab Streets
Slab.Hab Small

26

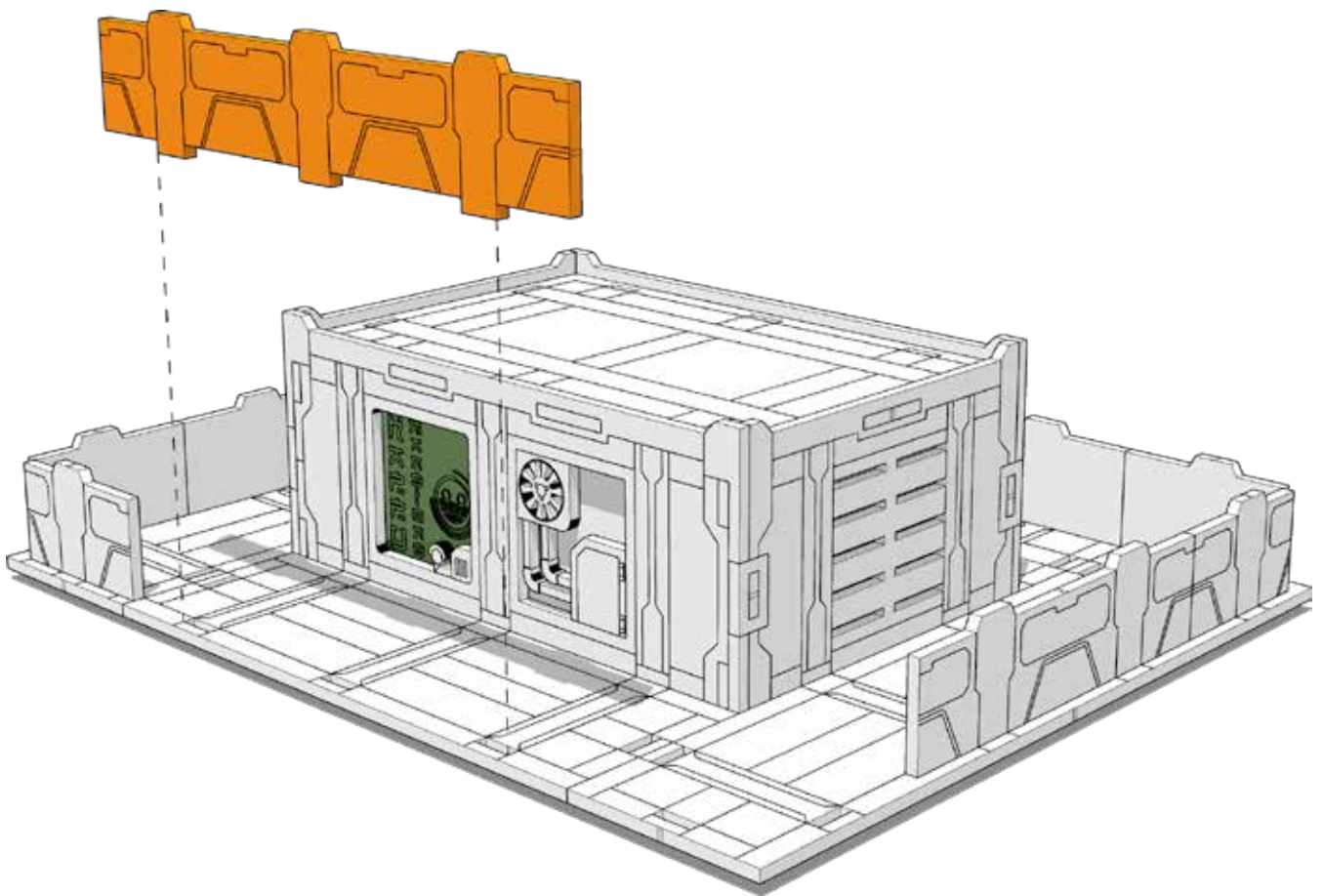




TABLETOP SCENICS

TTSCW-SFU-154
Slab Streets
Slab.Hab Small

27

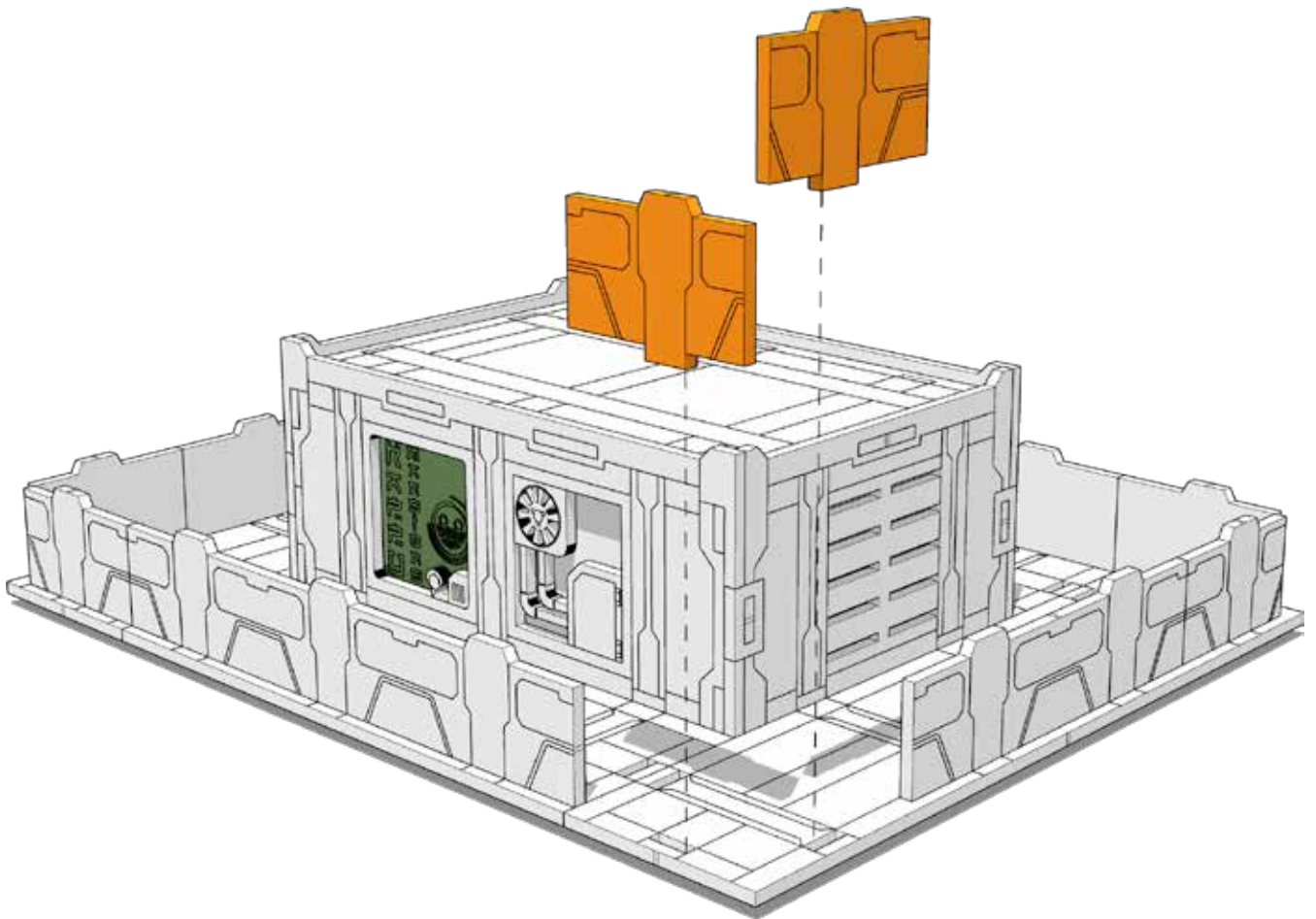




TABLETOP SCENICS

TTSCW-SFU-154
Slab Streets
Slab.Hab Small

28

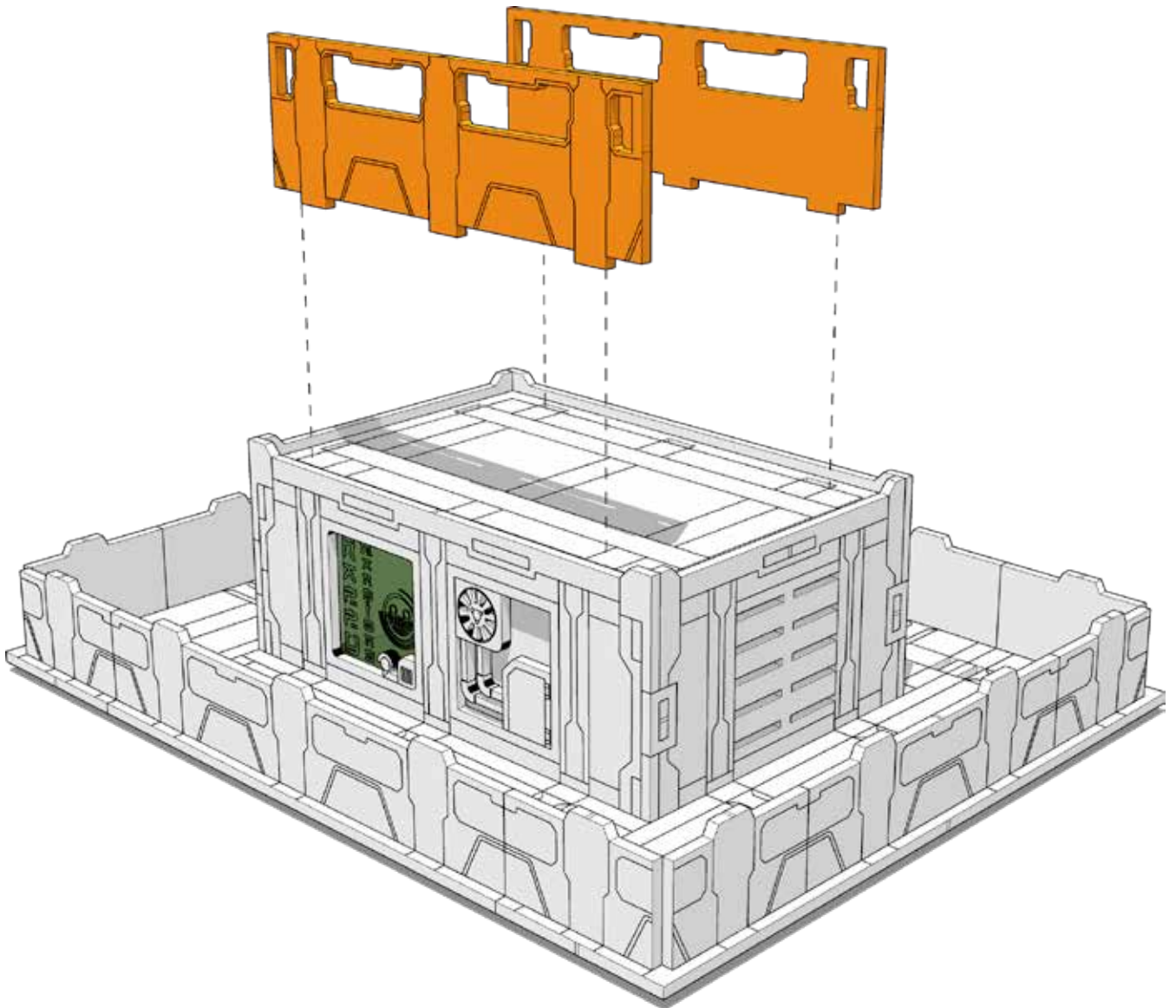




TABLETOP SCENICS

TTSCW-SFU-154
Slab Streets
Slab.Hab Small

29

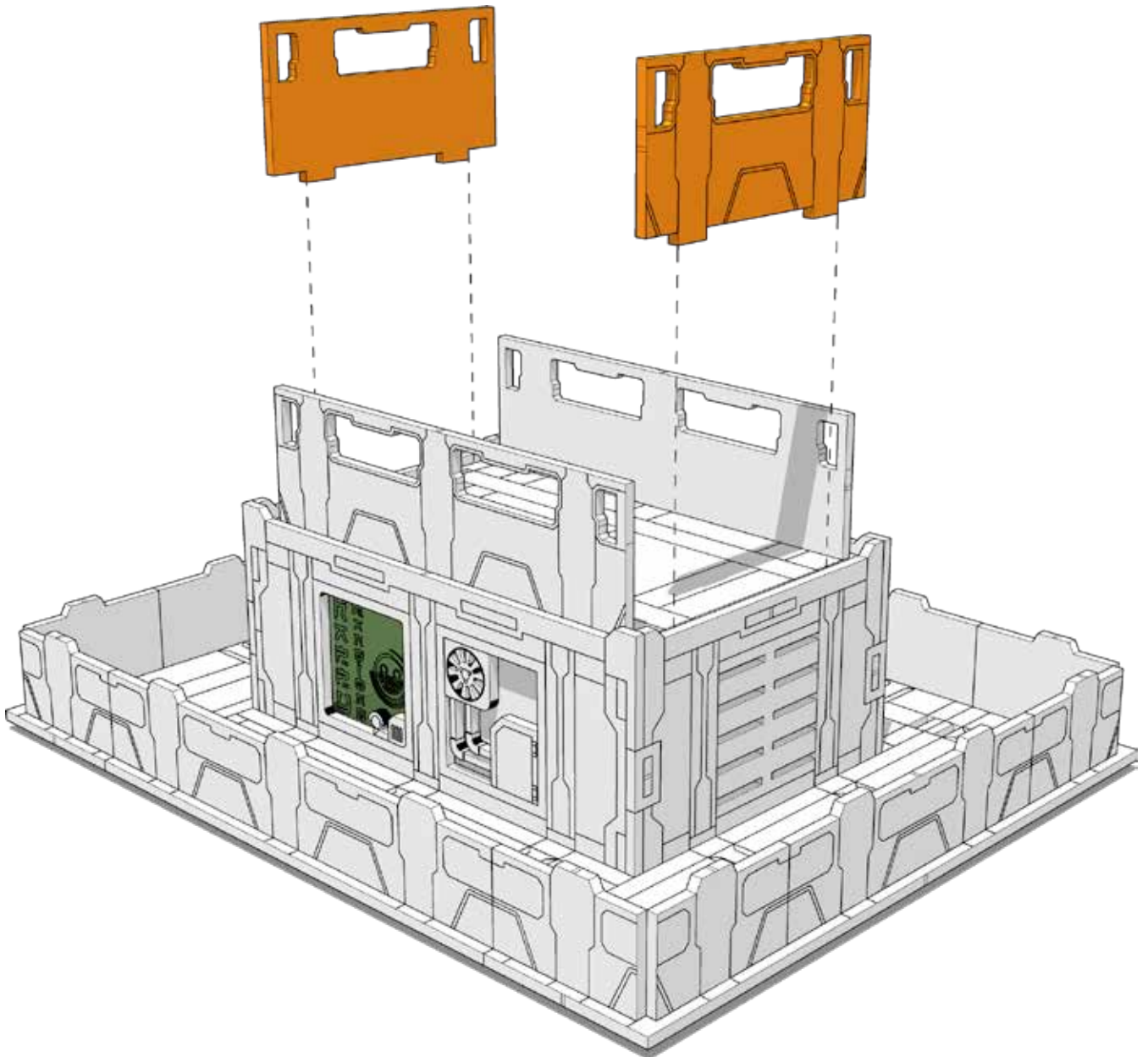




TABLETOP SCENICS

TTSCW-SFU-154
Slab Streets
Slab.Hab Small

30

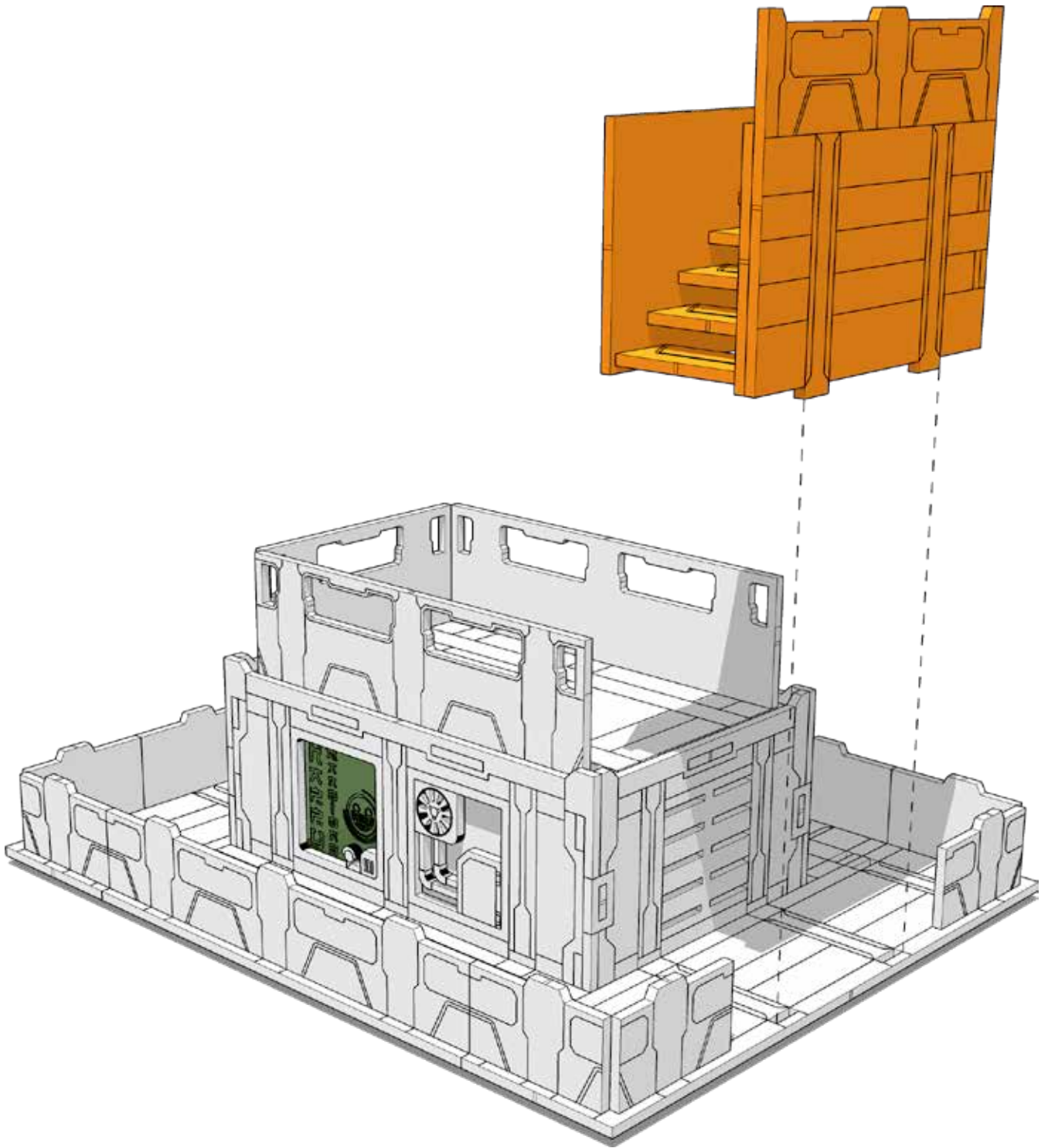




TABLETOP SCENICS

TTSCW-SFU-154
Slab Streets
Slab.Hab Small

31



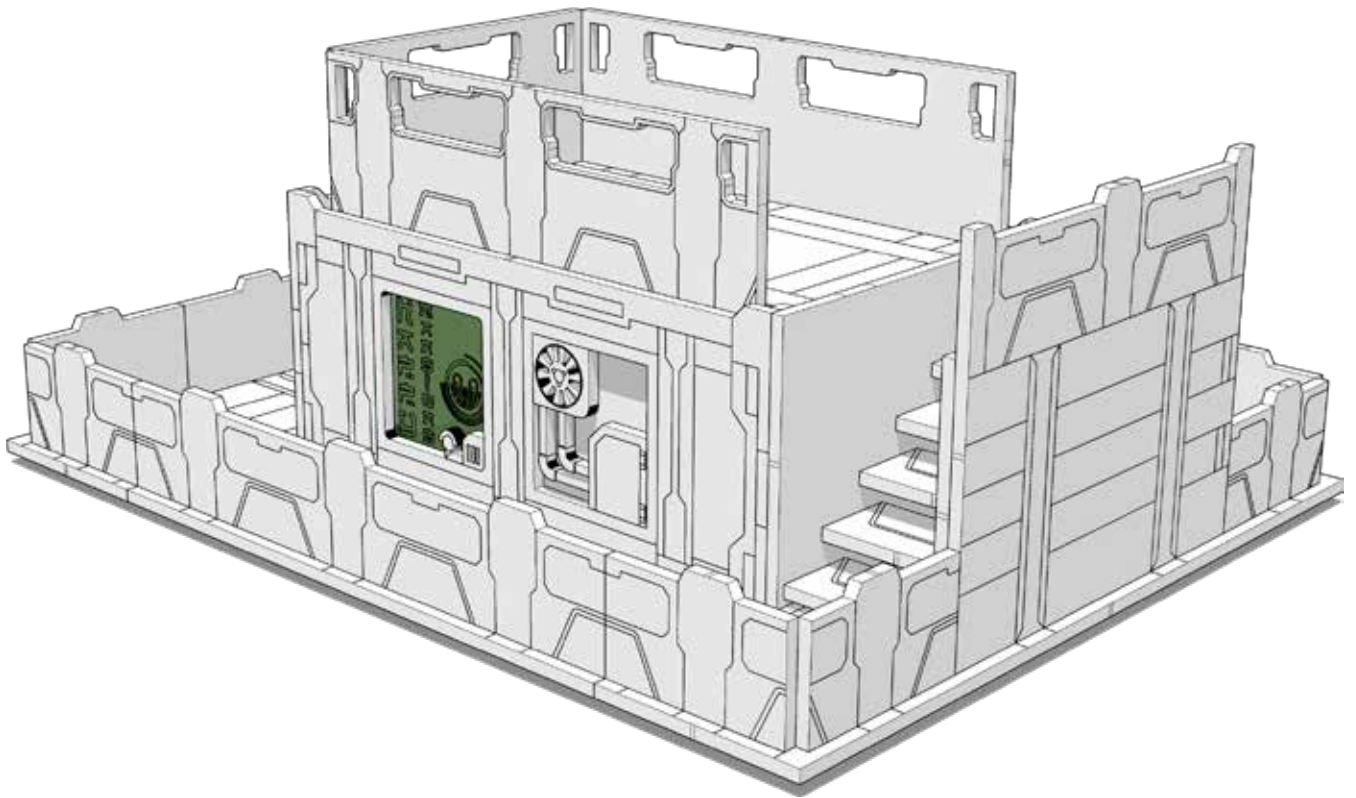
Stairs replace fences to slot into place



TABLETOP SCENICS

TTSCW-SFU-154
Slab Streets
Slab.Hab Small

32



 **TTCOMBAT**