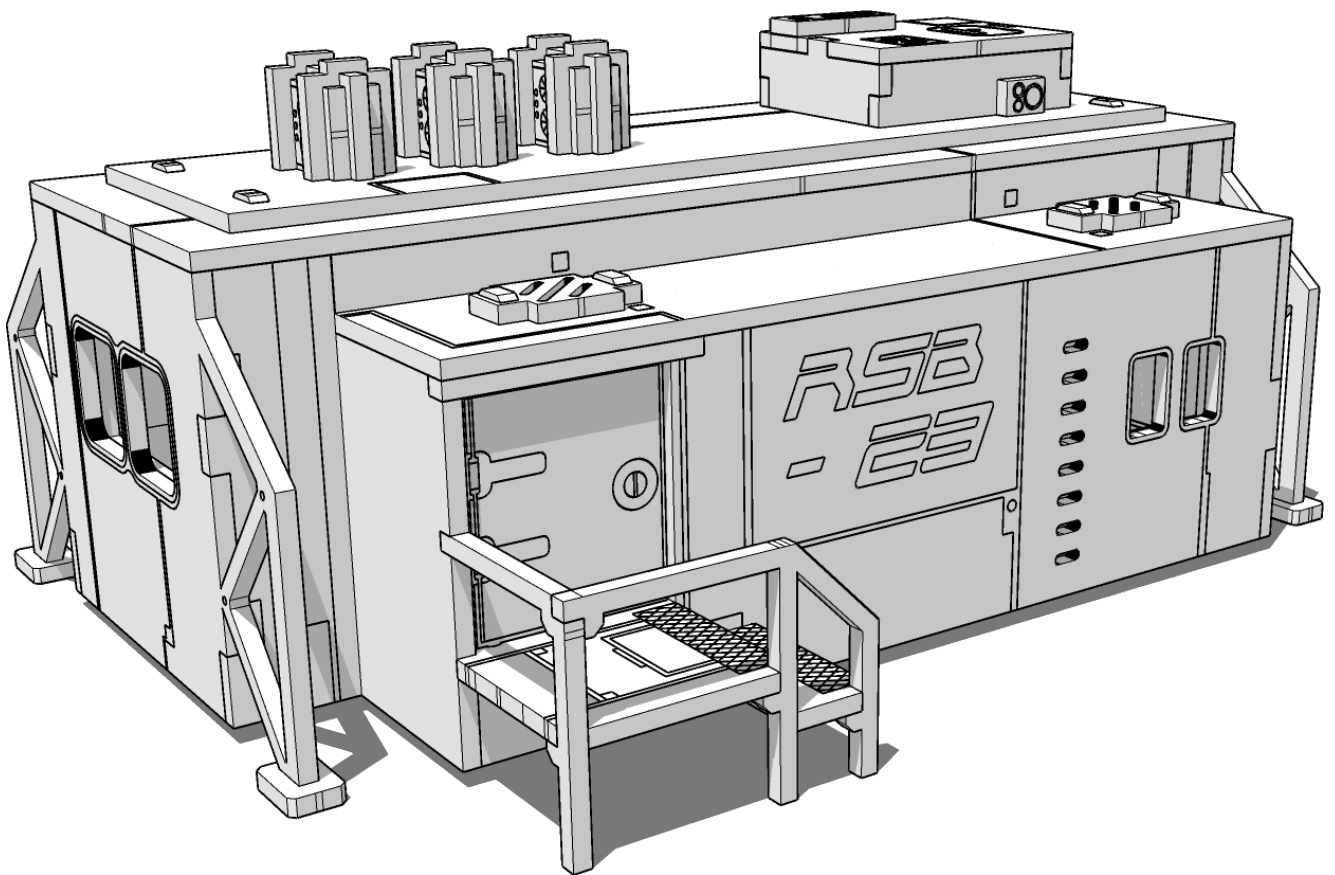




**TABLETOP  
SCENICS**

**TTSCW-SFU-153  
QDSC  
Rum Bravo**



 **TTCOMBAT**



# TABLETOP SCENICS

TTSCW-SFU-153  
QDSC  
Rum Bravo

## 2

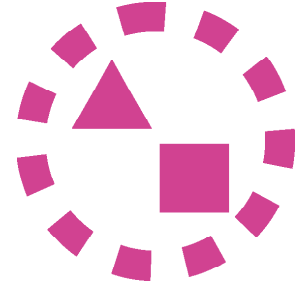
These are a series of icons that may be used throughout the instructions to help your assembly.  
If in doubt, scroll ahead to confirm.



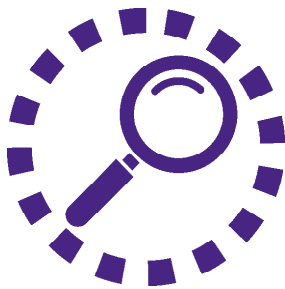
Do not glue this part



Carefully score and  
fold this part



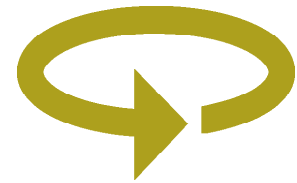
This part - or its placement is  
completely optional



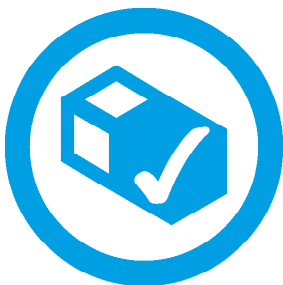
Look closely at this step -  
The process order or part  
used, may be specific



Repeat making this part  
the specified number  
of times



The next instruction step  
will be the same assembly  
so far, but from a different  
angle



Sub-assembly complete.  
This smaller construction  
is ready to add to the  
main kit



Assembly Complete! There  
could be more optional  
parts - check to the very end  
of instructions



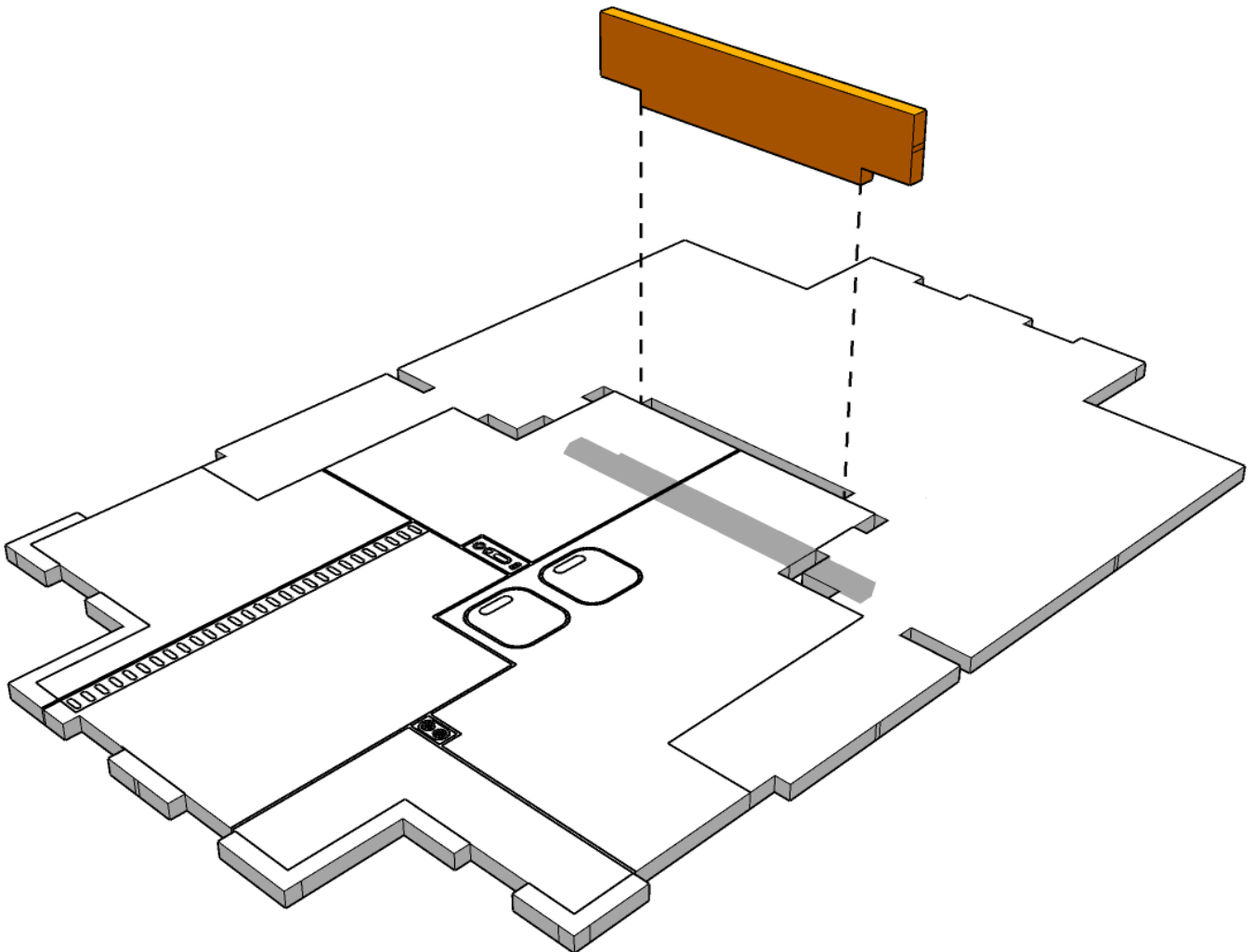
FRAGILE: DO NOT BEND.  
“Bendy wood” is designed to  
curve around a designed  
frame only.



# TABLETOP SCENICS

TTSCW-SFU-153  
QDSC  
Rum Bravo

3

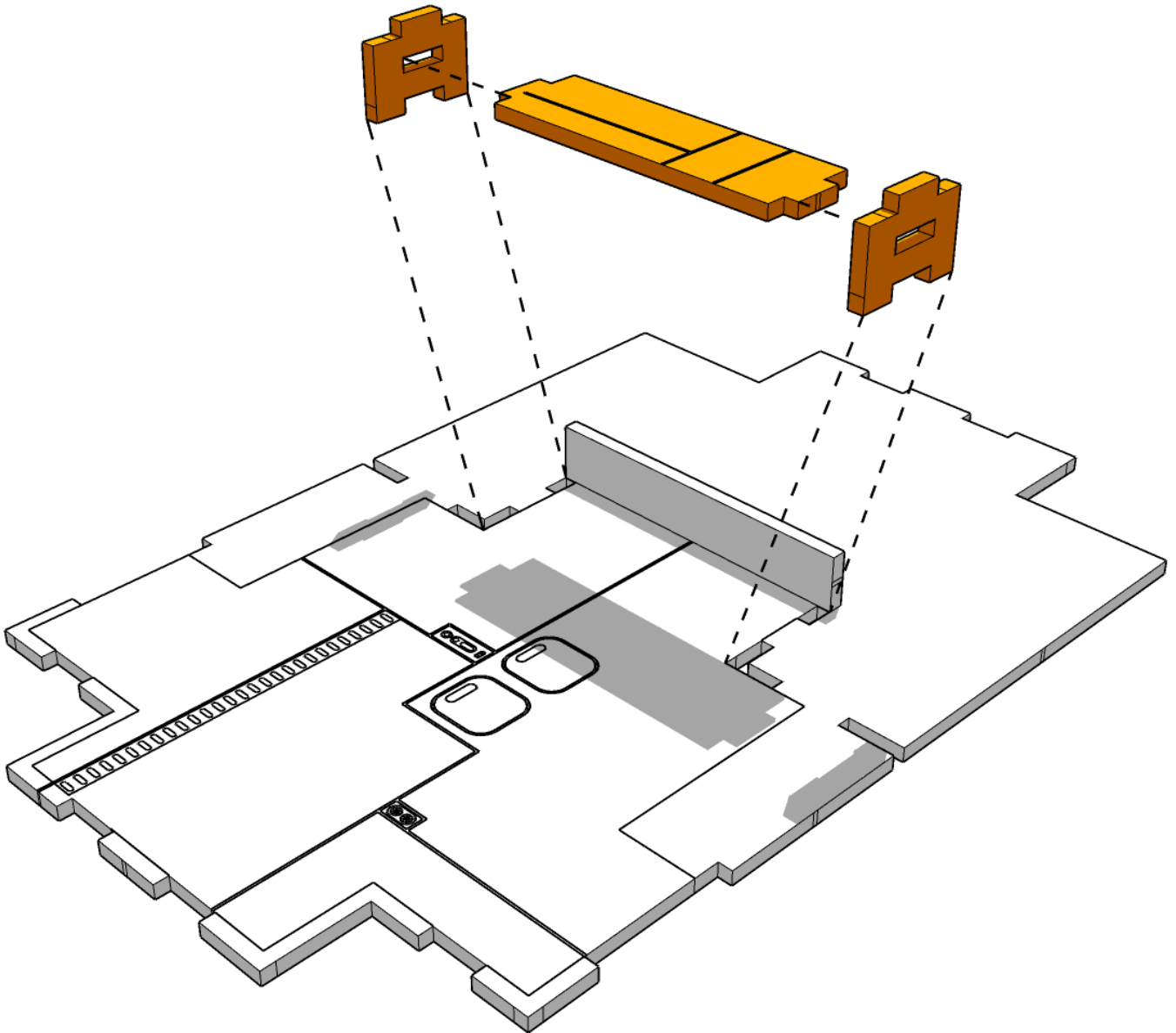




# TABLETOP SCENICS

TTSCW-SFU-153  
QDSC  
Rum Bravo

4

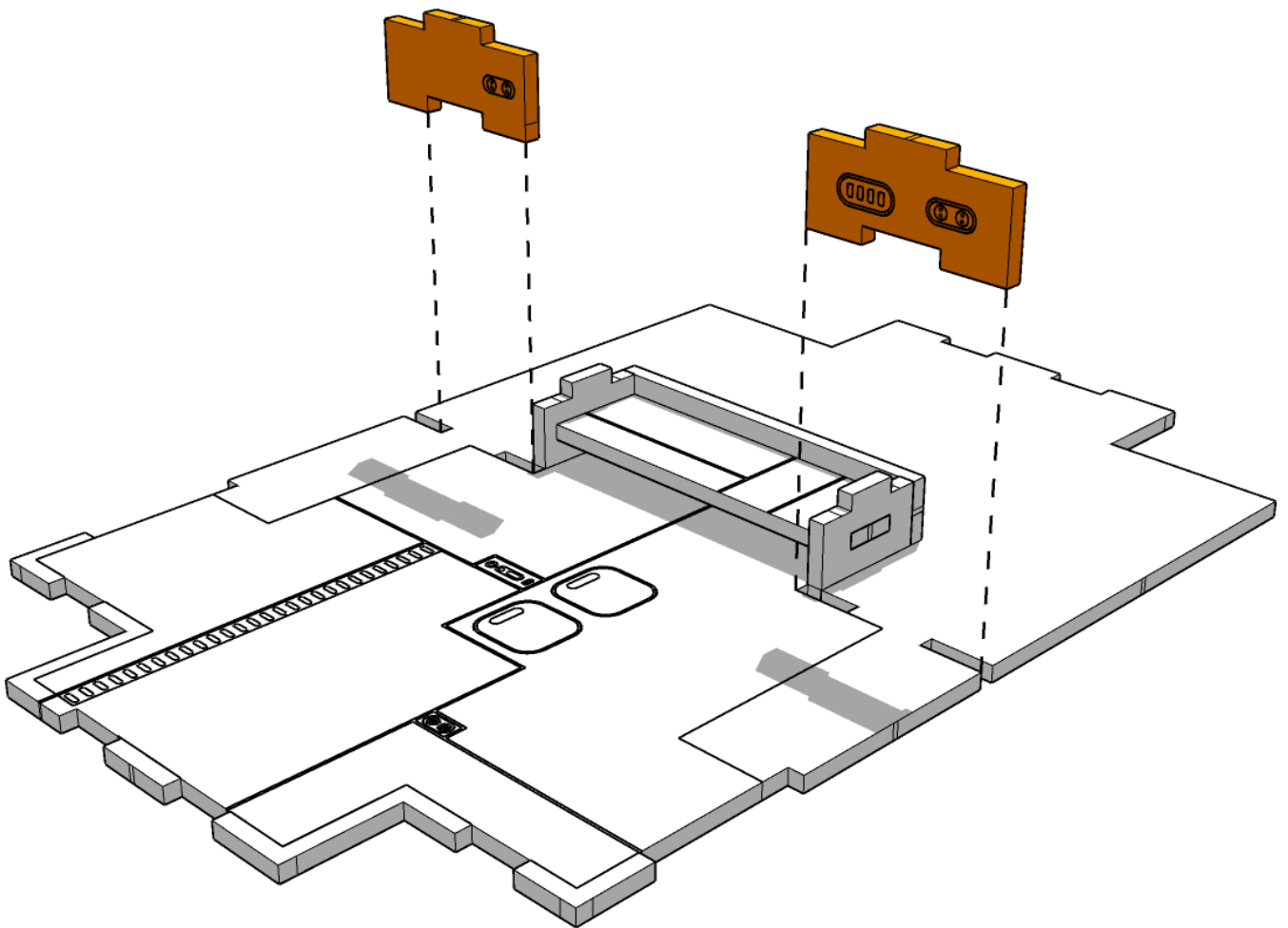




# TABLETOP SCENICS

TTSCW-SFU-153  
QDSC  
Rum Bravo

5

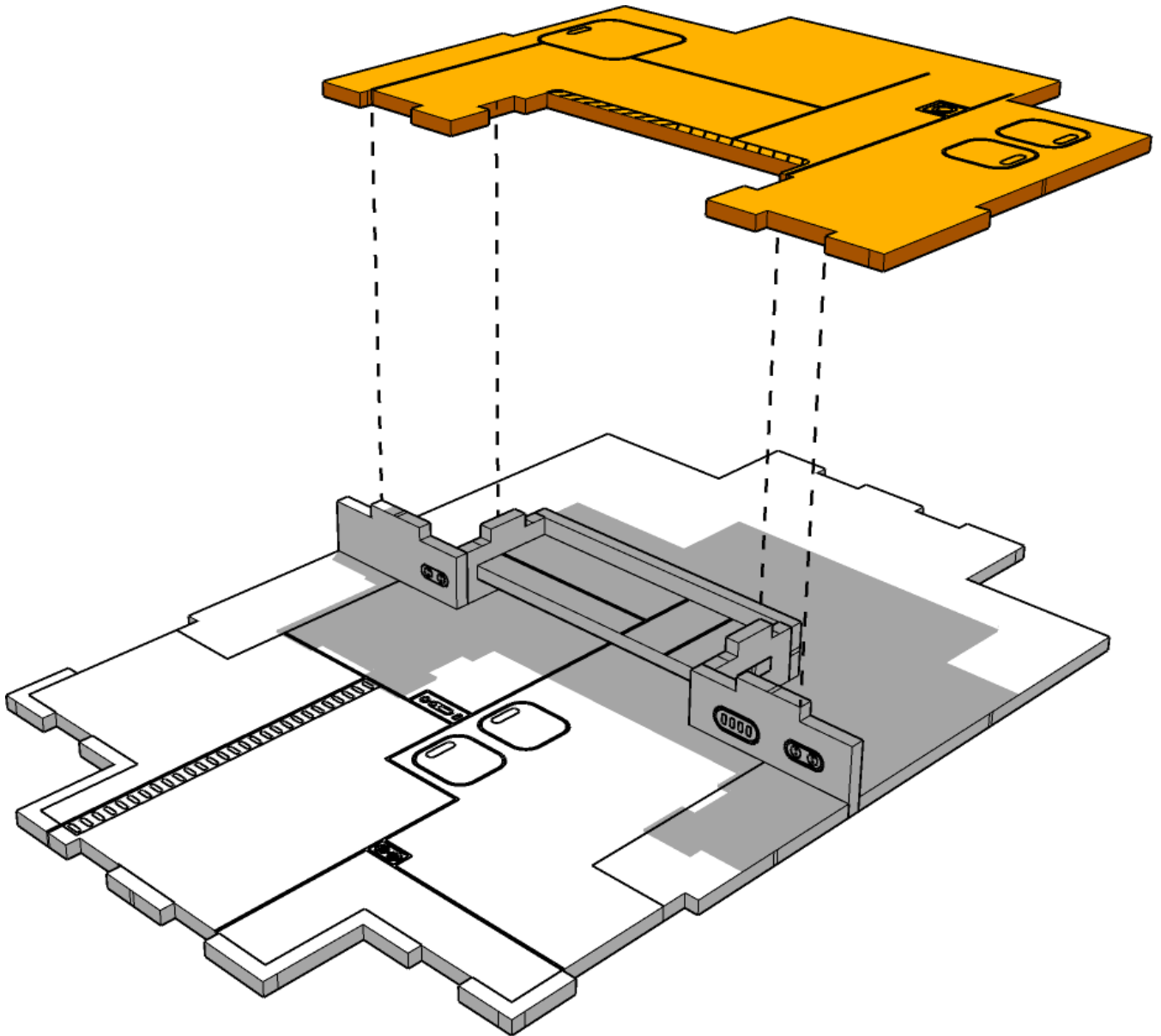




# TABLETOP SCENICS

TTSCW-SFU-153  
QDSC  
Rum Bravo

6

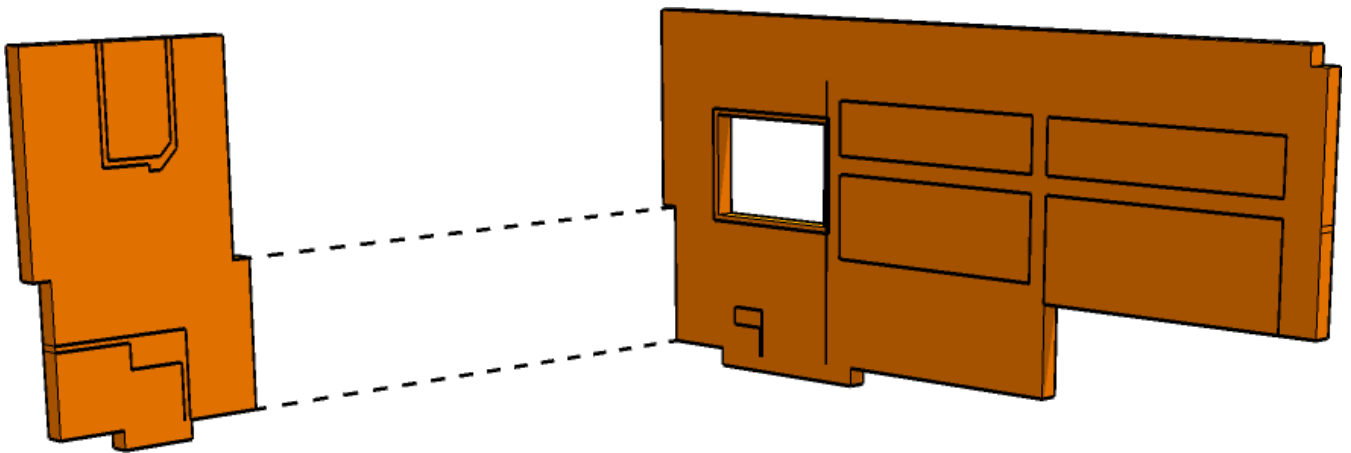




# TABLETOP SCENICS

TTSCW-SFU-153  
QDSC  
Rum Bravo

7

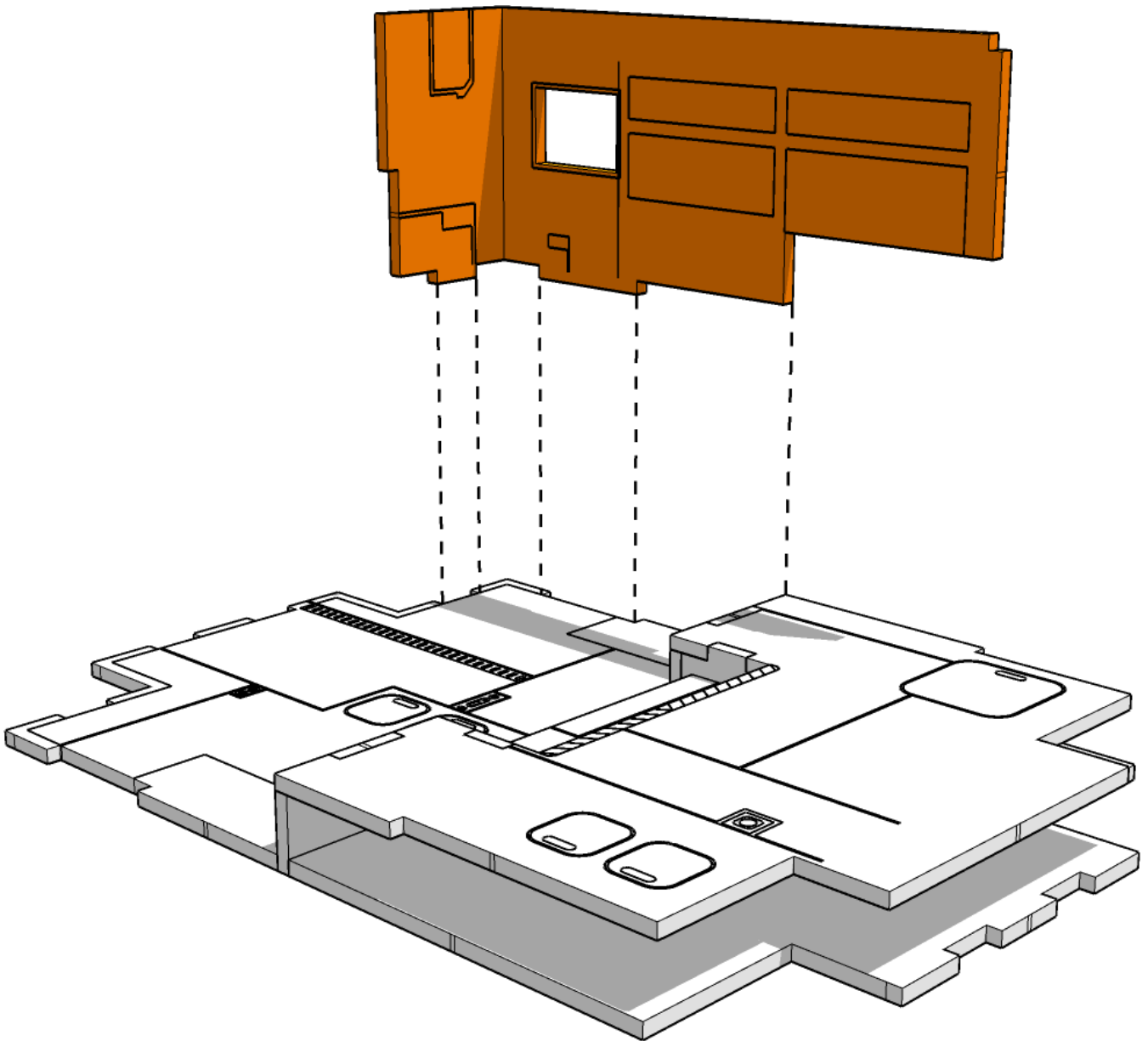




# TABLETOP SCENICS

TTSCW-SFU-153  
QDSC  
Rum Bravo

8



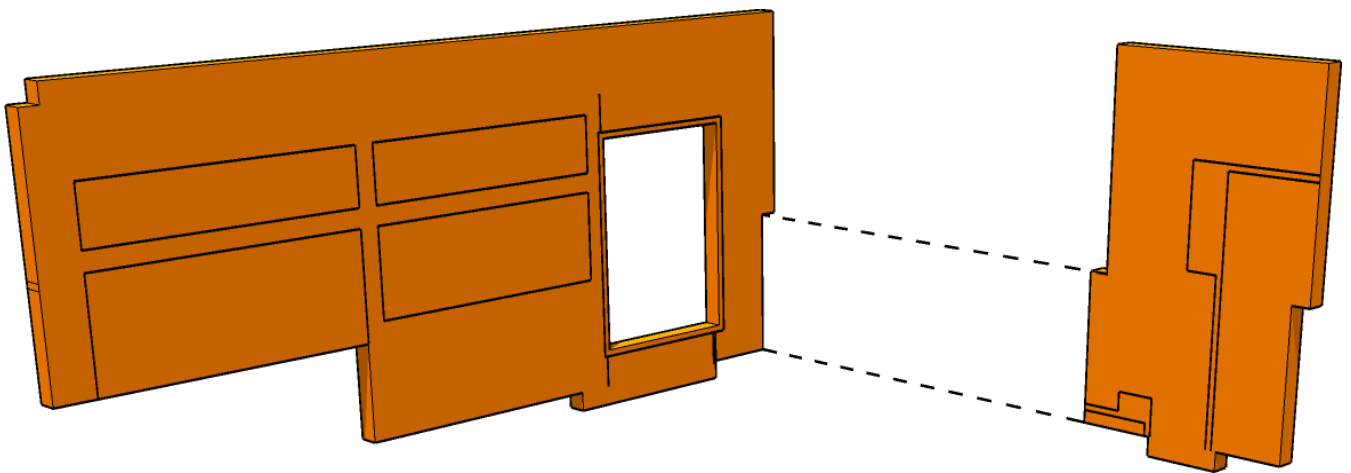




# TABLETOP SCENICS

TTSCW-SFU-153  
QDSC  
Rum Bravo

9

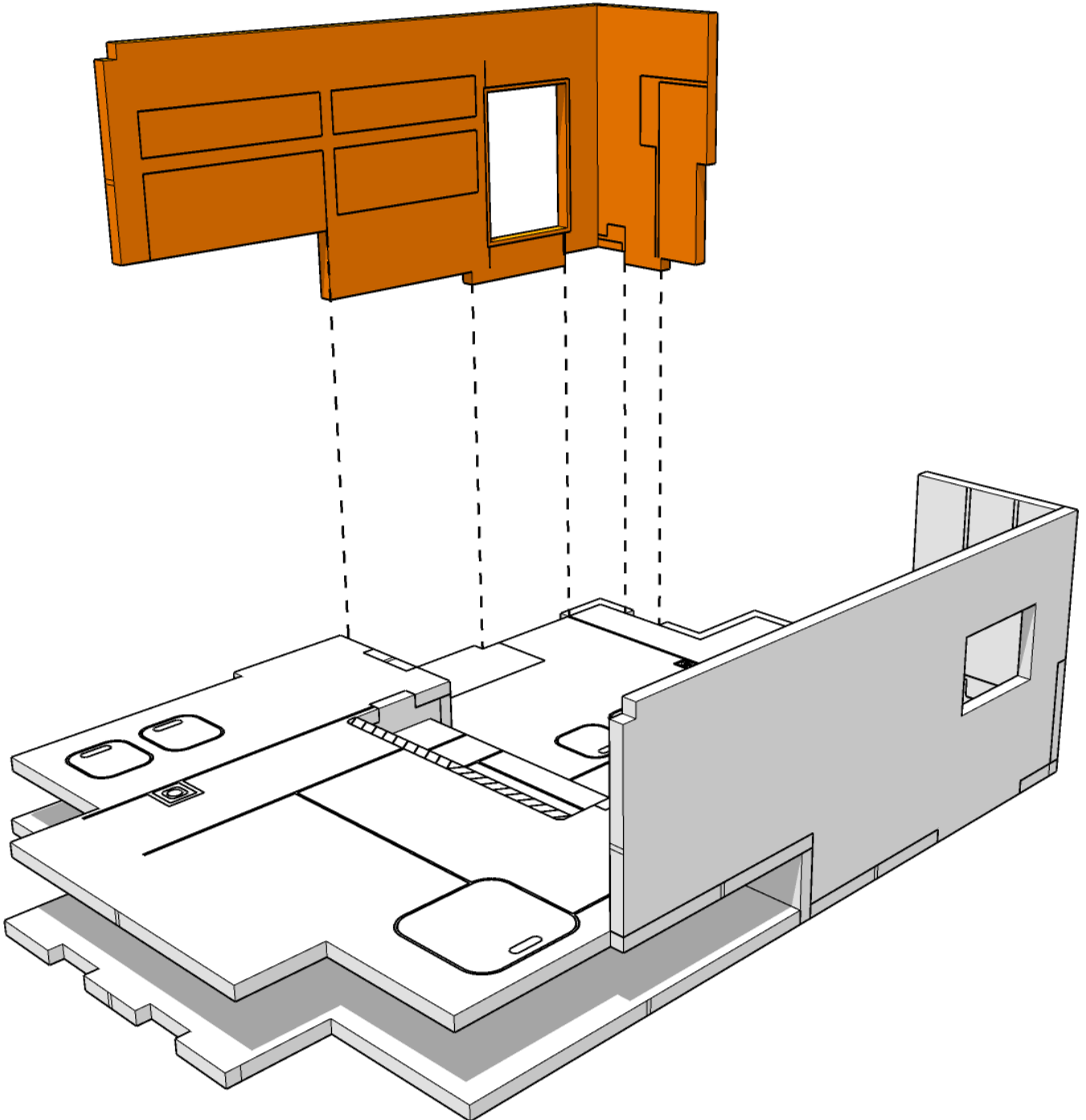




# TABLETOP SCENICS

TTSCW-SFU-153  
QDSC  
Rum Bravo

10

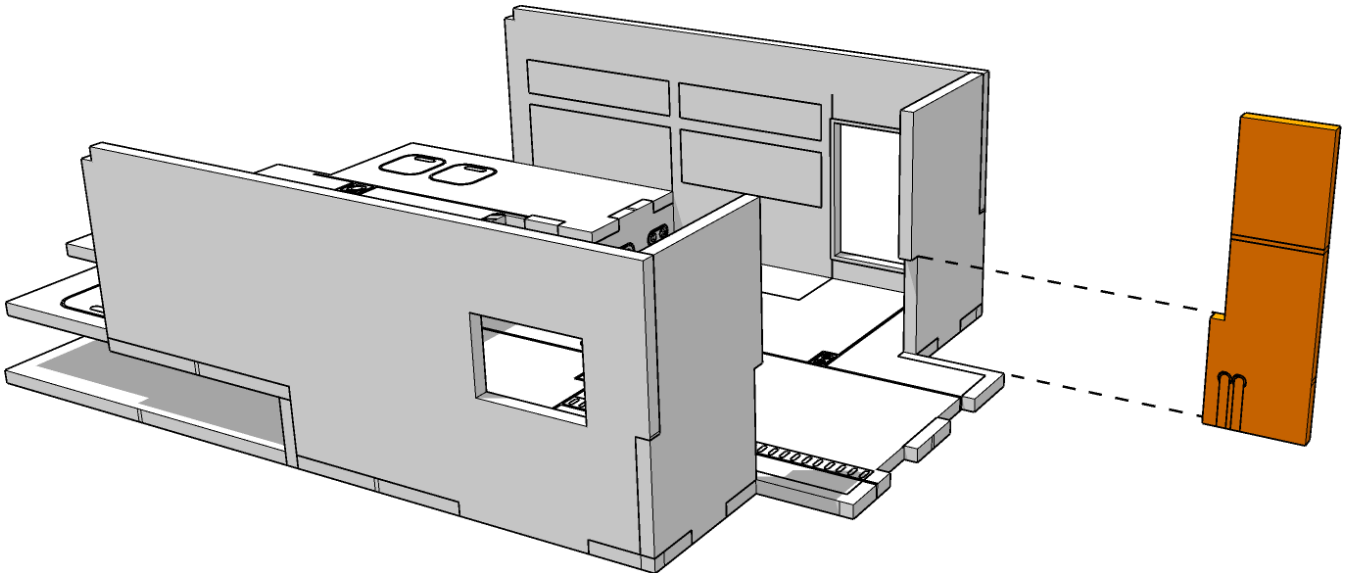




# TABLETOP SCENICS

TTSCW-SFU-153  
QDSC  
Rum Bravo

11

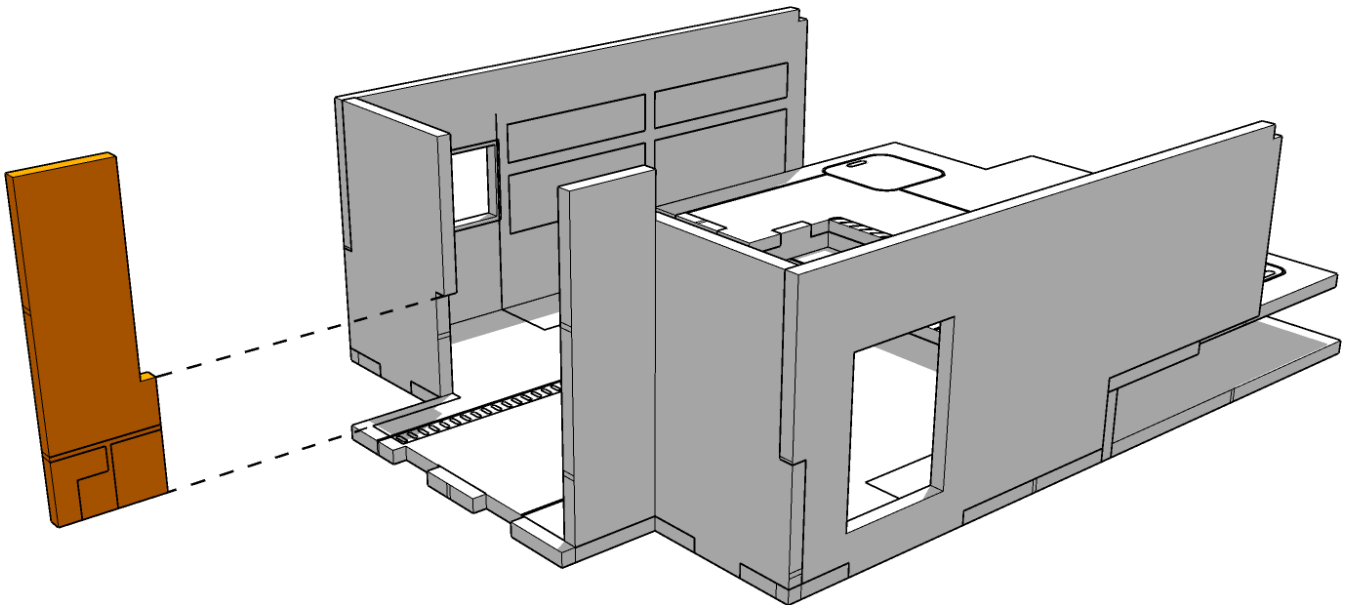




# TABLETOP SCENICS

TTSCW-SFU-153  
QDSC  
Rum Bravo

12

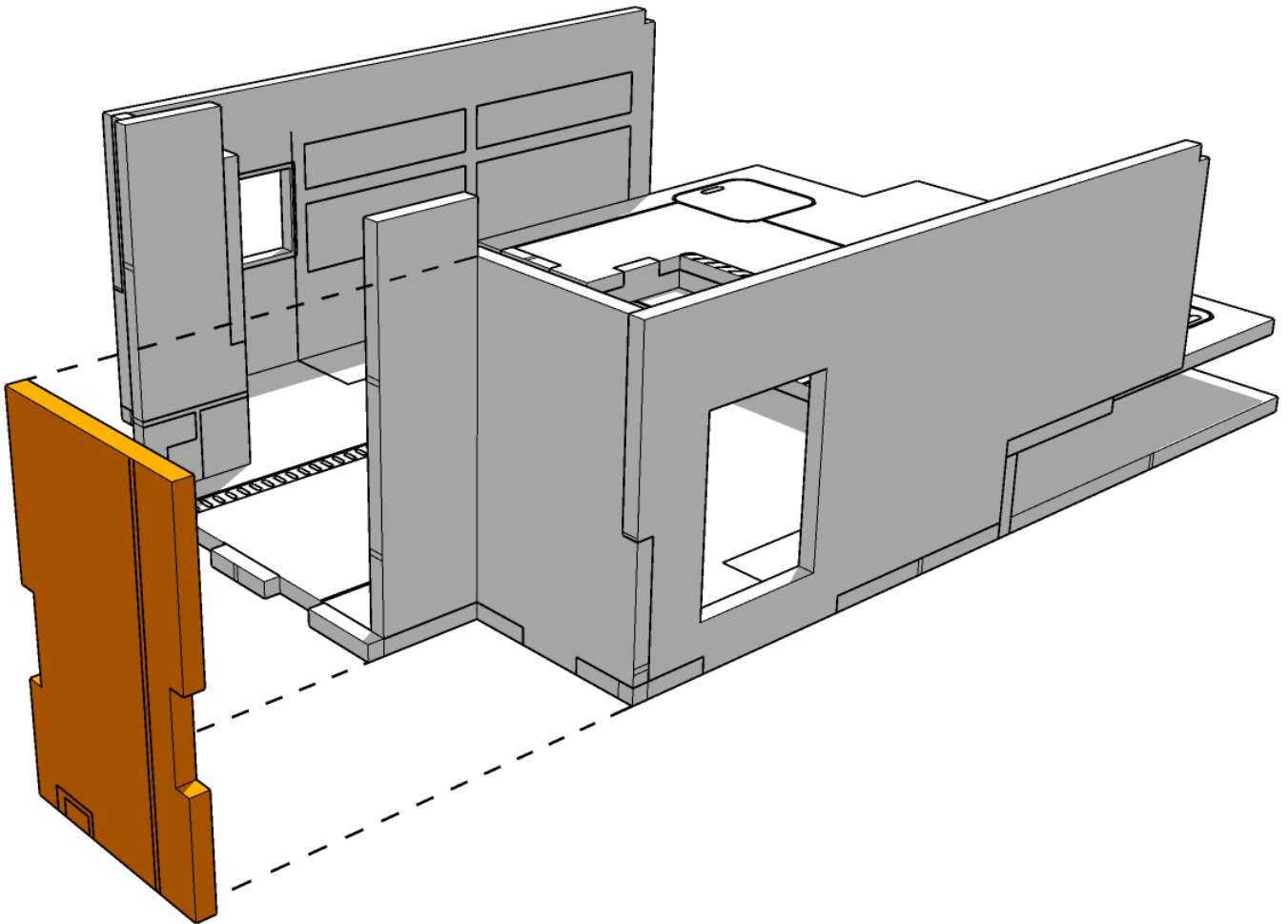




# TABLETOP SCENICS

TTSCW-SFU-153  
QDSC  
Rum Bravo

13

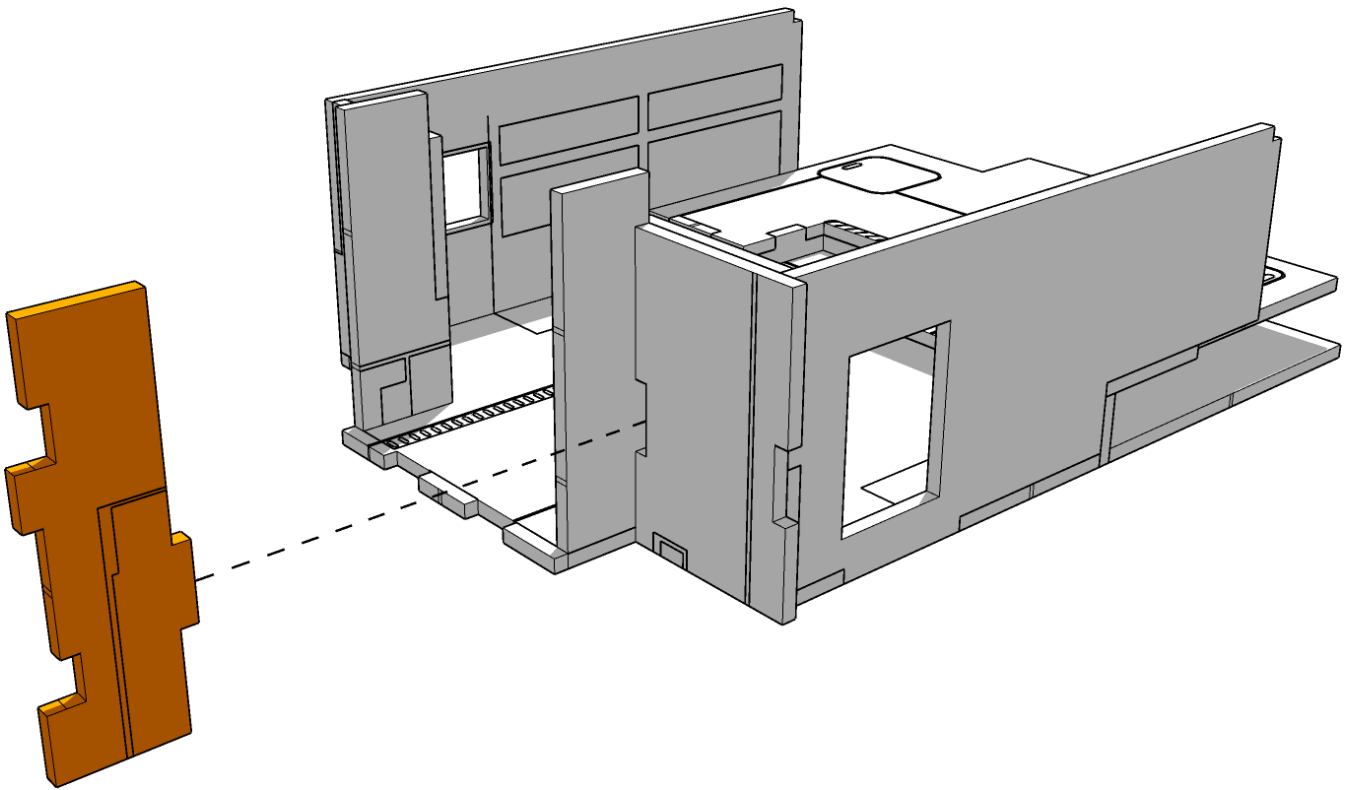




# TABLETOP SCENICS

TTSCW-SFU-153  
QDSC  
Rum Bravo

14

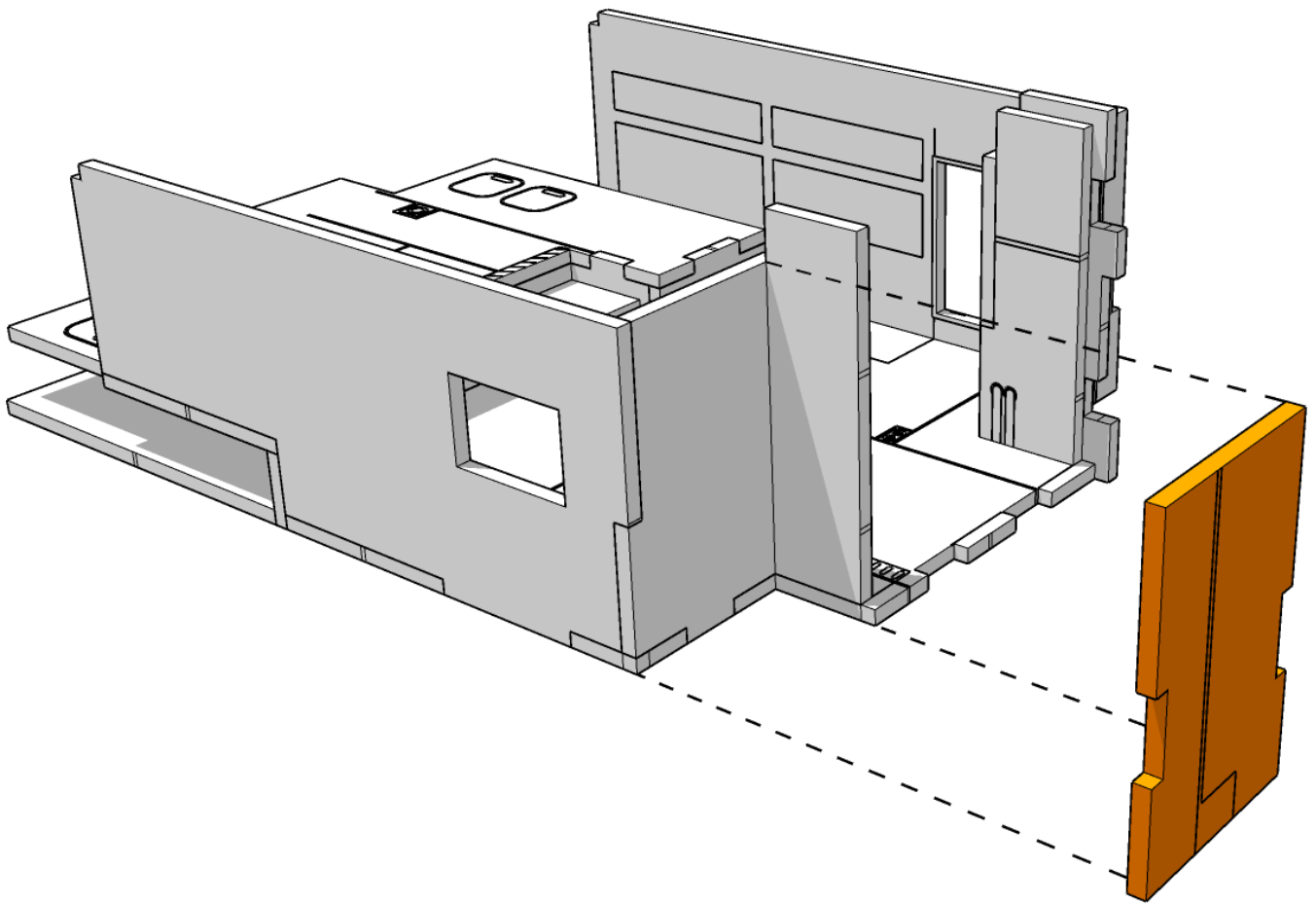




# TABLETOP SCENICS

TTSCW-SFU-153  
QDSC  
Rum Bravo

15

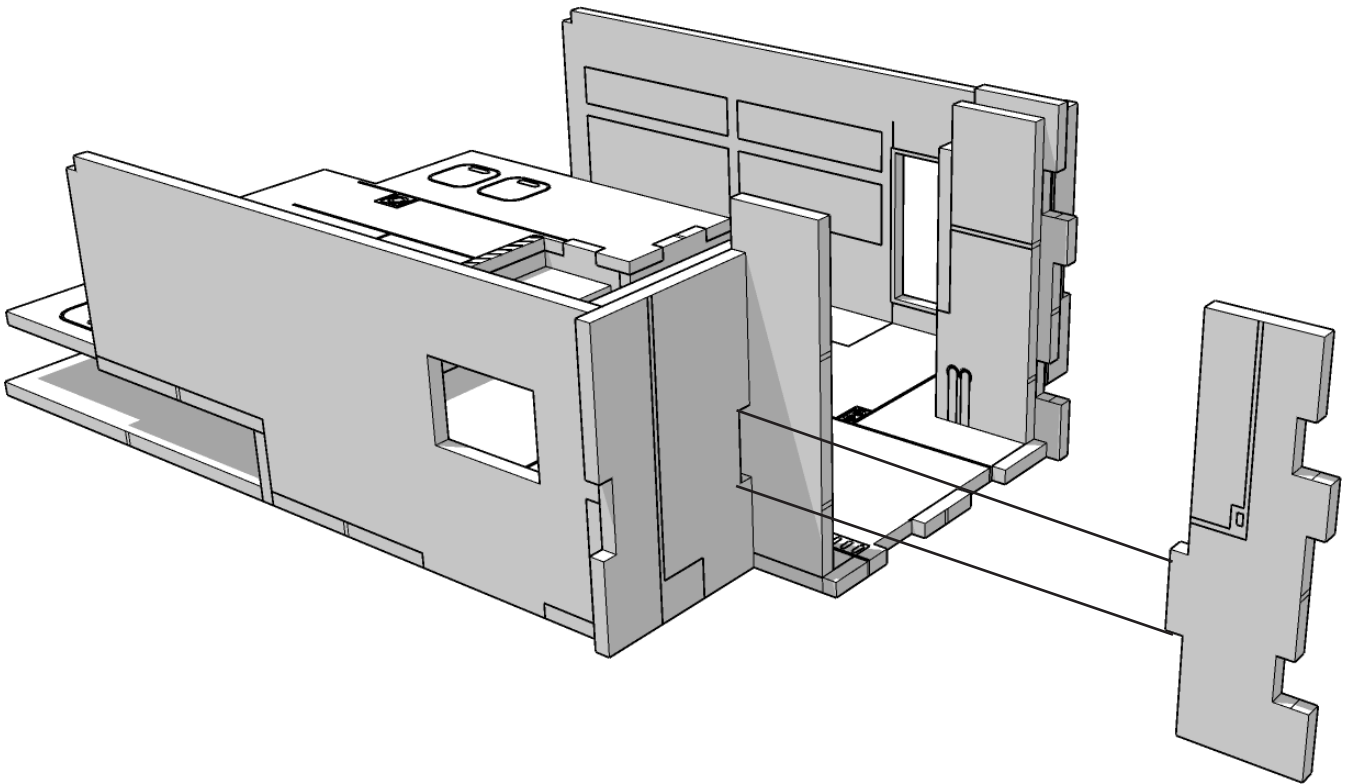




# TABLETOP SCENICS

TTSCW-SFU-153  
QDSC  
Rum Bravo

16



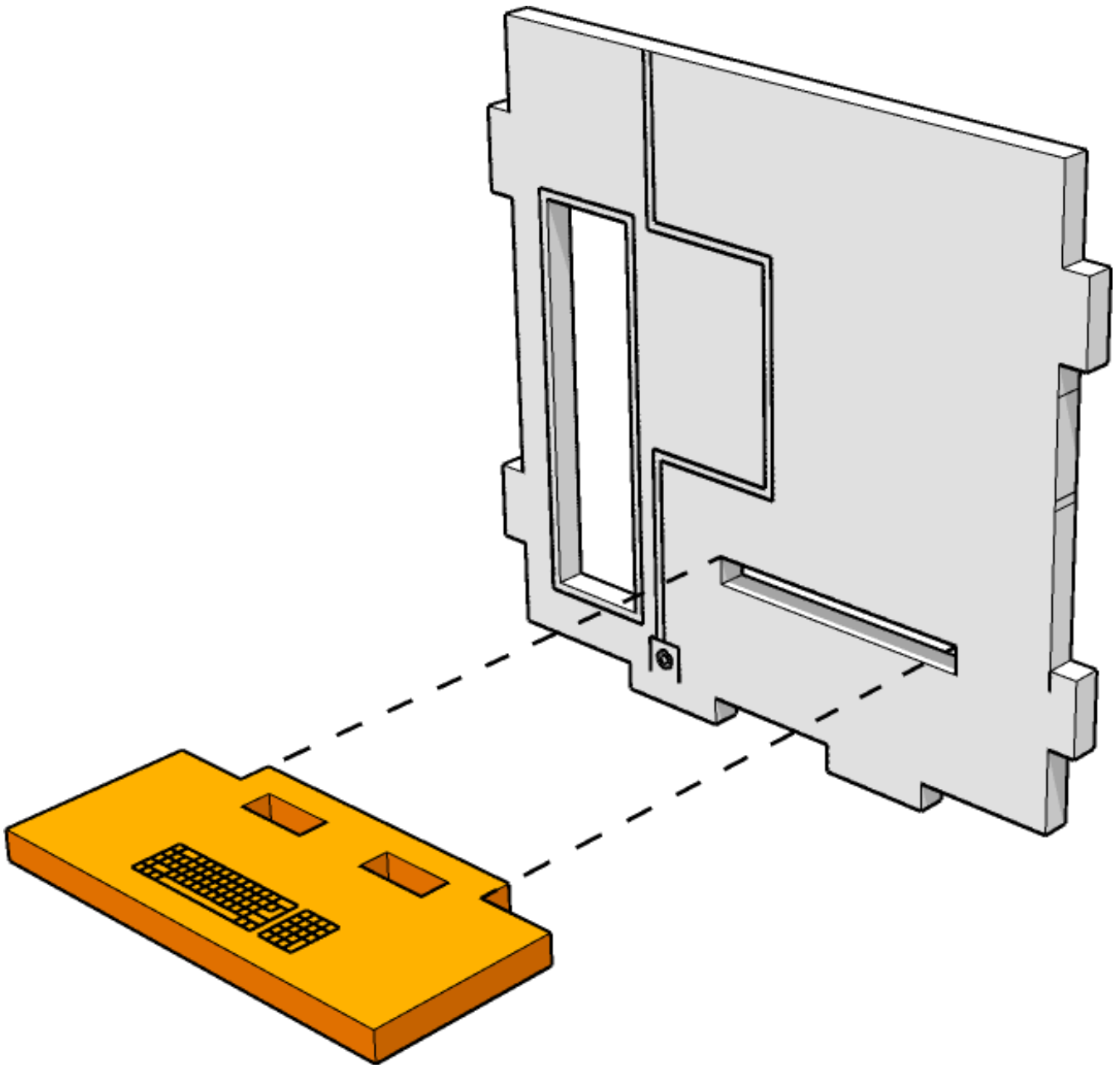




# TABLETOP SCENICS

TTSCW-SFU-153  
QDSC  
Rum Bravo

17

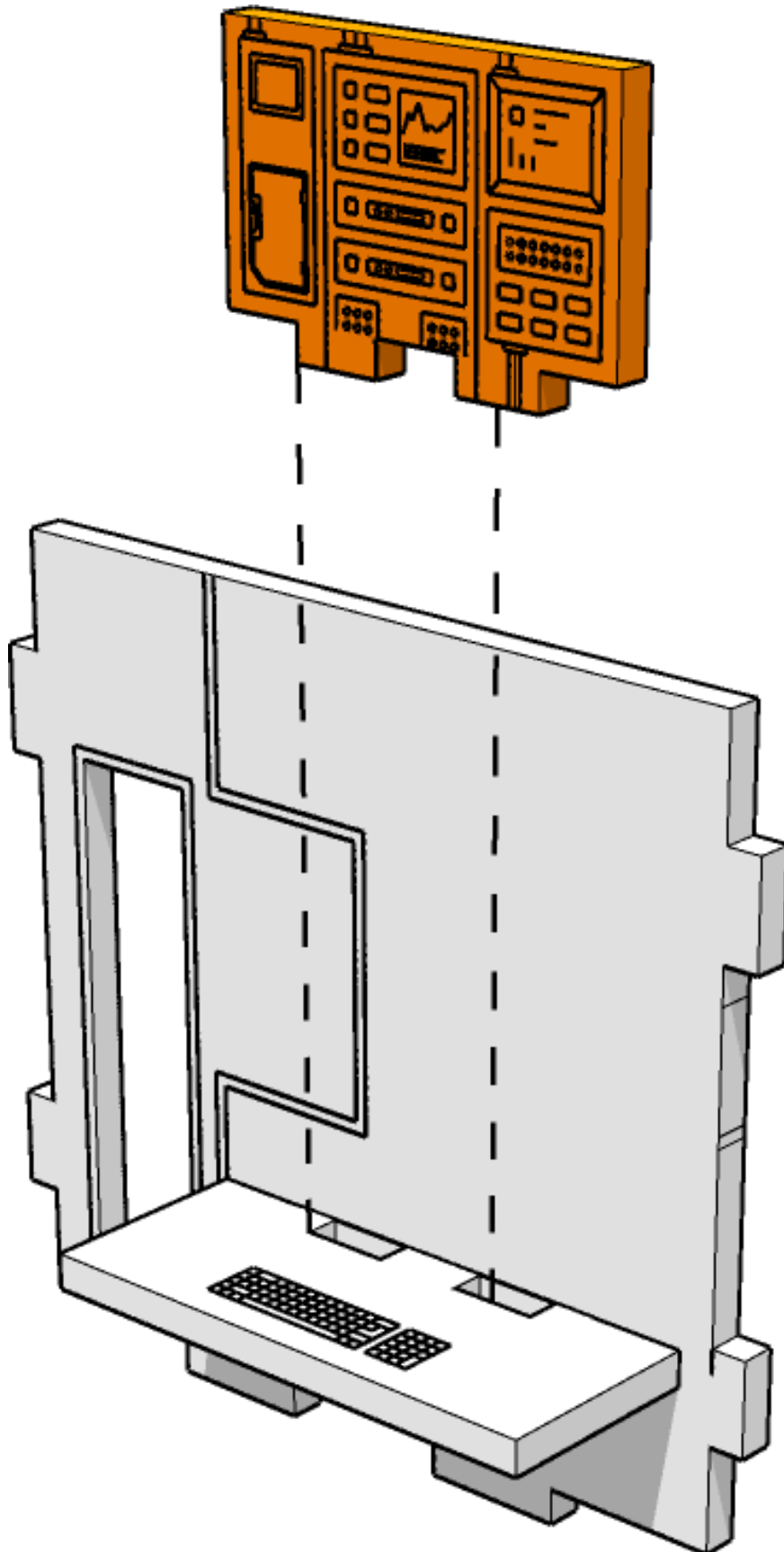




# TABLETOP SCENICS

TTSCW-SFU-153  
QDSC  
Rum Bravo

18

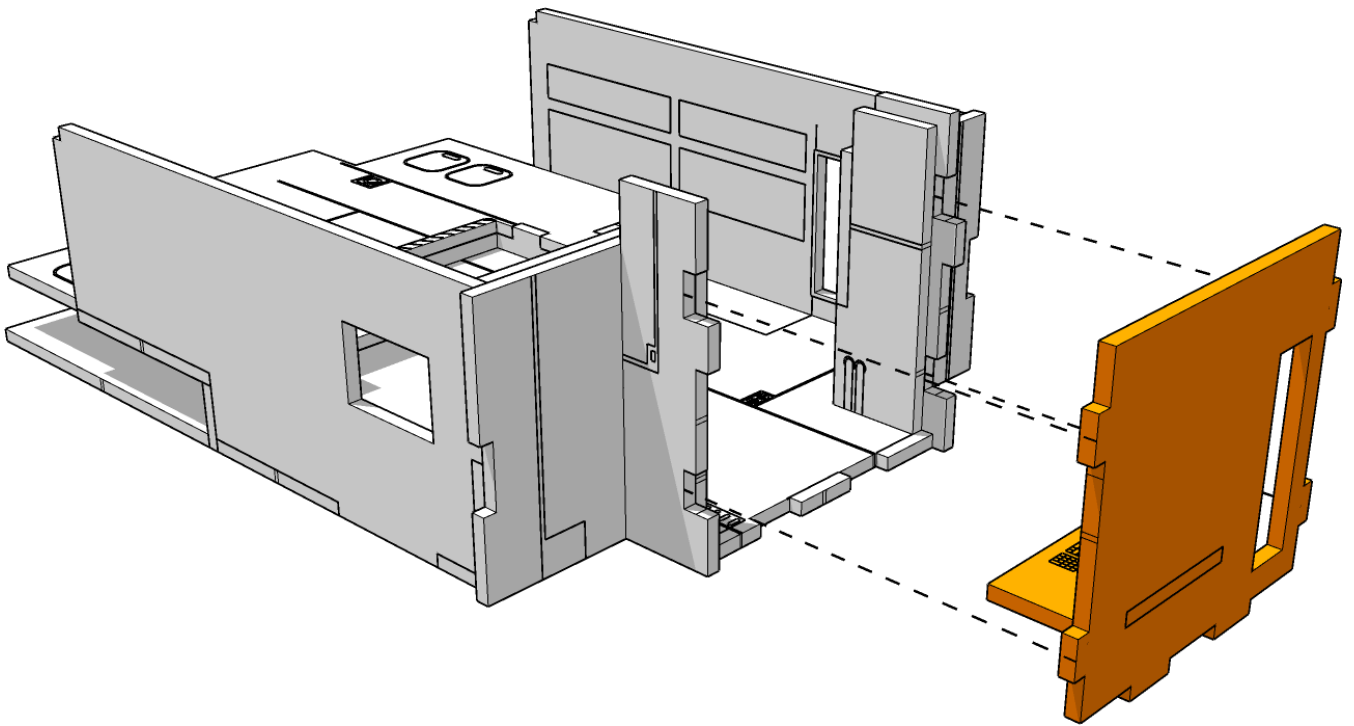




# TABLETOP SCENICS

TTSCW-SFU-153  
QDSC  
Rum Bravo

19

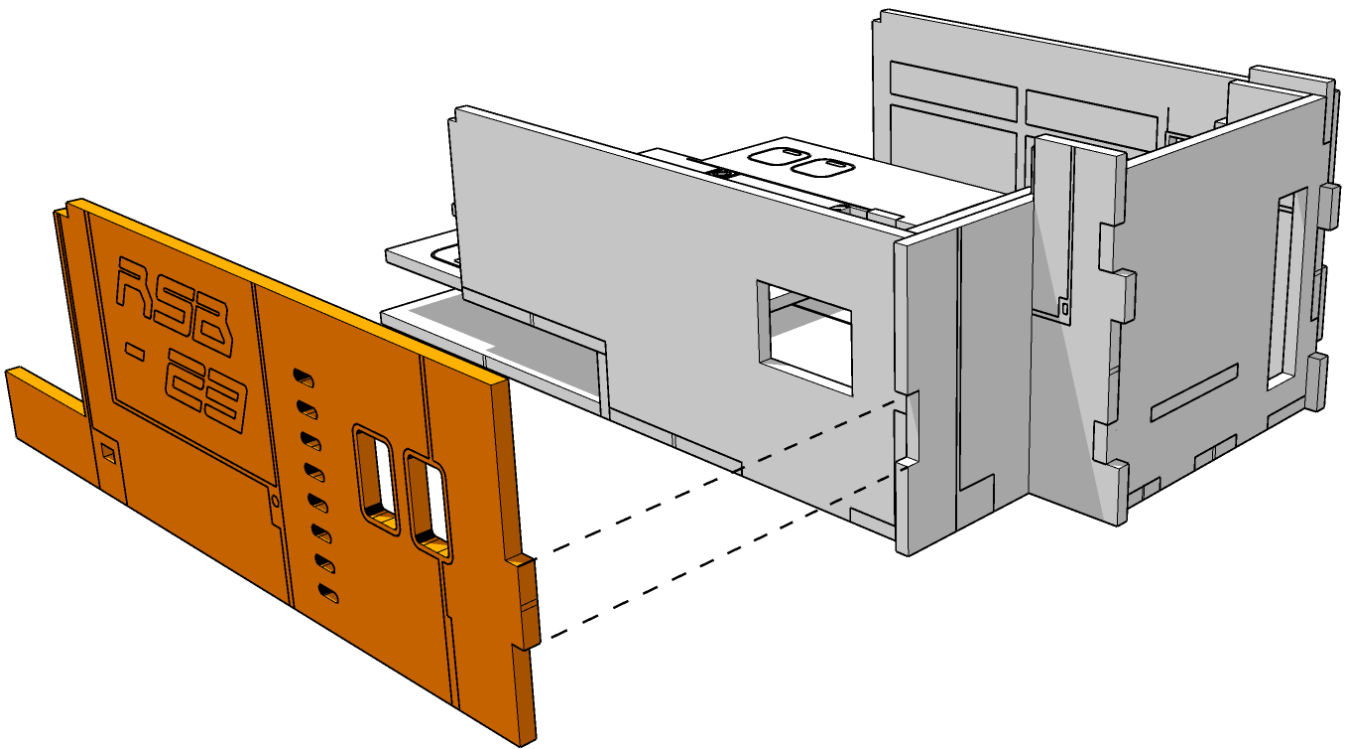




# TABLETOP SCENICS

TTSCW-SFU-153  
QDSC  
Rum Bravo

20

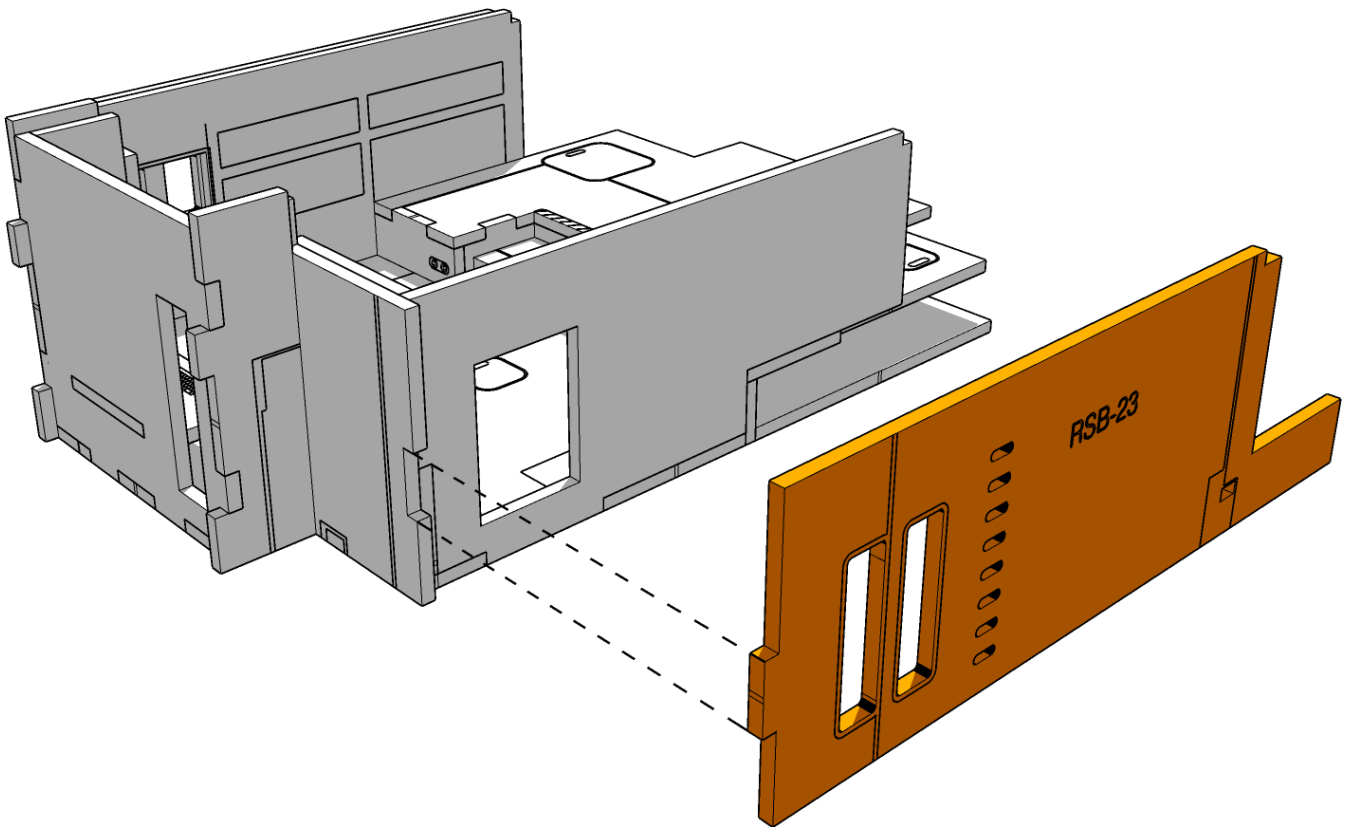




# TABLETOP SCENICS

TTSCW-SFU-153  
QDSC  
Rum Bravo

21

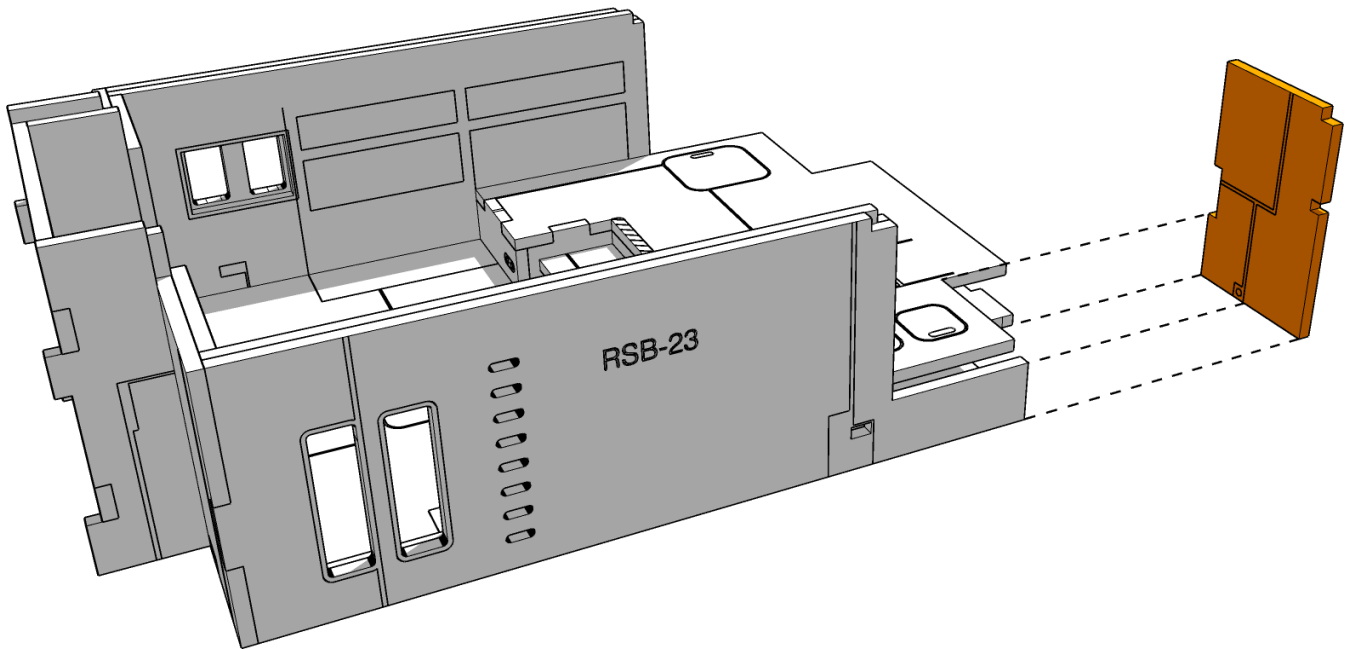




# TABLETOP SCENICS

TTSCW-SFU-153  
QDSC  
Rum Bravo

22

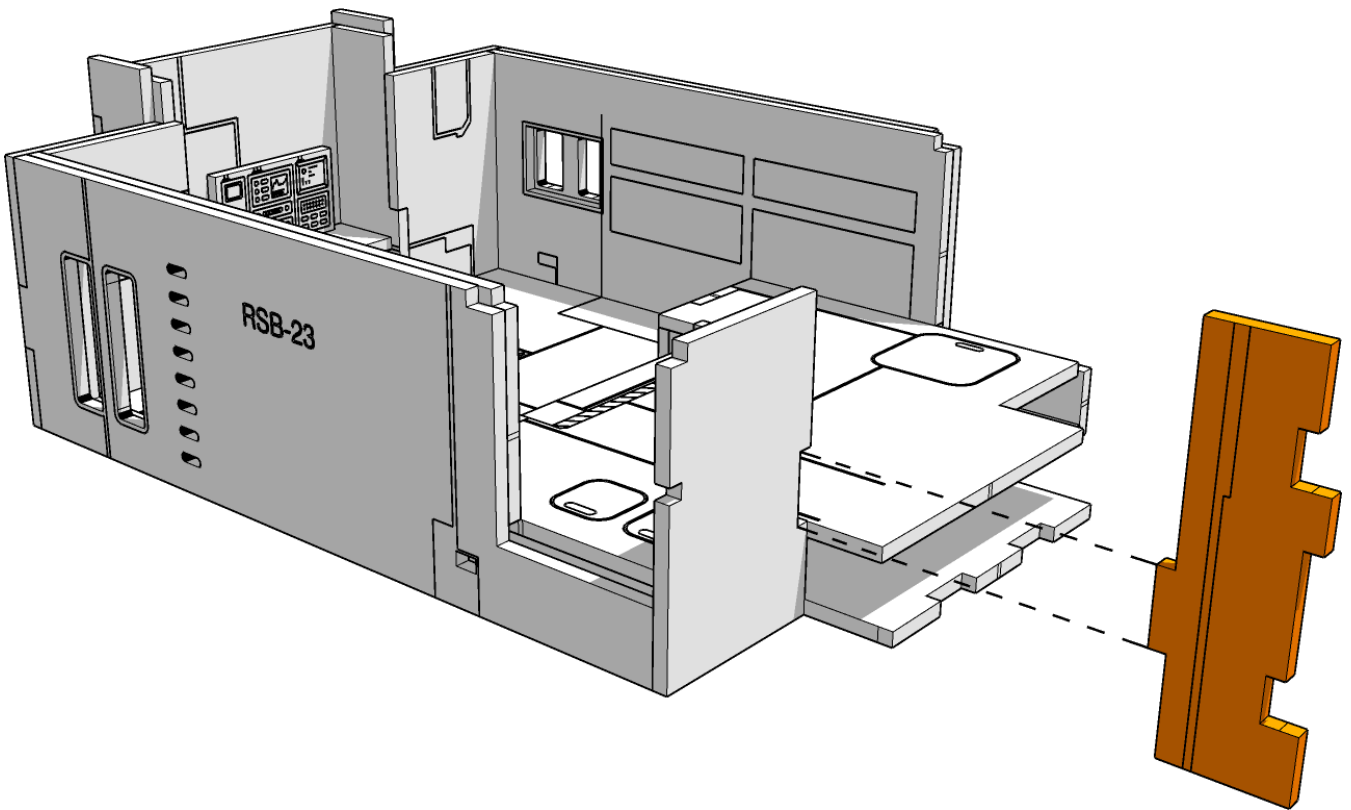




# TABLETOP SCENICS

TTSCW-SFU-153  
QDSC  
Rum Bravo

23

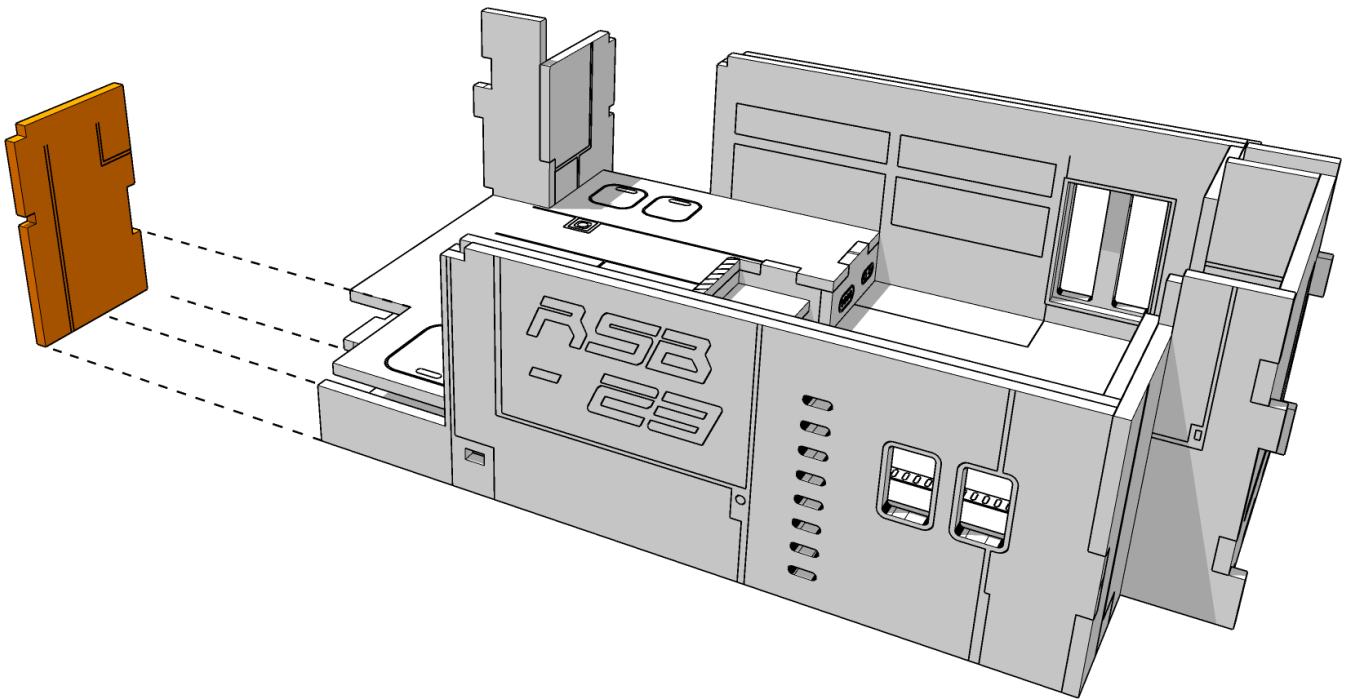




# TABLETOP SCENICS

TTSCW-SFU-153  
QDSC  
Rum Bravo

24



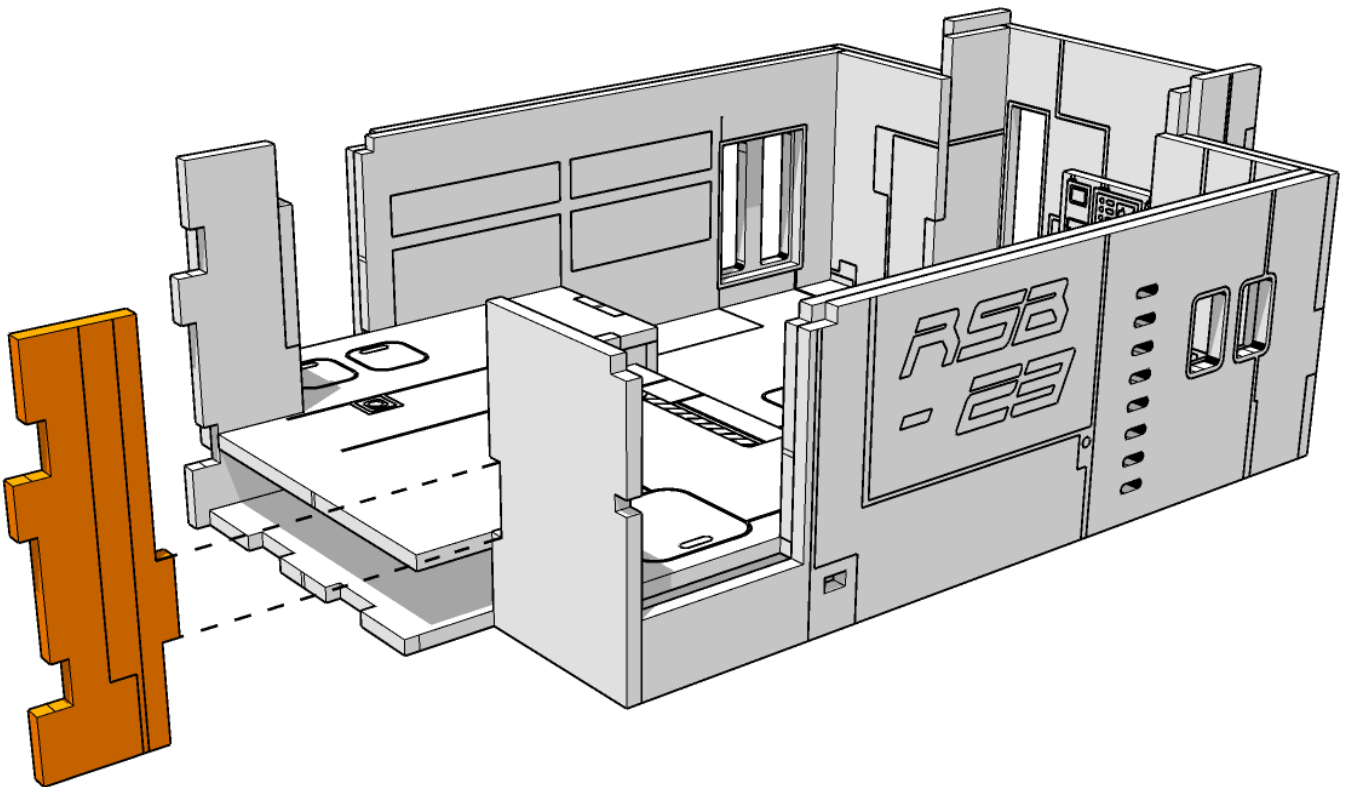




# TABLETOP SCENICS

TTSCW-SFU-153  
QDSC  
Rum Bravo

25

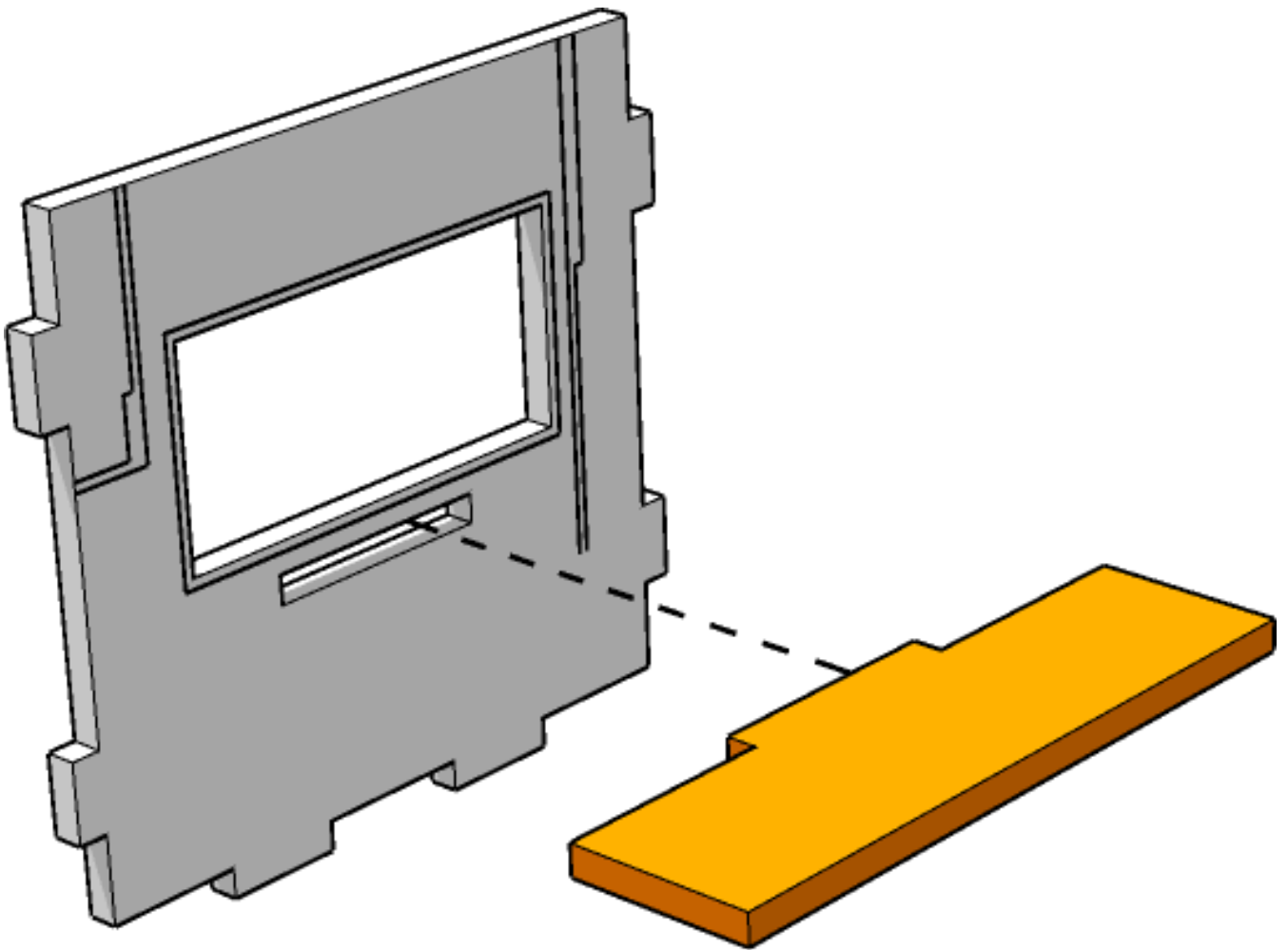




# TABLETOP SCENICS

TTSCW-SFU-153  
QDSC  
Rum Bravo

26

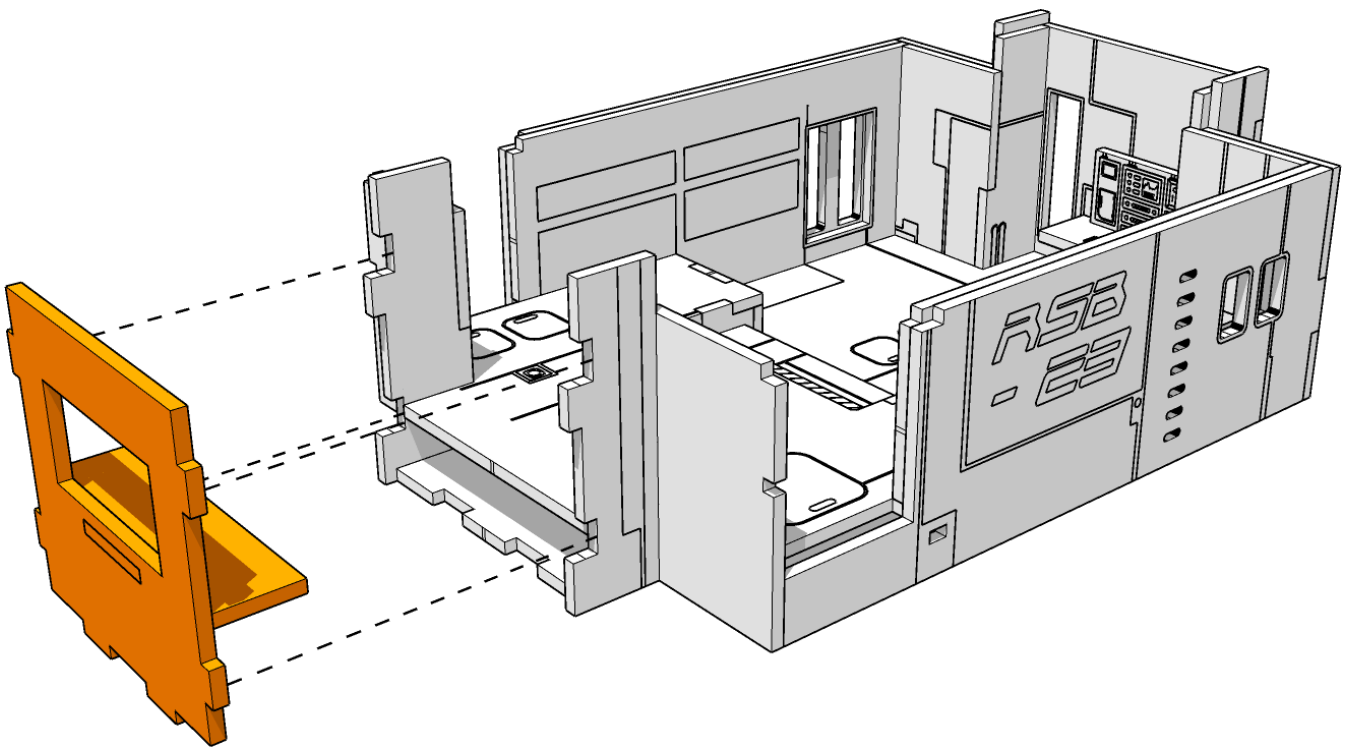




# TABLETOP SCENICS

TTSCW-SFU-153  
QDSC  
Rum Bravo

27

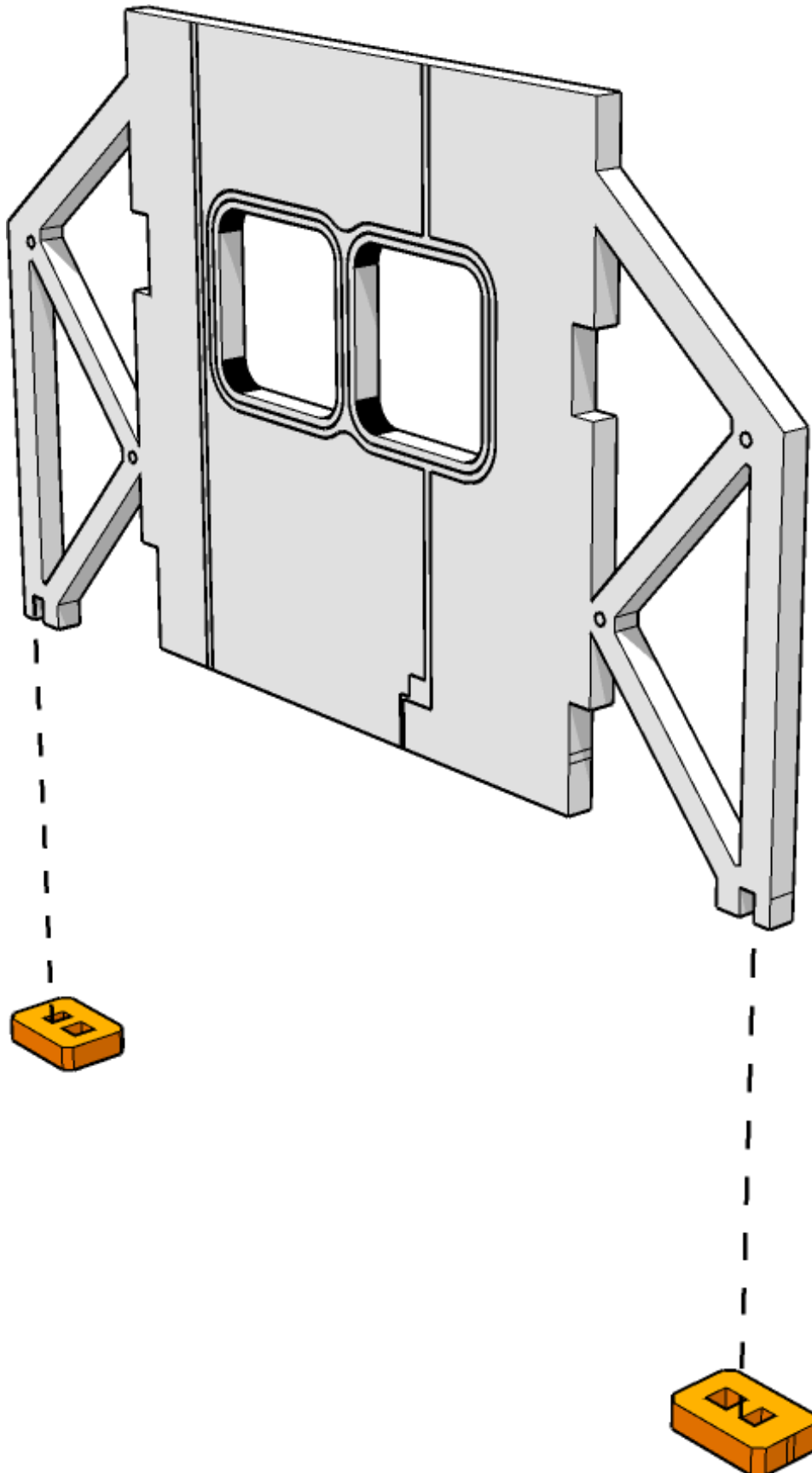




# TABLETOP SCENICS

TTSCW-SFU-153  
QDSC  
Rum Bravo

28

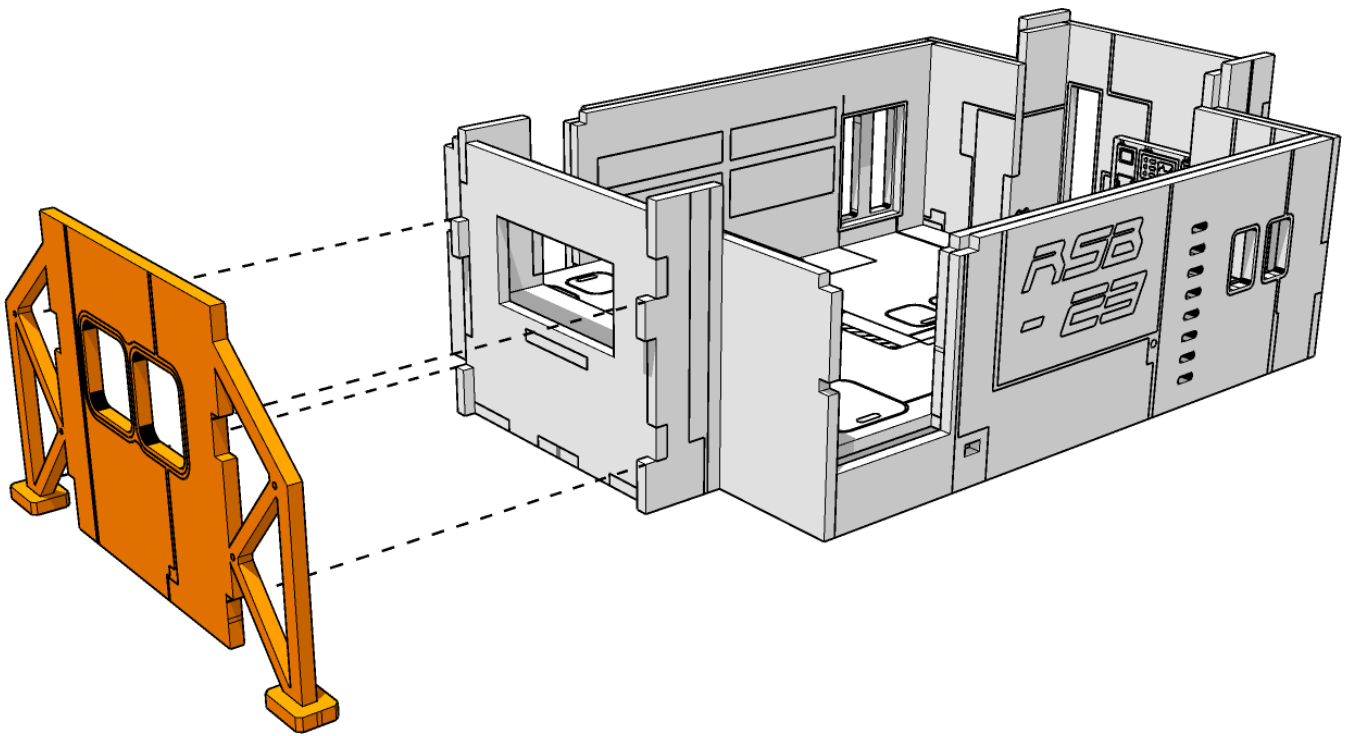




# TABLETOP SCENICS

TTSCW-SFU-153  
QDSC  
Rum Bravo

29

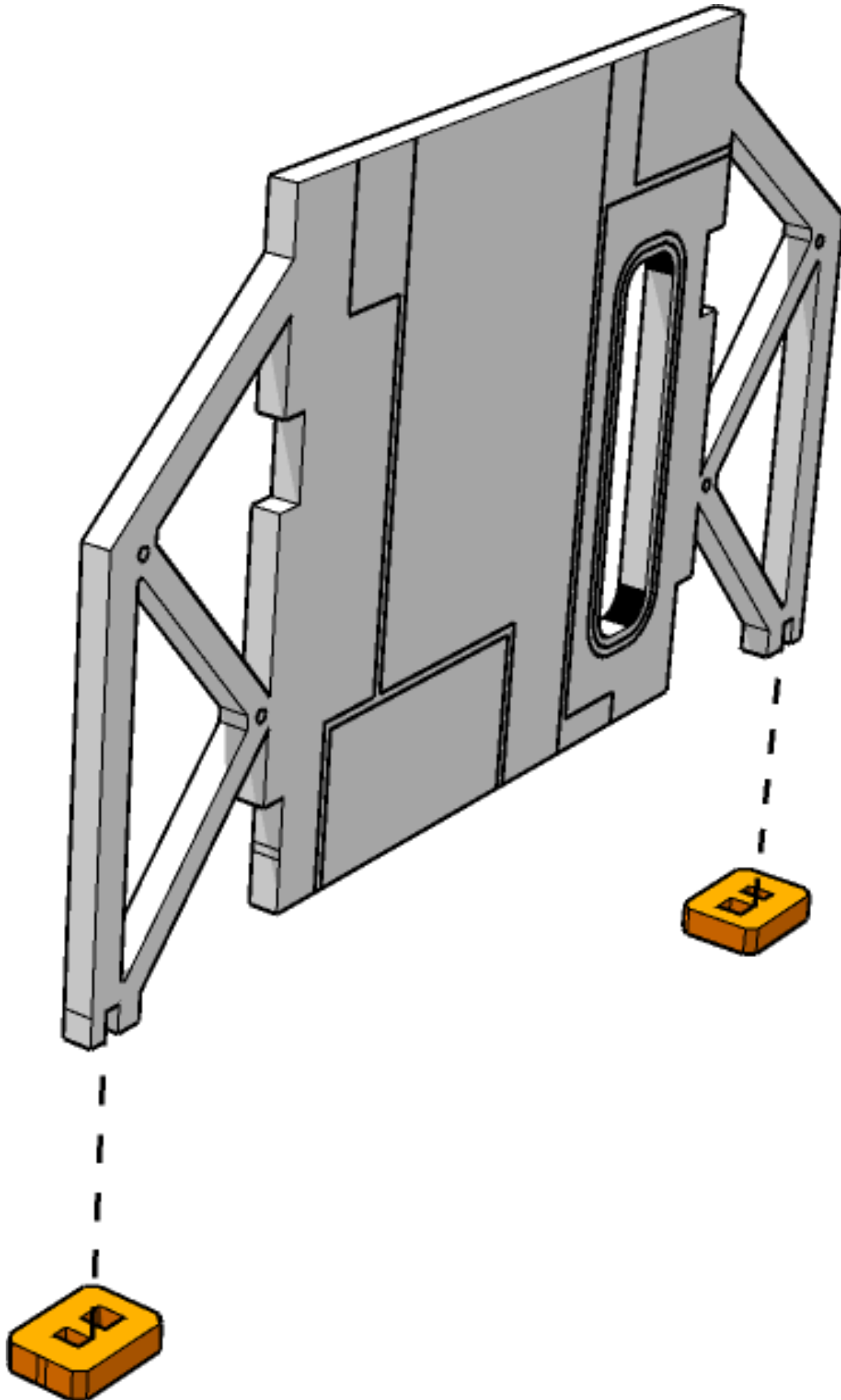




# TABLETOP SCENICS

TTSCW-SFU-153  
QDSC  
Rum Bravo

30

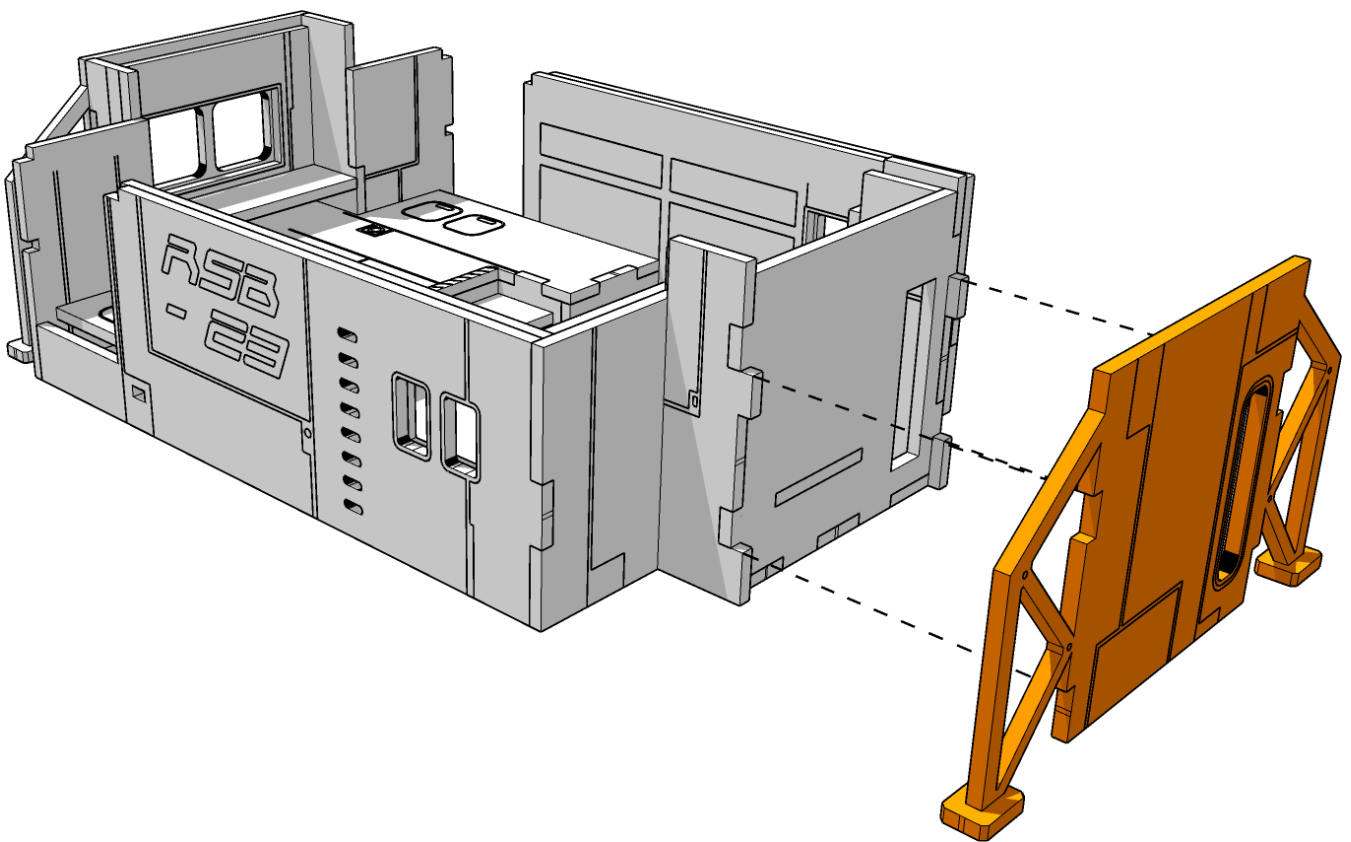




# TABLETOP SCENICS

TTSCW-SFU-153  
QDSC  
Rum Bravo

31

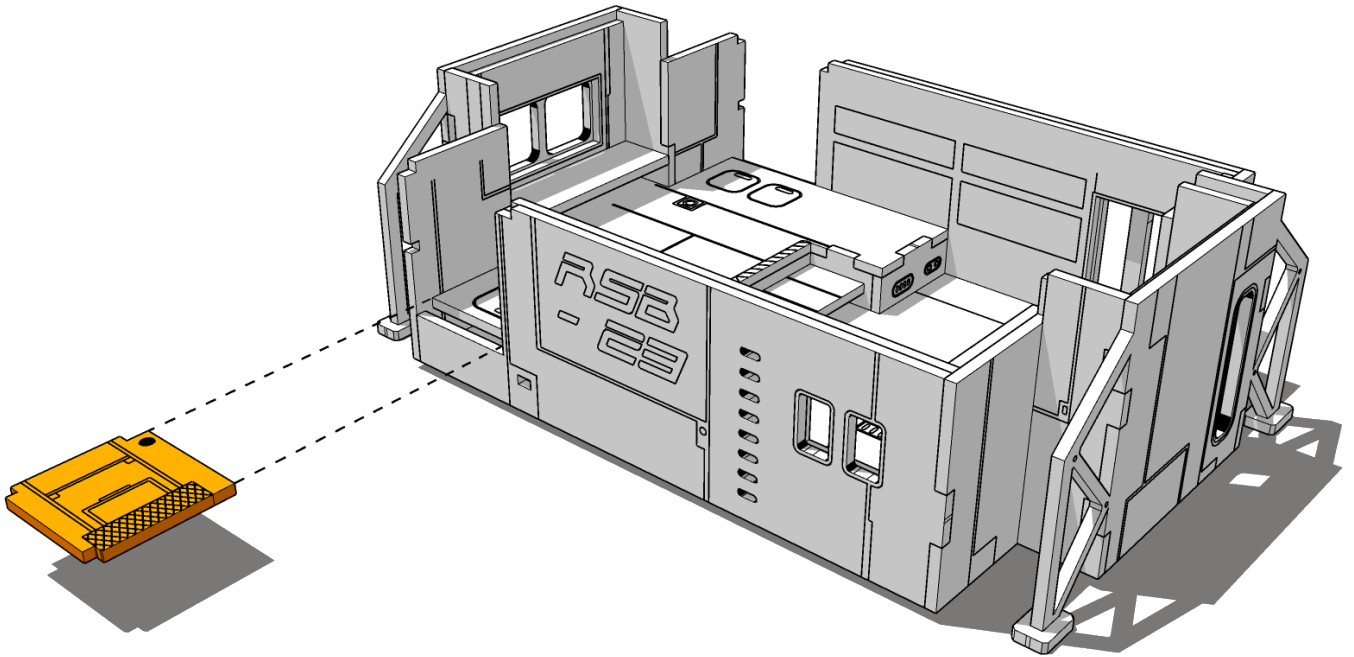




# TABLETOP SCENICS

TTSCW-SFU-153  
QDSC  
Rum Bravo

32



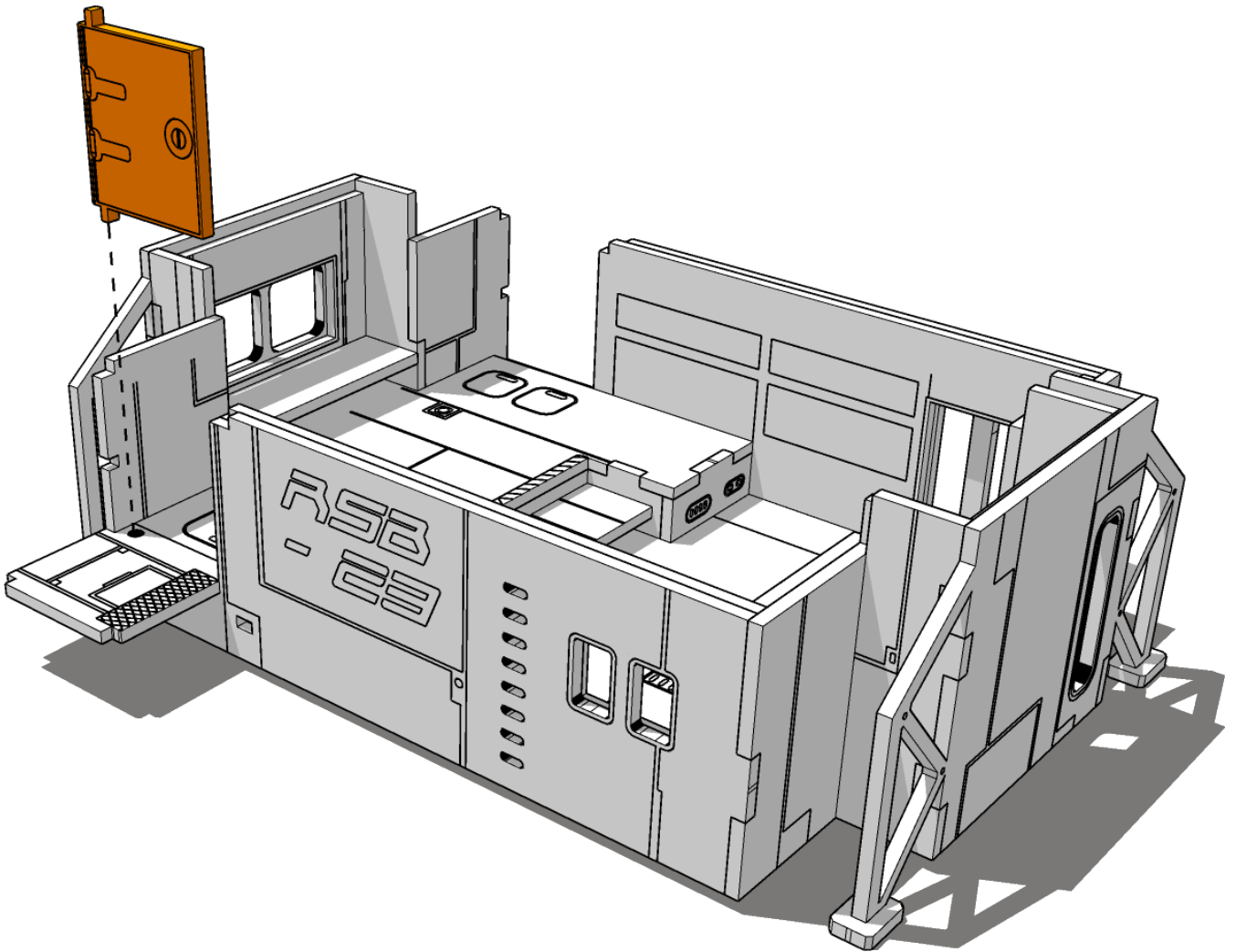




# TABLETOP SCENICS

TTSCW-SFU-153  
QDSC  
Rum Bravo

33



DO NOT GLUE Door, place into  
position only



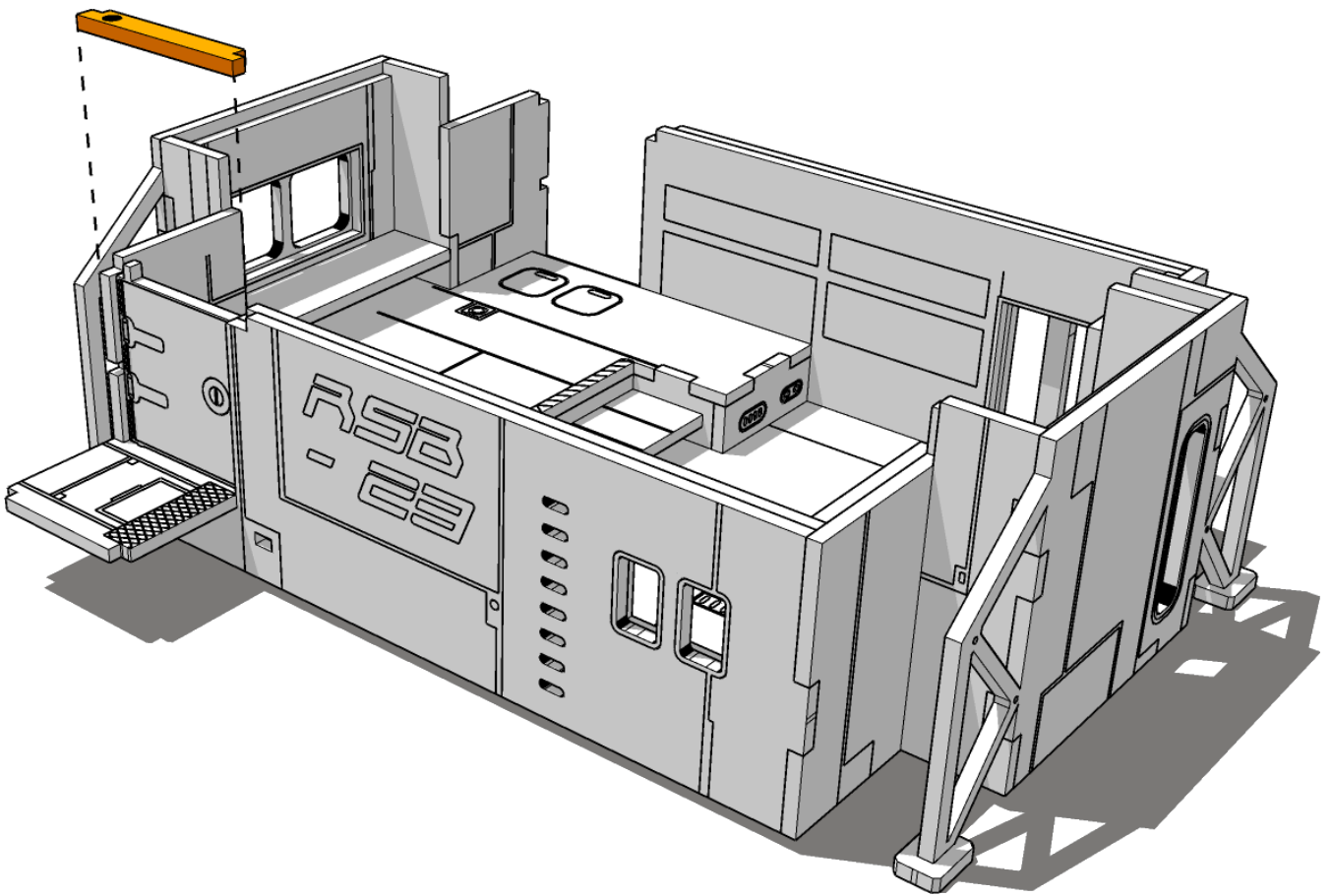
 **TTCOMBAT**



# TABLETOP SCENICS

TTSCW-SFU-153  
QDSC  
Rum Bravo

34



Do not get glue onto the door

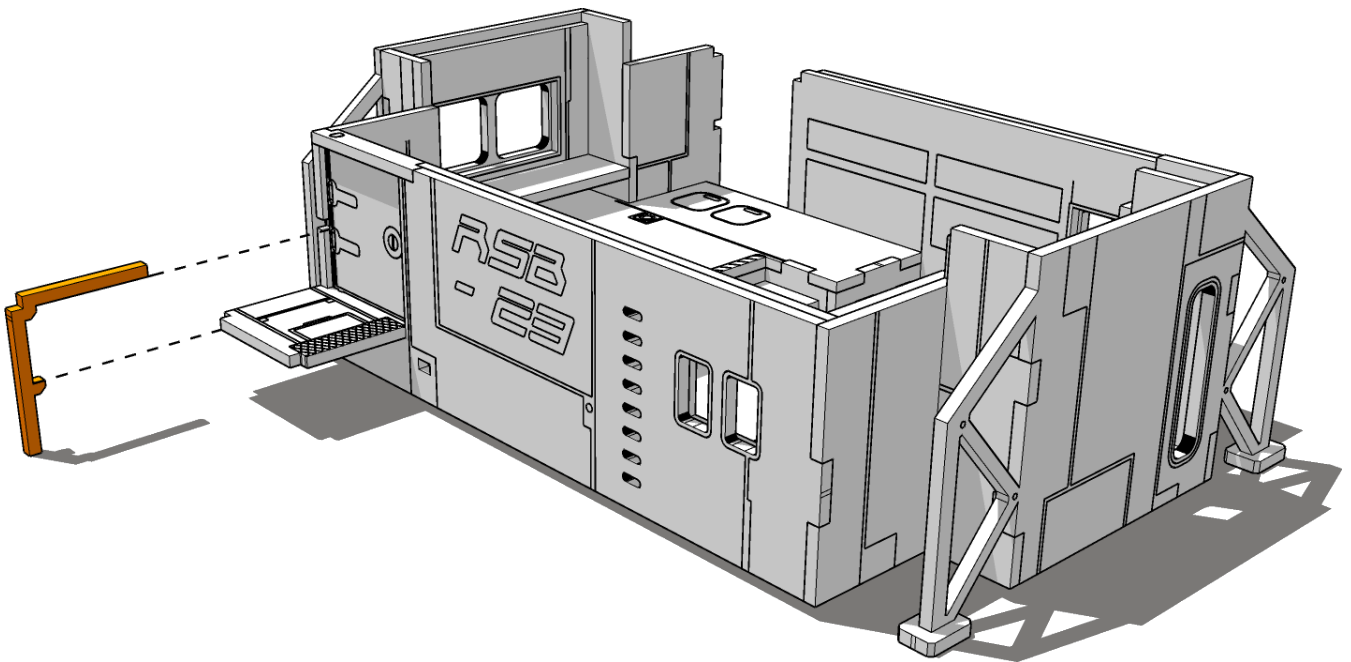




# TABLETOP SCENICS

TTSCW-SFU-153  
QDSC  
Rum Bravo

35

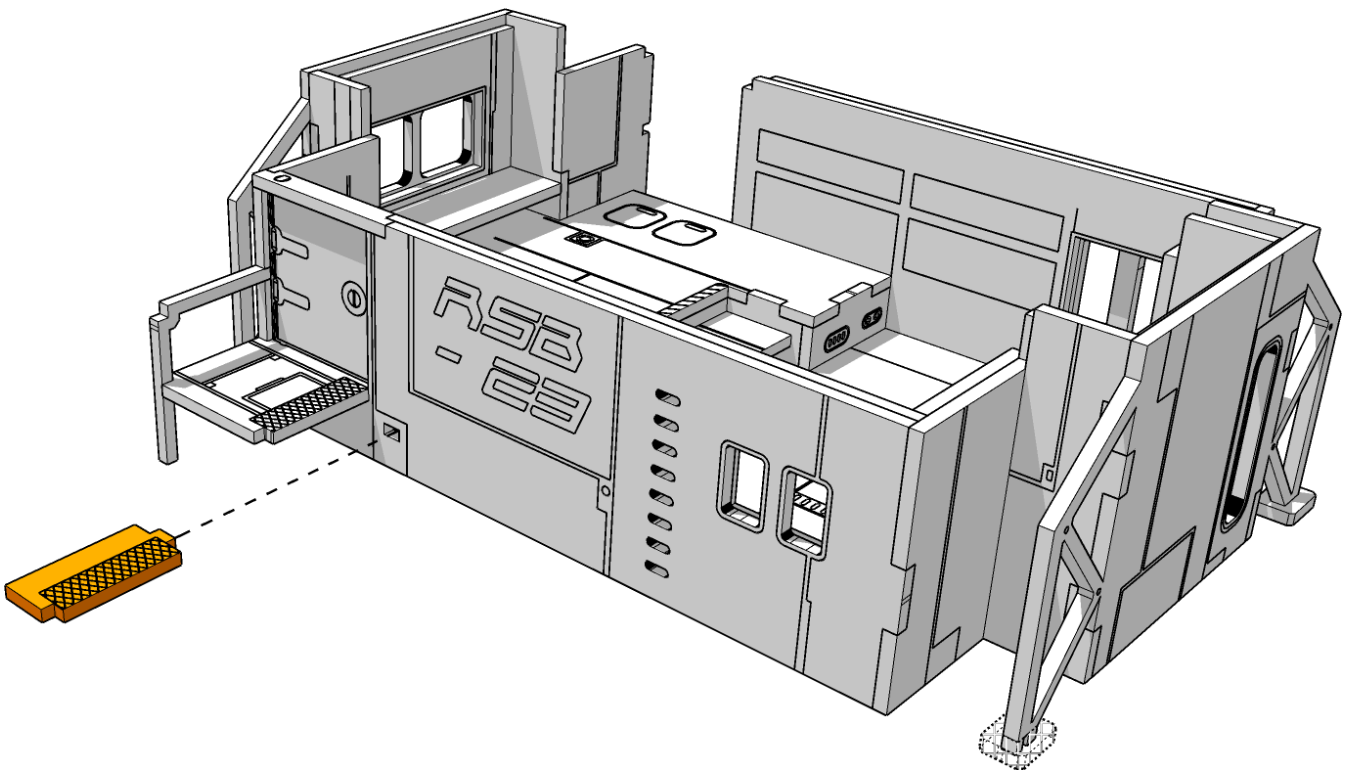




# TABLETOP SCENICS

TTSCW-SFU-153  
QDSC  
Rum Bravo

36

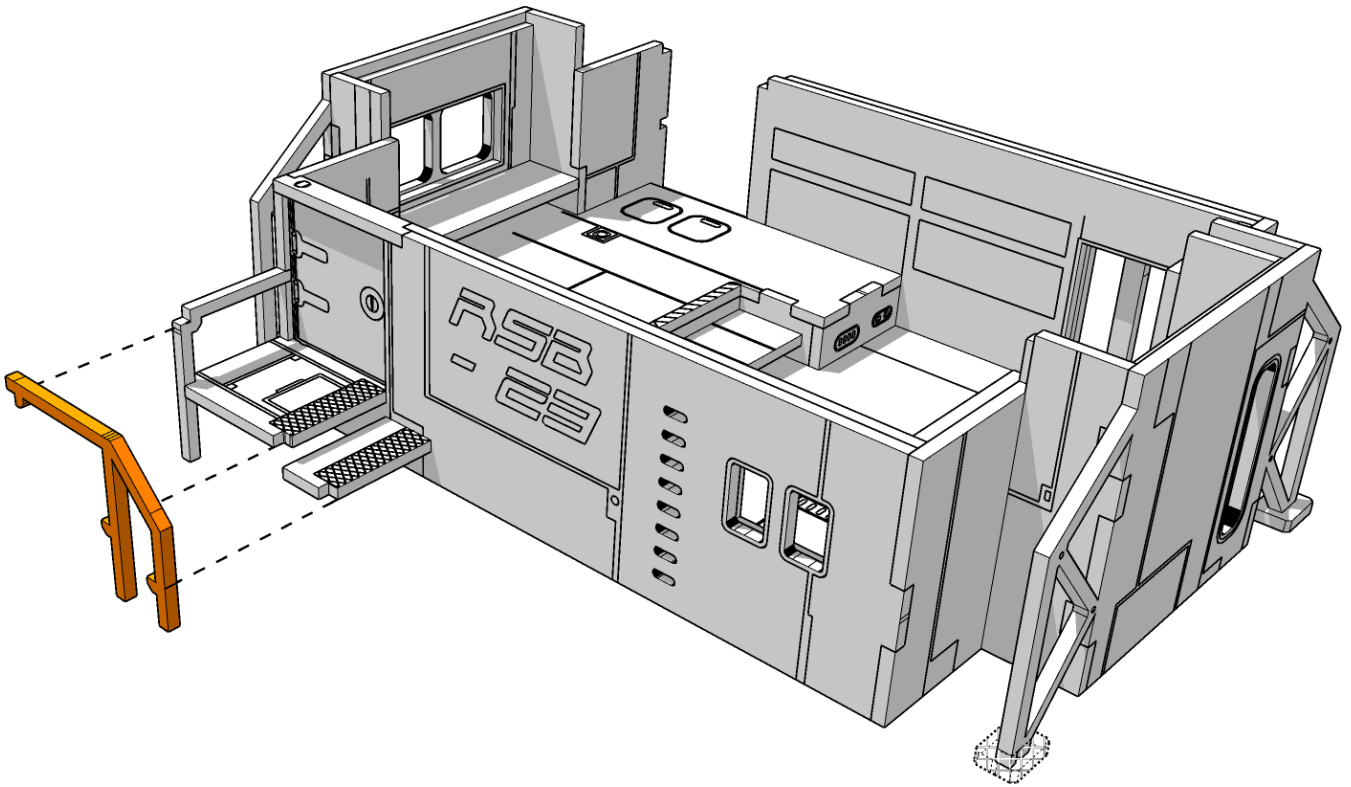




# TABLETOP SCENICS

TTSCW-SFU-153  
QDSC  
Rum Bravo

37

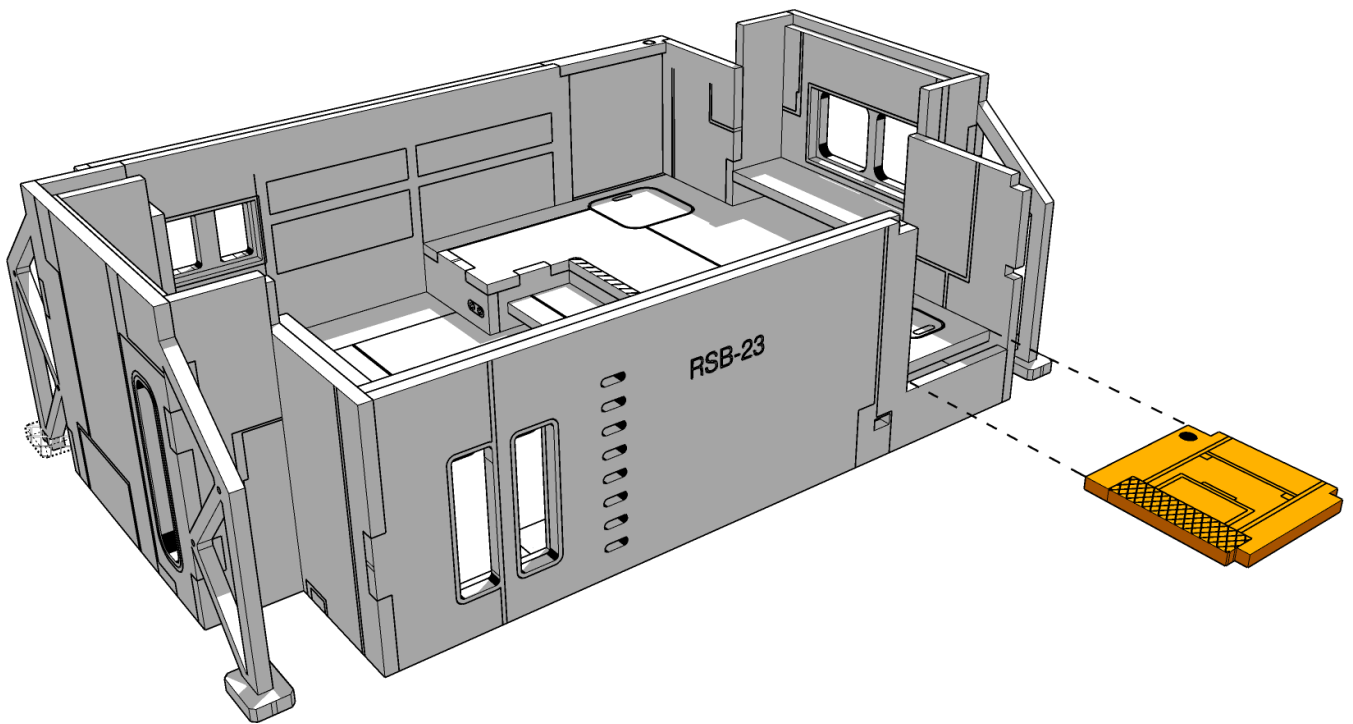




# TABLETOP SCENICS

TTSCW-SFU-153  
QDSC  
Rum Bravo

38

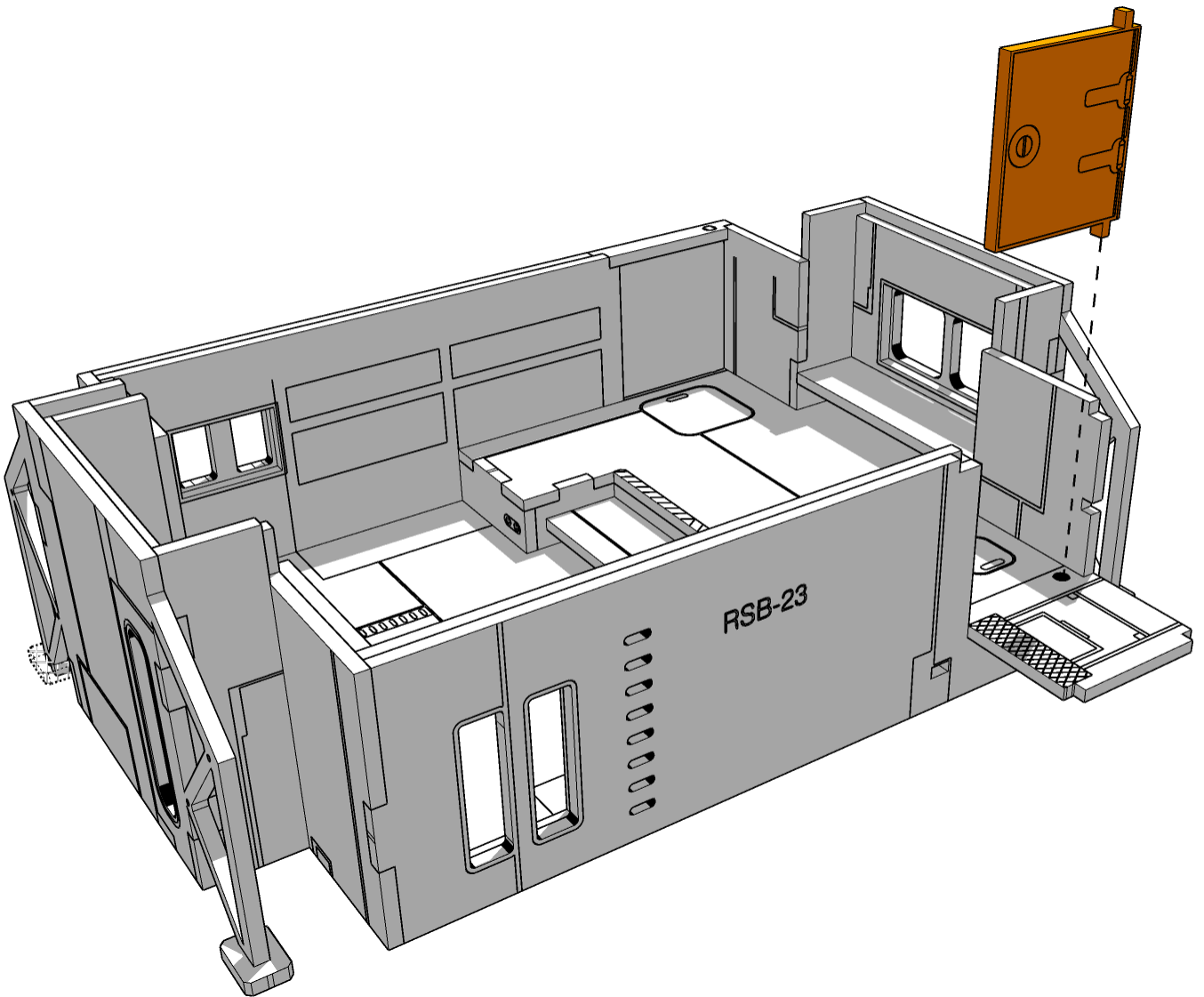




# TABLETOP SCENICS

TTSCW-SFU-153  
QDSC  
Rum Bravo

39



DO NOT GLUE DOOR, position  
only

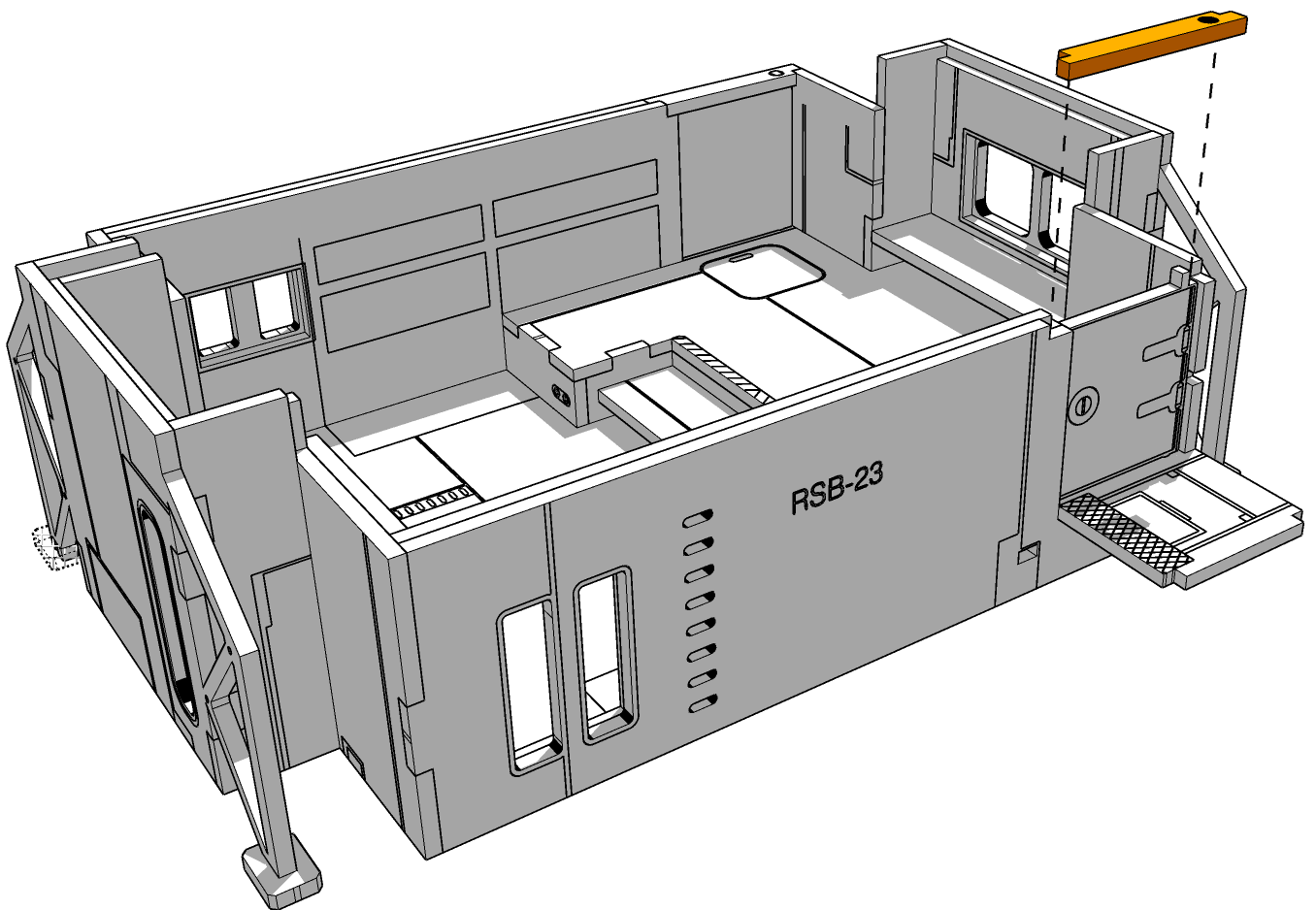




# TABLETOP SCENICS

TTSCW-SFU-153  
QDSC  
Rum Bravo

40



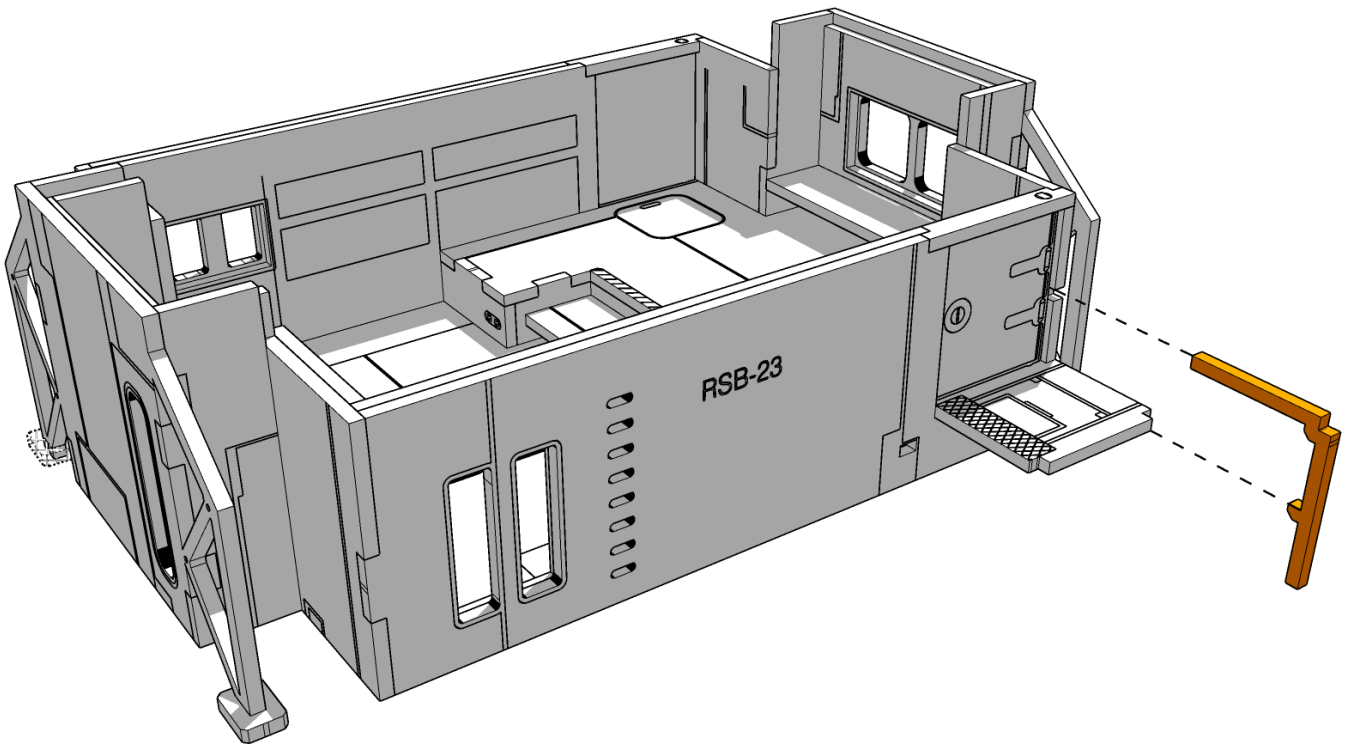




# TABLETOP SCENICS

TTSCW-SFU-153  
QDSC  
Rum Bravo

41

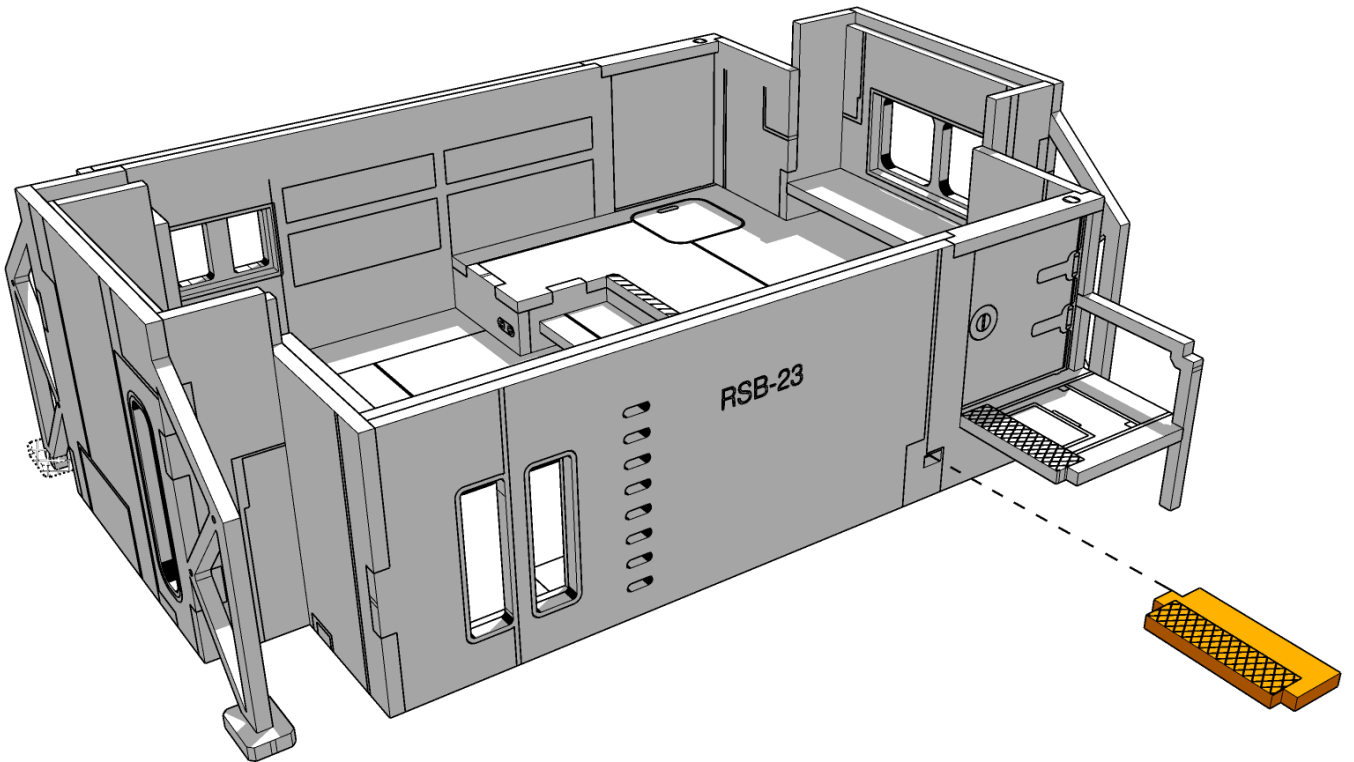




# TABLETOP SCENICS

TTSCW-SFU-153  
QDSC  
Rum Bravo

42

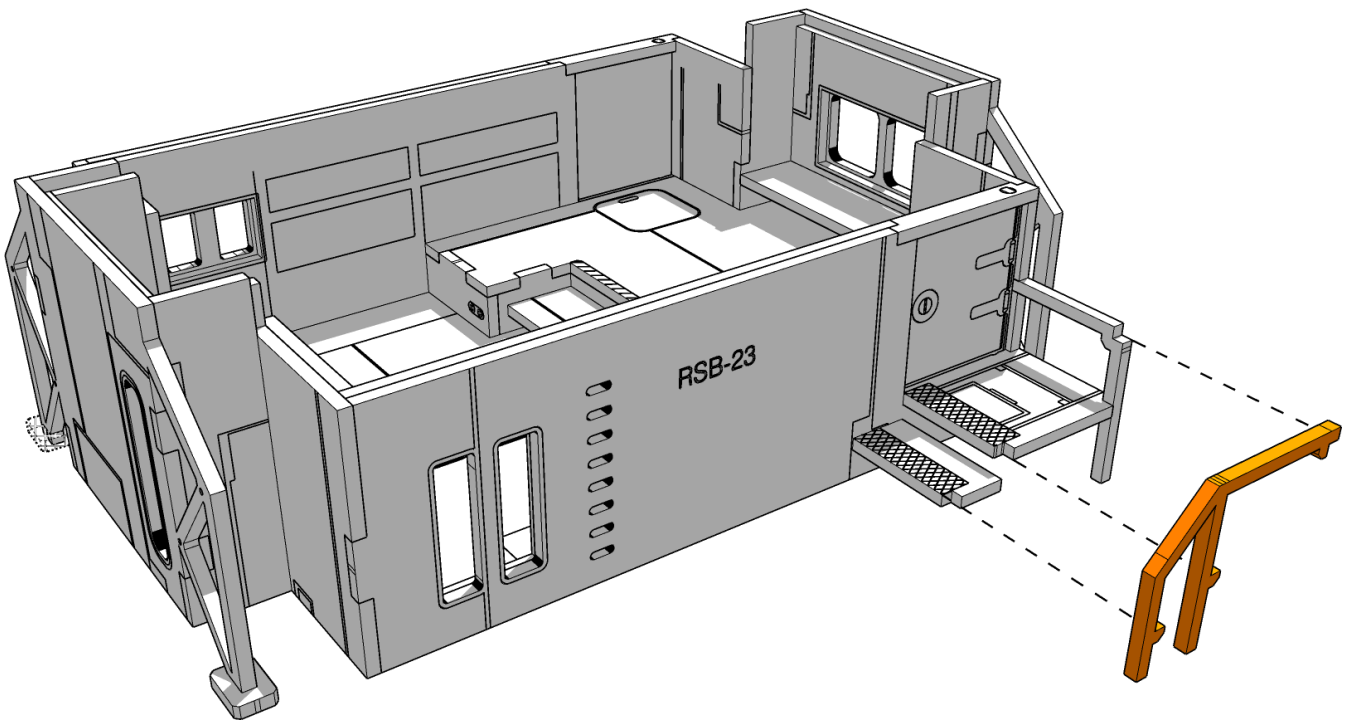




# TABLETOP SCENICS

TTSCW-SFU-153  
QDSC  
Rum Bravo

43

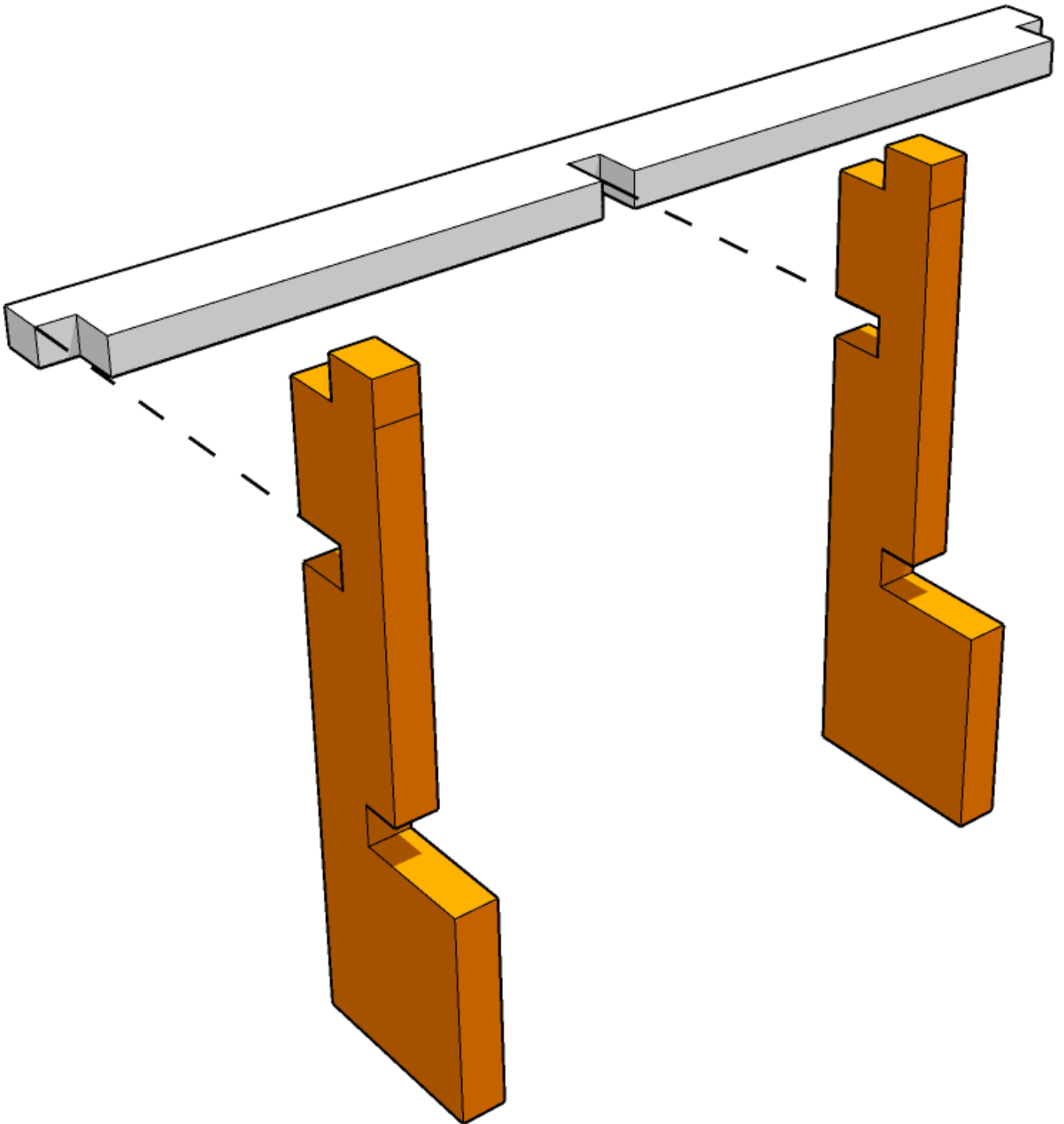




# TABLETOP SCENICS

TTSCW-SFU-153  
QDSC  
Rum Bravo

44

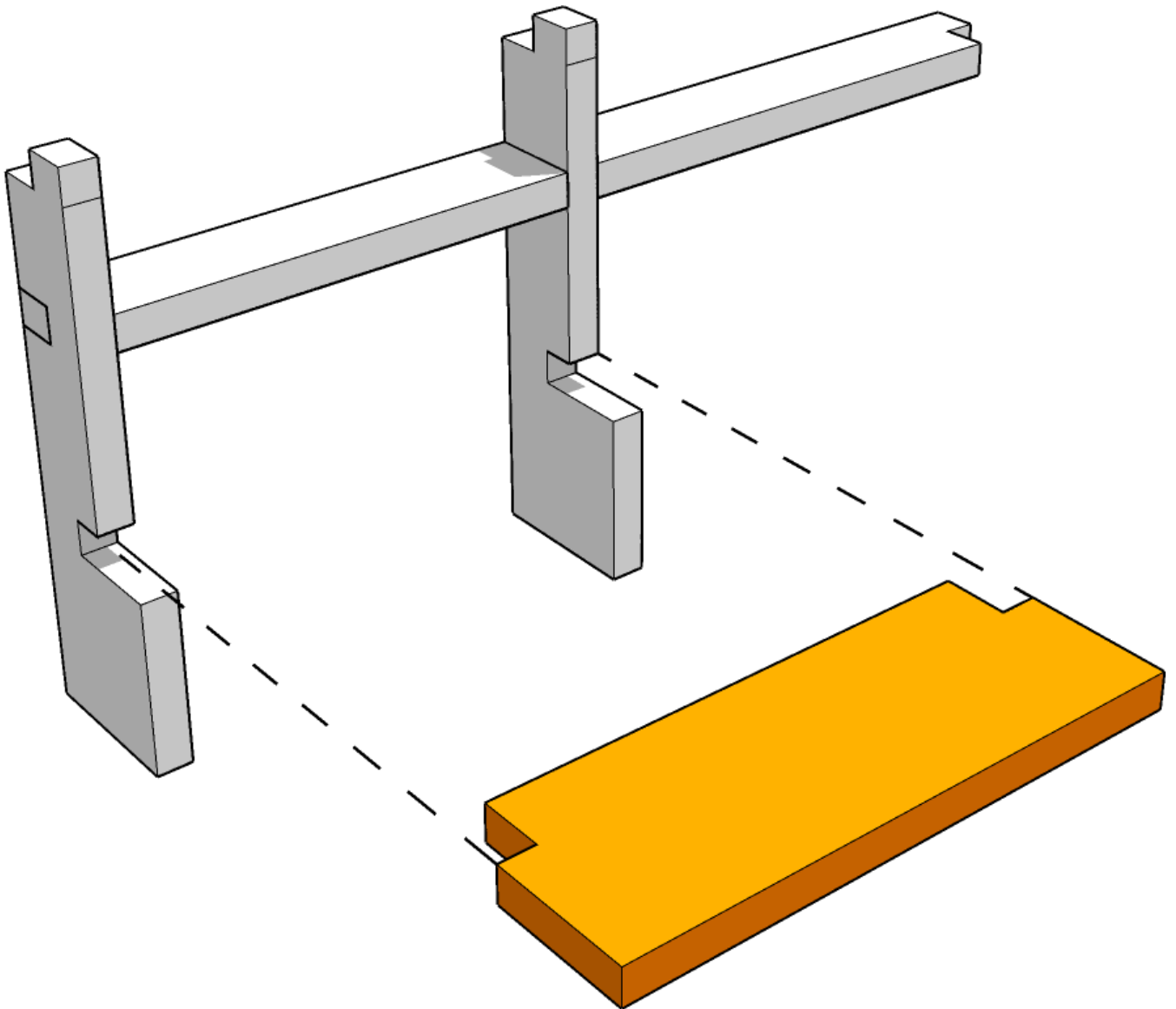




# TABLETOP SCENICS

TTSCW-SFU-153  
QDSC  
Rum Bravo

45

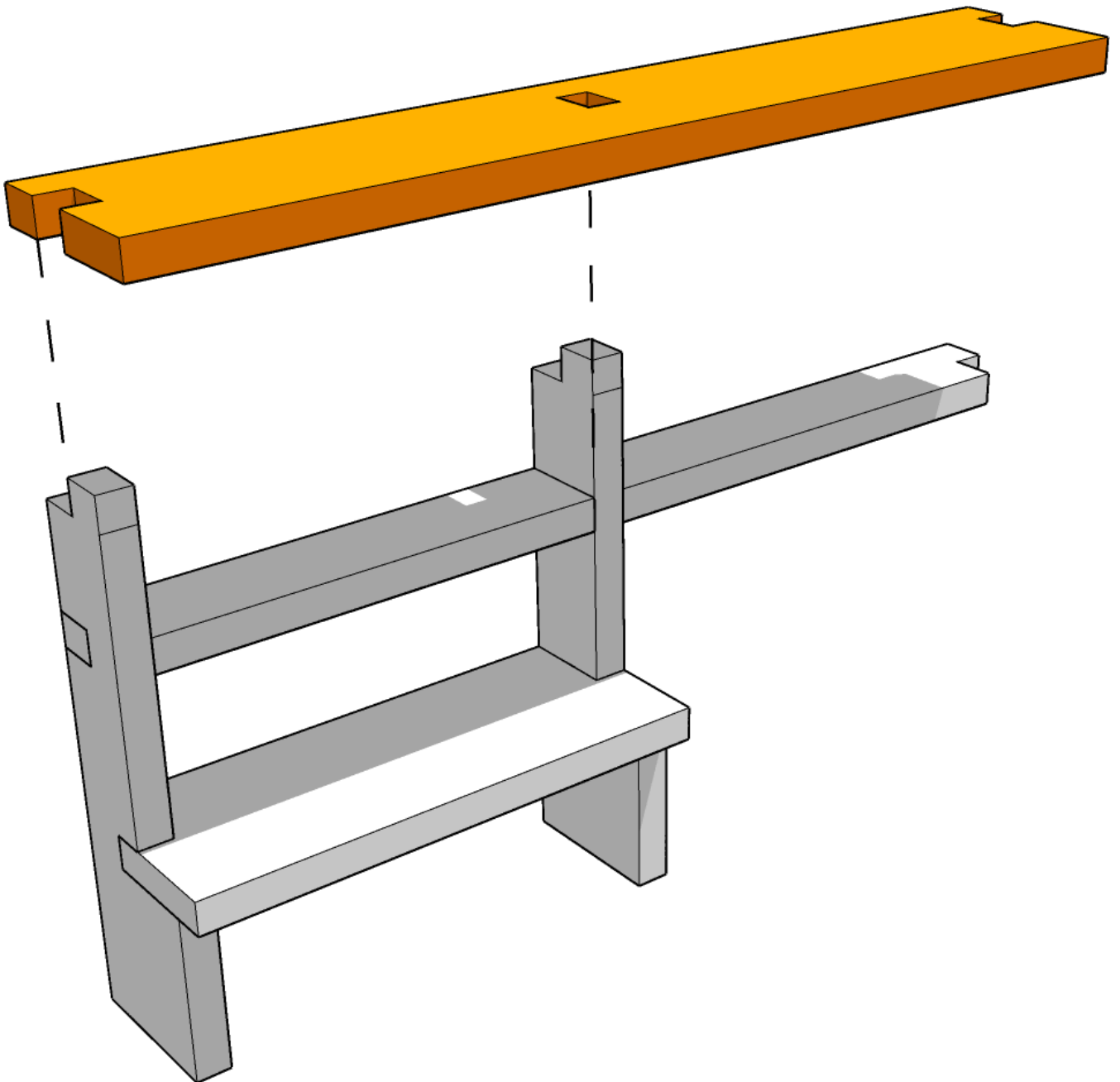




# TABLETOP SCENICS

TTSCW-SFU-153  
QDSC  
Rum Bravo

46

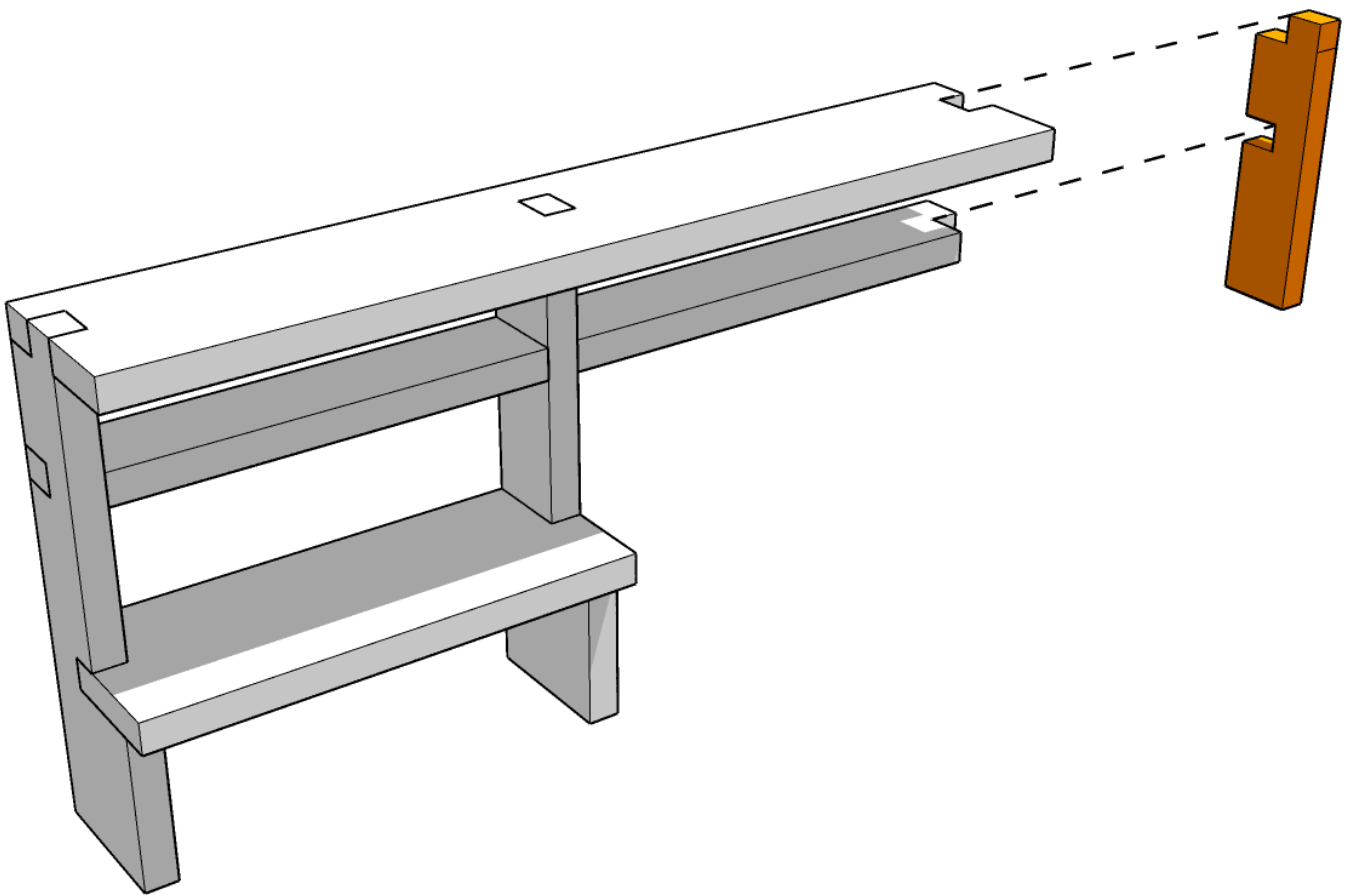




# TABLETOP SCENICS

TTSCW-SFU-153  
QDSC  
Rum Bravo

47

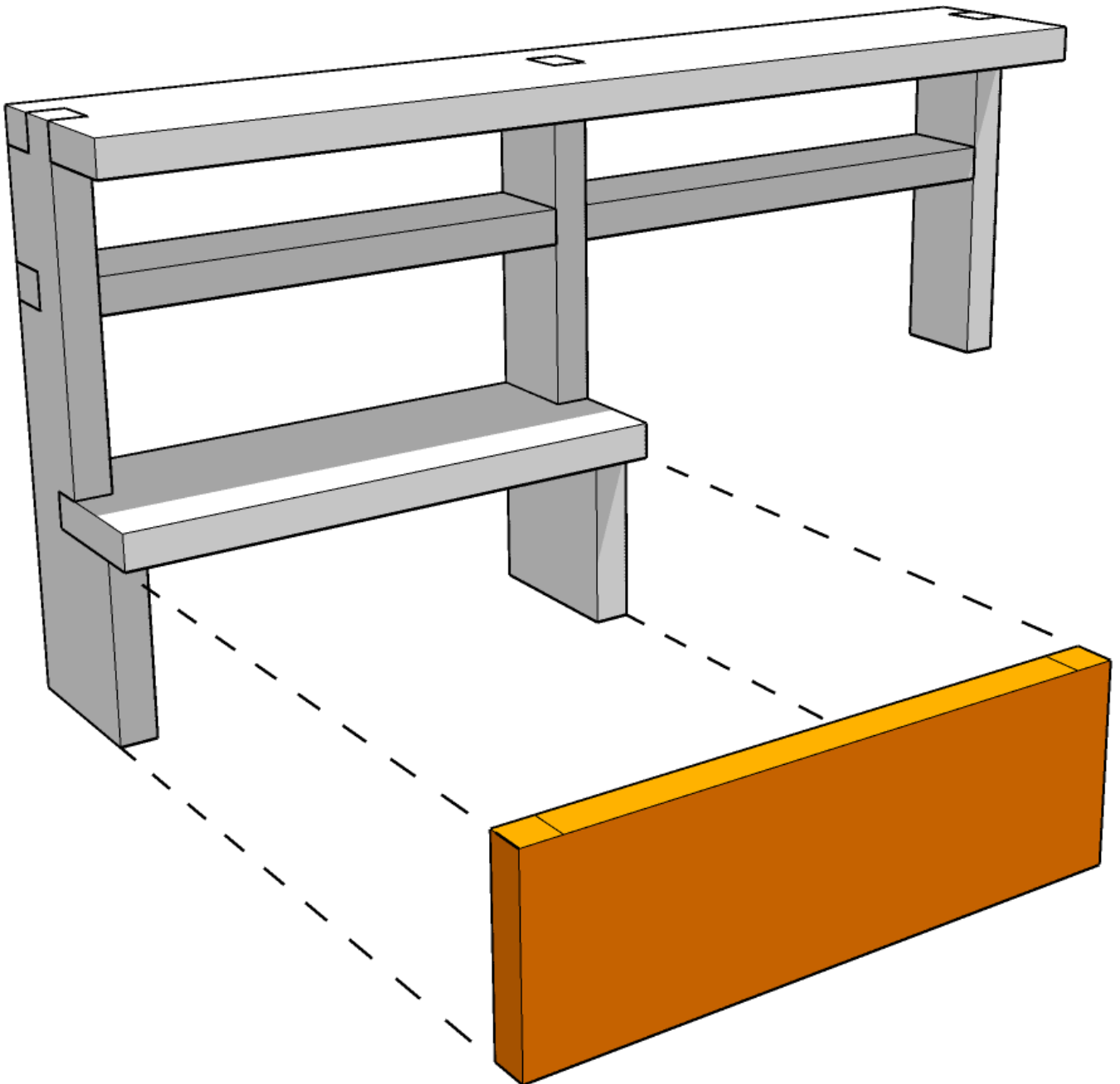




# TABLETOP SCENICS

TTSCW-SFU-153  
QDSC  
Rum Bravo

48



This part is optional



 **TTCOMBAT**

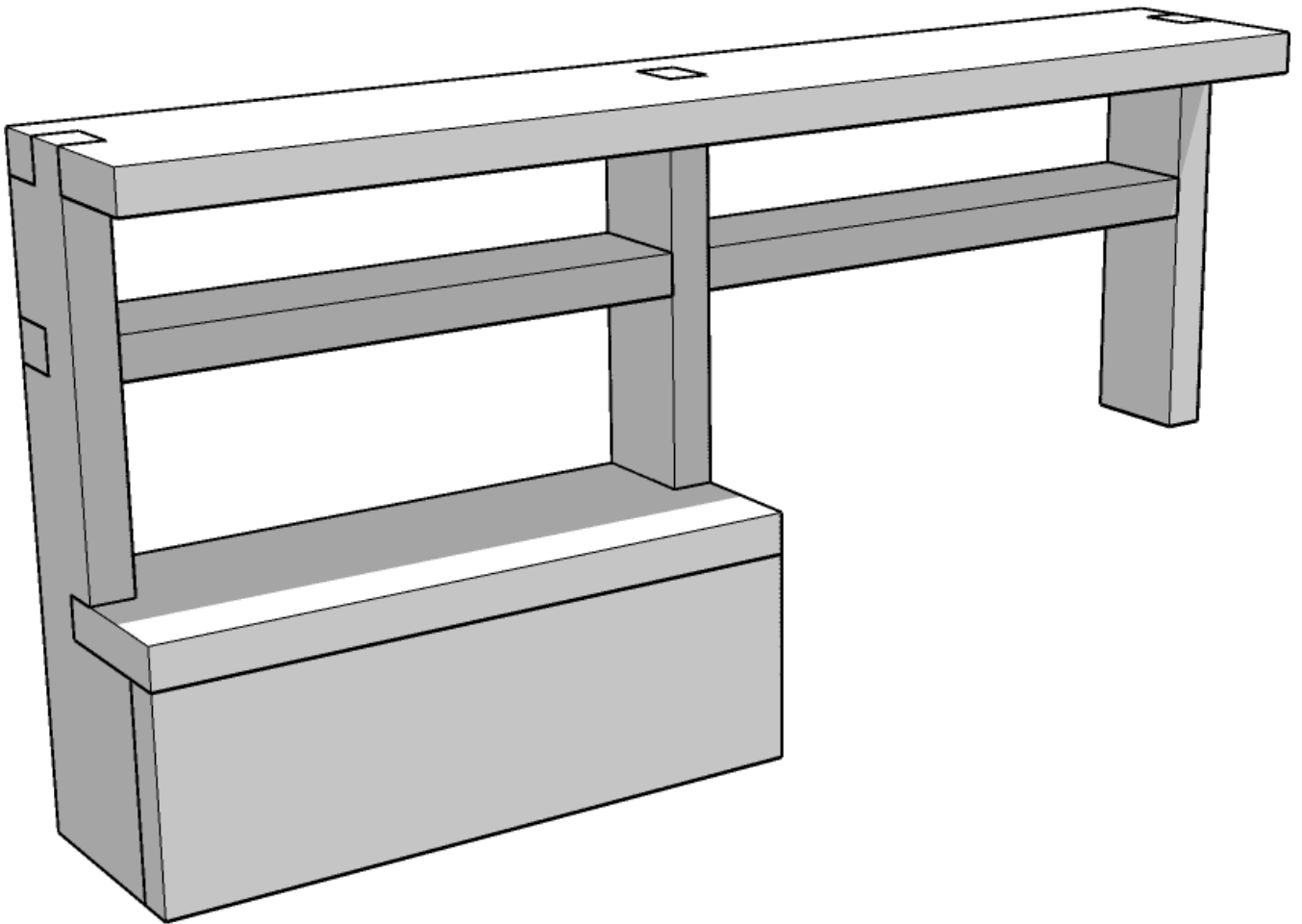




# TABLETOP SCENICS

TTSCW-SFU-153  
QDSC  
Rum Bravo

49

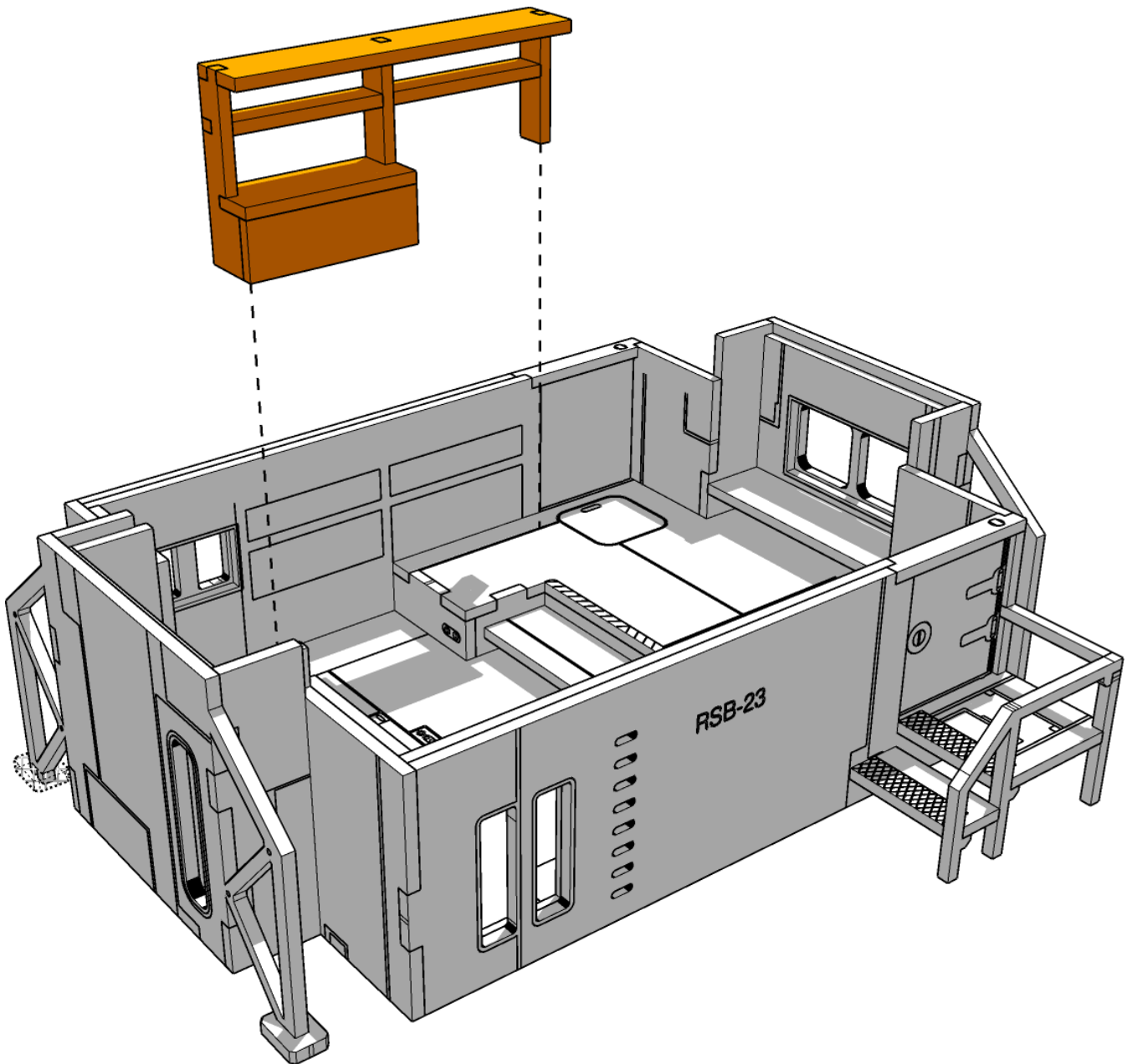




# TABLETOP SCENICS

TTSCW-SFU-153  
QDSC  
Rum Bravo

50



Part is not required and optional



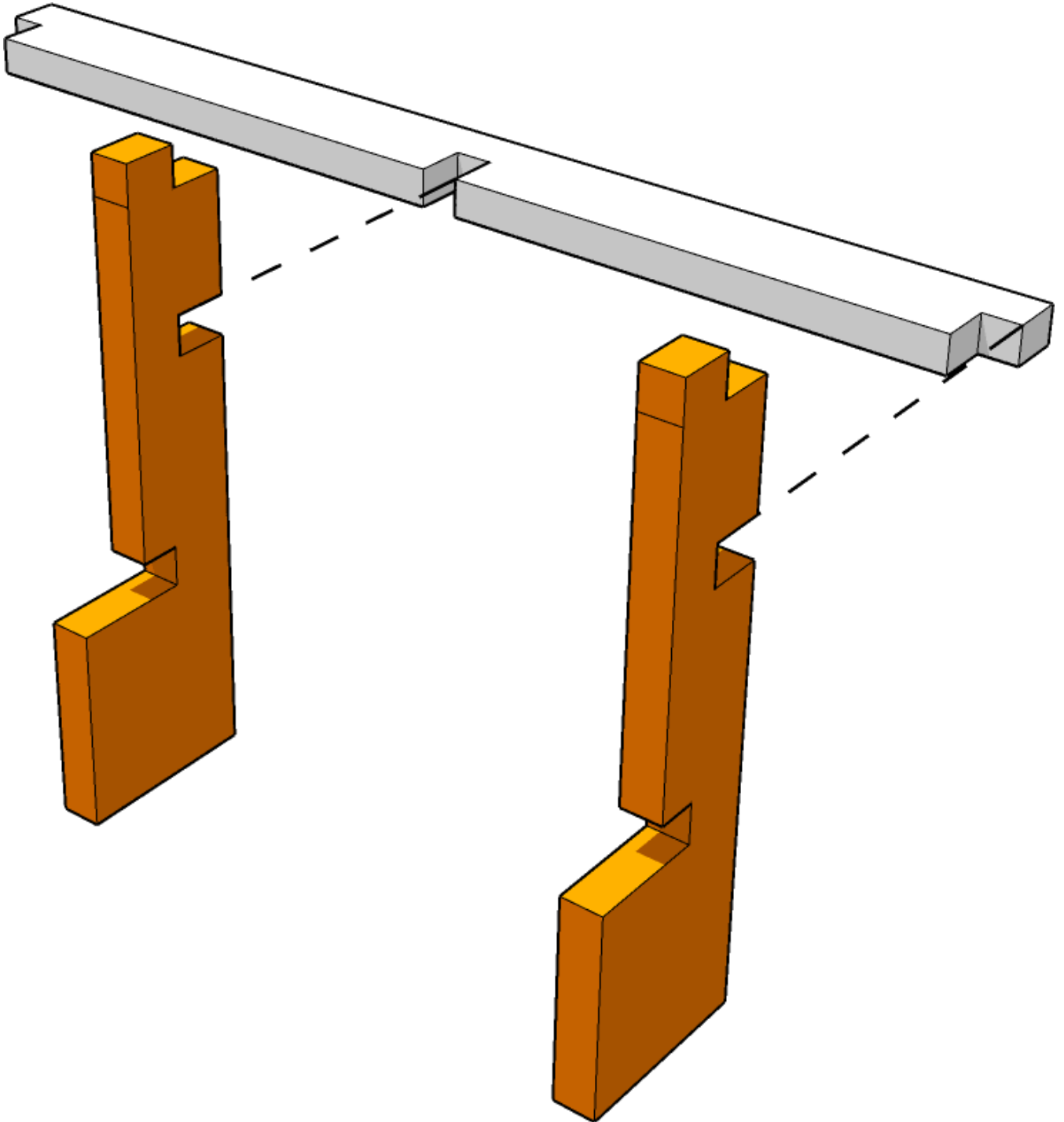
 **TTCOMBAT**



# TABLETOP SCENICS

TTSCW-SFU-153  
QDSC  
Rum Bravo

51

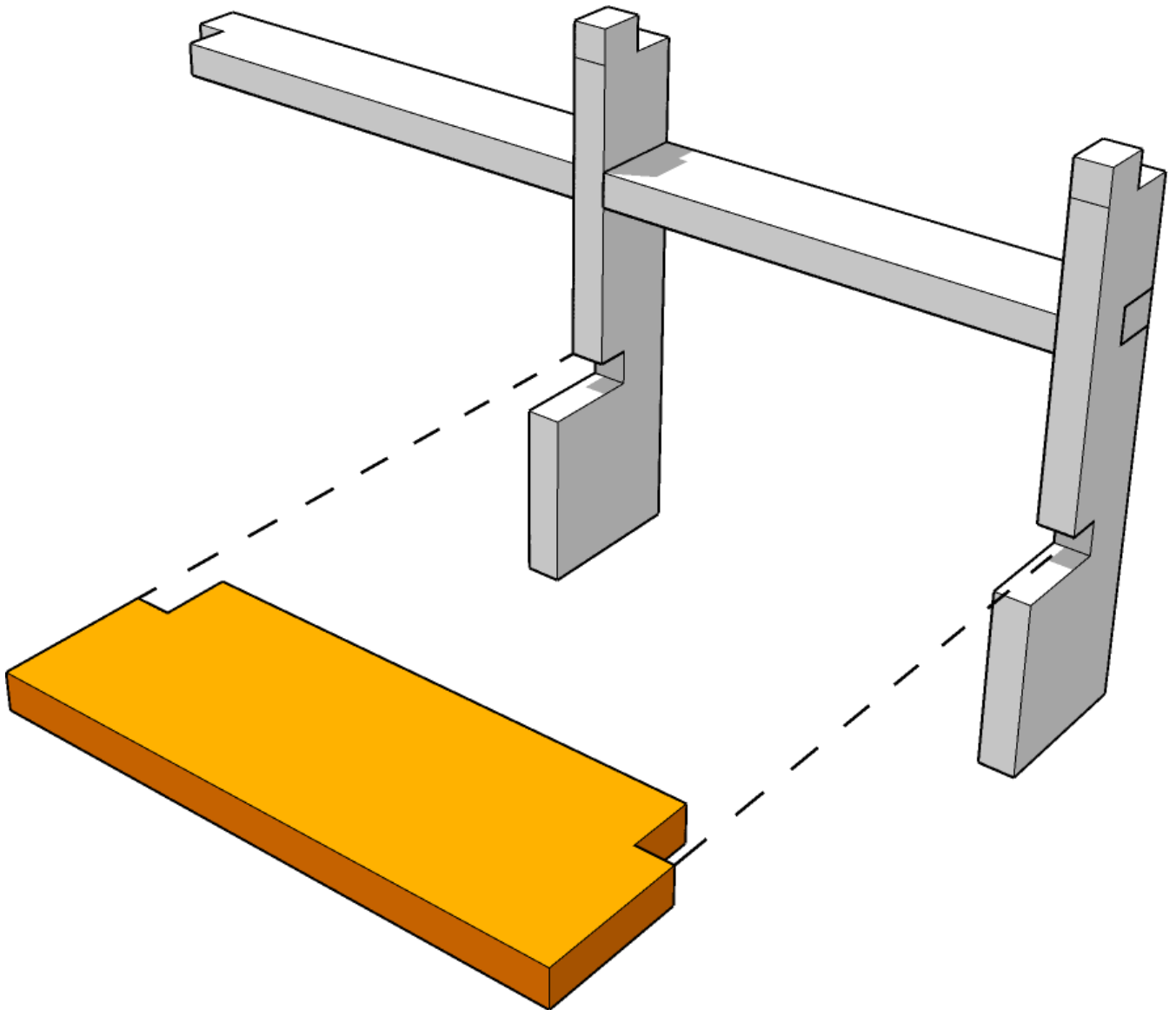




# TABLETOP SCENICS

TTSCW-SFU-153  
QDSC  
Rum Bravo

52

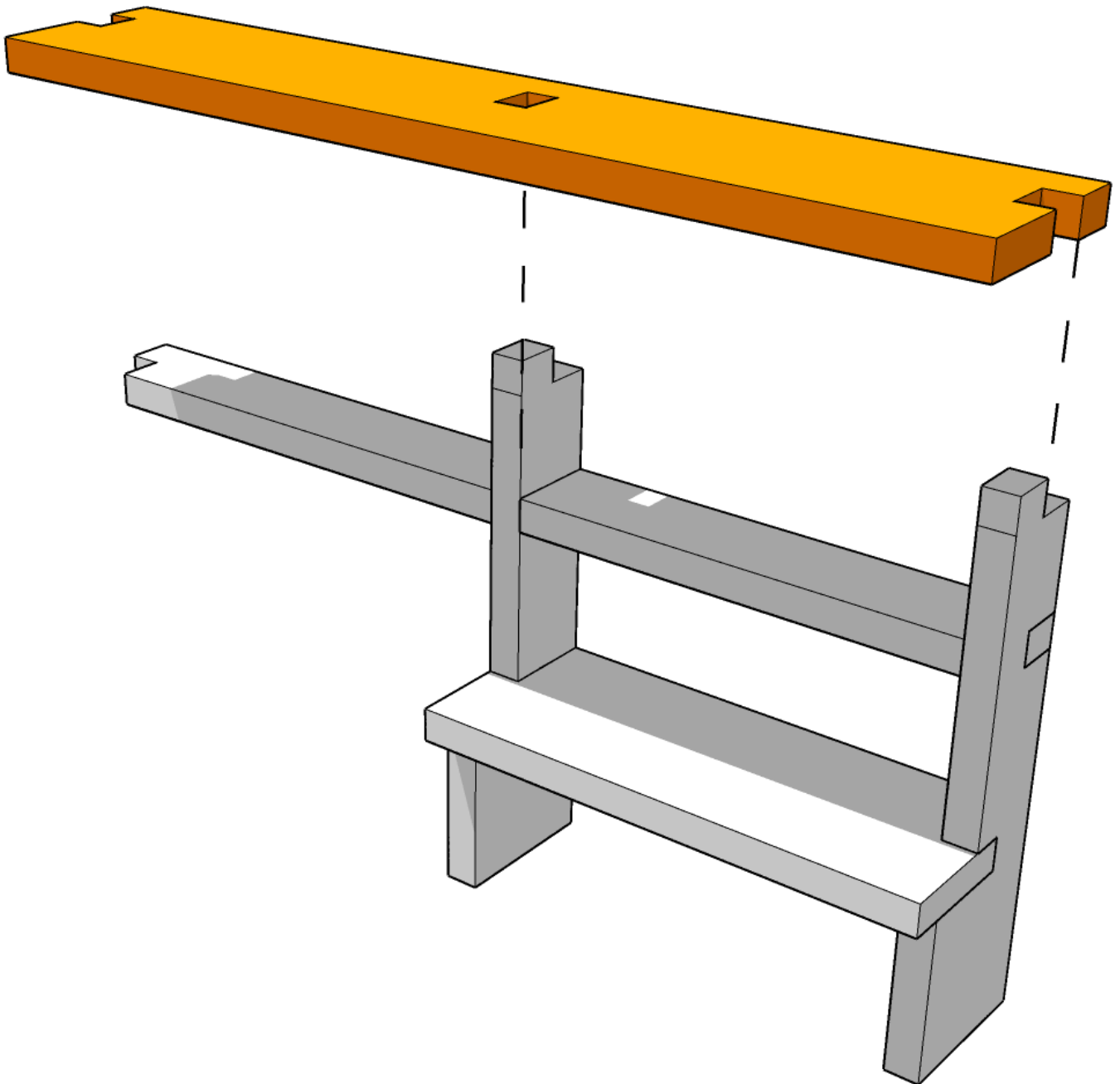




# TABLETOP SCENICS

TTSCW-SFU-153  
QDSC  
Rum Bravo

53

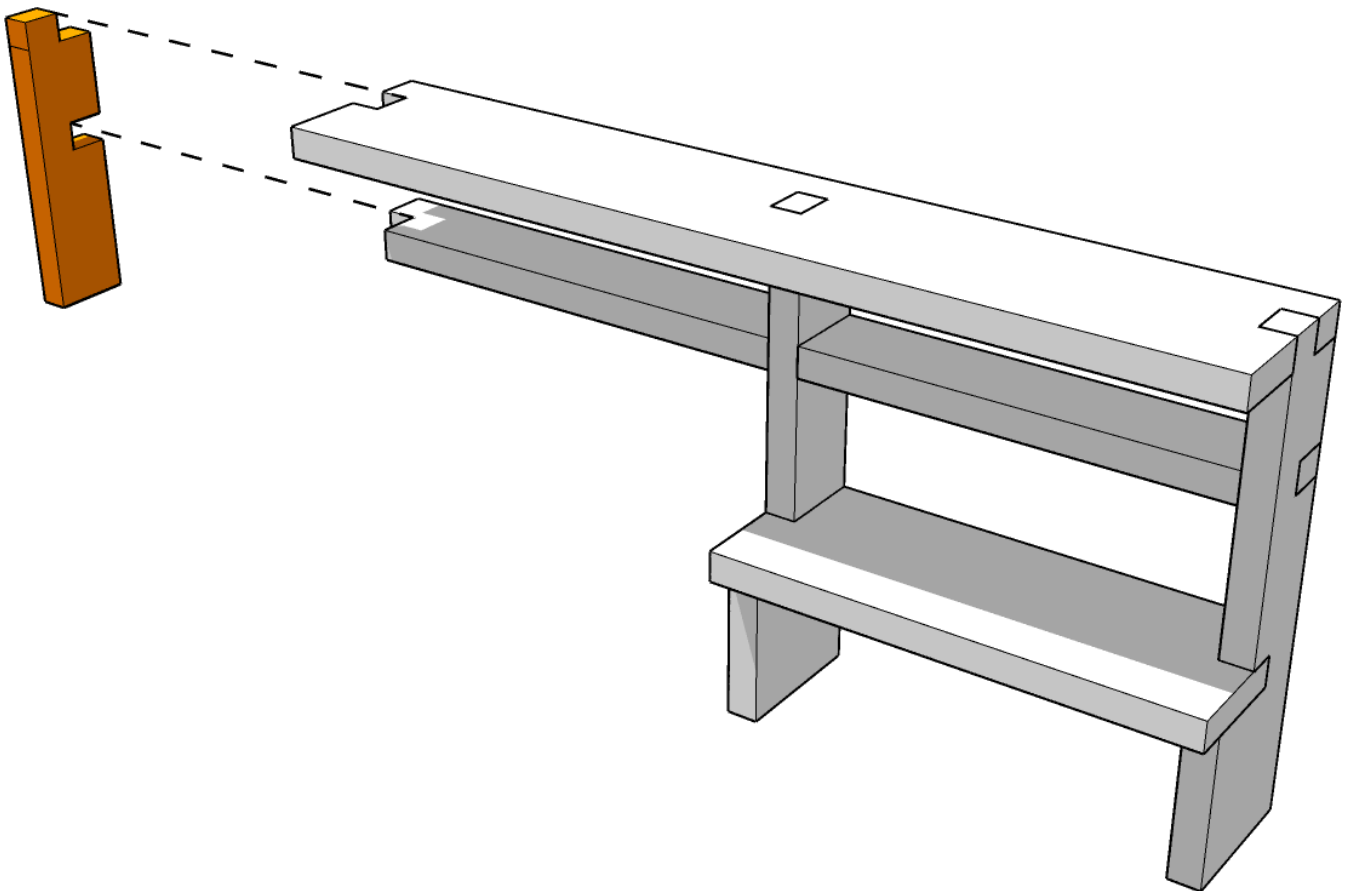




# TABLETOP SCENICS

TTSCW-SFU-153  
QDSC  
Rum Bravo

54

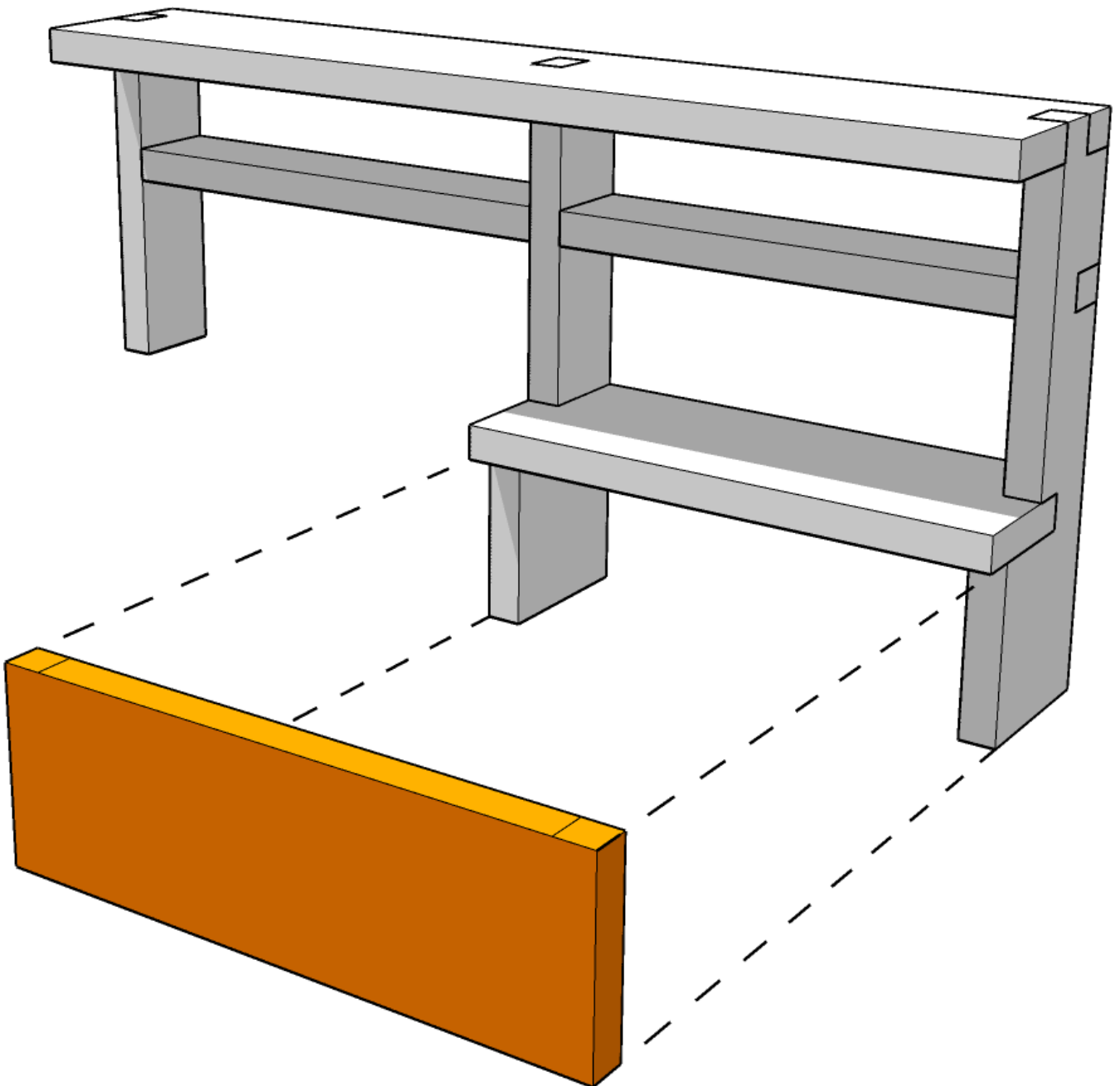




# TABLETOP SCENICS

TTSCW-SFU-153  
QDSC  
Rum Bravo

55

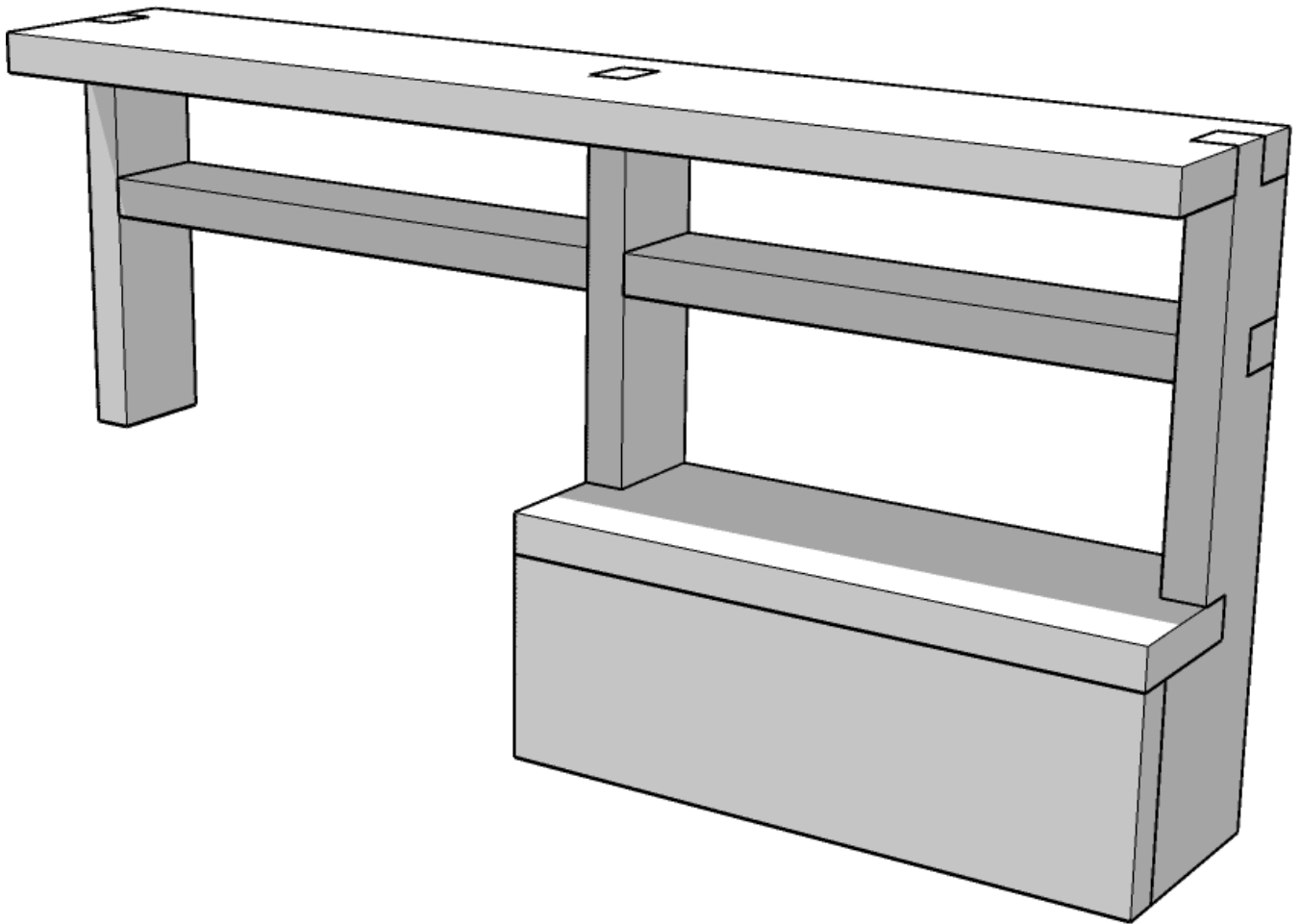




# TABLETOP SCENICS

TTSCW-SFU-153  
QDSC  
Rum Bravo

56



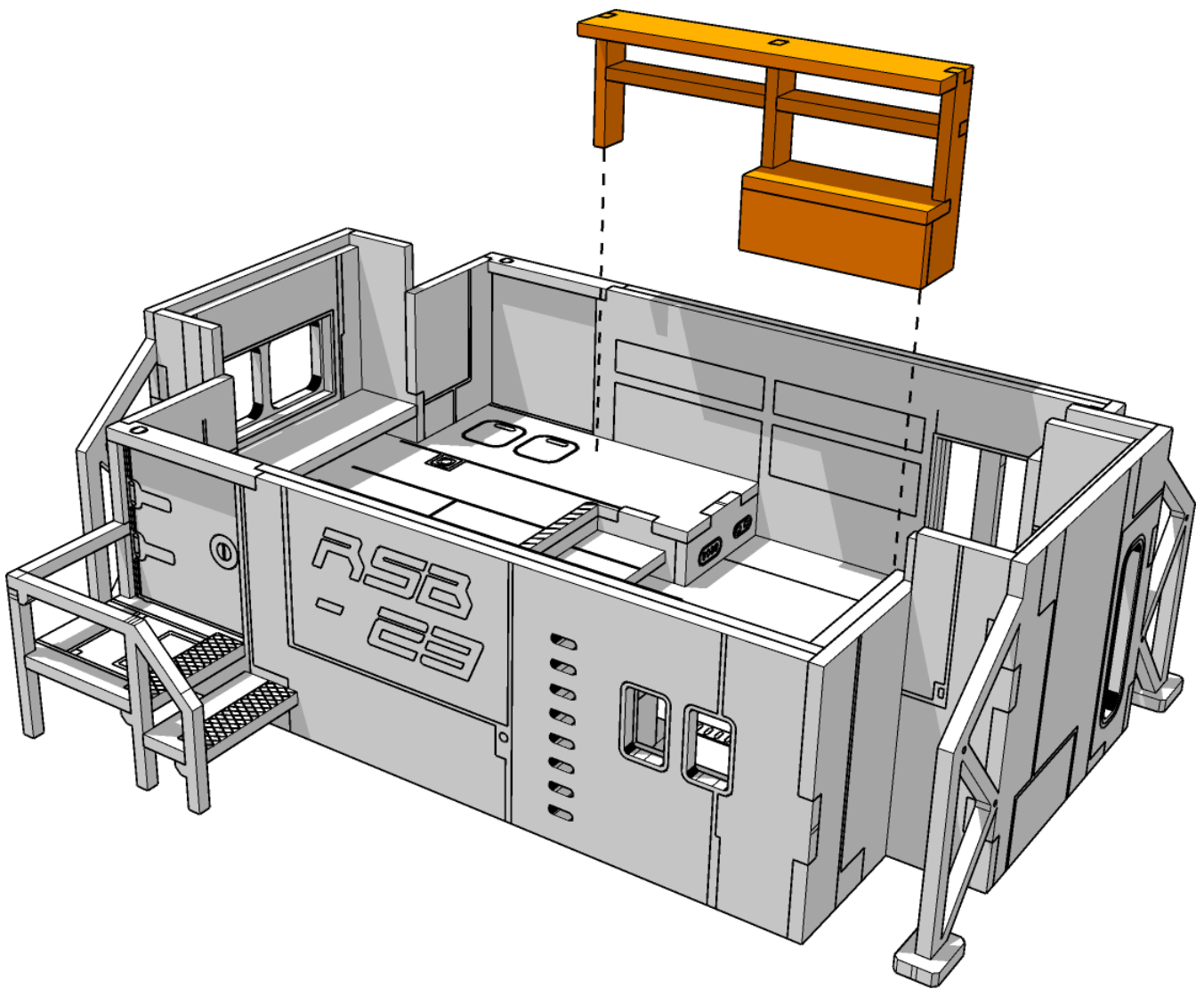




# TABLETOP SCENICS

TTSCW-SFU-153  
QDSC  
Rum Bravo

57



Part is optional



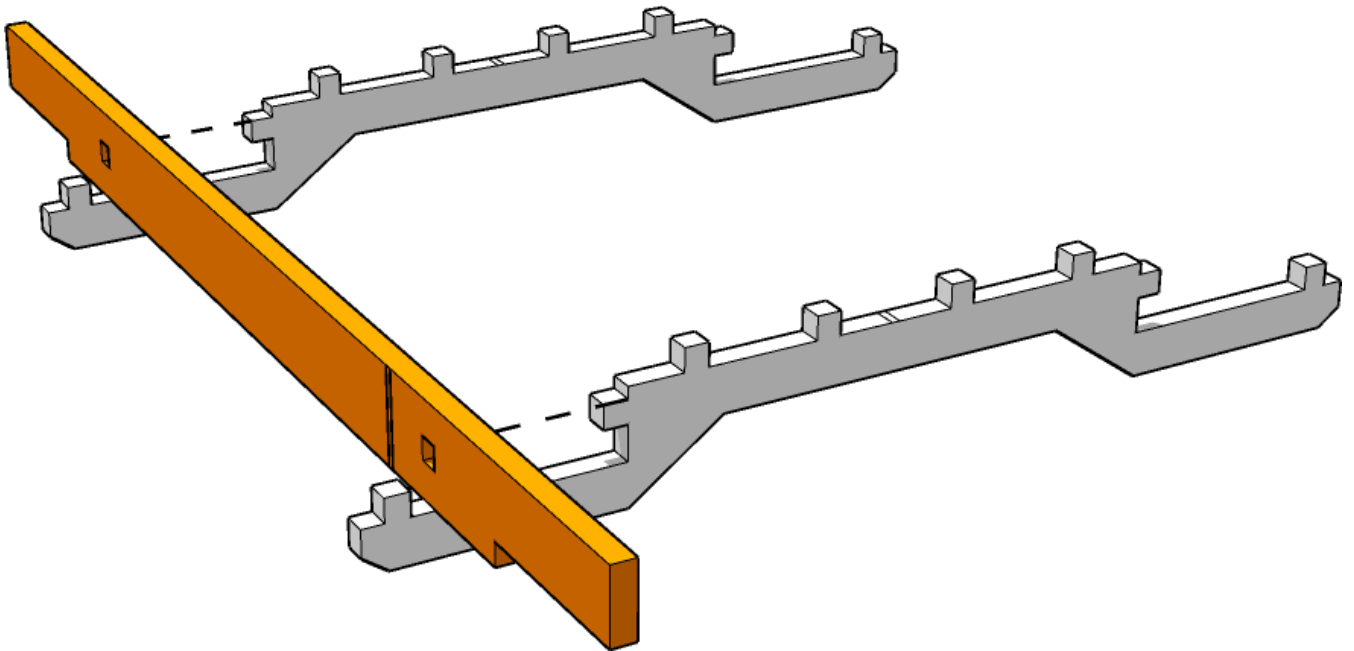
 **TTCOMBAT**



# TABLETOP SCENICS

TTSCW-SFU-153  
QDSC  
Rum Bravo

58

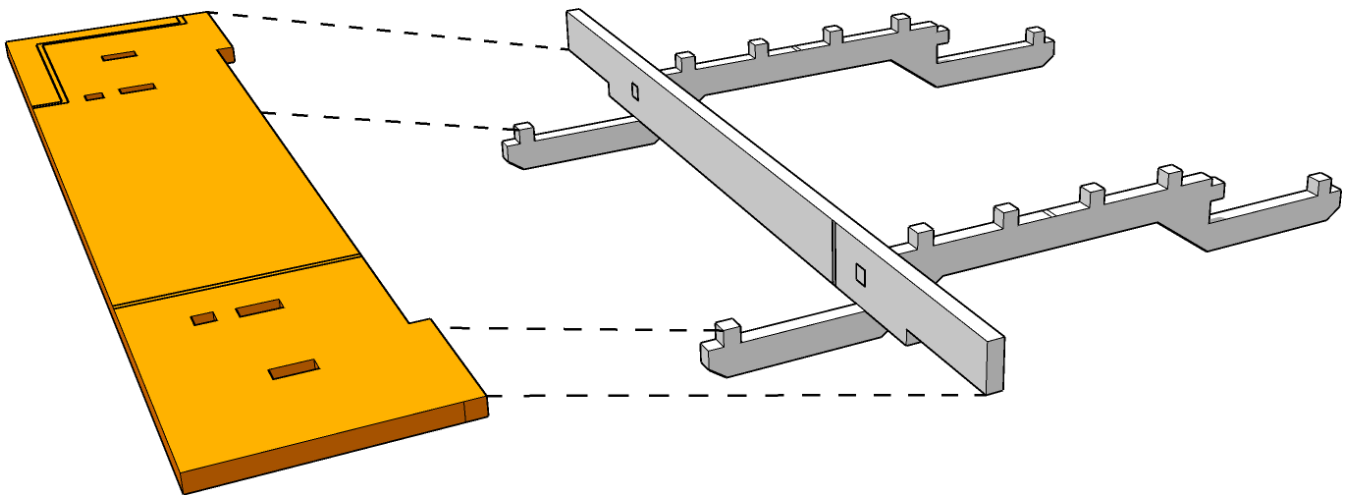




# TABLETOP SCENICS

TTSCW-SFU-153  
QDSC  
Rum Bravo

59



Align outer edges of the highlighted part then twist  
into position onto the support tabs

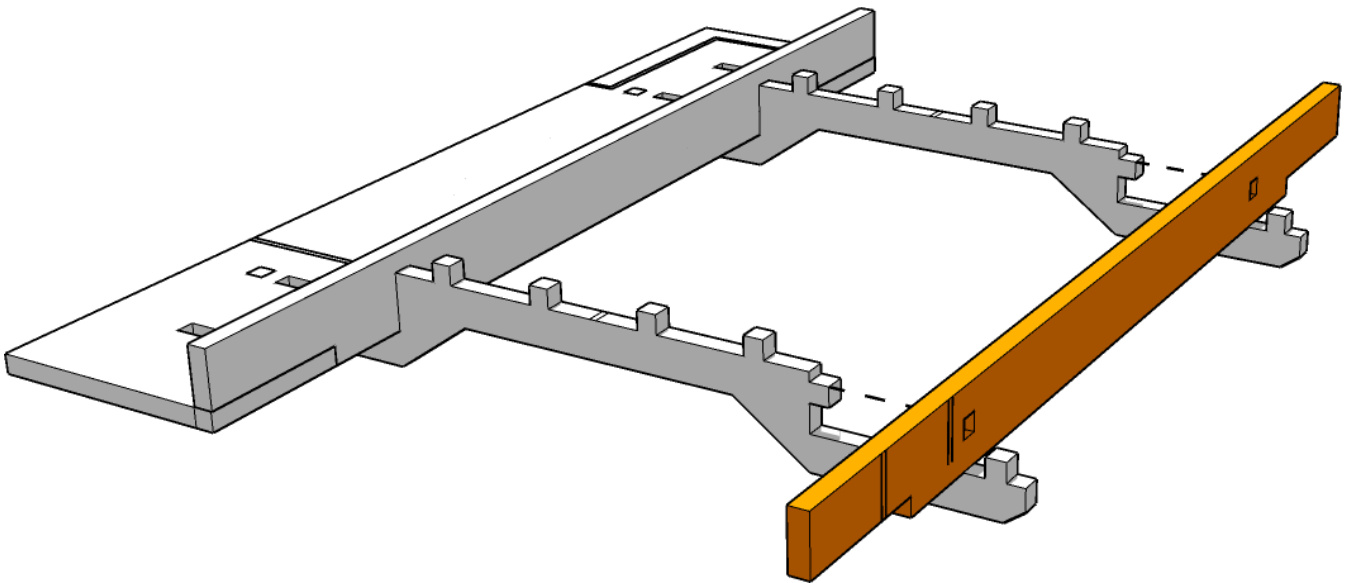




# TABLETOP SCENICS

TTSCW-SFU-153  
QDSC  
Rum Bravo

60

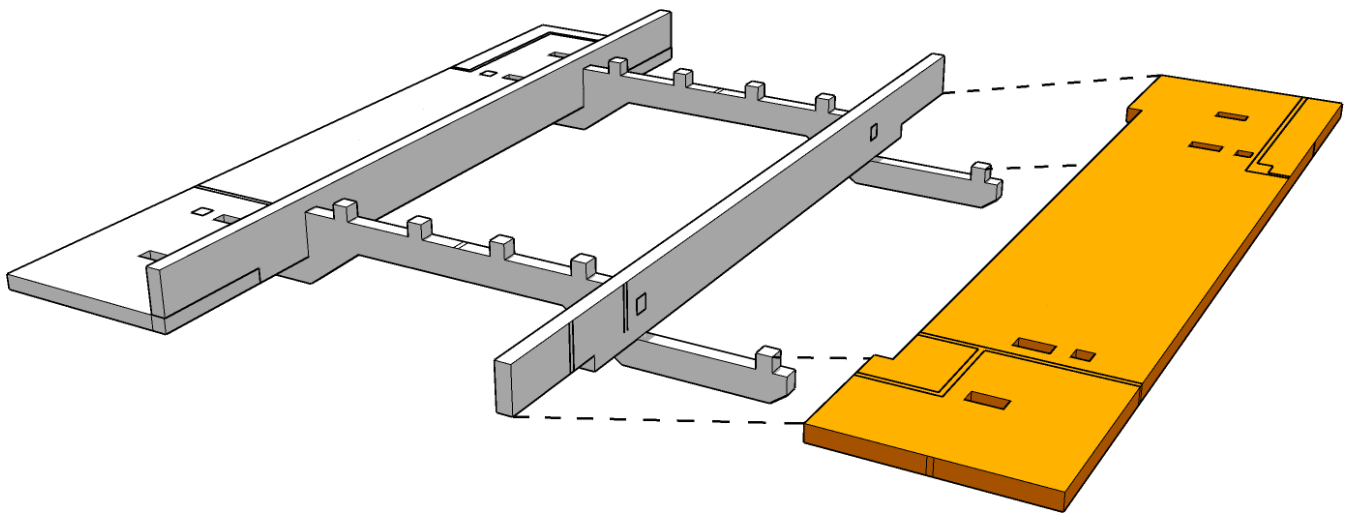




# TABLETOP SCENICS

TTSCW-SFU-153  
QDSC  
Rum Bravo

61



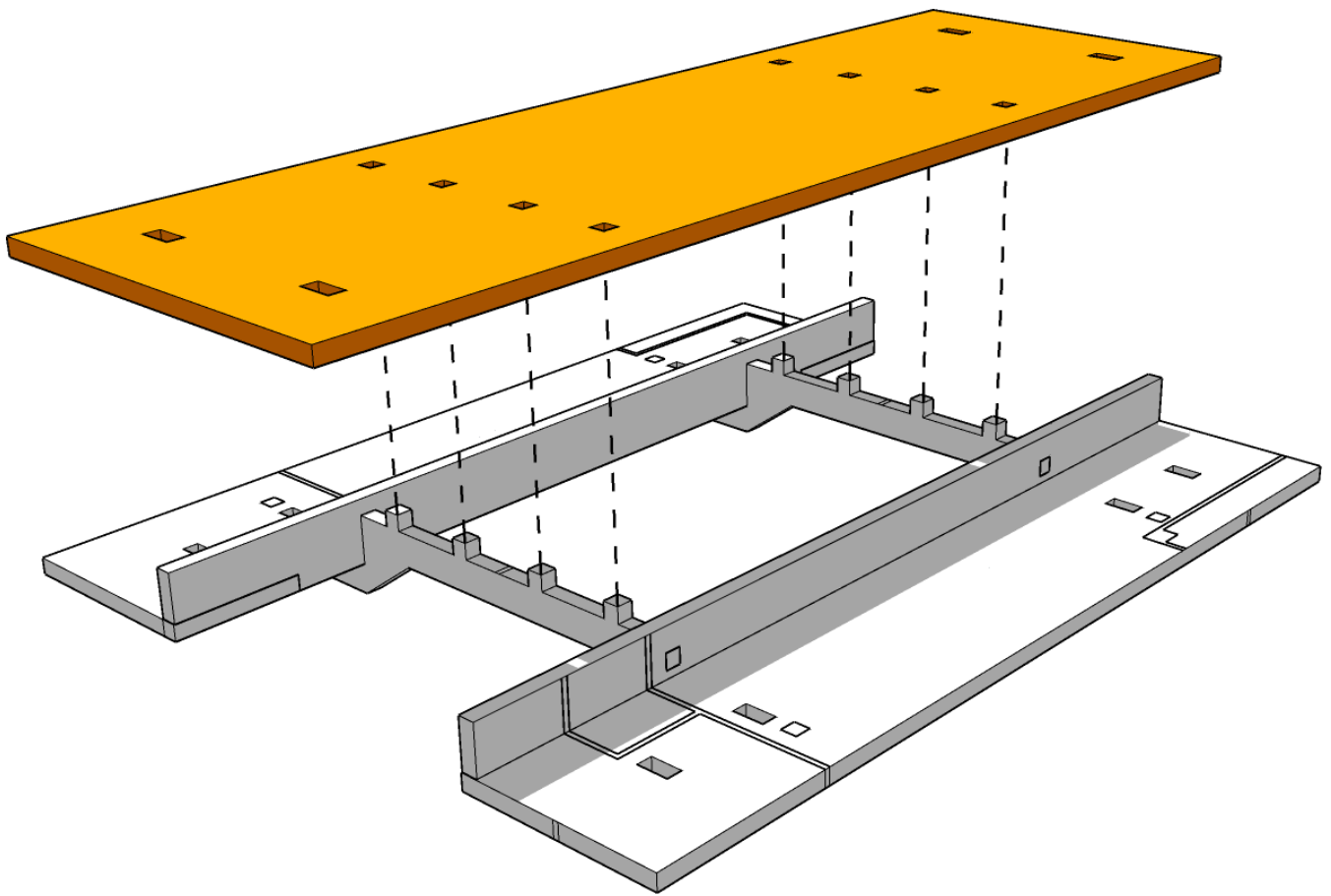
Align outer edges of the highlighted part then twist  
into position onto the support tabs



# TABLETOP SCENICS

TTSCW-SFU-153  
QDSC  
Rum Bravo

62



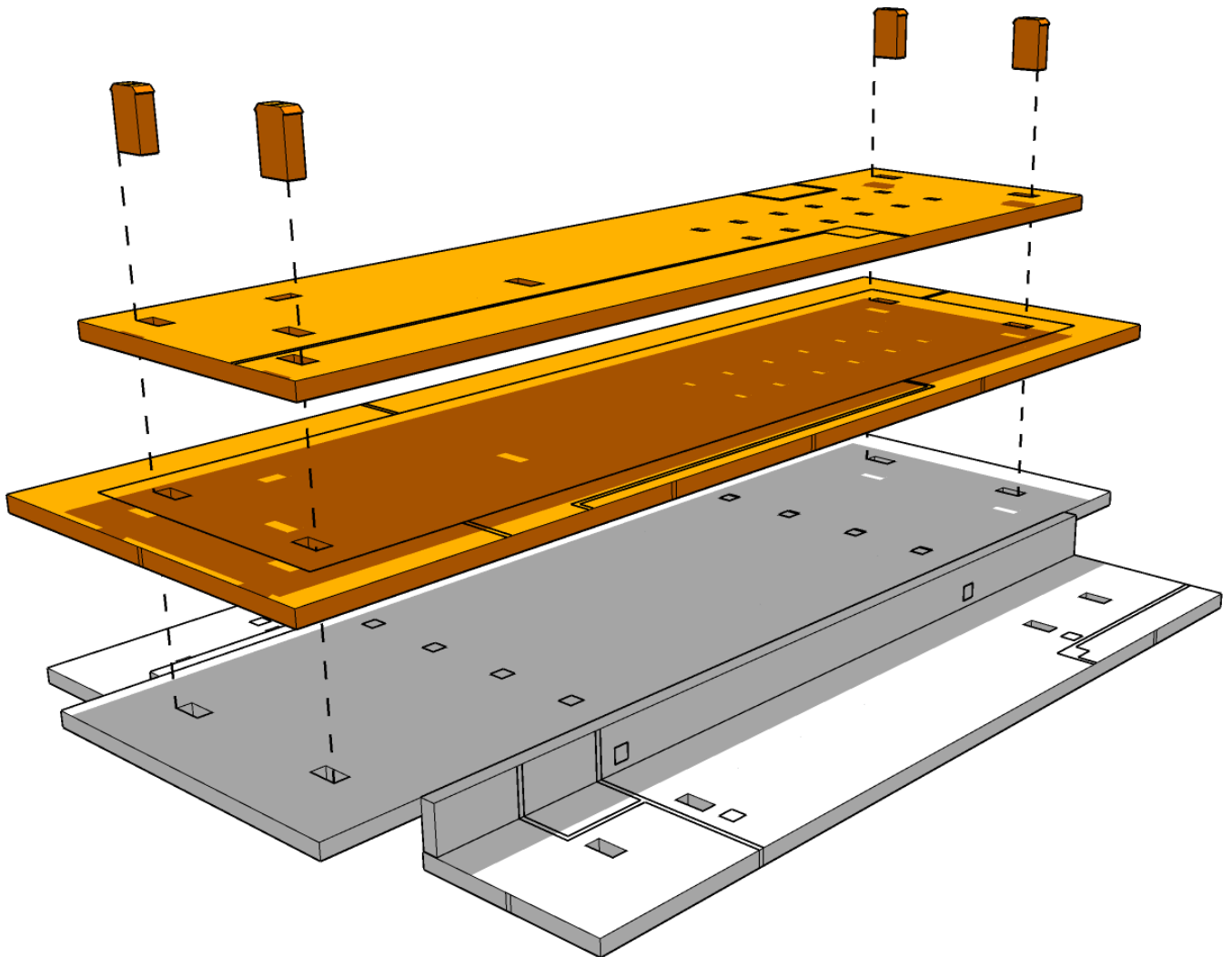
Detailing on highlighted part faces downwards



# TABLETOP SCENICS

TTSCW-SFU-153  
QDSC  
Rum Bravo

63

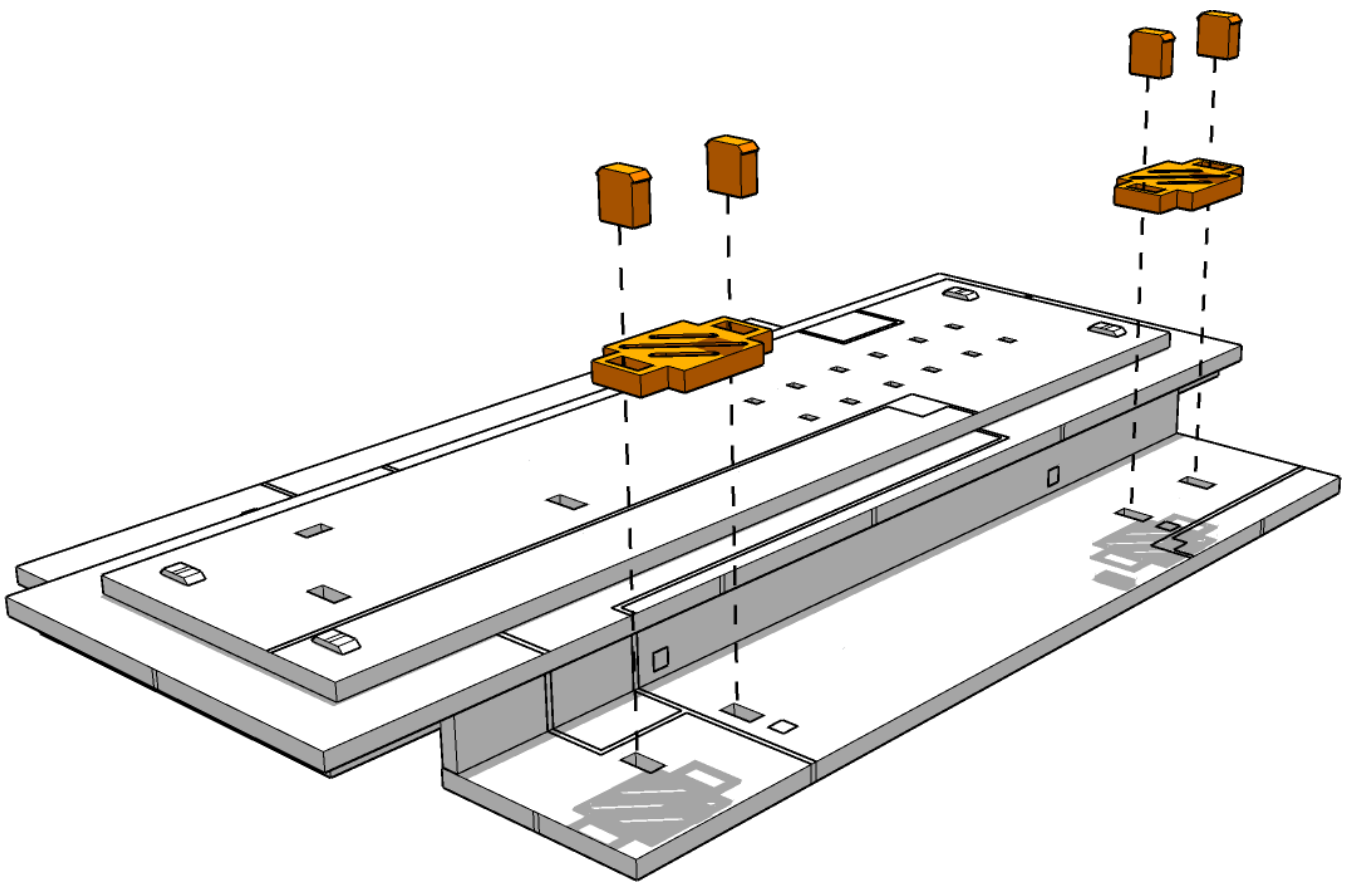




# TABLETOP SCENICS

TTSCW-SFU-153  
QDSC  
Rum Bravo

64



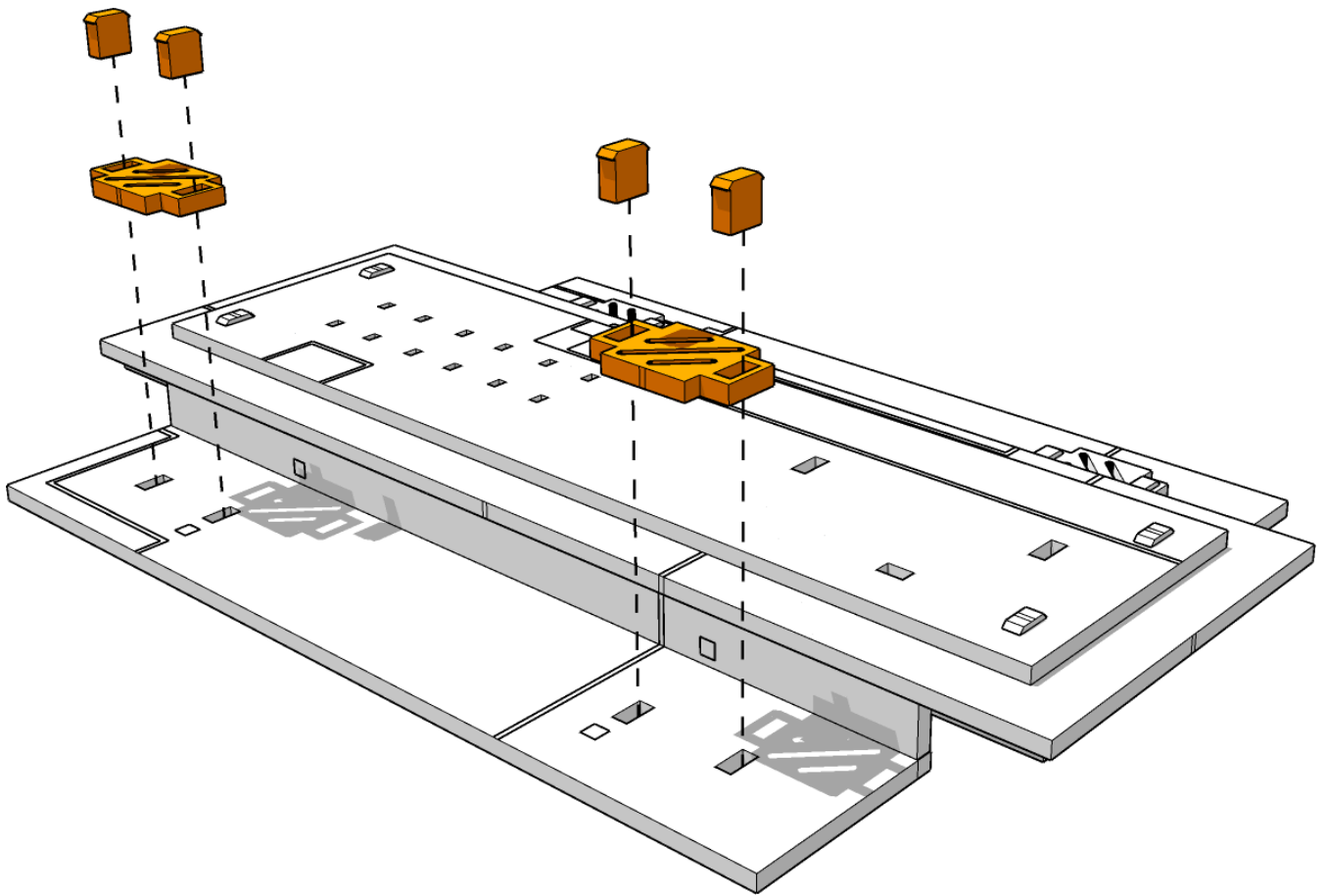




# TABLETOP SCENICS

TTSCW-SFU-153  
QDSC  
Rum Bravo

65

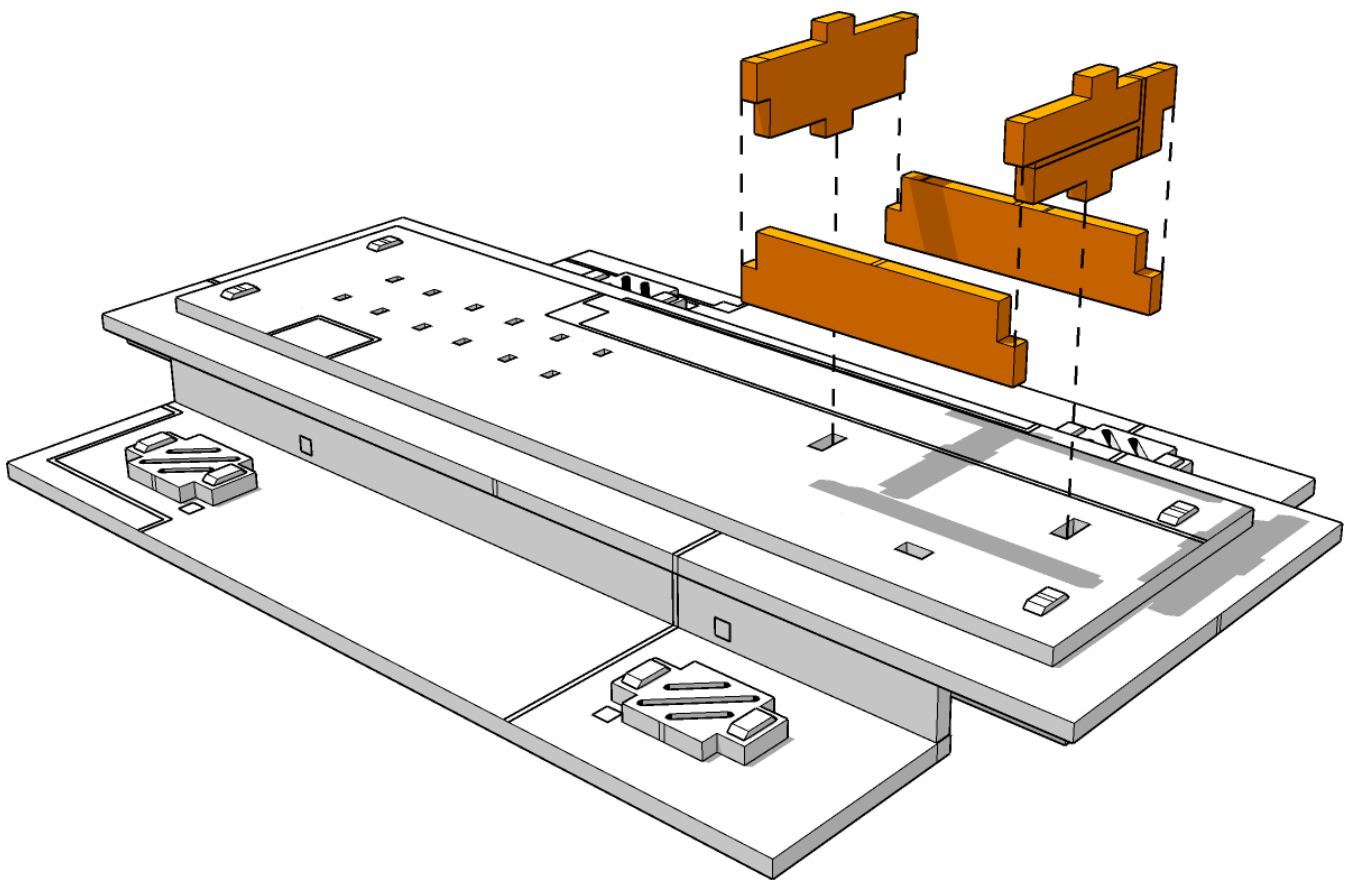




# TABLETOP SCENICS

TTSCW-SFU-153  
QDSC  
Rum Bravo

66

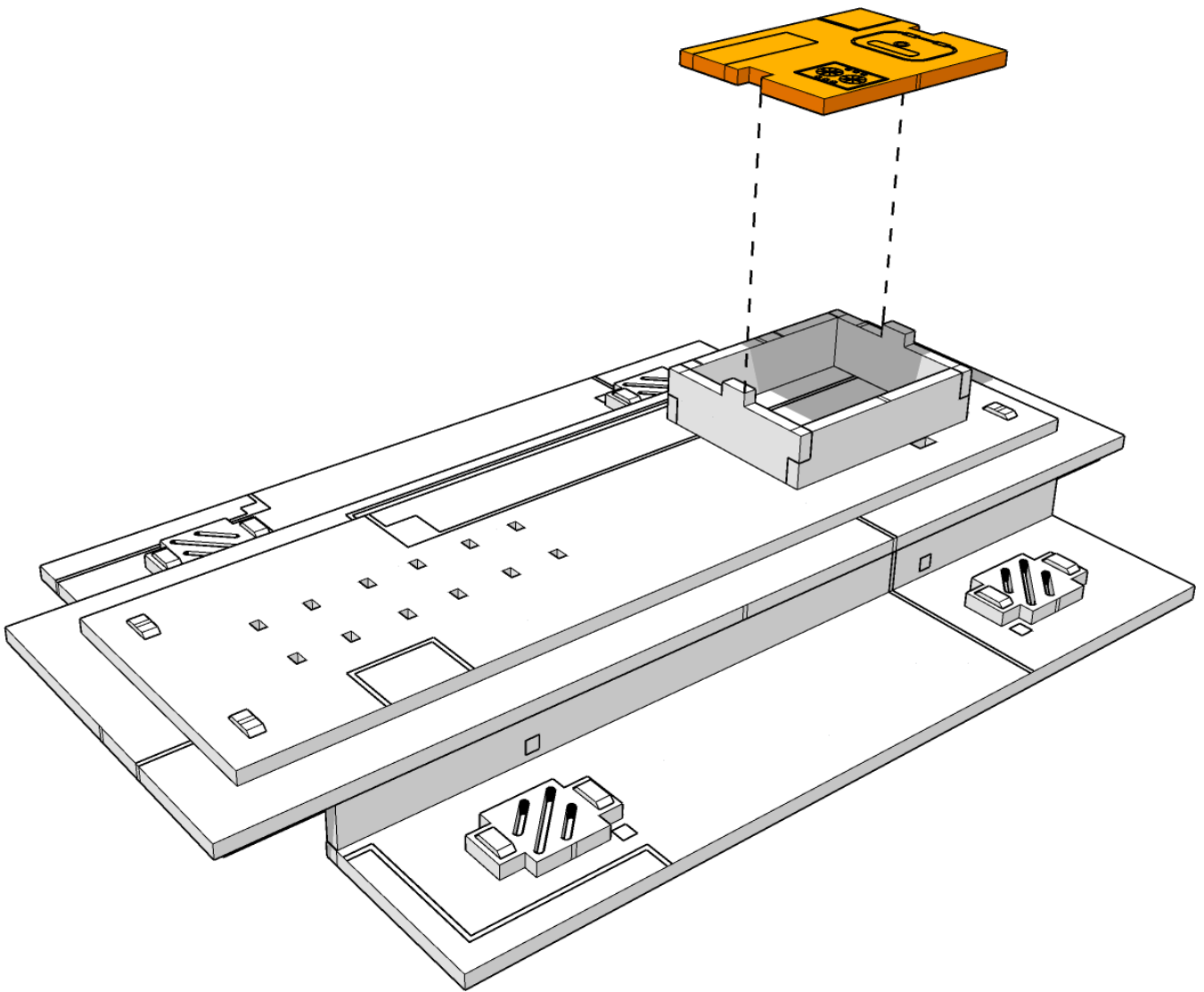




# TABLETOP SCENICS

TTSCW-SFU-153  
QDSC  
Rum Bravo

67

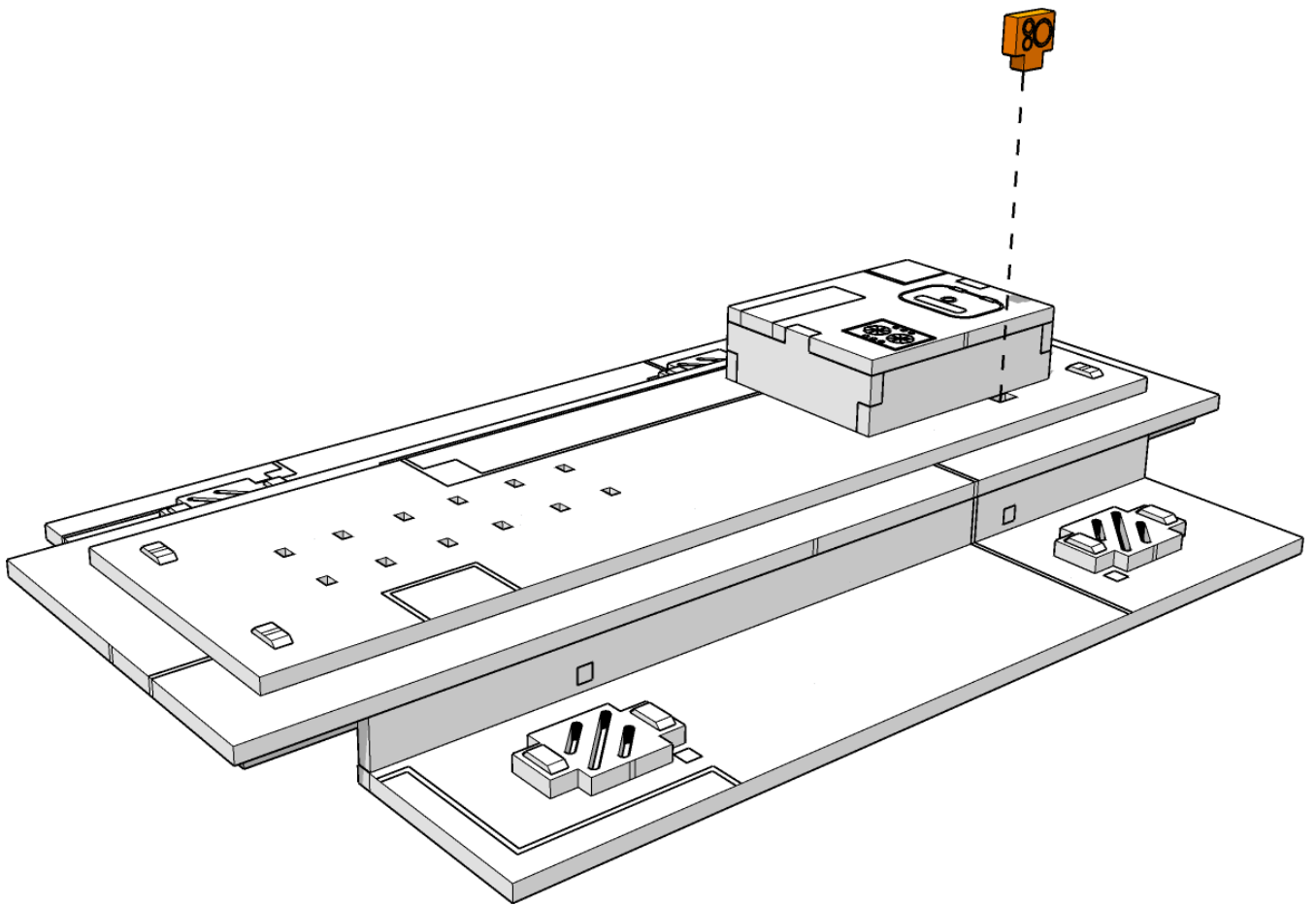




# TABLETOP SCENICS

TTSCW-SFU-153  
QDSC  
Rum Bravo

68

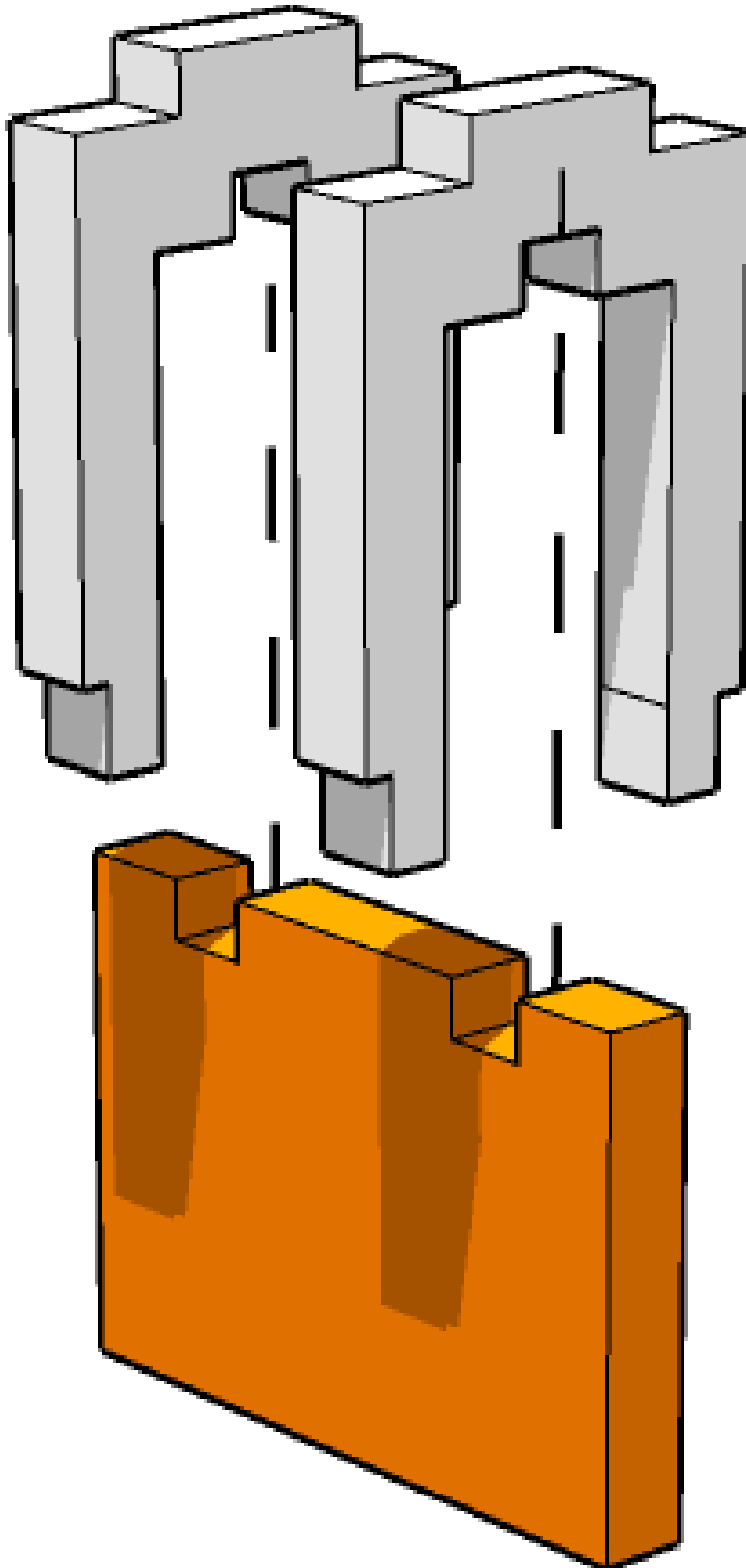




# TABLETOP SCENICS

TTSCW-SFU-153  
QDSC  
Rum Bravo

69

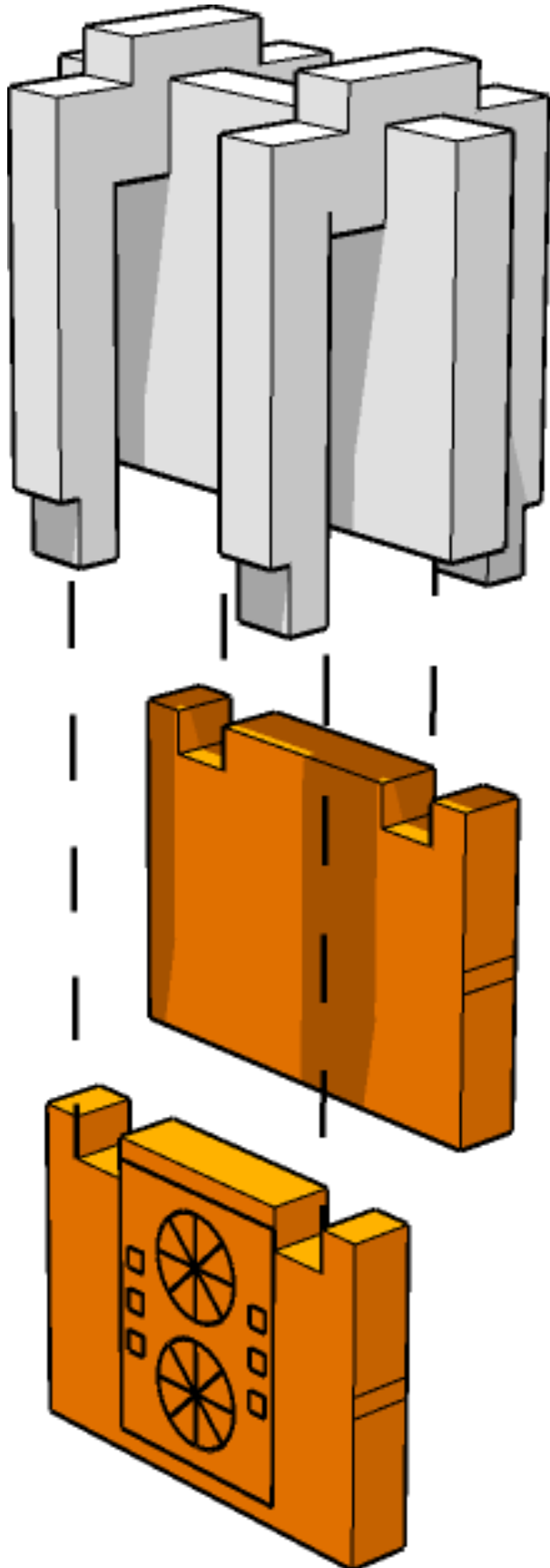




# TABLETOP SCENICS

TTSCW-SFU-153  
QDSC  
Rum Bravo

70



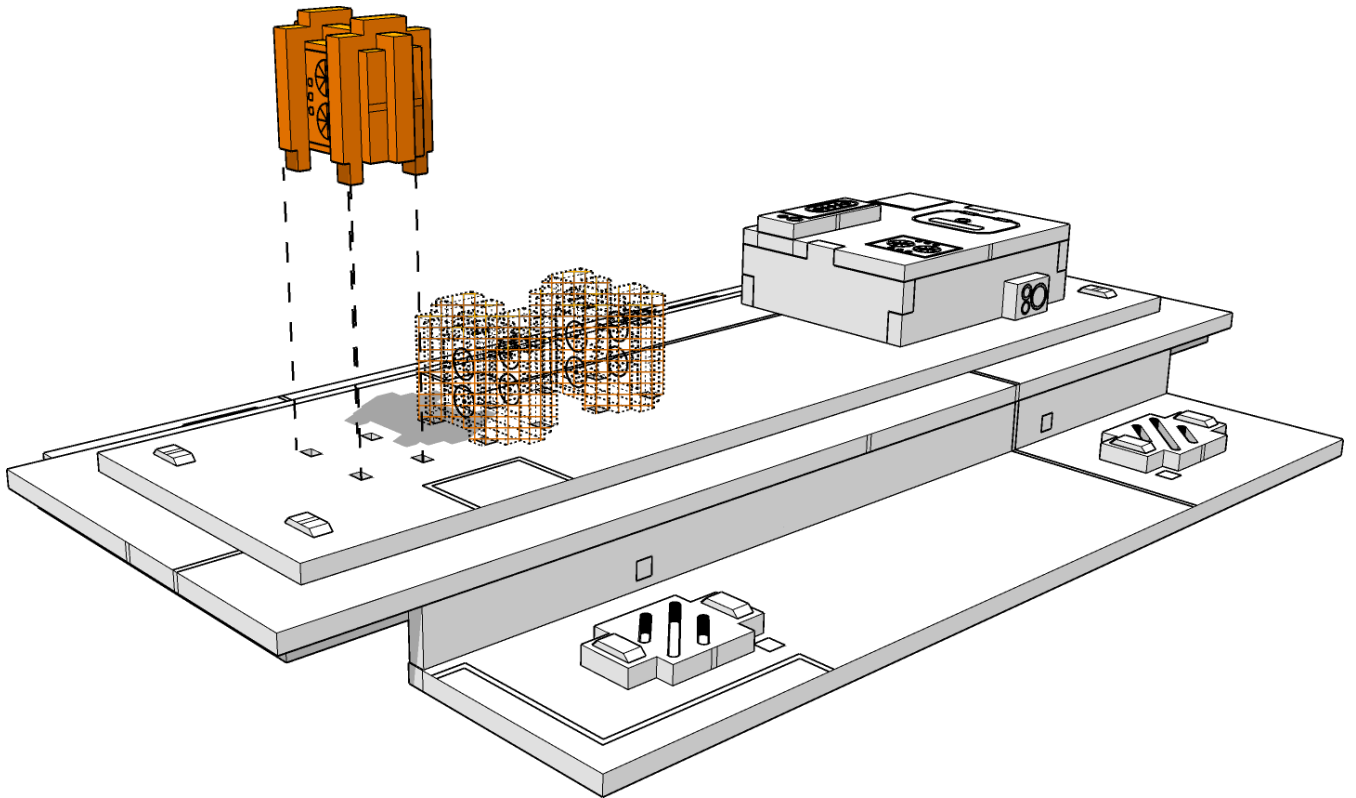
Highlighted parts are identical



# TABLETOP SCENICS

TTSCW-SFU-153  
QDSC  
Rum Bravo

71

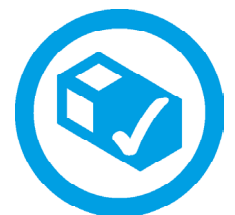
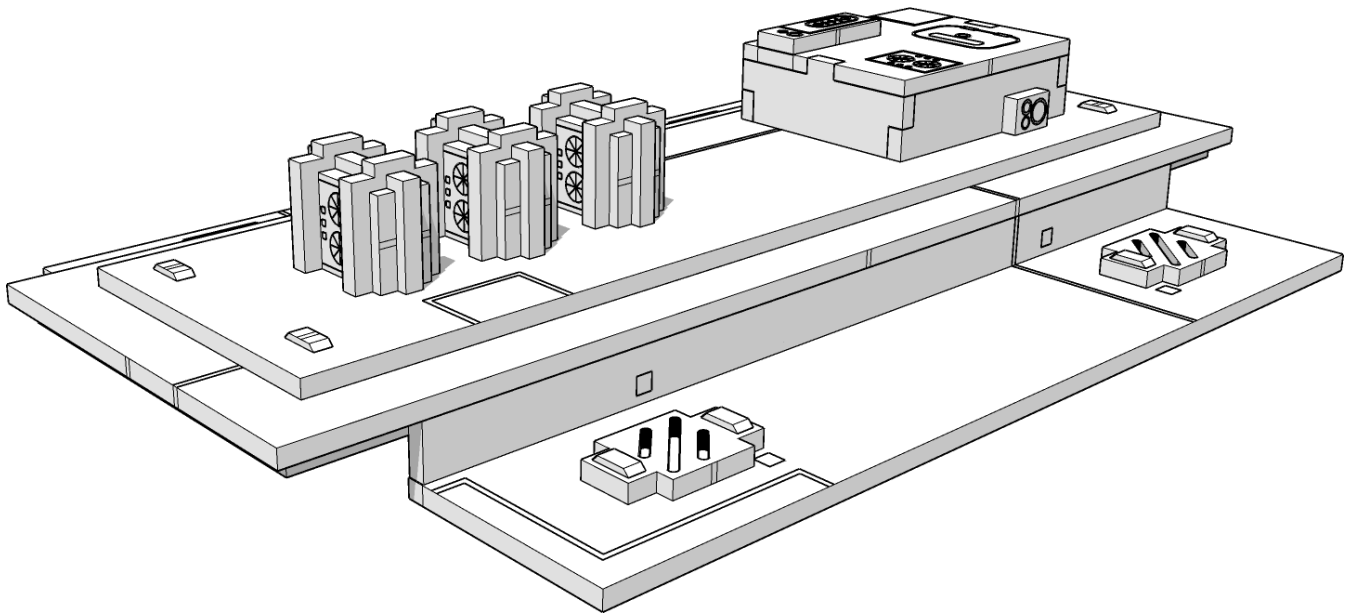




# TABLETOP SCENICS

TTSCW-SFU-153  
QDSC  
Rum Bravo

72



 **TTCOMBAT**

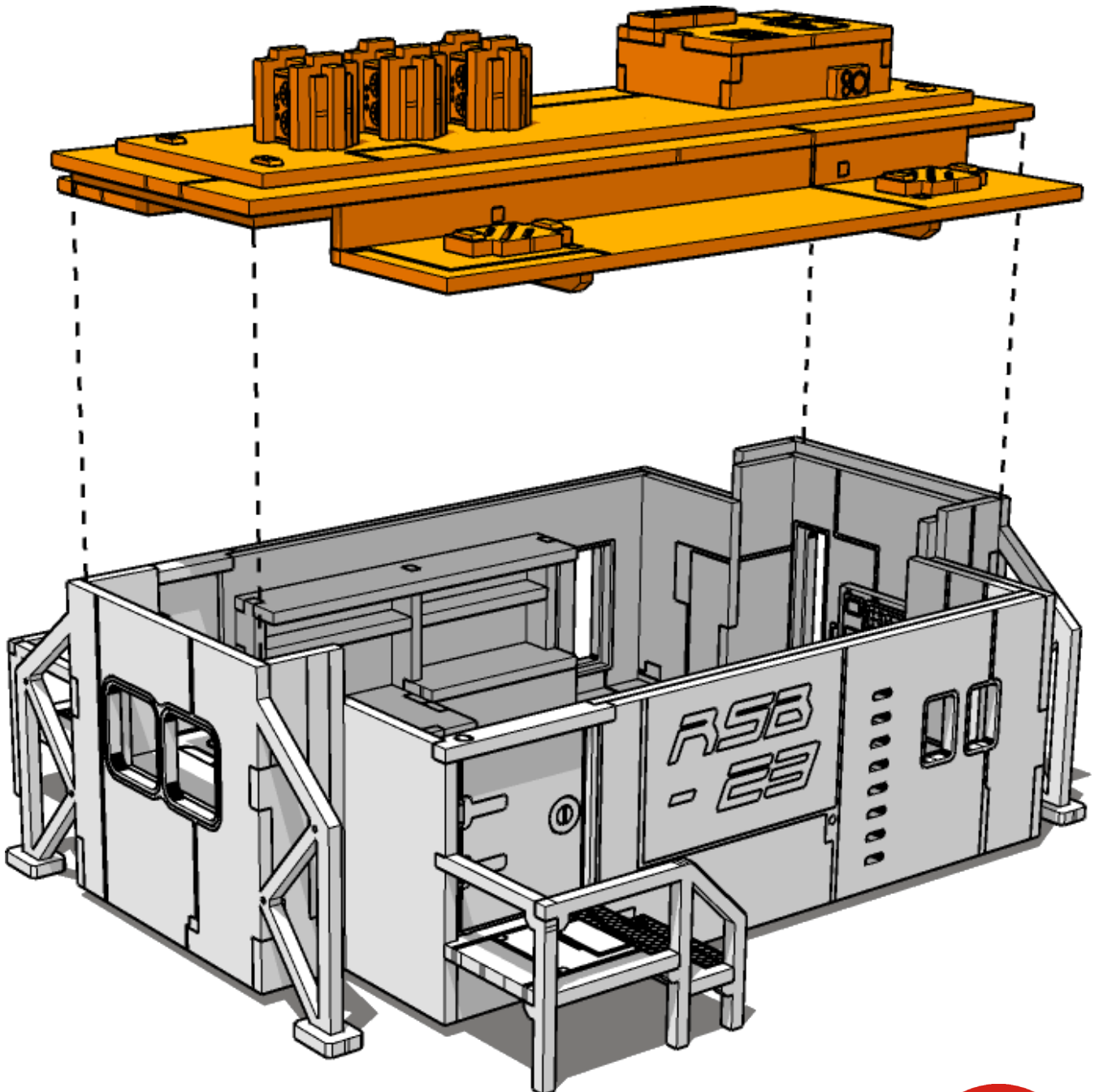




# TABLETOP SCENICS

TTSCW-SFU-153  
QDSC  
Rum Bravo

73

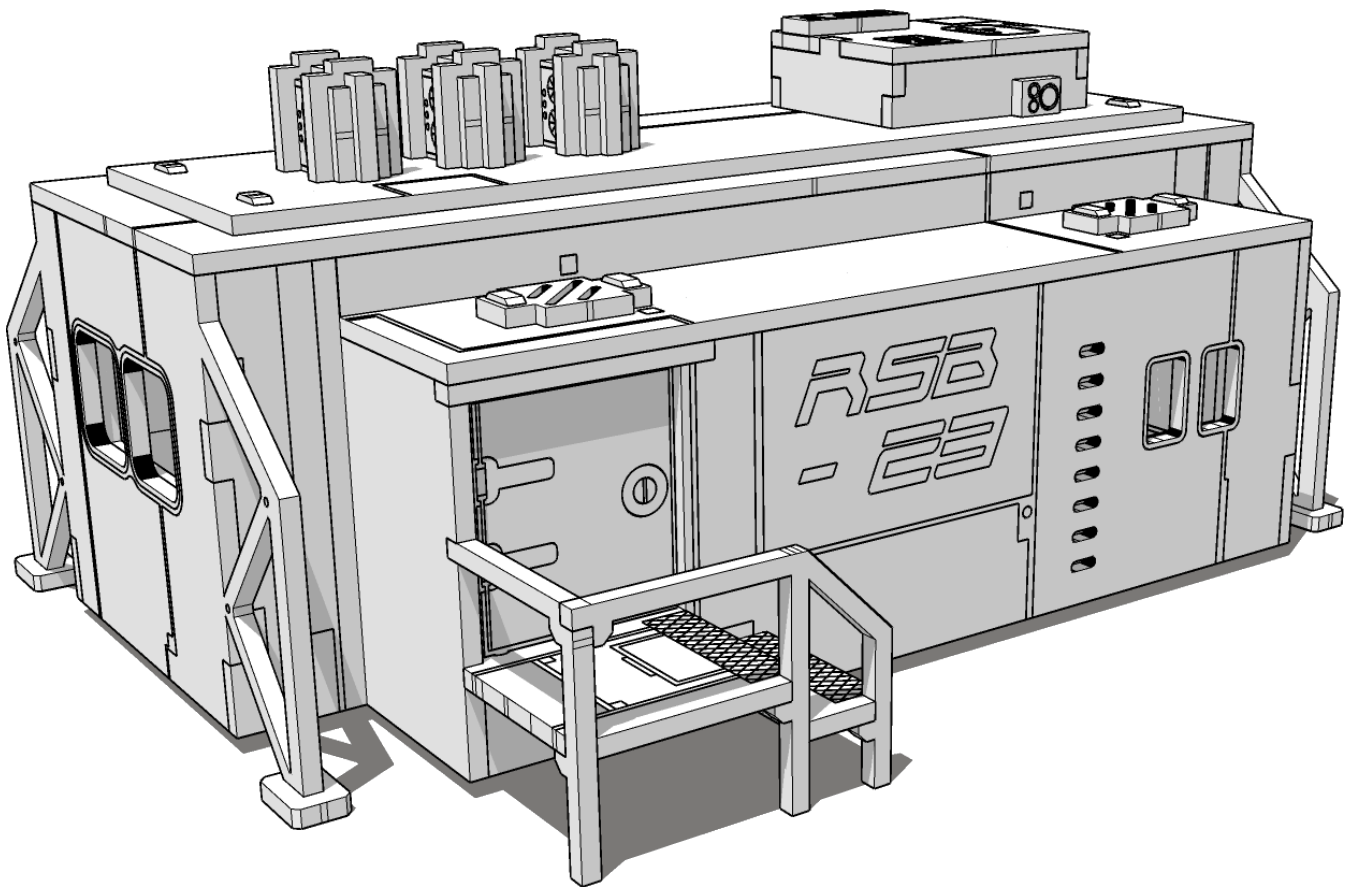




# TABLETOP SCENICS

TTSCW-SFU-153  
QDSC  
Rum Bravo

74



 TCOMBAT