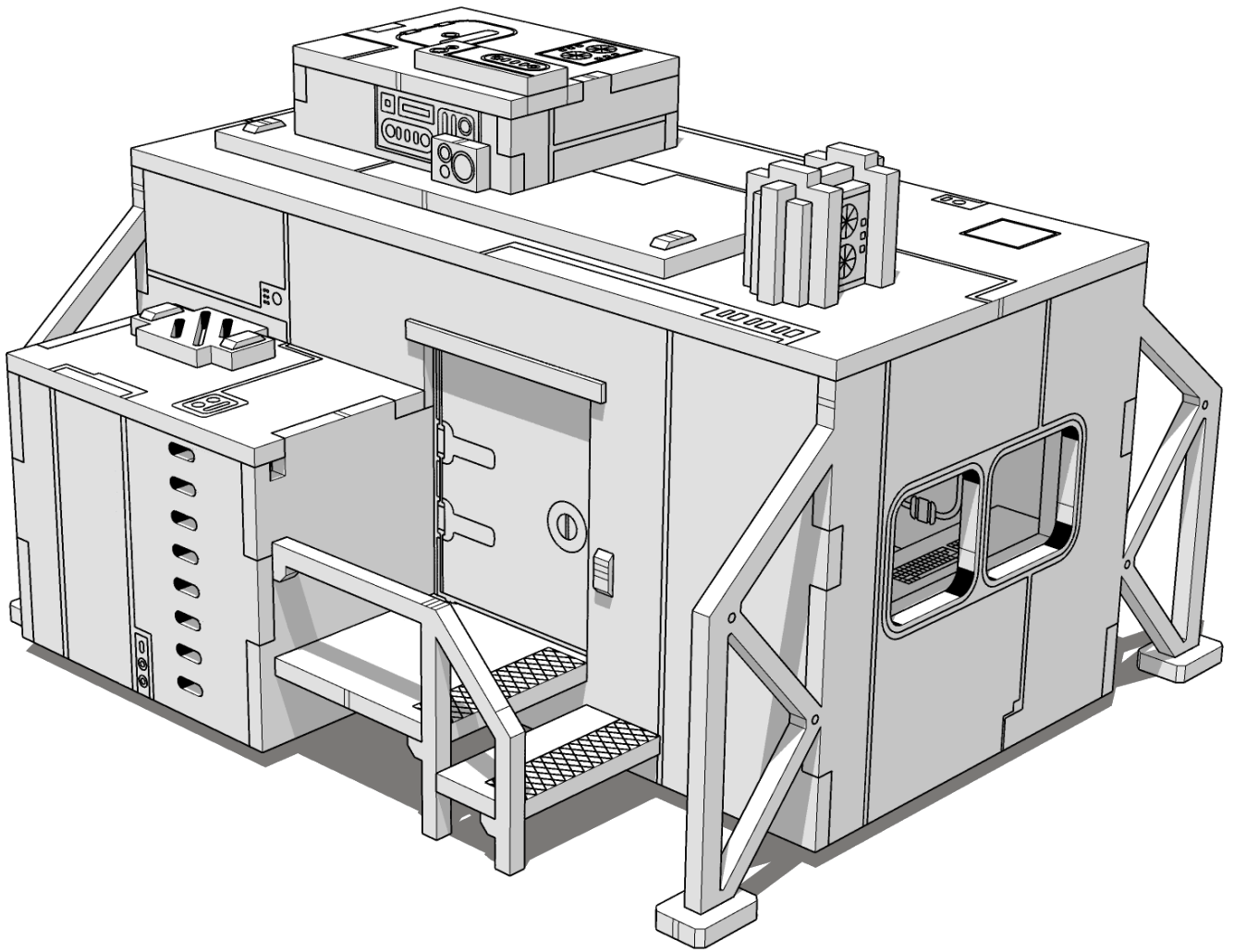




**TABLETOP
SCENICS**

**TTSCW-SFU-152
QDSC
Rum alpha**



 **TTCOMBAT**



TABLETOP SCENICS

TTSCW-SFU-152
QDSC
Rum alpha

2

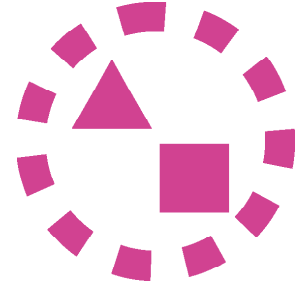
These are a series of icons that may be used throughout the instructions to help your assembly.
If in doubt, scroll ahead to confirm.



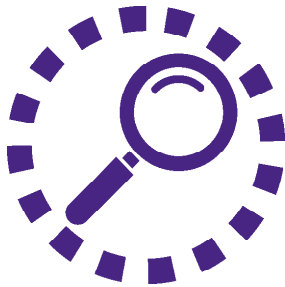
Do not glue this part



Carefully score and
fold this part



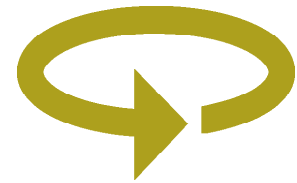
This part - or its placement is
completely optional



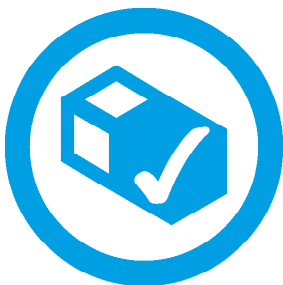
Look closely at this step -
The process order or part
used, may be specific



Repeat making this part
the specified number
of times



The next instruction step
will be the same assembly
so far, but from a different
angle



Sub-assembly complete.
This smaller construction
is ready to add to the
main kit



Assembly Complete! There
could be more optional
parts - check to the very end
of instructions



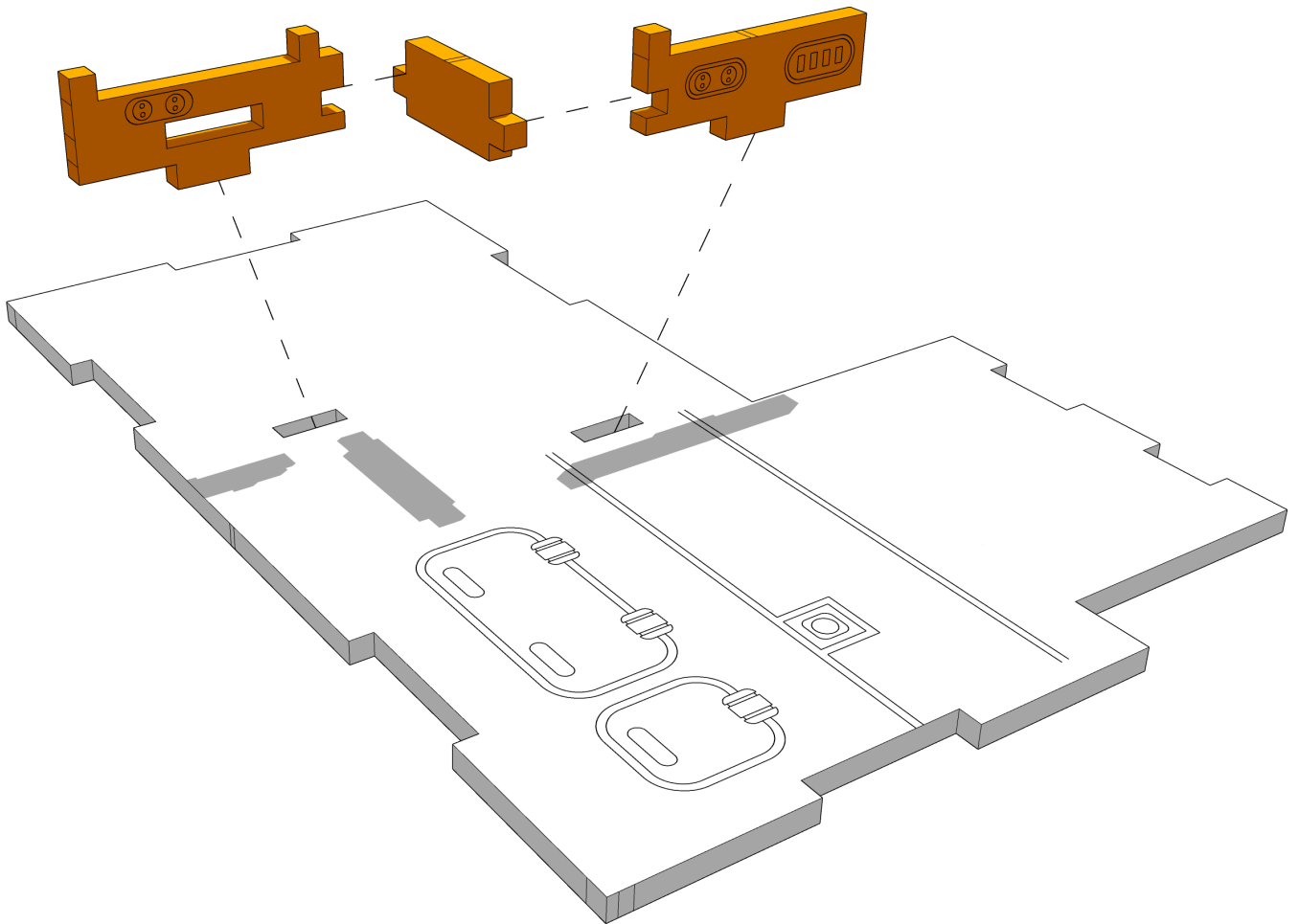
FRAGILE: DO NOT BEND.
“Bendy wood” is designed to
curve around a designed
frame only.



TABLETOP SCENICS

TTSCW-SFU-152
QDSC
Rum alpha

3

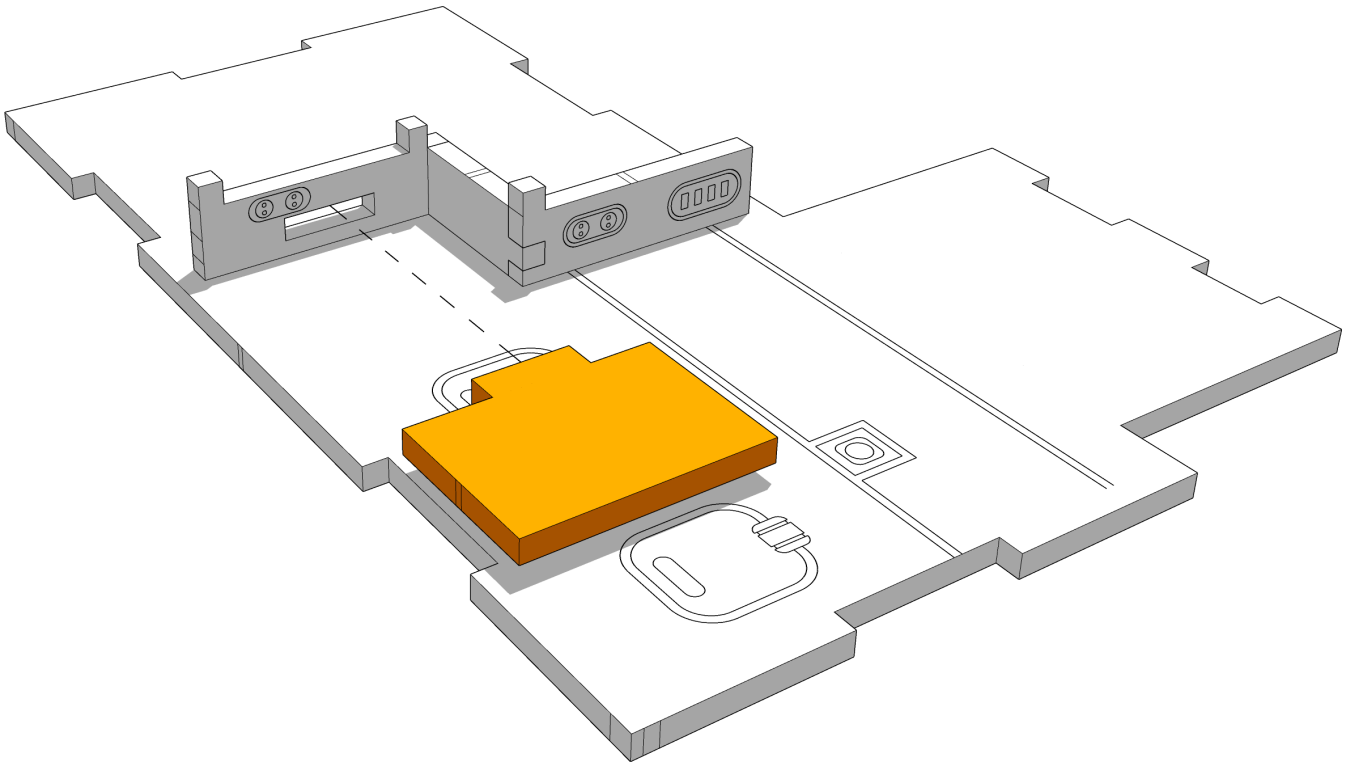




TABLETOP SCENICS

TTSCW-SFU-152
QDSC
Rum alpha

4

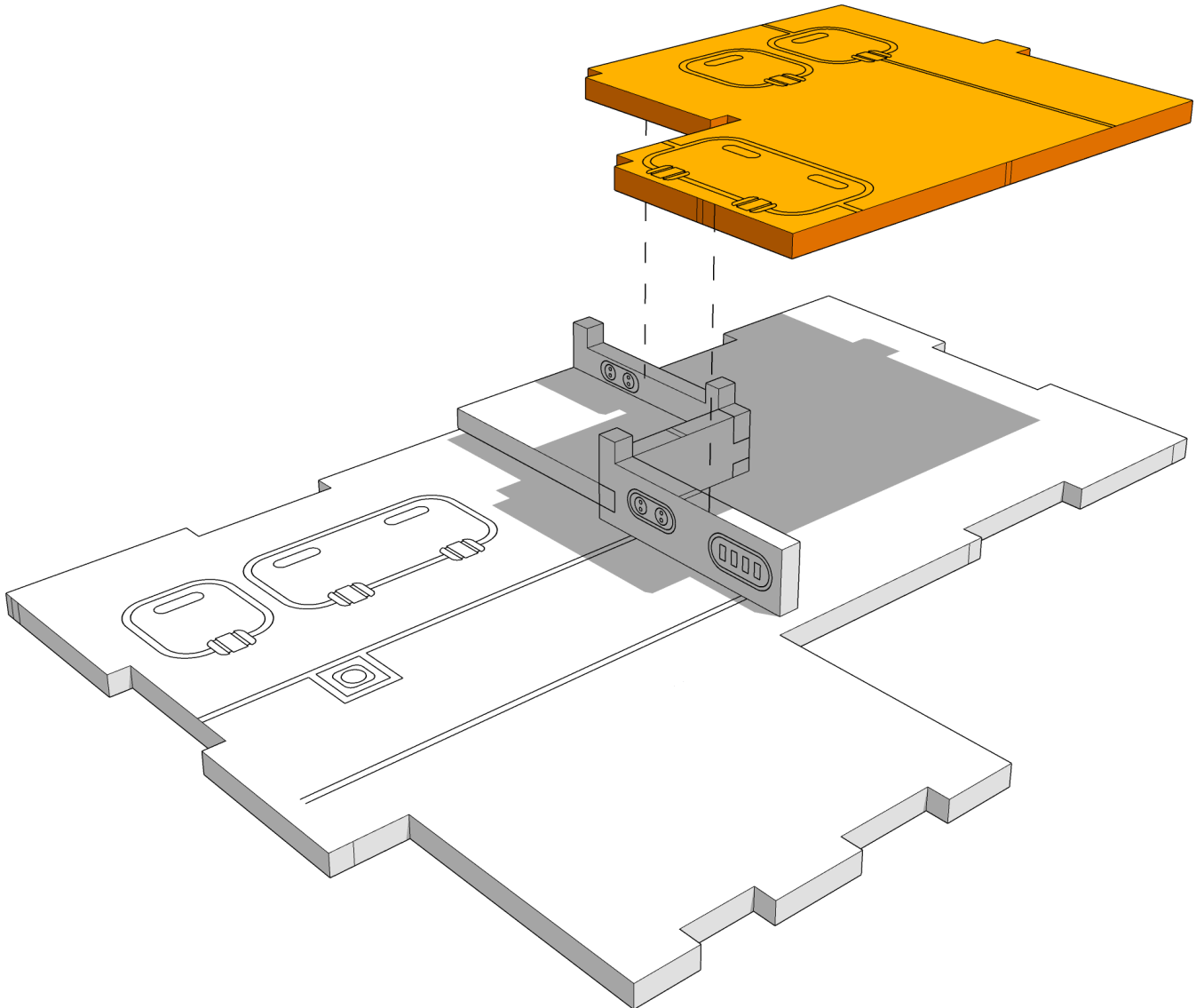




TABLETOP SCENICS

TTSCW-SFU-152
QDSC
Rum alpha

5

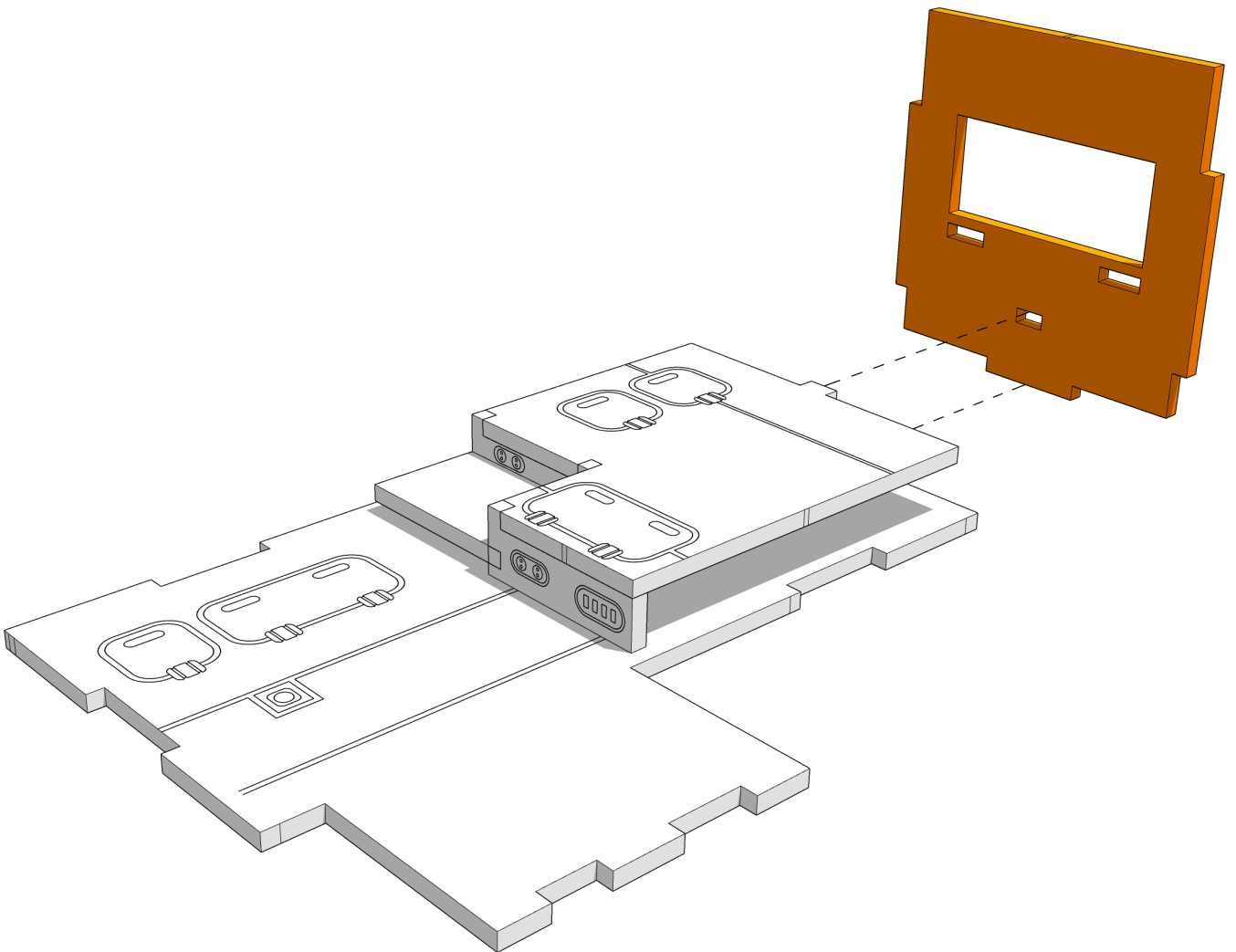




TABLETOP SCENICS

TTSCW-SFU-152
QDSC
Rum alpha

6

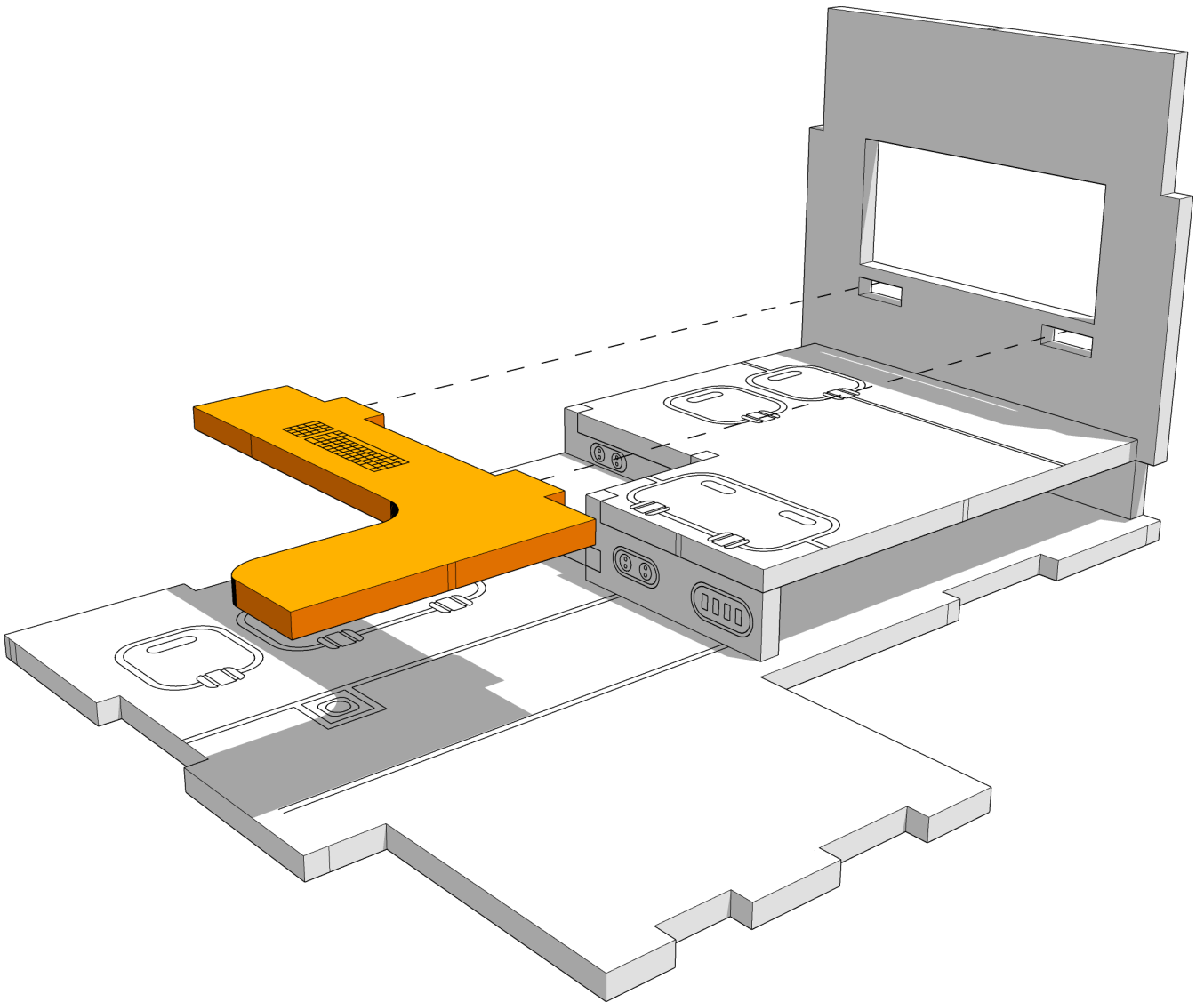




TABLETOP SCENICS

TTSCW-SFU-152
QDSC
Rum alpha

7

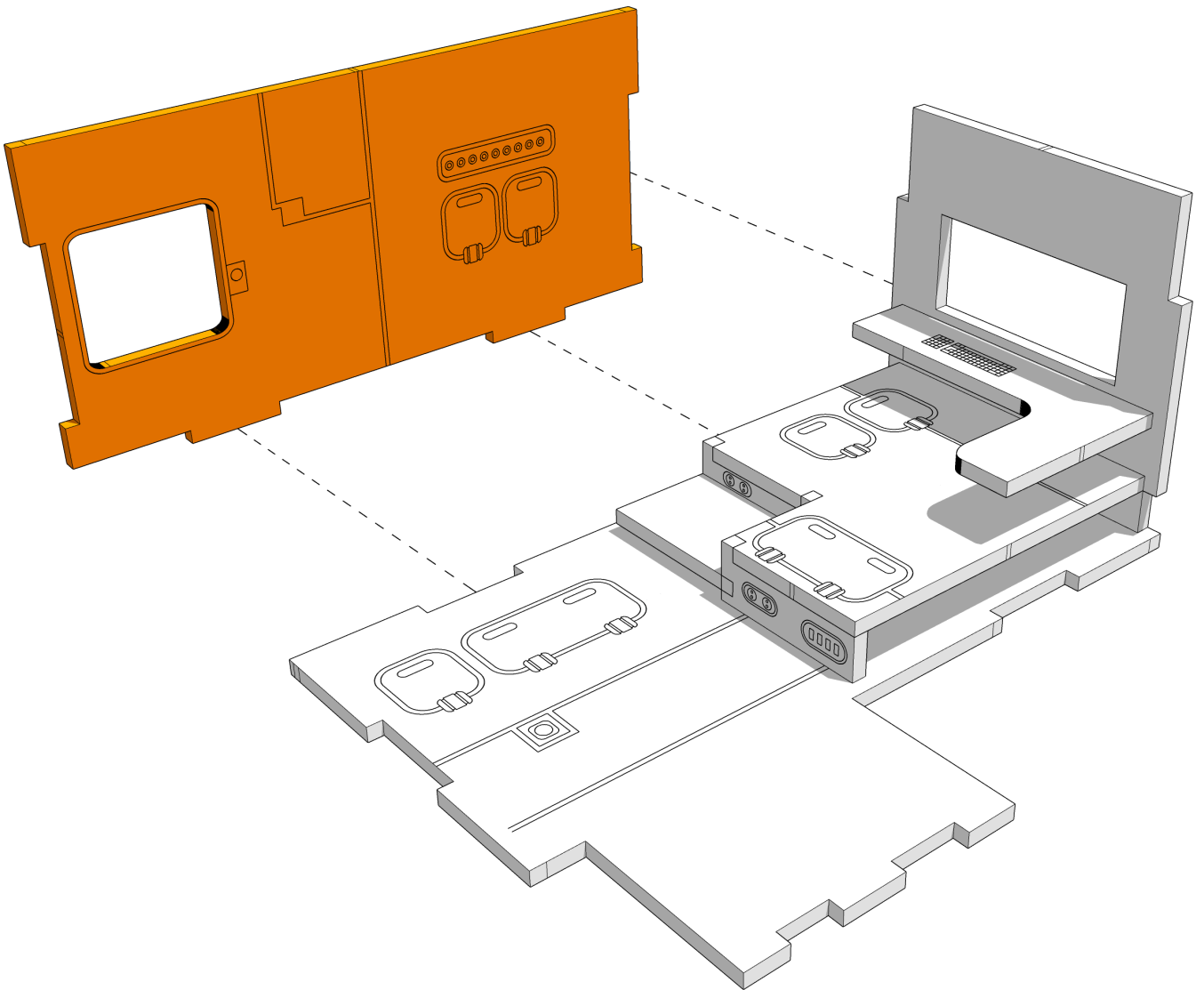




TABLETOP SCENICS

TTSCW-SFU-152
QDSC
Rum alpha

8

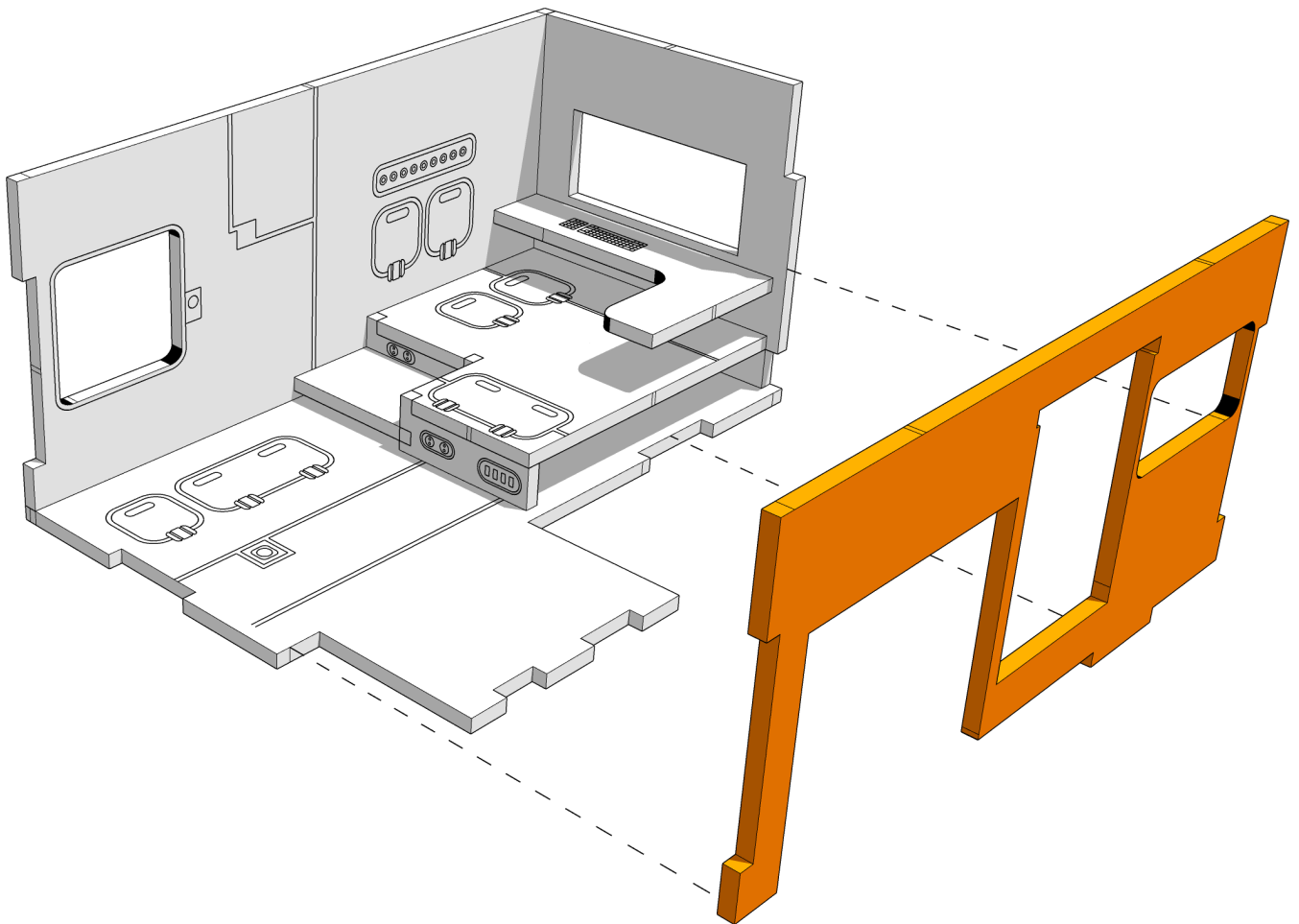




TABLETOP SCENICS

TTSCW-SFU-152
QDSC
Rum alpha

9

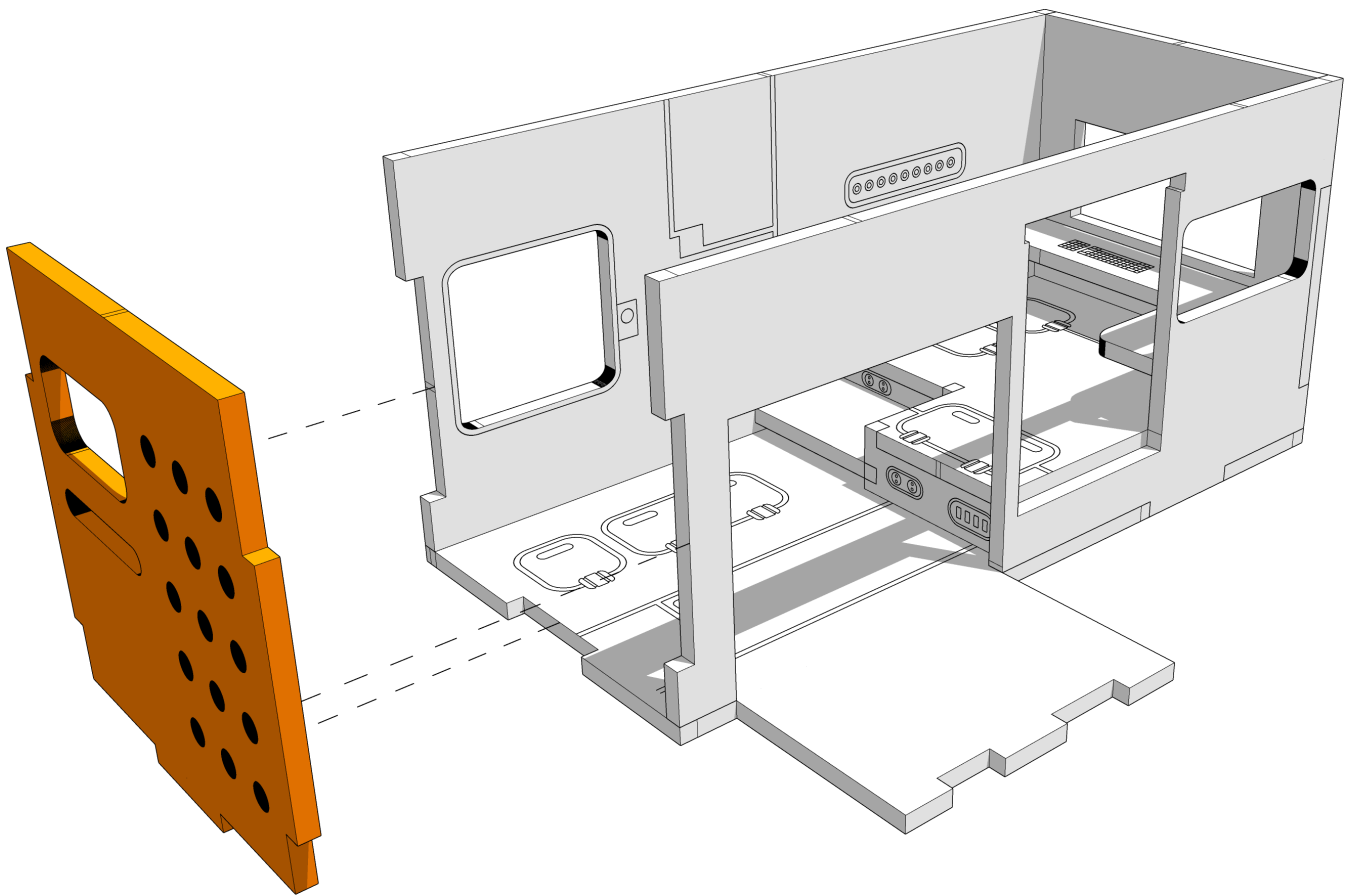




TABLETOP SCENICS

TTSCW-SFU-152
QDSC
Rum alpha

10

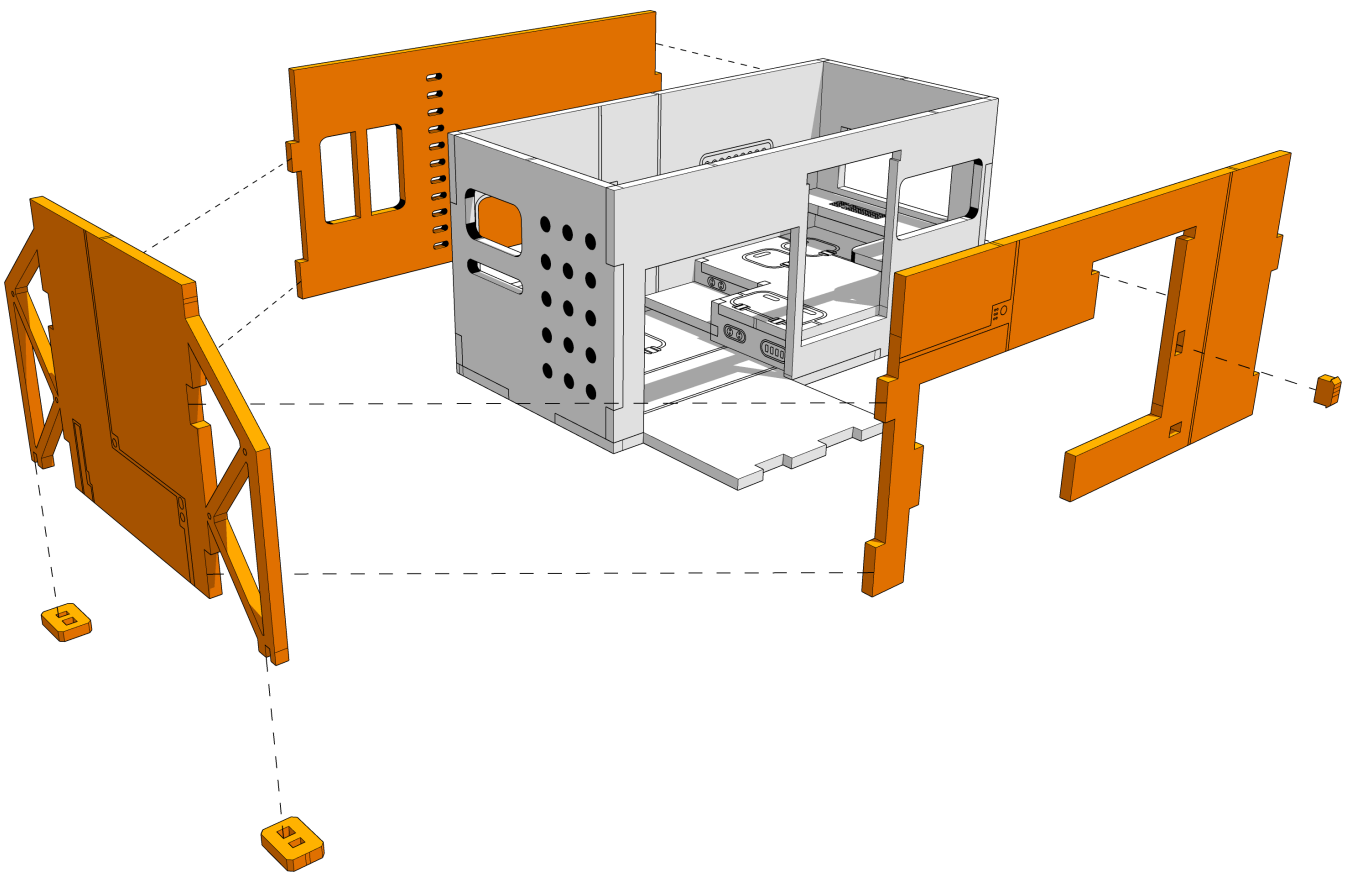




TABLETOP SCENICS

TTSCW-SFU-152
QDSC
Rum alpha

11

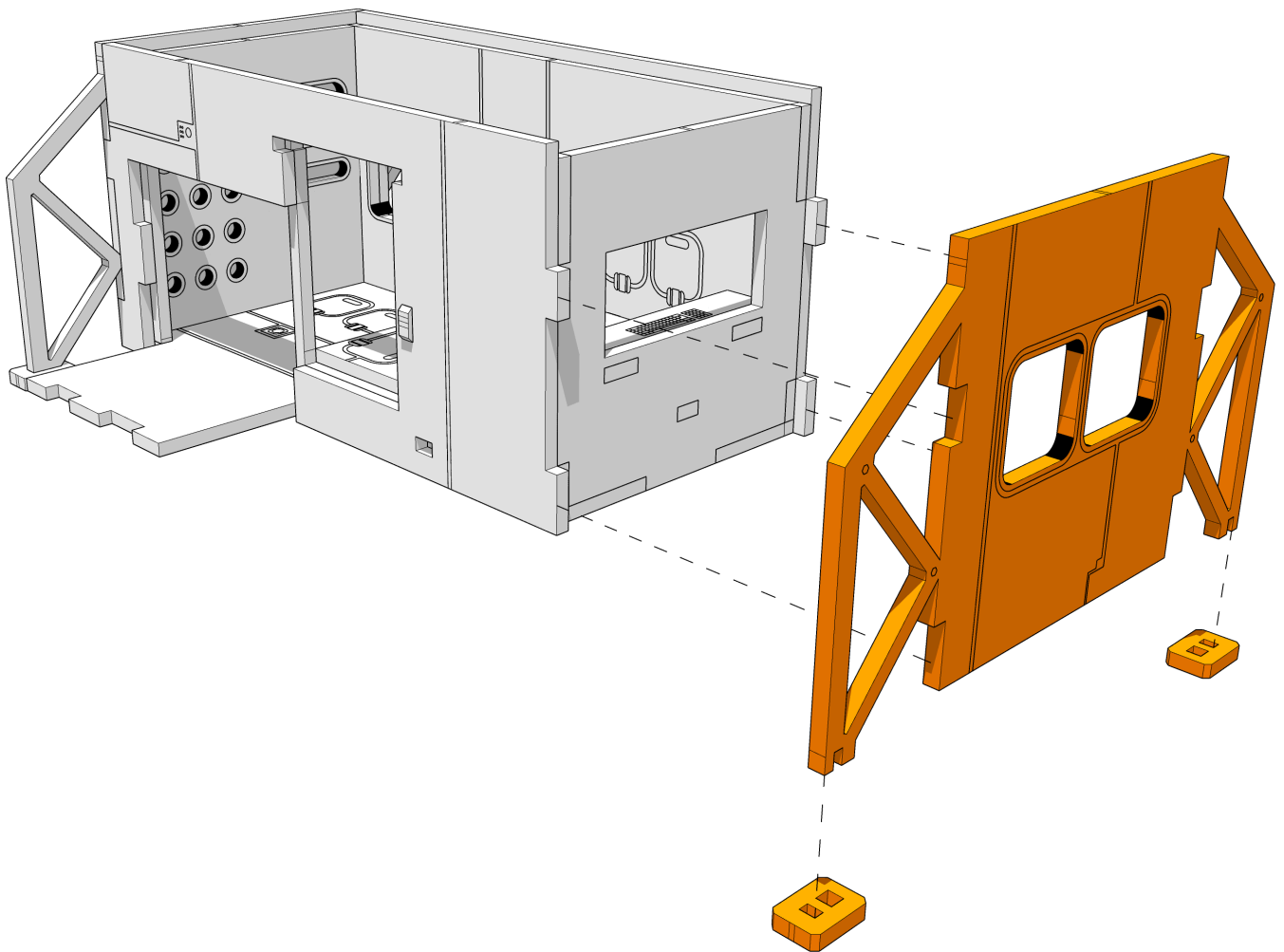




TABLETOP SCENICS

TTSCW-SFU-152
QDSC
Rum alpha

12

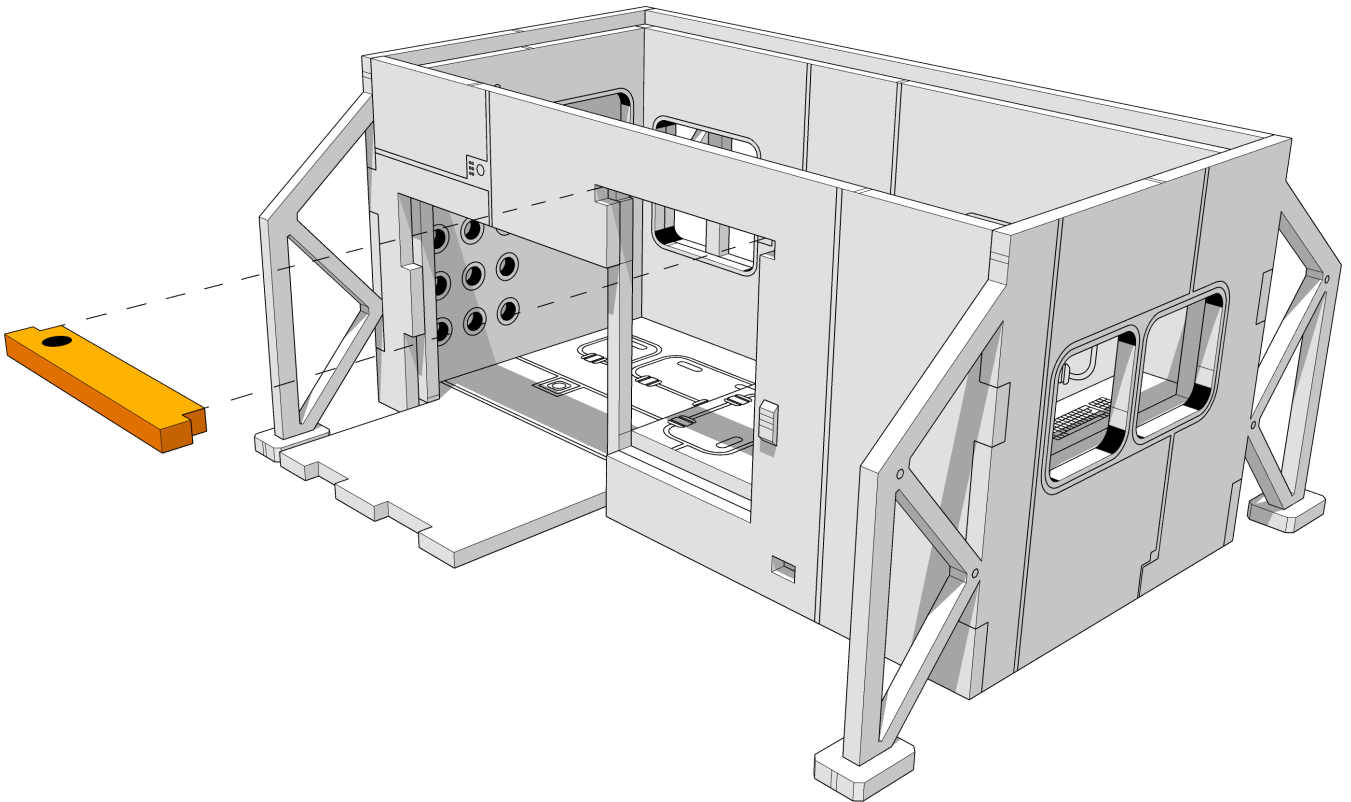




TABLETOP SCENICS

TTSCW-SFU-152
QDSC
Rum alpha

13



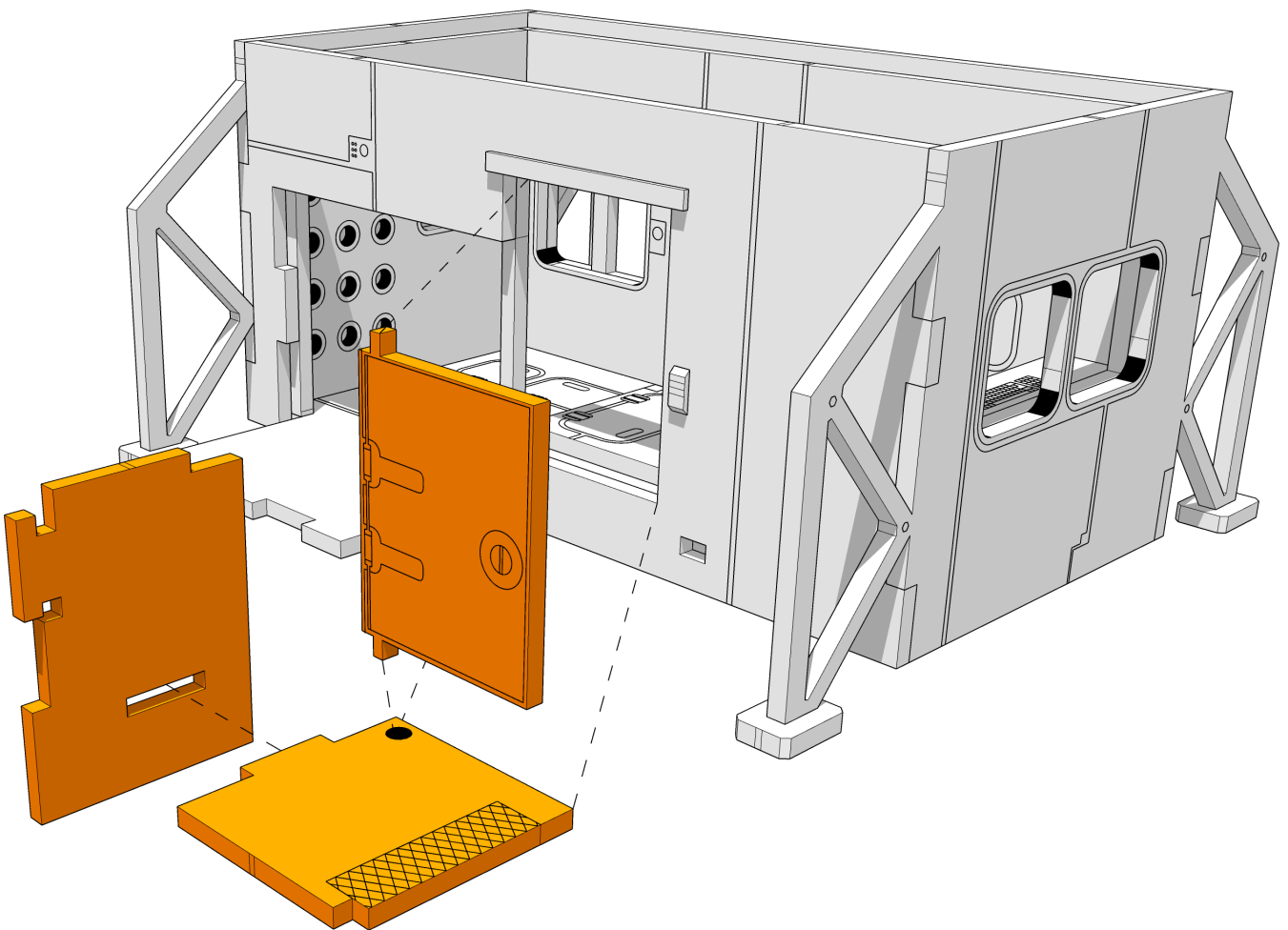
Do not get glue into the circular hinge



TABLETOP SCENICS

TTSCW-SFU-152
QDSC
Rum alpha

14



Do not get glue into the circular hinge

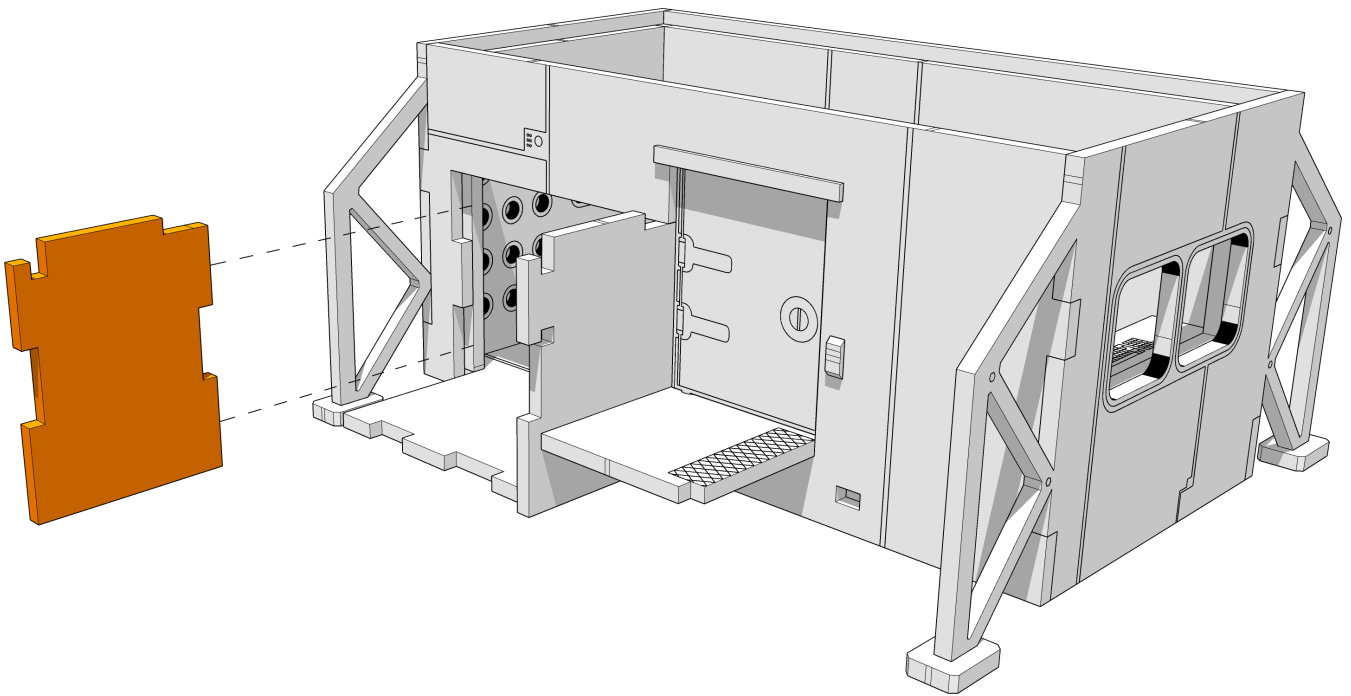




TABLETOP SCENICS

TTSCW-SFU-152
QDSC
Rum alpha

15

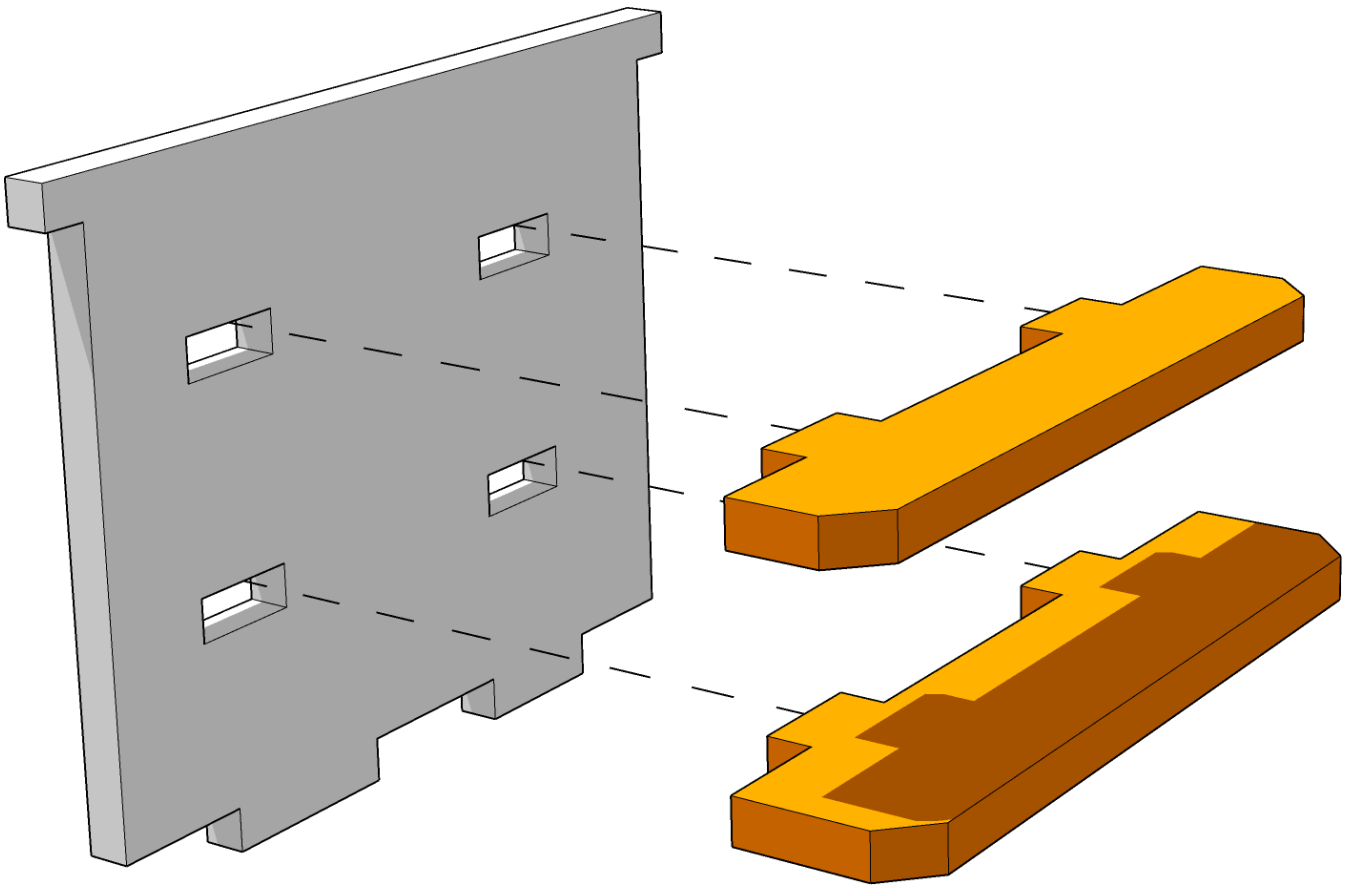




TABLETOP SCENICS

TTSCW-SFU-152
QDSC
Rum alpha

16

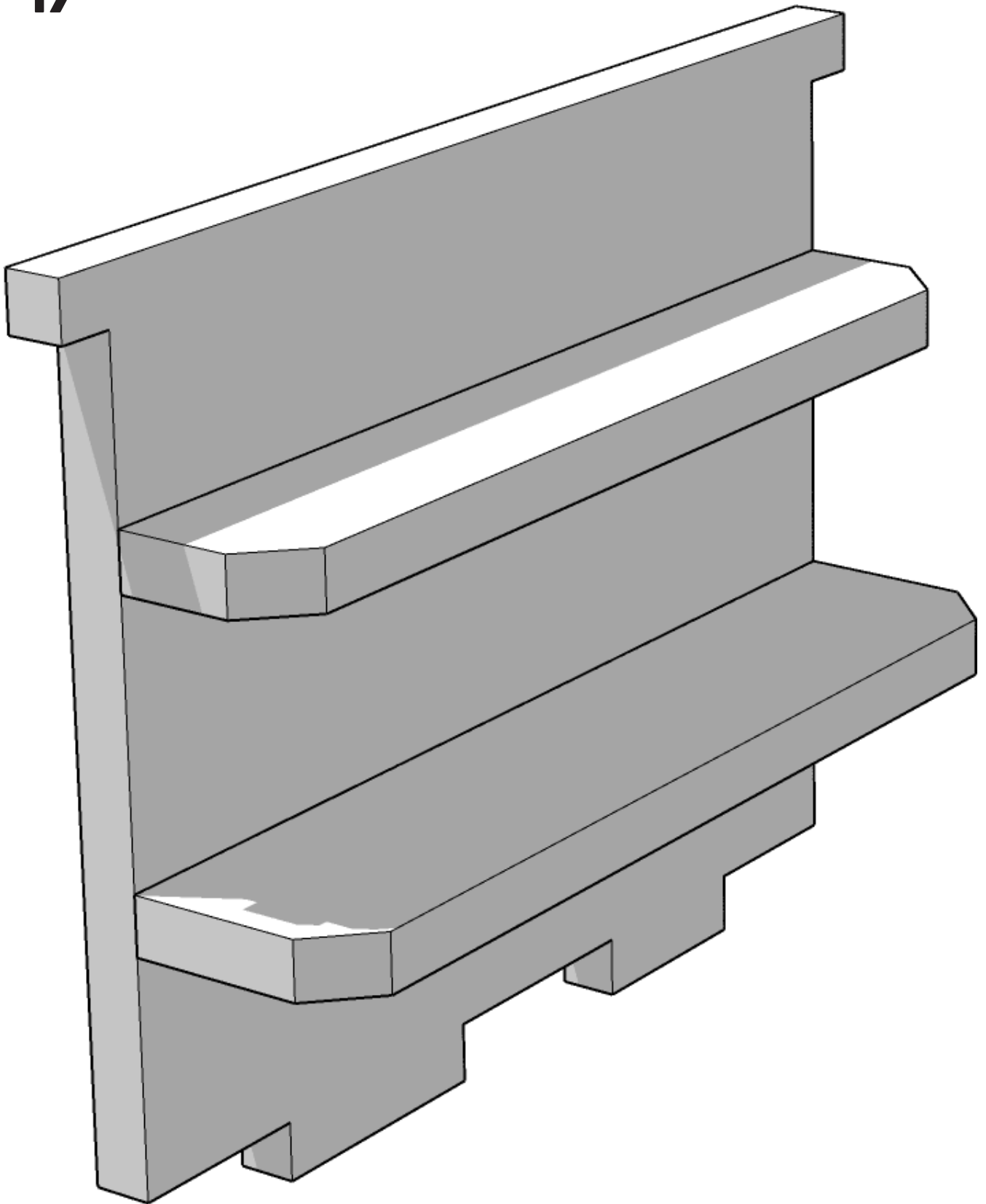




TABLETOP SCENICS

TTSCW-SFU-152
QDSC
Rum alpha

17

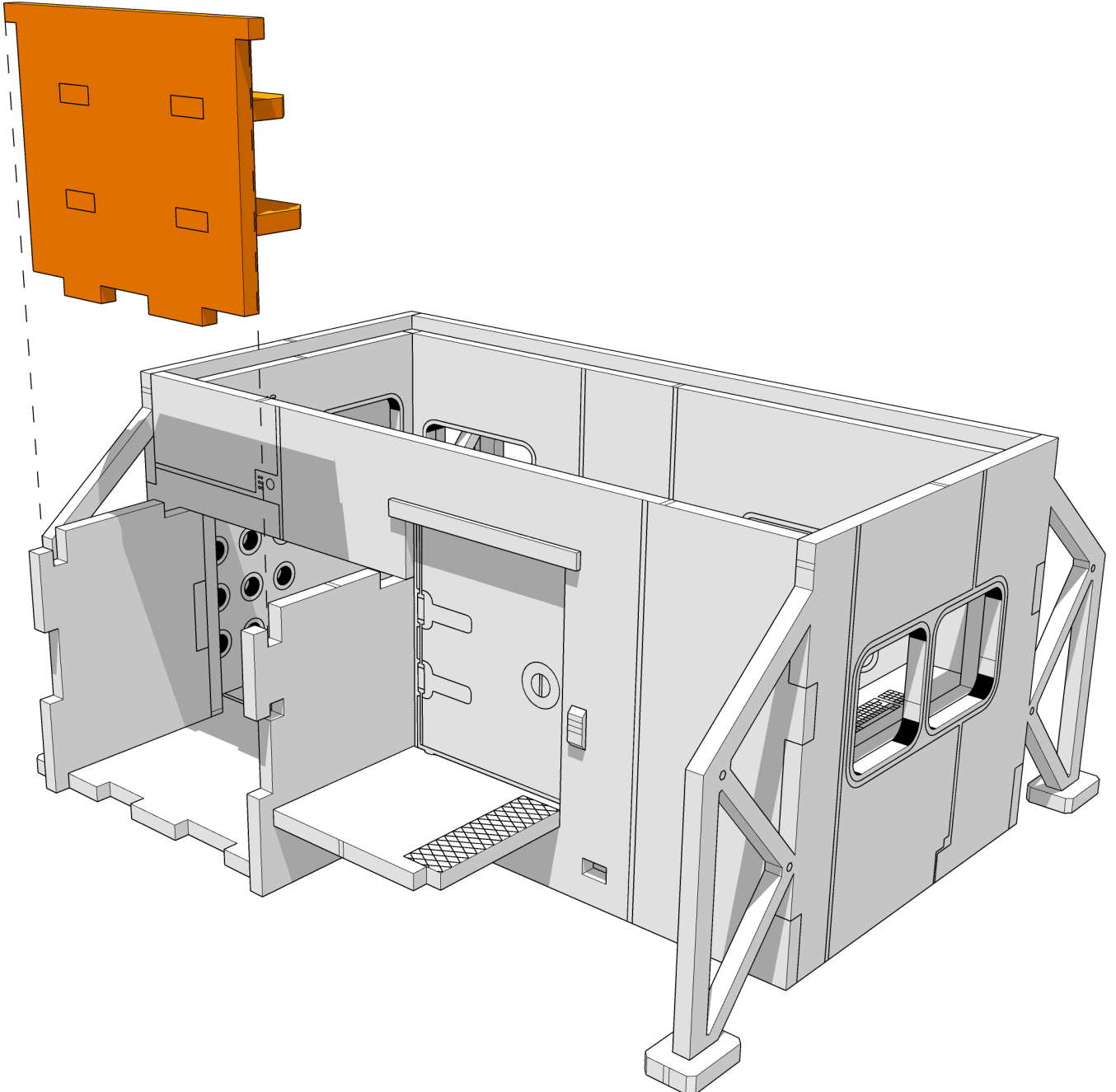




TABLETOP SCENICS

TTSCW-SFU-152
QDSC
Rum alpha

18

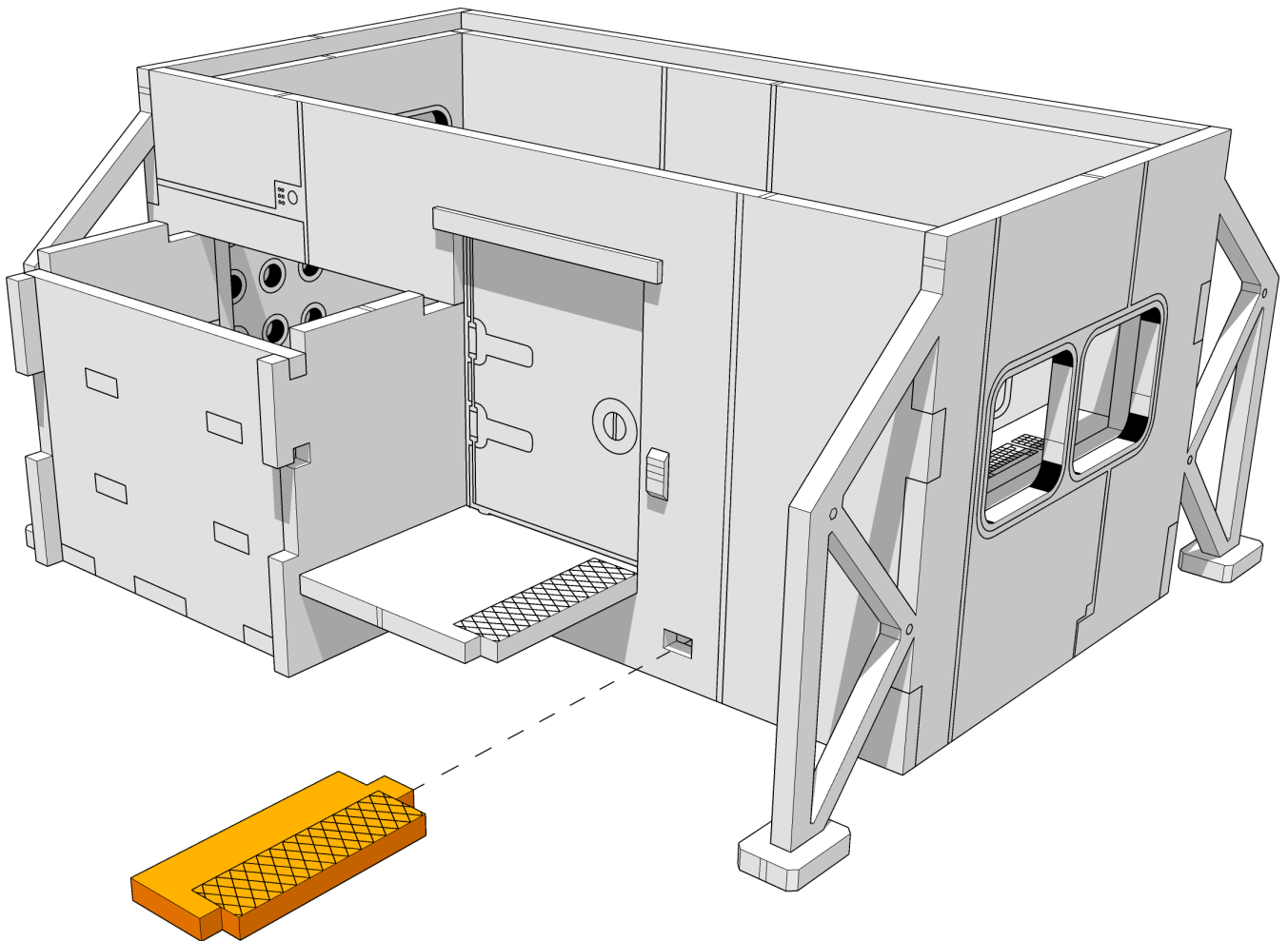




TABLETOP SCENICS

TTSCW-SFU-152
QDSC
Rum alpha

19

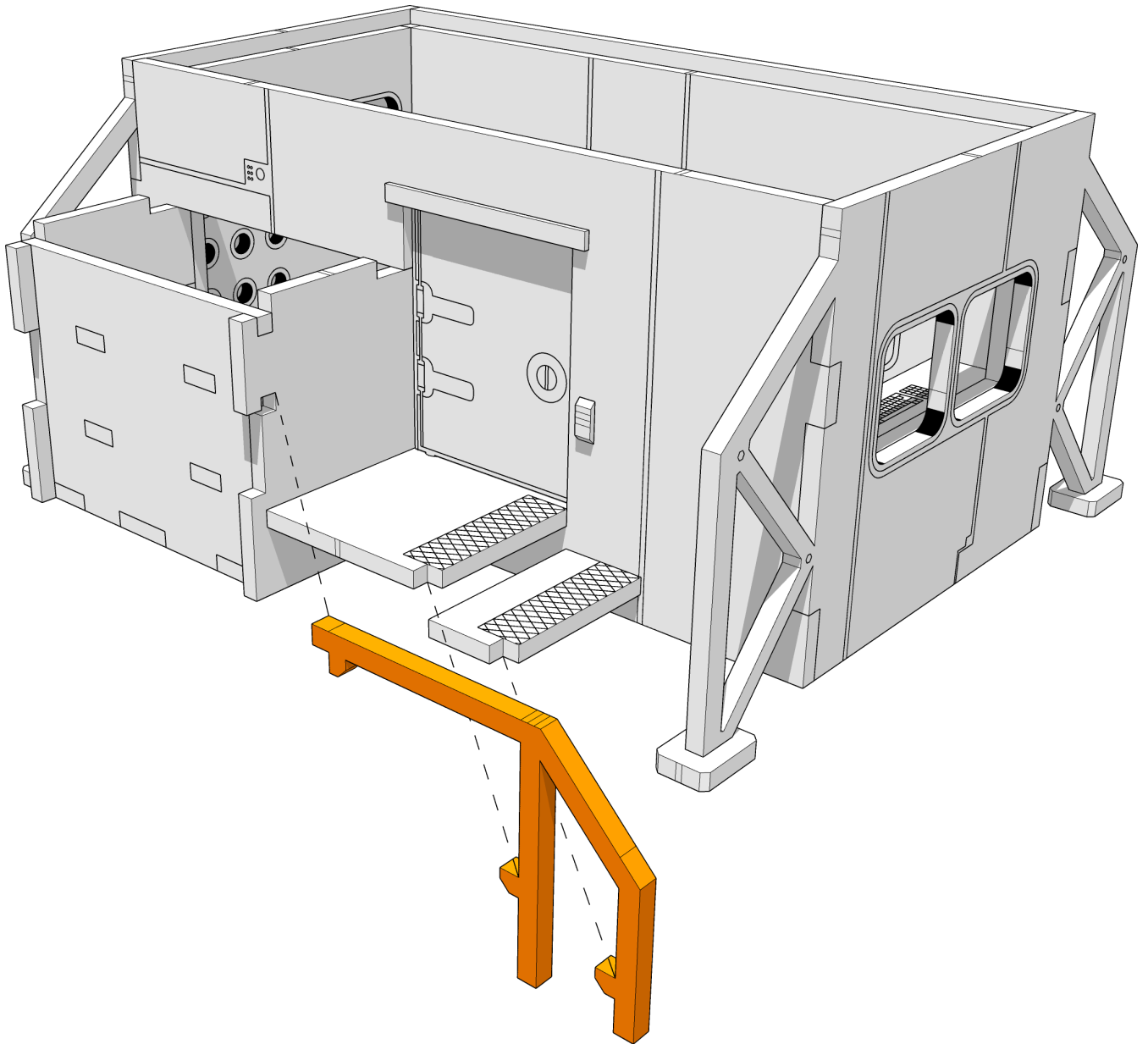




TABLETOP SCENICS

TTSCW-SFU-152
QDSC
Rum alpha

20

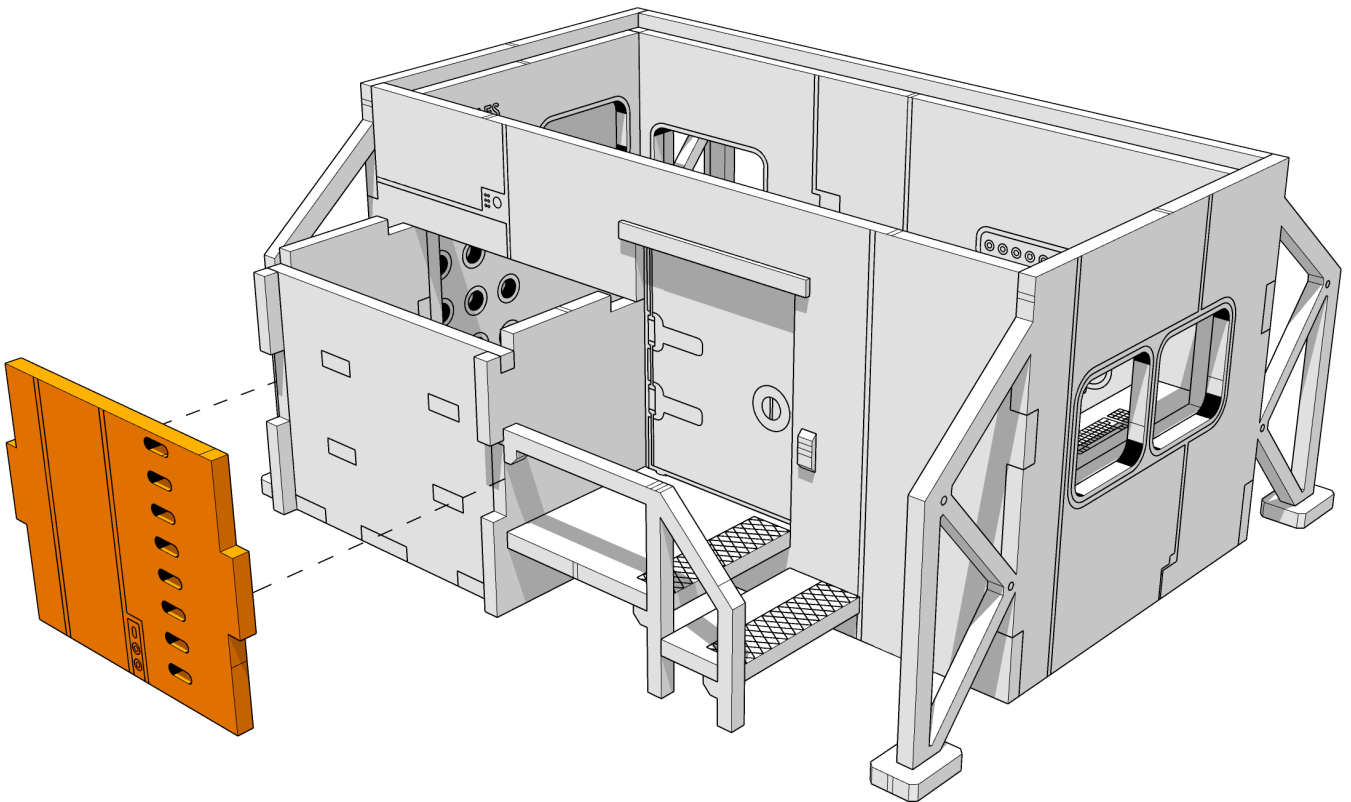




TABLETOP SCENICS

TTSCW-SFU-152
QDSC
Rum alpha

21

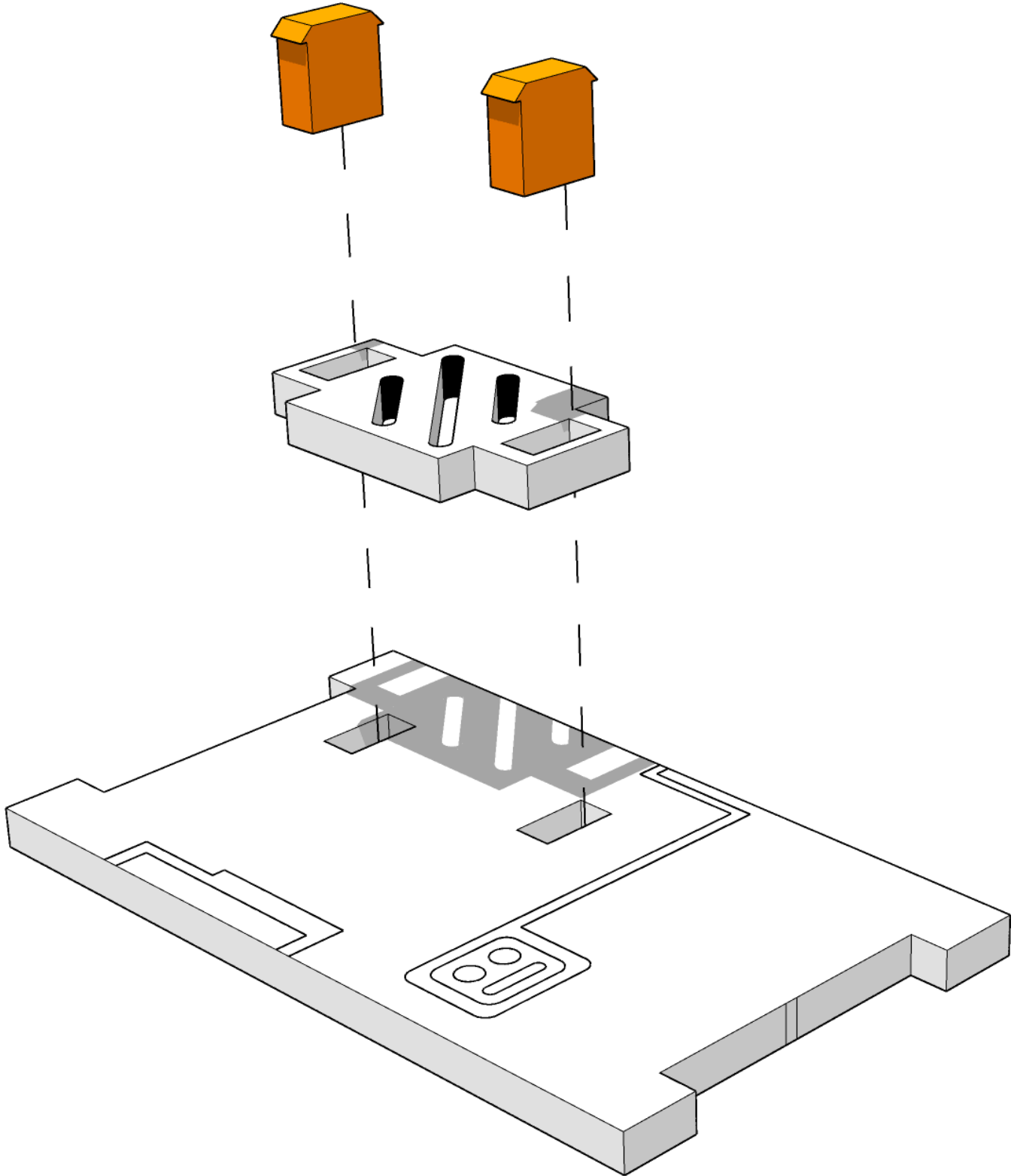




TABLETOP SCENICS

TTSCW-SFU-152
QDSC
Rum alpha

22

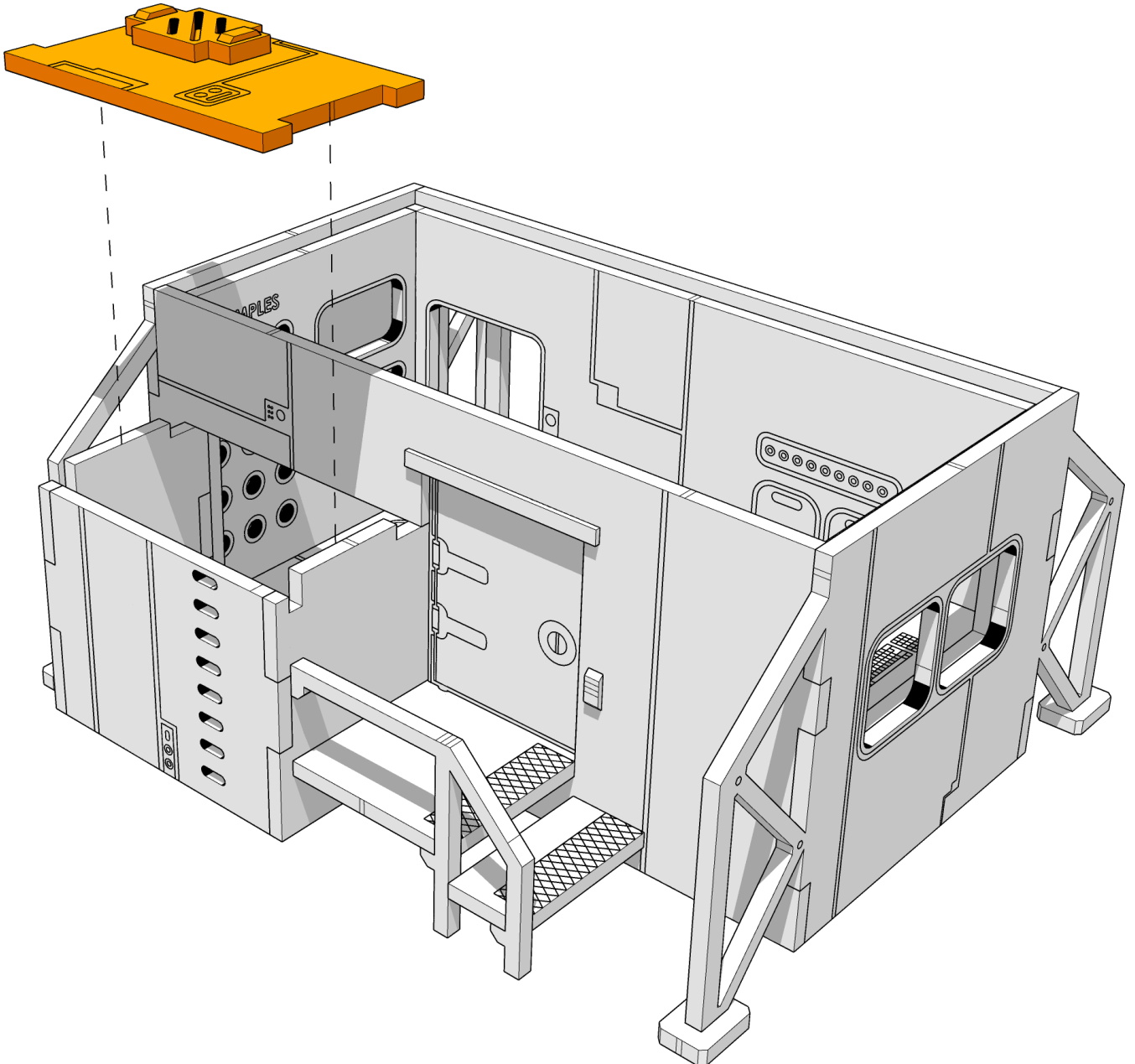




TABLETOP SCENICS

TTSCW-SFU-152
QDSC
Rum alpha

23

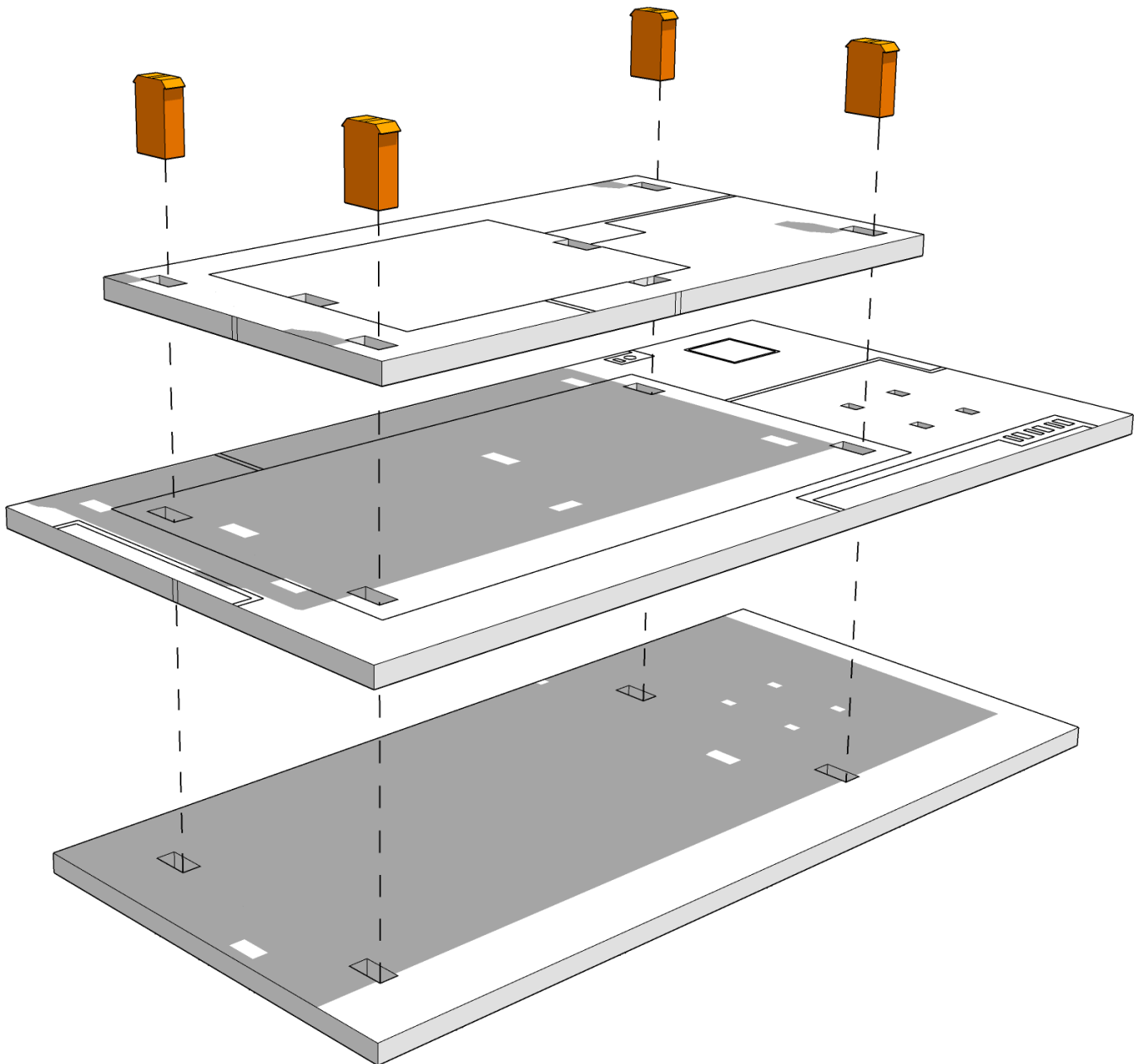




TABLETOP SCENICS

TTSCW-SFU-152
QDSC
Rum alpha

24

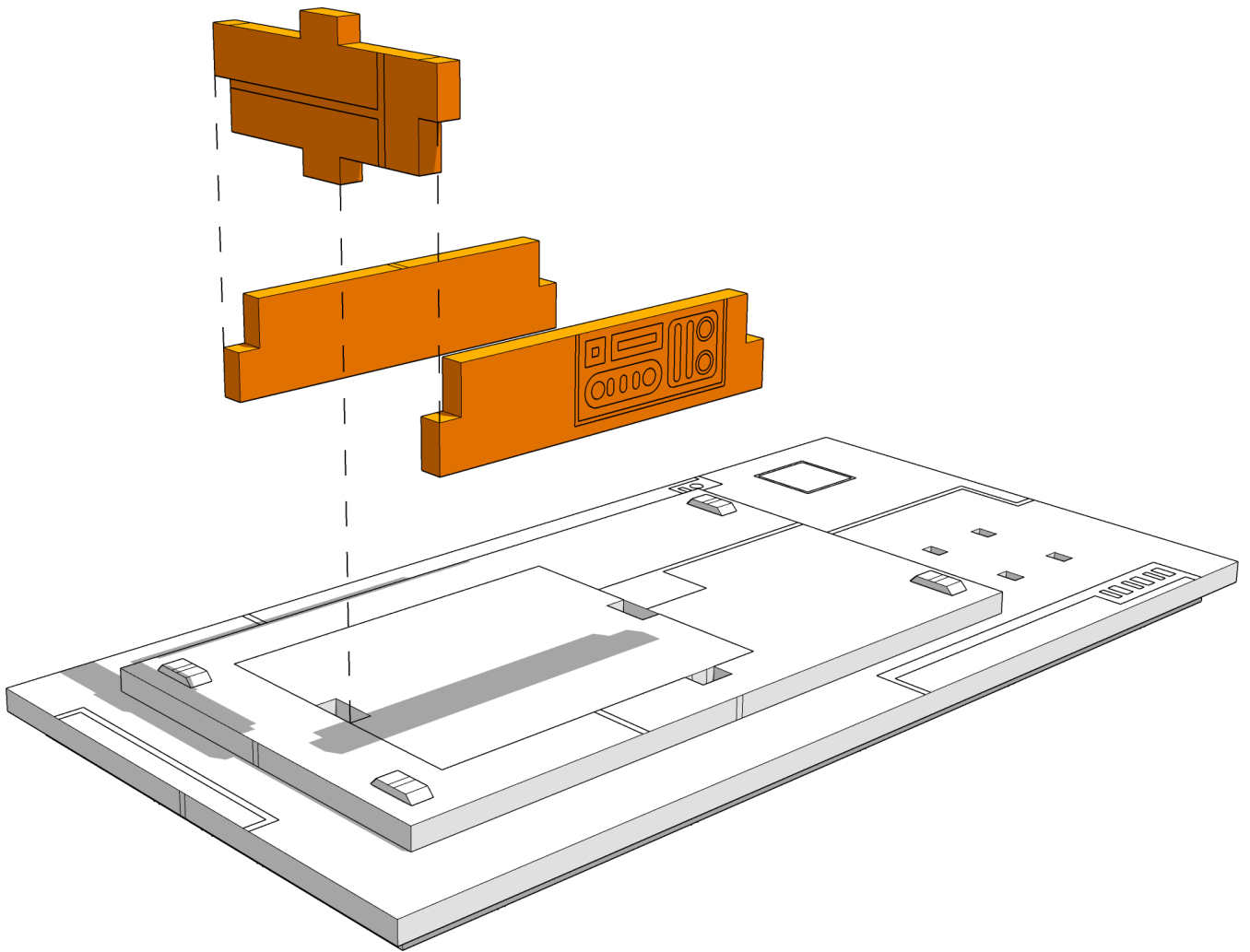




TABLETOP SCENICS

TTSCW-SFU-152
QDSC
Rum alpha

25

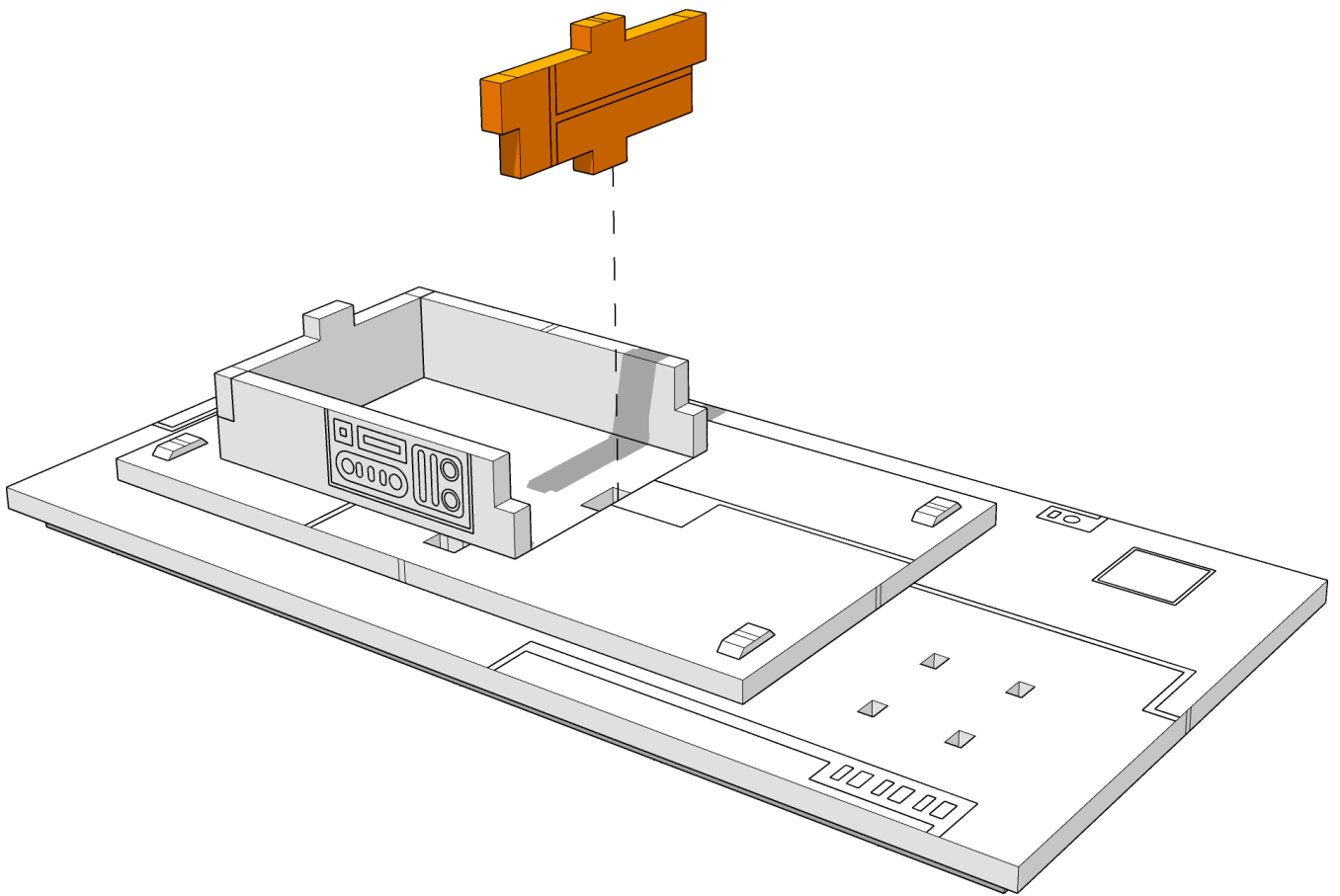




TABLETOP SCENICS

TTSCW-SFU-152
QDSC
Rum alpha

26

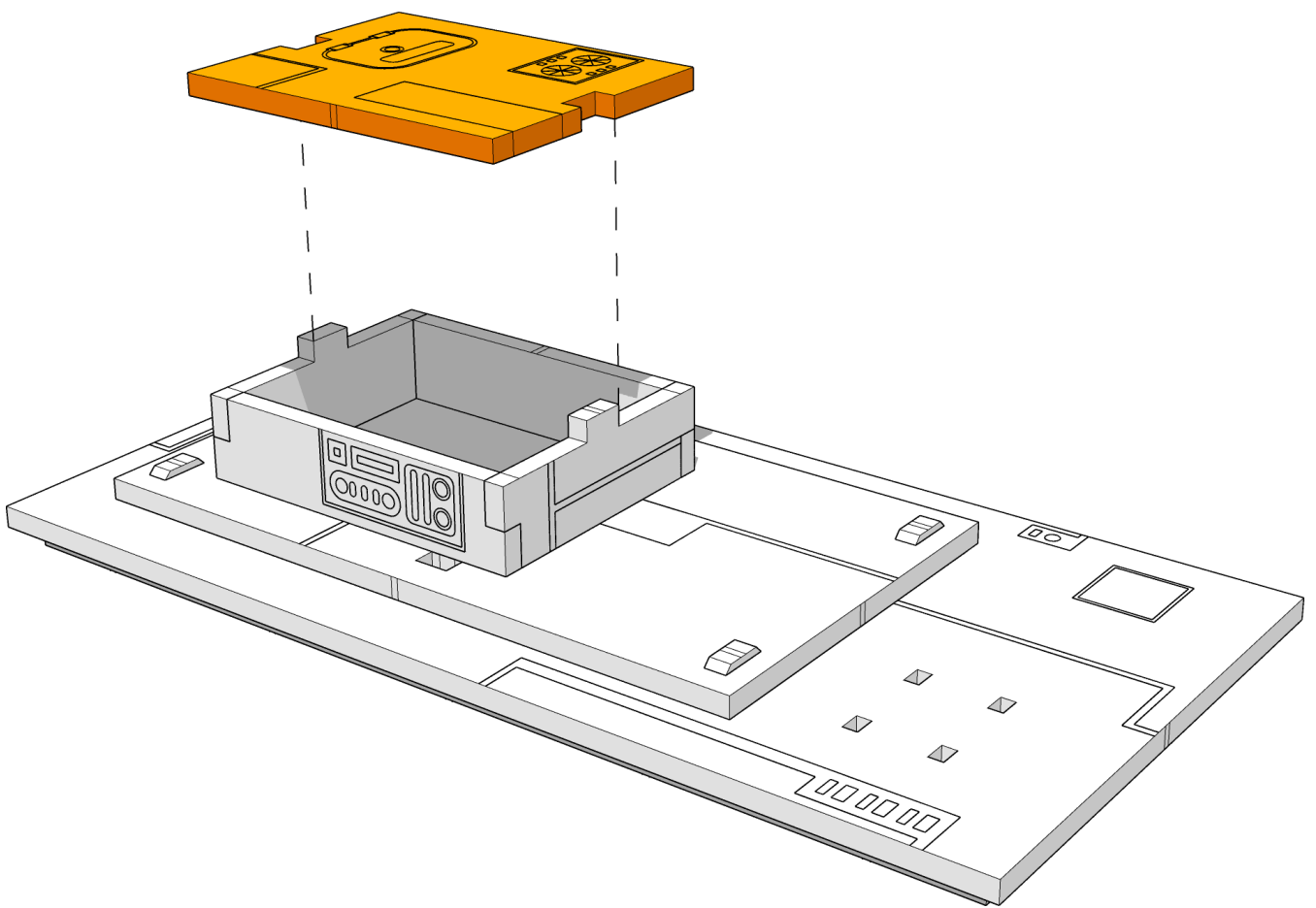




TABLETOP SCENICS

TTSCW-SFU-152
QDSC
Rum alpha

27

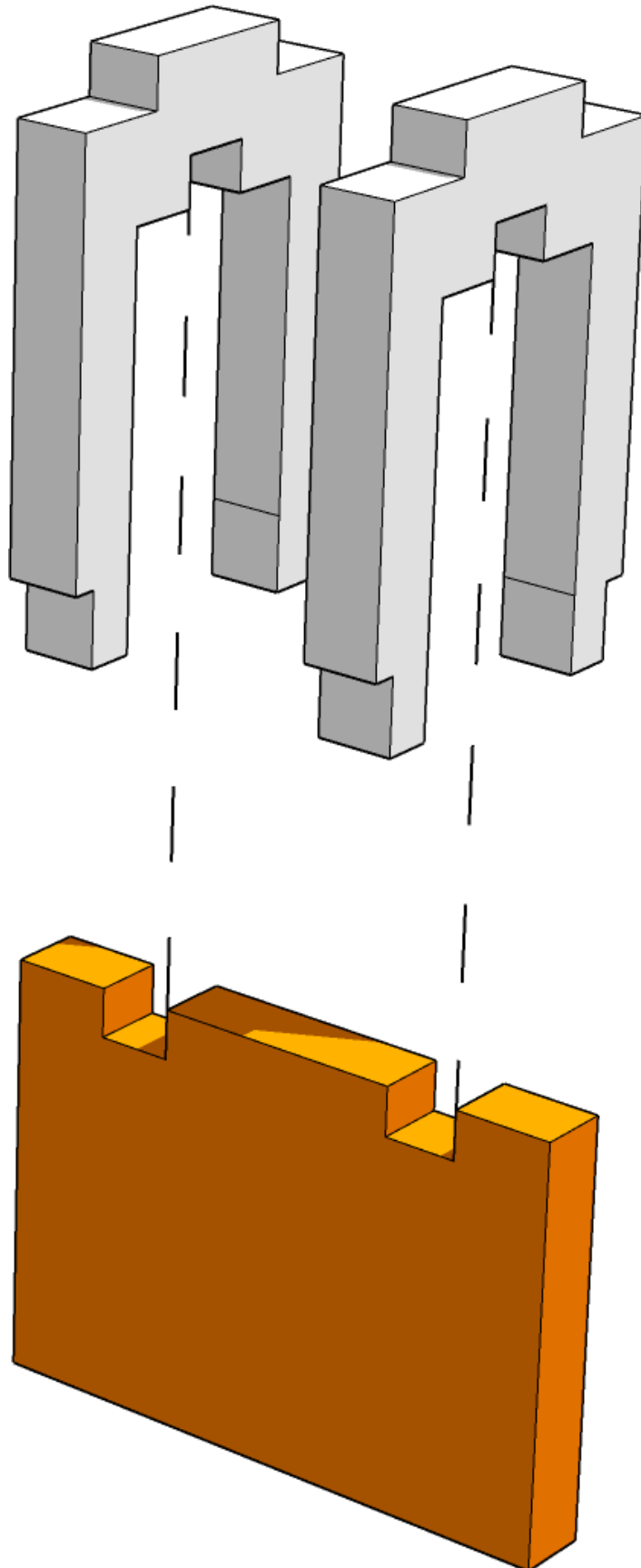




TABLETOP SCENICS

TTSCW-SFU-152
QDSC
Rum alpha

28

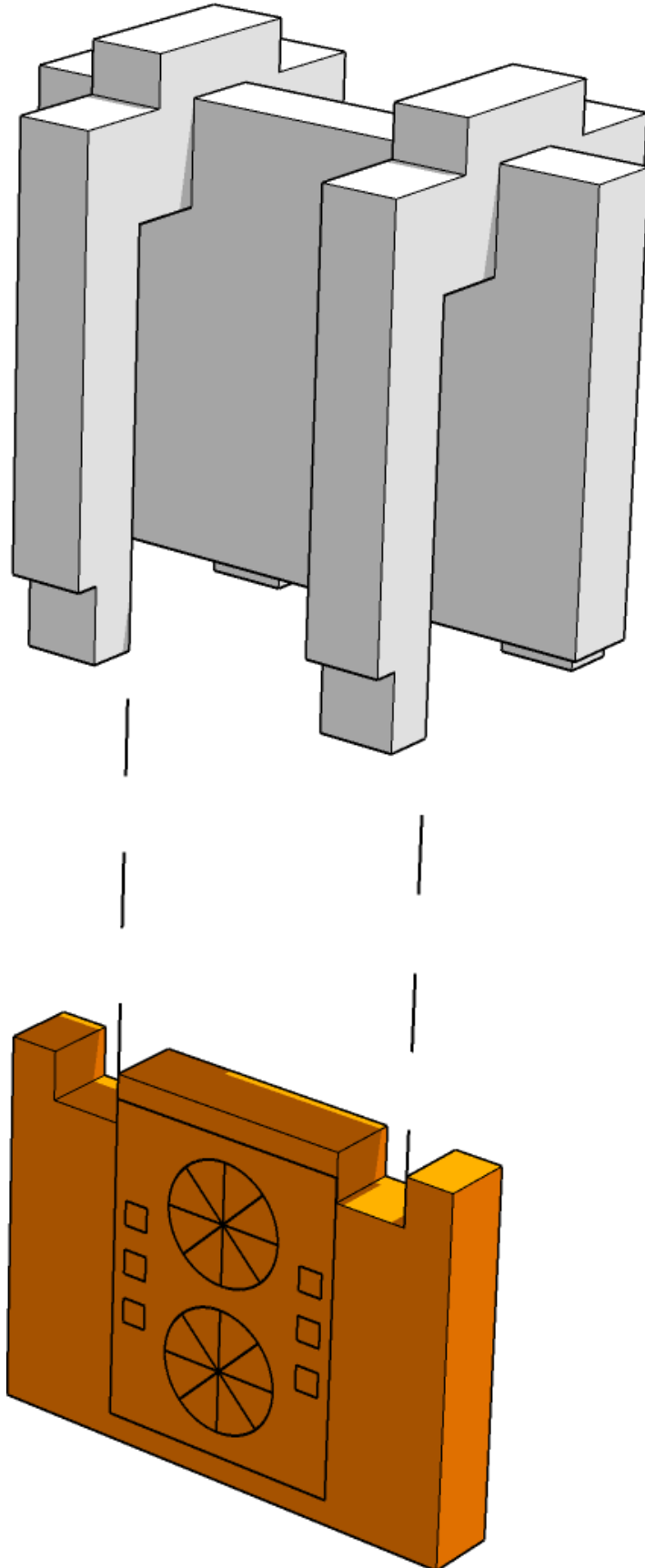




TABLETOP SCENICS

TTSCW-SFU-152
QDSC
Rum alpha

29

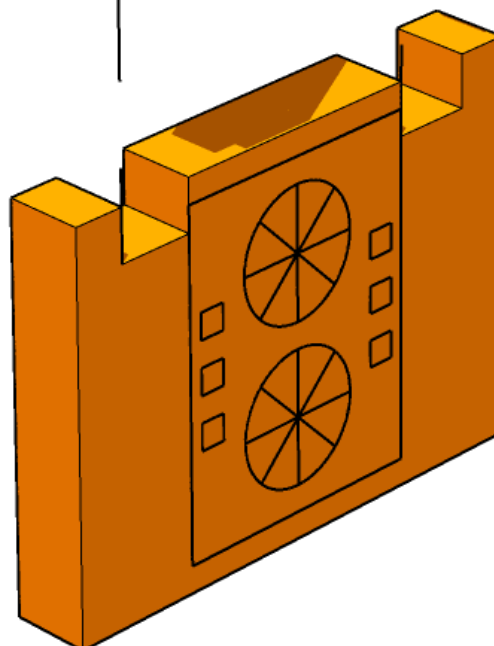
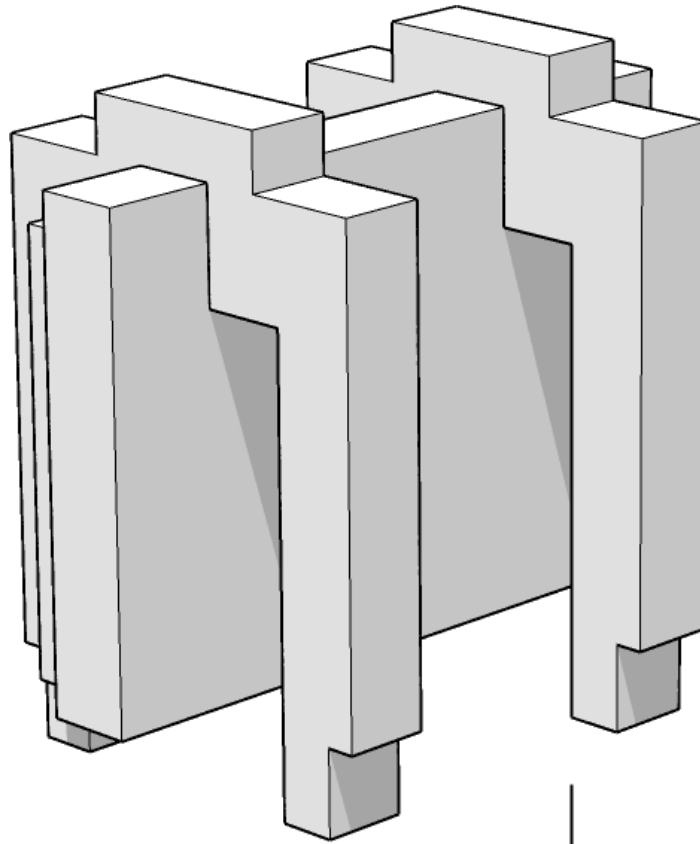




TABLETOP SCENICS

TTSCW-SFU-152
QDSC
Rum alpha

30

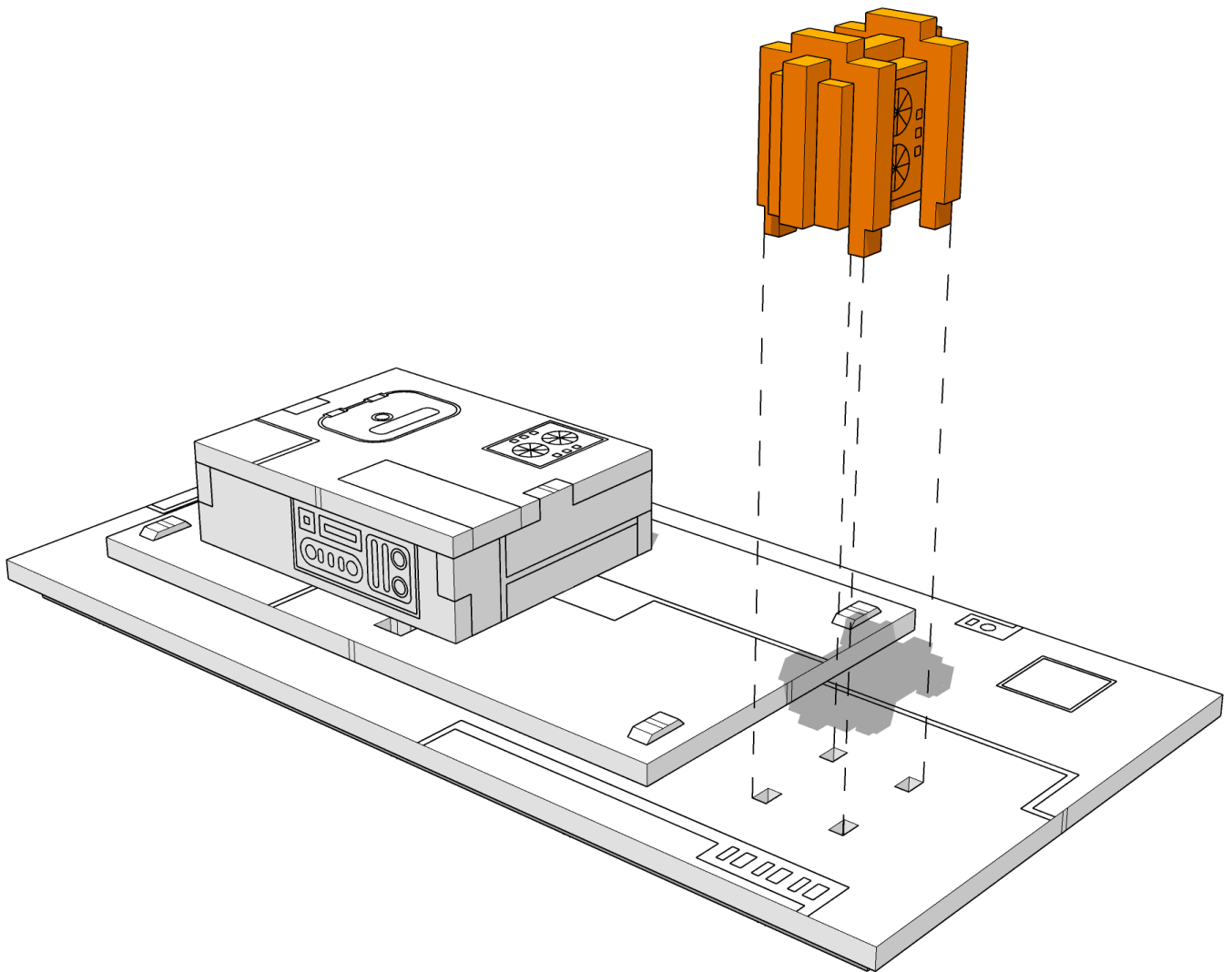




TABLETOP SCENICS

TTSCW-SFU-152
QDSC
Rum alpha

31

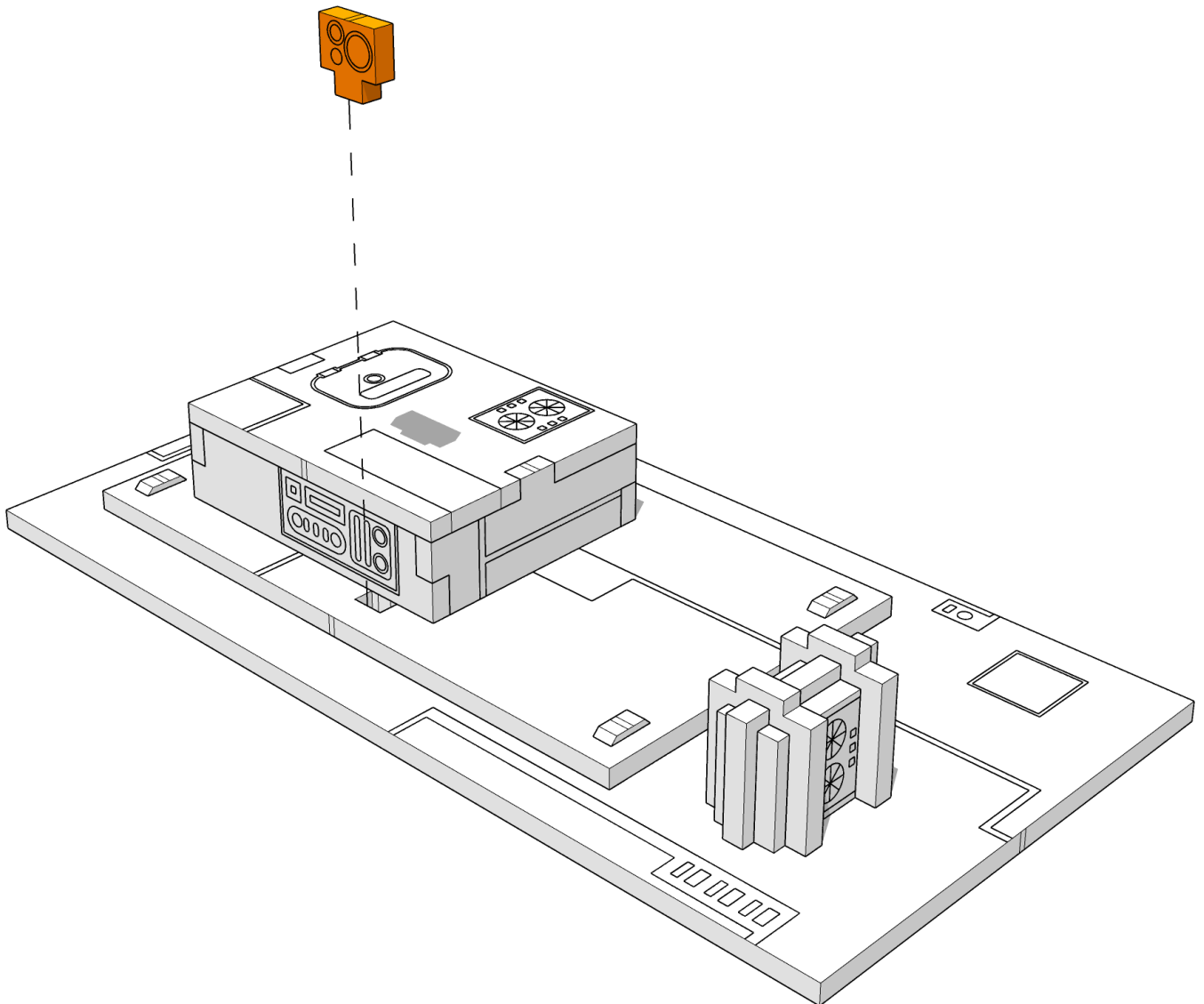




TABLETOP SCENICS

TTSCW-SFU-152
QDSC
Rum alpha

32

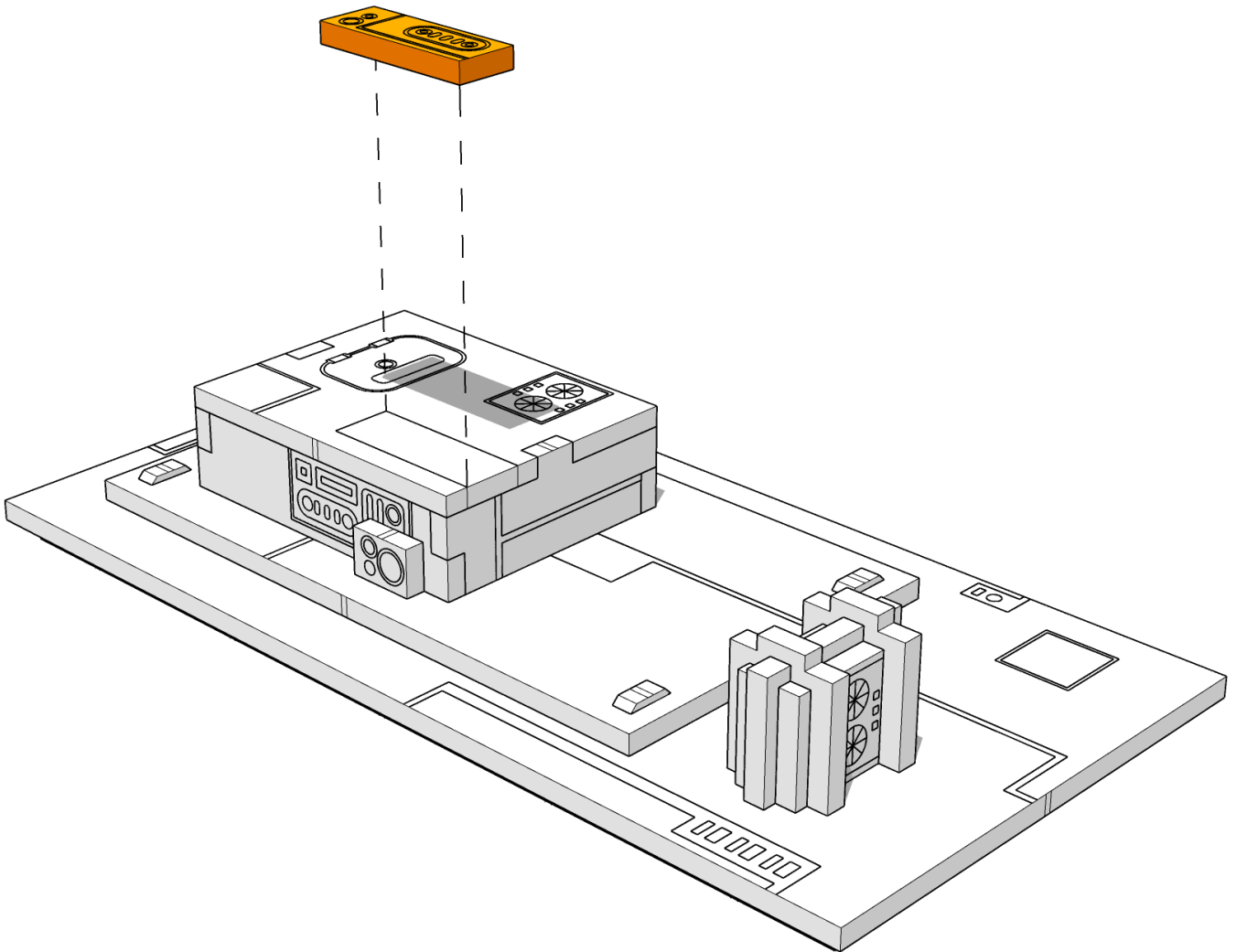




TABLETOP SCENICS

TTSCW-SFU-152
QDSC
Rum alpha

33

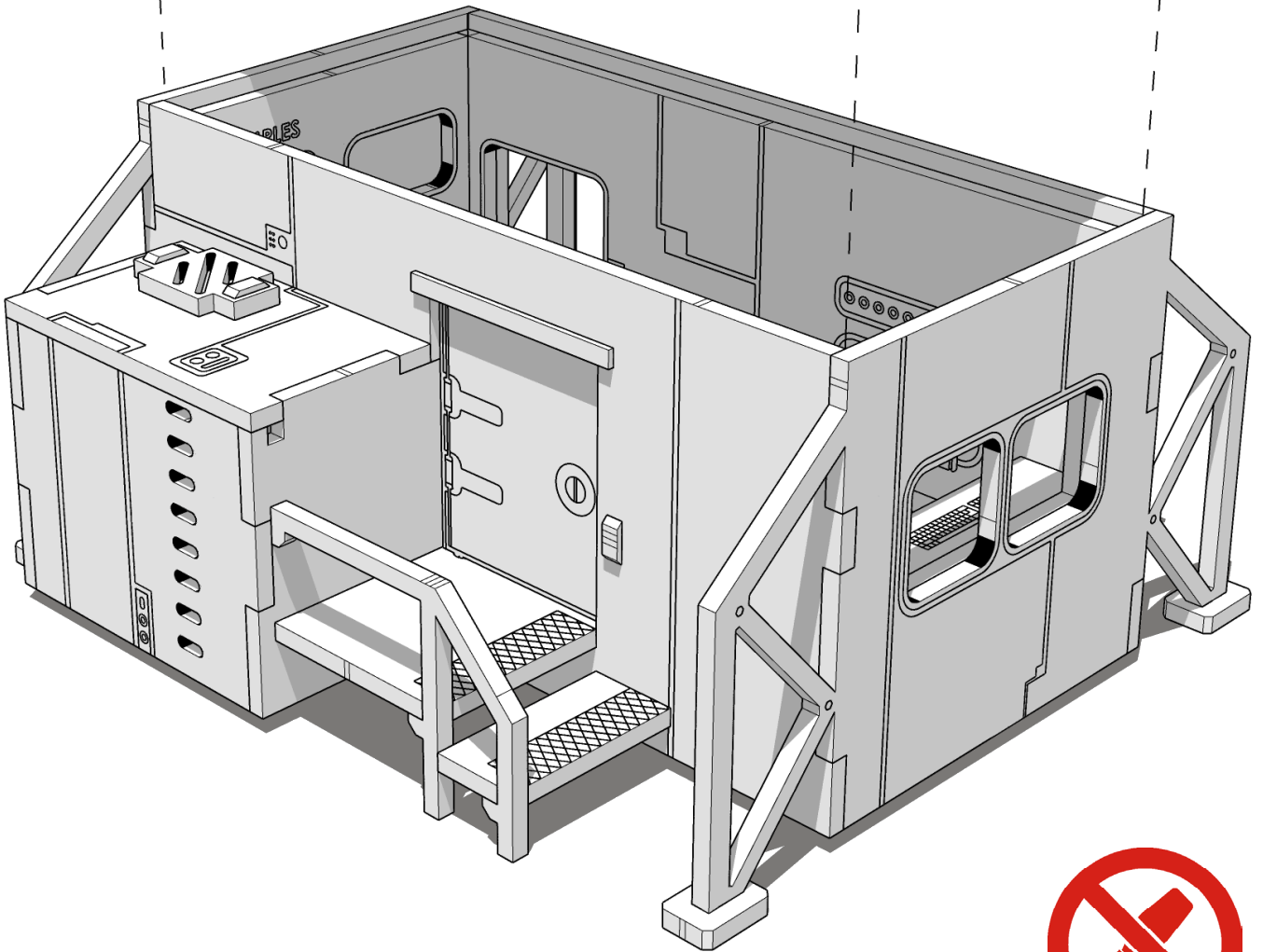
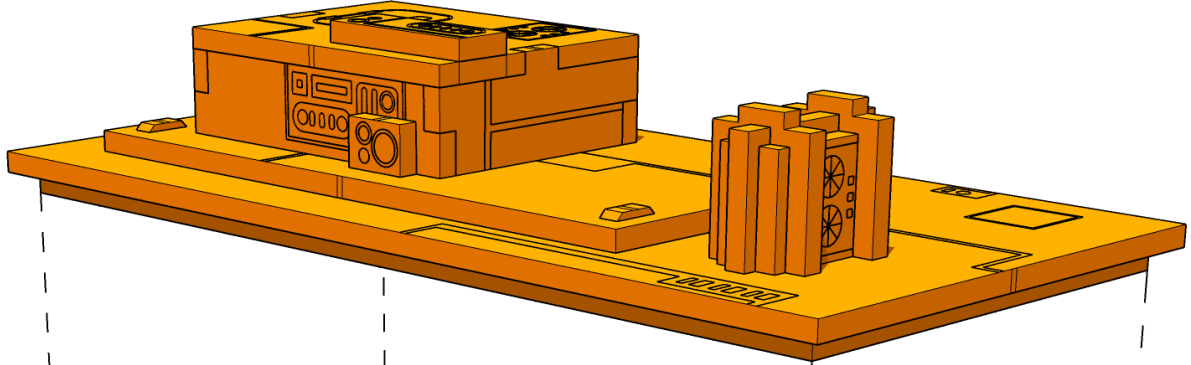




TABLETOP SCENICS

TTSCW-SFU-152
QDSC
Rum alpha

34

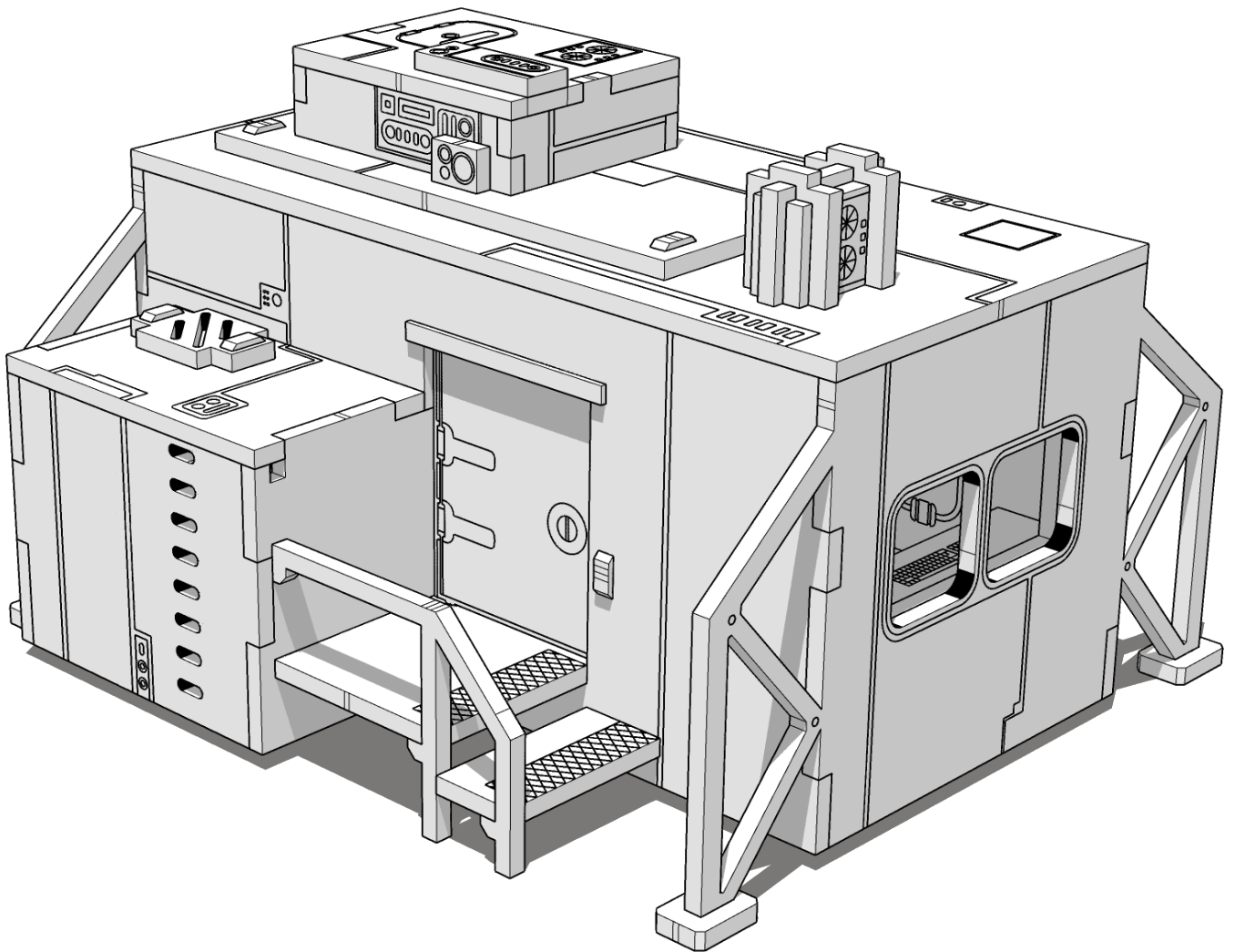




TABLETOP SCENICS

TTSCW-SFU-152
QDSC
Rum alpha

35



 **TTCOMBAT**