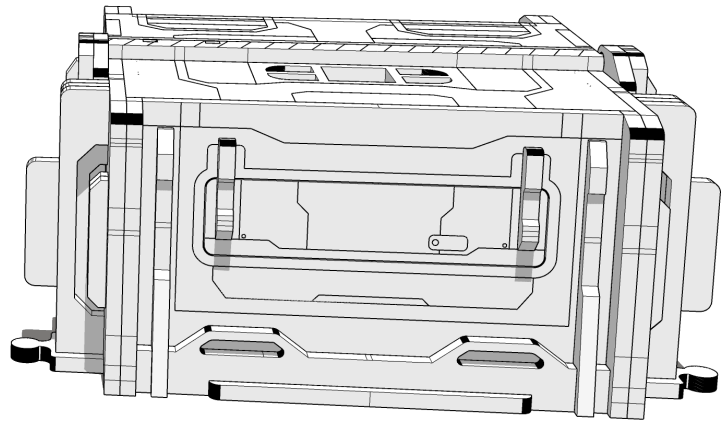
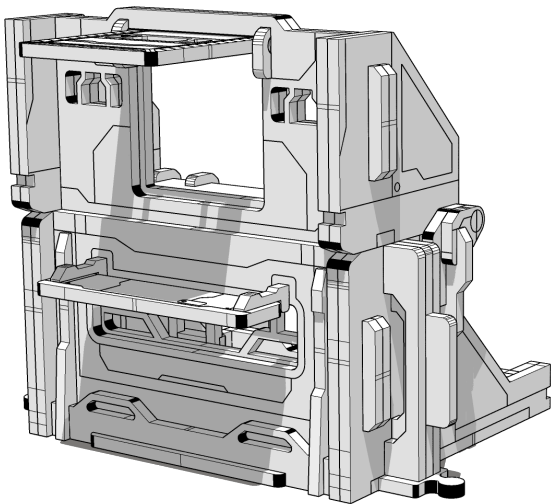




**TABLETOP
SCENICS**

**TTSCW-SFU-150
QDSC
Blockhouse**



 **TTCOMBAT**



TABLETOP SCENICS

TTSCW-SFU-150
QDSC
Blockhouse

2

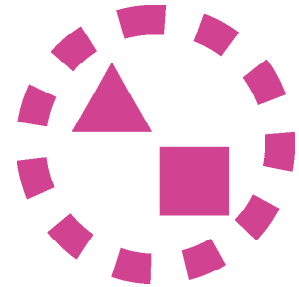
These are a series of icons that may be used throughout the instructions to help your assembly.
If in doubt, scroll ahead to confirm.



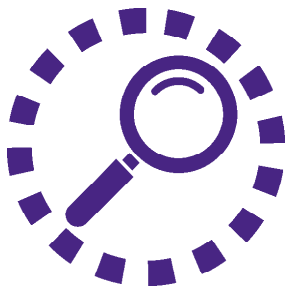
Do not glue this part



Carefully score and
fold this part



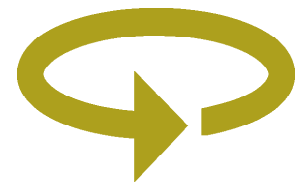
This part - or its placement is
completely optional



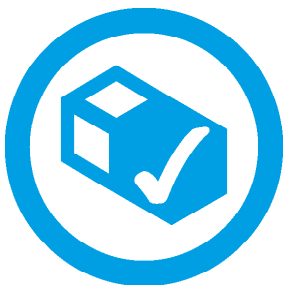
Look closely at this step -
The process order or part
used, may be specific



Repeat making this part
the specified number
of times



The next instruction step
will be the same assembly
so far, but from a different
angle



Sub-assembly complete.
This smaller construction
is ready to add to the
main kit



Assembly Complete! There
could be more optional
parts - check to the very end
of instructions



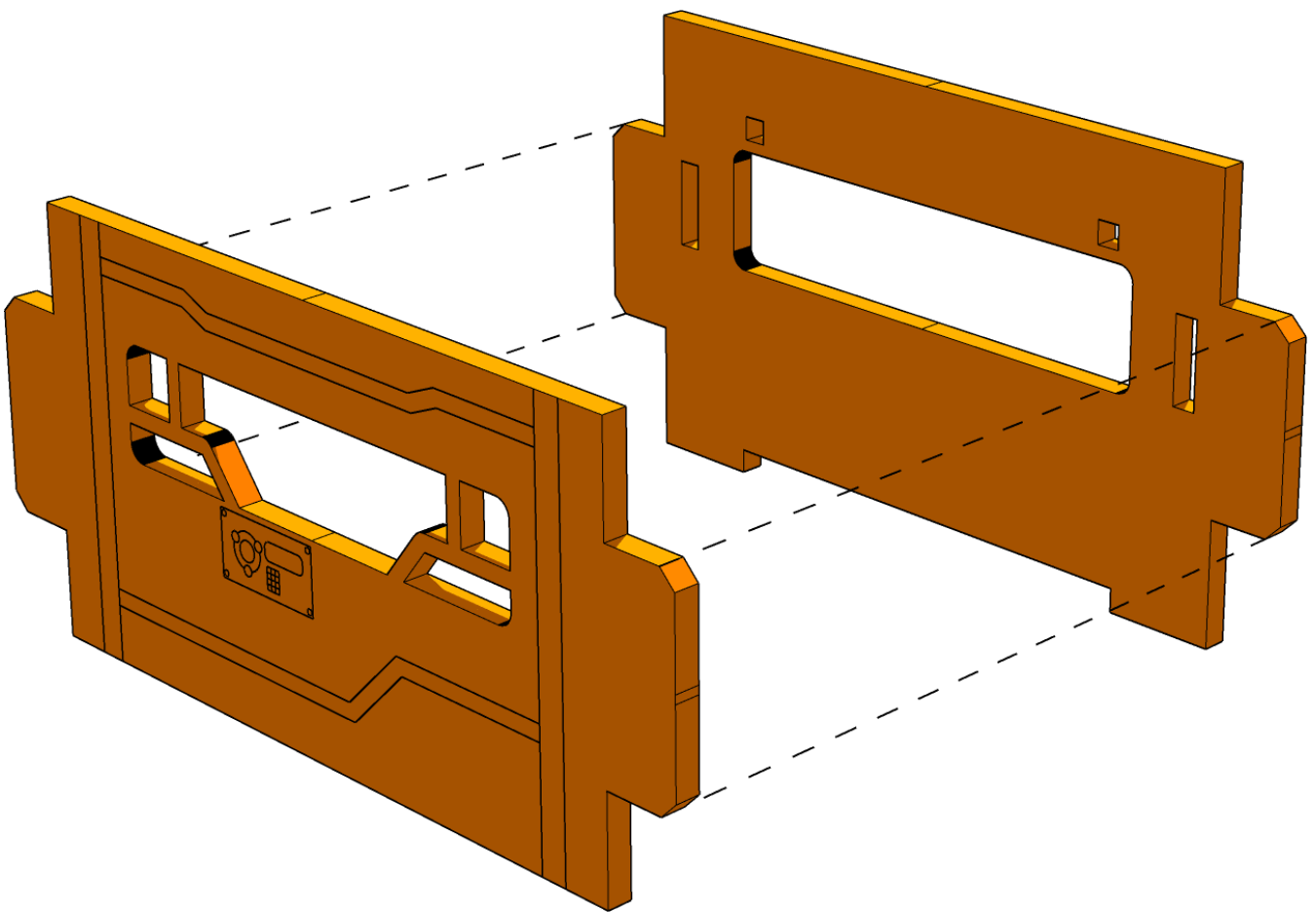
FRAGILE: DO NOT BEND.
“Bendy wood” is designed to
curve around a designed
frame only.



TABLETOP SCENICS

TTSCW-SFU-150
QDSC
Blockhouse

3



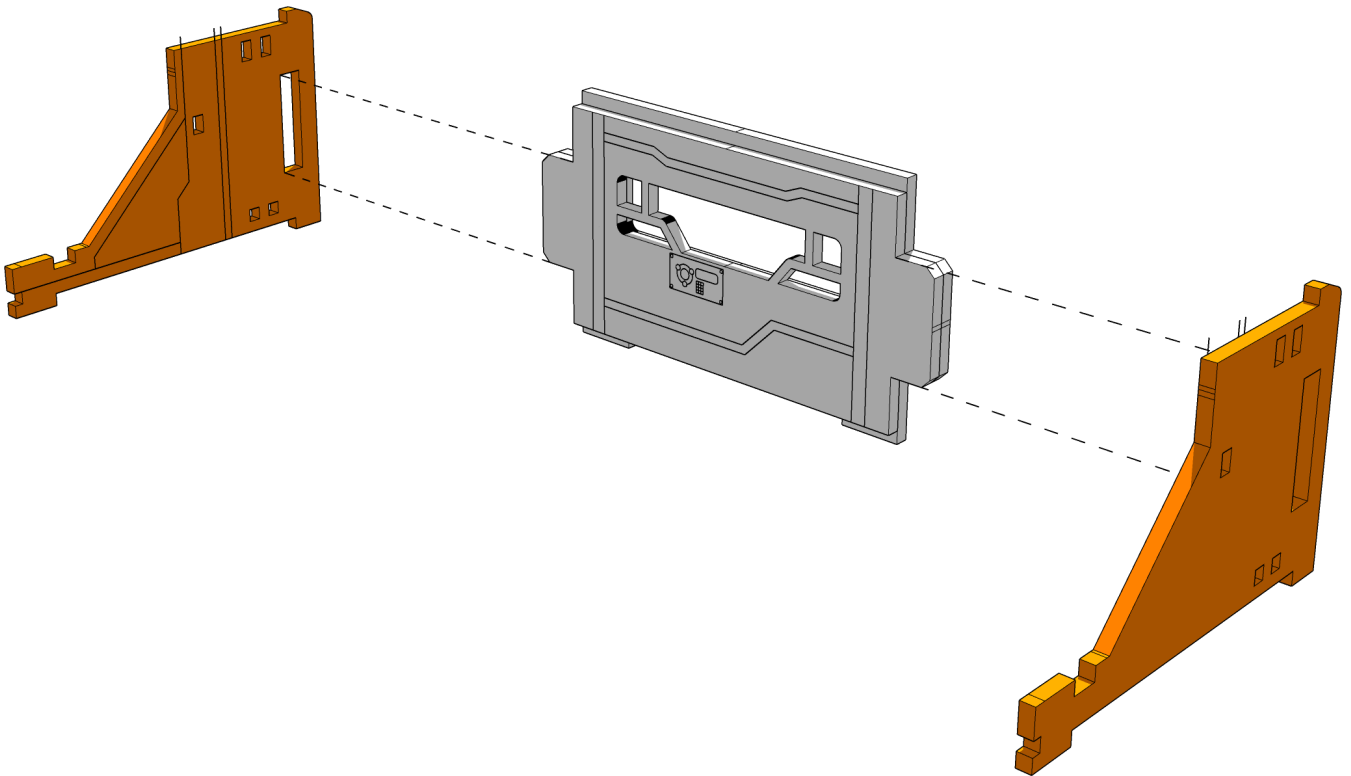
Detailing on both panels face outwards



TABLETOP SCENICS

TTSCW-SFU-150
QDSC
Blockhouse

4



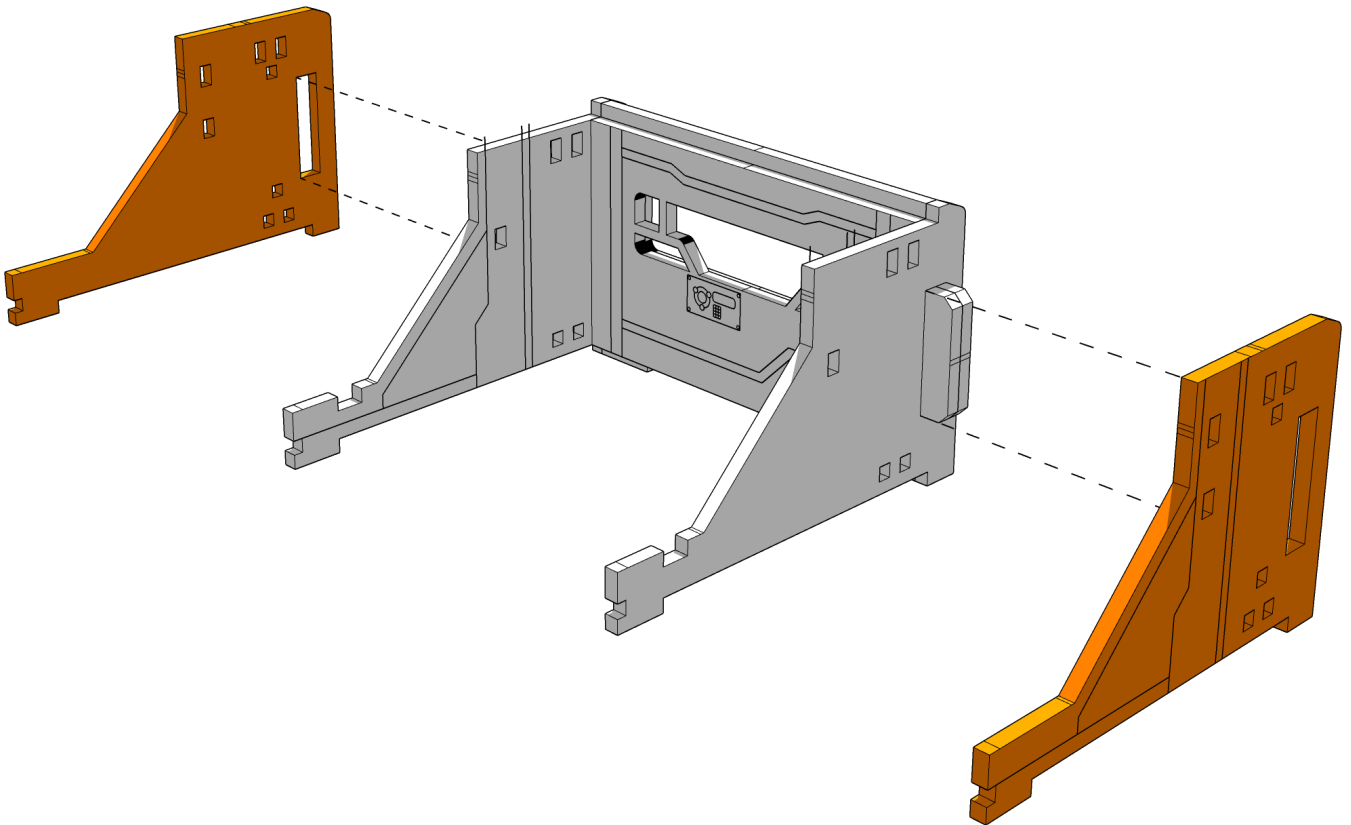
Detailing on both panels face inwards



TABLETOP SCENICS

TTSCW-SFU-150
QDSC
Blockhouse

5

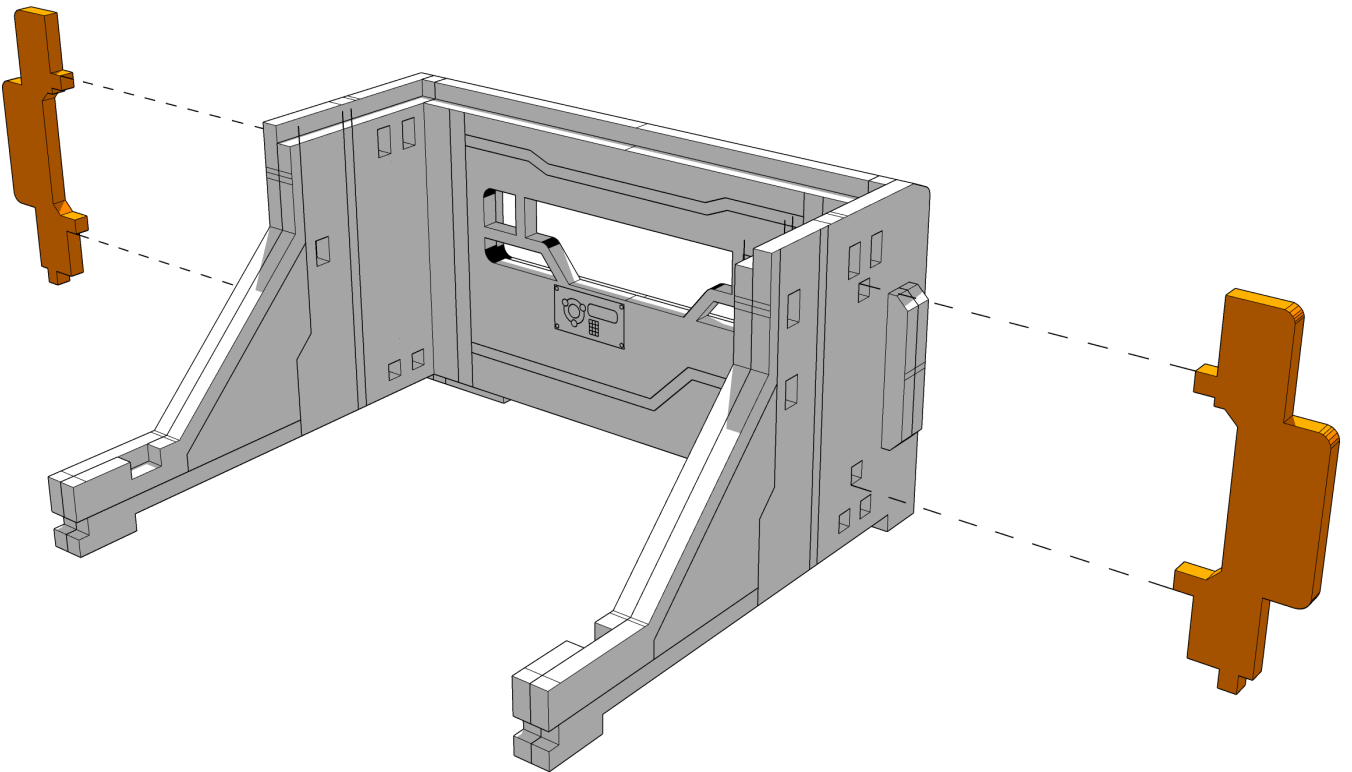




TABLETOP SCENICS

TTSCW-SFU-150
QDSC
Blockhouse

6

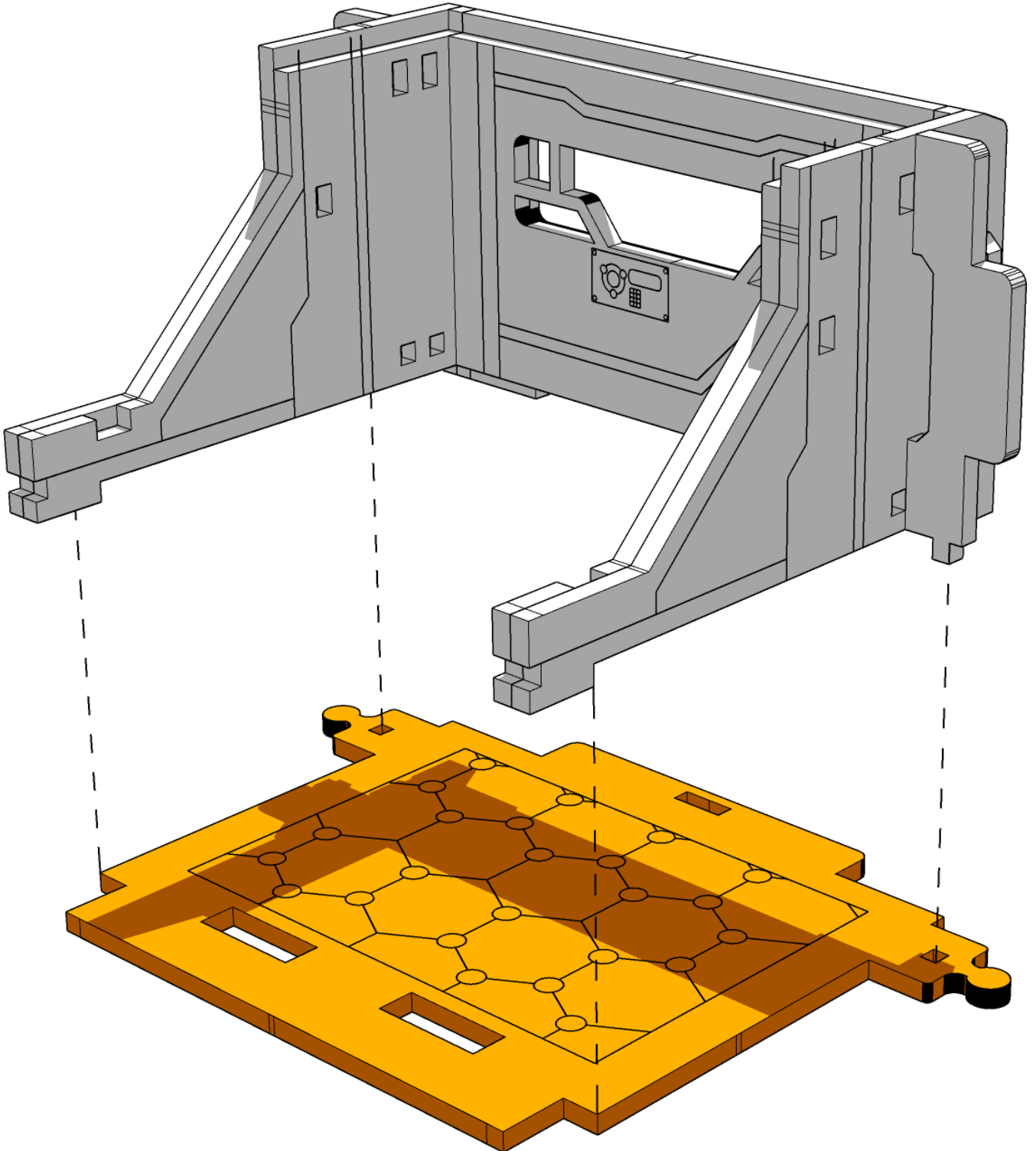




TABLETOP SCENICS

TTSCW-SFU-150
QDSC
Blockhouse

7

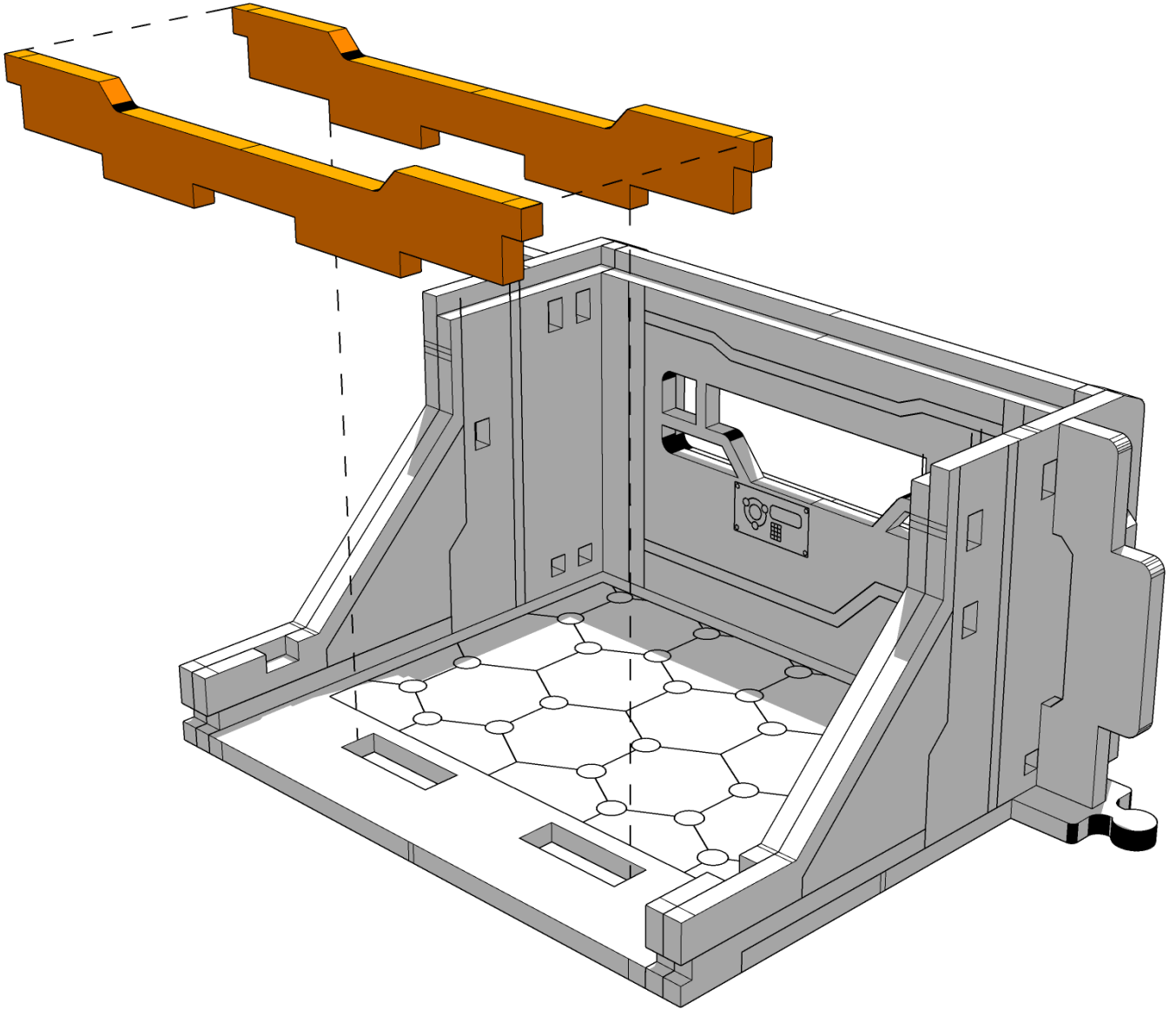




TABLETOP SCENICS

TTSCW-SFU-150
QDSC
Blockhouse

8

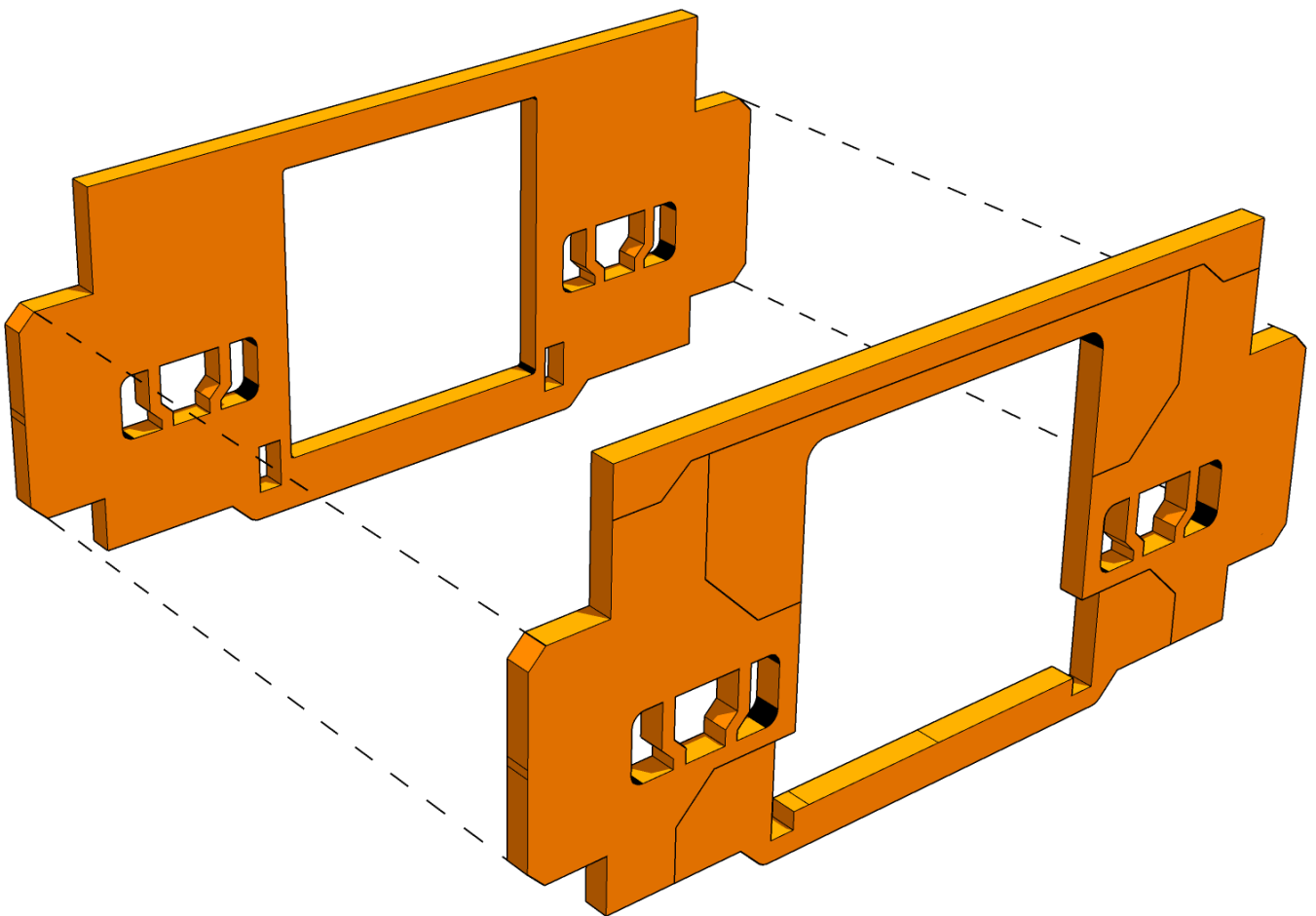




TABLETOP SCENICS

TTSCW-SFU-150
QDSC
Blockhouse

9

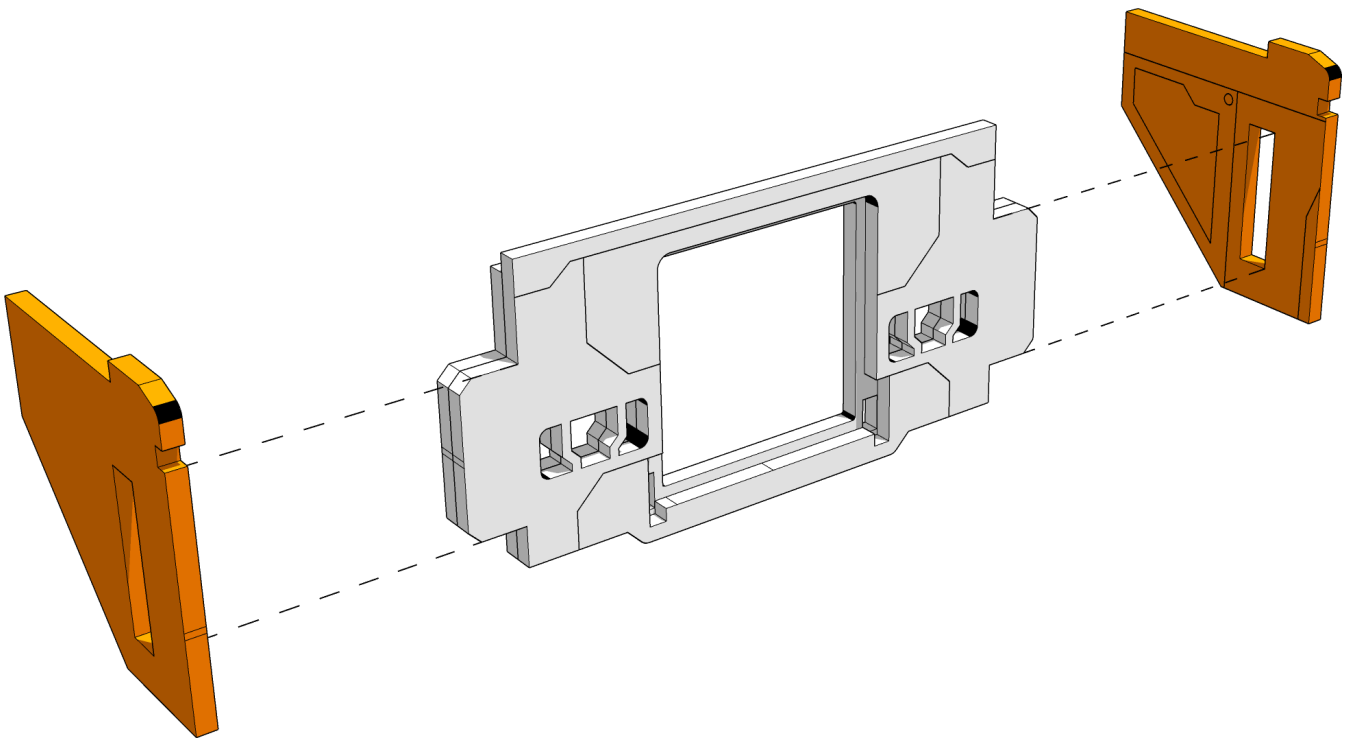




TABLETOP SCENICS

TTSCW-SFU-150
QDSC
Blockhouse

10



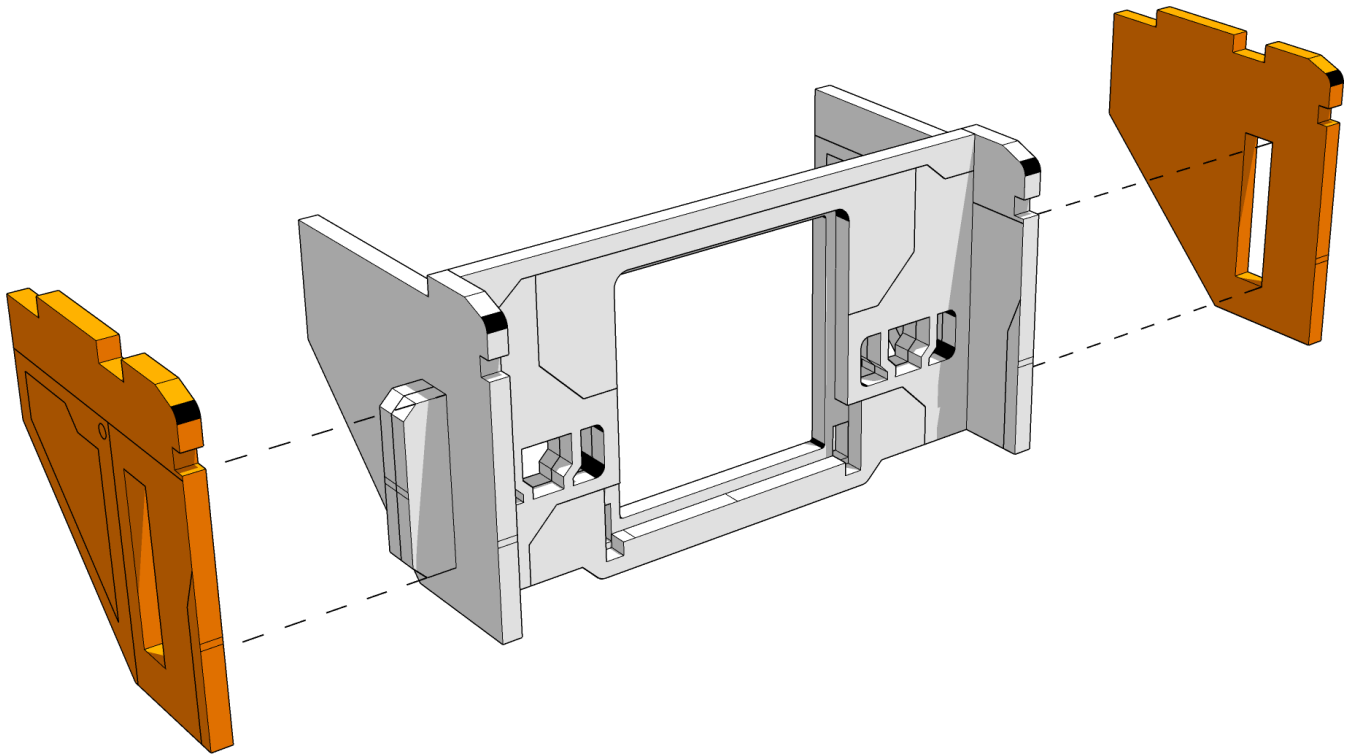
Highlighted parts are identical, detailing faces inwards



TABLETOP SCENICS

TTSCW-SFU-150
QDSC
Blockhouse

11

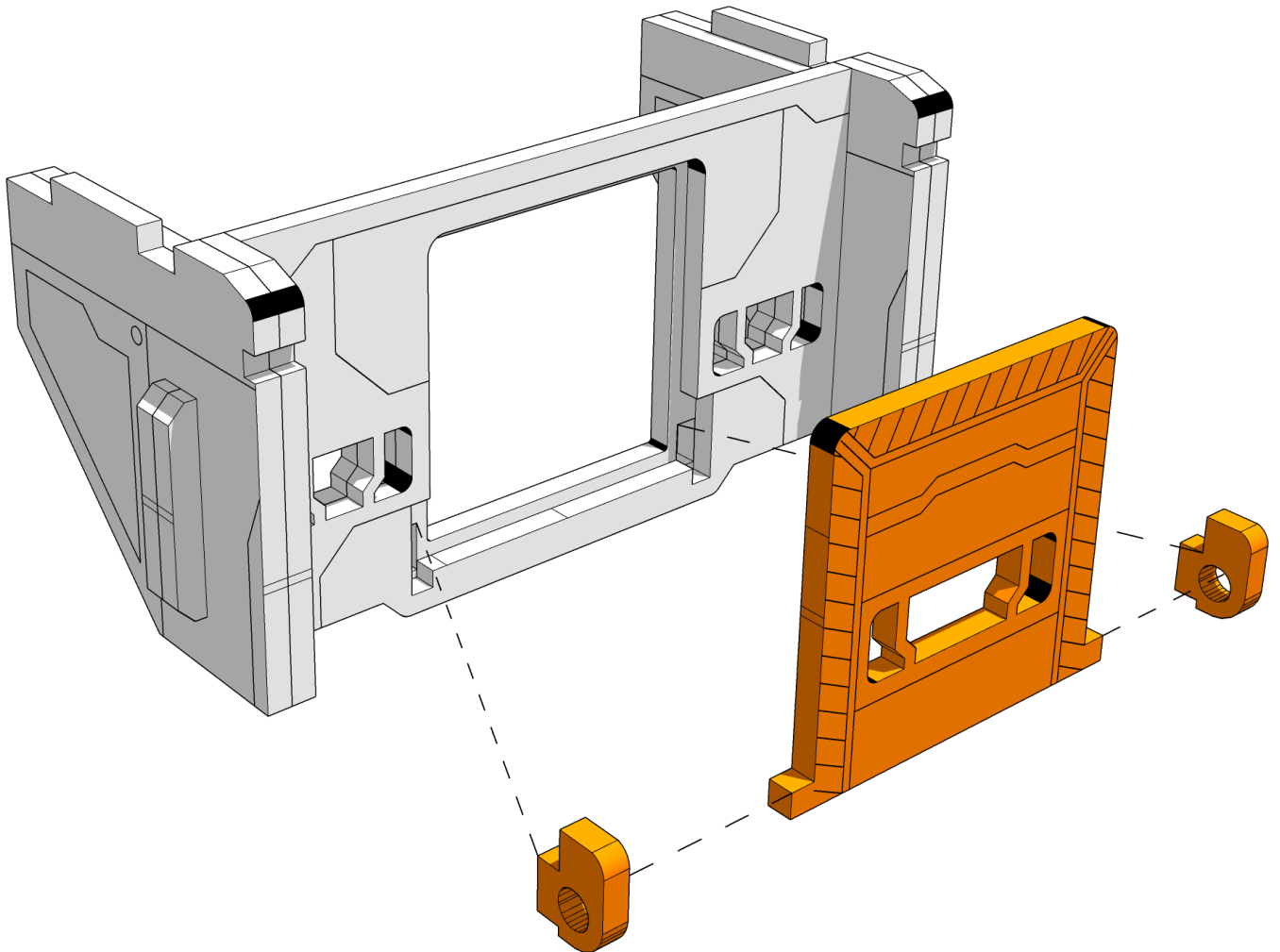




TABLETOP SCENICS

TTSCW-SFU-150
QDSC
Blockhouse

12



Do not glue the door to hinges. Only glue hinges to the frame

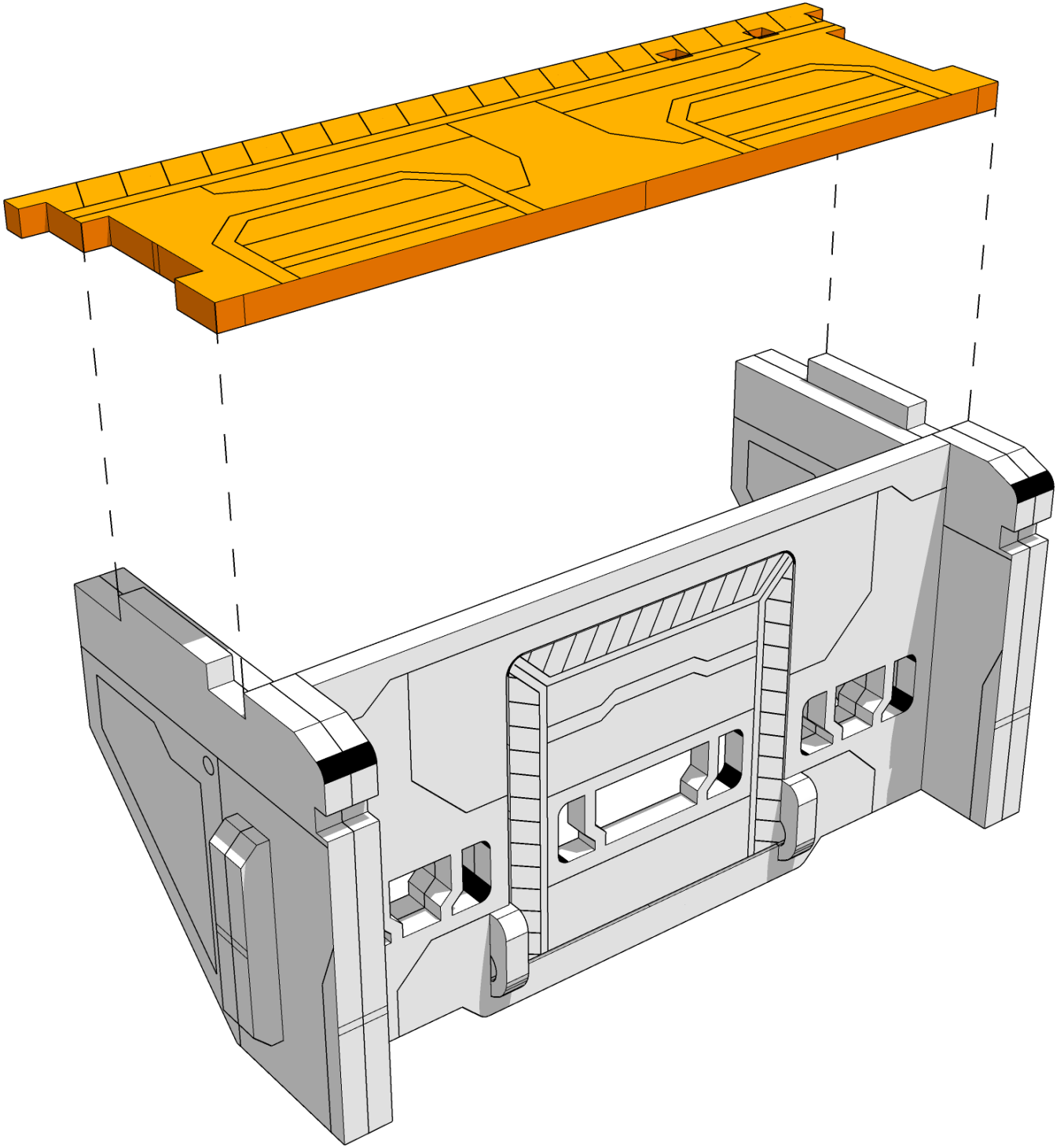




TABLETOP SCENICS

TTSCW-SFU-150
QDSC
Blockhouse

13

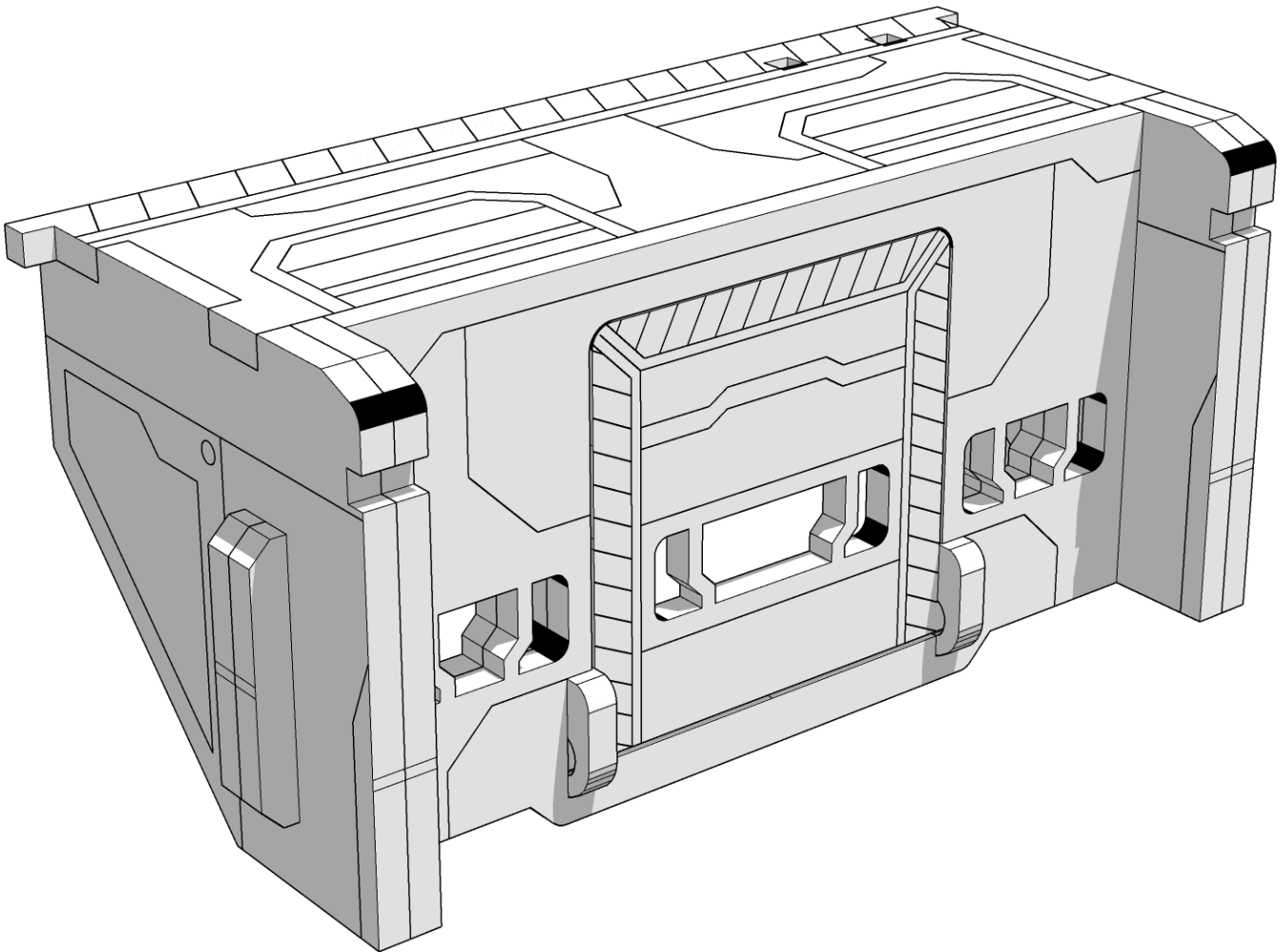




TABLETOP SCENICS

TTSCW-SFU-150
QDSC
Blockhouse

14

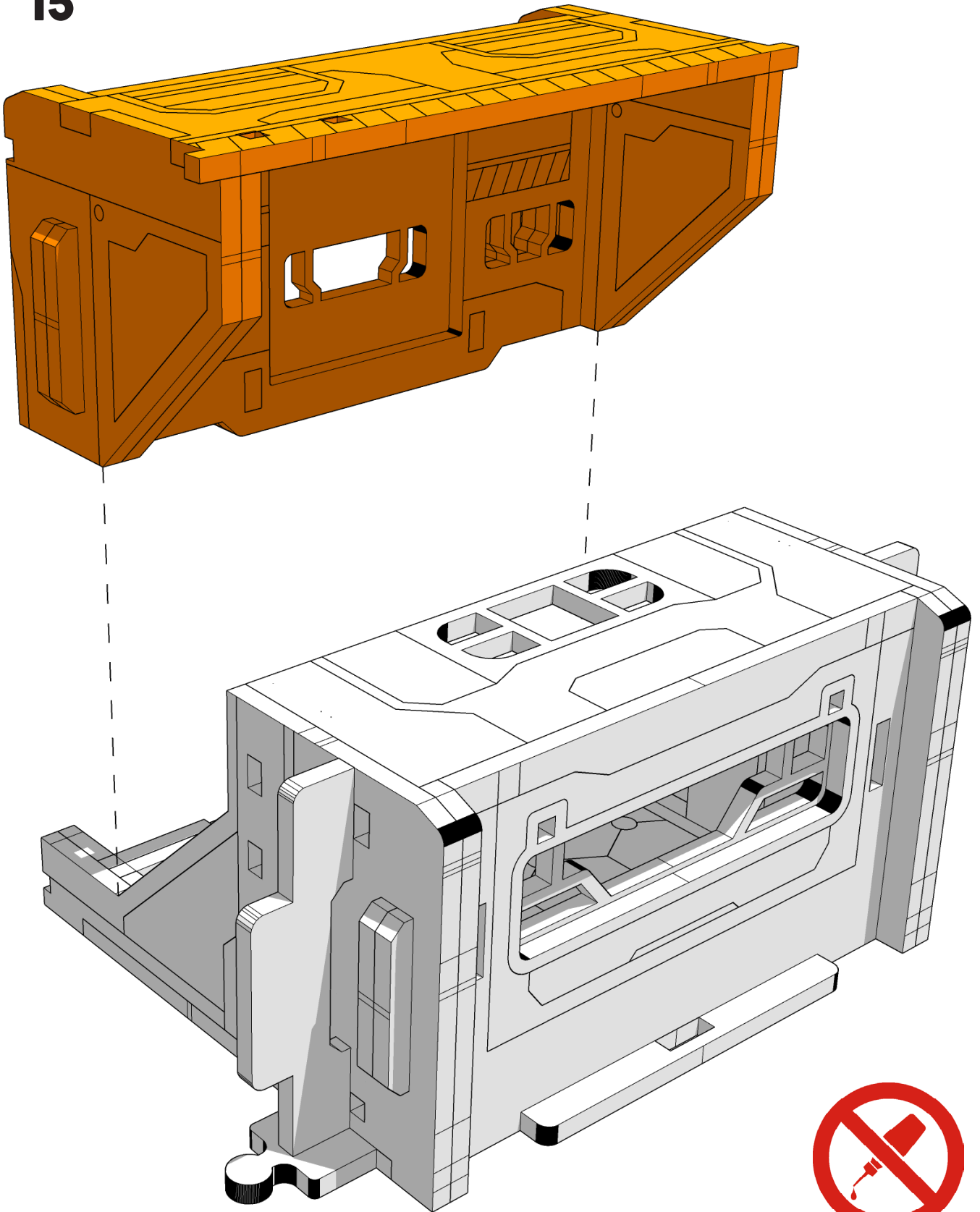




TABLETOP SCENICS

TTSCW-SFU-150
QDSC
Blockhouse

15

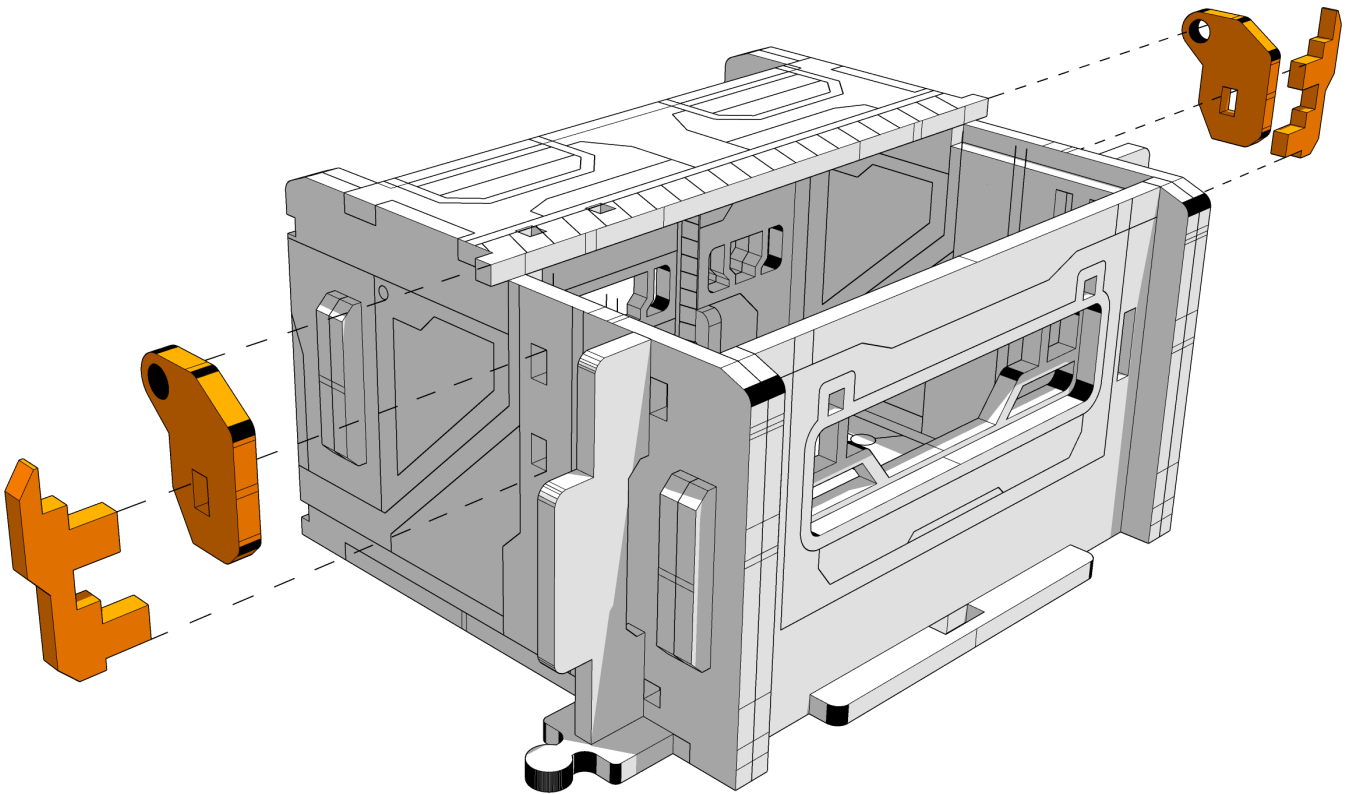




TABLETOP SCENICS

TTSCW-SFU-150
QDSC
Blockhouse

16



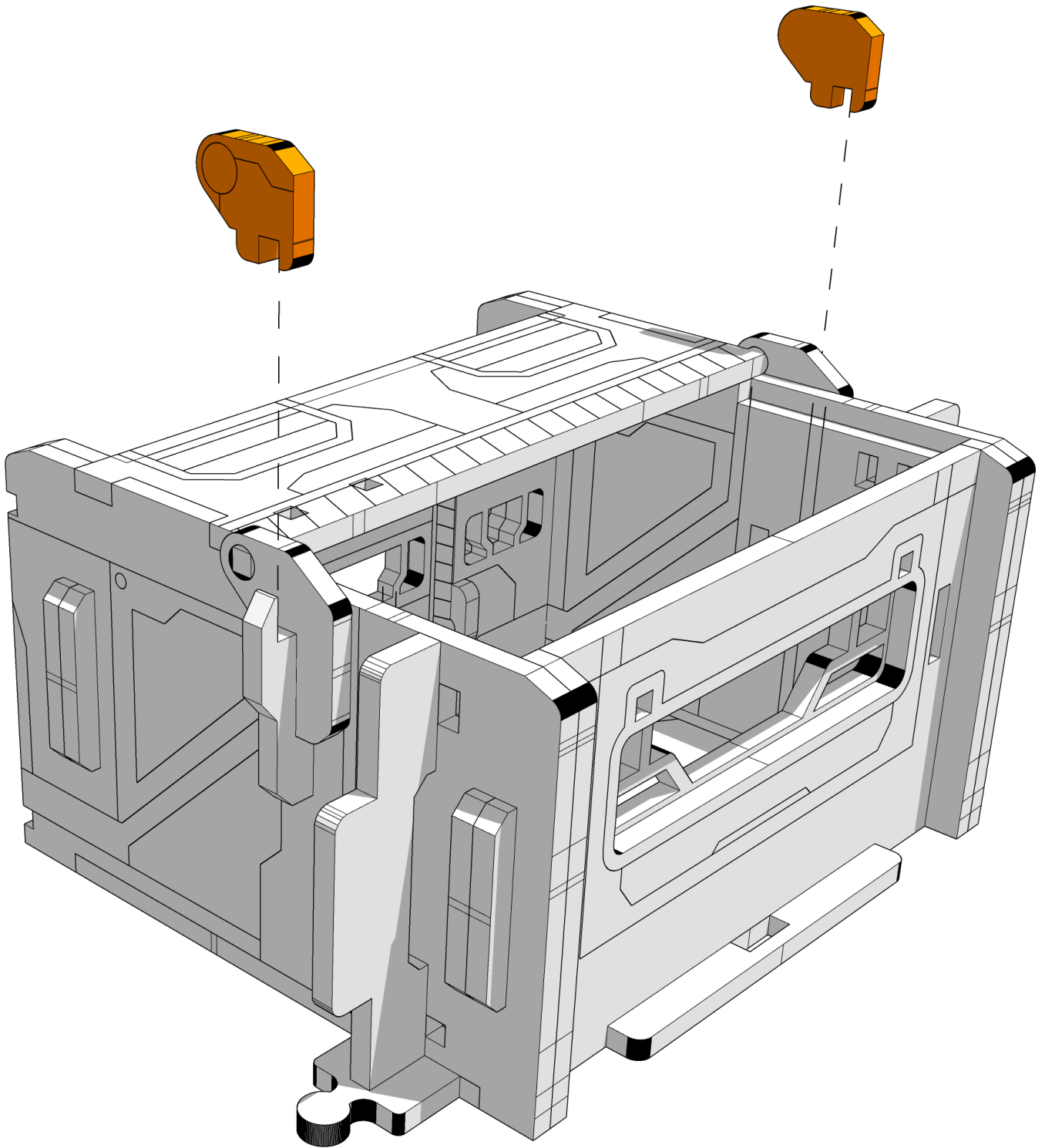
Dont get glue into the cicular hole of
the hinge



TABLETOP SCENICS

TTSCW-SFU-150
QDSC
Blockhouse

17



Dont get glue into the cicular hole of
the hinge

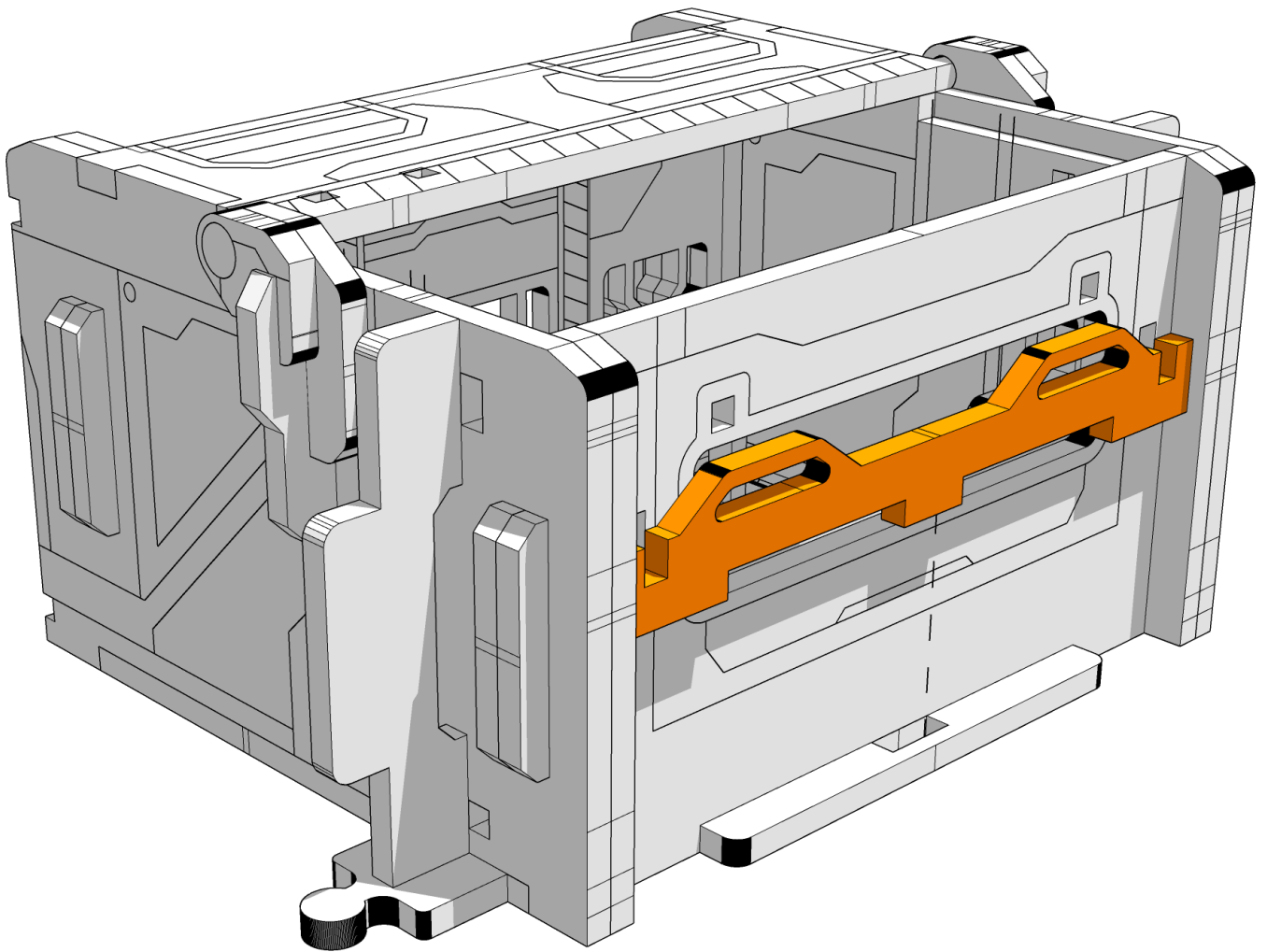




TABLETOP SCENICS

TTSCW-SFU-150
QDSC
Blockhouse

18

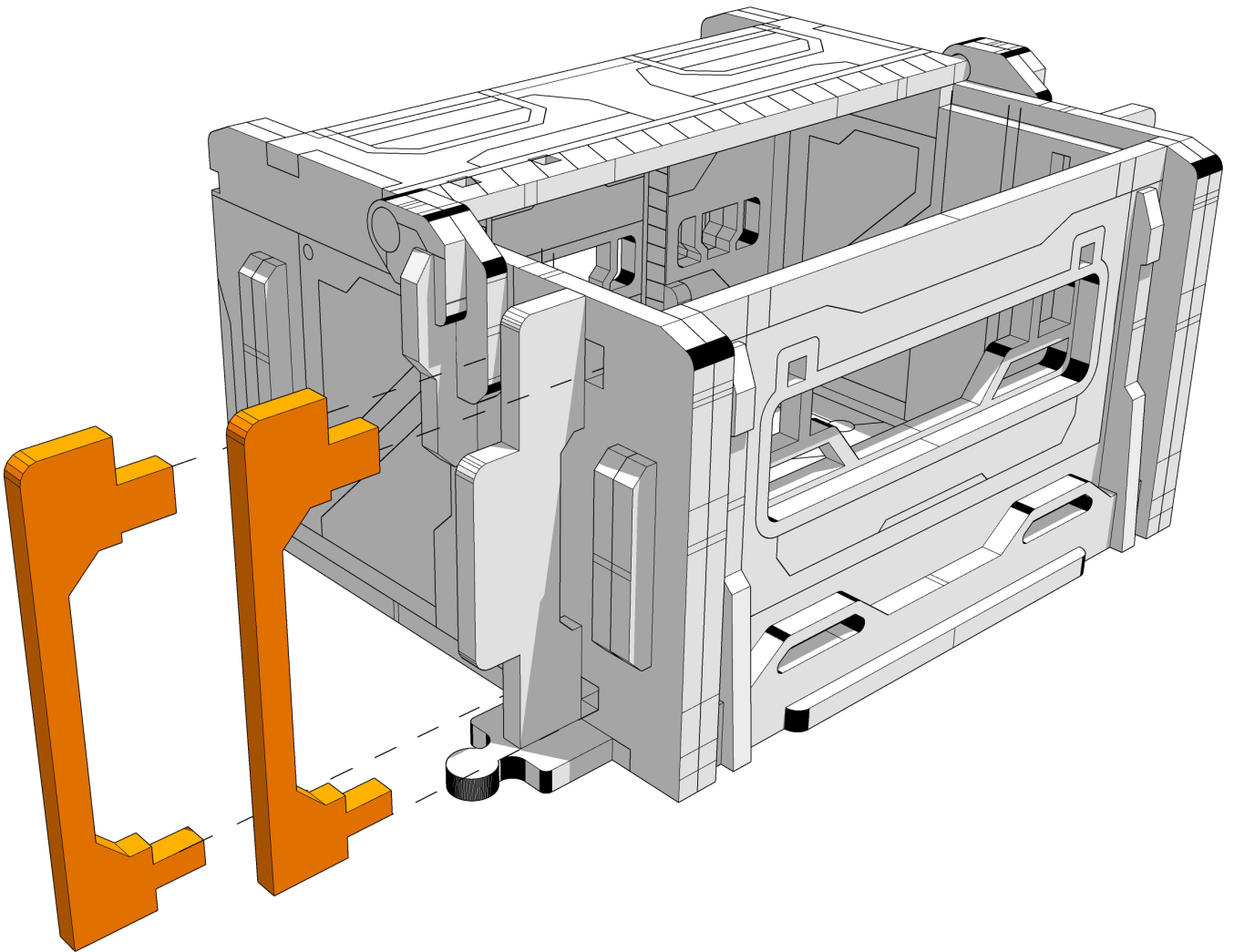




TABLETOP SCENICS

TTSCW-SFU-150
QDSC
Blockhouse

19

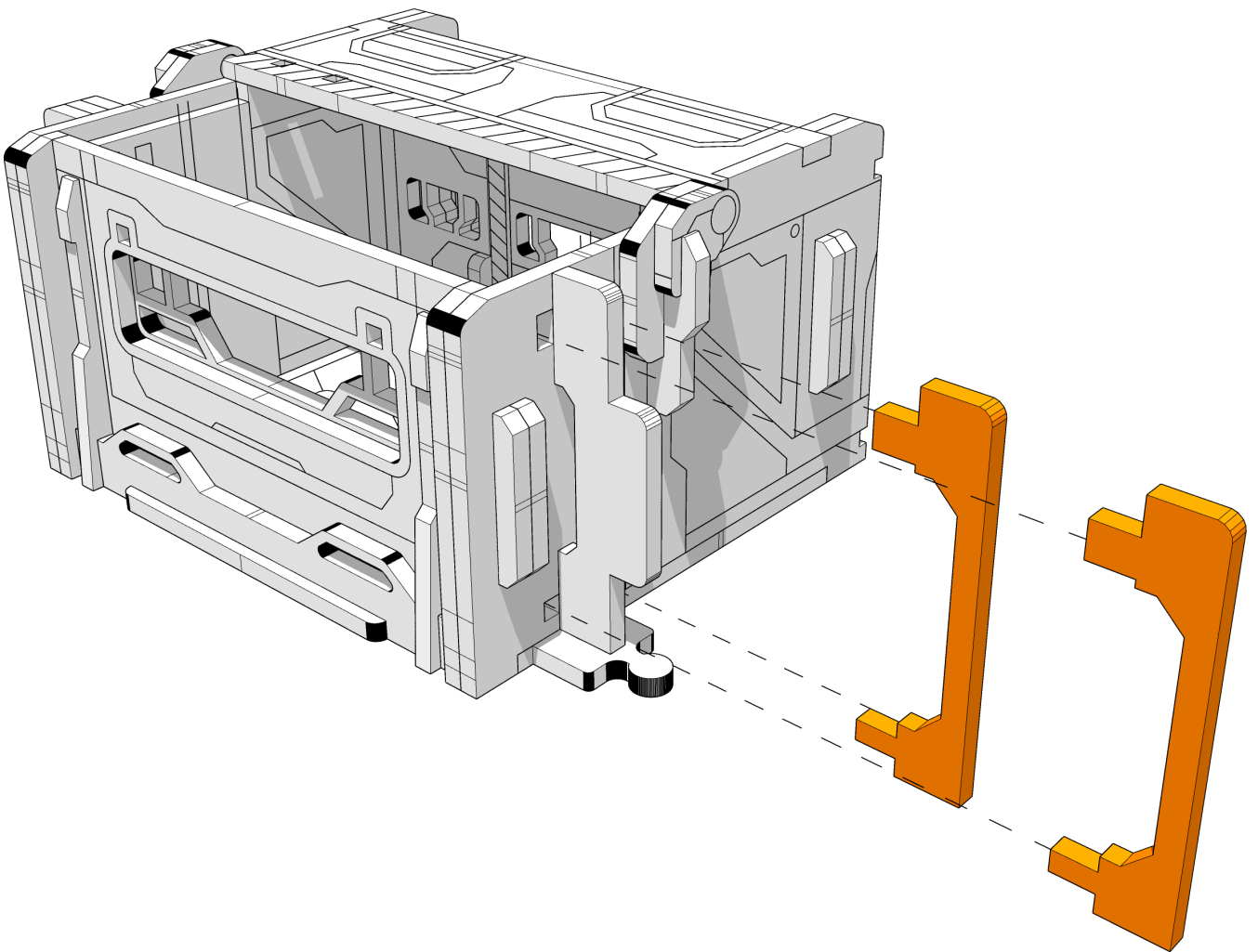




TABLETOP SCENICS

TTSCW-SFU-150
QDSC
Blockhouse

20

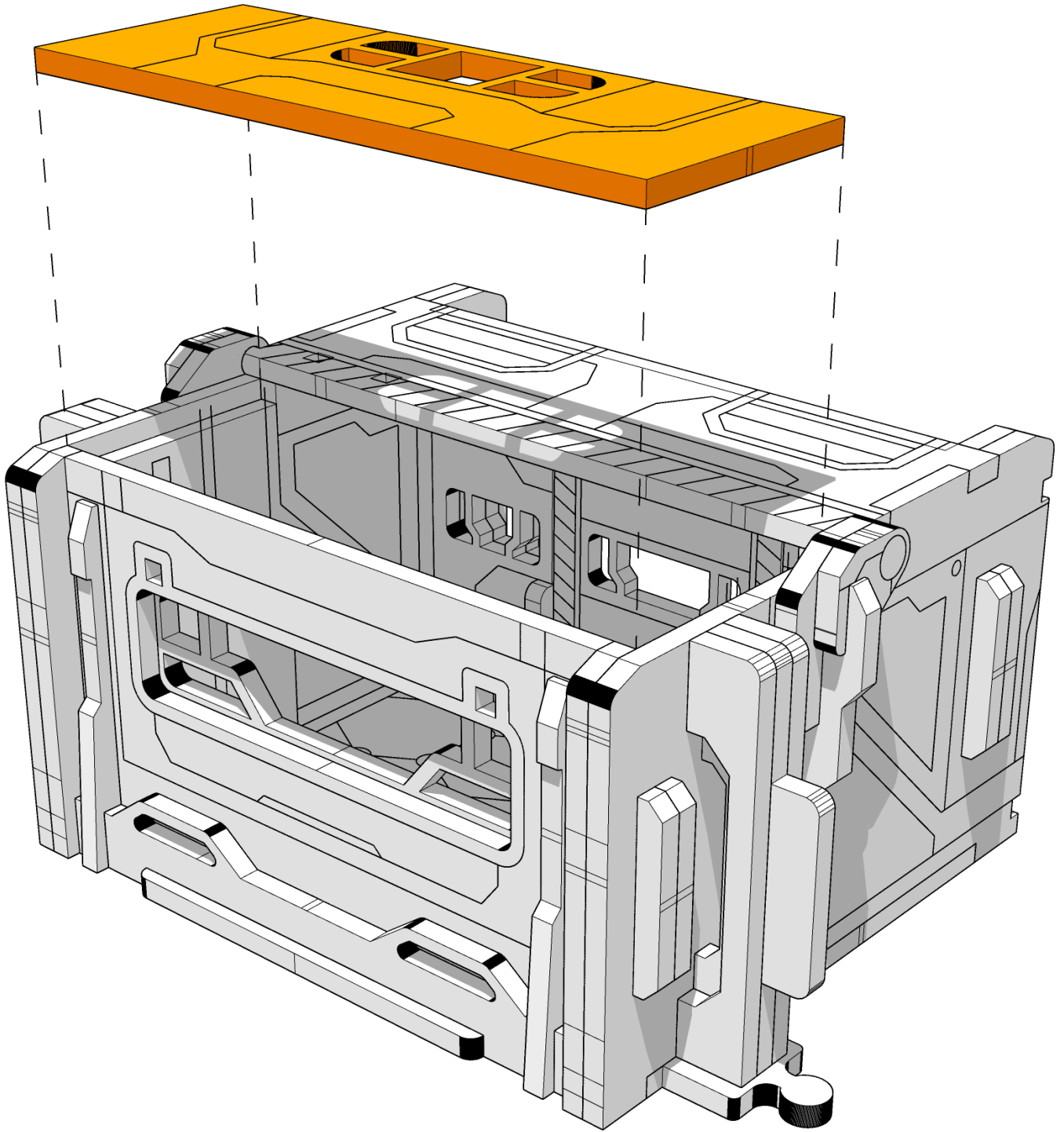




TABLETOP SCENICS

TTSCW-SFU-150
QDSC
Blockhouse

21

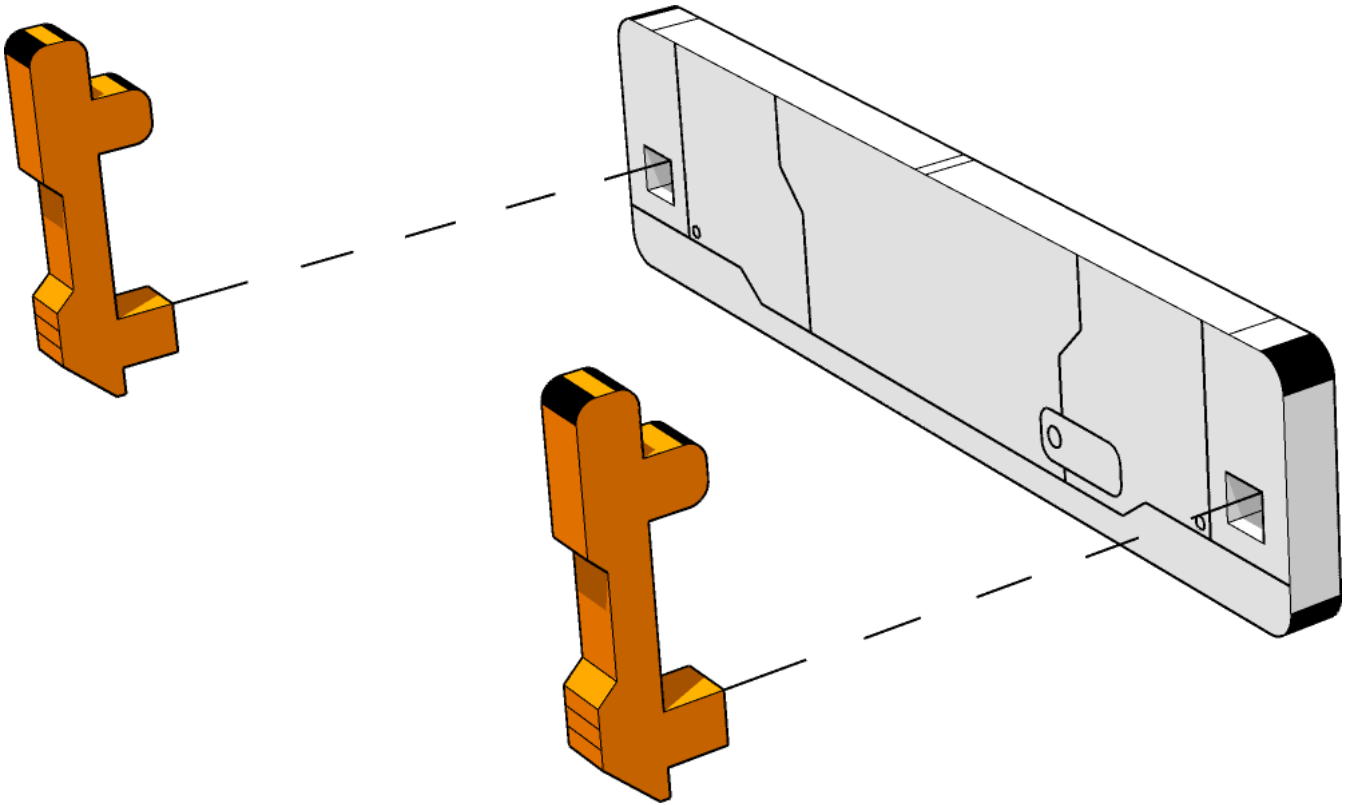




TABLETOP SCENICS

TTSCW-SFU-150
QDSC
Blockhouse

22

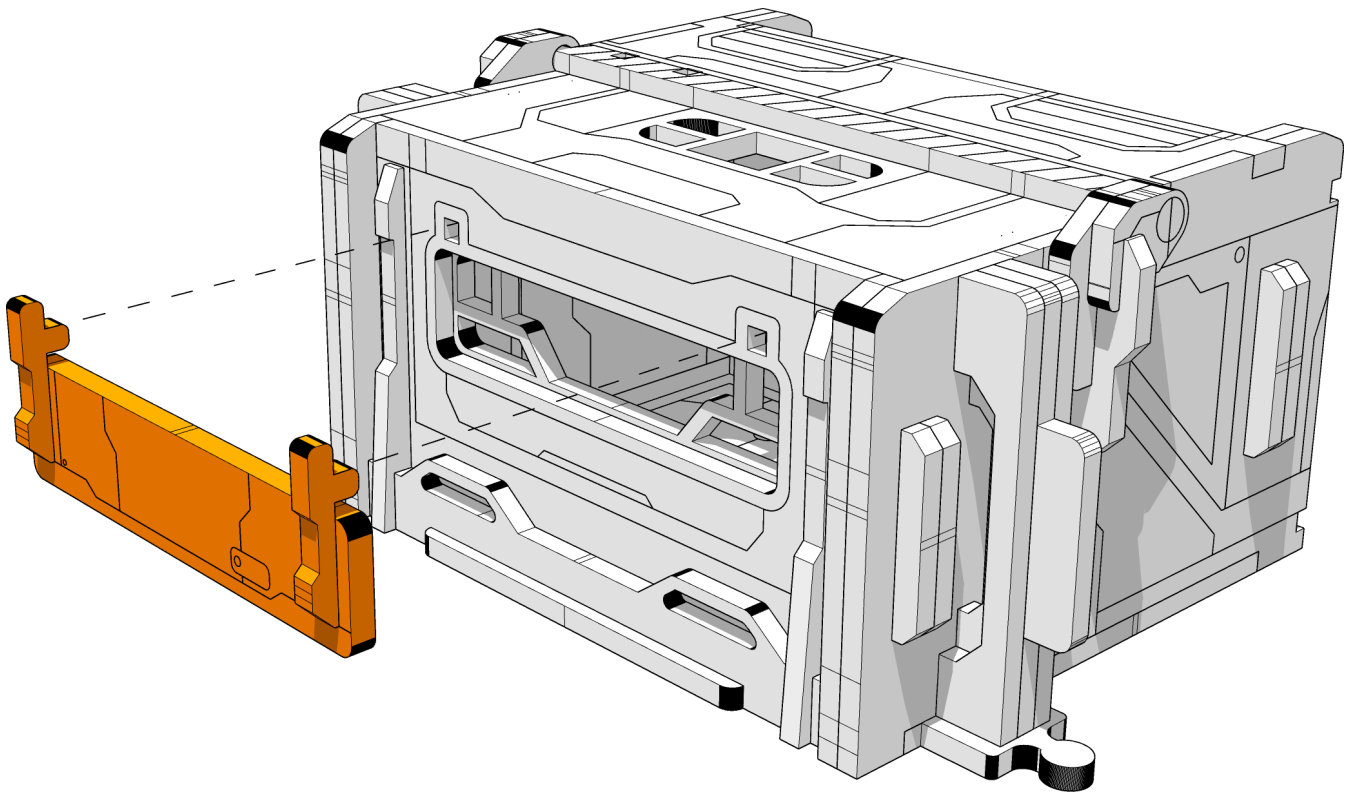




TABLETOP SCENICS

TTSCW-SFU-150
QDSC
Blockhouse

23



Do NOT glue, can be positioned
opened or closed

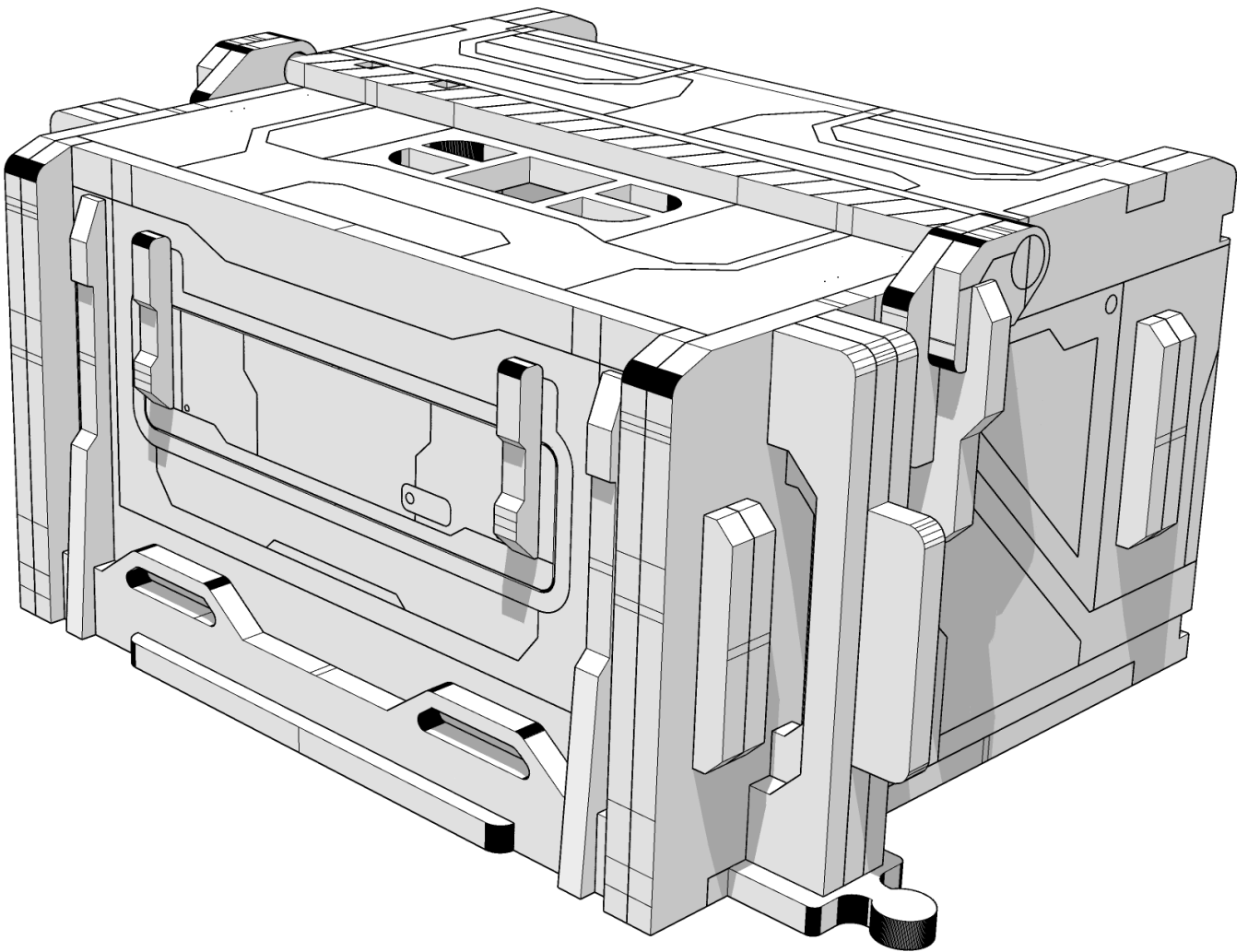




TABLETOP SCENICS

TTSCW-SFU-150
QDSC
Blockhouse

24



x2

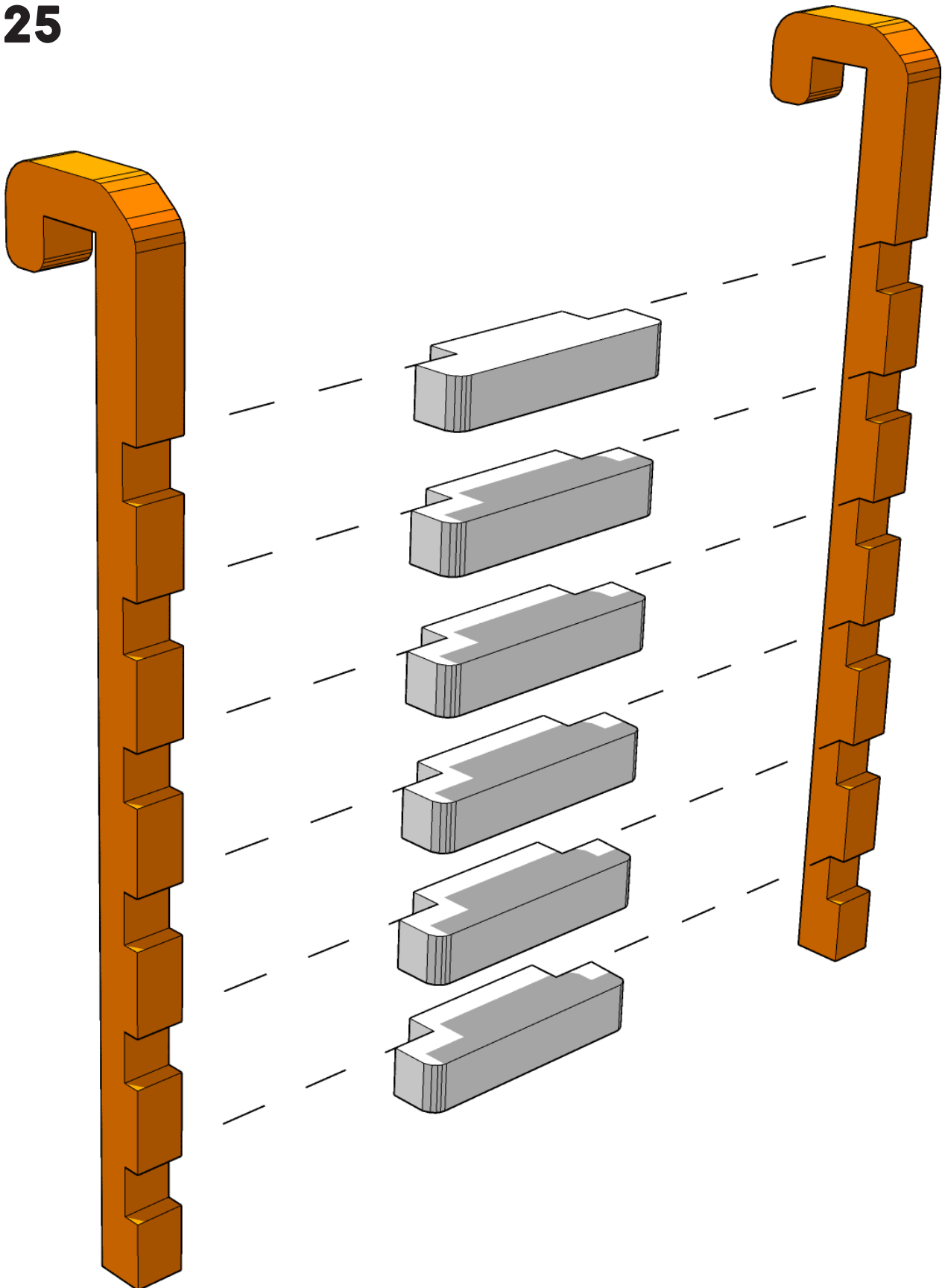
 TCOMBAT



TABLETOP SCENICS

TTSCW-SFU-150
QDSC
Blockhouse

25

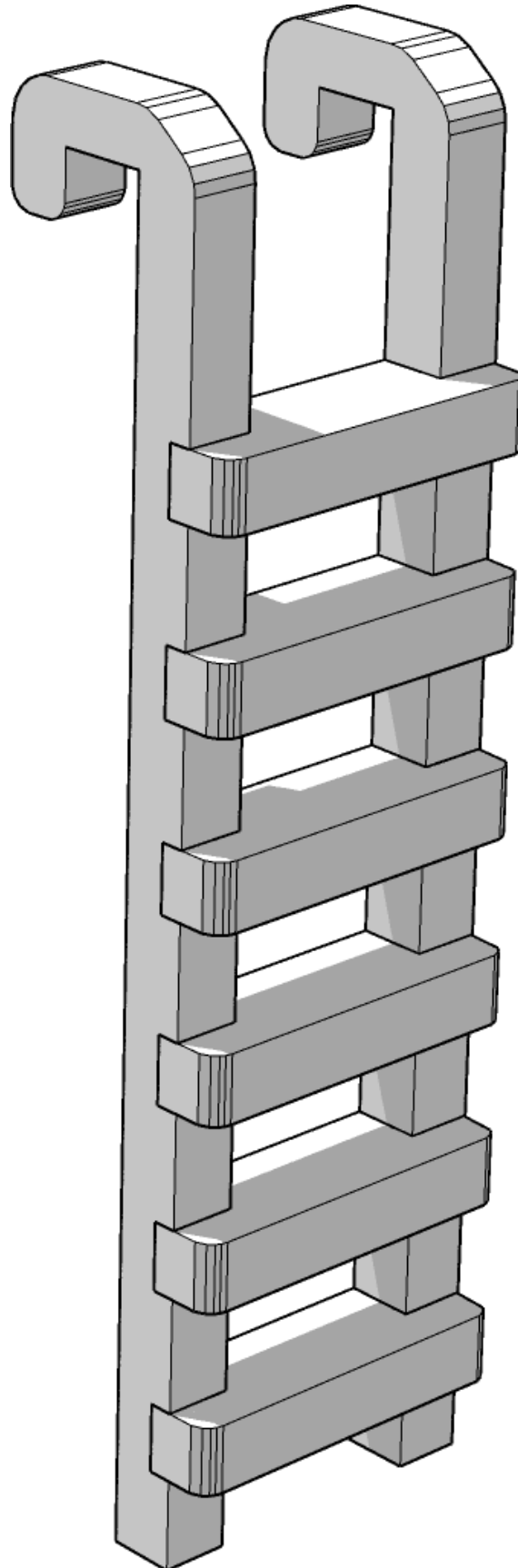




TABLETOP SCENICS

TTSCW-SFU-150
QDSC
Blockhouse

26

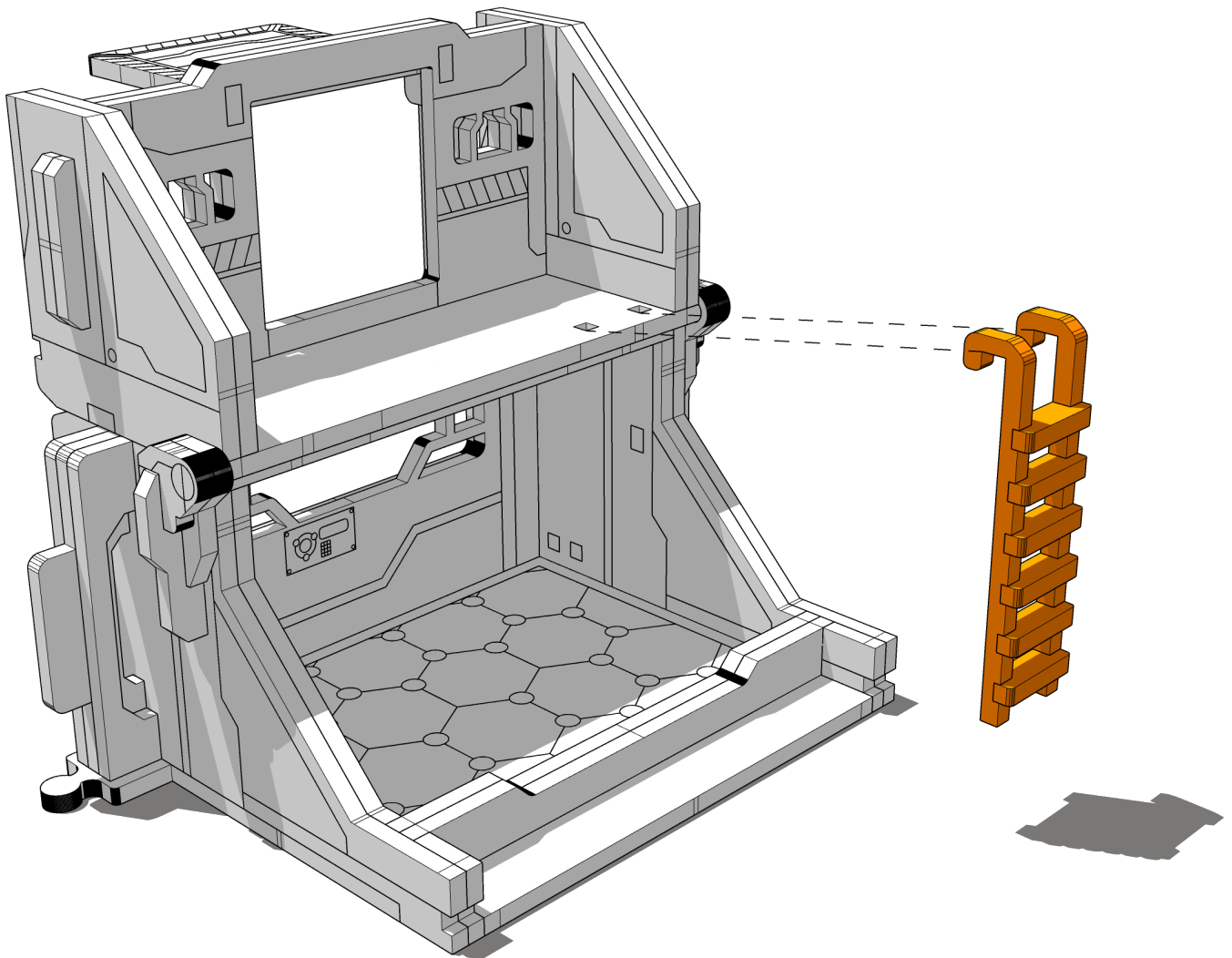




TABLETOP SCENICS

TTSCW-SFU-150
QDSC
Blockhouse

27

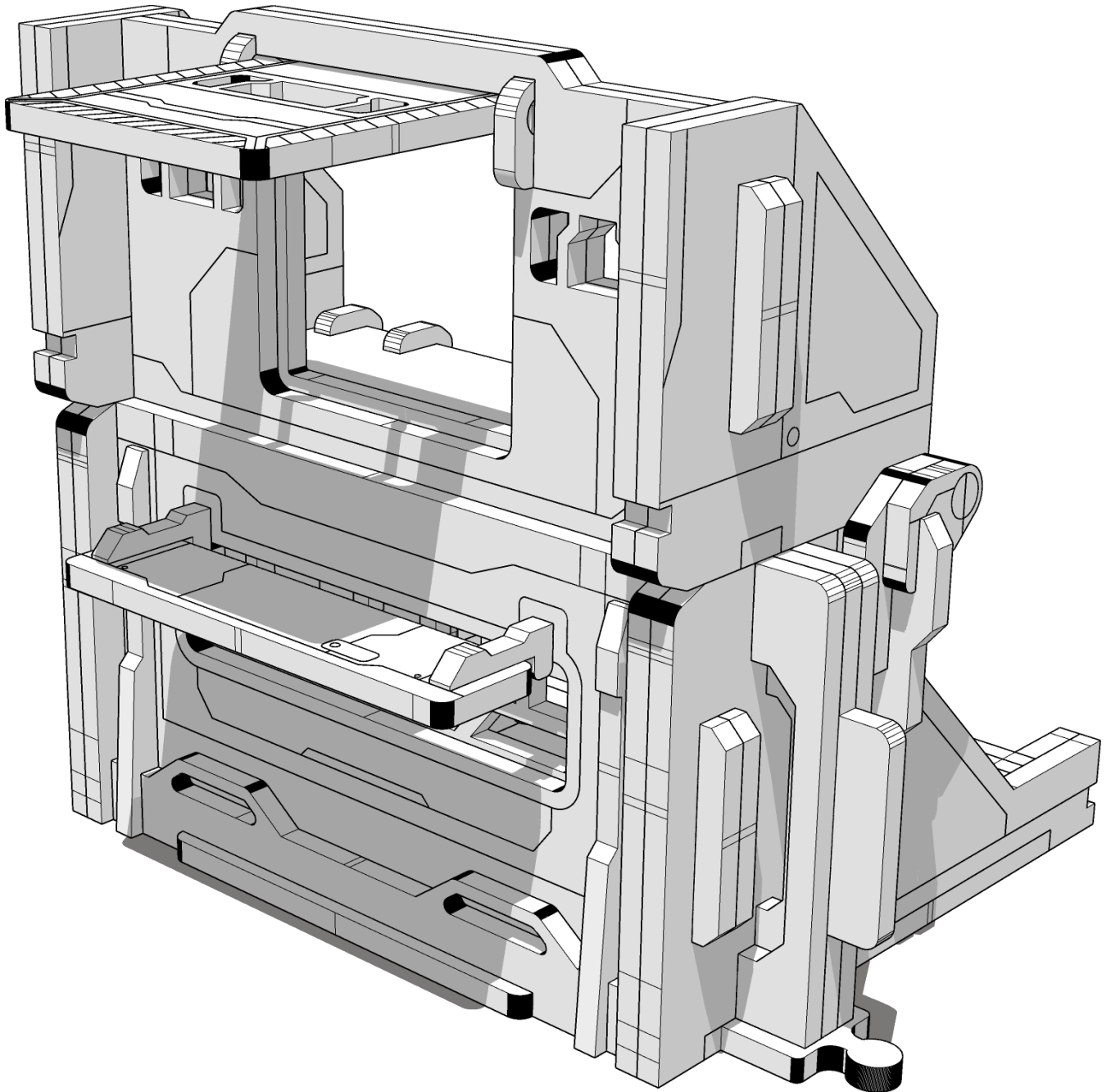




TABLETOP SCENICS

TTSCW-SFU-150
QDSC
Blockhouse

28



Open position



TABLETOP SCENICS

TTSCW-SFU-150
QDSC
Blockhouse

29

