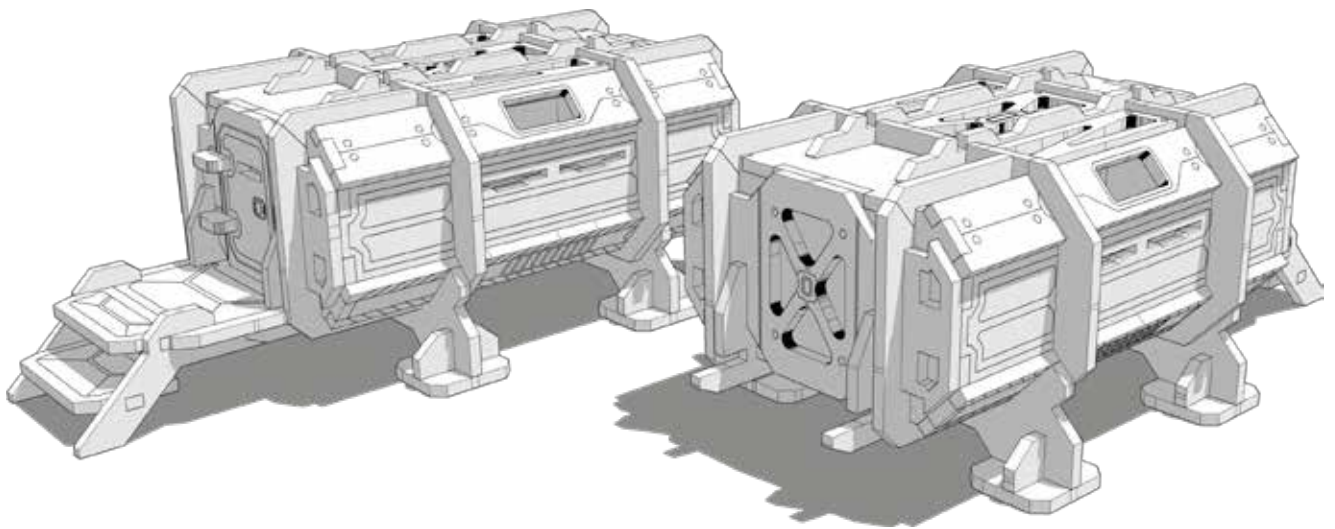




**TABLETOP
SCENICS**

TTSCW-SFU-144
P.U.P:
Portable Utility Pod



 **TTCOMBAT**



TABLETOP SCENICS

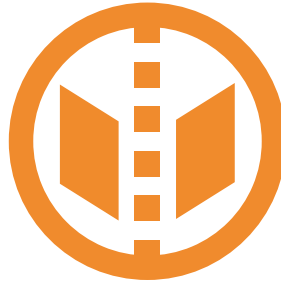
TTSCW-SFU-144
P.U.P:
Portable Utility Pod

2

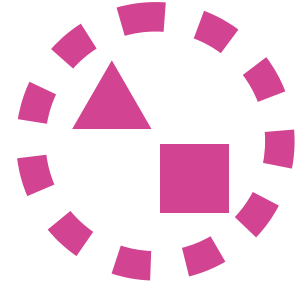
These are a series of icons that may be used throughout the instructions to help your assembly.
If in doubt, scroll ahead to confirm.



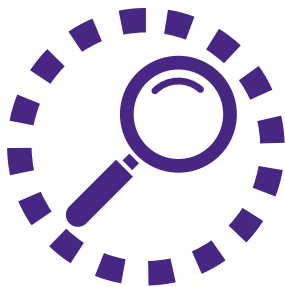
Do not glue this part



Carefully score and
fold this part



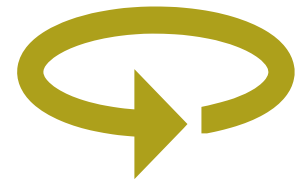
This part - or its placement is
completely optional



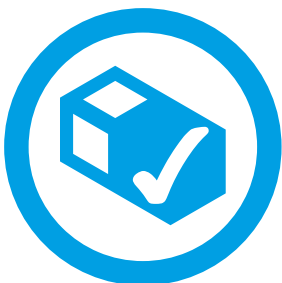
Look closely at this step -
The process order or part
used, may be specific



Repeat making this part
the specified number
of times



The next instruction step
will be the same assembly
so far, but from a different
angle



Sub-assembly complete.
This smaller construction
is ready to add to the
main kit



Assembly Complete! There
could be more optional
parts - check to the very end
of instructions



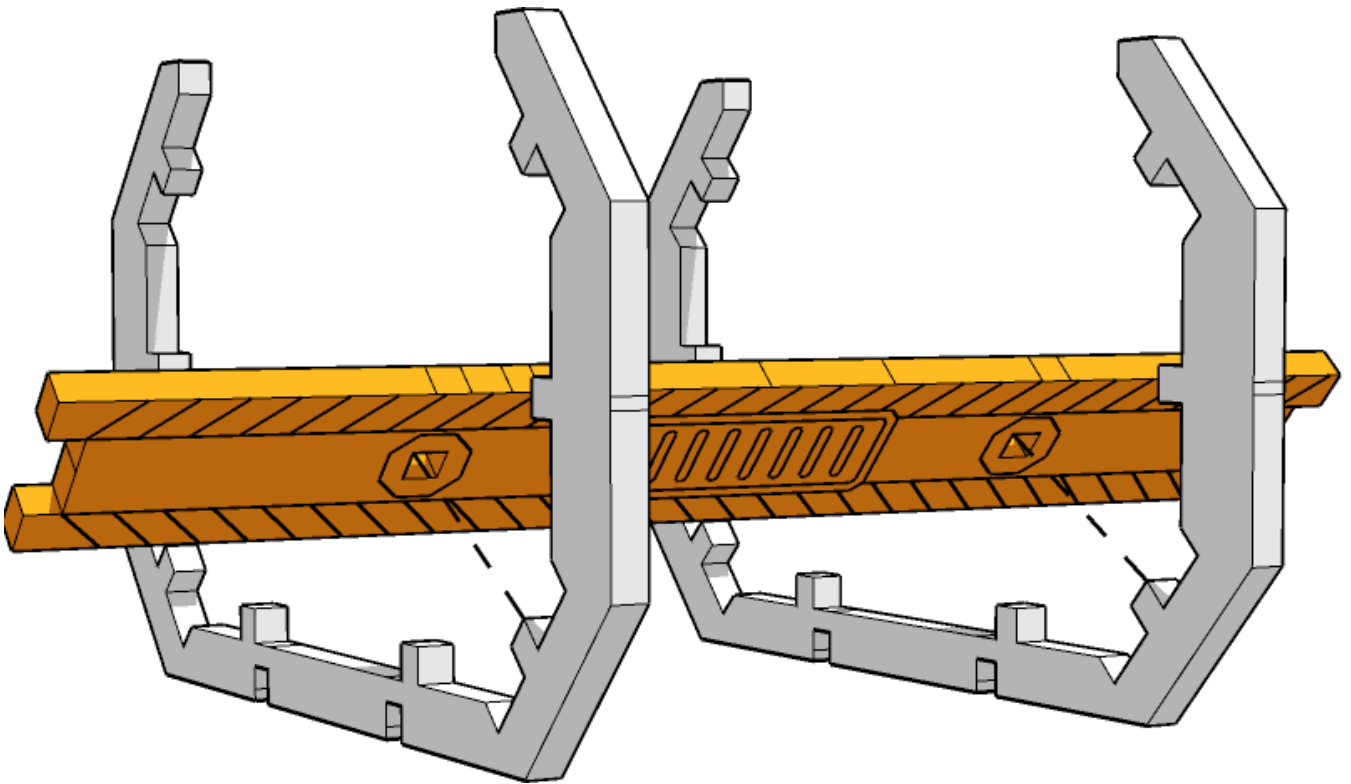
FRAGILE: DO NOT BEND.
“Bendy wood” is designed to
curve around a designed
frame only.



TABLETOP SCENICS

TTSCW-SFU-144
P.U.P:
Portable Utility Pod

3

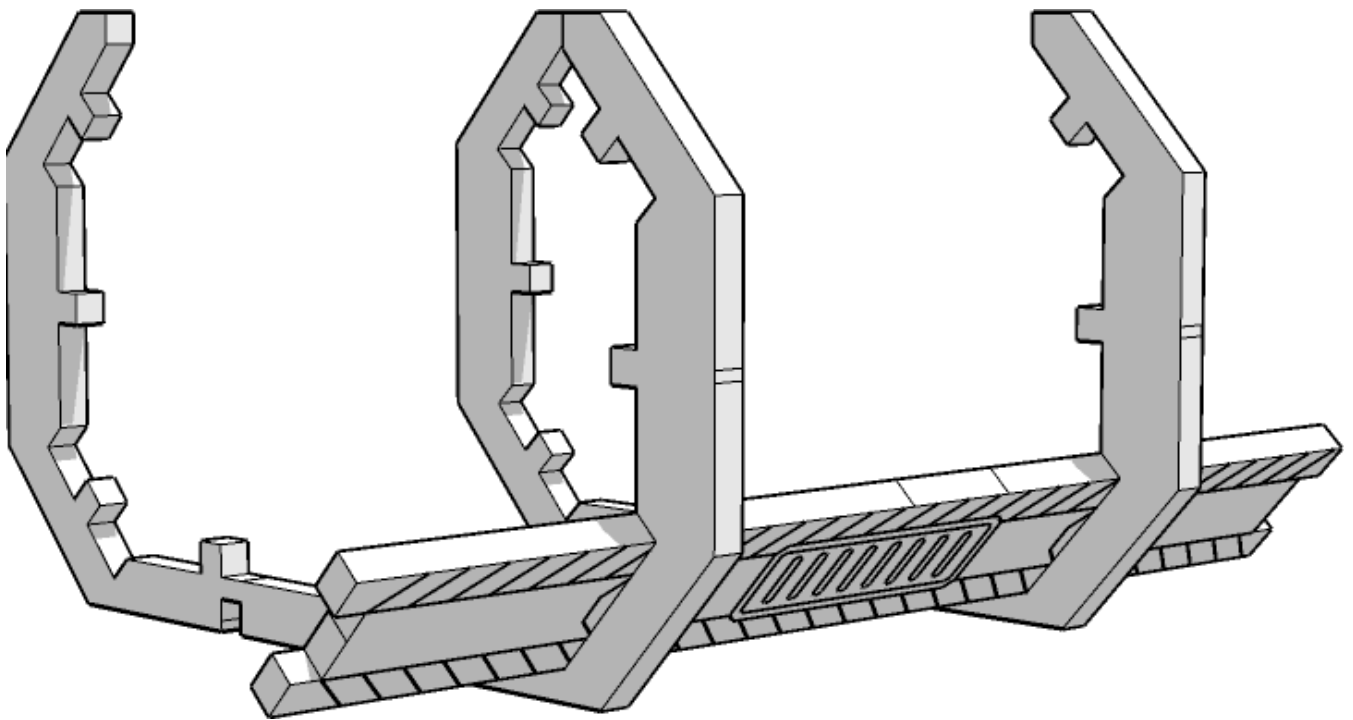




TABLETOP SCENICS

TTSCW-SFU-144
P.U.P:
Portable Utility Pod

4

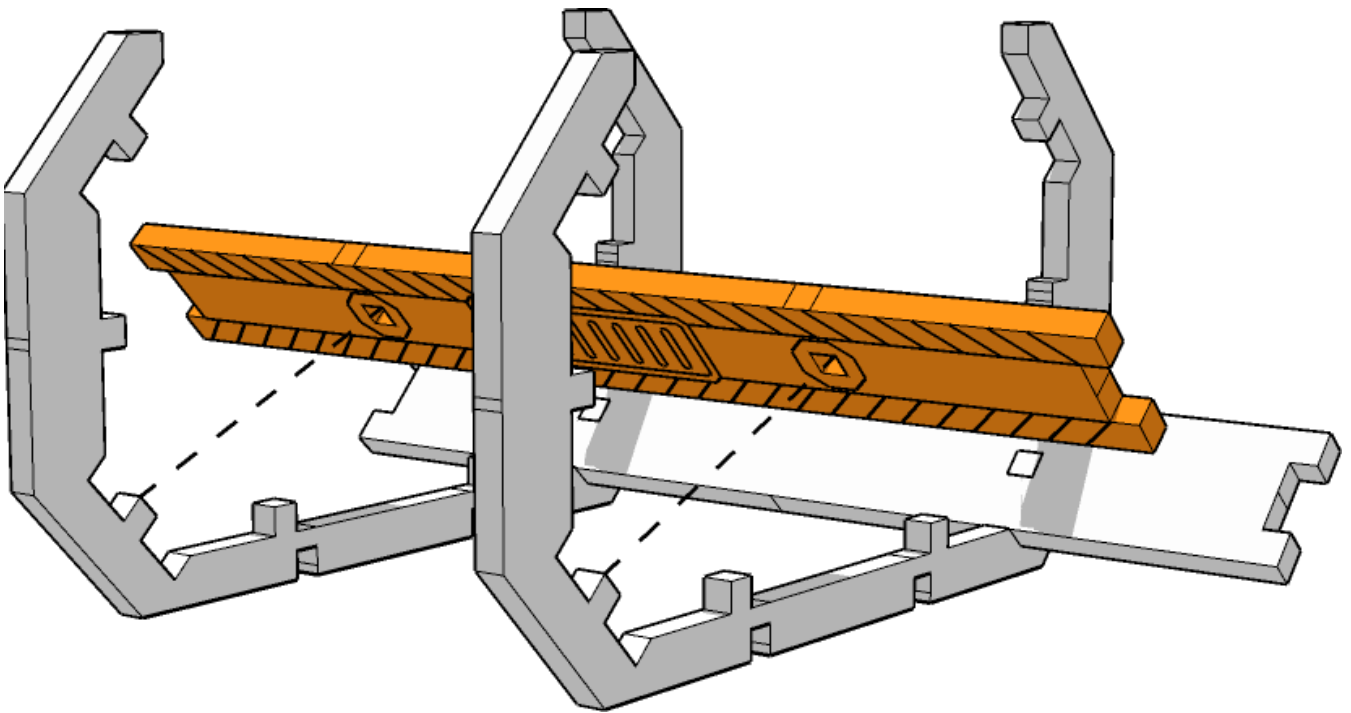




TABLETOP SCENICS

TTSCW-SFU-144
P.U.P:
Portable Utility Pod

5

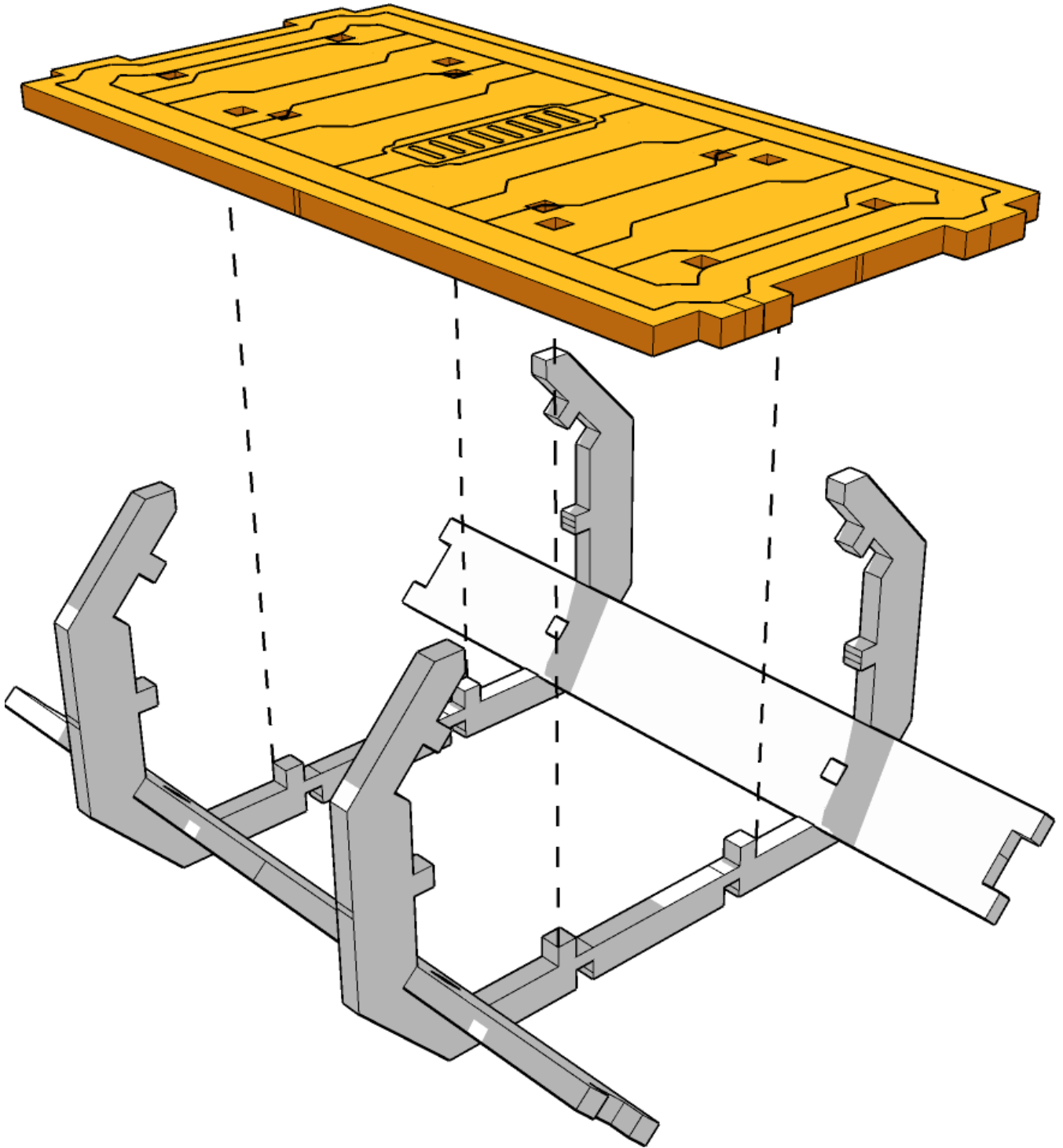




TABLETOP SCENICS

TTSCW-SFU-144
P.U.P:
Portable Utility Pod

6

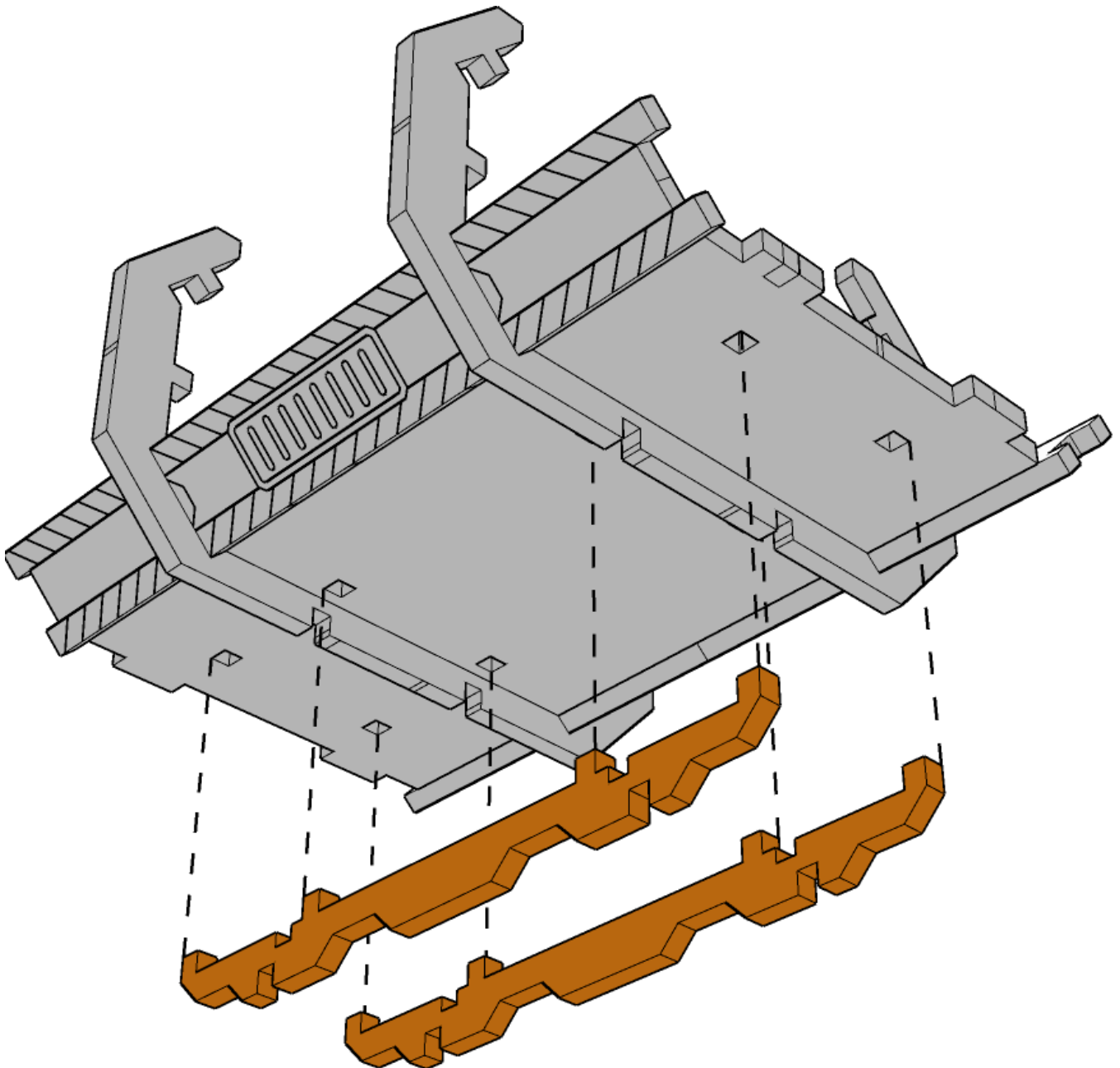




TABLETOP SCENICS

TTSCW-SFU-144
P.U.P:
Portable Utility Pod

7



Highlighted parts are similar to others, make sure they match the above



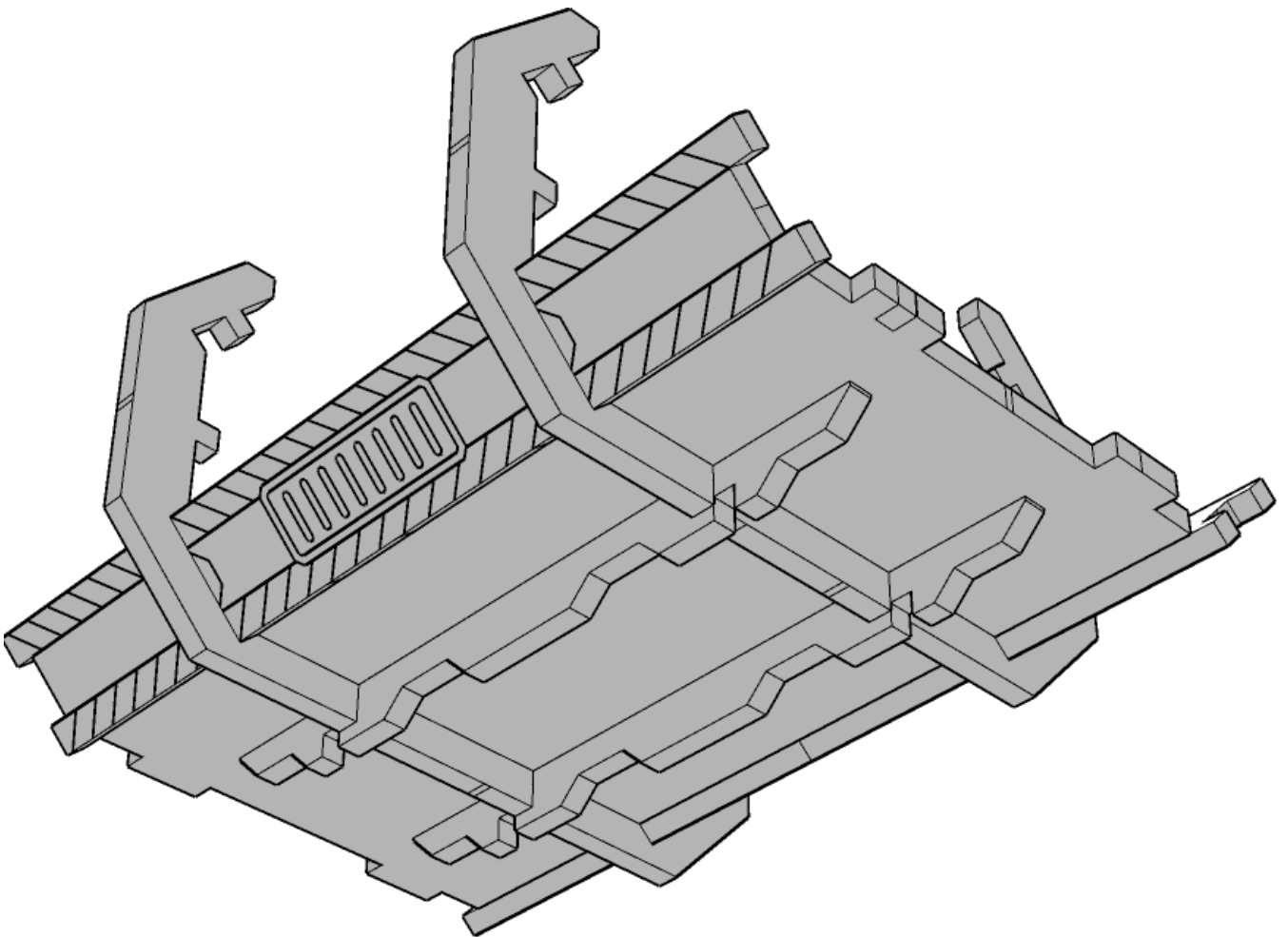
 **TTCOMBAT**



TABLETOP SCENICS

TTSCW-SFU-144
P.U.P:
Portable Utility Pod

8

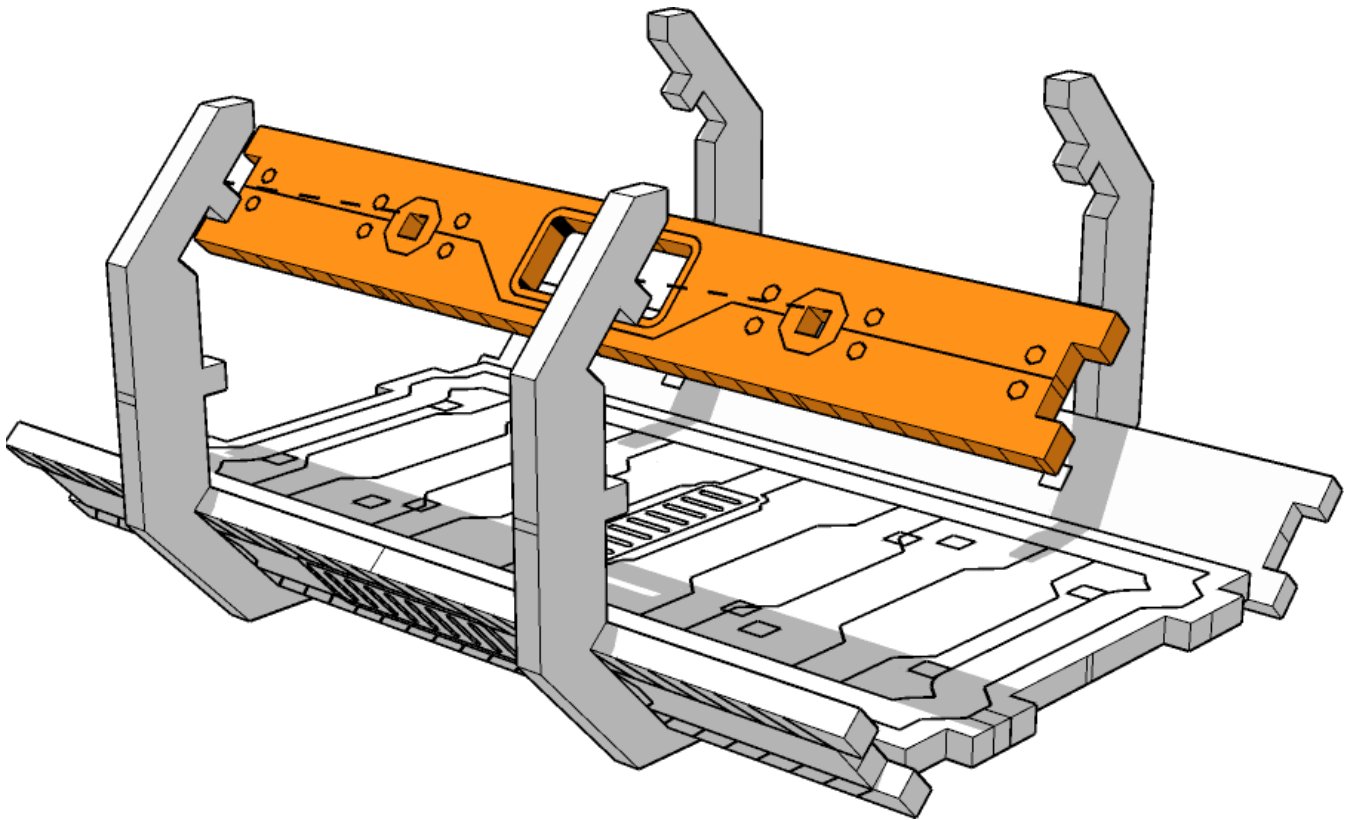




TABLETOP SCENICS

TTSCW-SFU-144
P.U.P:
Portable Utility Pod

9

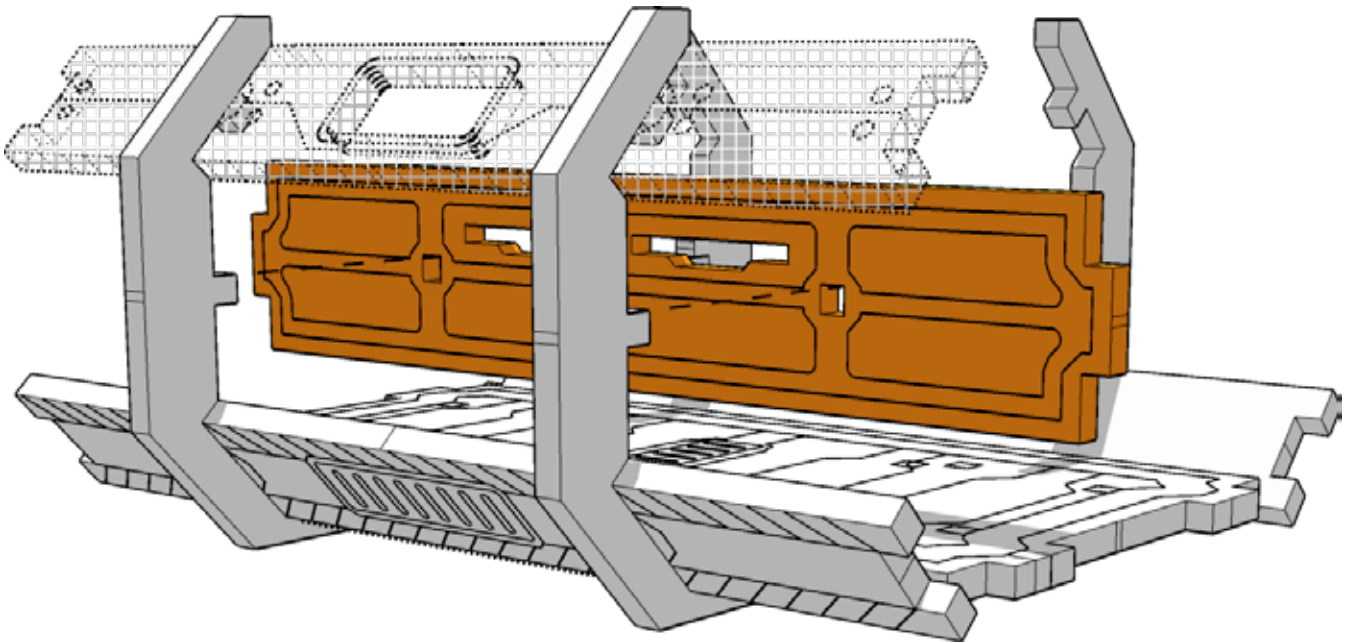




TABLETOP SCENICS

TTSCW-SFU-144
P.U.P:
Portable Utility Pod

10

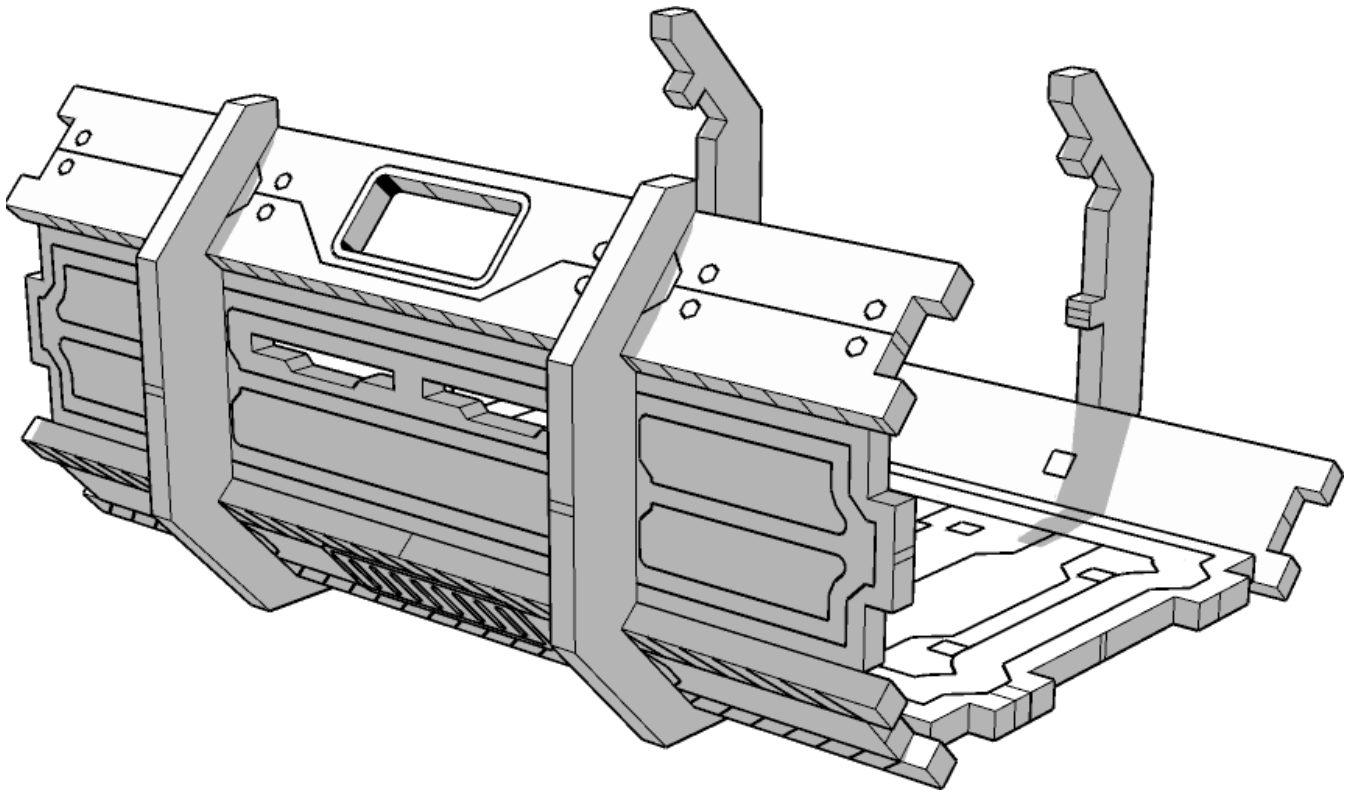




TABLETOP SCENICS

TTSCW-SFU-144
P.U.P:
Portable Utility Pod

11

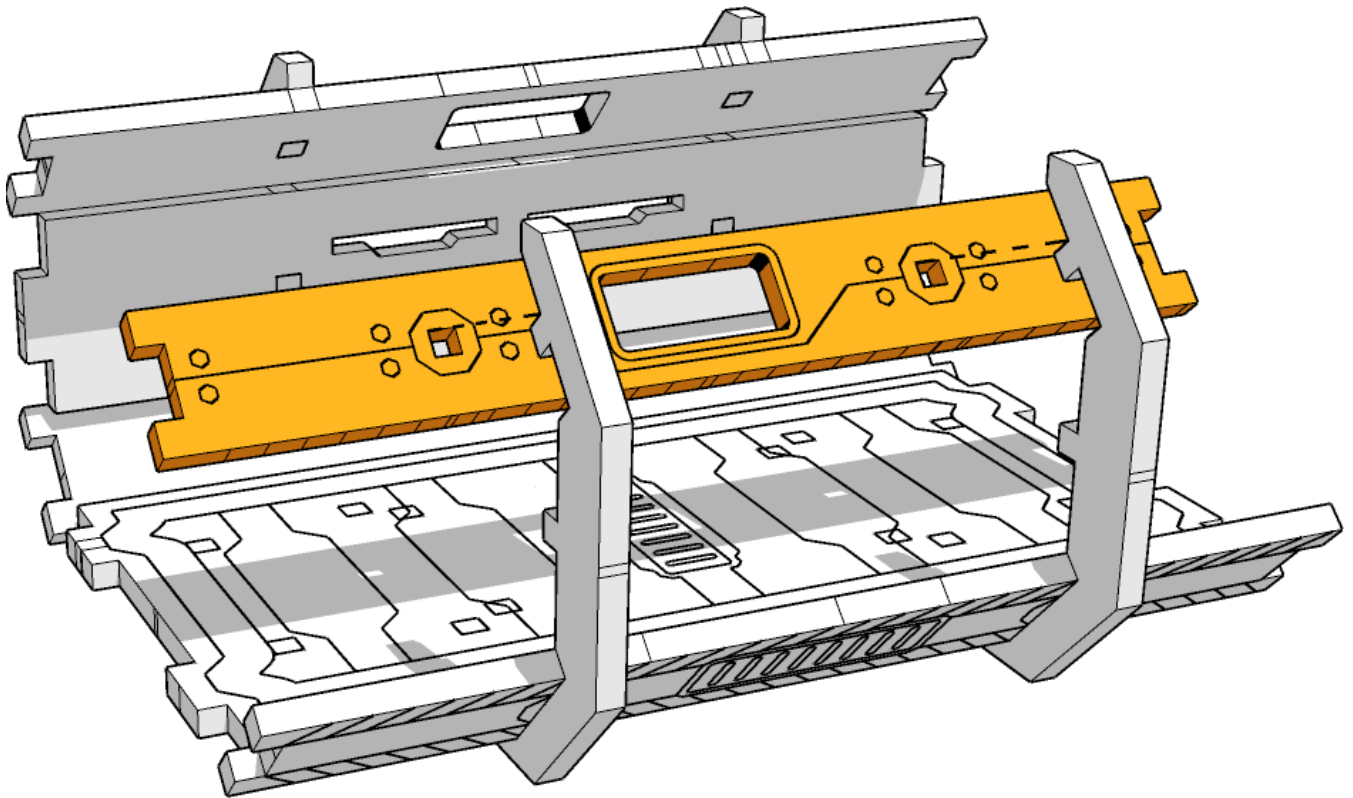




TABLETOP SCENICS

TTSCW-SFU-144
P.U.P:
Portable Utility Pod

12

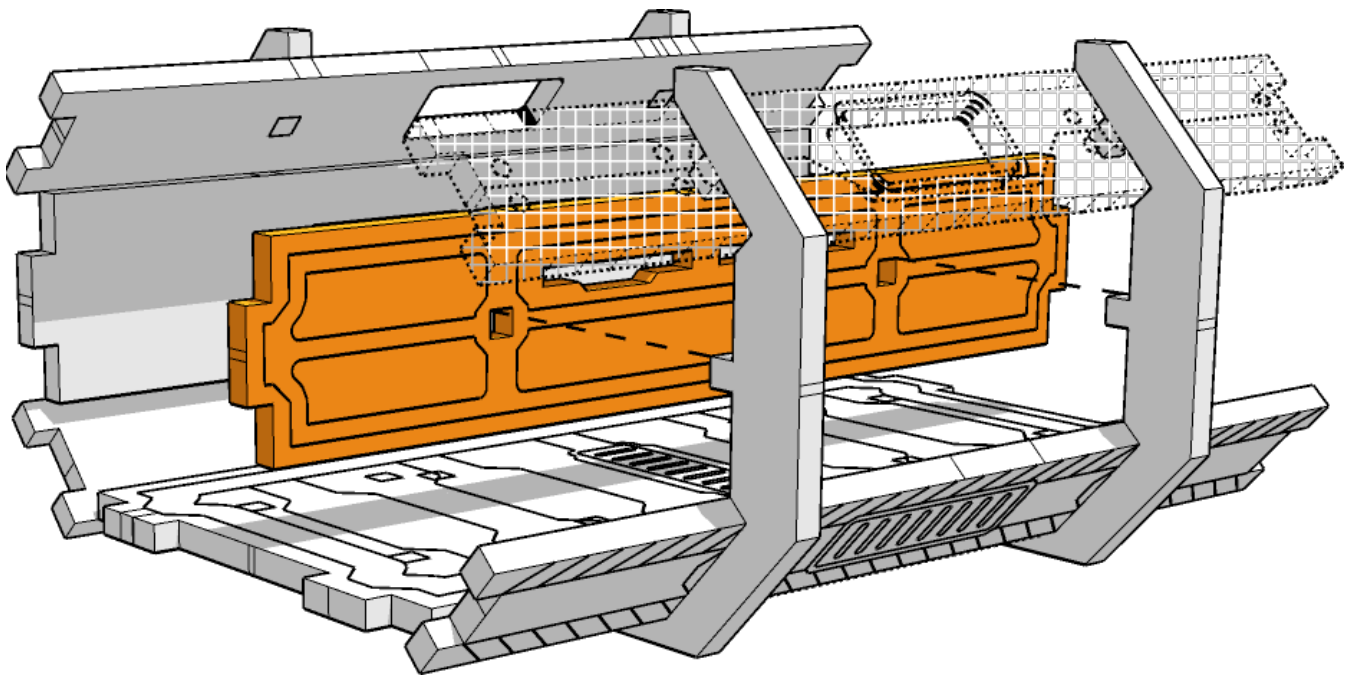




TABLETOP SCENICS

TTSCW-SFU-144
P.U.P:
Portable Utility Pod

13

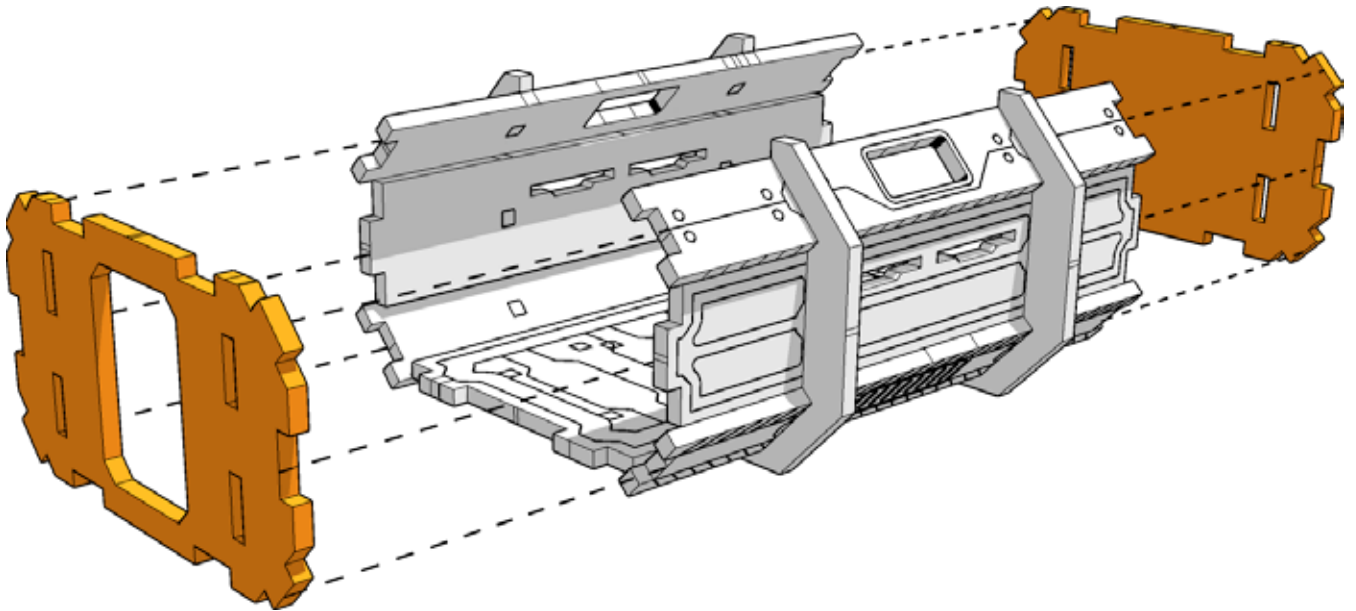




TABLETOP SCENICS

TTSCW-SFU-144
P.U.P:
Portable Utility Pod

14

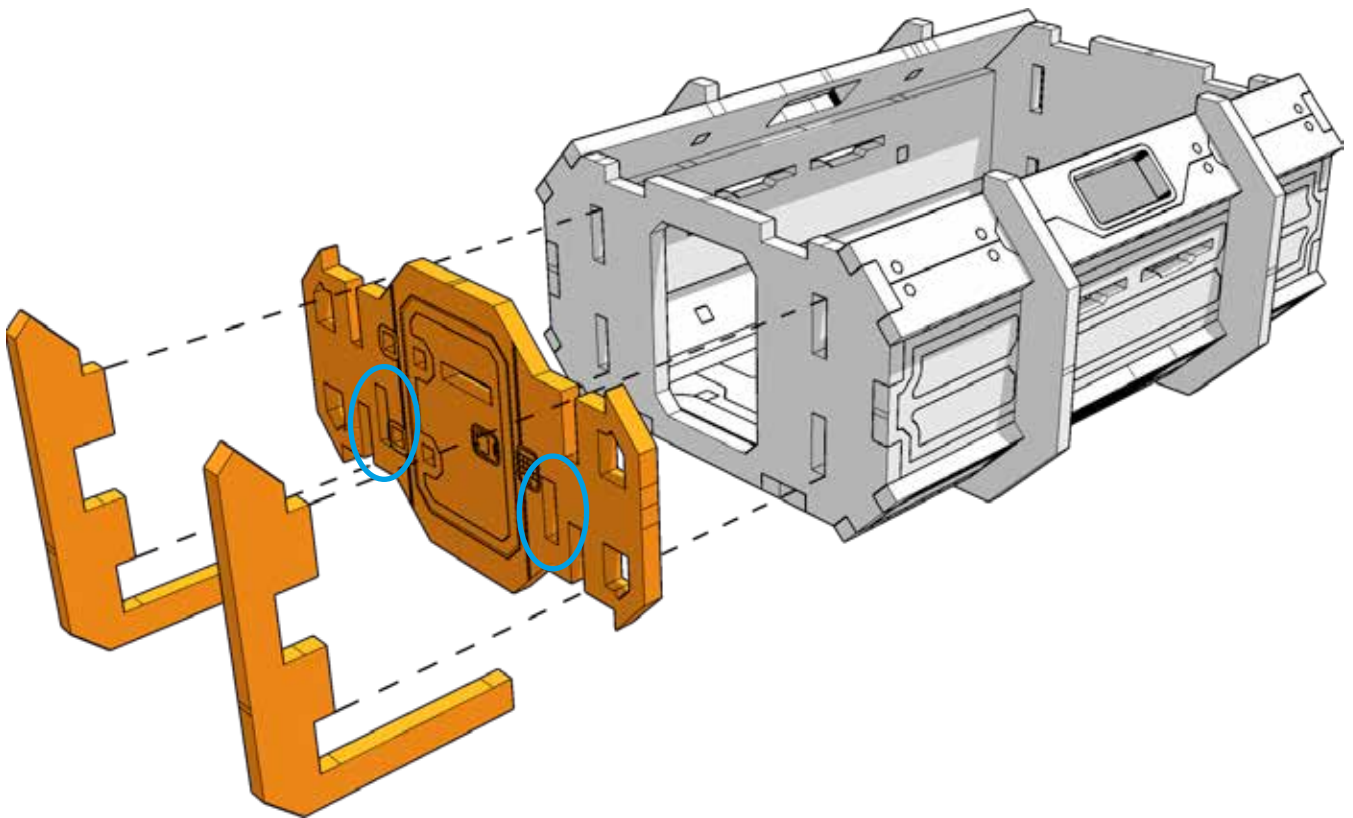




TABLETOP SCENICS

TTSCW-SFU-144
P.U.P:
Portable Utility Pod

15



Door should be on the open slot end. It is optional to remove the door or not. Circled parts need to be at the bottom



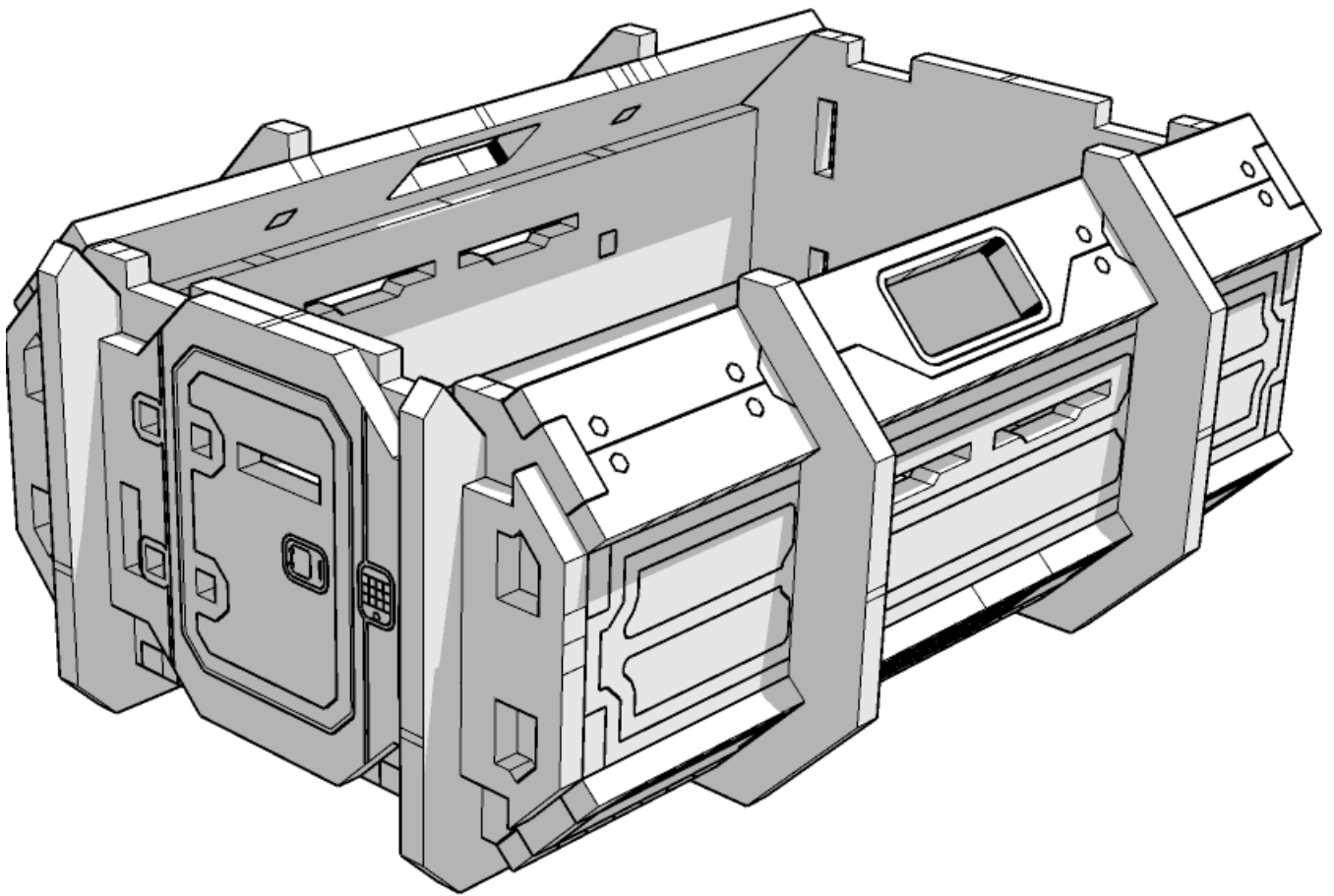
 **TTCOMBAT**



TABLETOP SCENICS

TTSCW-SFU-144
P.U.P:
Portable Utility Pod

16

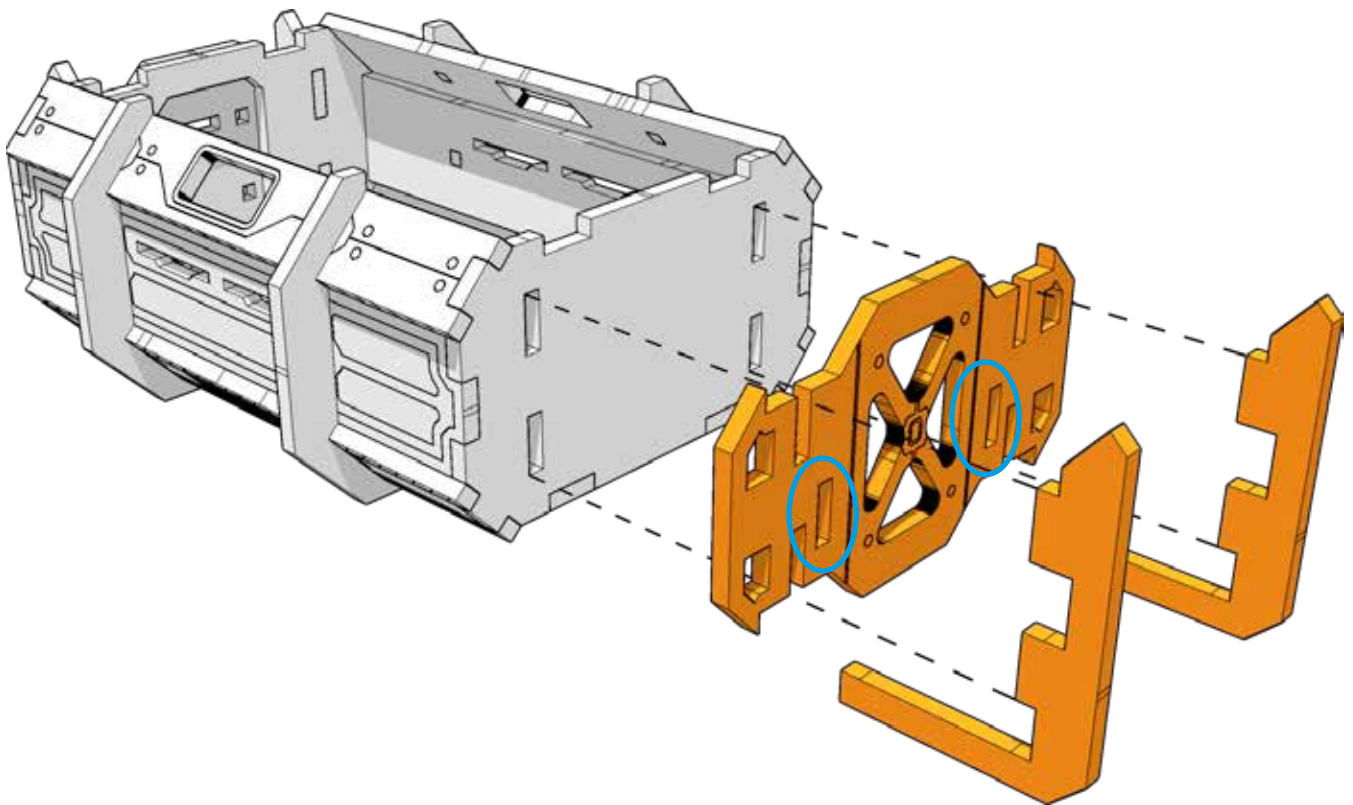




TABLETOP SCENICS

TTSCW-SFU-144
P.U.P:
Portable Utility Pod

17



Circled parts should be at the bottom



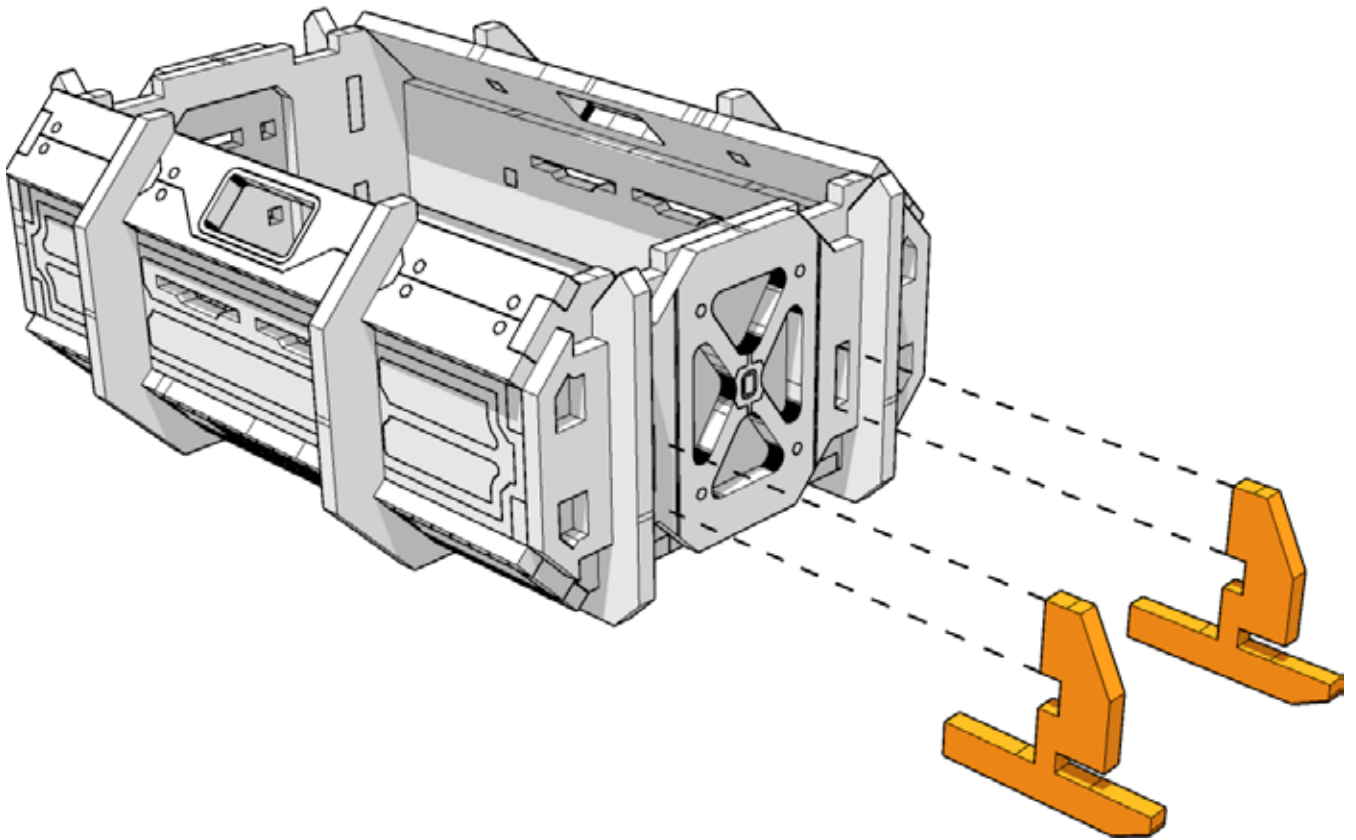
 **TTCOMBAT**



TABLETOP SCENICS

TTSCW-SFU-144
P.U.P:
Portable Utility Pod

18

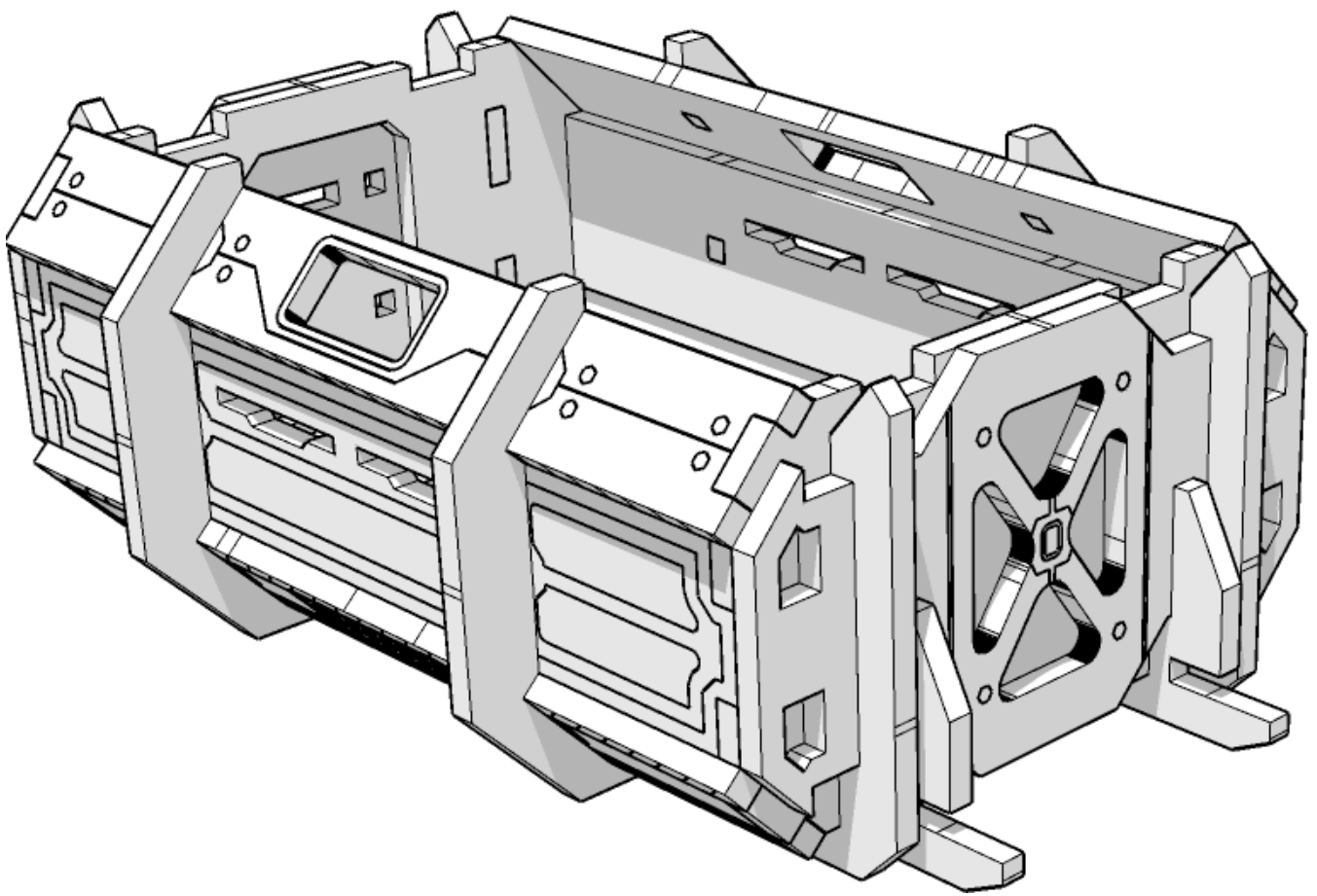




TABLETOP SCENICS

TTSCW-SFU-144
P.U.P:
Portable Utility Pod

19

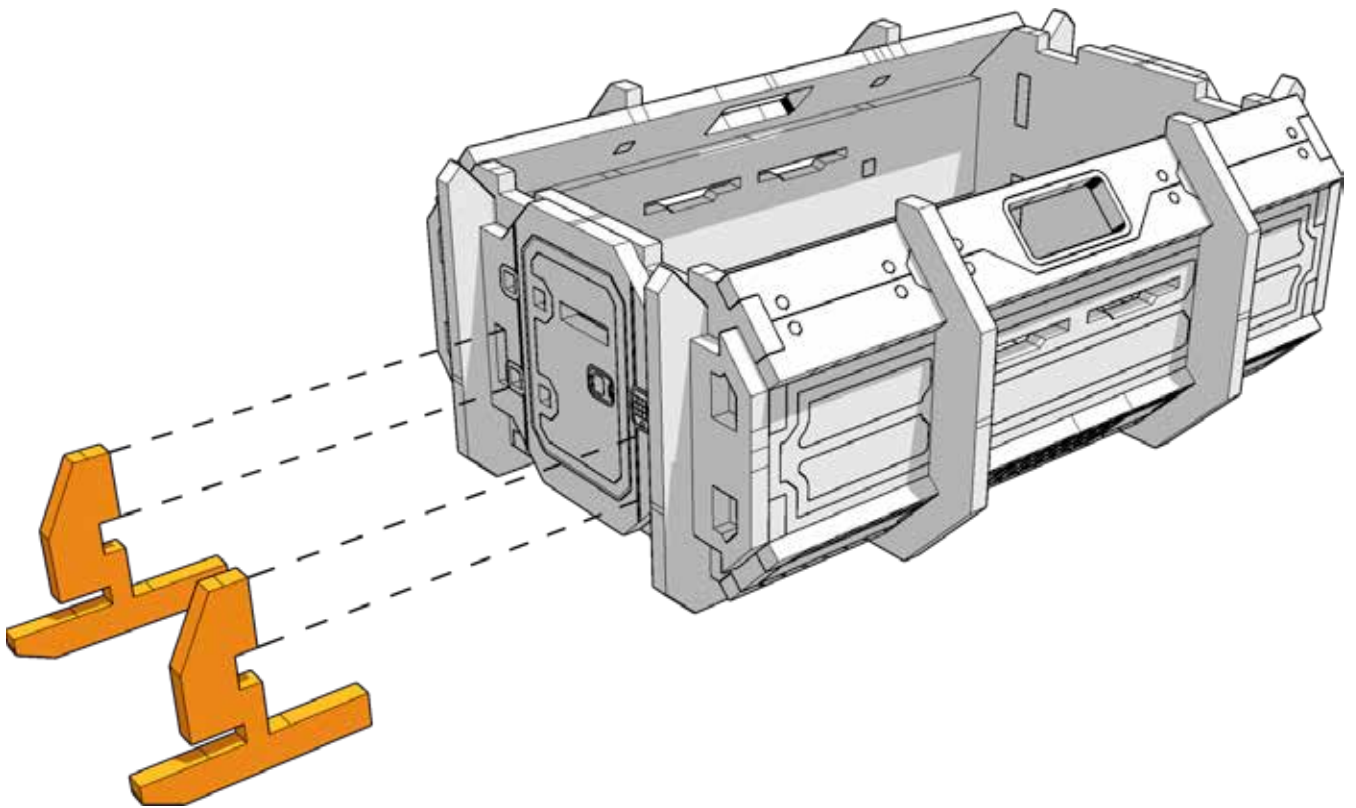




TABLETOP SCENICS

20

TTSCW-SFU-144
P.U.P:
Portable Utility Pod

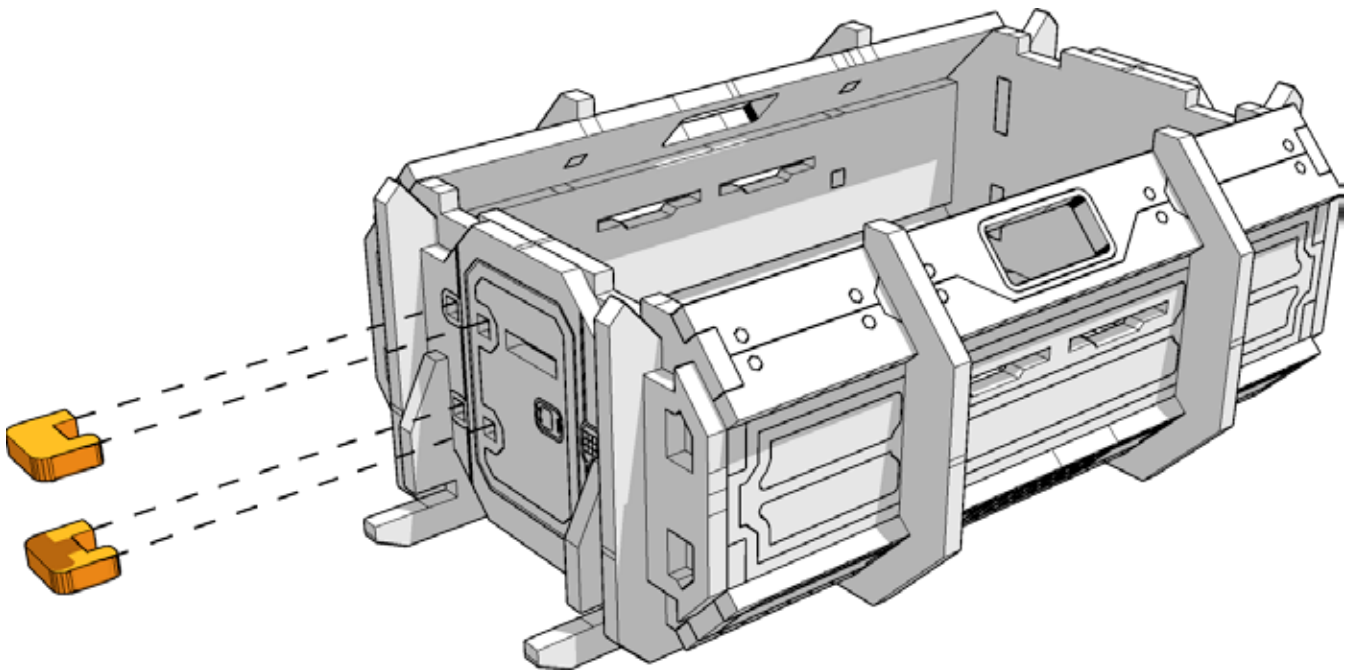




TABLETOP
SCENICS

TTSCW-SFU-144
P.U.P:
Portable Utility Pod

21

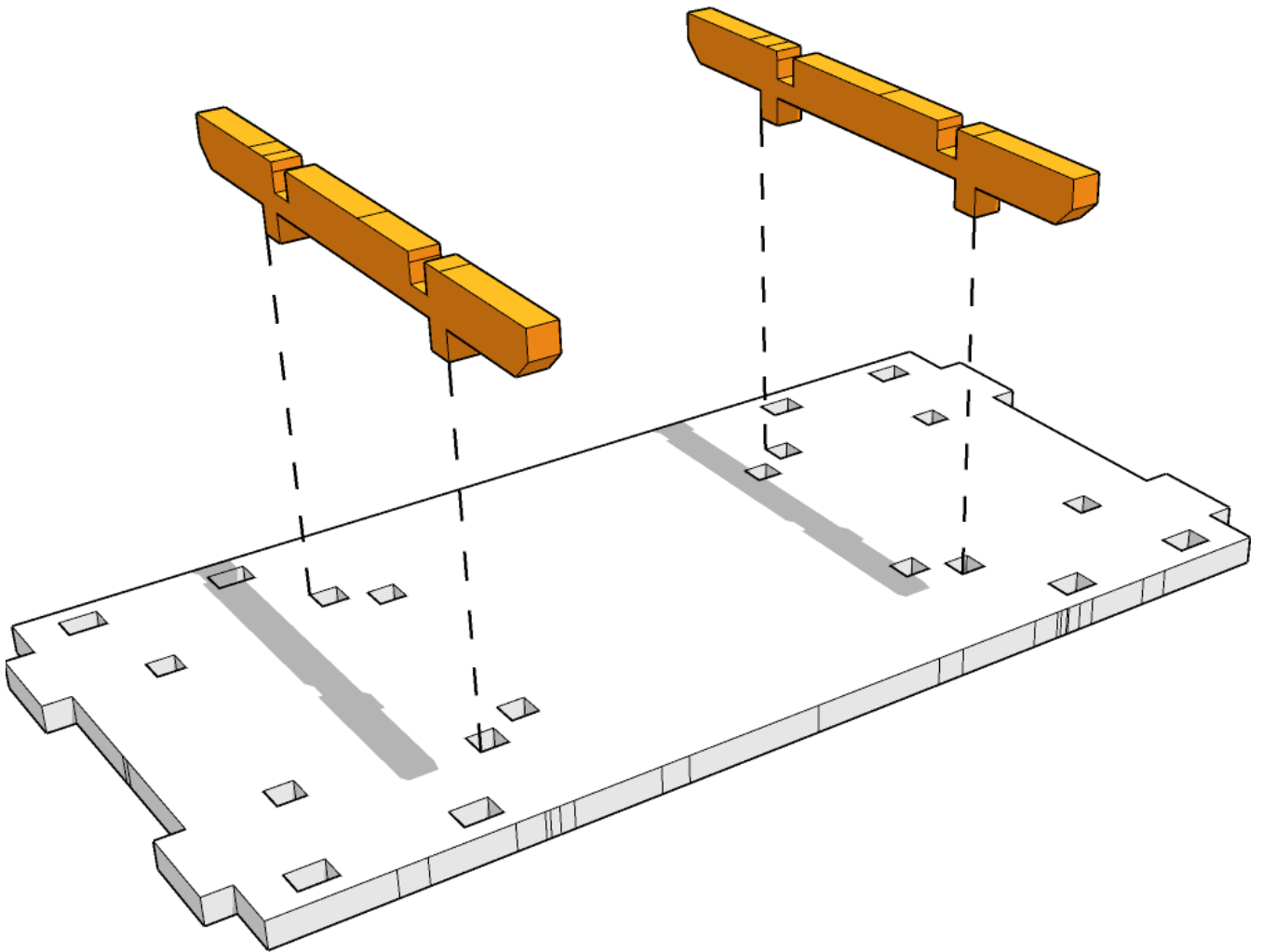




TABLETOP SCENICS

TTSCW-SFU-144
P.U.P:
Portable Utility Pod

22

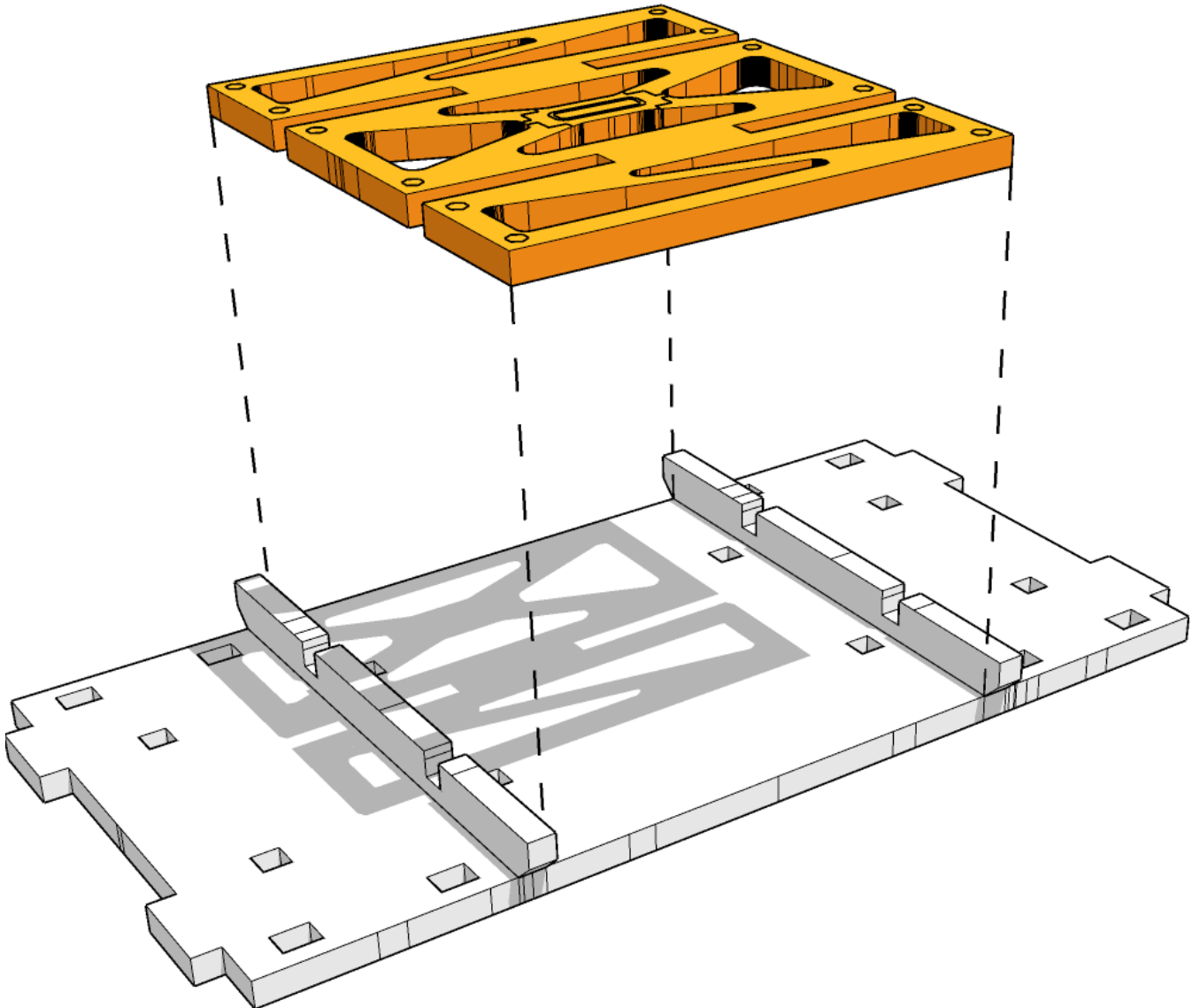




TABLETOP SCENICS

TTSCW-SFU-144
P.U.P:
Portable Utility Pod

23

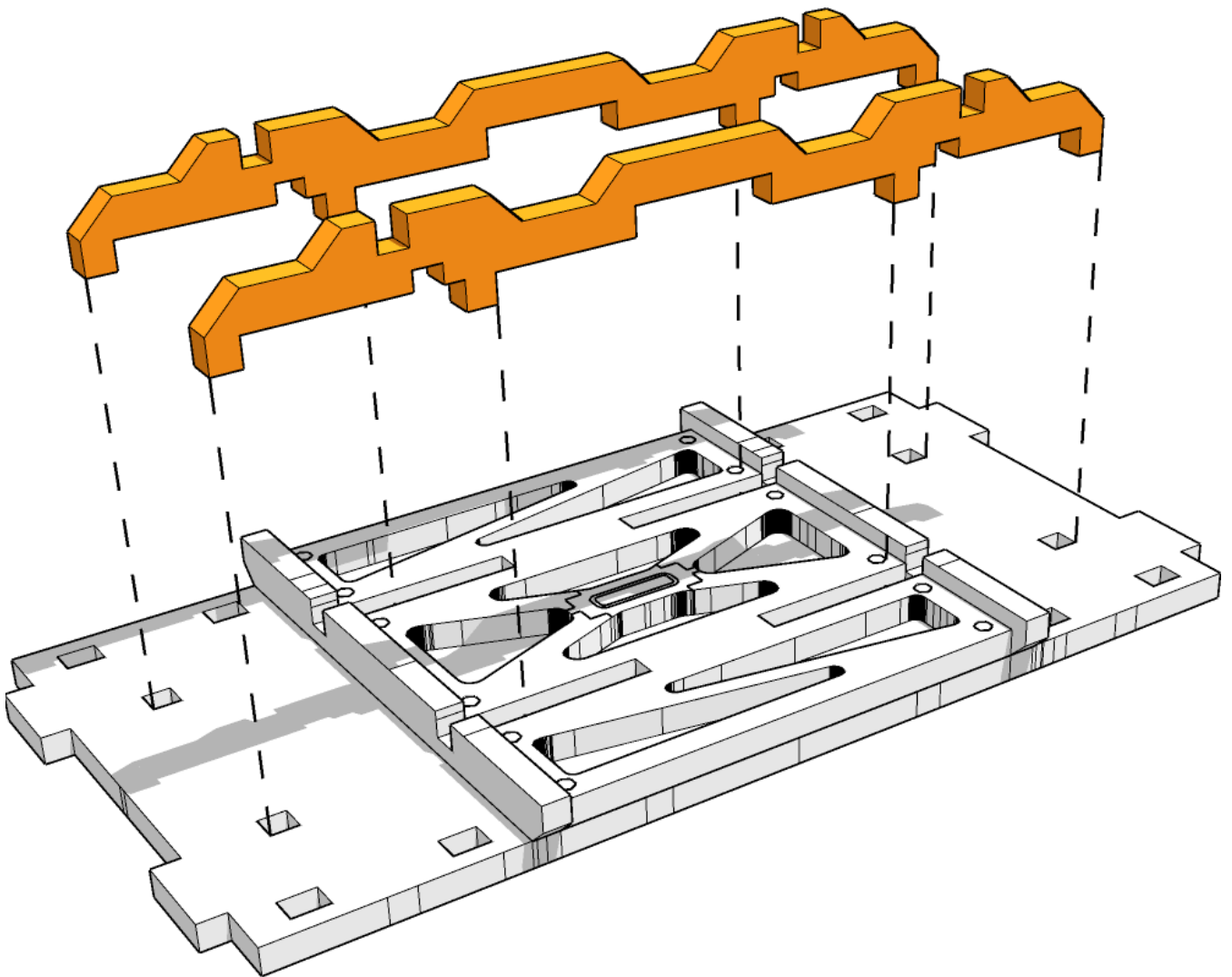




TABLETOP SCENICS

TTSCW-SFU-144
P.U.P:
Portable Utility Pod

24

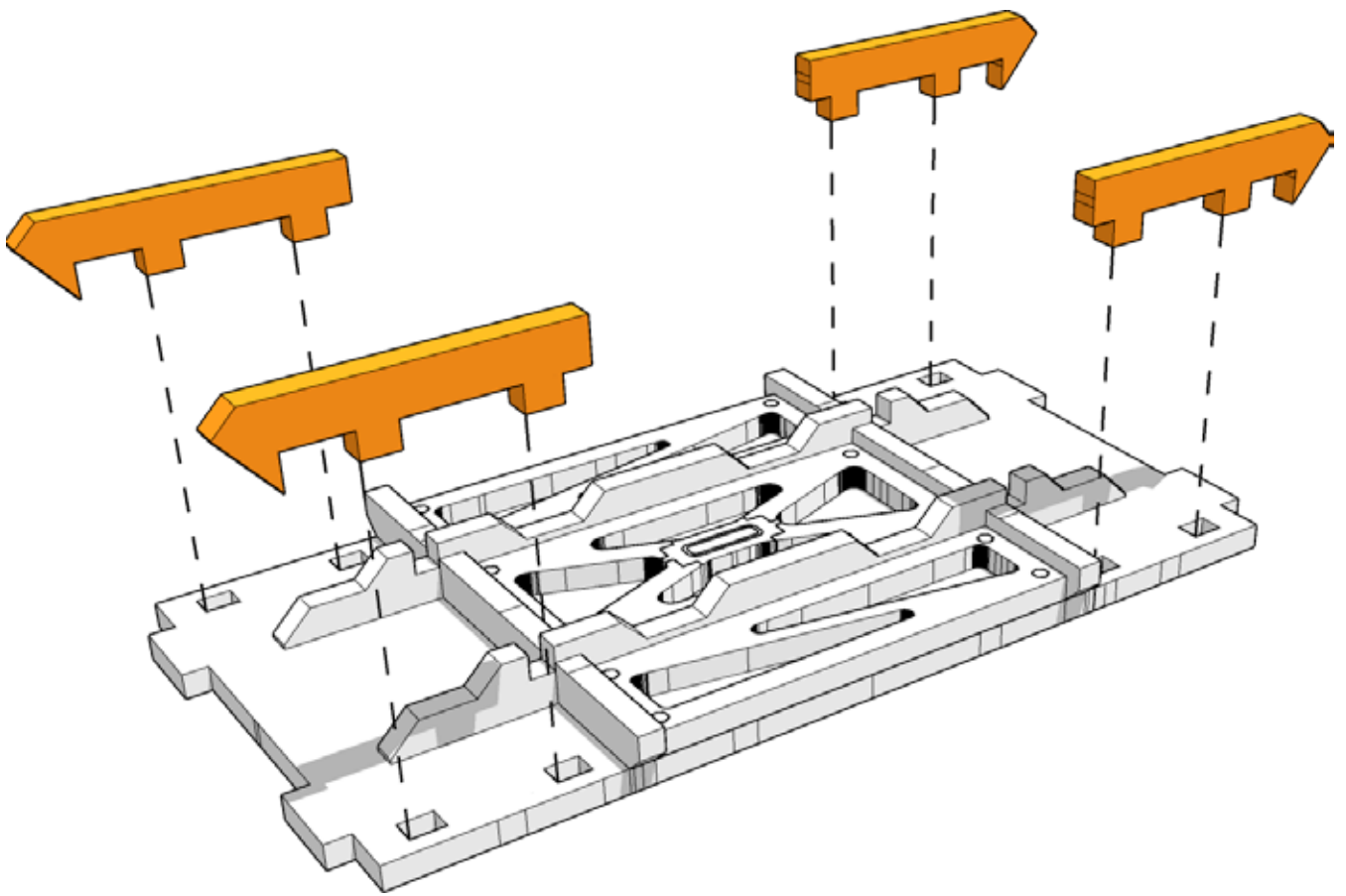




TABLETOP SCENICS

TTSCW-SFU-144
P.U.P:
Portable Utility Pod

25





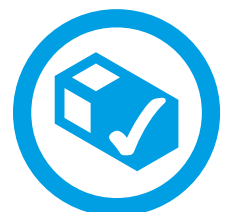
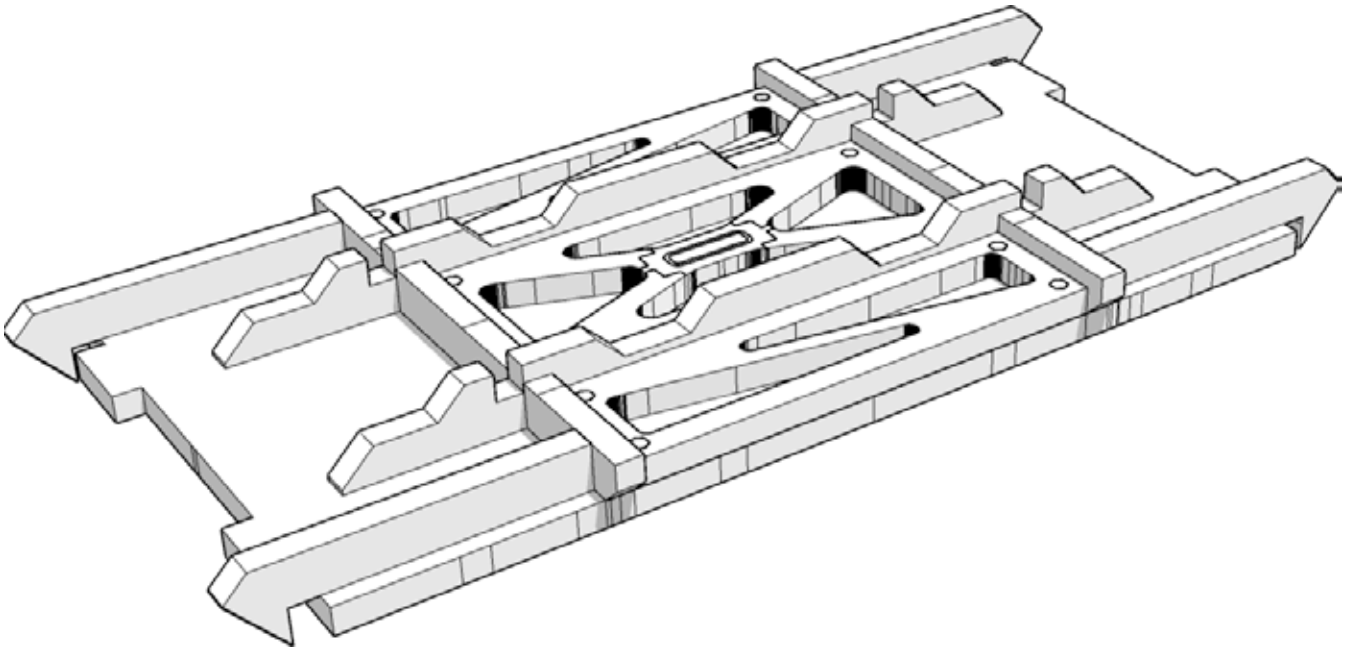
TABLETOP SCENICS

TTSCW-SFU-144

P.U.P:

Portable Utility Pod

26

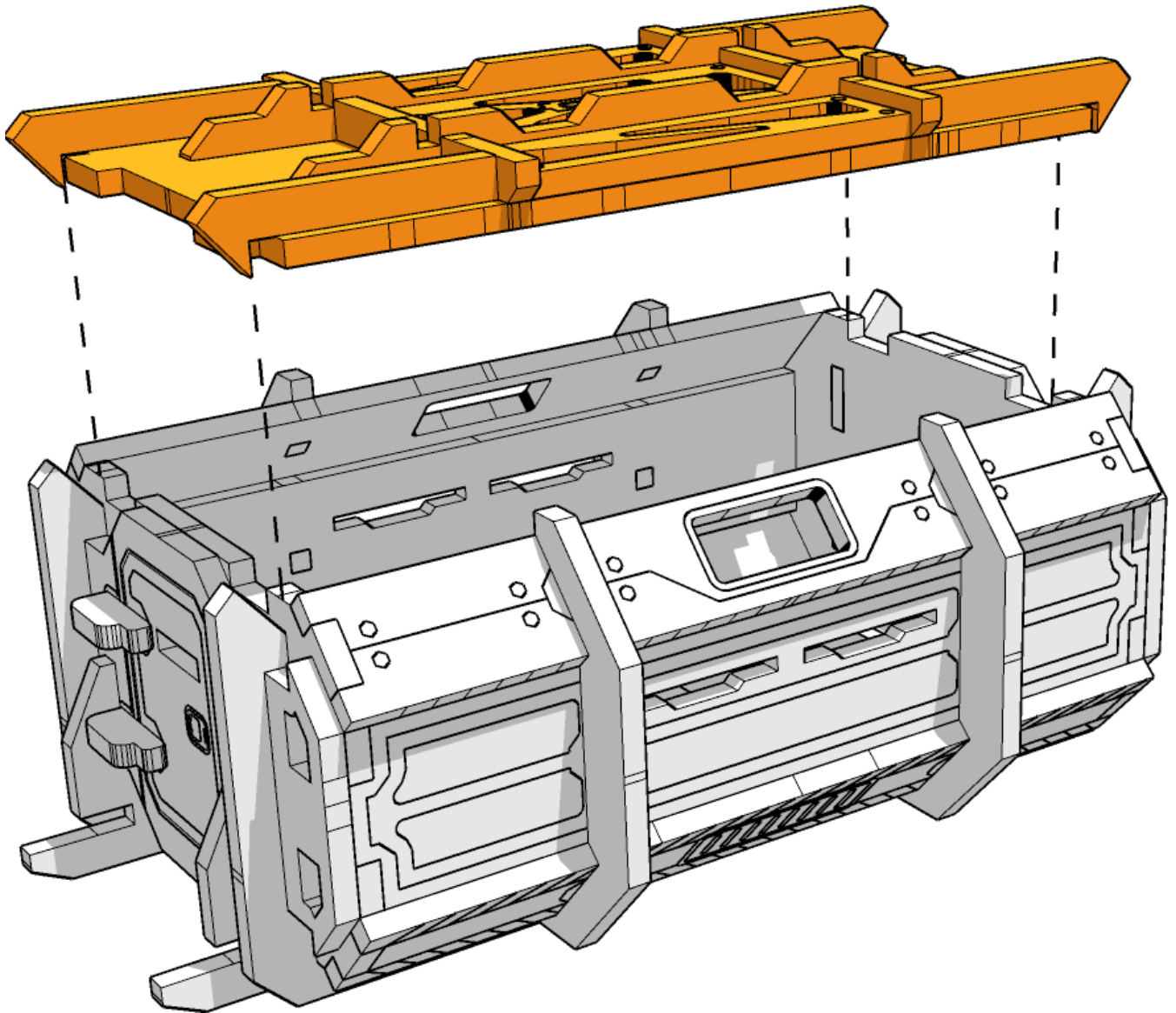




TABLETOP SCENICS

TTSCW-SFU-144
P.U.P:
Portable Utility Pod

27



Some filing may be required but the roof is
removeable if you choose



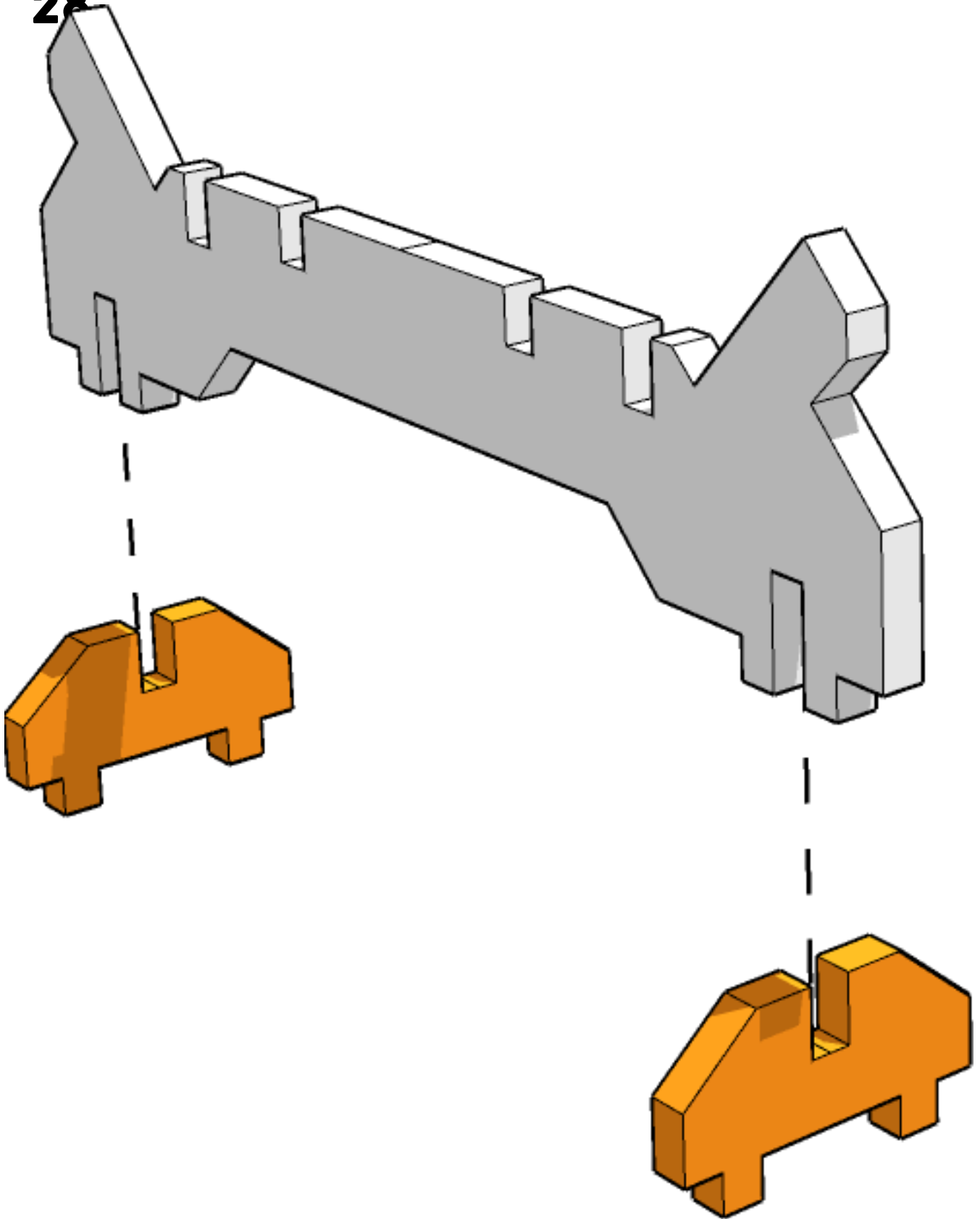
 **TTCOMBAT**



TABLETOP SCENICS

TTSCW-SFU-144
P.U.P:
Portable Utility Pod

28

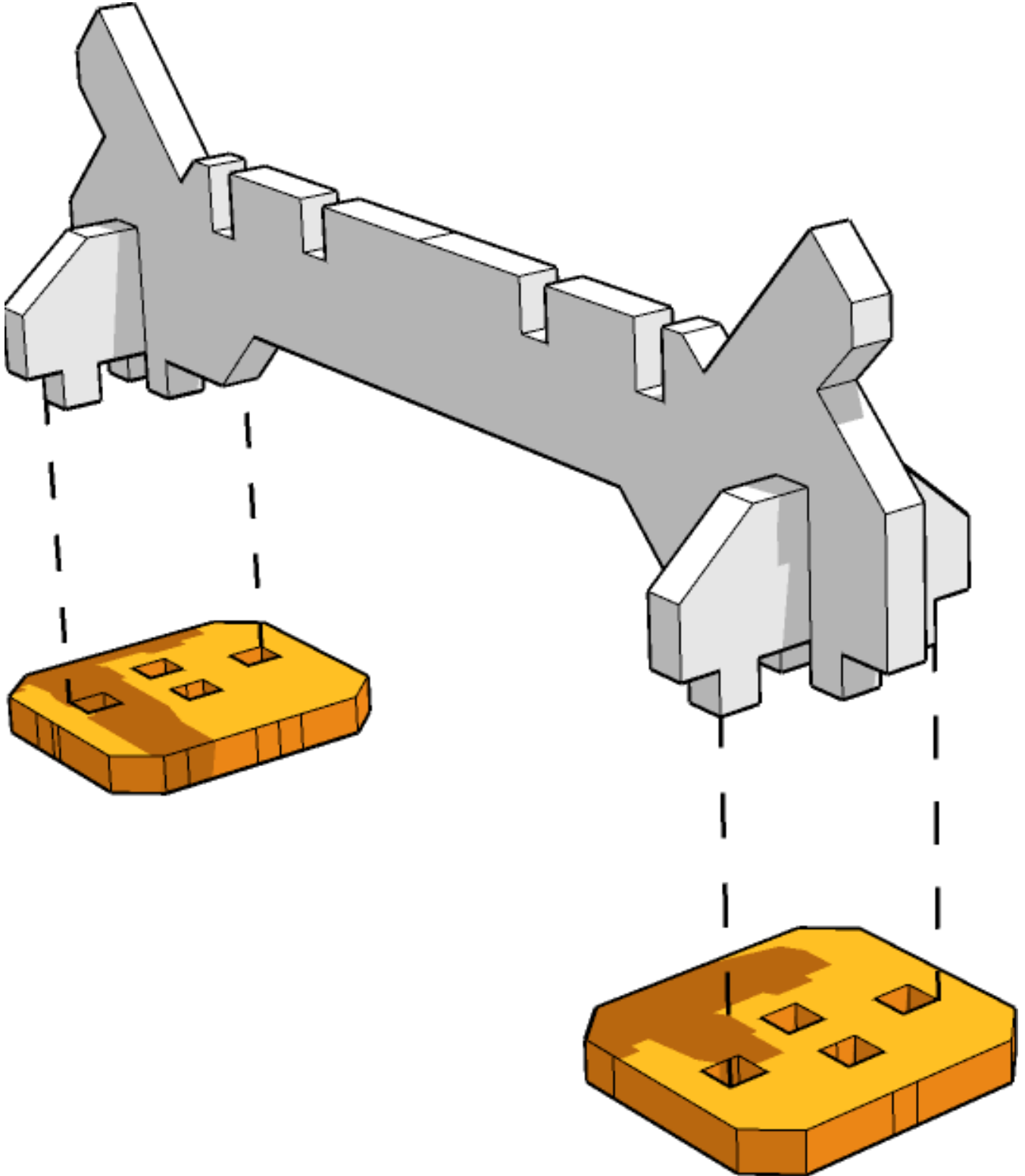




TABLETOP SCENICS

TTSCW-SFU-144
P.U.P:
Portable Utility Pod

29





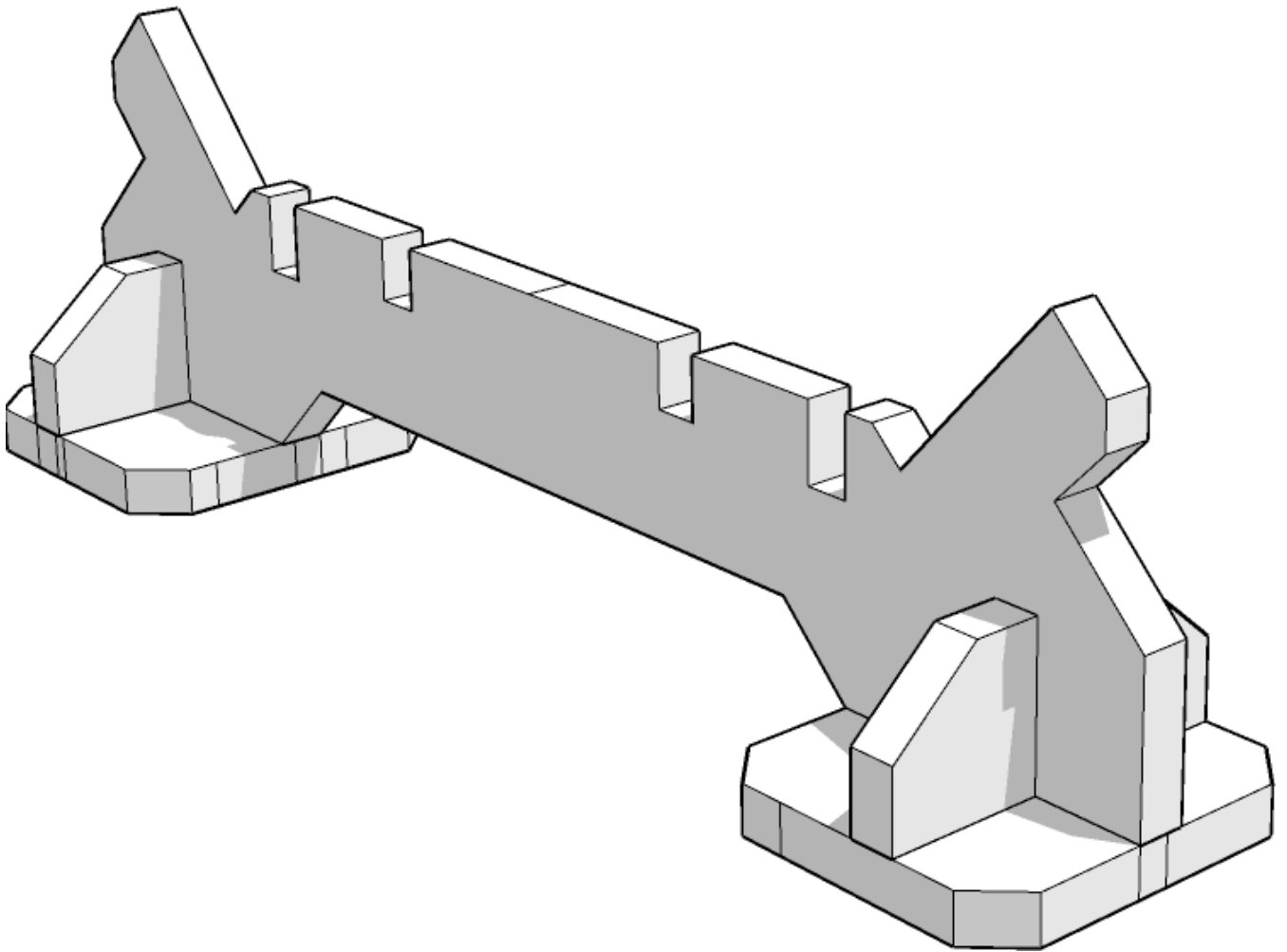
TABLETOP SCENICS

TTSCW-SFU-144

P.U.P:

Portable Utility Pod

30



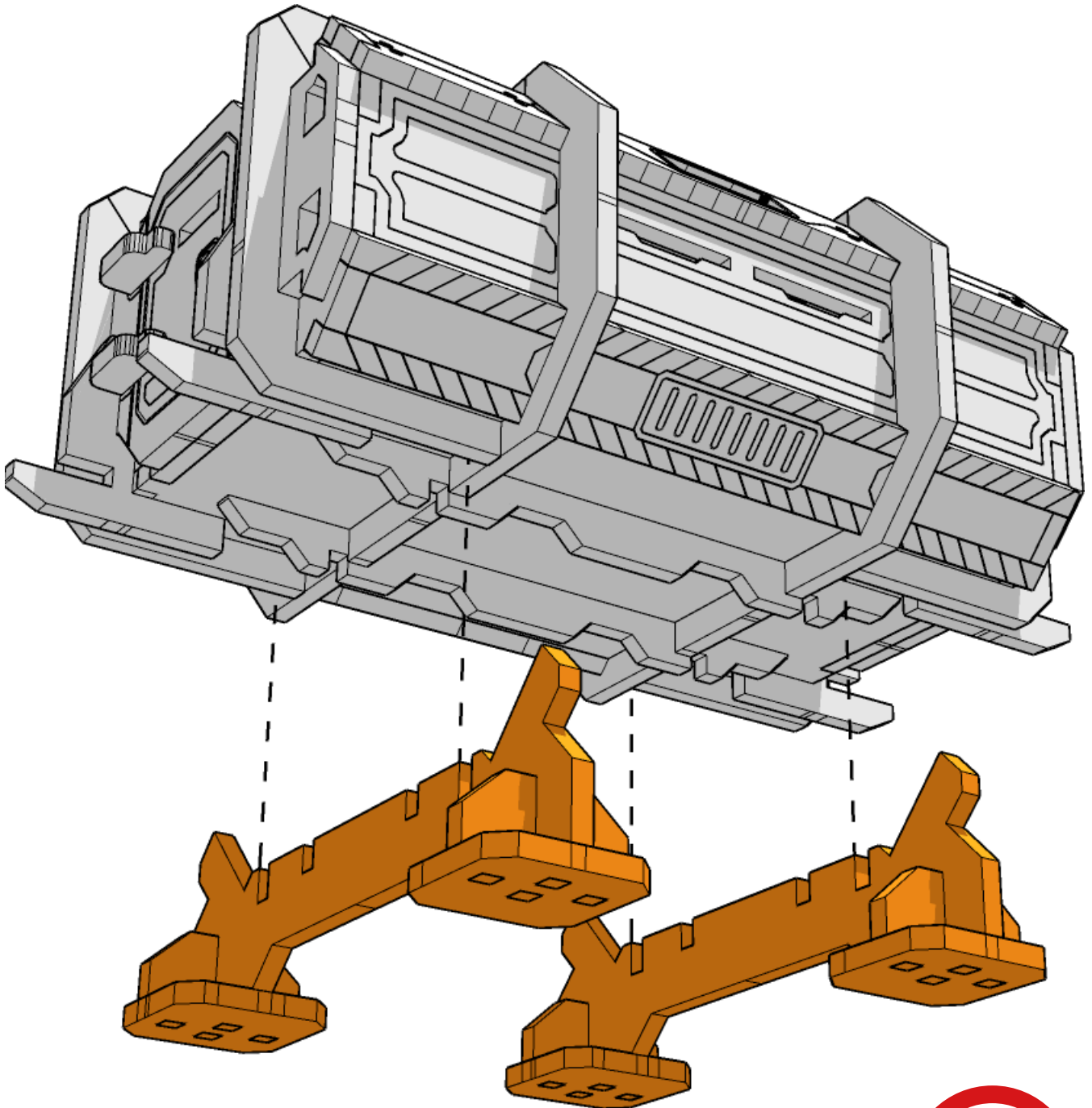
x2



TABLETOP SCENICS

TTSCW-SFU-144
P.U.P:
Portable Utility Pod

31



Recommended to NOT GLUE in place. This allows it to be modular with walkways and other P.U.P Kits



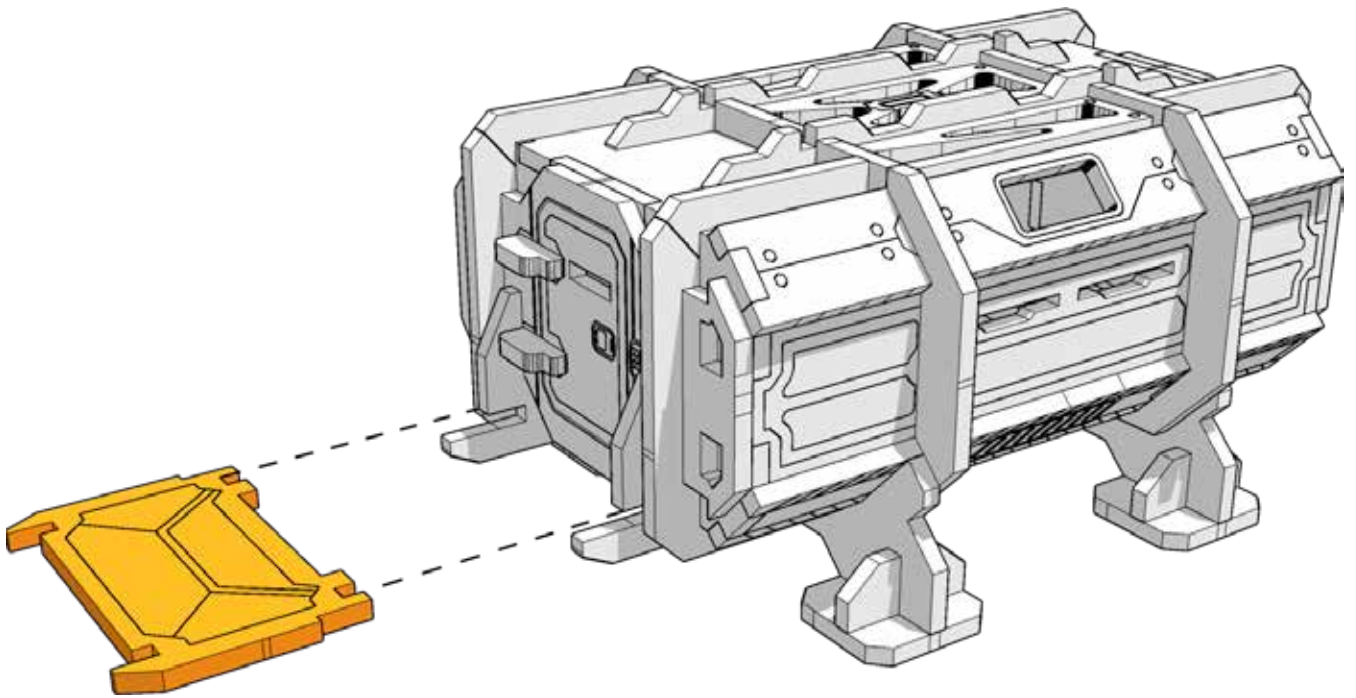
 **TTCOMBAT**



TABLETOP SCENICS

TTSCW-SFU-144
P.U.P:
Portable Utility Pod

32



Recommended to NOT GLUE in place. This allows it to be modular with walkways and other P.U.P Kits



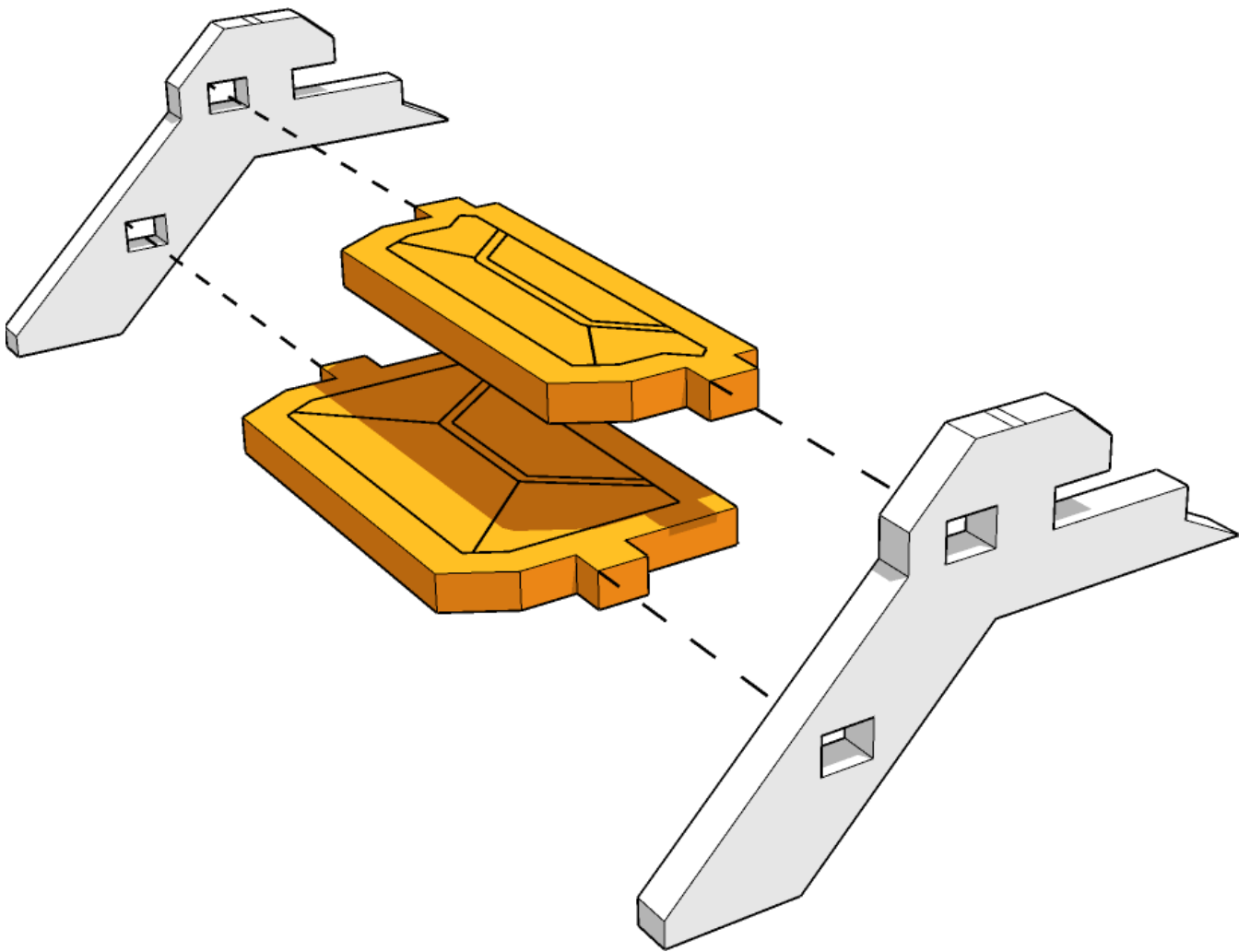
 **TTCOMBAT**



TABLETOP SCENICS

TTSCW-SFU-144
P.U.P:
Portable Utility Pod

33

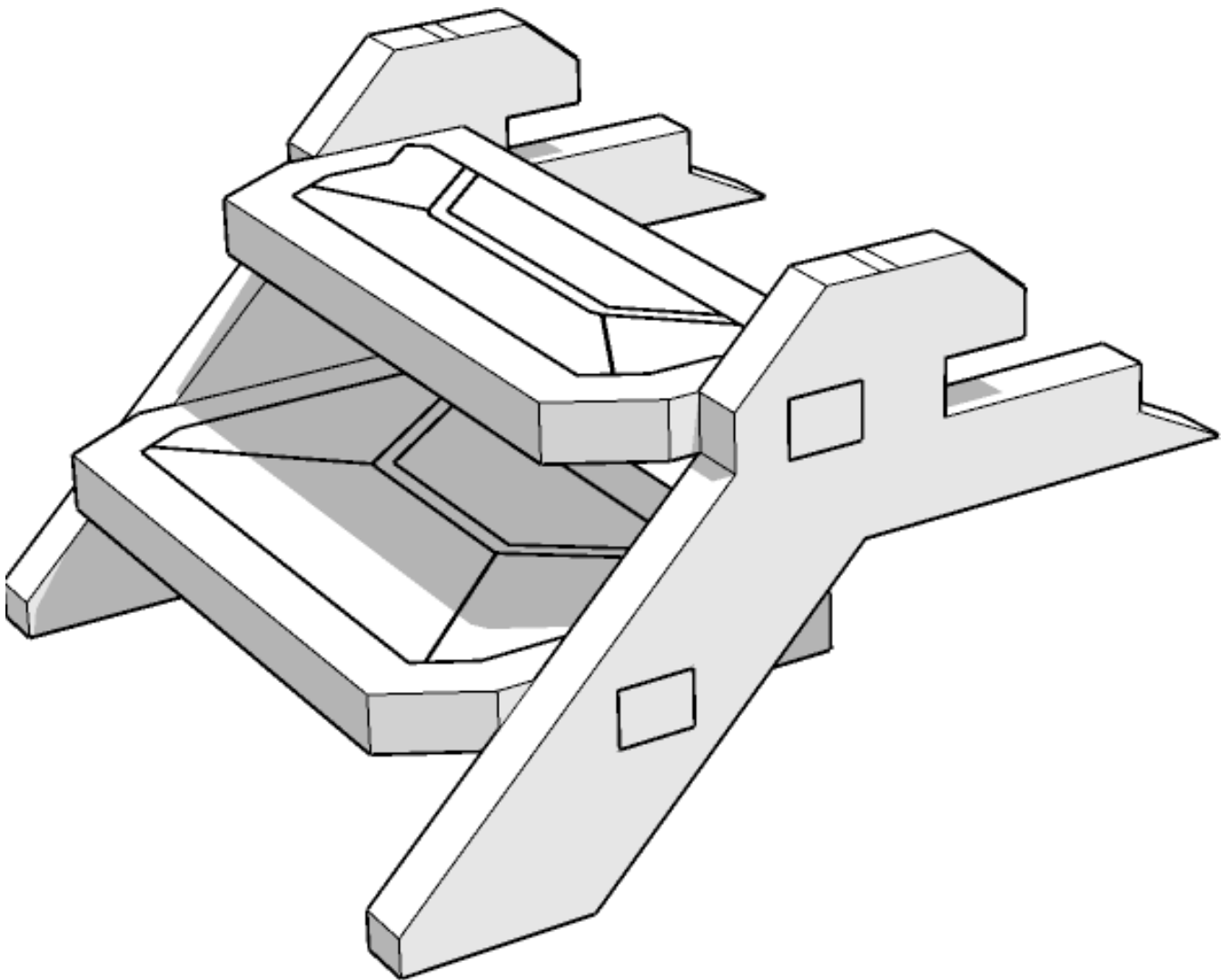




TABLETOP SCENICS

TTSCW-SFU-144
P.U.P:
Portable Utility Pod

34

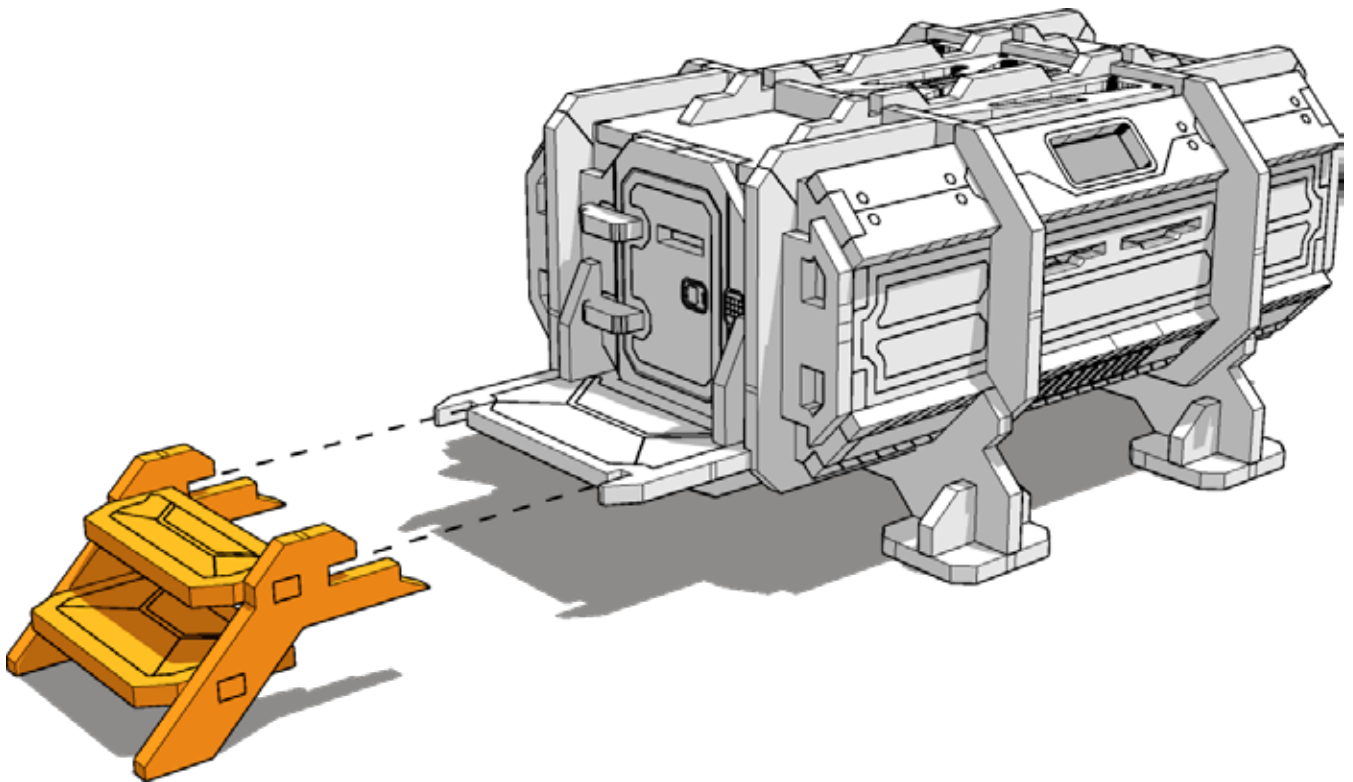




TABLETOP SCENICS

TTSCW-SFU-144
P.U.P:
Portable Utility Pod

35



Recommended to NOT GLUE in place. This allows it to be modular with walkways and other P.U.P Kits



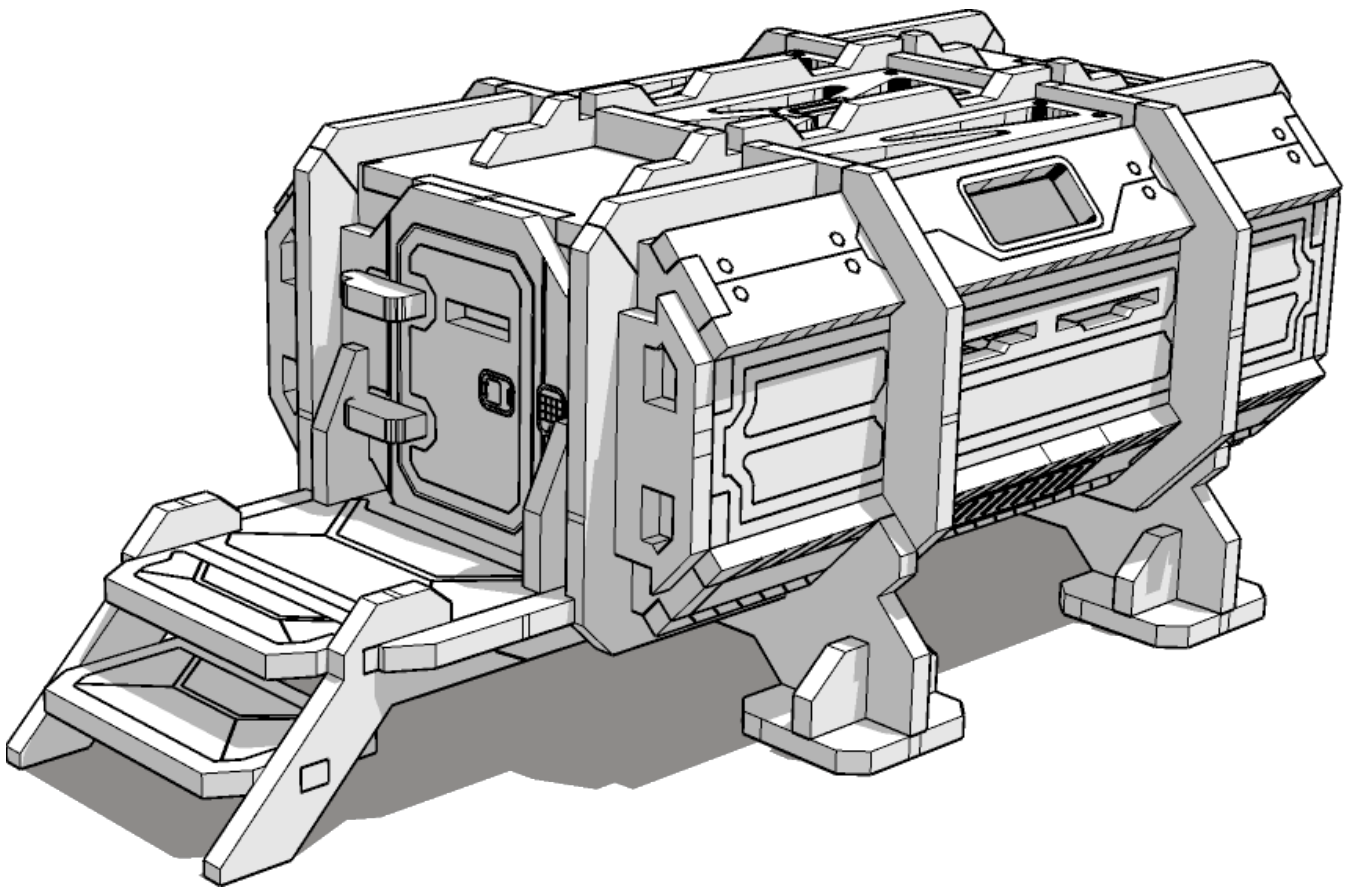
 **TTCOMBAT**



TABLETOP
SCENICS

TTSCW-SFU-144
P.U.P:
Portable Utility Pod

36



x2

 **TTCOMBAT**



TABLETOP SCENICS

37

TTSCW-SFU-144
P.U.P:
Portable Utility Pod

