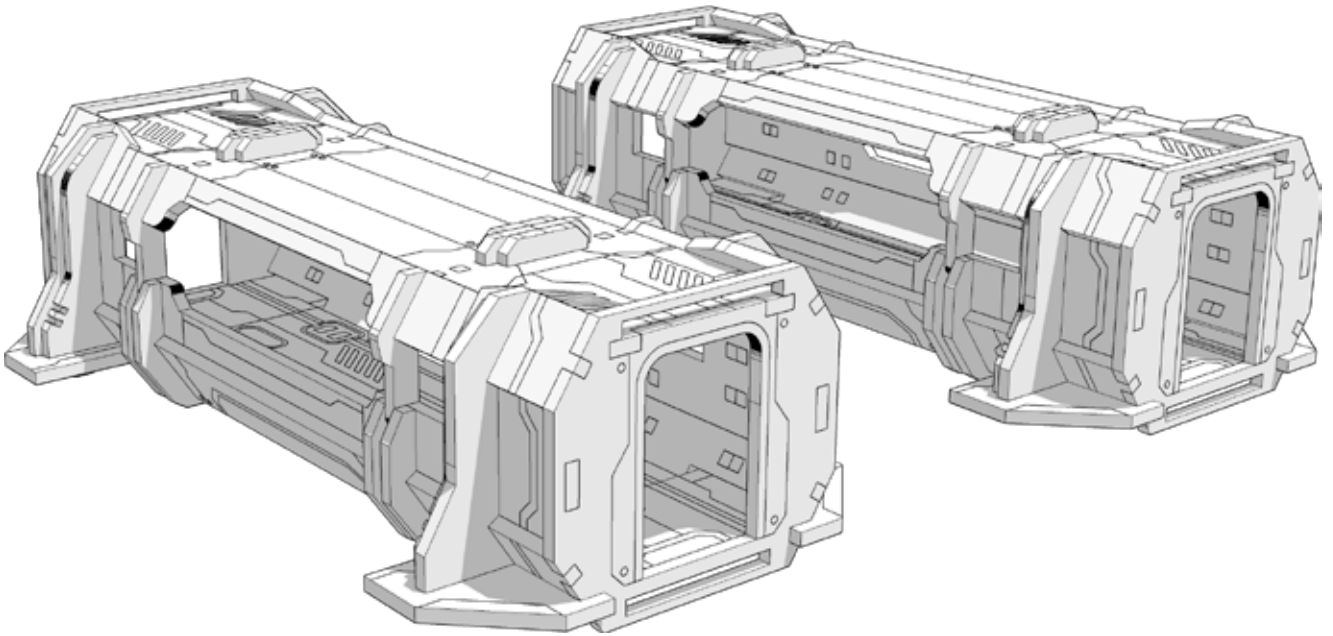




**TABLETOP  
SCENICS**

**TTSCW-SFU-142**  
**Mule:**  
**Tunnel**



 **TTCOMBAT**



# TABLETOP SCENICS

**TTSCW-SFU-142**  
**Mule:**  
**Tunnel**

**2**

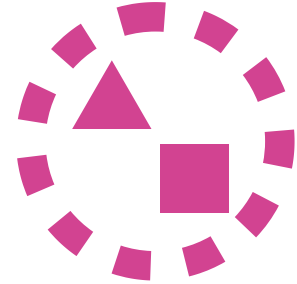
These are a series of icons that may be used throughout the instructions to help your assembly.  
If in doubt, scroll ahead to confirm.



Do not glue this part



Carefully score and  
fold this part



This part - or its placement is  
completely optional



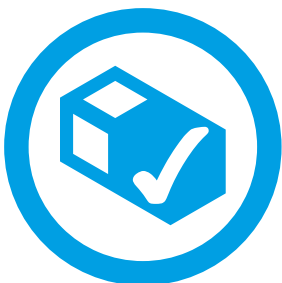
Look closely at this step -  
The process order or part  
used, may be specific



Repeat making this part  
the specified number  
of times



The next instruction step  
will be the same assembly  
so far, but from a different  
angle



Sub-assembly complete.  
This smaller construction  
is ready to add to the  
main kit



Assembly Complete! There  
could be more optional  
parts - check to the very end  
of instructions



FRAGILE: DO NOT BEND.  
“Bendy wood” is designed to  
curve around a designed  
frame only.

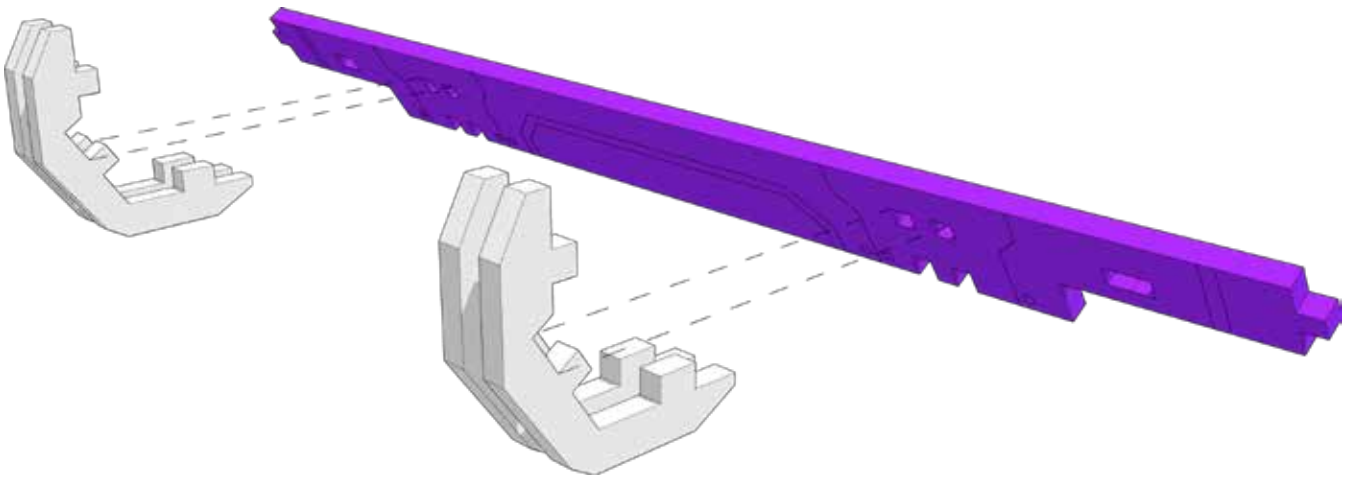


# TABLETOP SCENICS

TTSCW-SFU-142

Mule:  
Tunnel

3



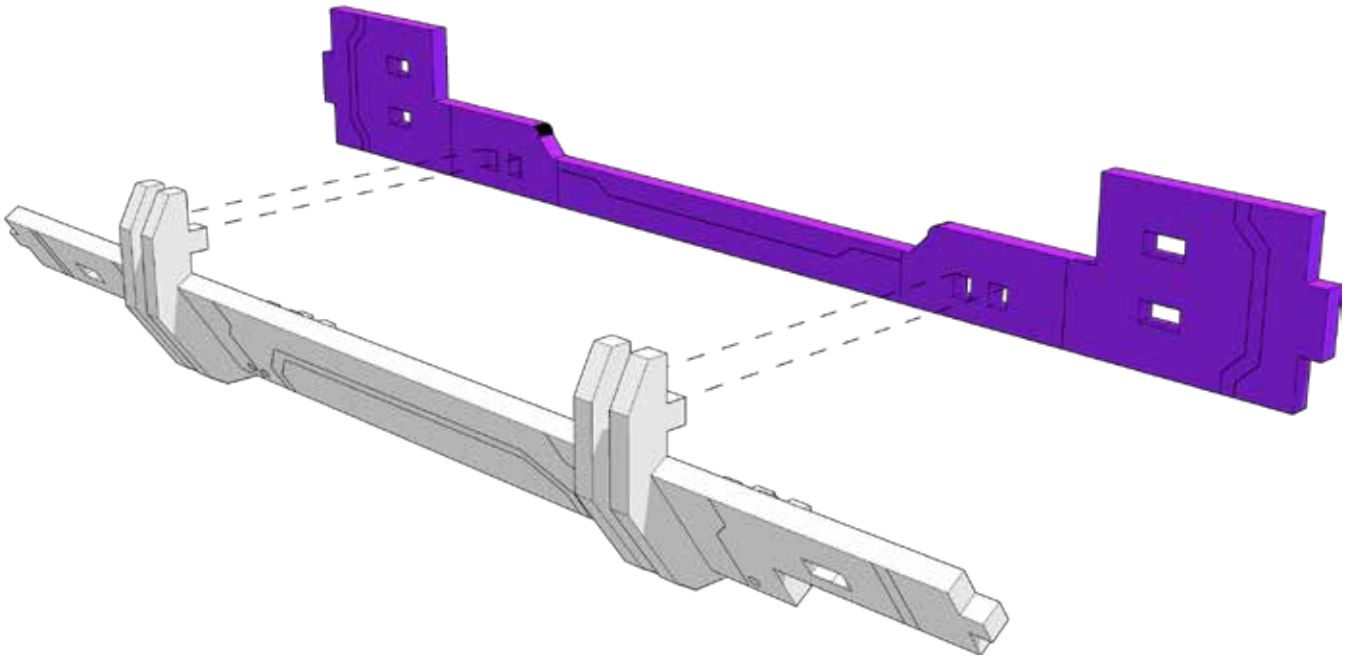


# TABLETOP SCENICS

TTSCW-SFU-142

Mule:  
Tunnel

4



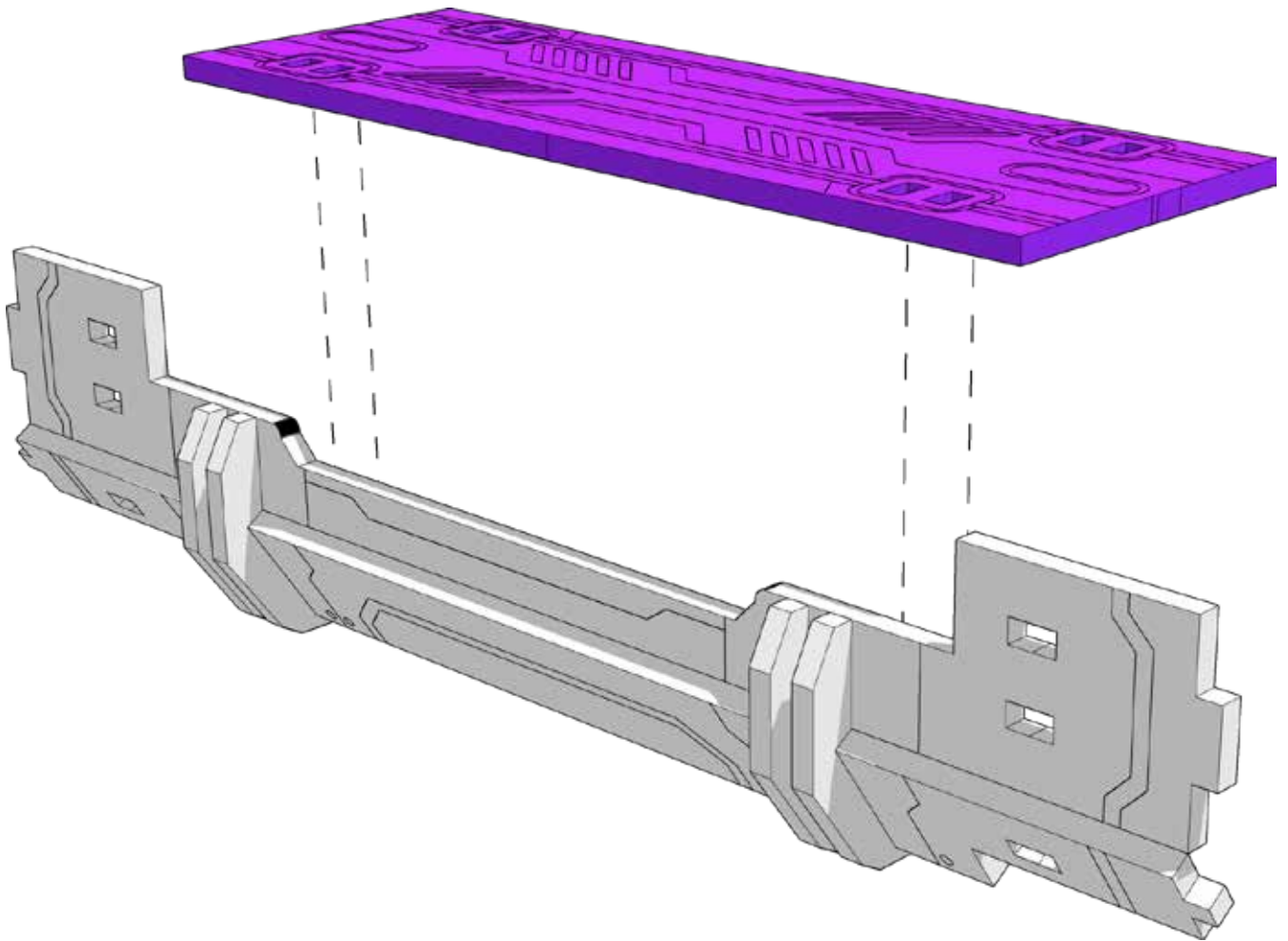


# TABLETOP SCENICS

TTSCW-SFU-142

Mule:  
Tunnel

5

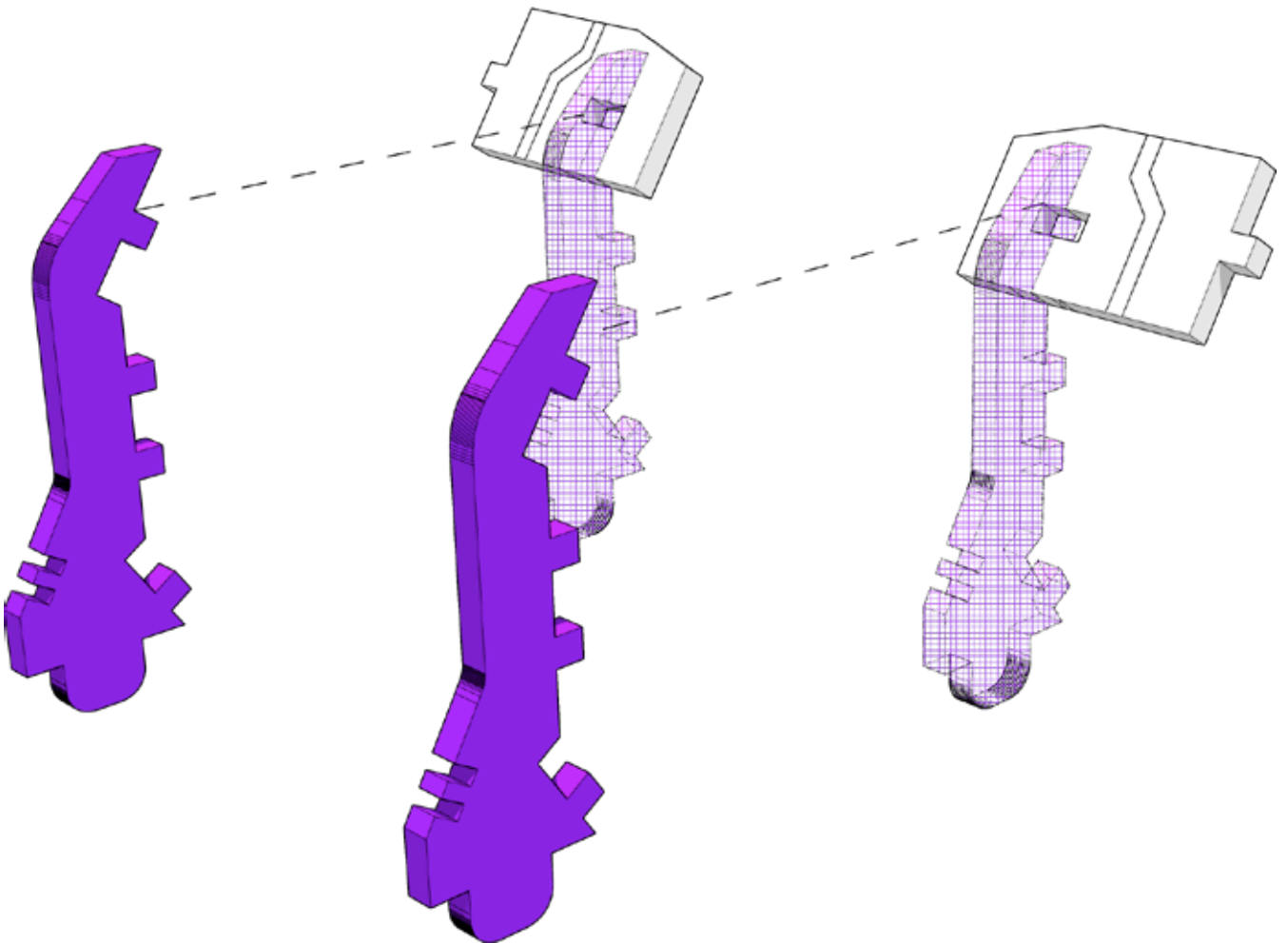




# TABLETOP SCENICS

**TTSCW-SFU-142**  
**Mule:**  
**Tunnel**

**6**



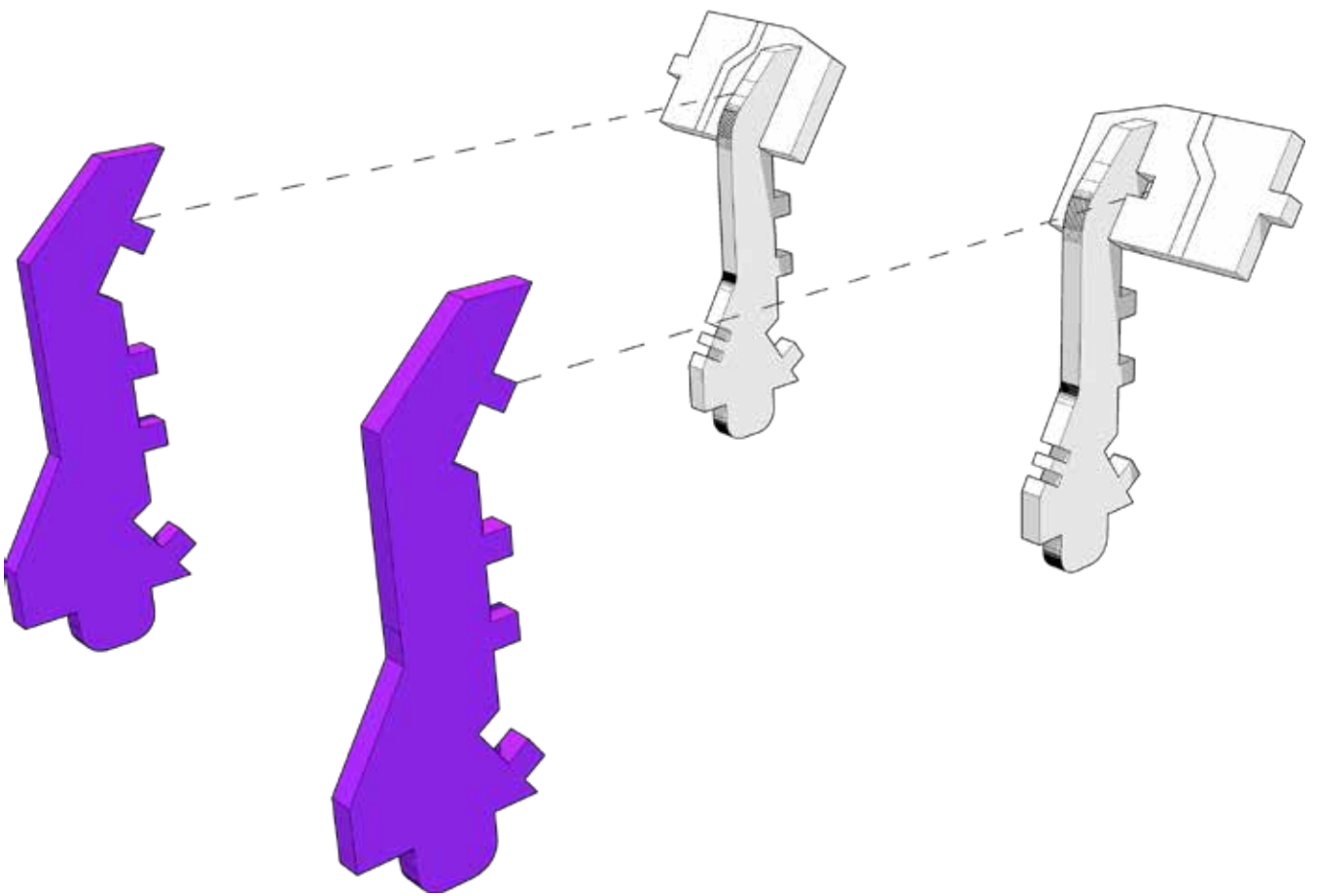
Highlighted parts sit to the inside. See  
next step



# TABLETOP SCENICS

**TTSCW-SFU-142**  
**Mule:**  
**Tunnel**

**7**



Highlighted parts sit on the outside  
of the previous part



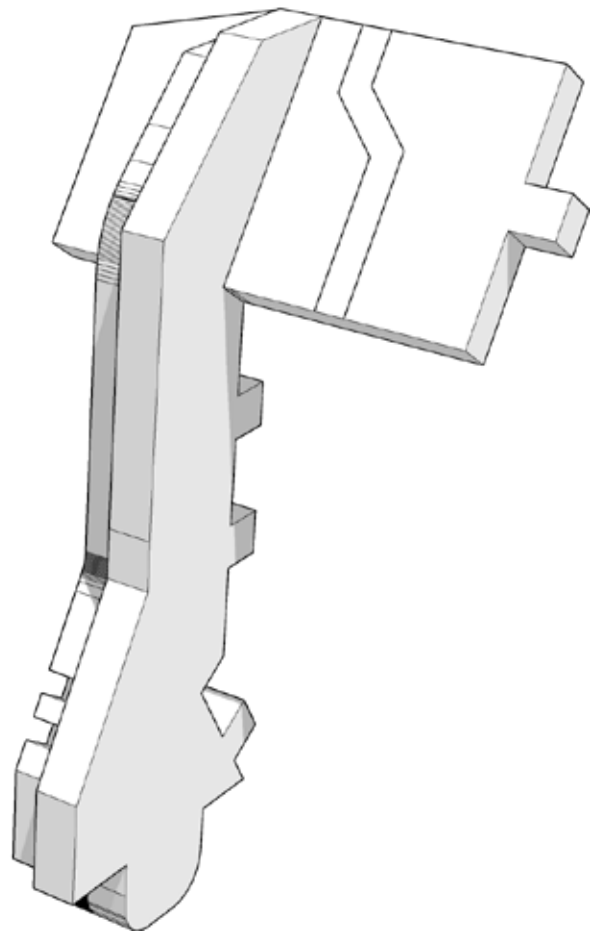
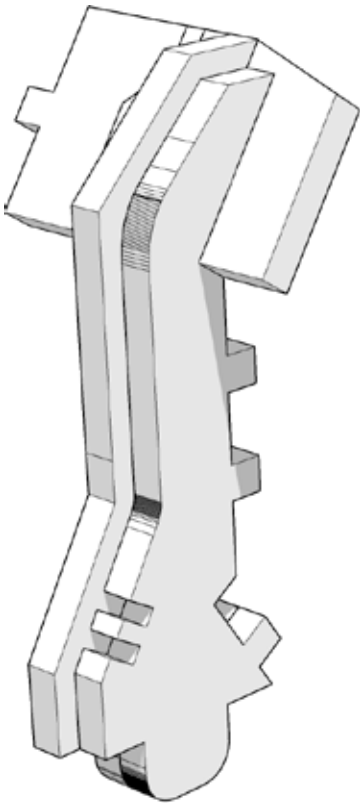


# TABLETOP SCENICS

TTSCW-SFU-142

Mule:  
Tunnel

8



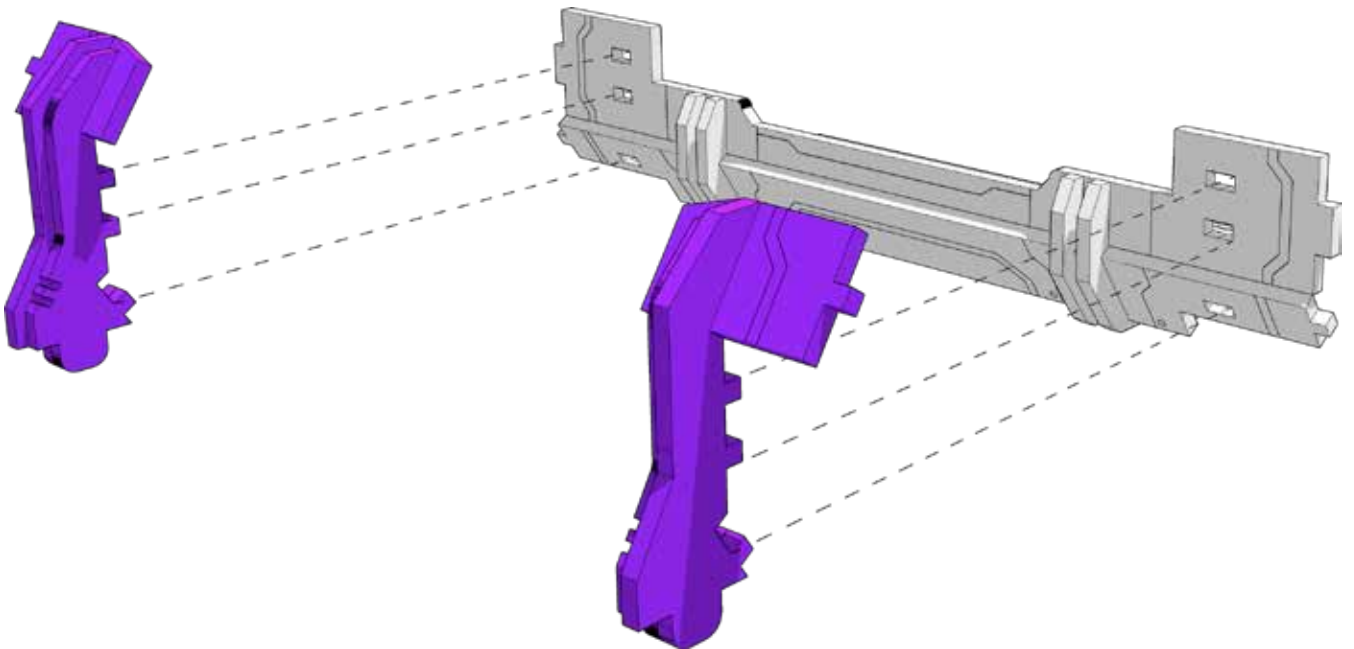




# TABLETOP SCENICS

**TTSCW-SFU-142**  
**Mule:**  
**Tunnel**

**9**



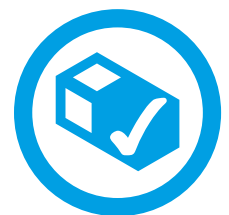
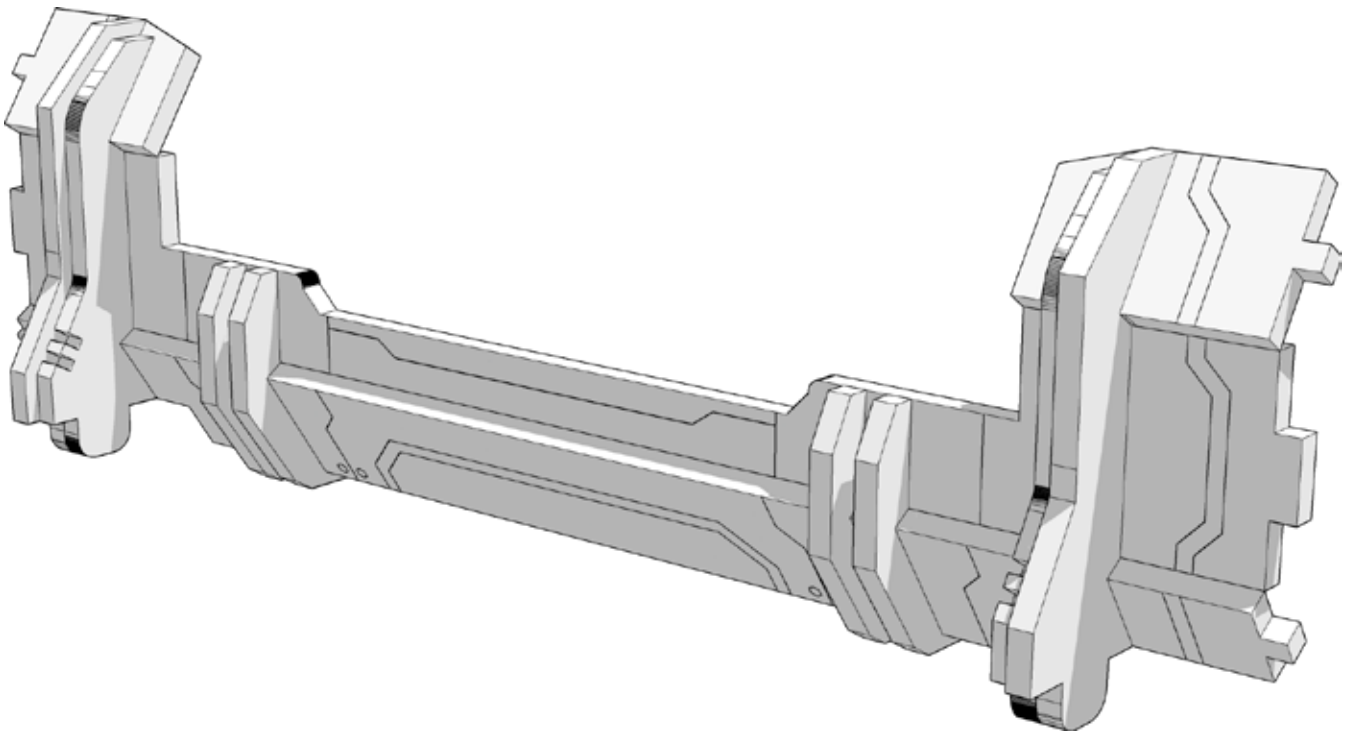


# TABLETOP SCENICS

10

TTSCW-SFU-142

Mule:  
Tunnel



 TTCOMBAT

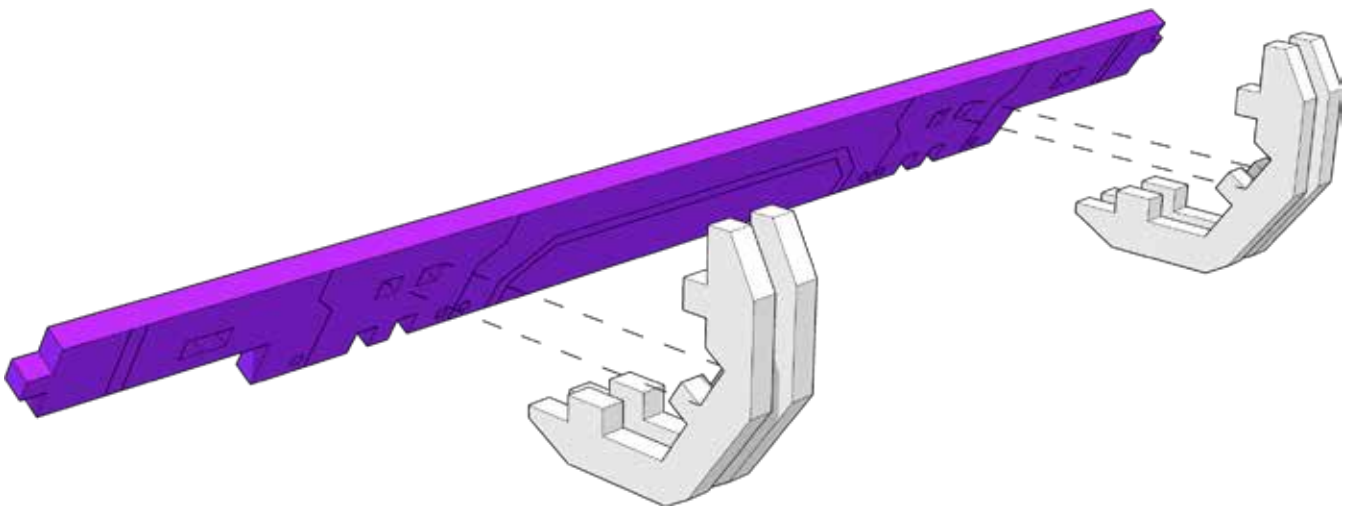


# TABLETOP SCENICS

TTSCW-SFU-142

Mule:  
Tunnel

11



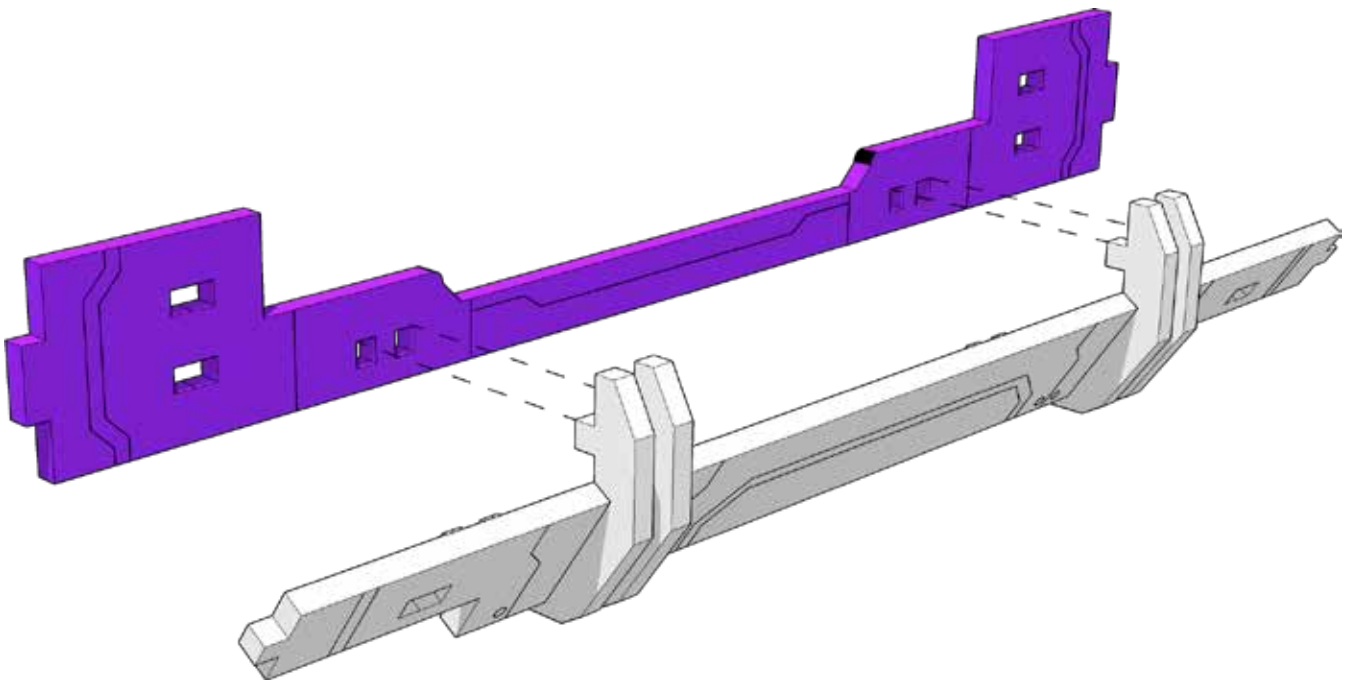


# TABLETOP SCENICS

TTSCW-SFU-142

Mule:  
Tunnel

12



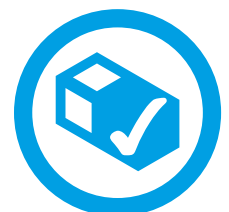
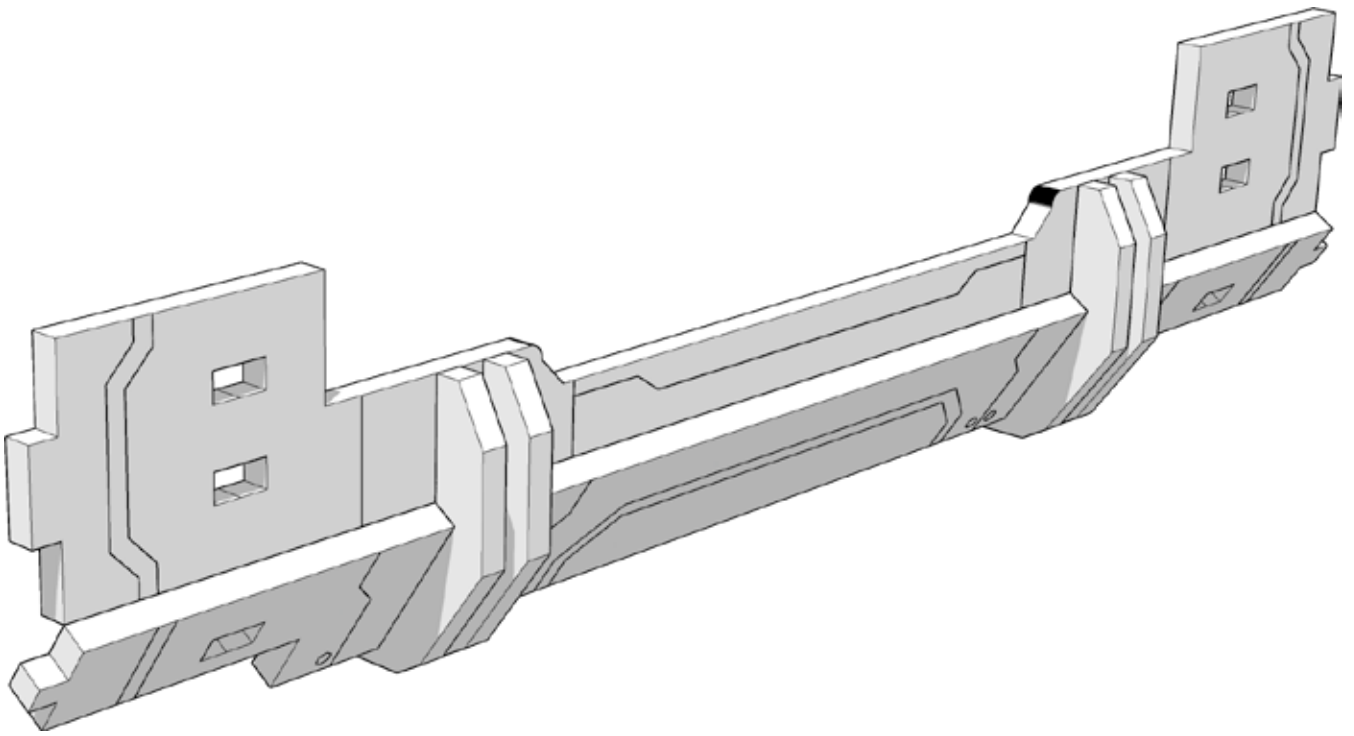


# TABLETOP SCENICS

TTSCW-SFU-142

Mule:  
Tunnel

13



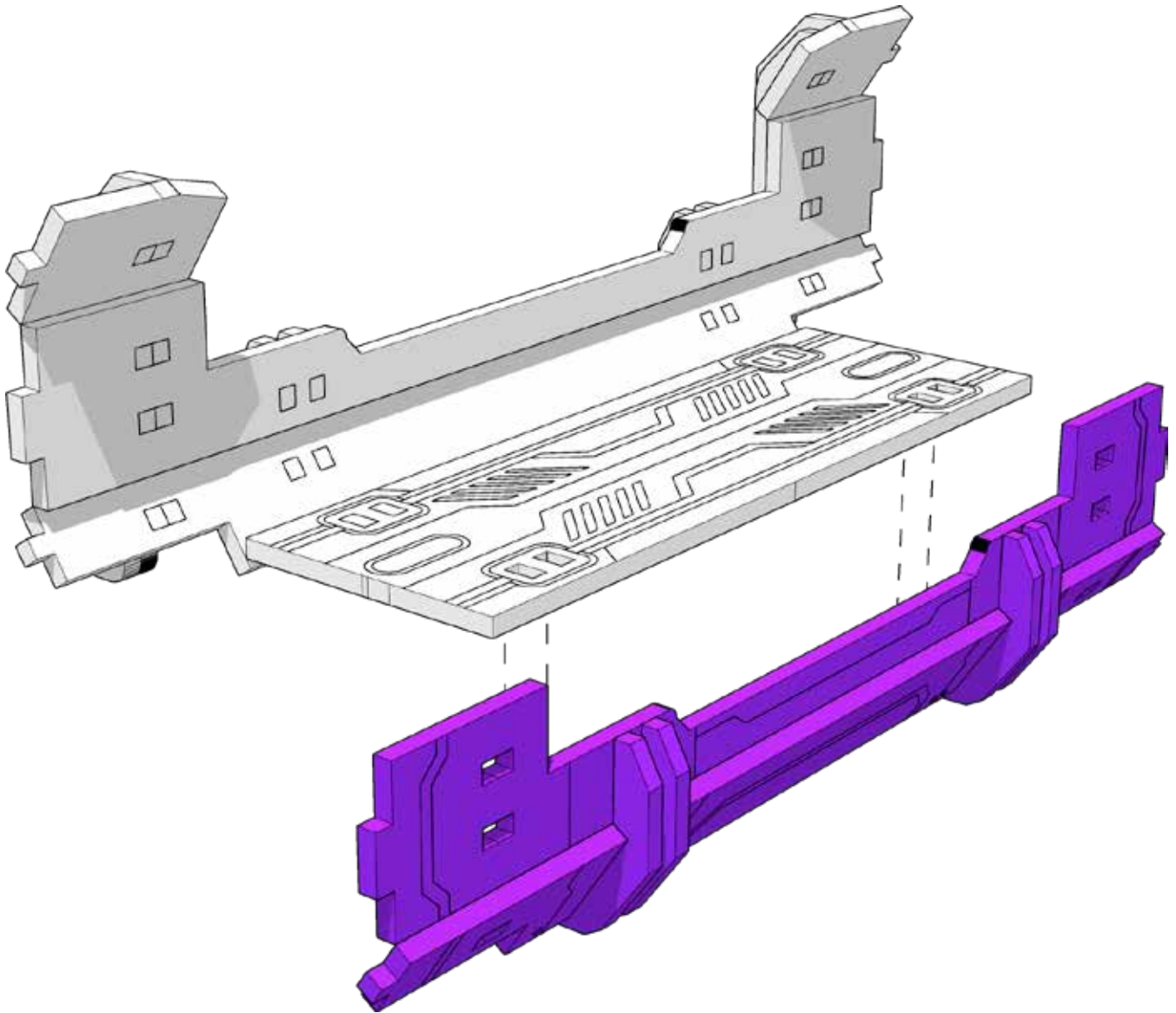


# TABLETOP SCENICS

TTSCW-SFU-142

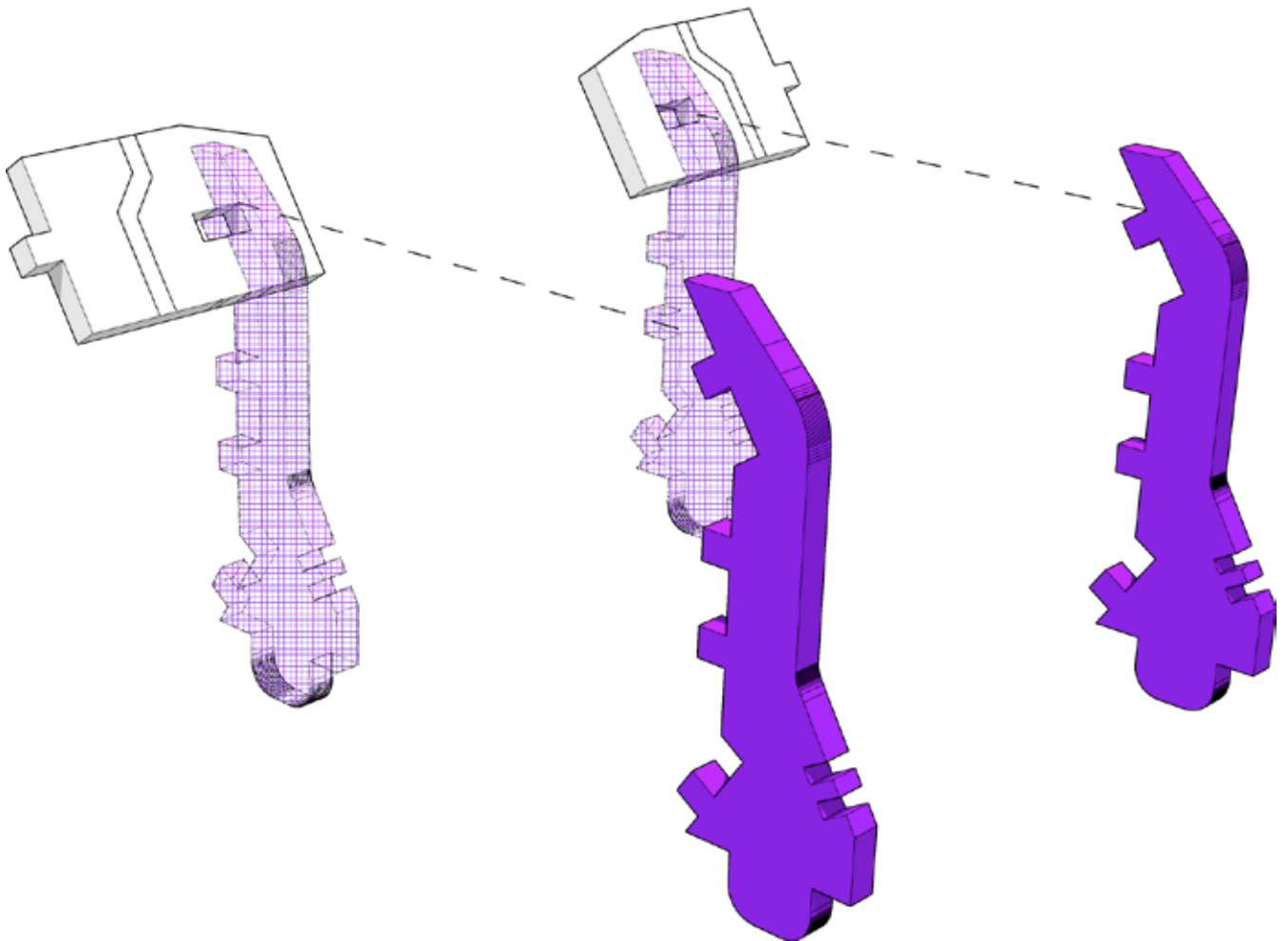
Mule:  
Tunnel

14





**15**



Highlighted parts sit to the inside. See next step

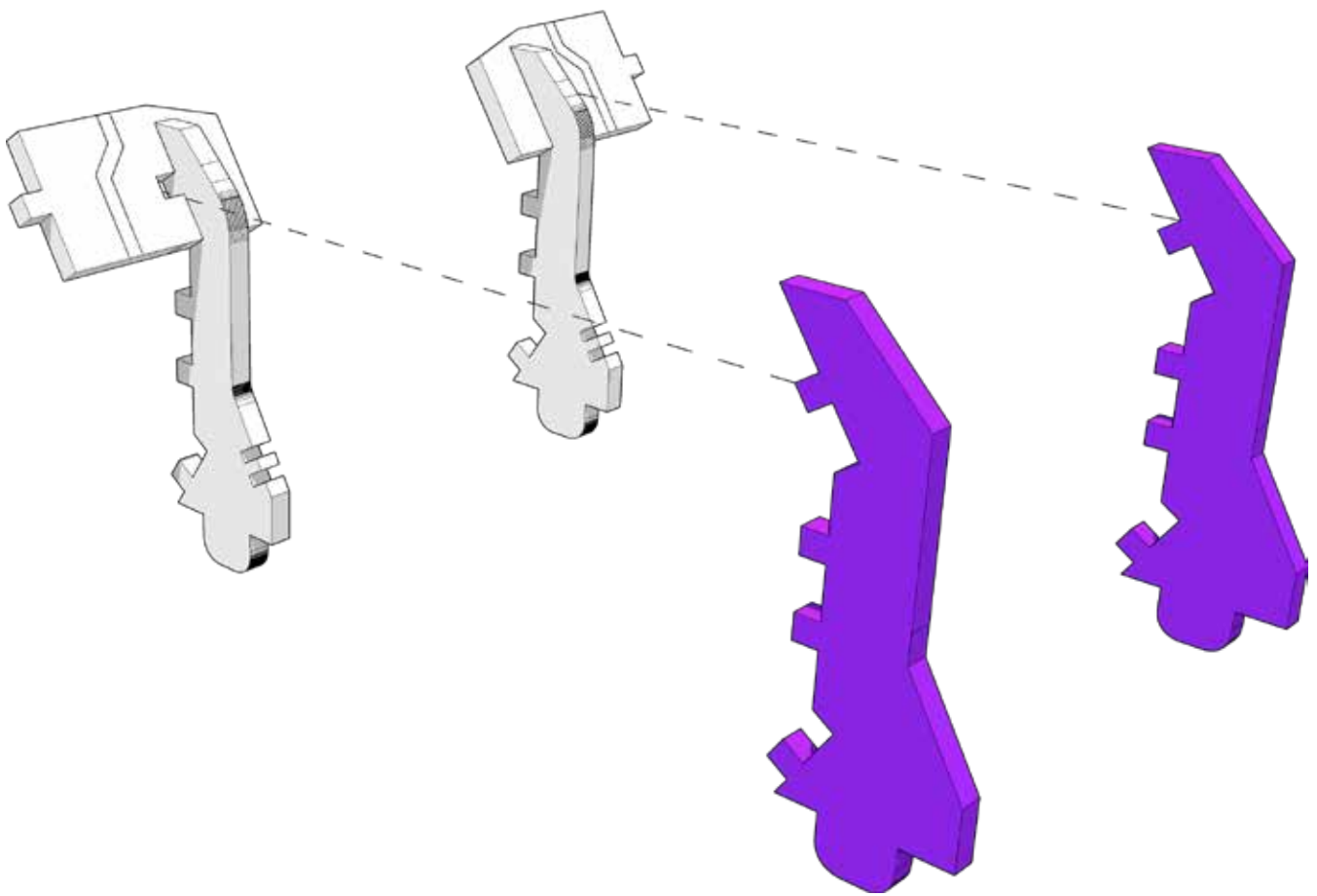


# TABLETOP SCENICS

TTSCW-SFU-142

Mule:  
Tunnel

16



Highlighted parts sit on the outside  
of the previous part

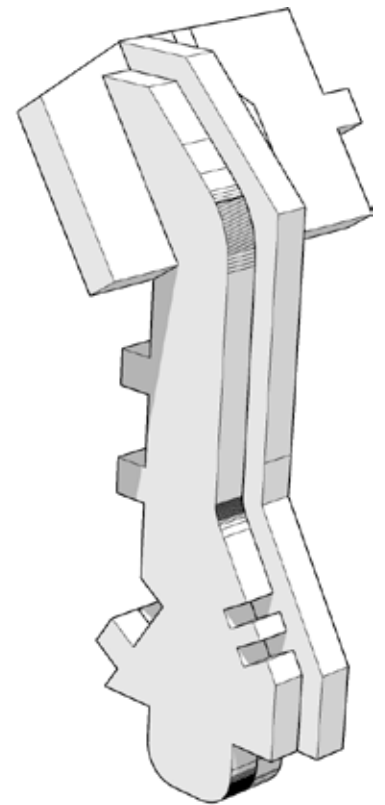
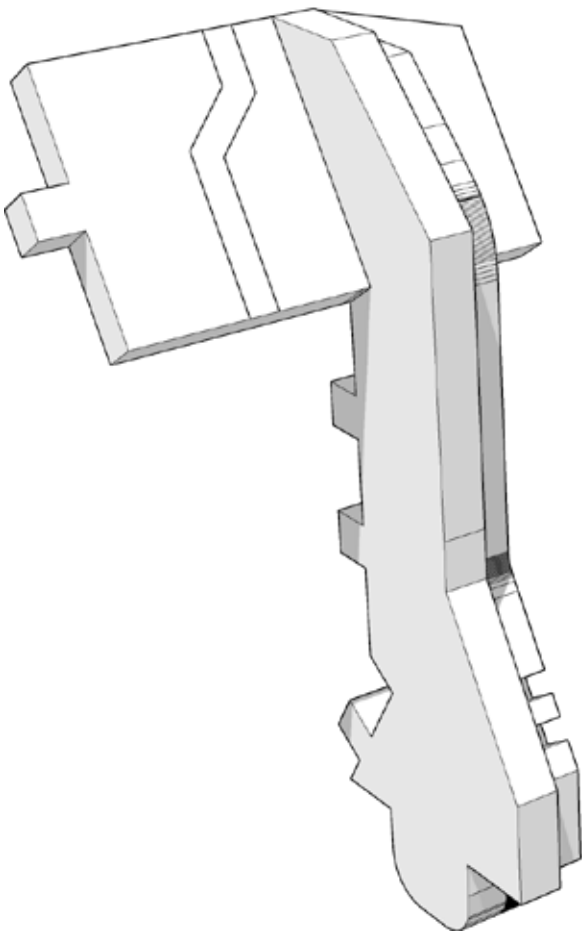




# TABLETOP SCENICS

17

TTSCW-SFU-142  
Mule:  
Tunnel

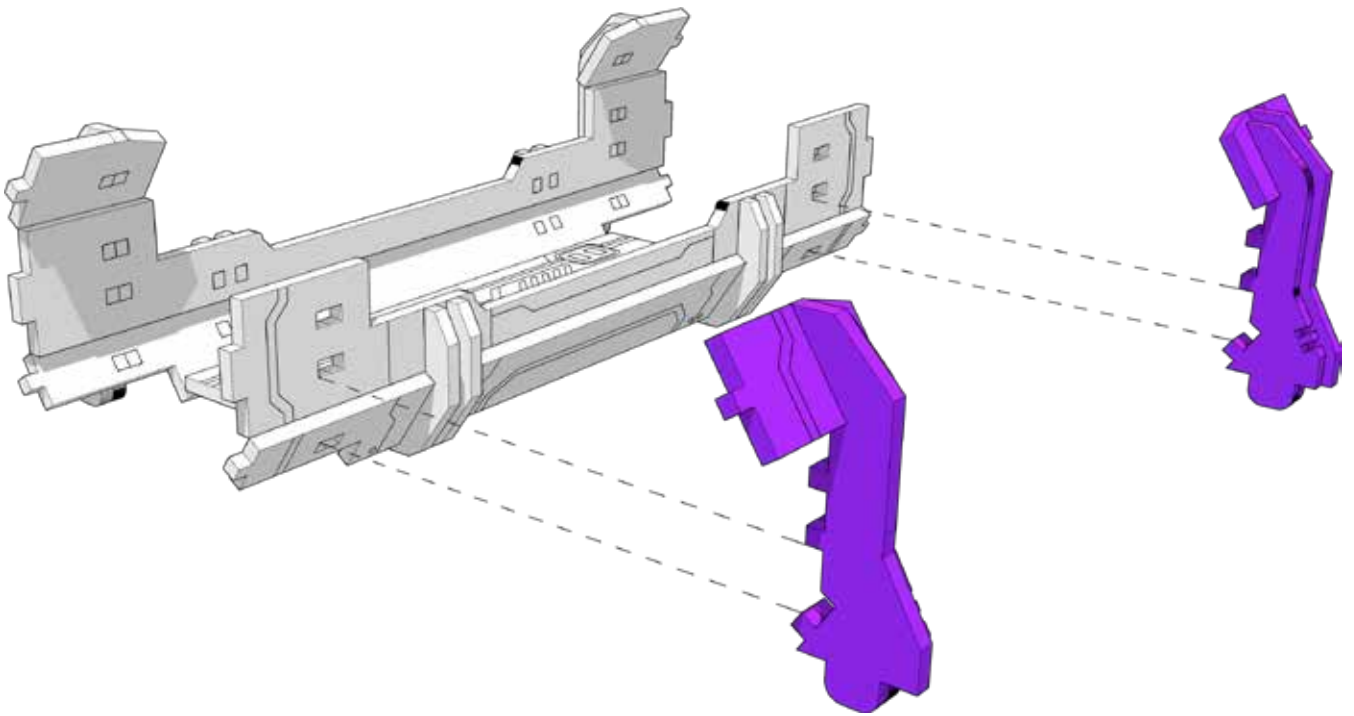




# TABLETOP SCENICS

**TTSCW-SFU-142**  
**Mule:**  
**Tunnel**

**18**



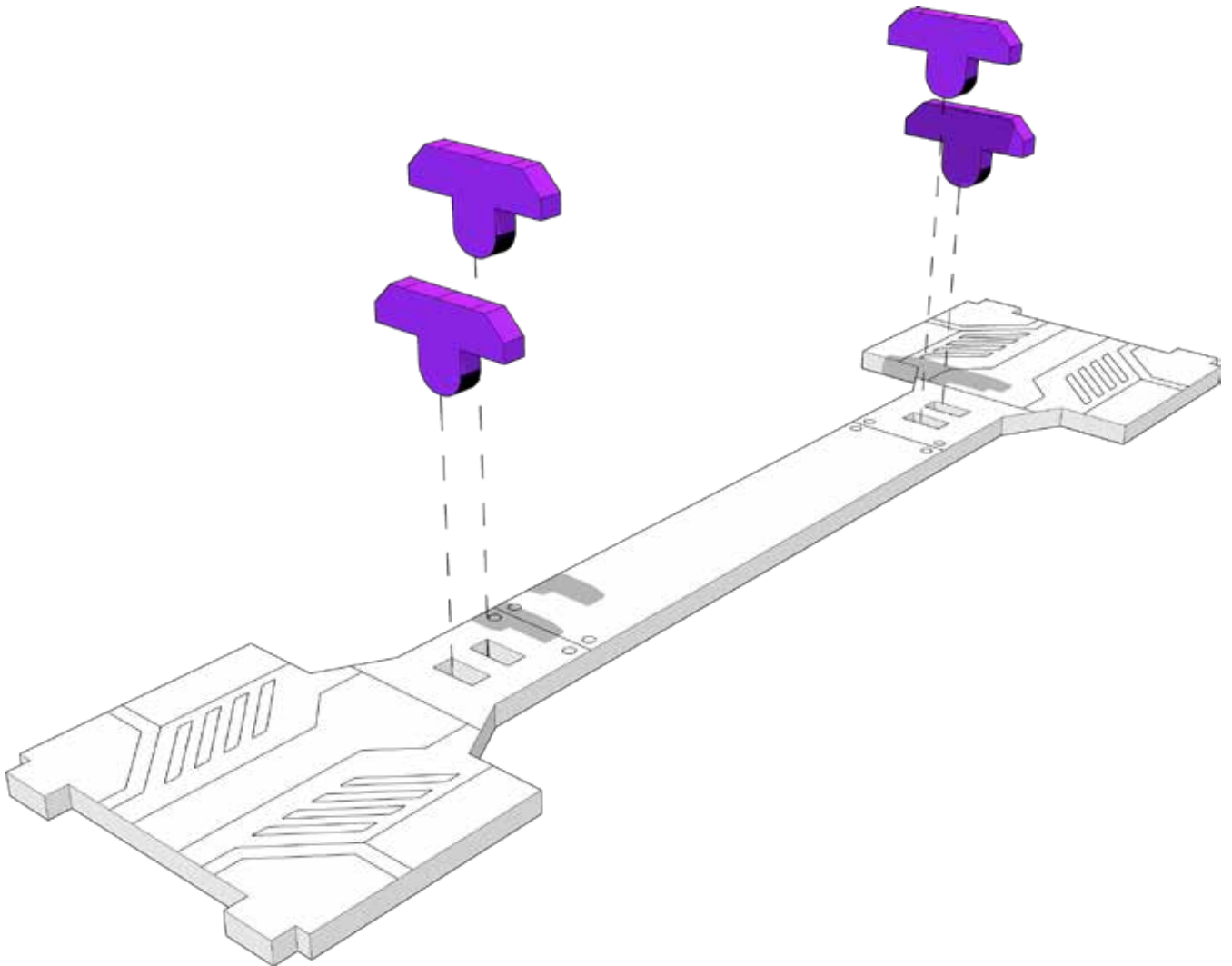


# TABLETOP SCENICS

TTSCW-SFU-142

Mule:  
Tunnel

19



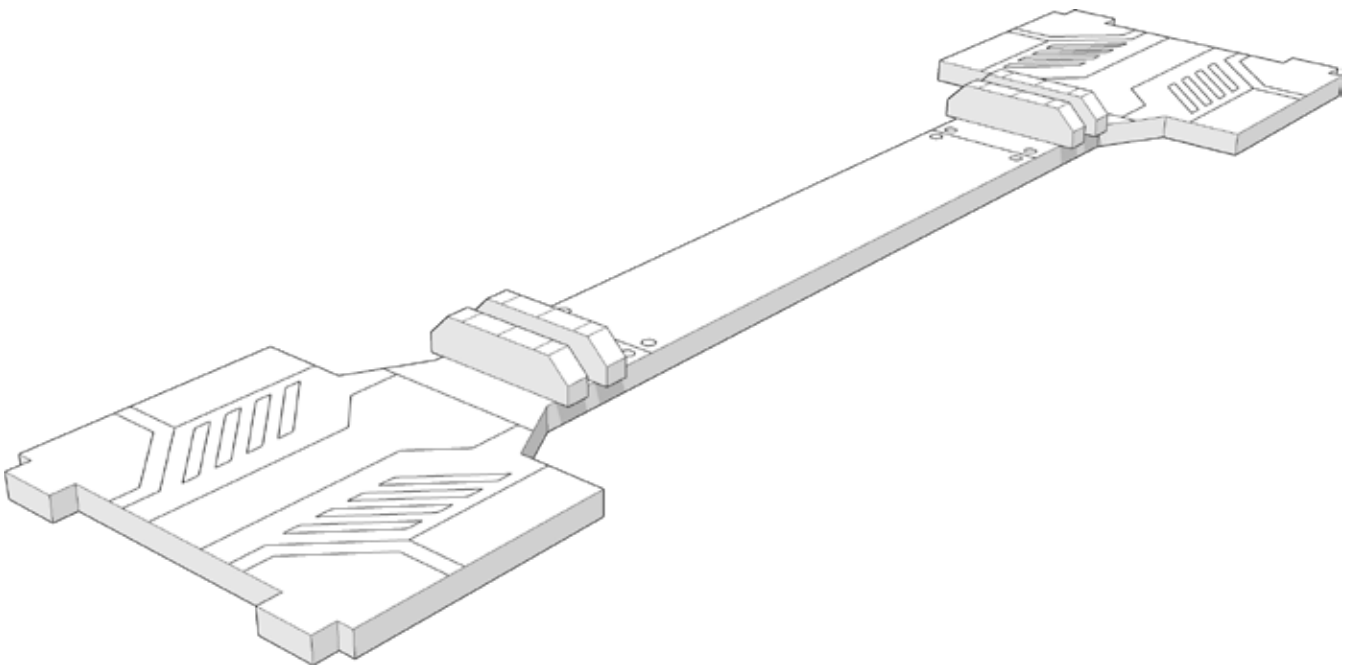


# TABLETOP SCENICS

**TTSCW-SFU-142**

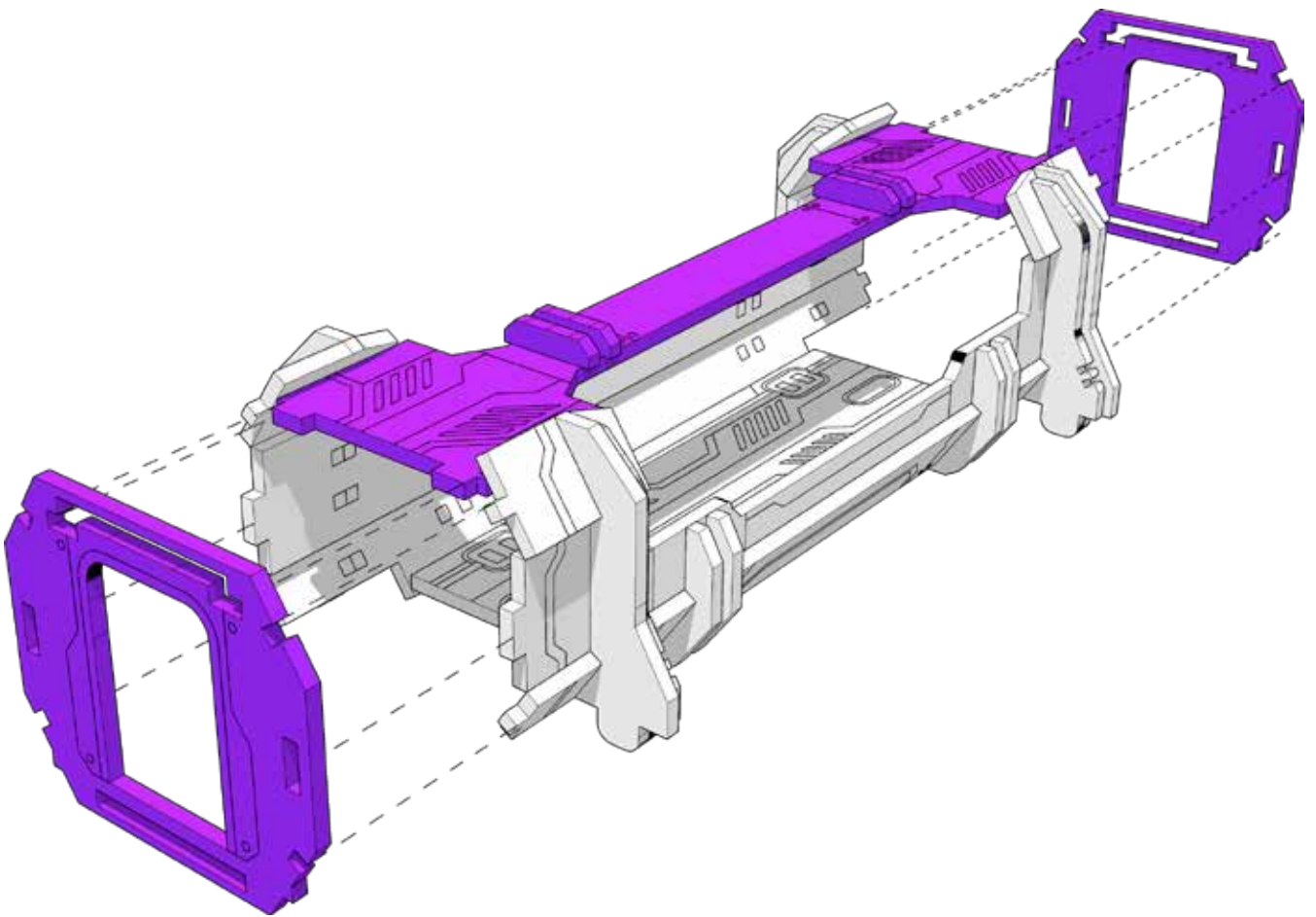
**Mule:  
Tunnel**

**20**





**21**



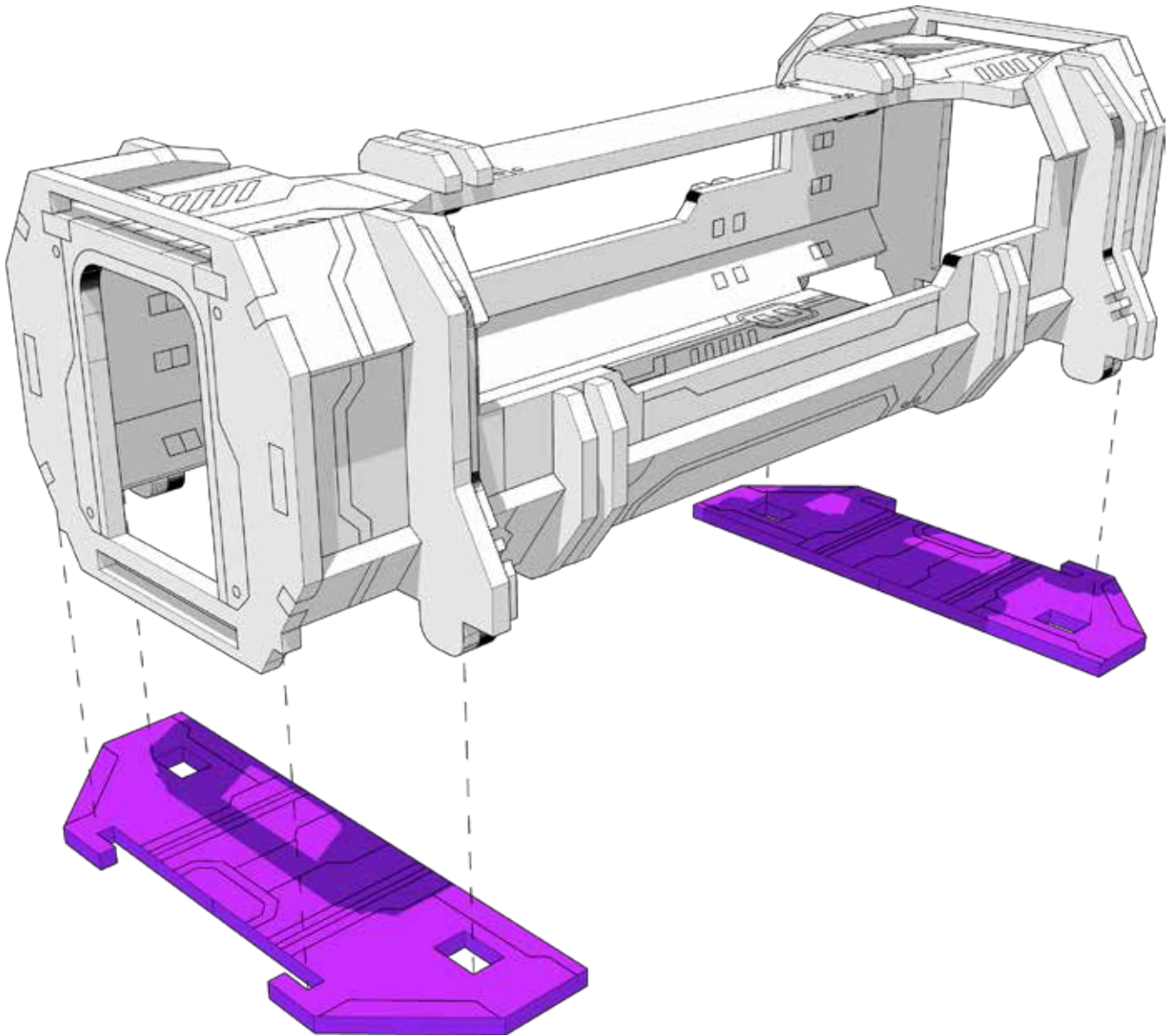


# TABLETOP SCENICS

TTSCW-SFU-142

Mule:  
Tunnel

22



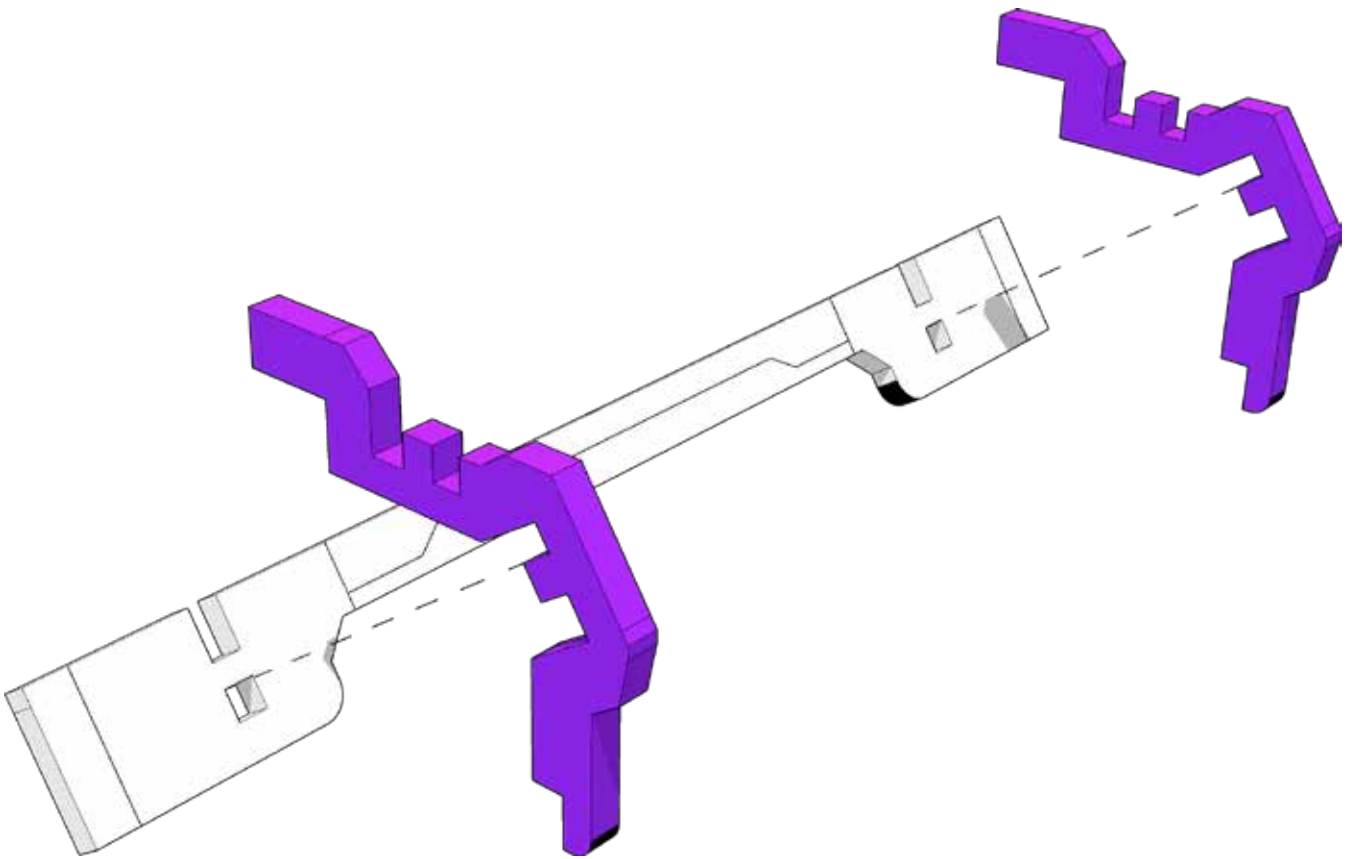


# TABLETOP SCENICS

TTSCW-SFU-142

Mule:  
Tunnel

23



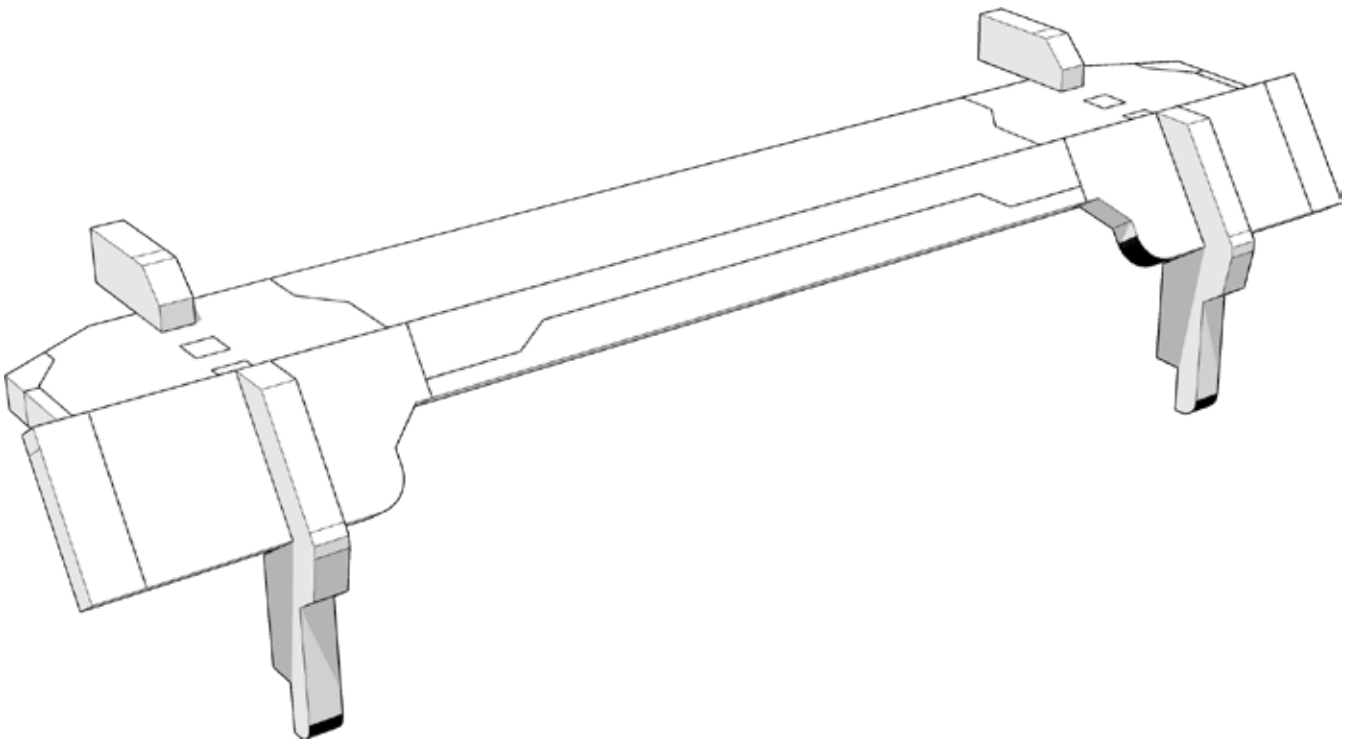


# TABLETOP SCENICS

TTSCW-SFU-142

Mule:  
Tunnel

24



x2



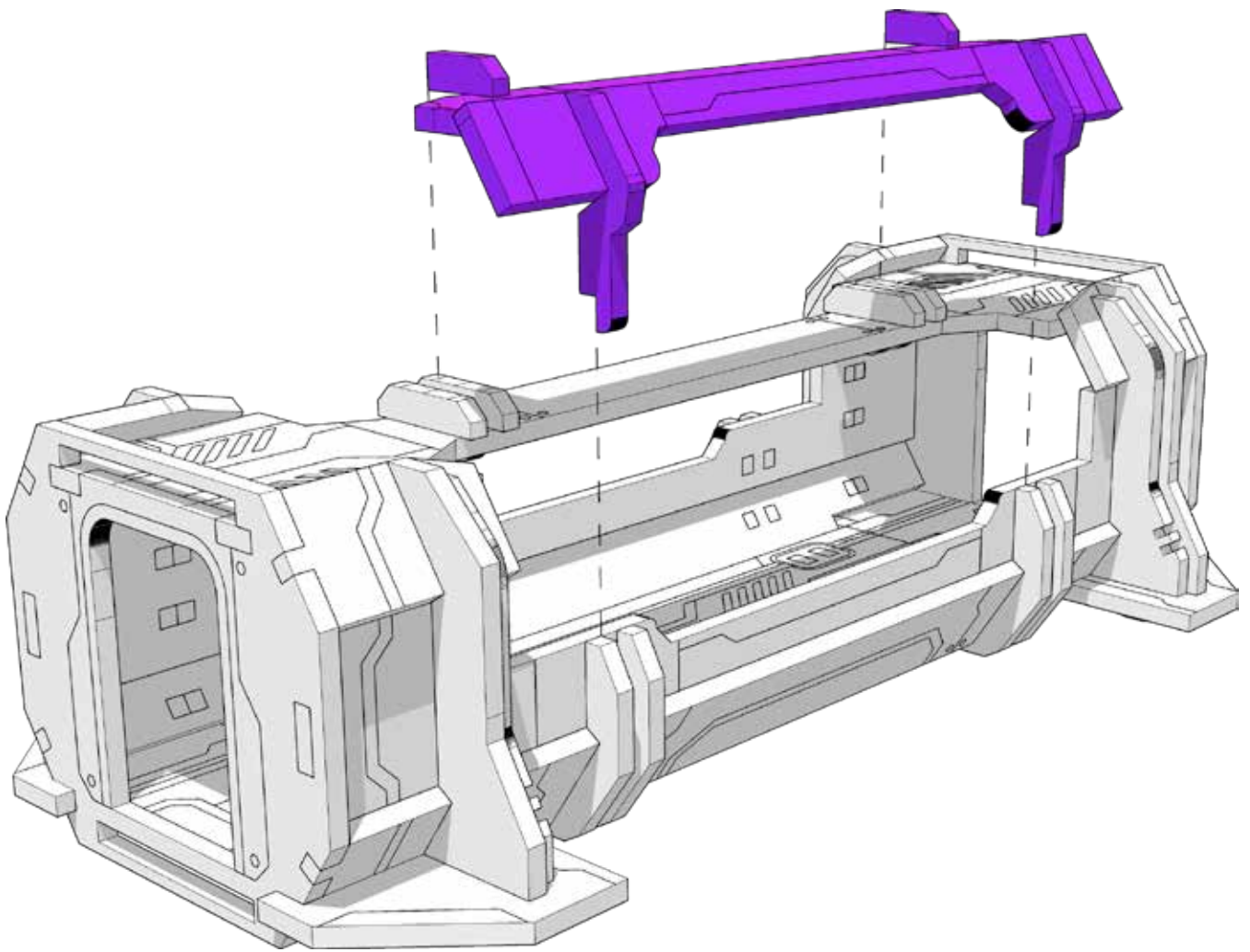


# TABLETOP SCENICS

TTSCW-SFU-142

Mule:  
Tunnel

25



See end of instructions for alternative layout



 **TTCOMBAT**

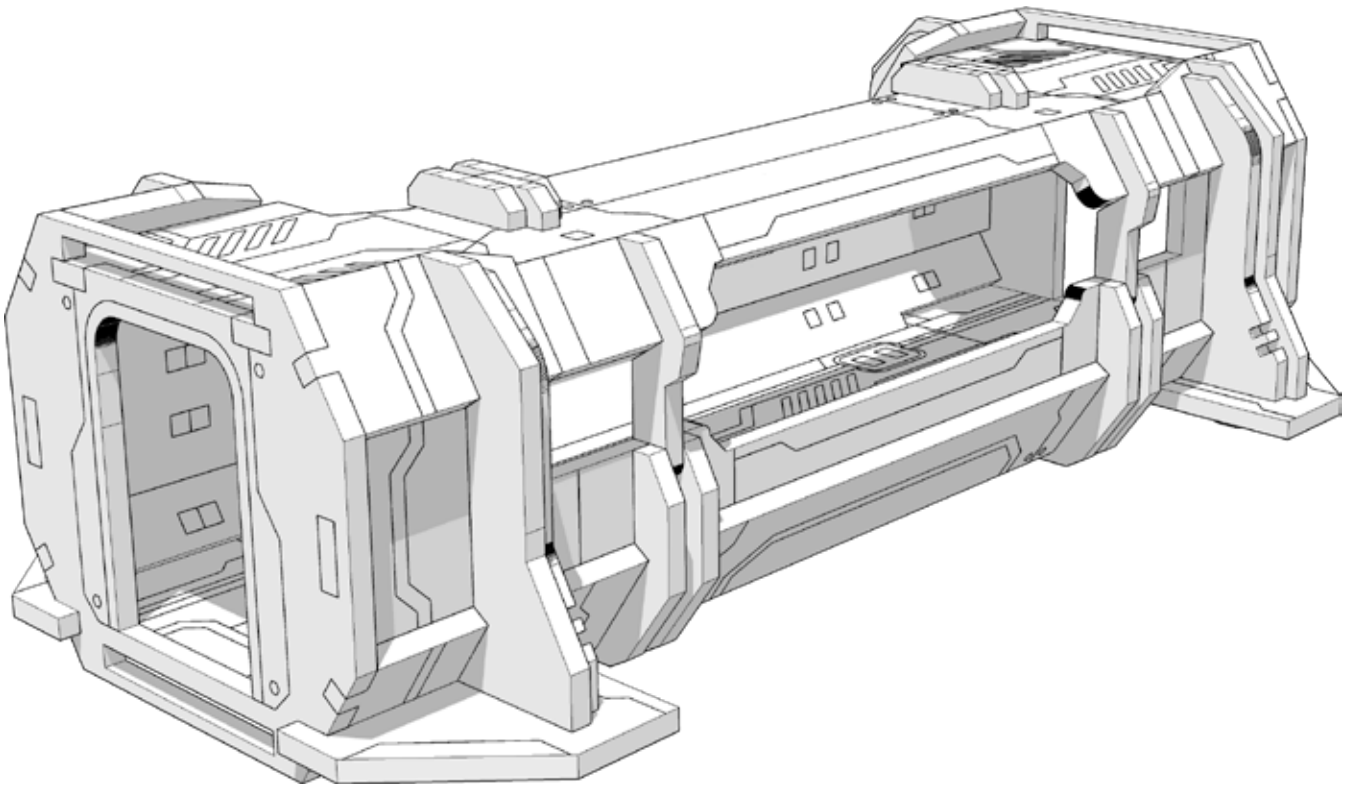


# TABLETOP SCENICS

**TTSCW-SFU-142**

**Mule:  
Tunnel**

**26**



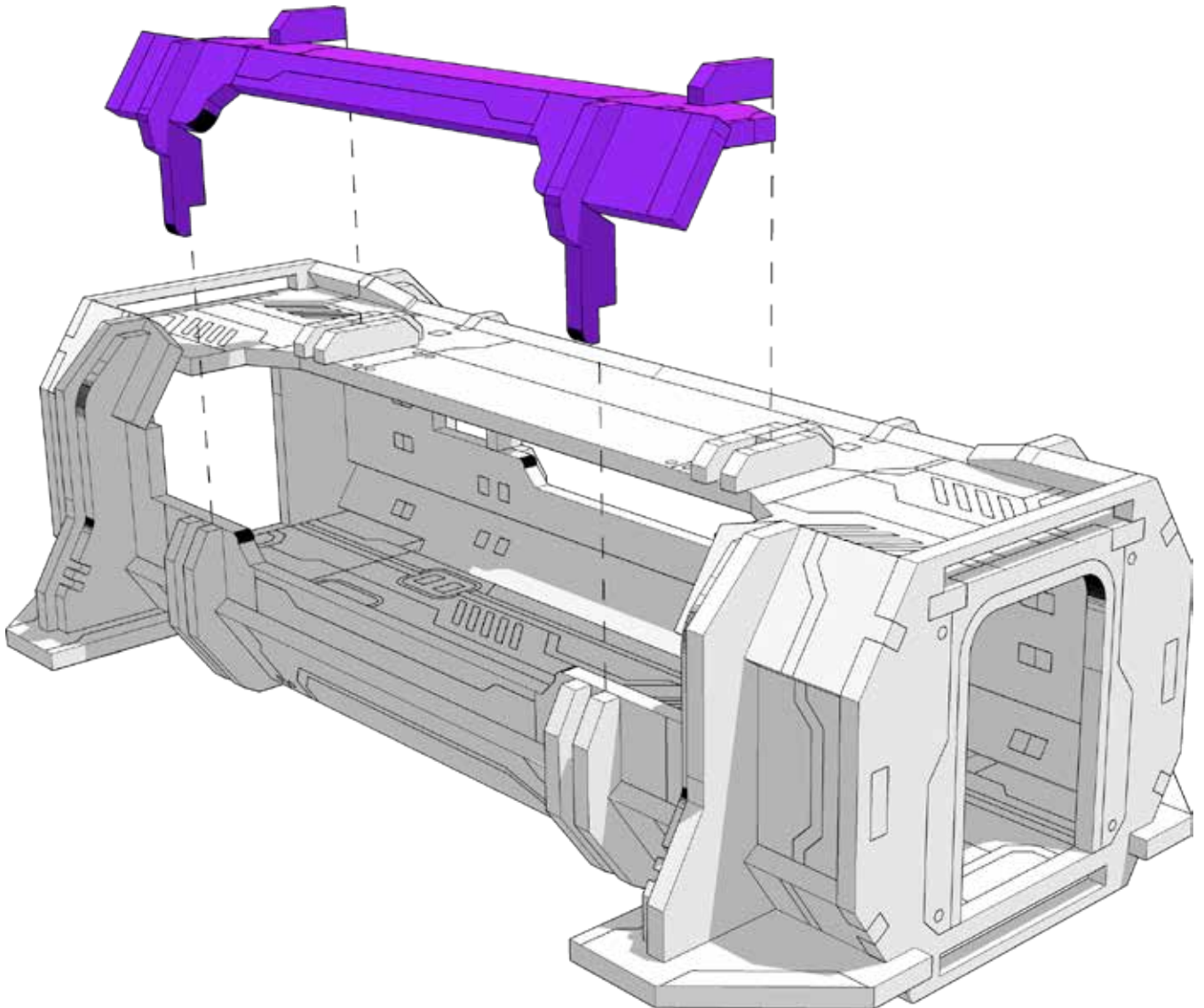


# TABLETOP SCENICS

TTSCW-SFU-142

Mule:  
Tunnel

27



See next step for alternative layout

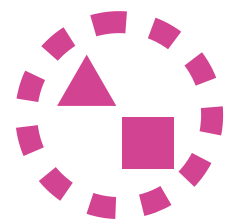
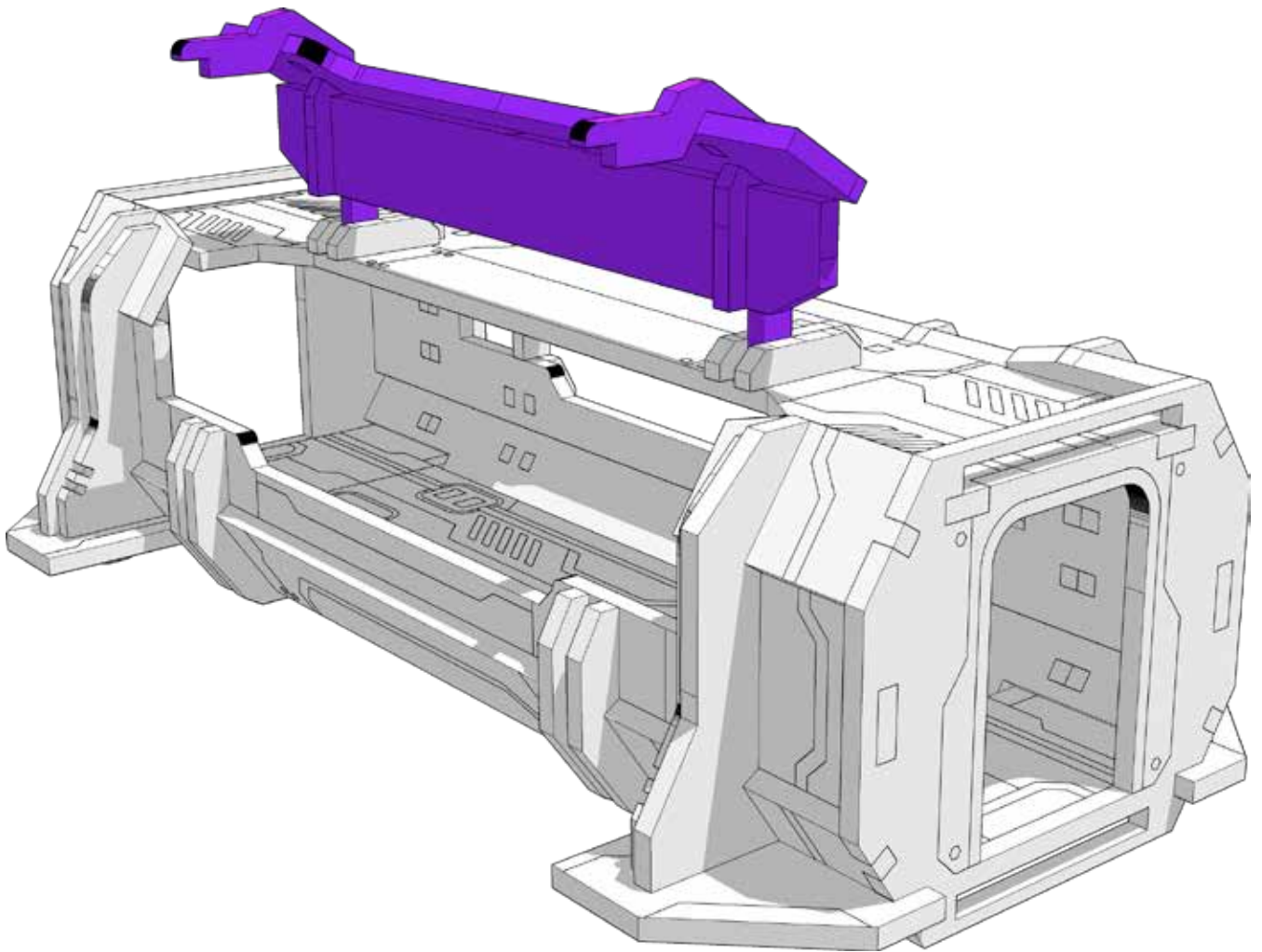


# TABLETOP SCENICS

**TTSCW-SFU-142**

**Mule:  
Tunnel**

**28**



 **TTCOMBAT**

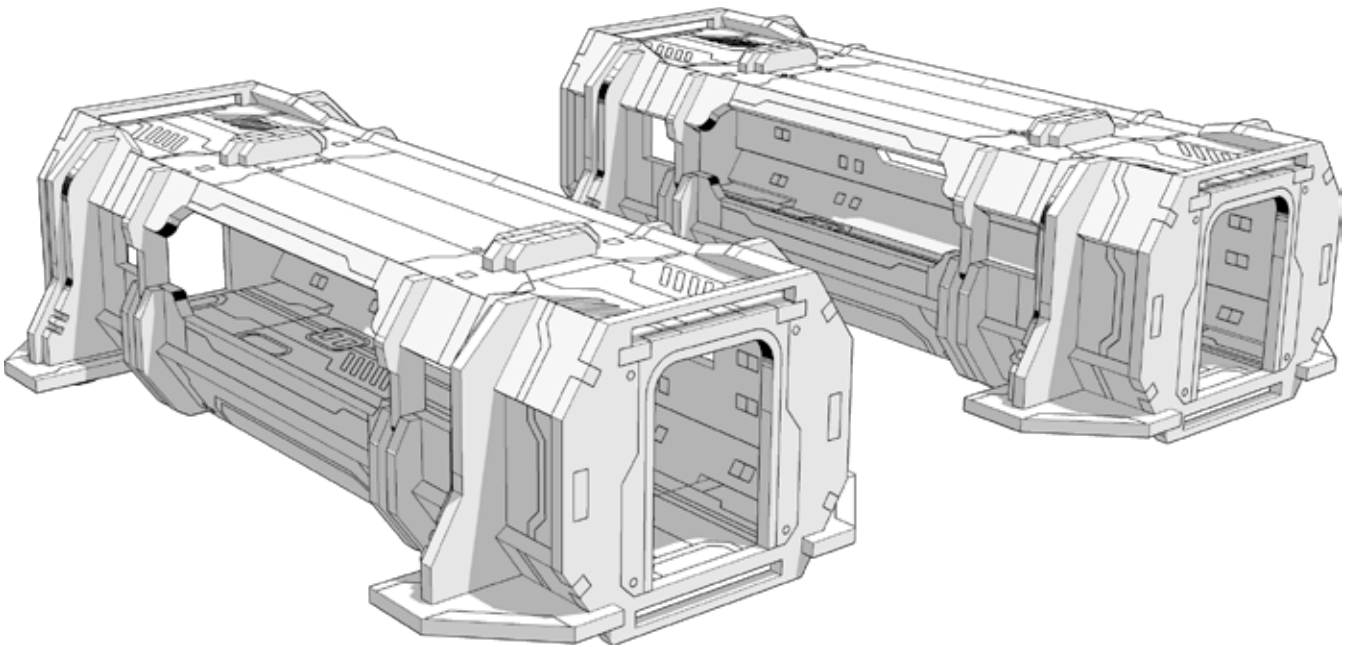


# TABLETOP SCENICS

**TTSCW-SFU-142**

**Mule:  
Tunnel**

**29**



 **TTCOMBAT**