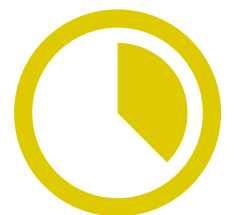
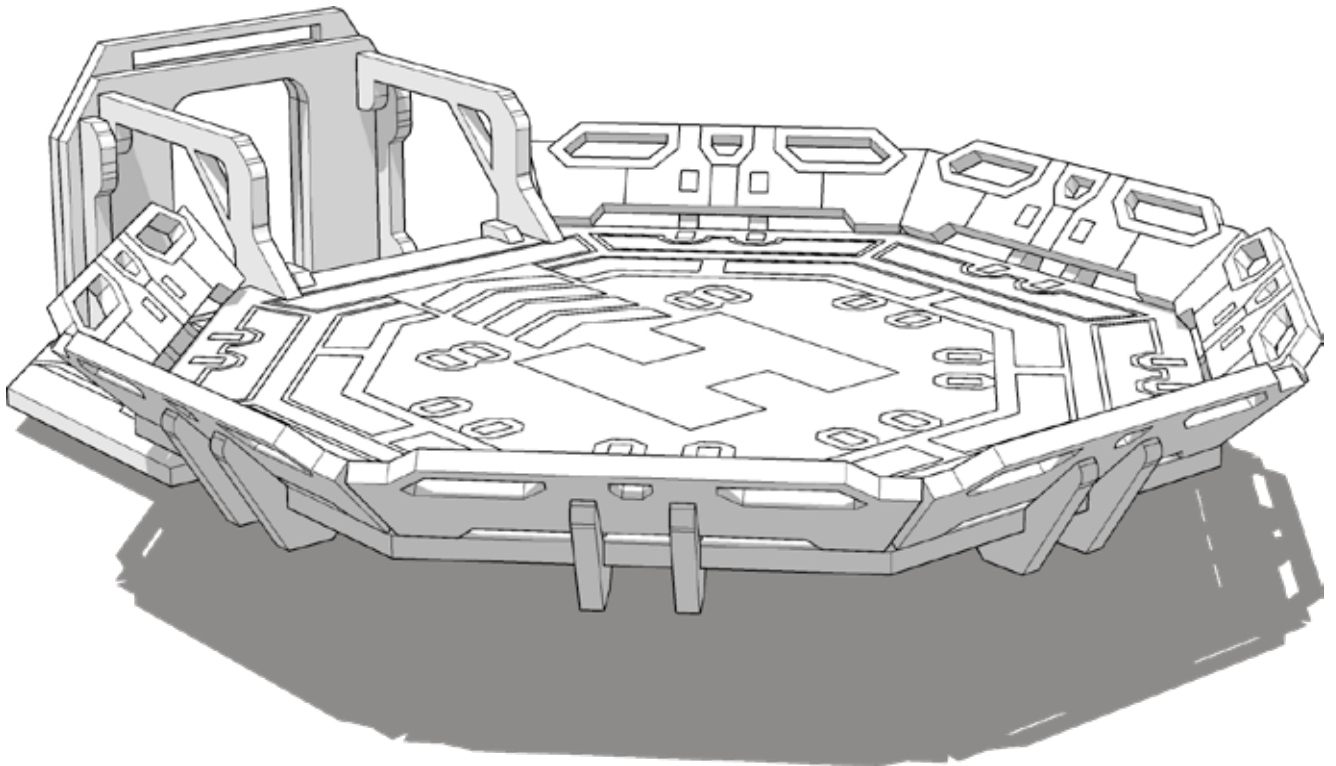




**TABLETOP
SCENICS**

TTSCW-SFU-141

**Mule:
Helipad**



 **TTCOMBAT**



TABLETOP SCENICS

TTSCW-SFU-141

Mule:
Helipad

2

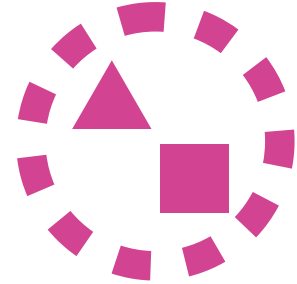
These are a series of icons that may be used throughout the instructions to help your assembly.
If in doubt, scroll ahead to confirm.



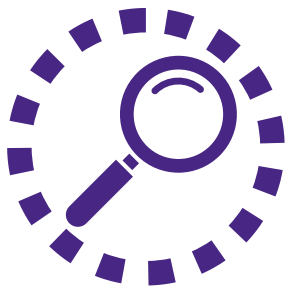
Do not glue this part



Carefully score and
fold this part



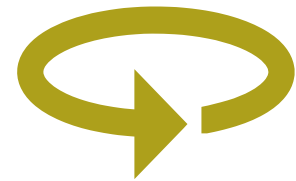
This part - or its placement is
completely optional



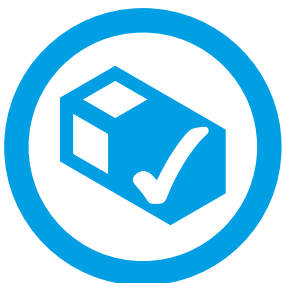
Look closely at this step -
The process order or part
used, may be specific



Repeat making this part
the specified number
of times



The next instruction step
will be the same assembly
so far, but from a different
angle



Sub-assembly complete.
This smaller construction
is ready to add to the
main kit



Assembly Complete! There
could be more optional
parts - check to the very end
of instructions



FRAGILE: DO NOT BEND.
“Bendy wood” is designed to
curve around a designed
frame only.

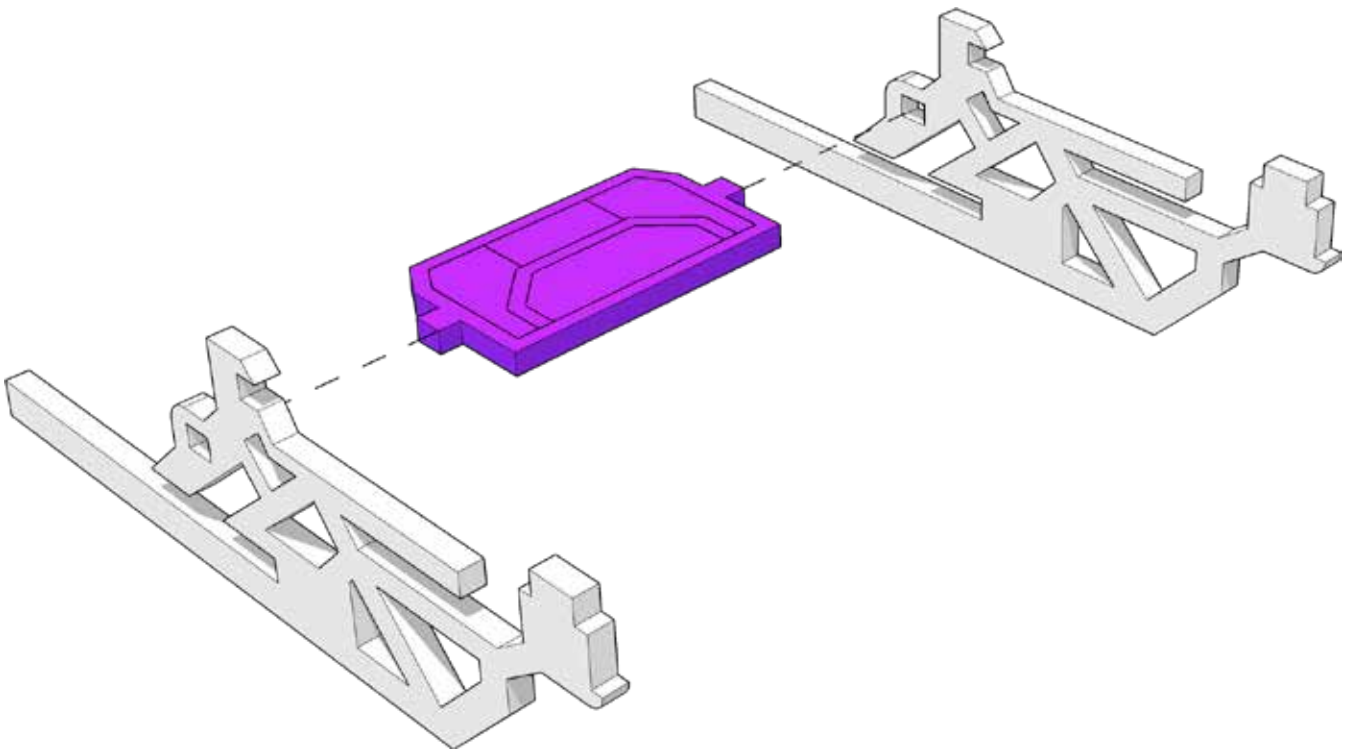


TABLETOP SCENICS

TTSCW-SFU-141

Mule:
Helipad

3



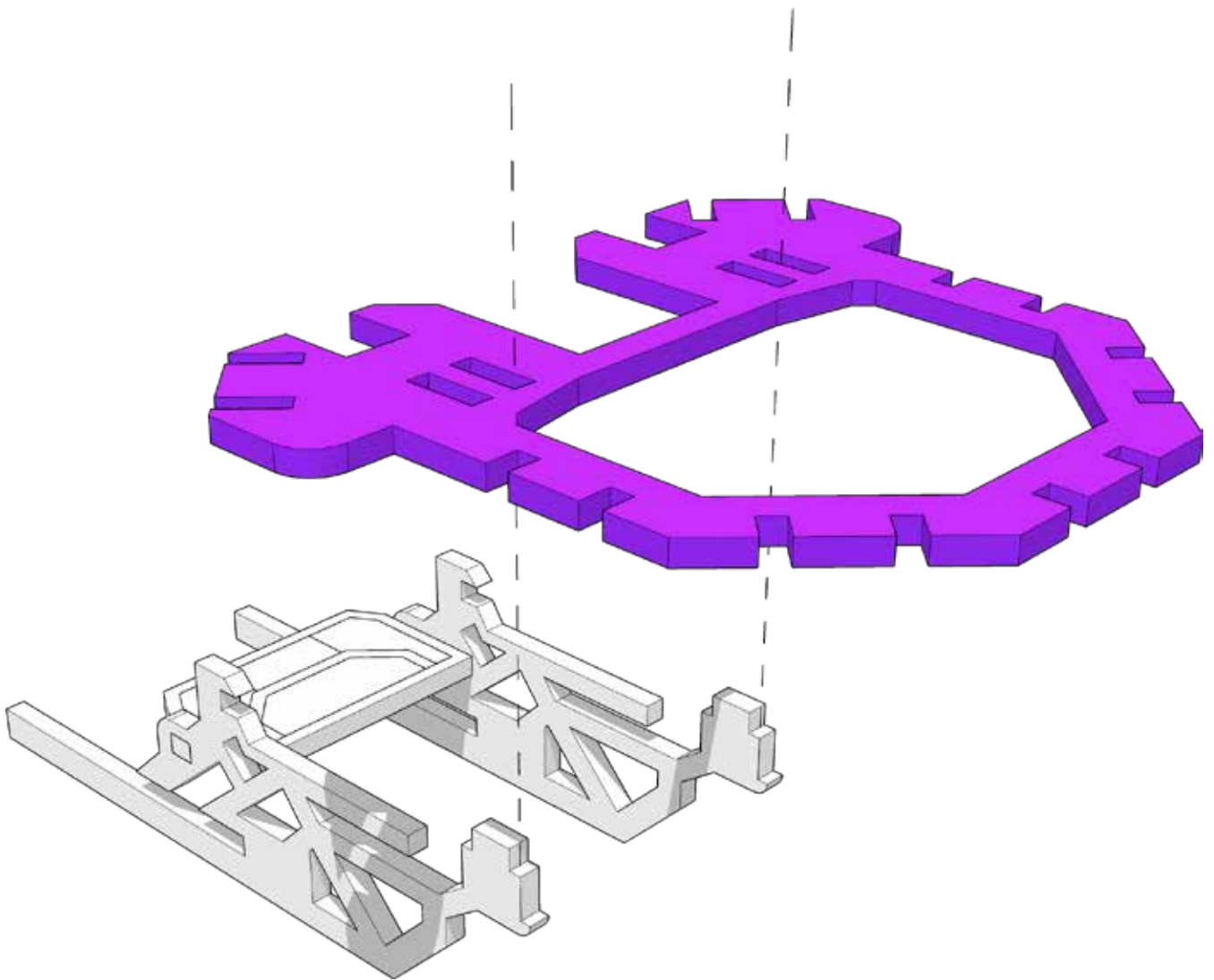


TABLETOP SCENICS

TTSCW-SFU-141

Mule:
Helipad

4



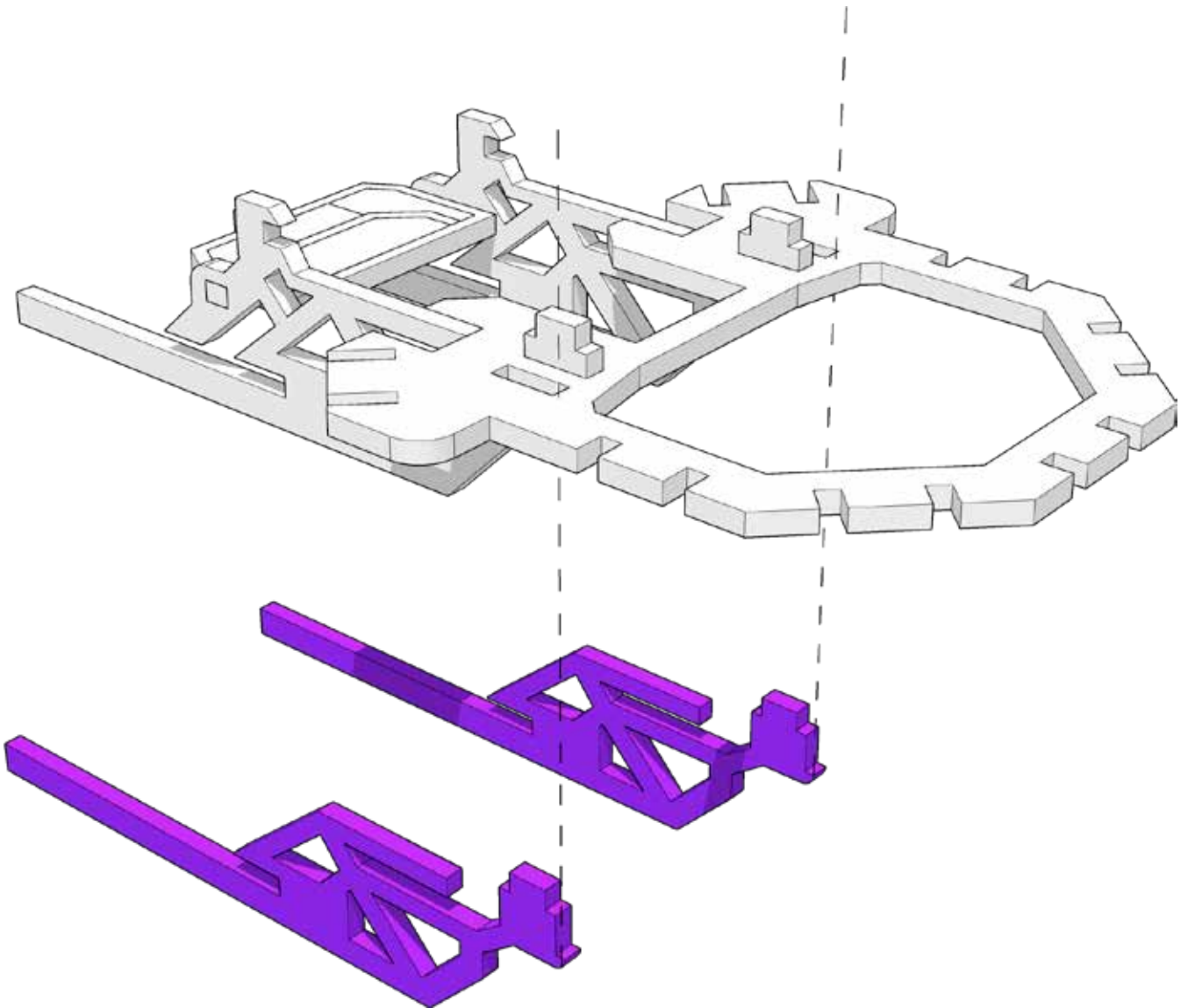


TABLETOP SCENICS

TTSCW-SFU-141

Mule:
Helipad

5



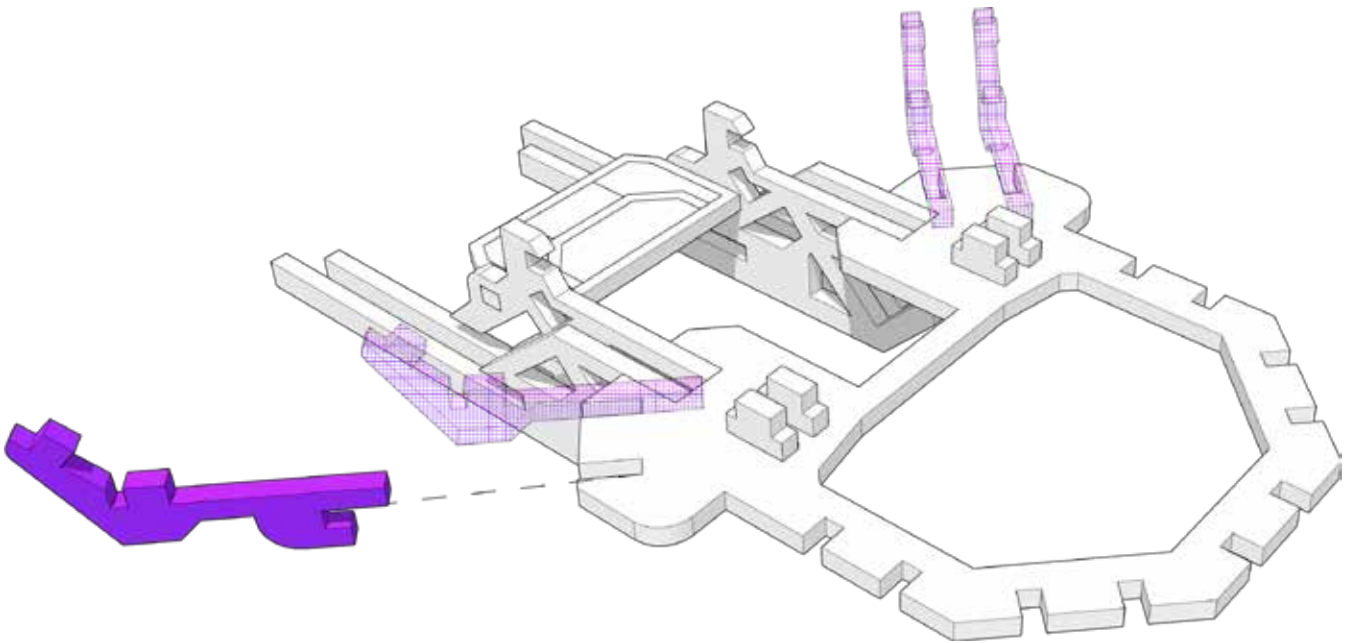


TABLETOP SCENICS

TTSCW-SFU-141

Mule:
Helipad

6



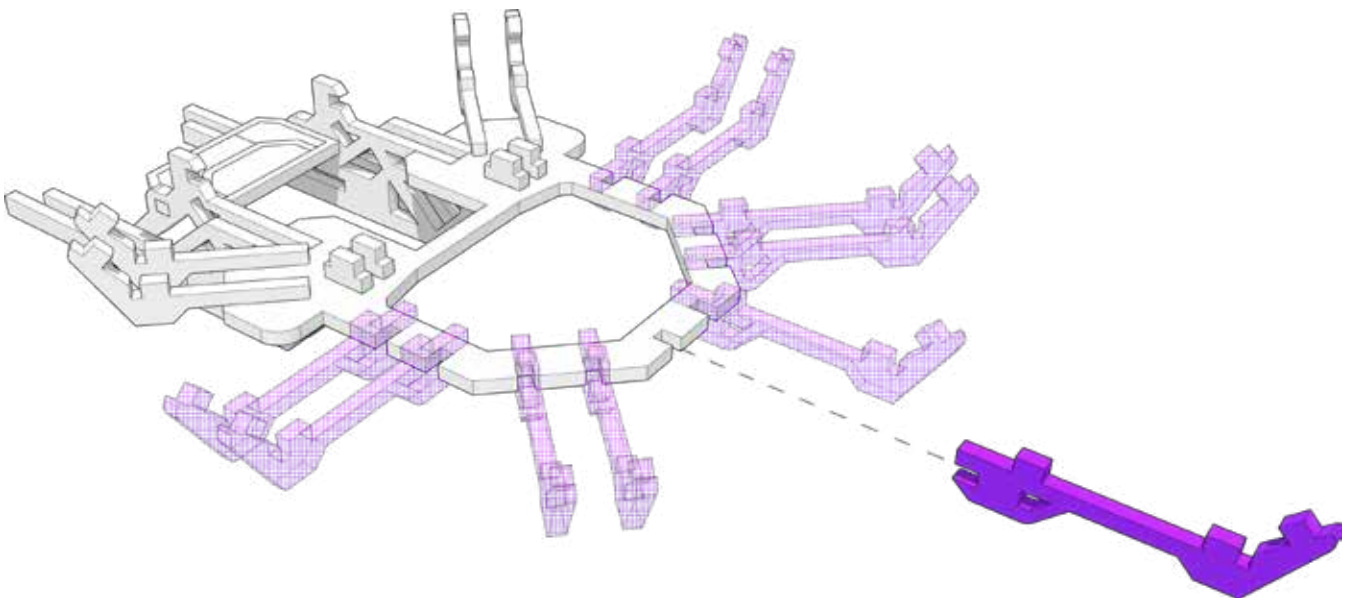


TABLETOP SCENICS

TTSCW-SFU-141

Mule:
Helipad

7



Repeat highlighted part in remaining
slots

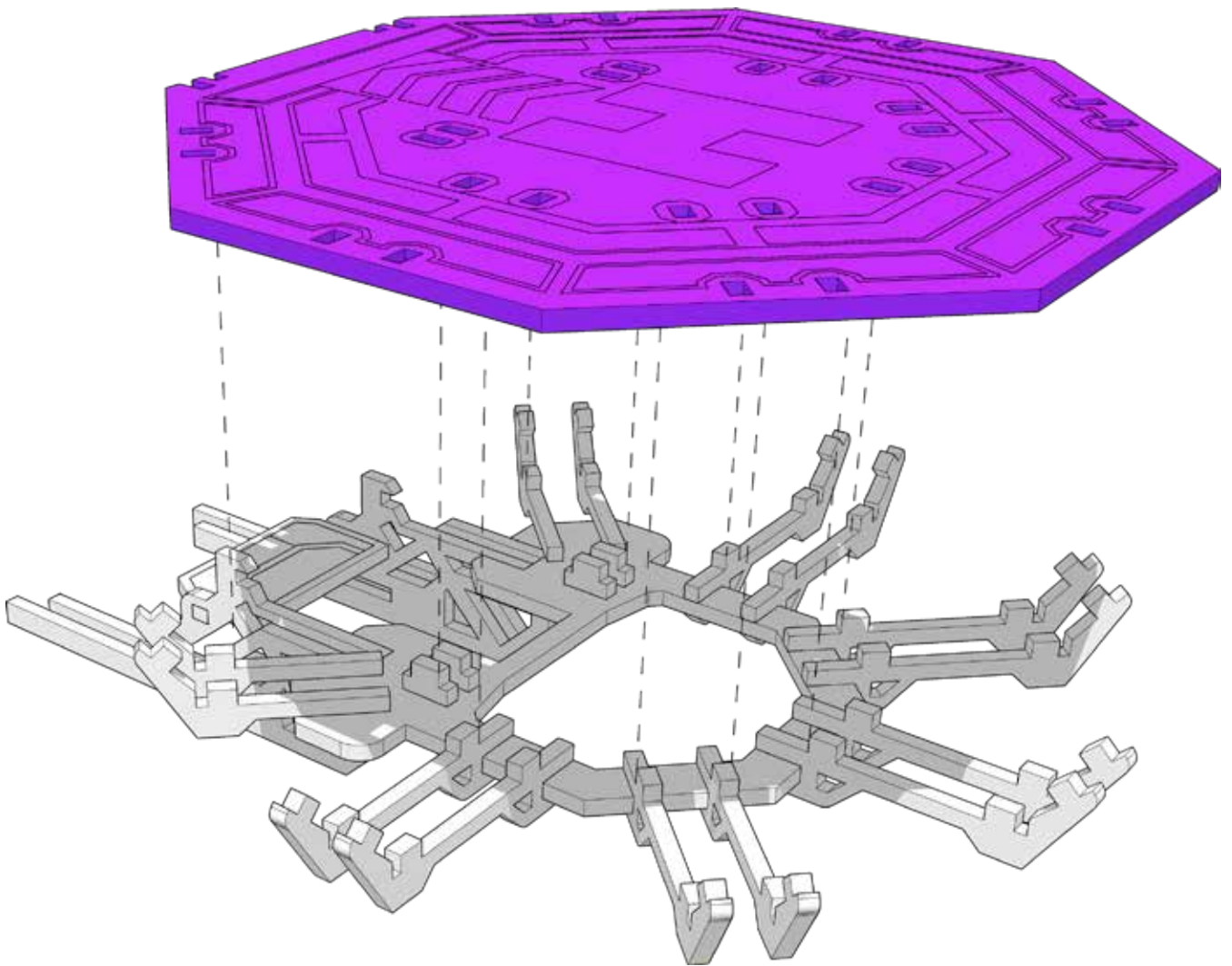


TABLETOP SCENICS

TTSCW-SFU-141

Mule:
Helipad

8

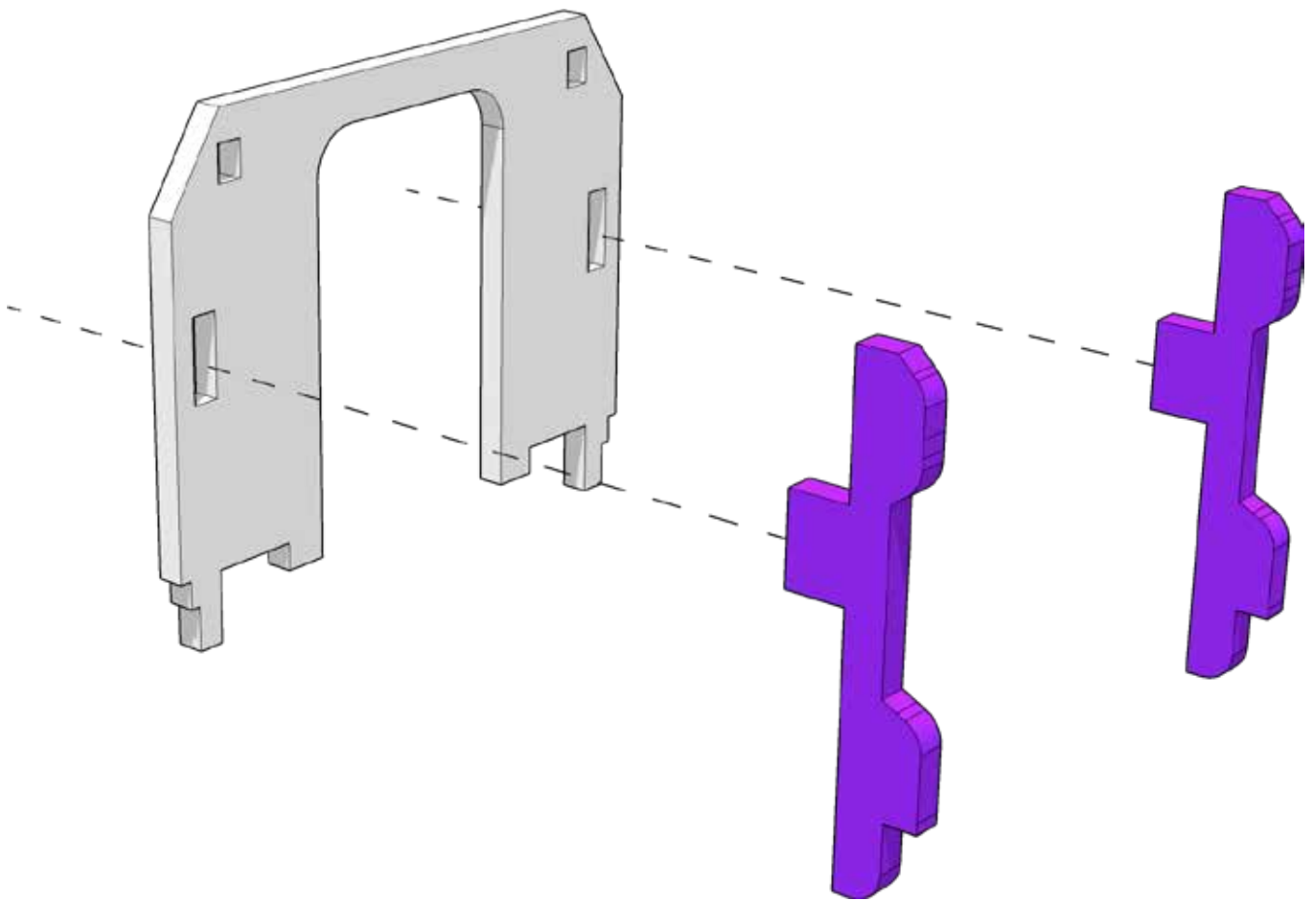




TABLETOP SCENICS

TTSCW-SFU-141
Mule:
Helipad

9



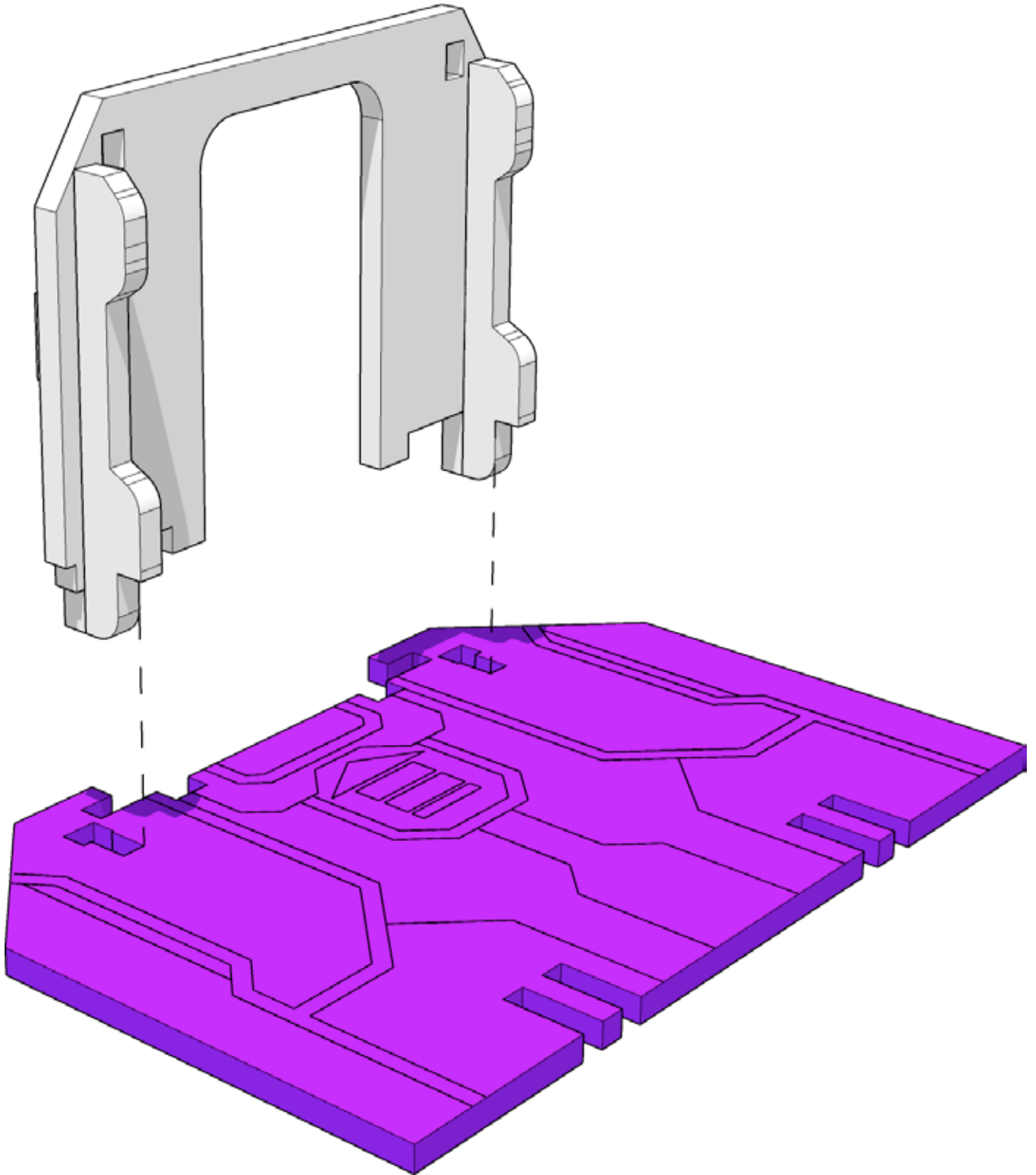


TABLETOP SCENICS

TTSCW-SFU-141

Mule:
Helipad

10



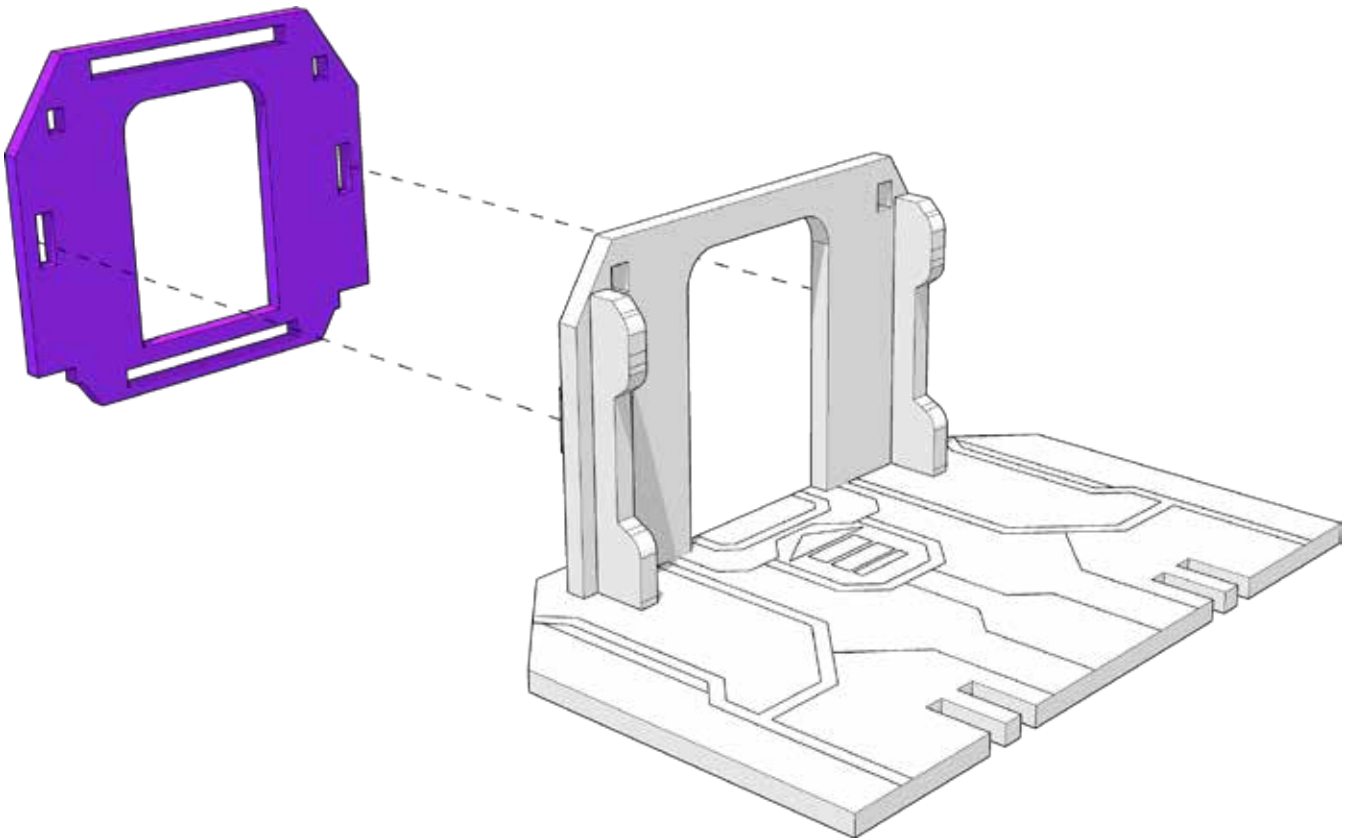


TABLETOP SCENICS

TTSCW-SFU-141

Mule:
Helipad

11



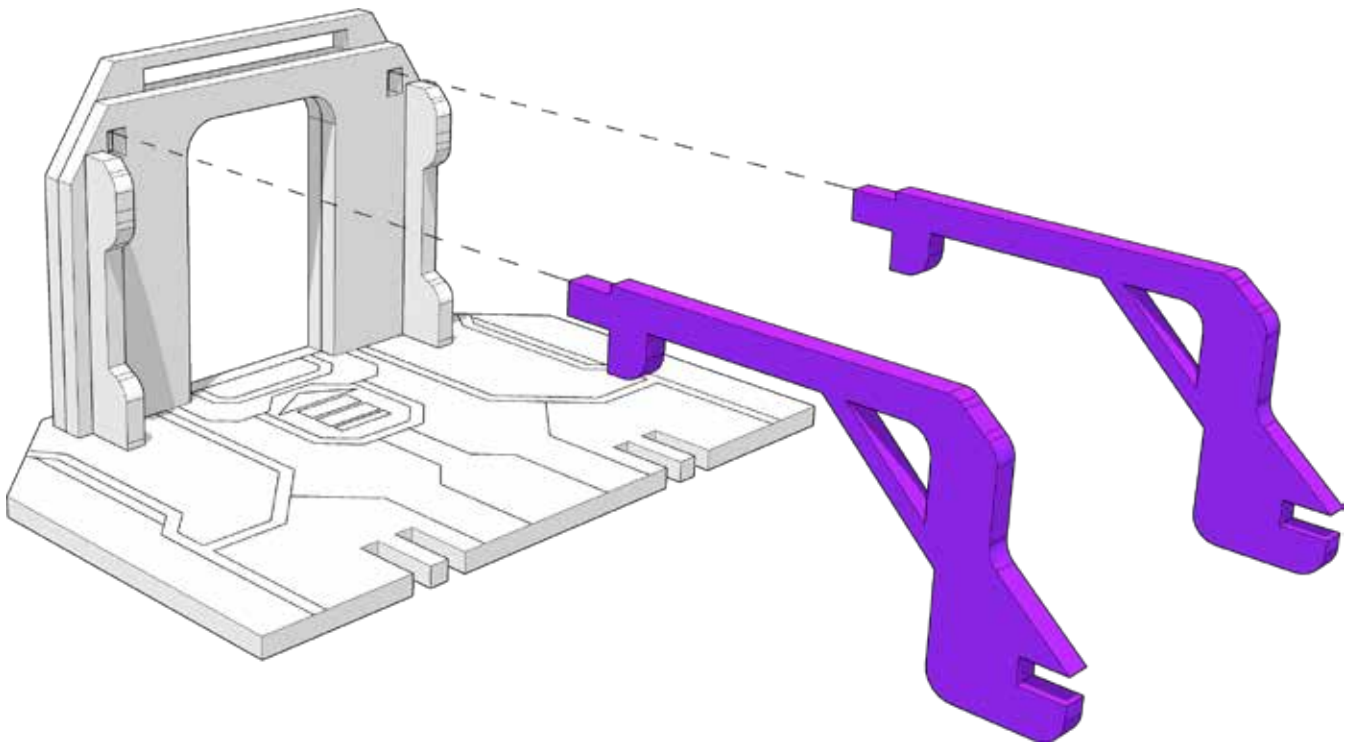


TABLETOP SCENICS

TTSCW-SFU-141

Mule:
Helipad

12



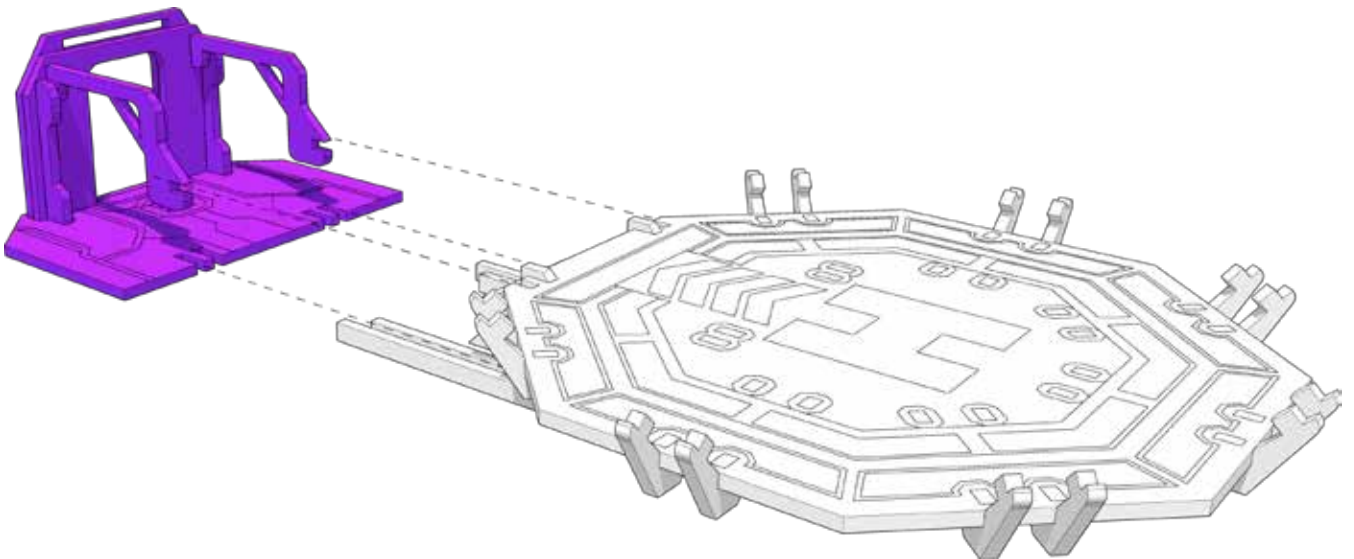


TABLETOP SCENICS

TTSCW-SFU-141

**Mule:
Helipad**

13



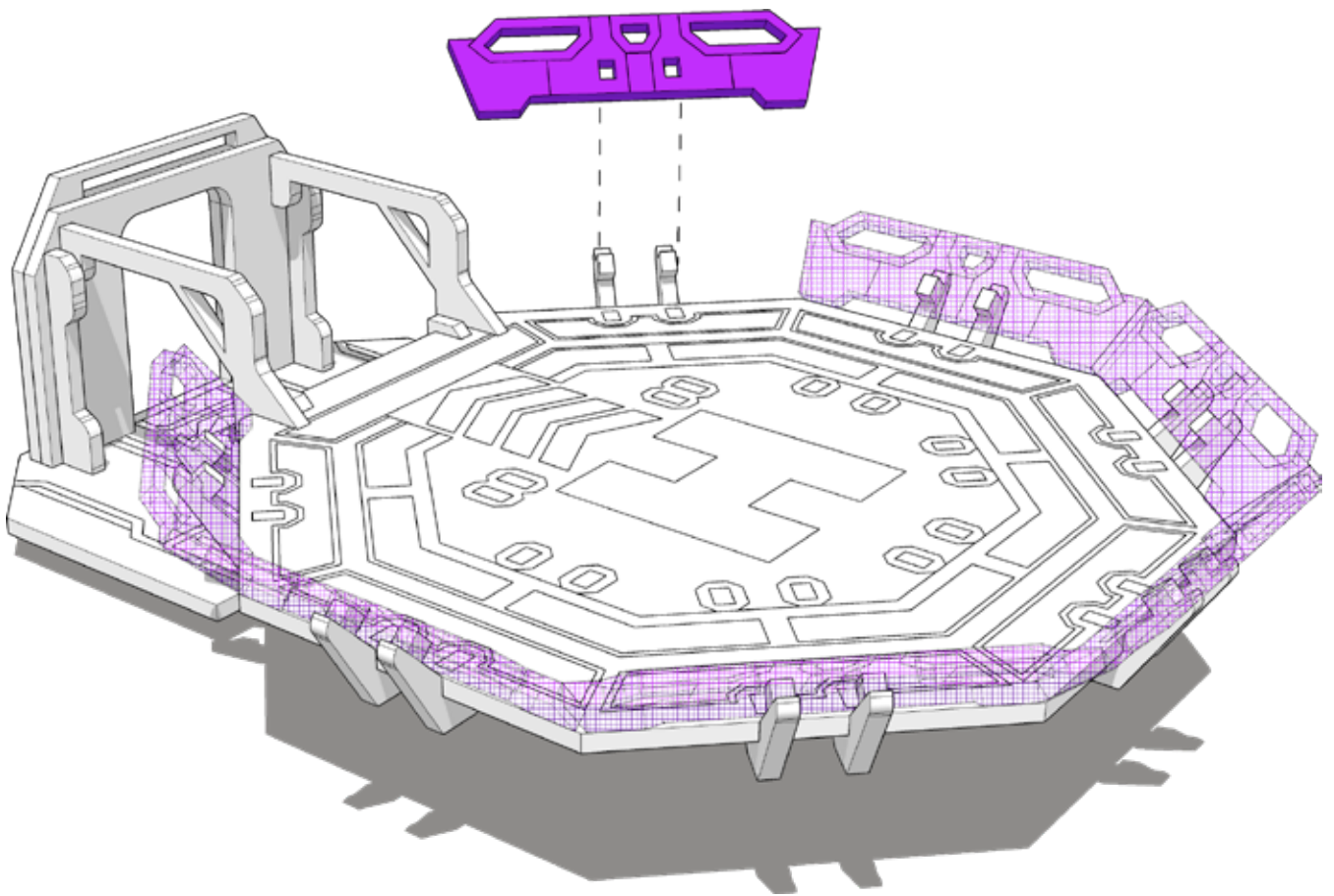


TABLETOP SCENICS

TTSCW-SFU-141

Mule:
Helipad

14





TABLETOP SCENICS

TTSCW-SFU-141

**Mule:
Helipad**

15

