

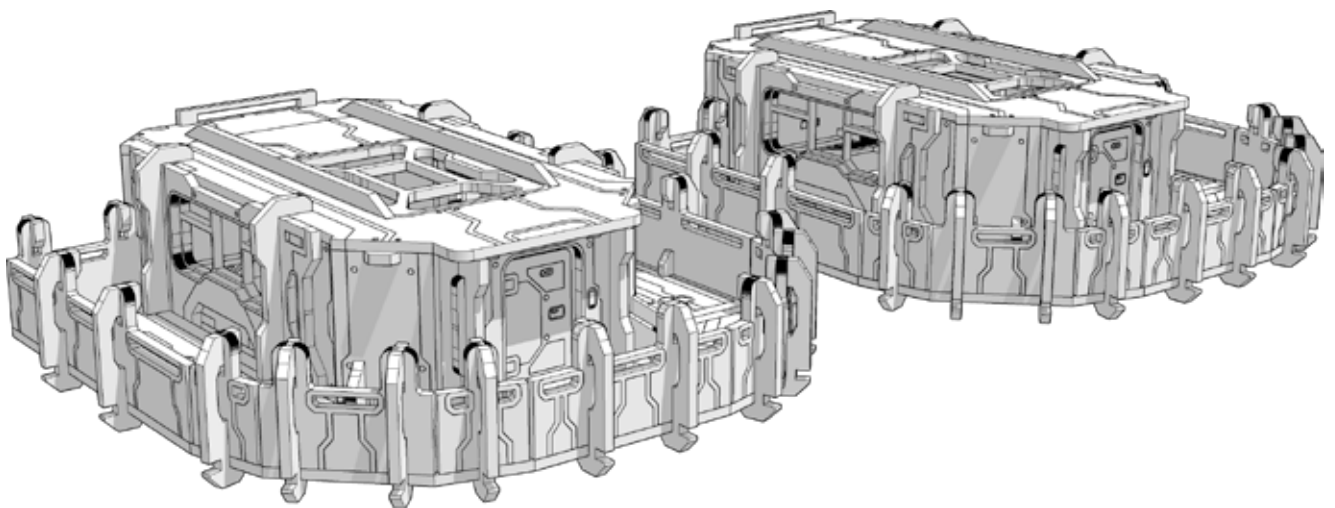


TABLETOP
SCENICS

TTSCW-SFU-138

Mule:

Hab



 **TTCOMBAT**



TABLETOP SCENICS

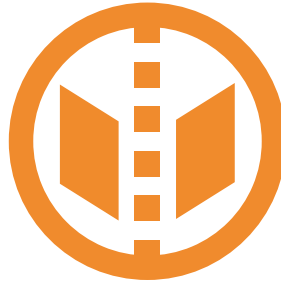
TTSCW-SFU-138
Mule:
Hab

2

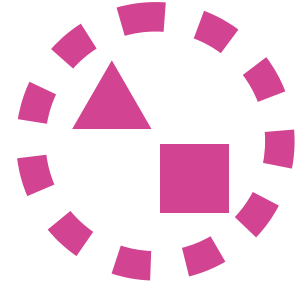
These are a series of icons that may be used throughout the instructions to help your assembly.
If in doubt, scroll ahead to confirm.



Do not glue this part



Carefully score and
fold this part



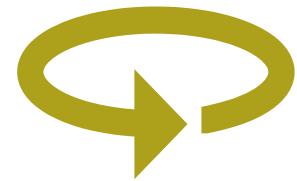
This part - or its placement is
completely optional



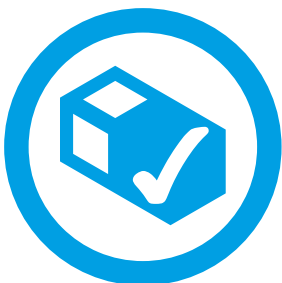
Look closely at this step -
The process order or part
used, may be specific



Repeat making this part
the specified number
of times



The next instruction step
will be the same assembly
so far, but from a different
angle



Sub-assembly complete.
This smaller construction
is ready to add to the
main kit



Assembly Complete! There
could be more optional
parts - check to the very end
of instructions



FRAGILE: DO NOT BEND.
“Bendy wood” is designed to
curve around a designed
frame only.



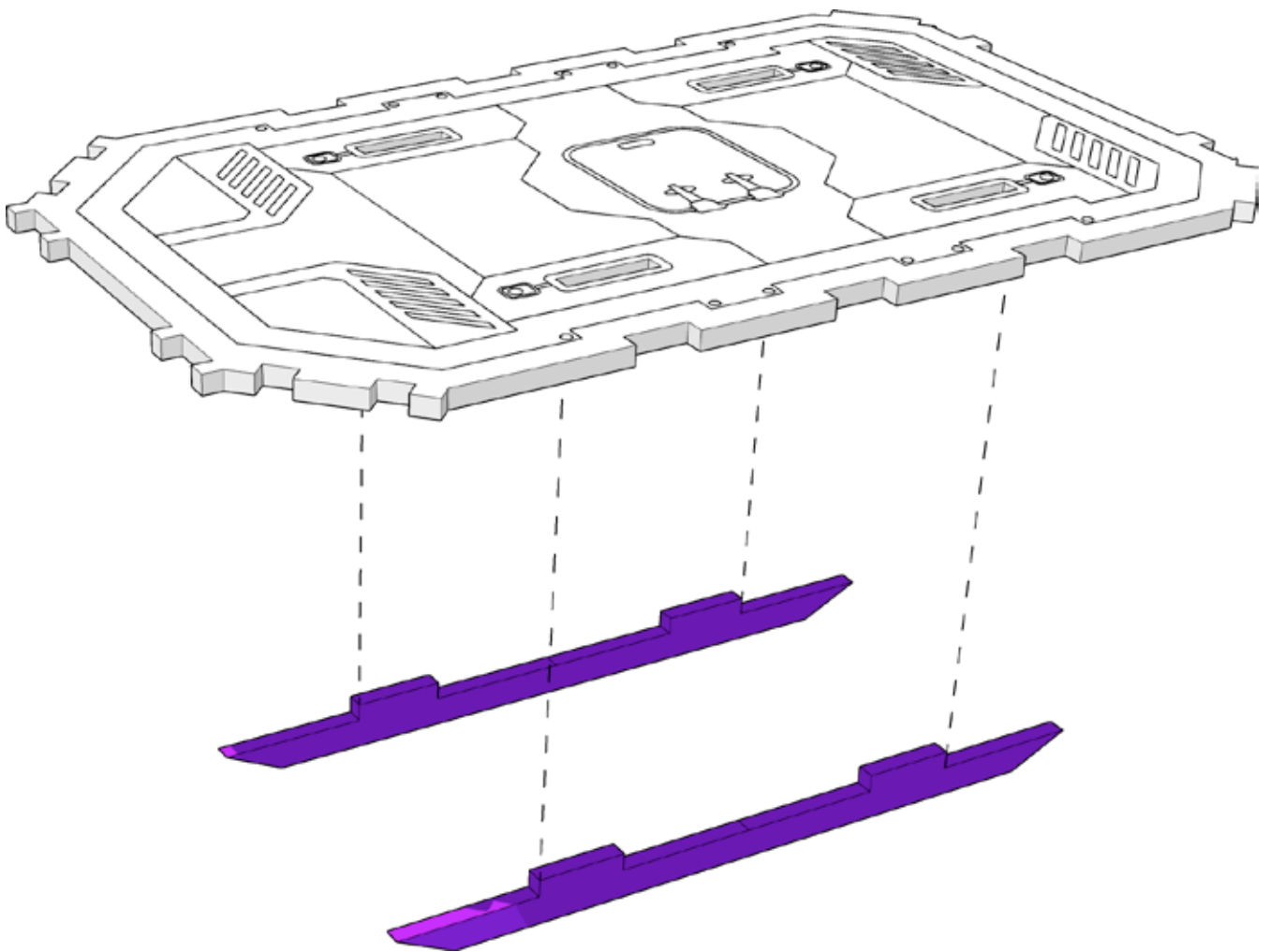
TABLETOP SCENICS

TTSCW-SFU-138

Mule:

Hab

3





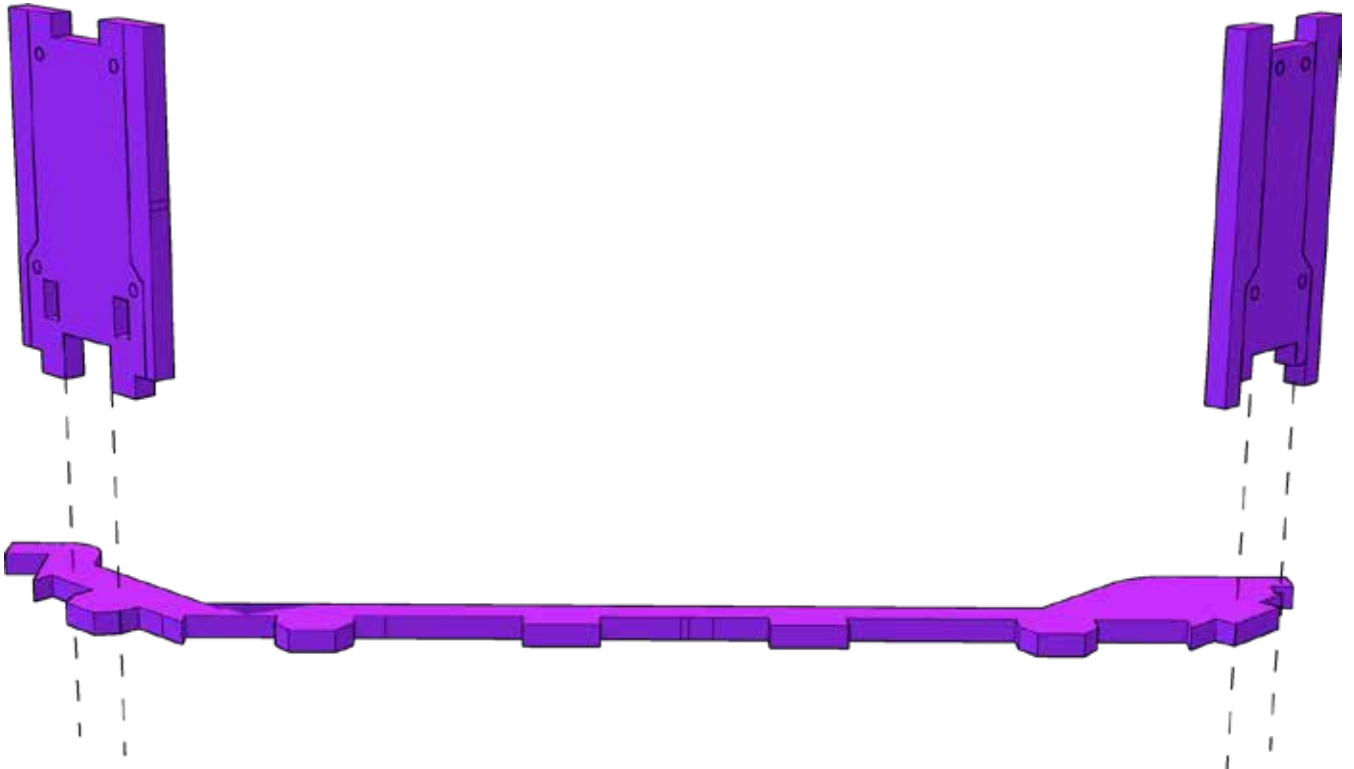
TABLETOP SCENICS

TTSCW-SFU-138

Mule:

Hab

4



Bottom piece is similar to another piece.
You require the slimmer one



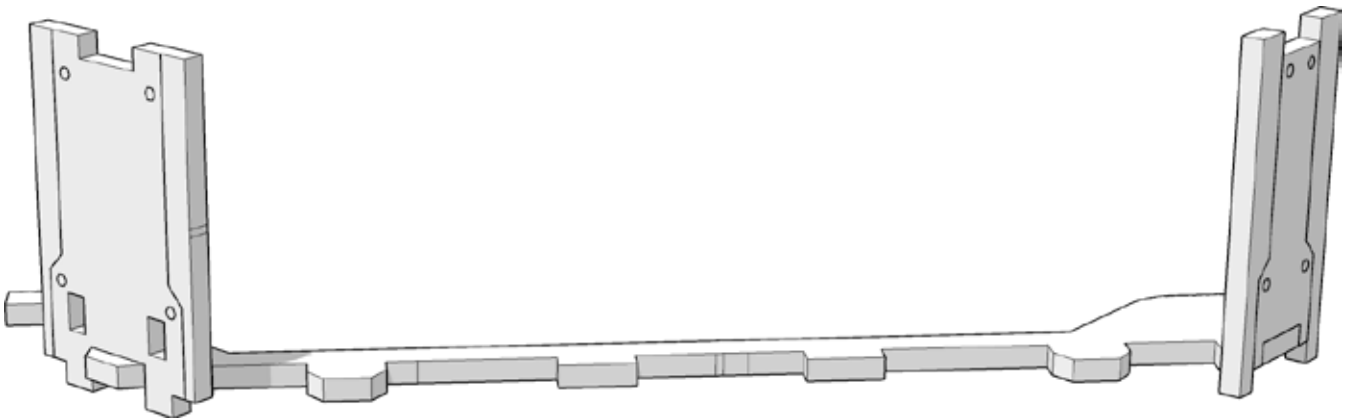
TABLETOP SCENICS

TTSCW-SFU-138

Mule:

Hab

5



x2

The second version is a mirror of the
above





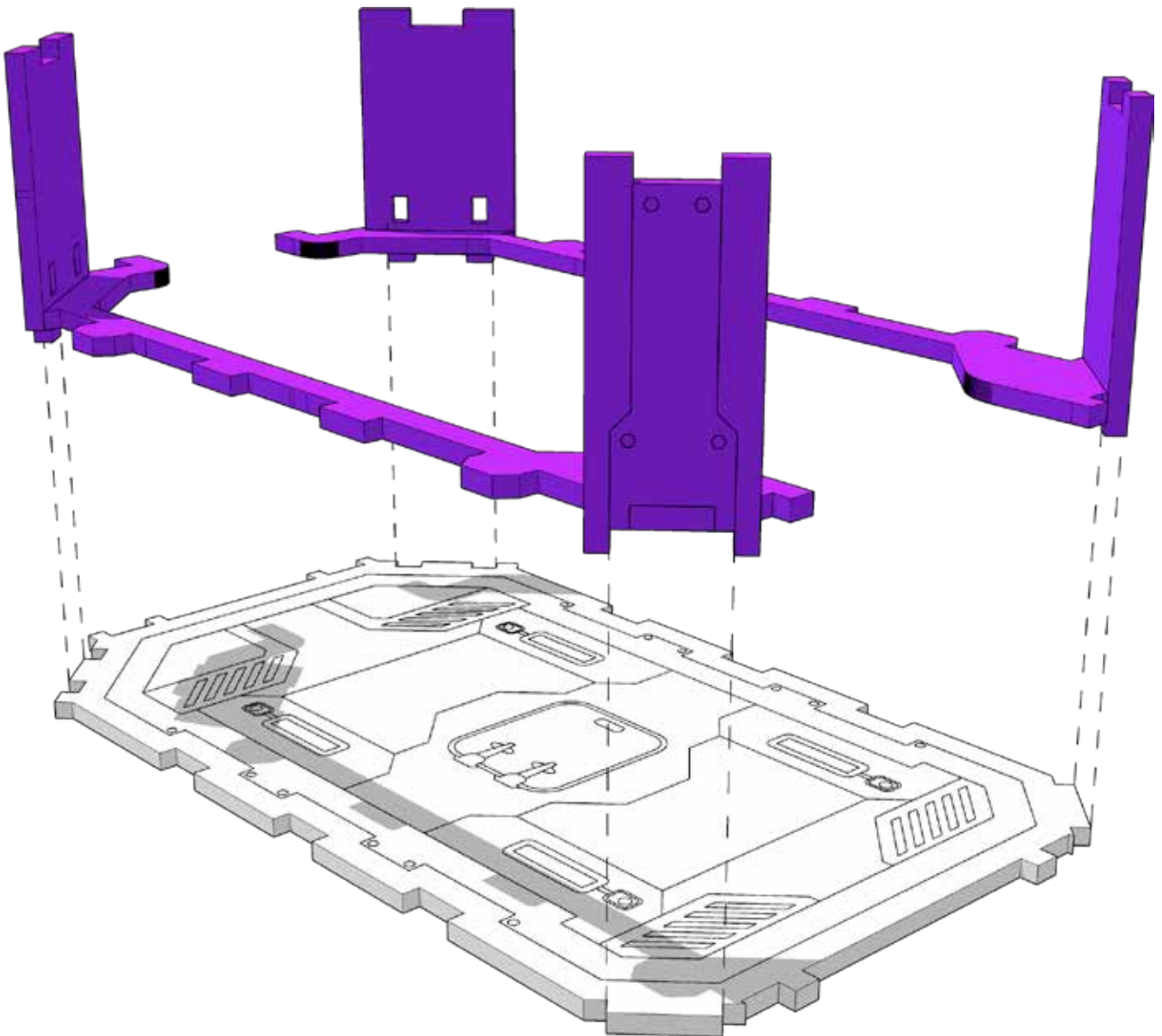
TABLETOP SCENICS

TTSCW-SFU-138

Mule:

Hab

6





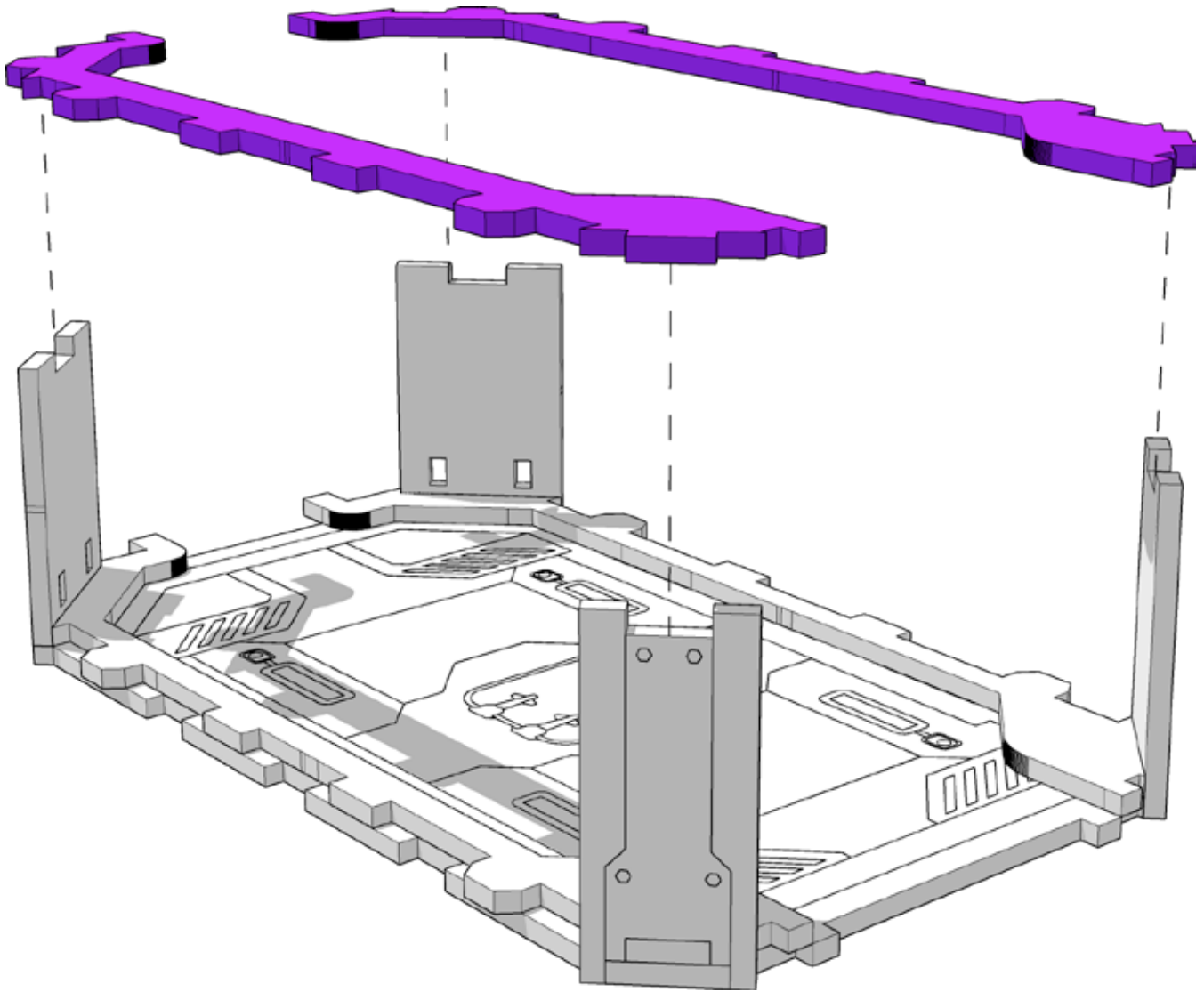
TABLETOP SCENICS

TTSCW-SFU-138

Mule:

Hab

7



Highlighted parts are thicker than similar parts previously used on the floor



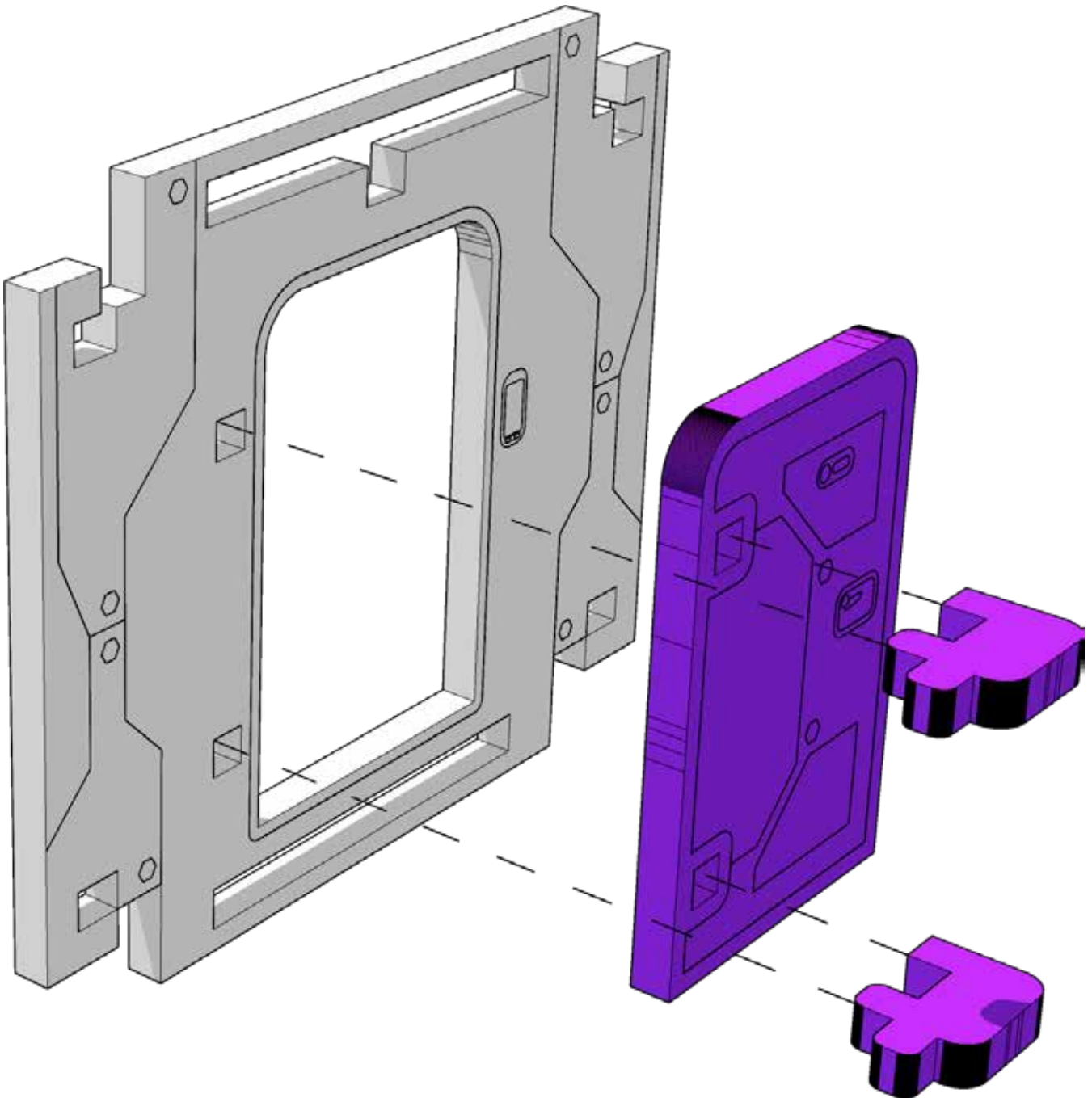
TABLETOP SCENICS

TTSCW-SFU-138

Mule:

Hab

8



Glue Hinges to door but NOT to door frame.
Door can be open or closed position



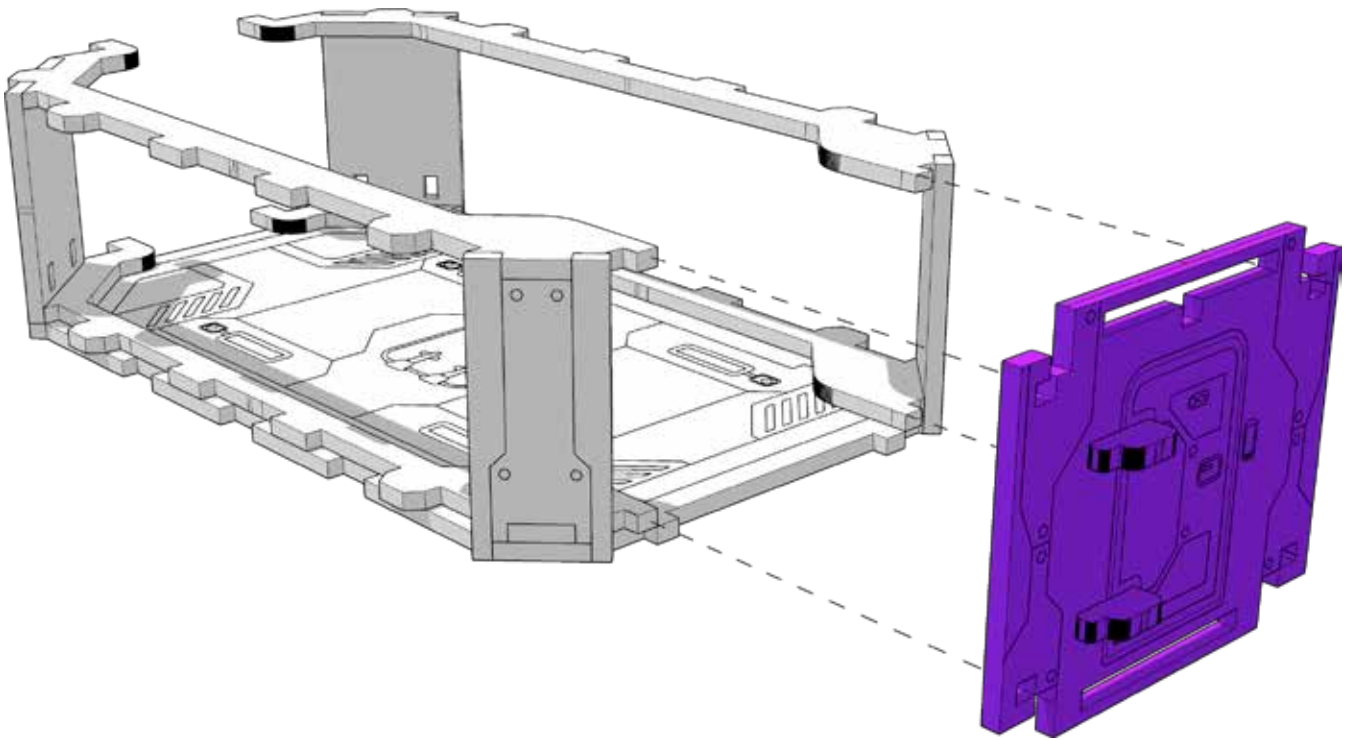
TABLETOP SCENICS

TTSCW-SFU-138

Mule:

Hab

9





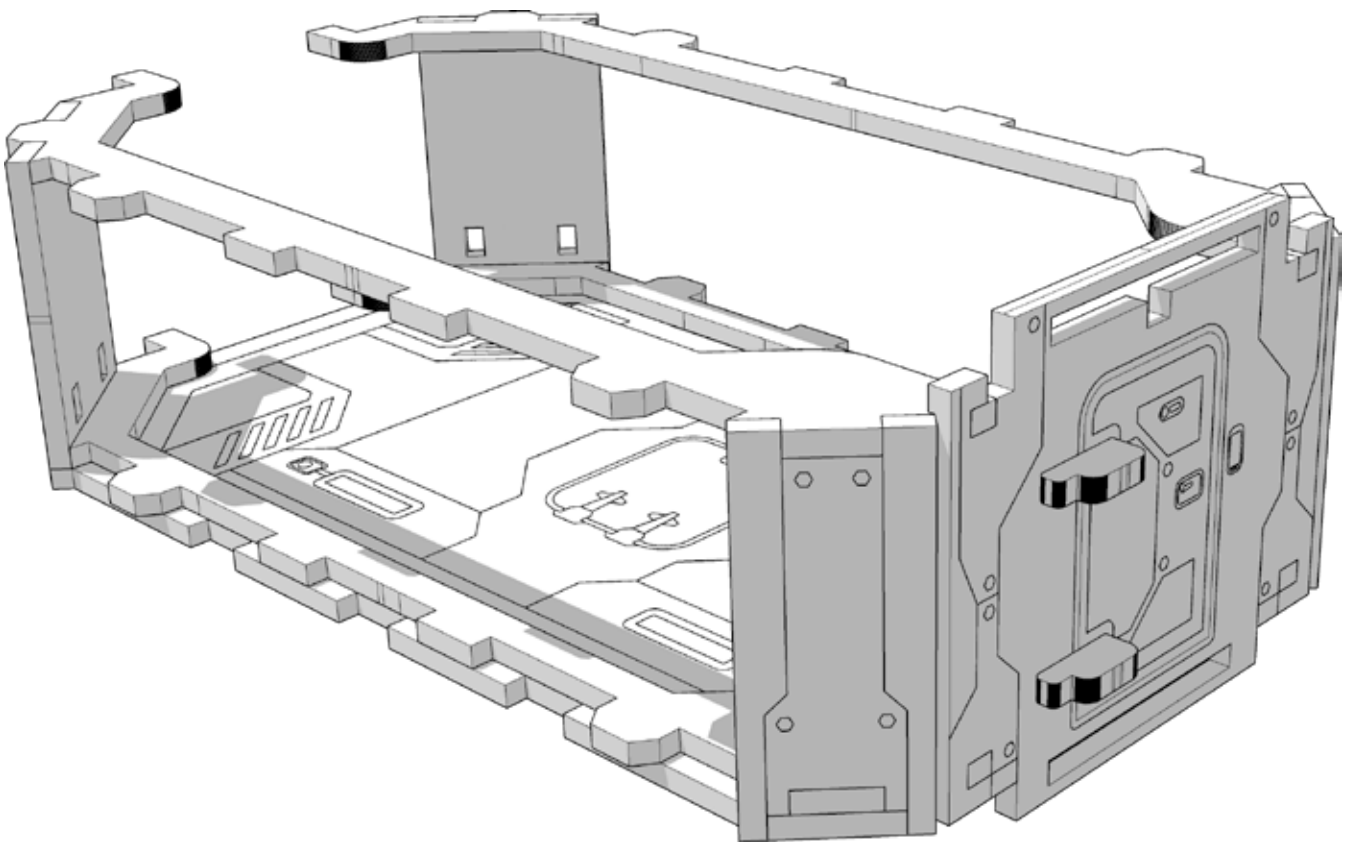
TABLETOP SCENICS

TTSCW-SFU-138

Mule:

Hab

10





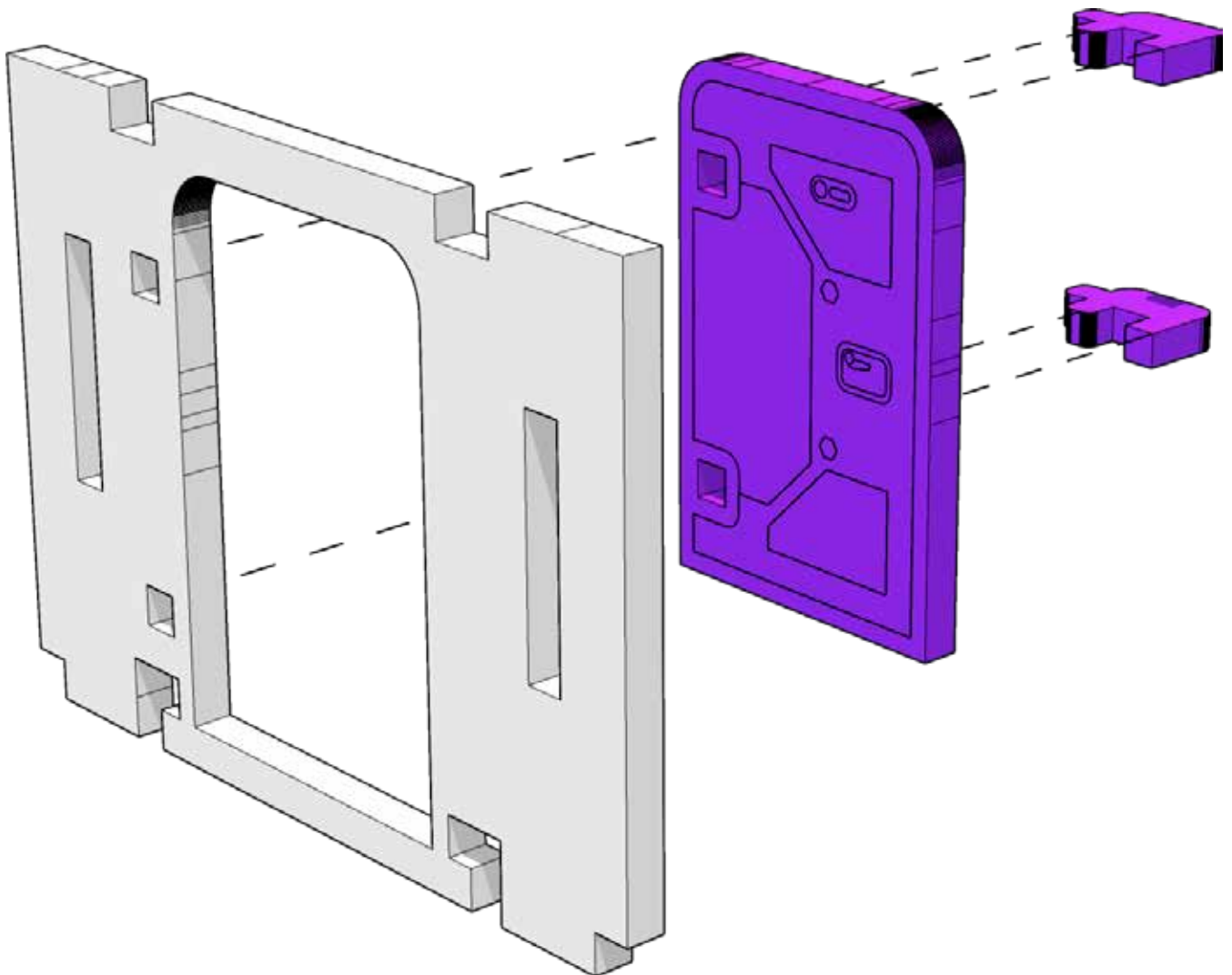
TABLETOP SCENICS

TTSCW-SFU-138

Mule:

Hab

11



Glue Hinges to door but NOT to door frame.
Door can be open or closed position



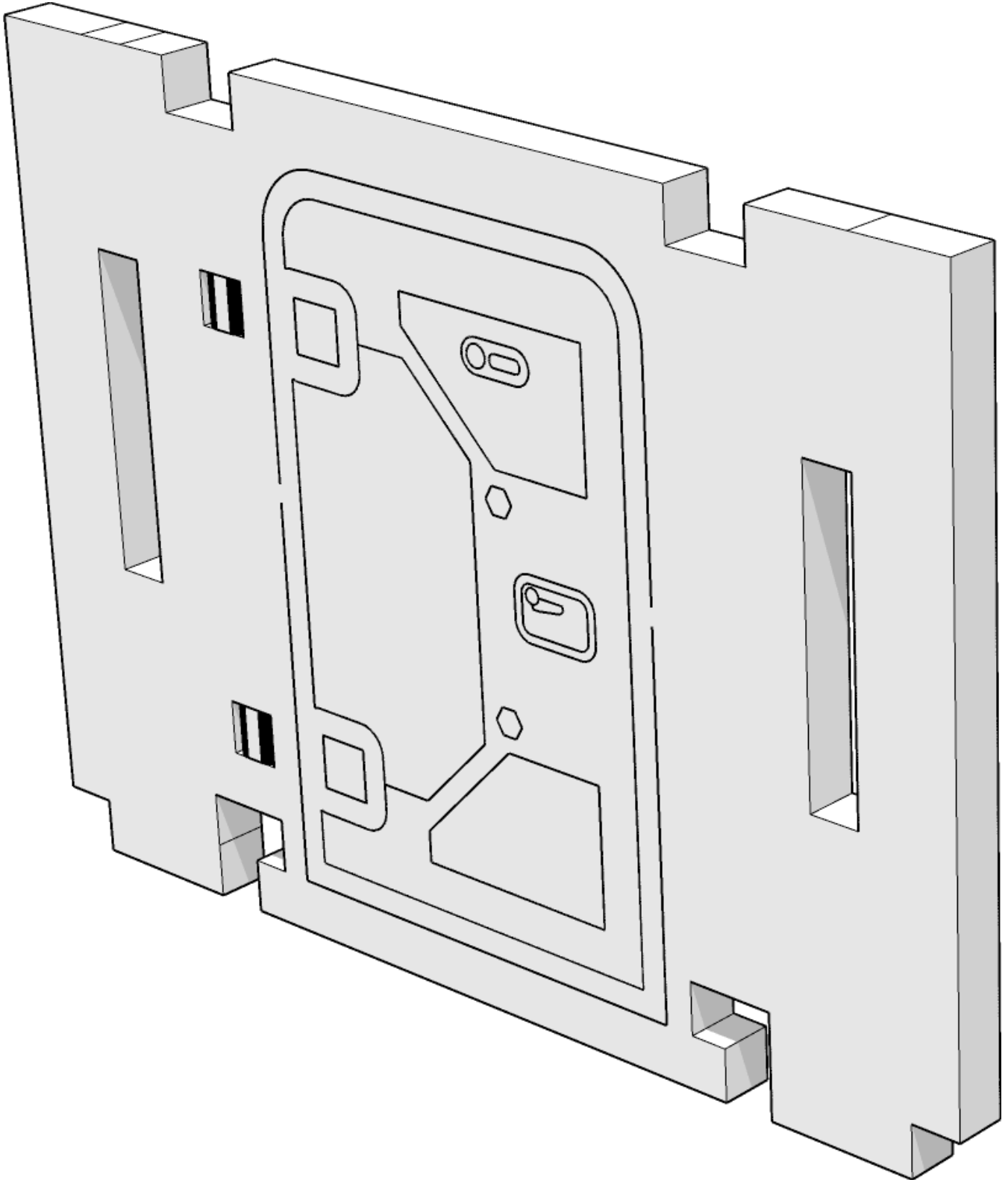
TABLETOP SCENICS

TTSCW-SFU-138

Mule:

Hab

12





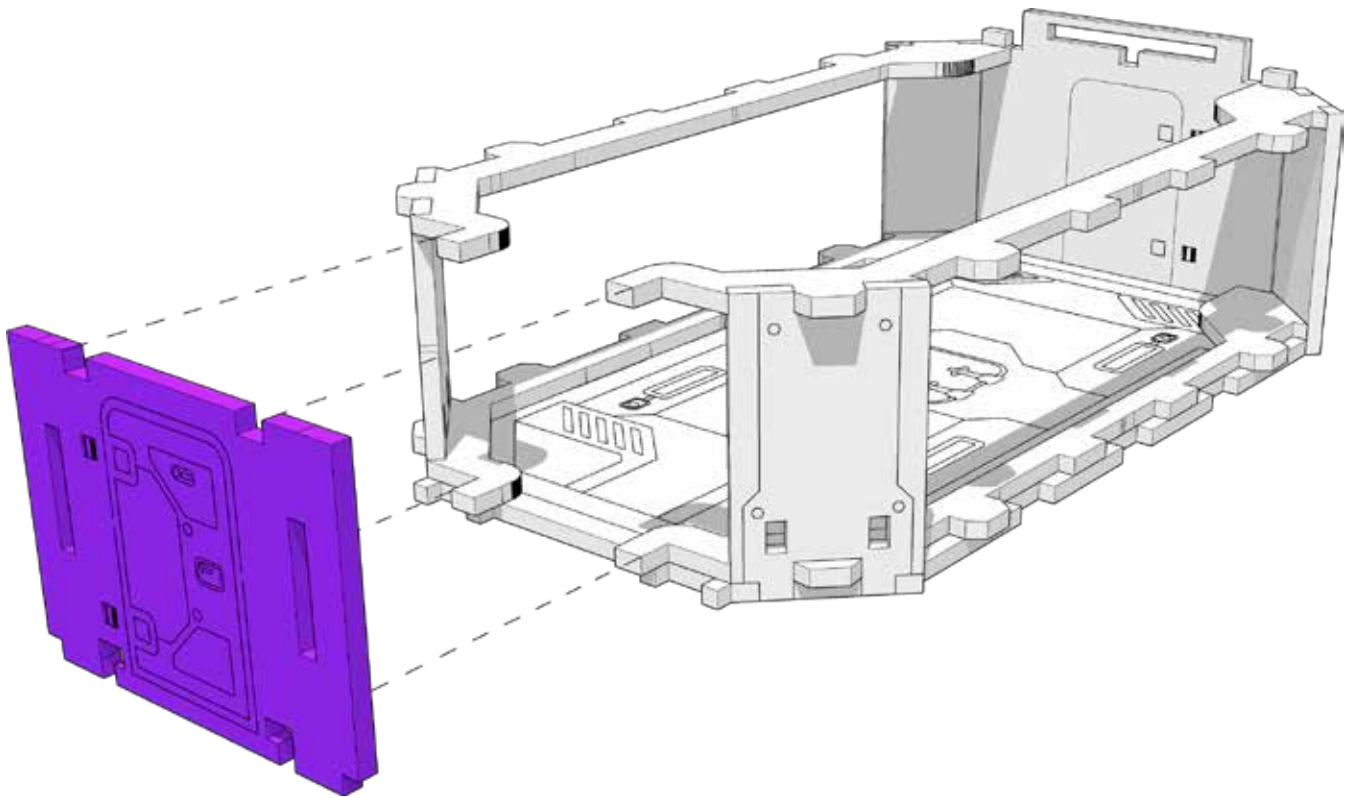
TABLETOP SCENICS

TTSCW-SFU-138

Mule:

Hab

13





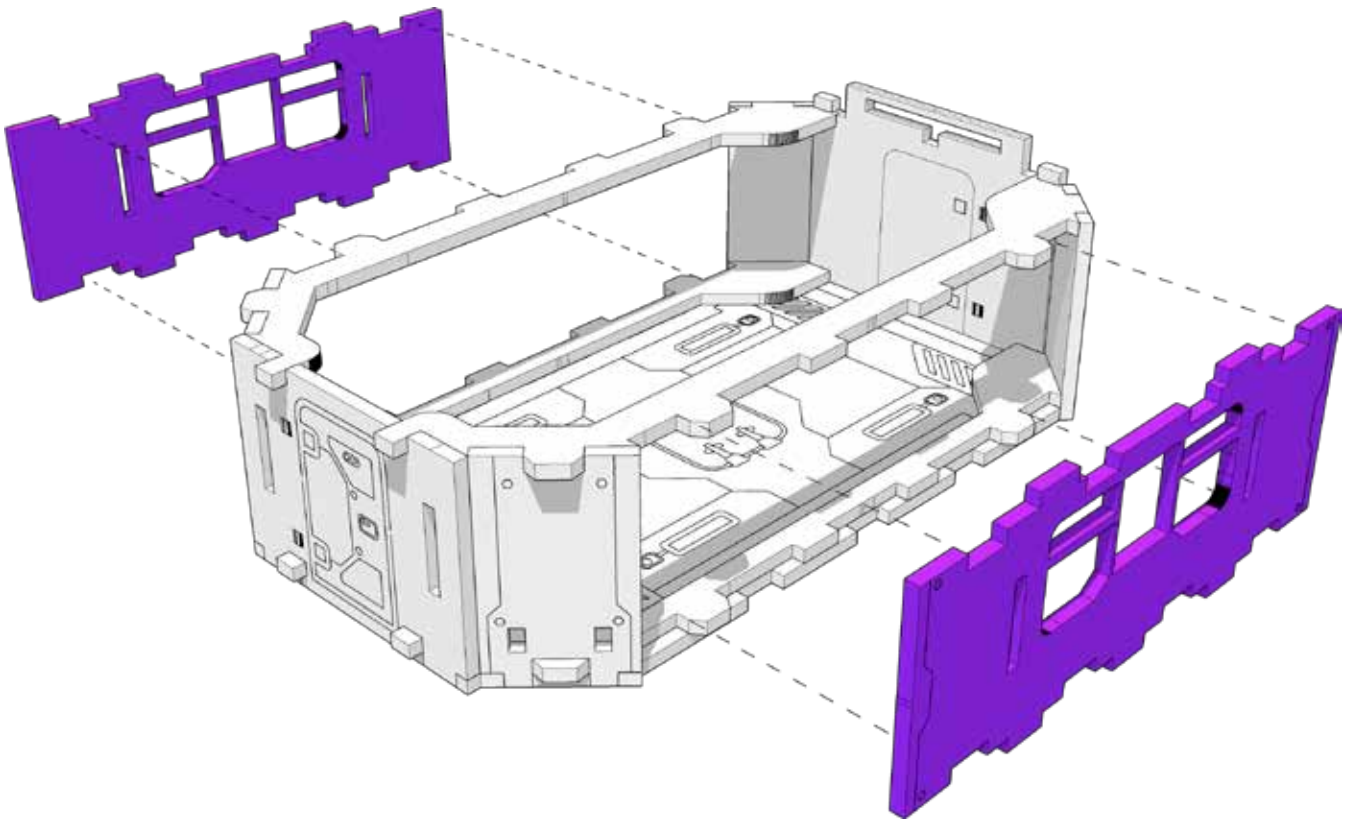
TABLETOP SCENICS

TTSCW-SFU-138

Mule:

Hab

14





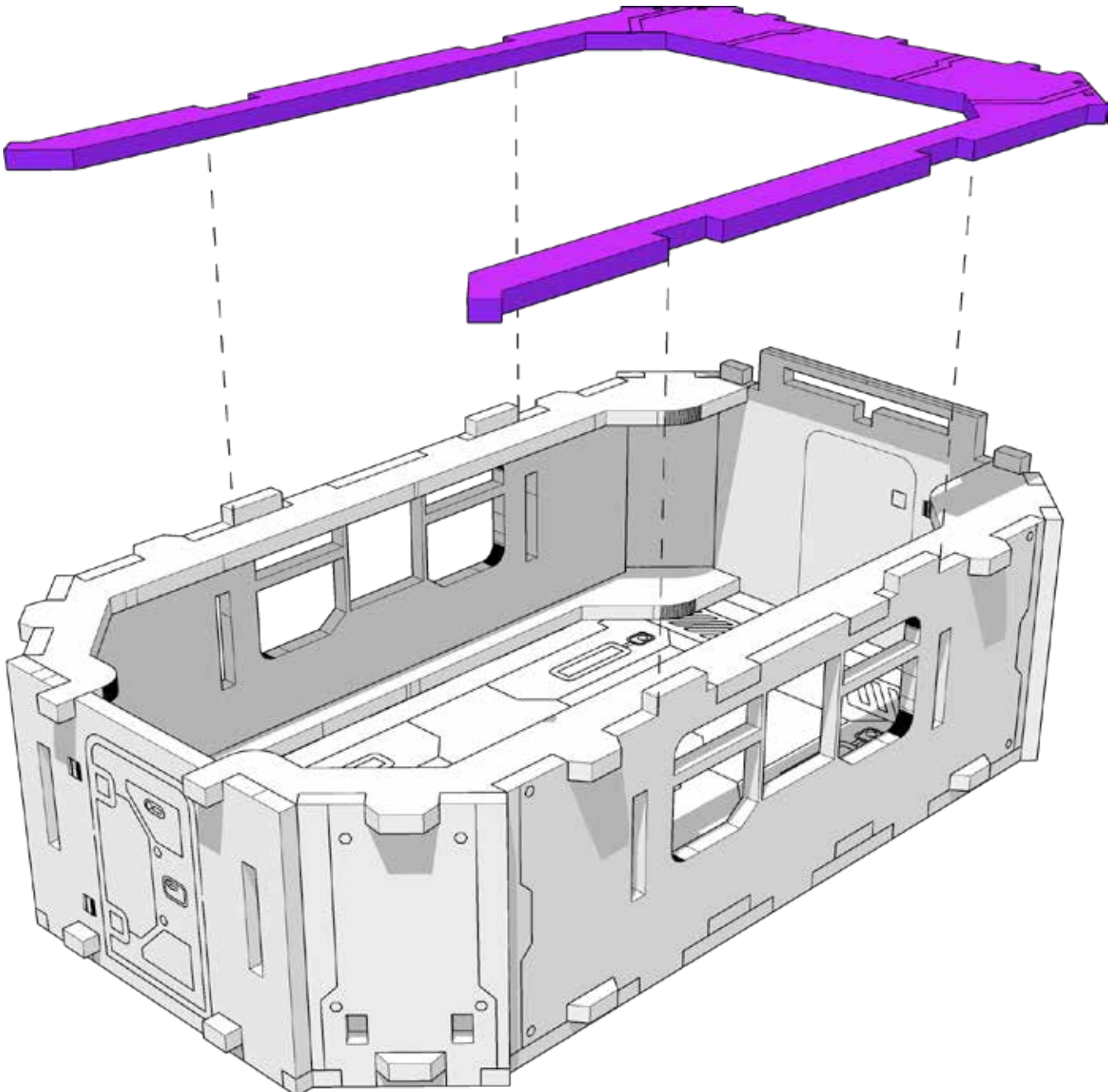
TABLETOP SCENICS

TTSCW-SFU-138

Mule:

Hab

15





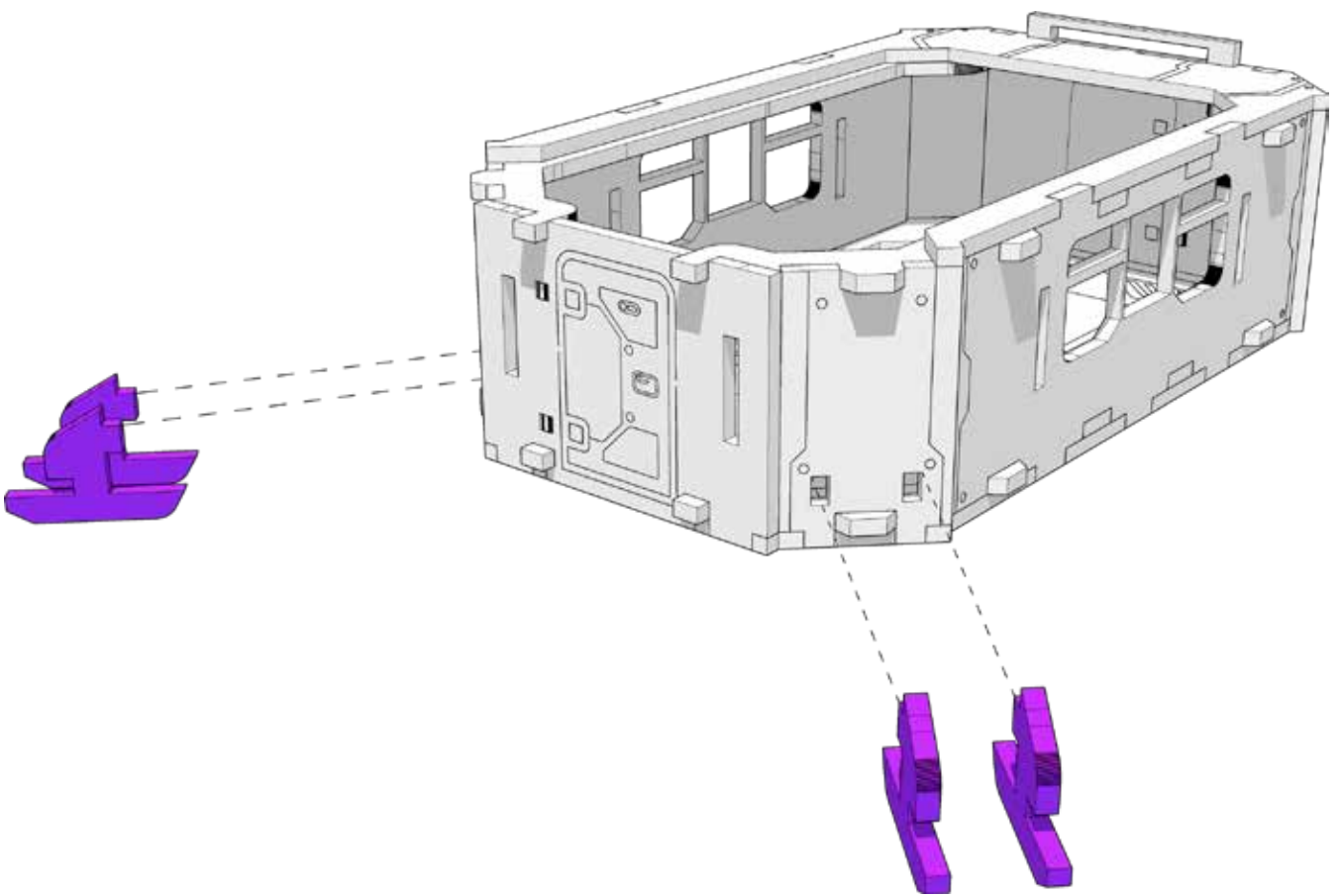
TABLETOP SCENICS

TTSCW-SFU-138

Mule:

Hab

16





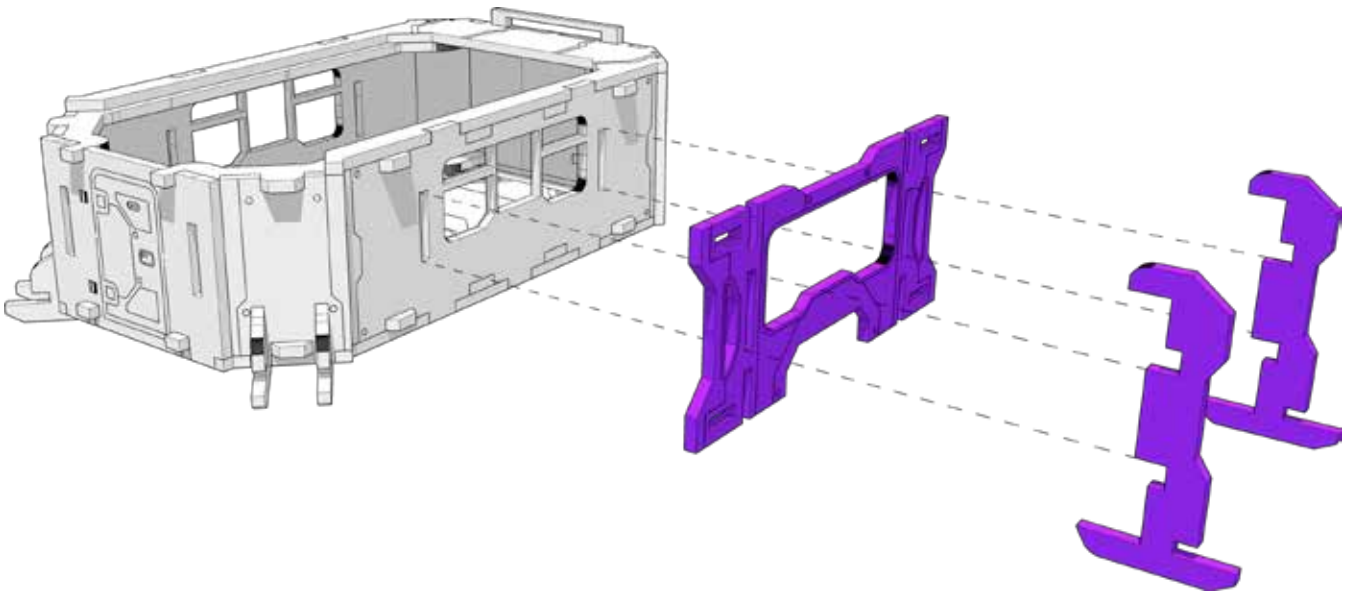
TABLETOP SCENICS

TTSCW-SFU-138

Mule:

Hab

17





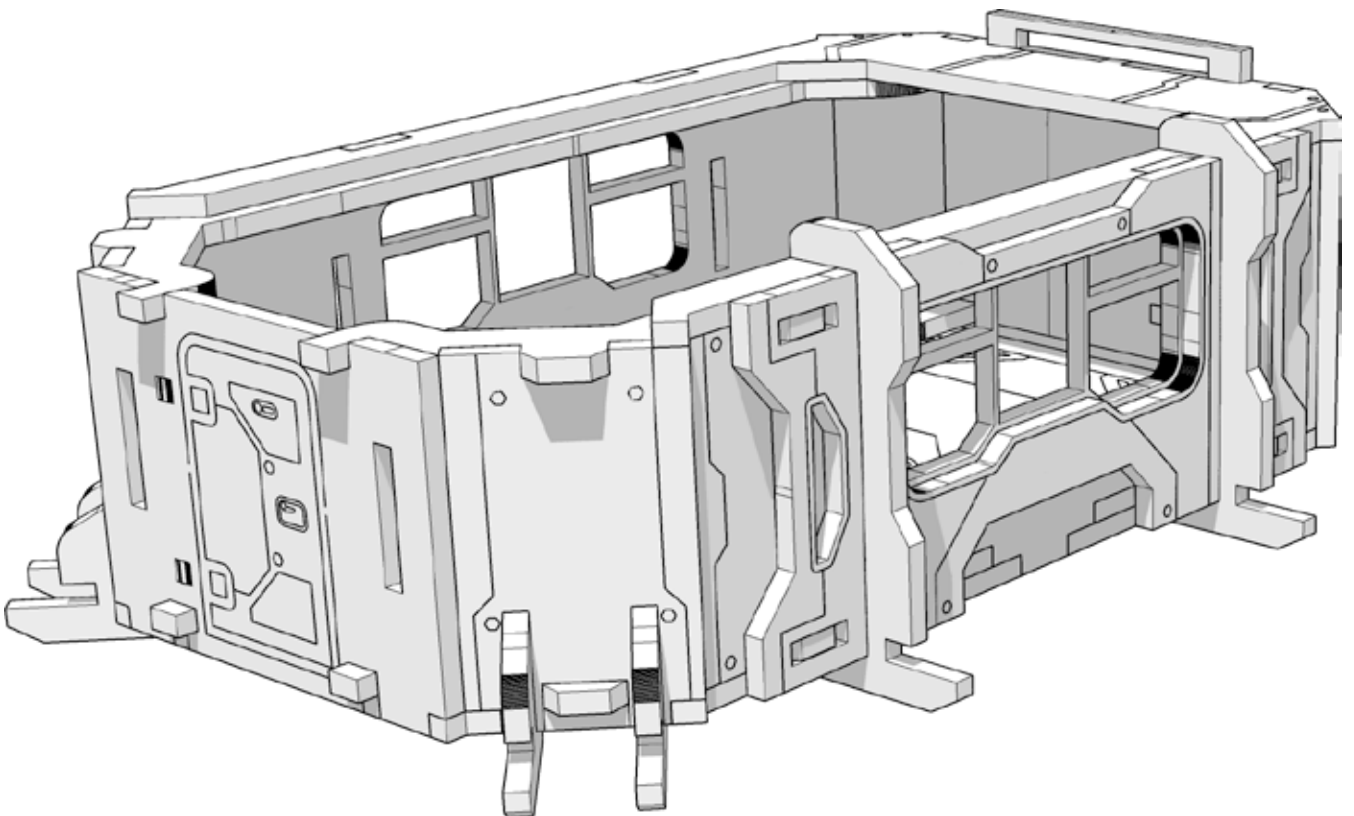
TABLETOP SCENICS

TTSCW-SFU-138

Mule:

Hab

18





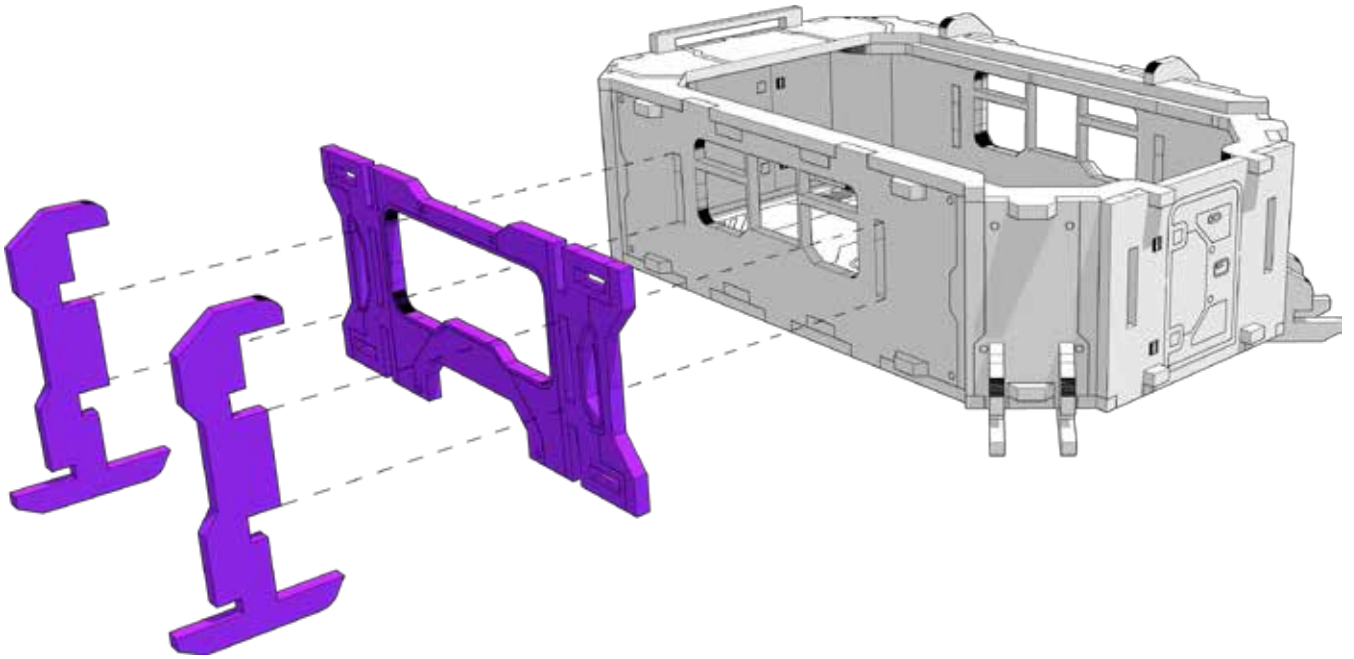
TABLETOP SCENICS

TTSCW-SFU-138

Mule:

Hab

19





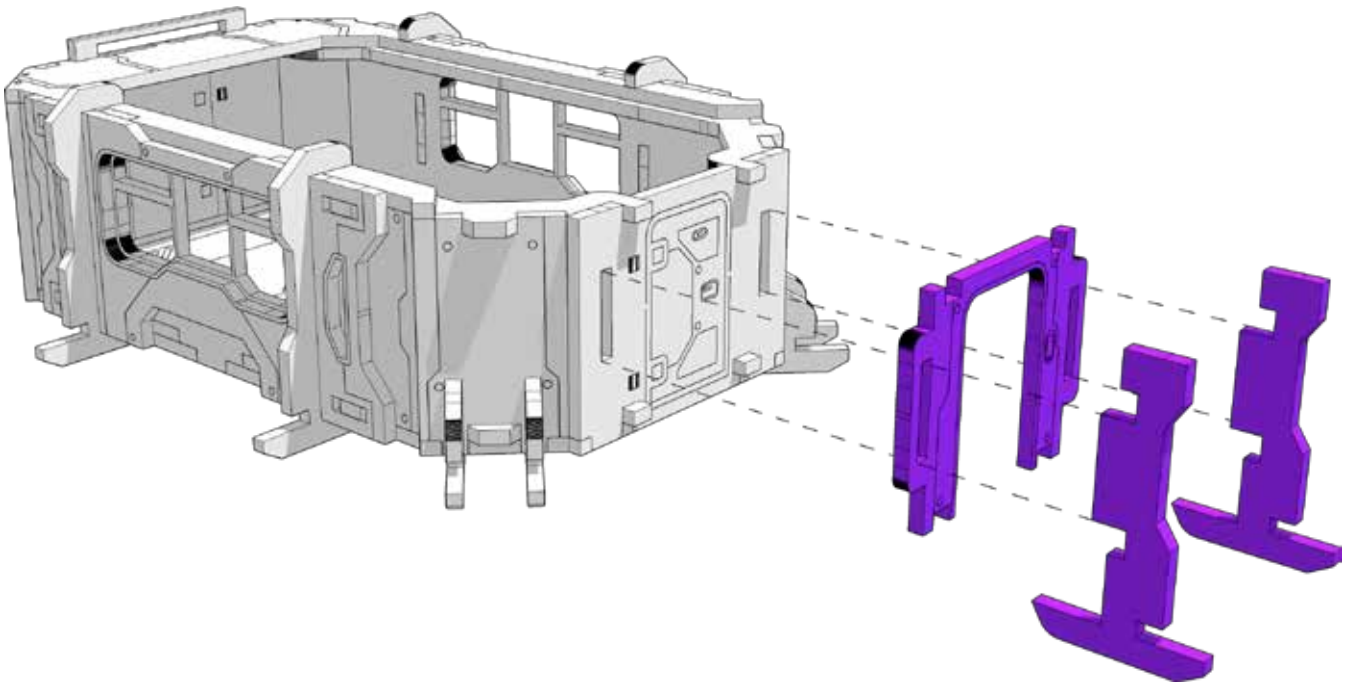
TABLETOP SCENICS

TTSCW-SFU-138

Mule:

Hab

20





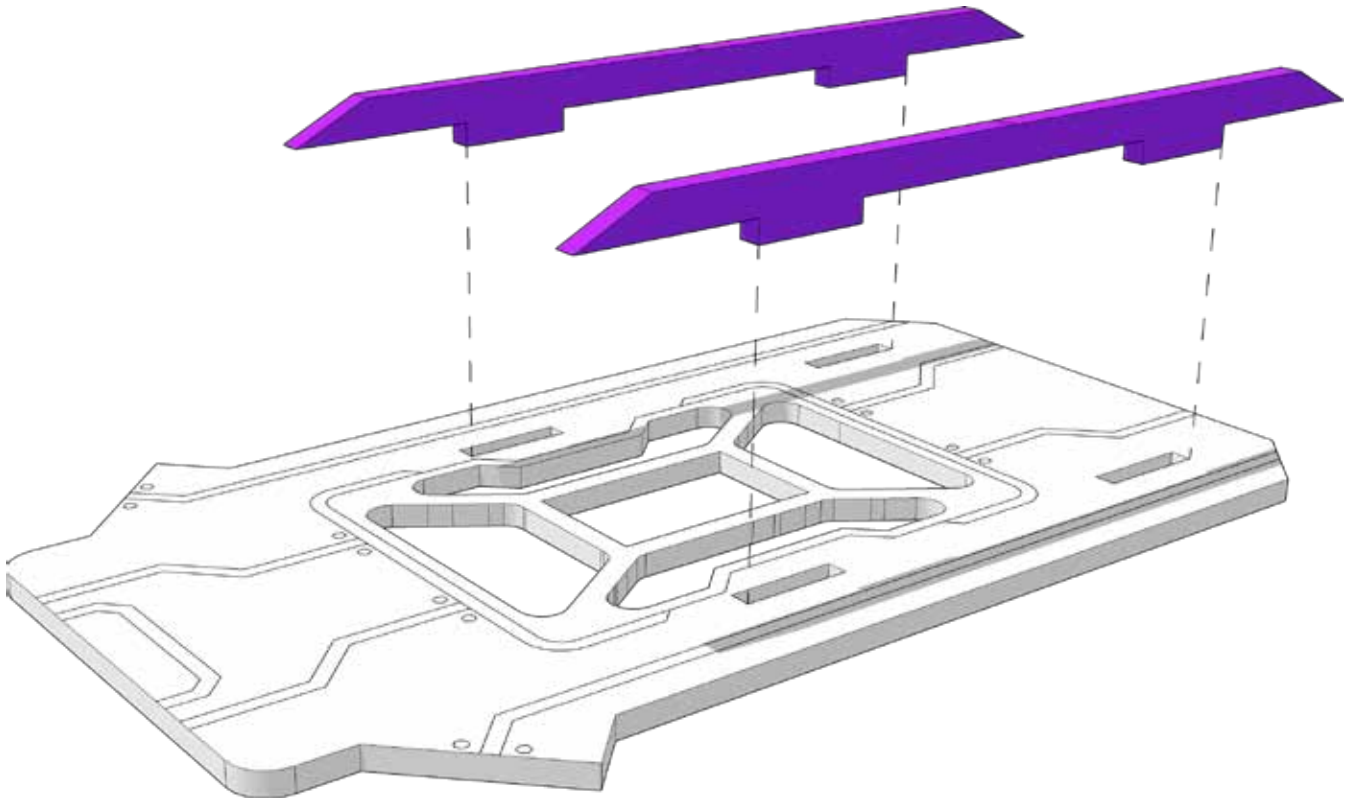
TABLETOP SCENICS

TTSCW-SFU-138

Mule:

Hab

21





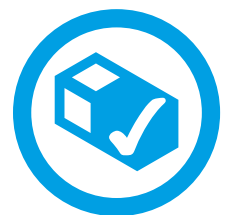
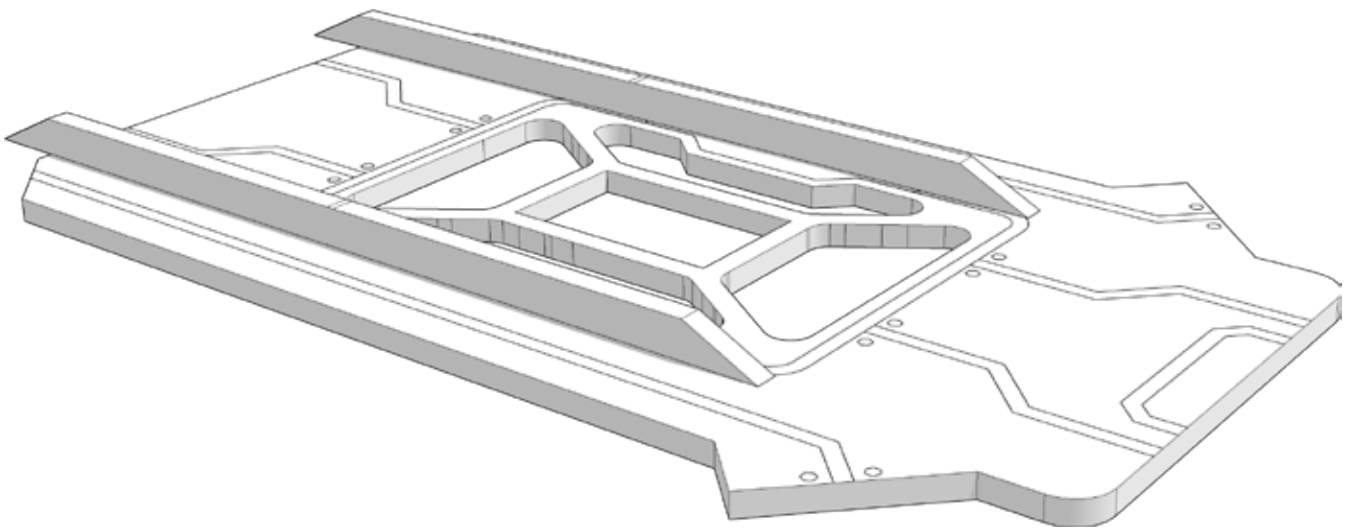
TABLETOP SCENICS

TTSCW-SFU-138

Mule:

Hab

22





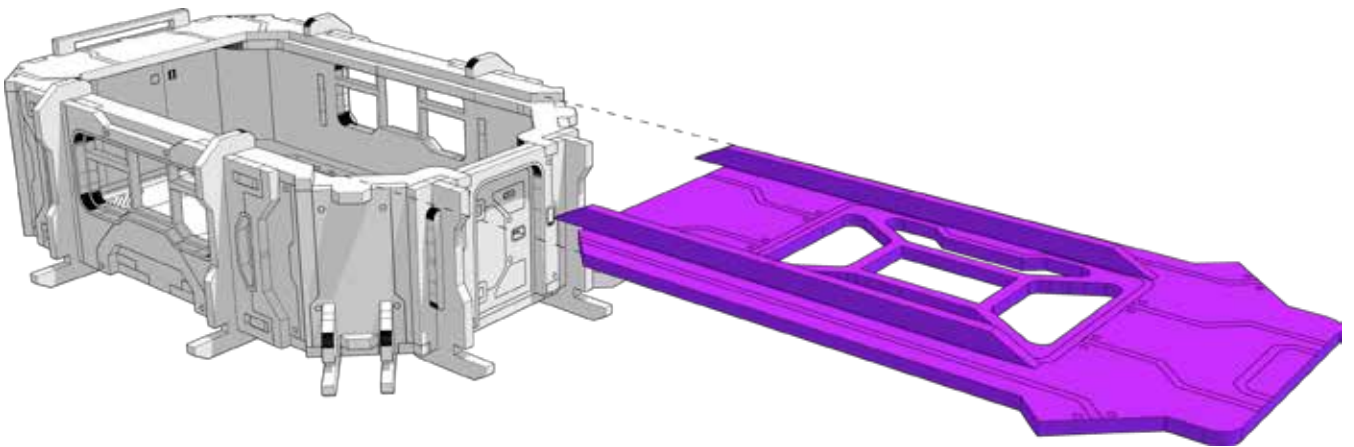
TABLETOP SCENICS

TTSCW-SFU-138

Mule:

Hab

23





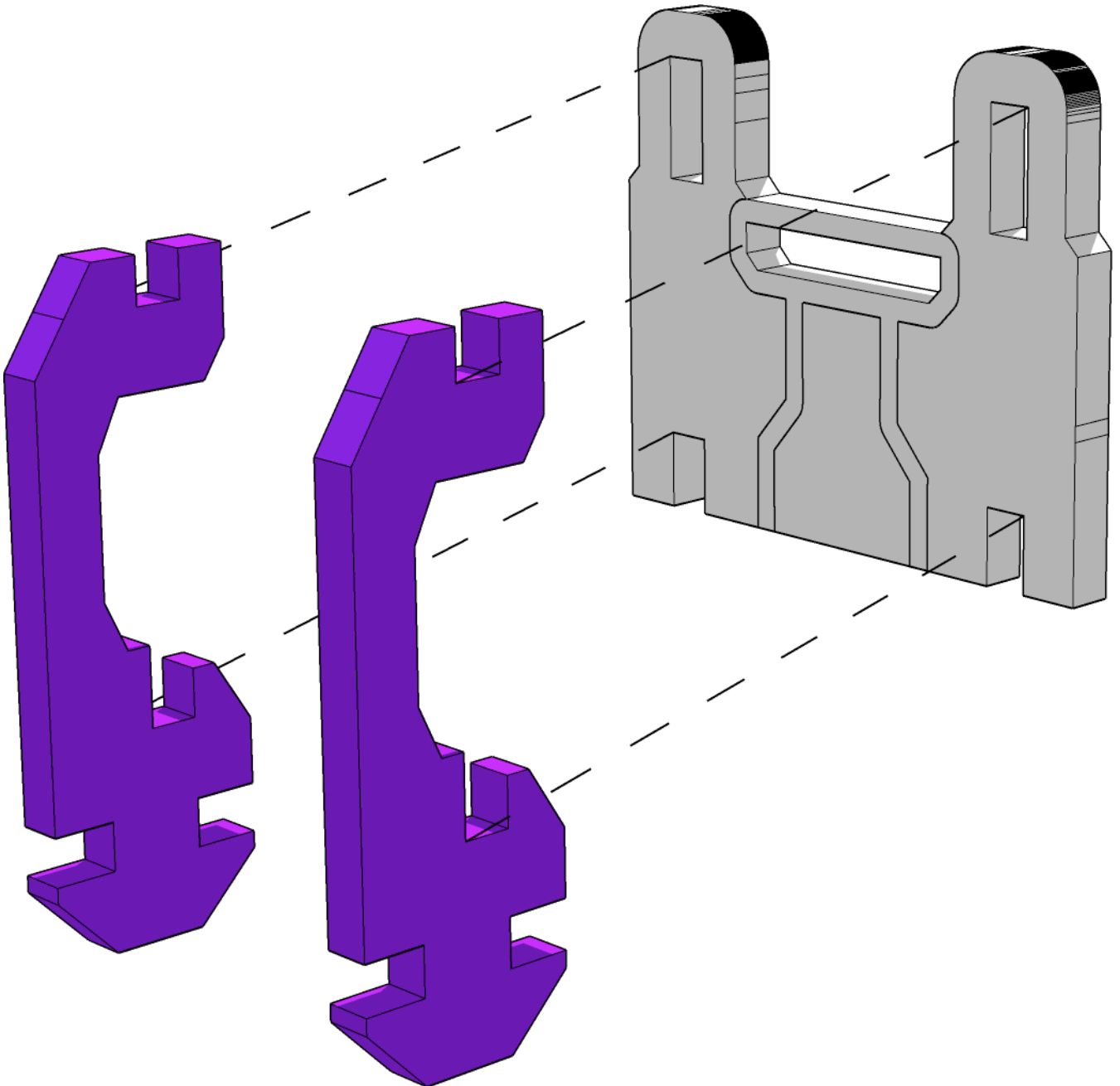
TABLETOP SCENICS

TTSCW-SFU-138

Mule:

Hab

24





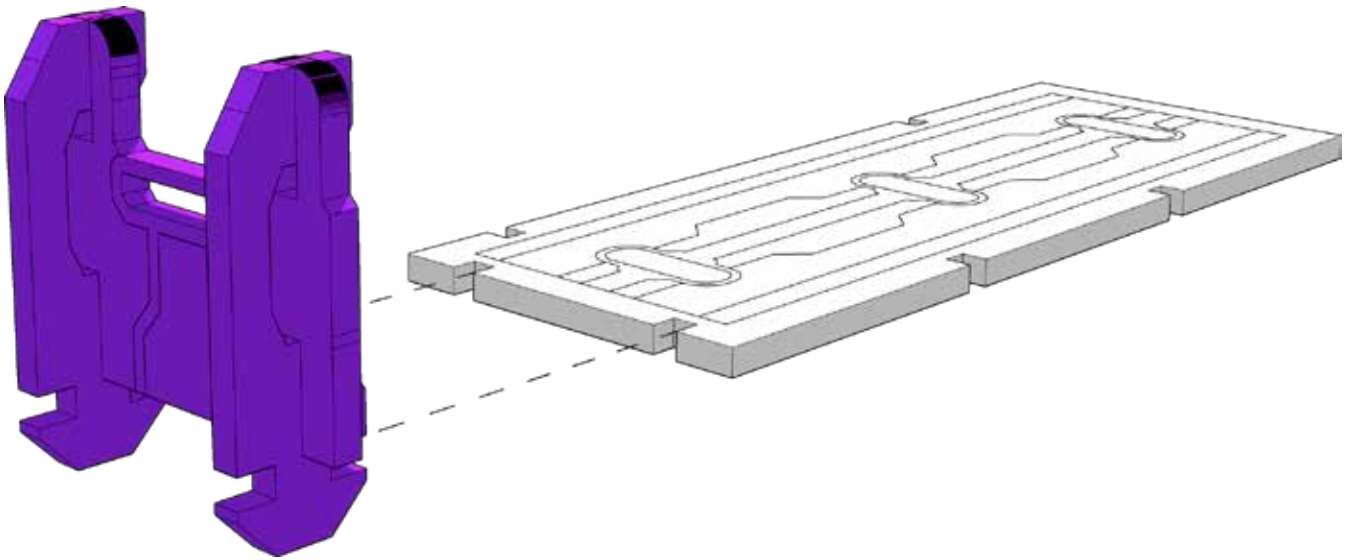
TABLETOP SCENICS

TTSCW-SFU-138

Mule:

Hab

25





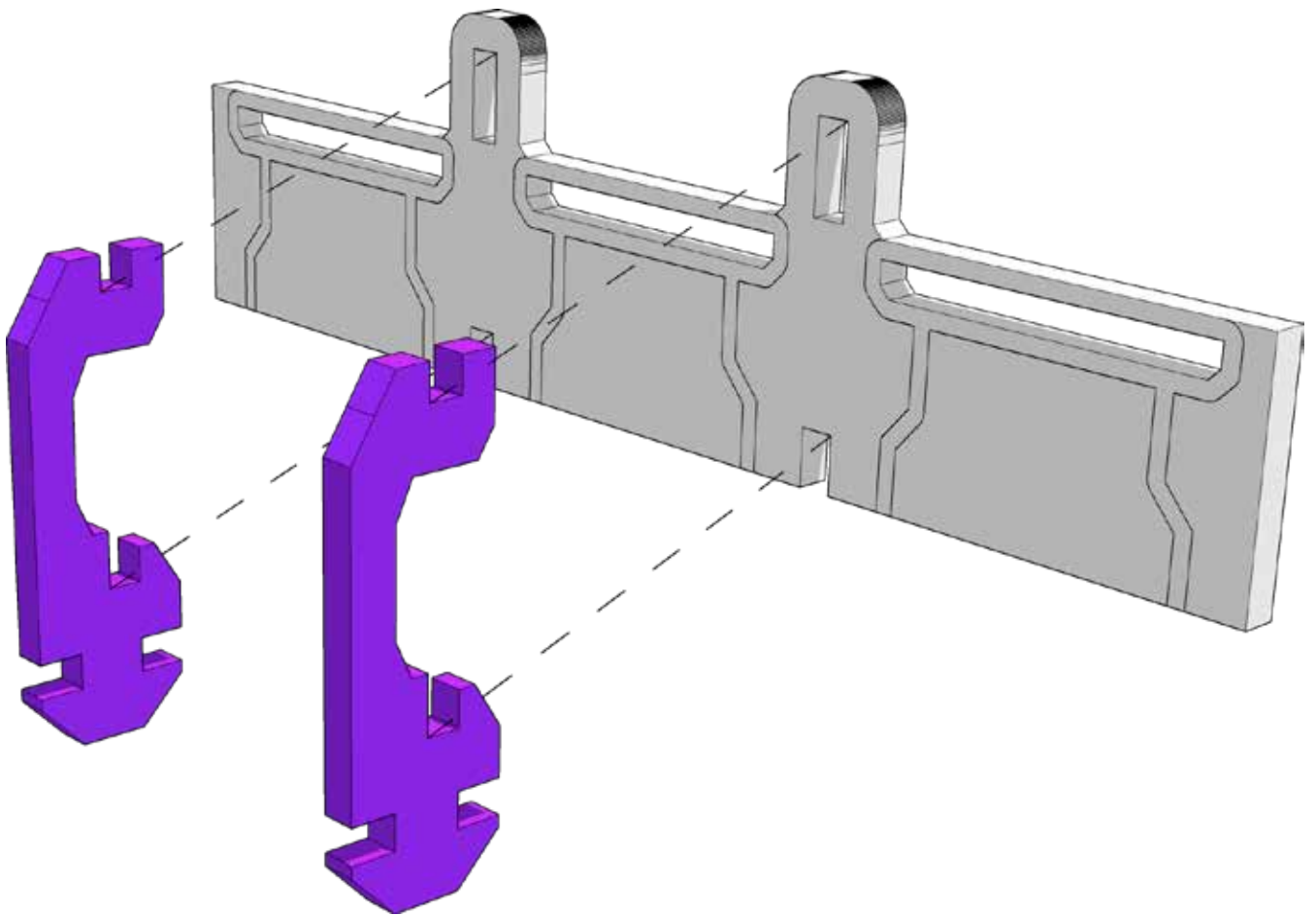
TABLETOP SCENICS

TTSCW-SFU-138

Mule:

Hab

26





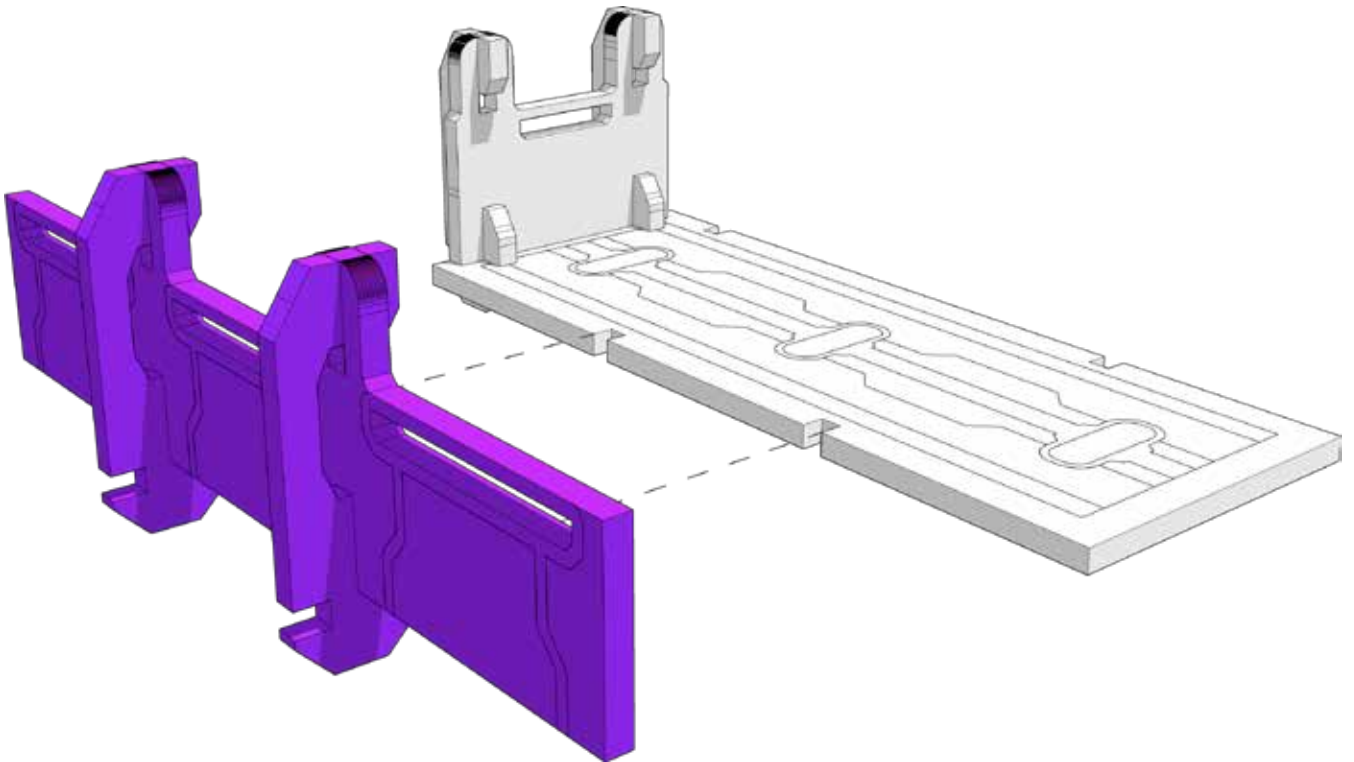
TABLETOP SCENICS

TTSCW-SFU-138

Mule:

Hab

27





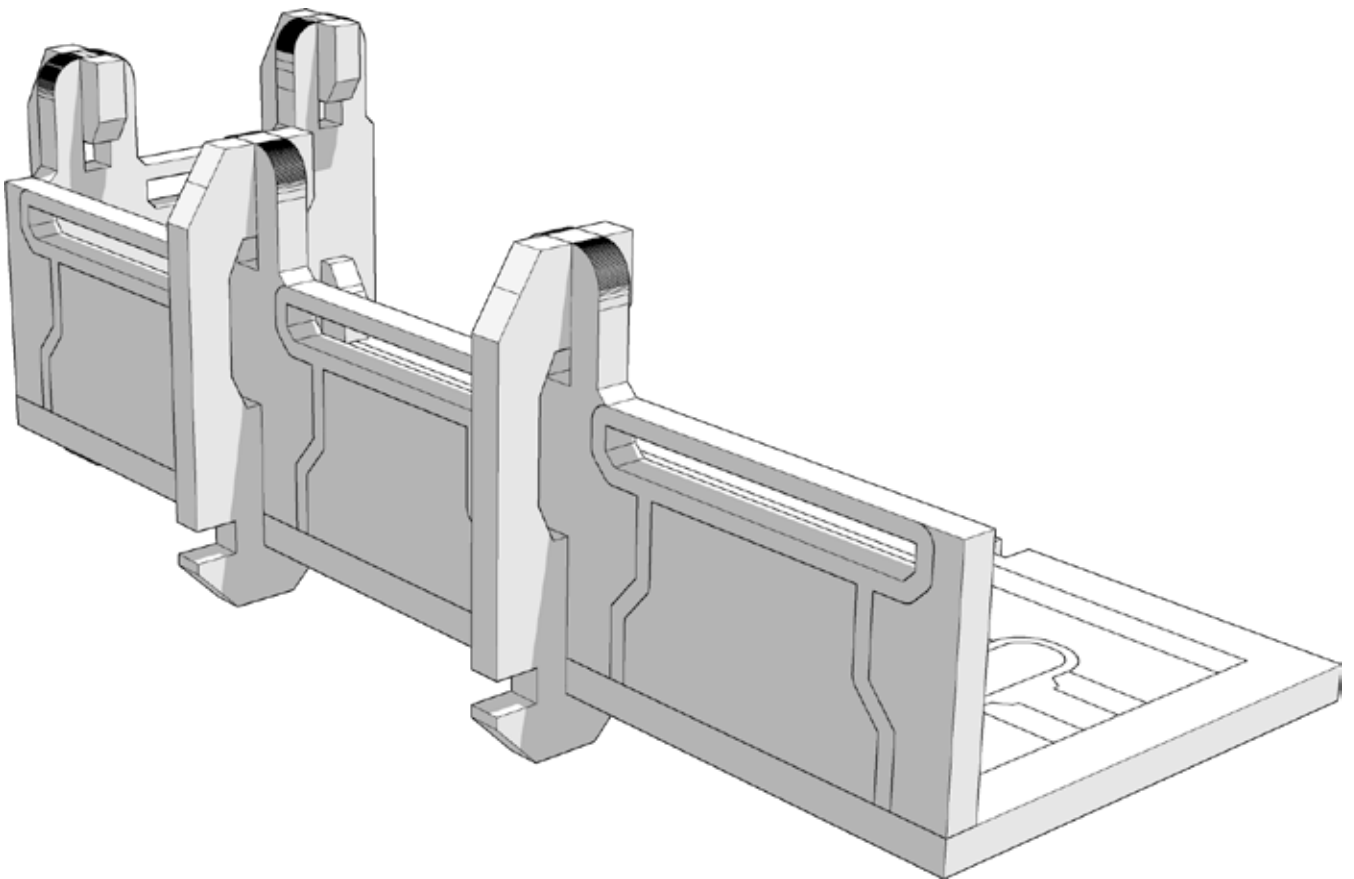
TABLETOP SCENICS

TTSCW-SFU-138

Mule:

Hab

28



Second version would be mirrored to
the one shown above. See next step





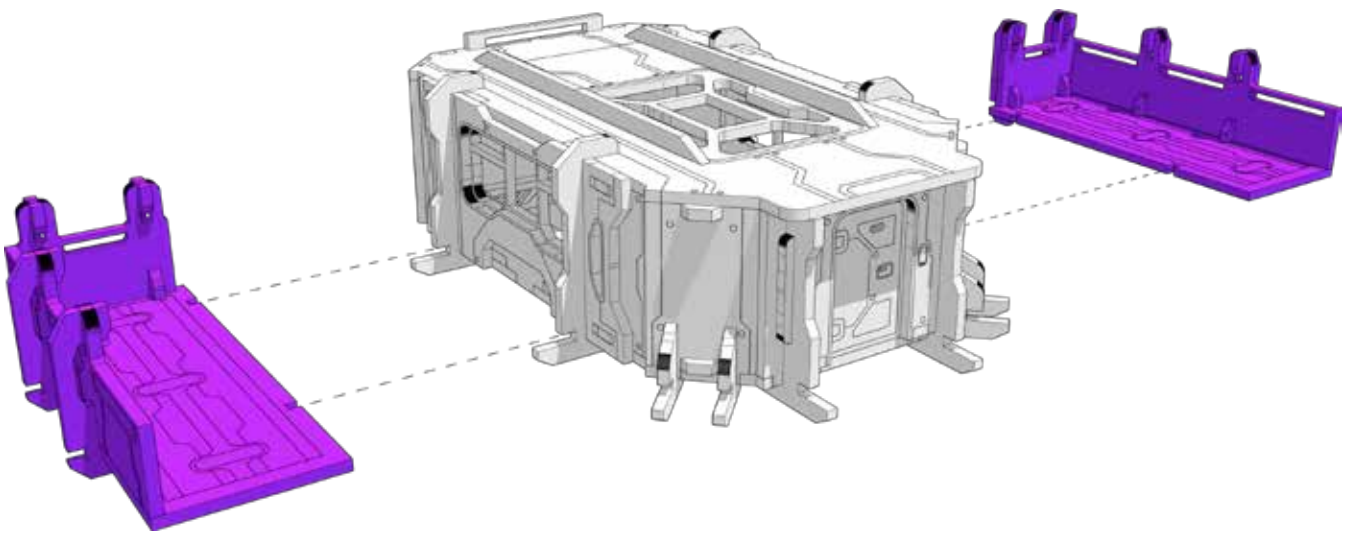
TABLETOP SCENICS

TTSCW-SFU-138

Mule:

Hab

29





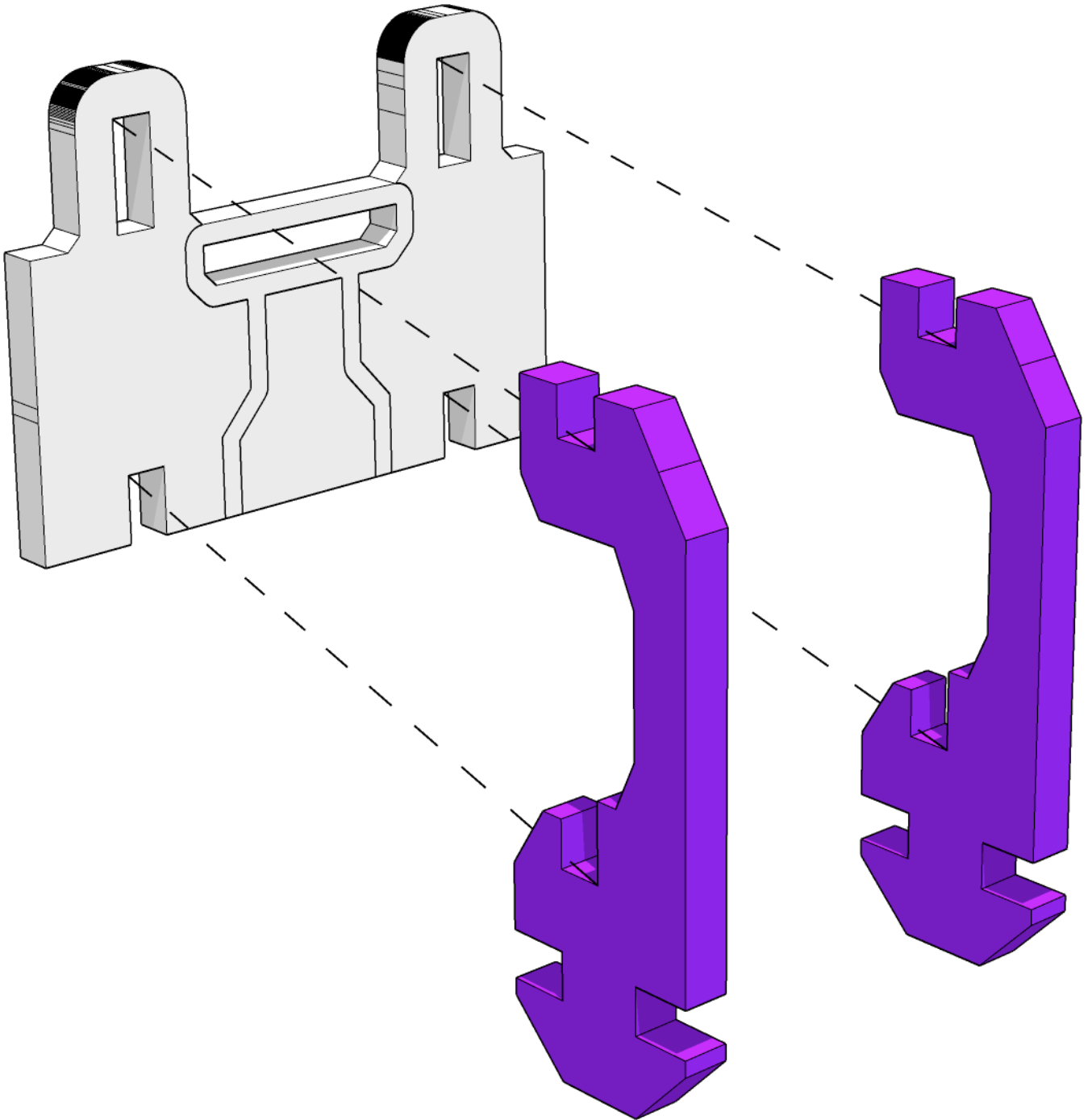
TABLETOP SCENICS

TTSCW-SFU-138

Mule:

Hab

30





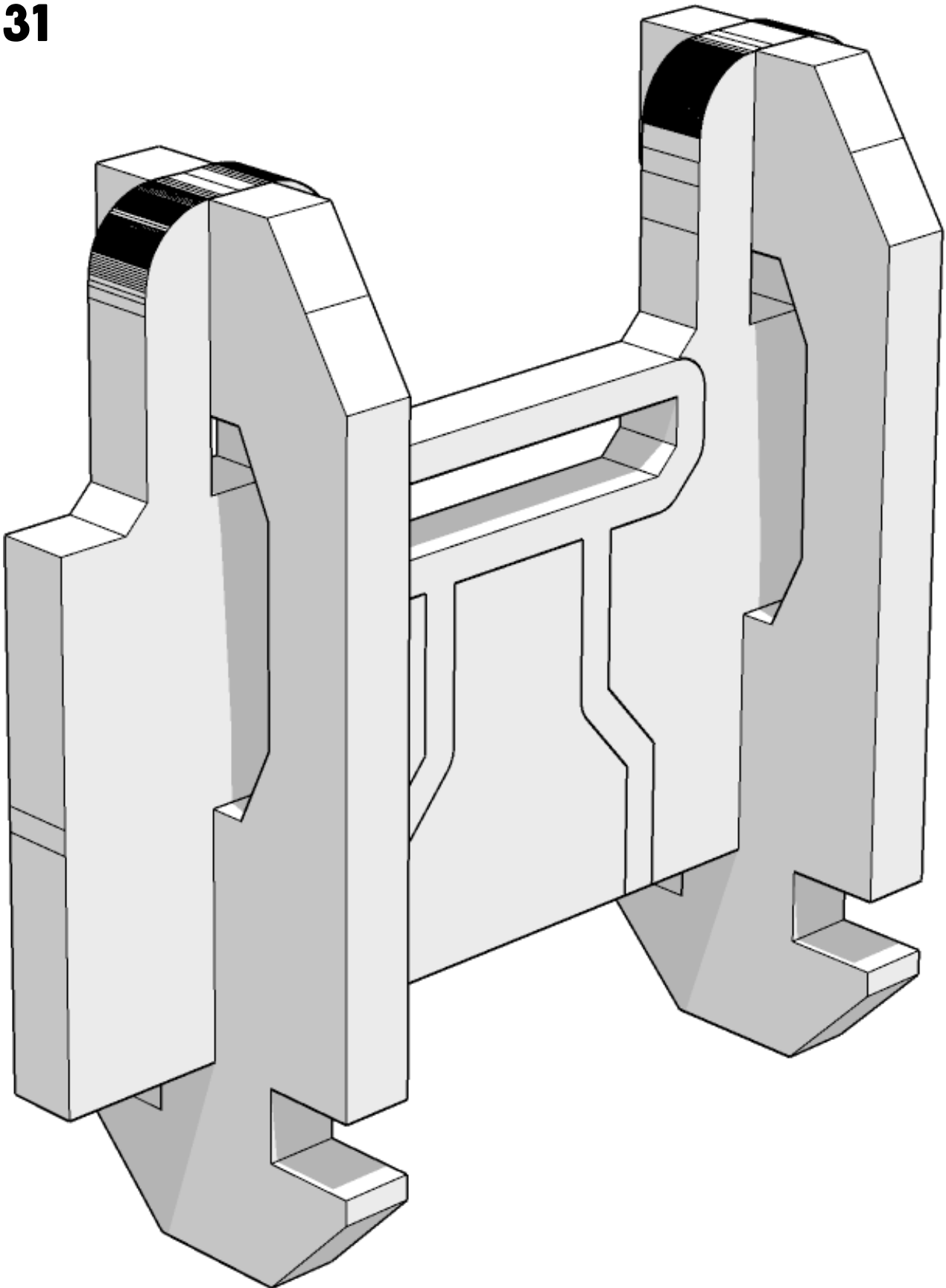
TABLETOP SCENICS

TTSCW-SFU-138

Mule:

Hab

31





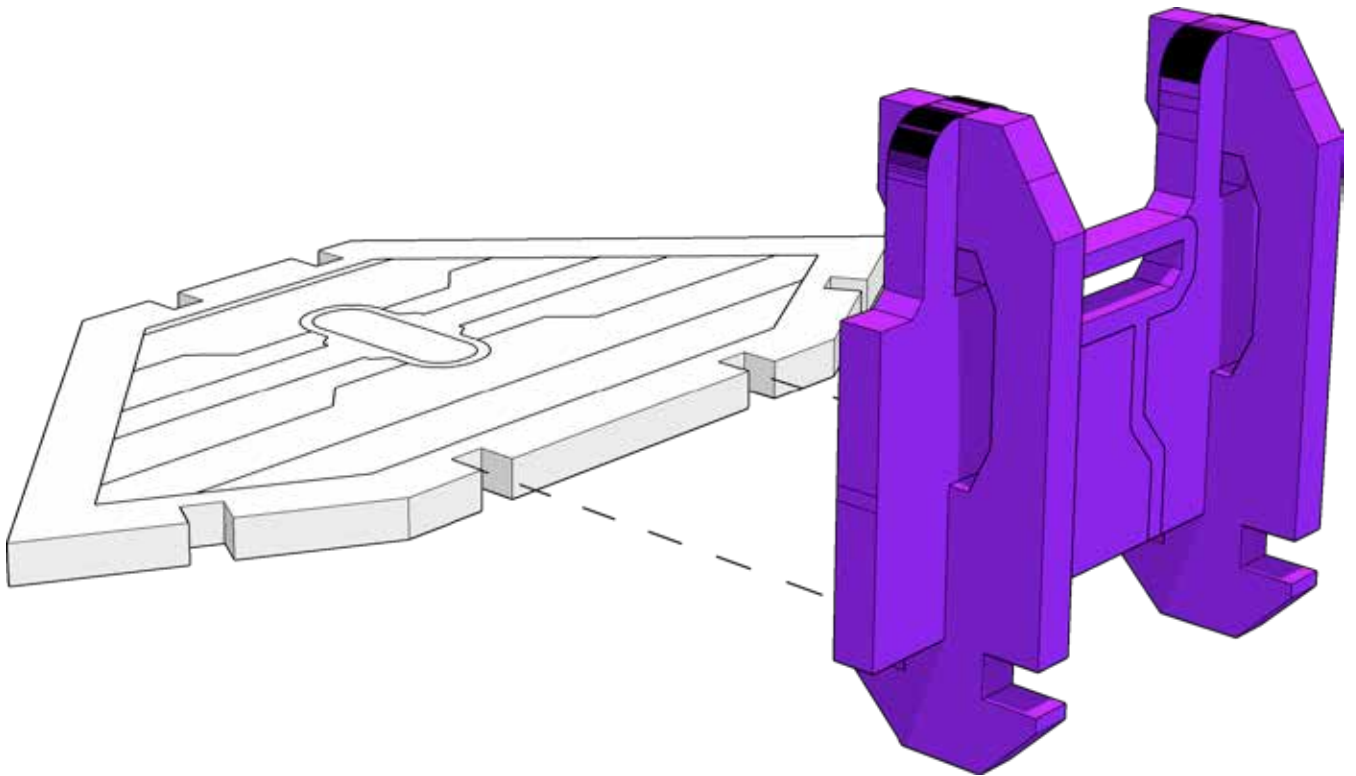
TABLETOP SCENICS

TTSCW-SFU-138

Mule:

Hab

32





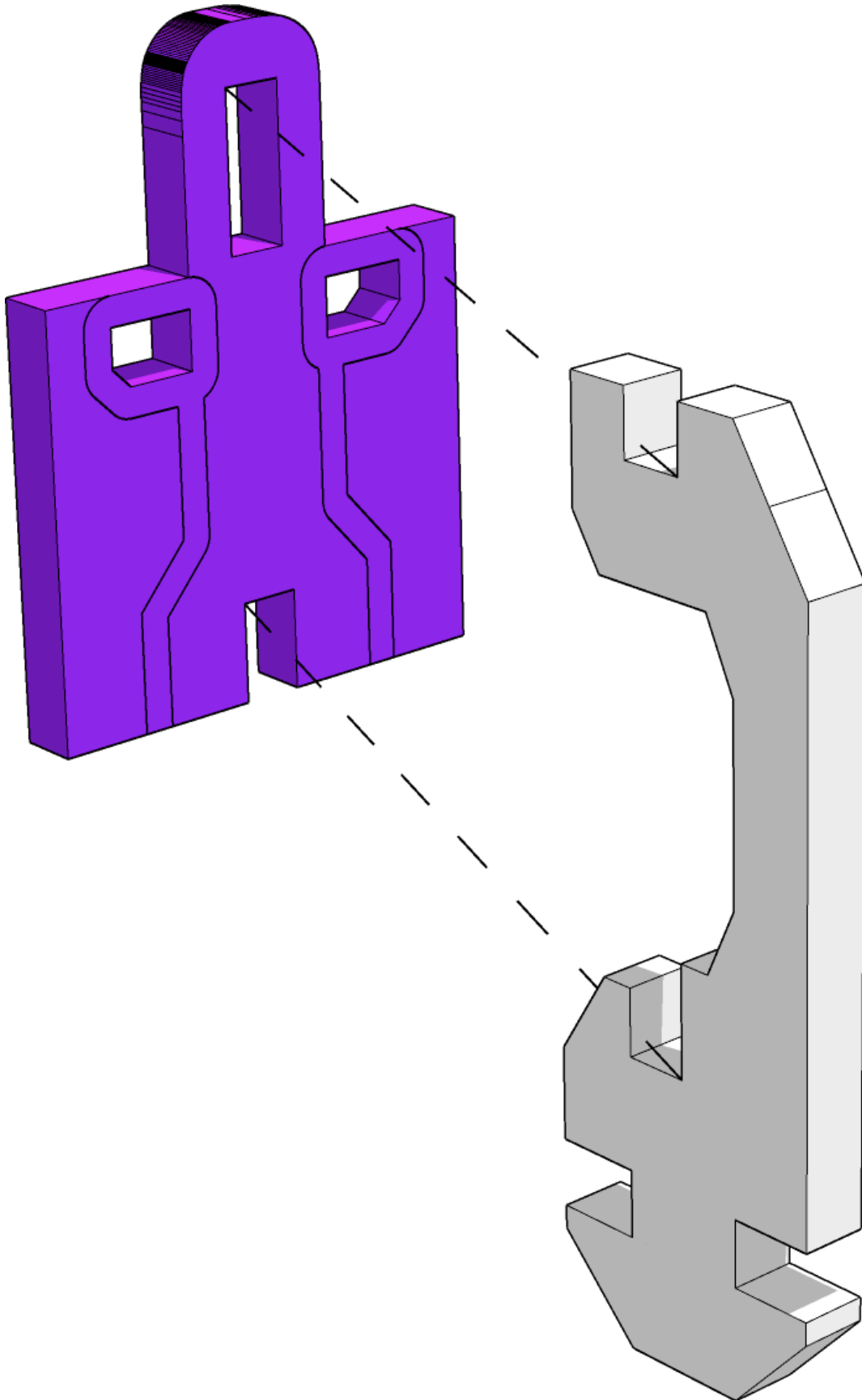
TABLETOP SCENICS

TTSCW-SFU-138

Mule:

Hab

33





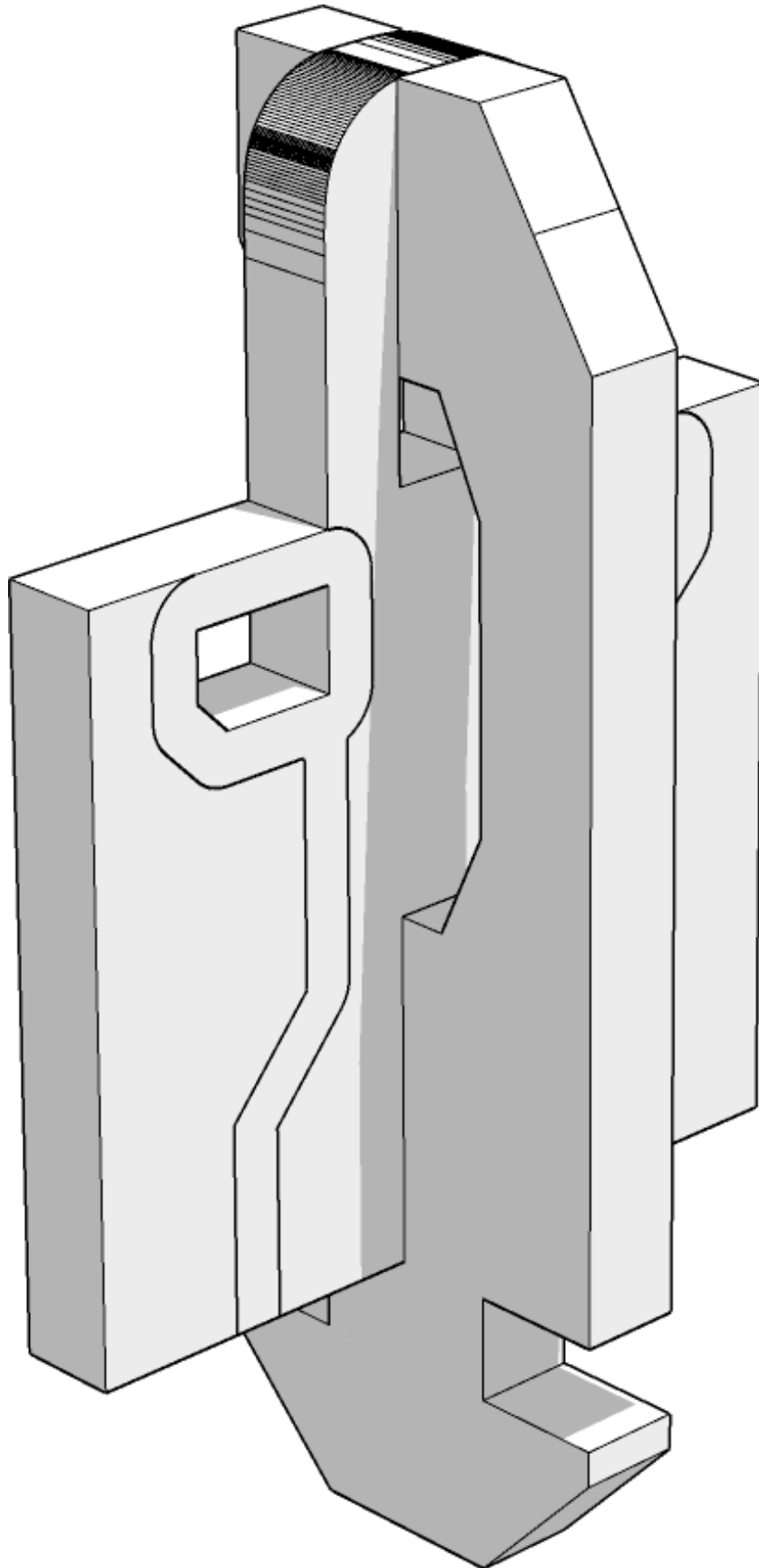
TABLETOP SCENICS

TTSCW-SFU-138

Mule:

Hab

34





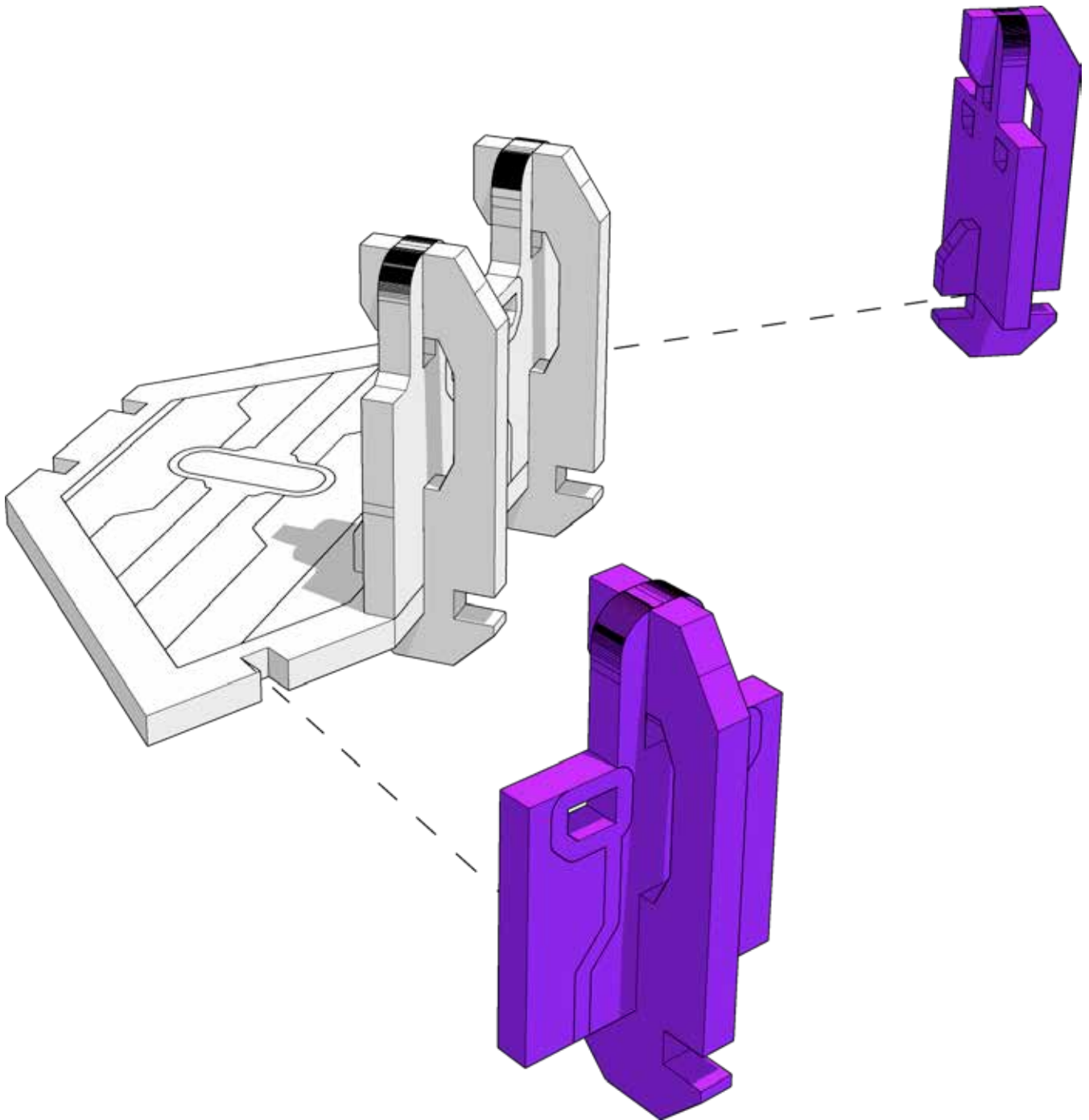
TABLETOP SCENICS

TTSCW-SFU-138

Mule:

Hab

35





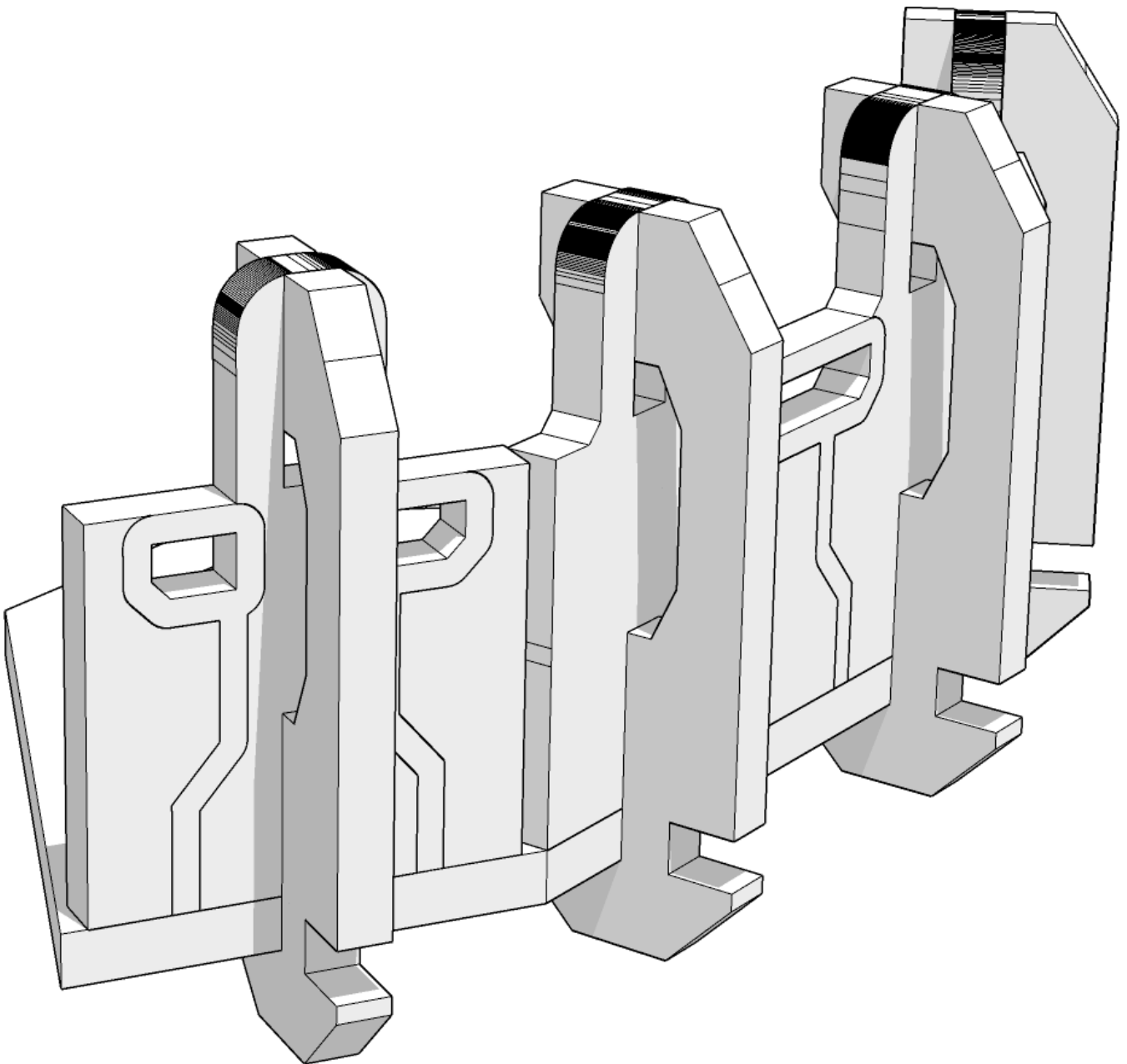
TABLETOP SCENICS

TTSCW-SFU-138

Mule:

Hab

36



x2



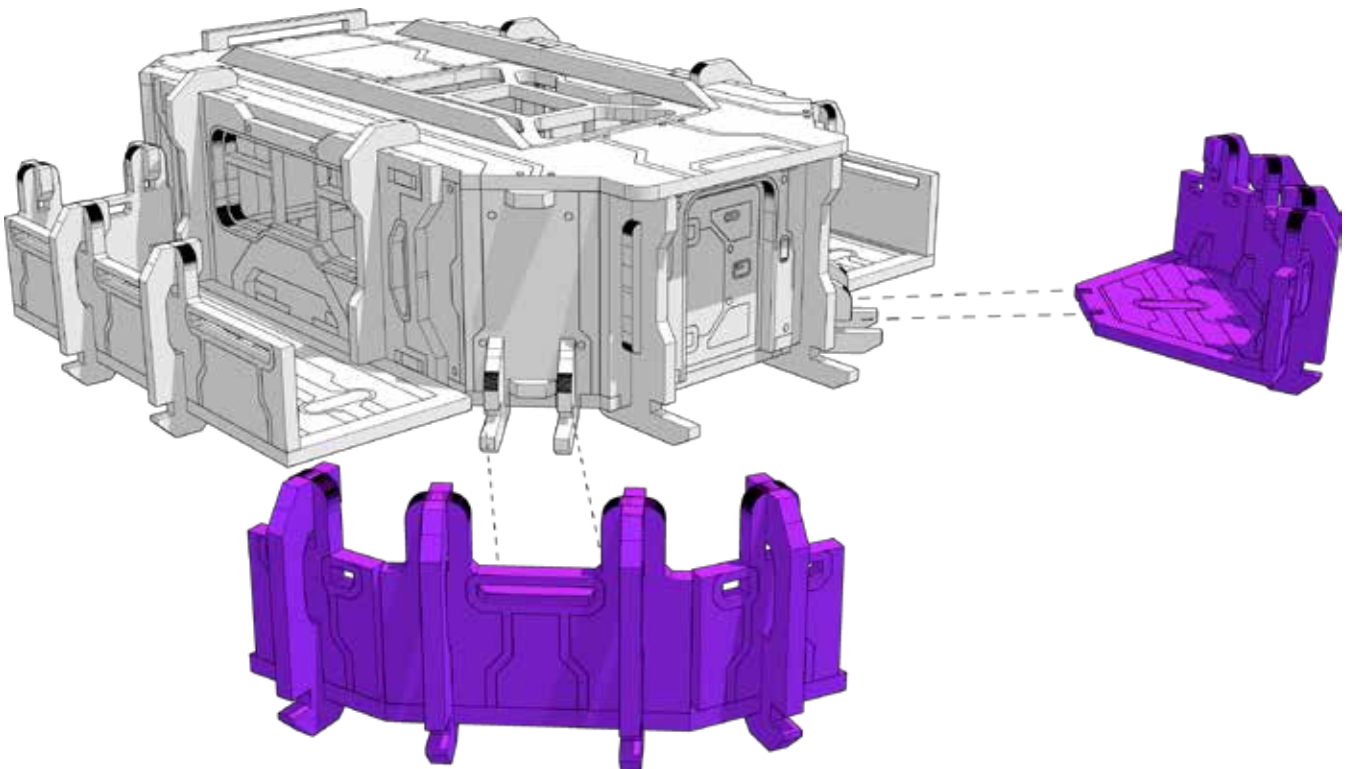
TABLETOP SCENICS

TTSCW-SFU-138

Mule:

Hab

37





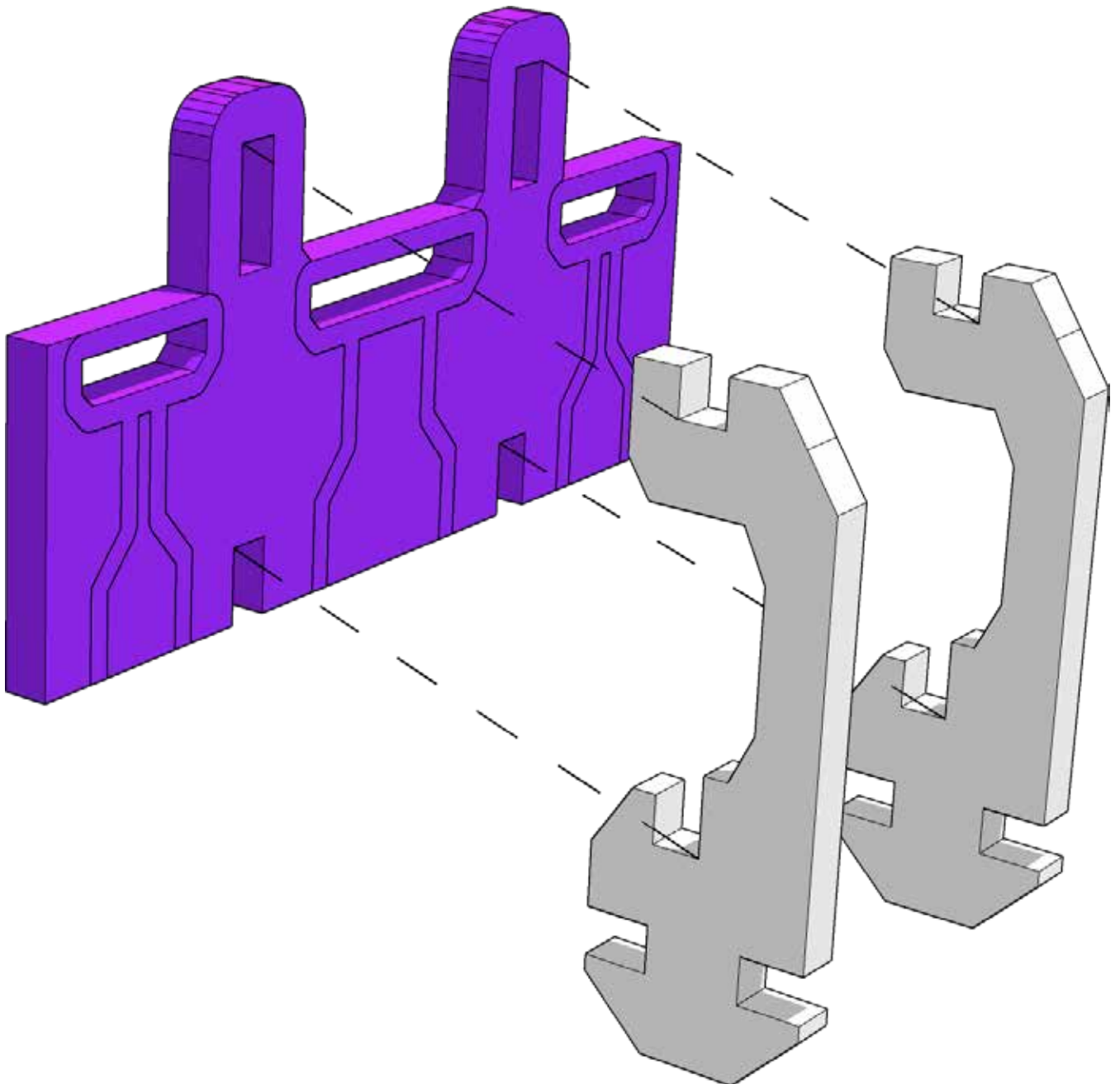
TABLETOP SCENICS

TTSCW-SFU-138

Mule:

Hab

38





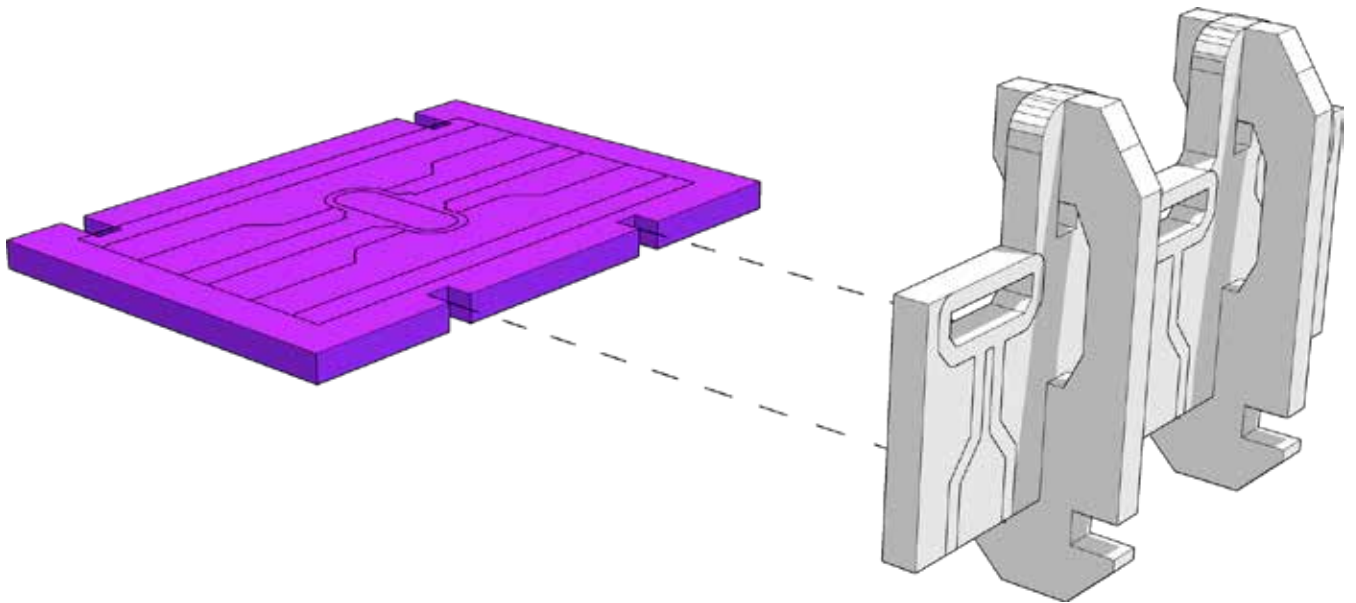
TABLETOP SCENICS

TTSCW-SFU-138

Mule:

Hab

39





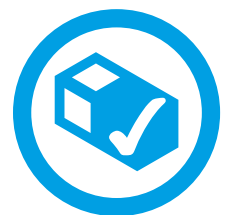
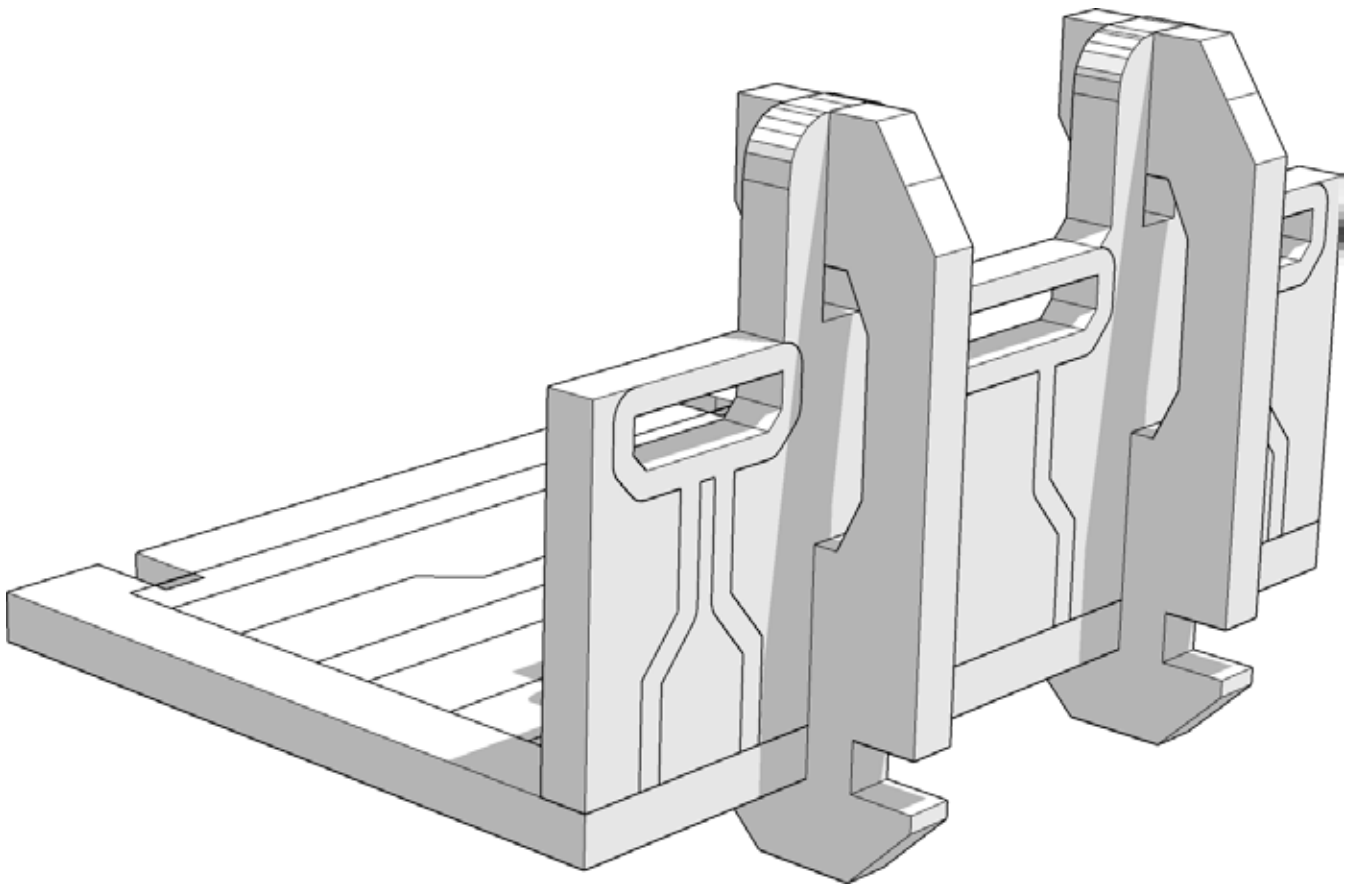
TABLETOP SCENICS

TTSCW-SFU-138

Mule:

Hab

40





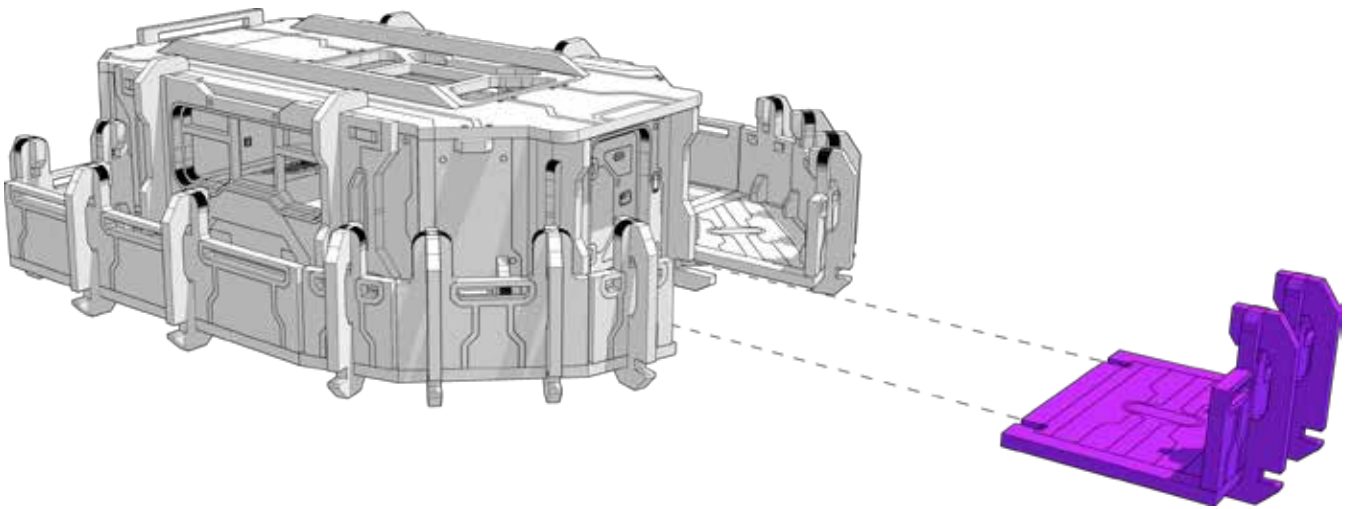
TABLETOP SCENICS

TTSCW-SFU-138

Mule:

Hab

41





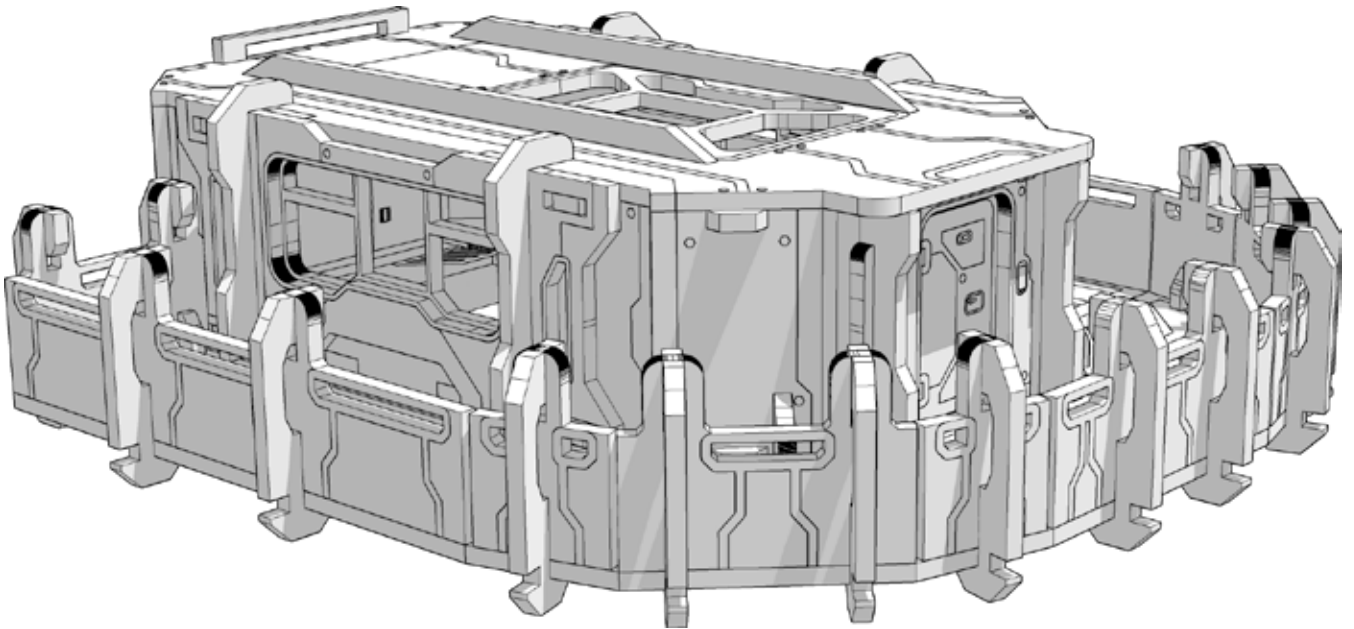
TABLETOP SCENICS

TTSCW-SFU-138

Mule:

Hab

42



x2



TABLETOP SCENICS

TTSCW-SFU-138

Mule:

Hab

43

