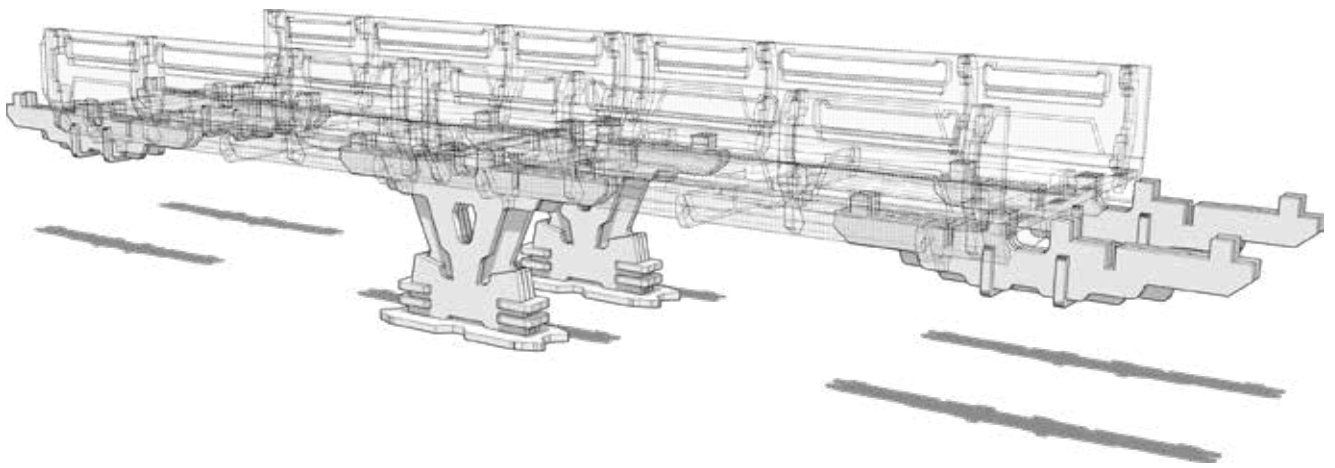




TABLETOP SCENICS

TTSCW-SFU-127
ELMOR:
Skylevel Legs Low



 **TTCOMBAT**



TABLETOP SCENICS

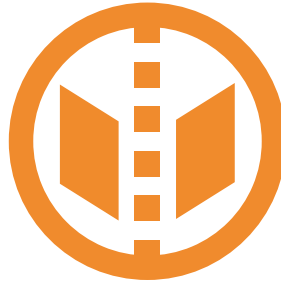
TTSCW-SFU-127
ELMOR:
Skylevel Legs Low

2

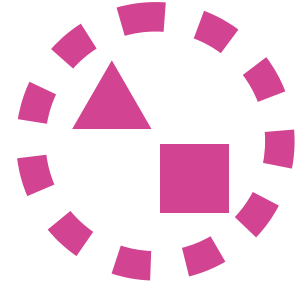
These are a series of icons that may be used throughout the instructions to help your assembly.
If in doubt, scroll ahead to confirm.



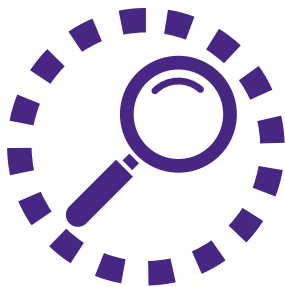
Do not glue this part



Carefully score and
fold this part



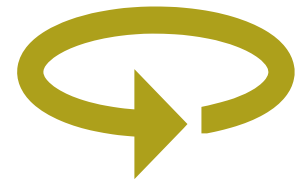
This part - or its placement is
completely optional



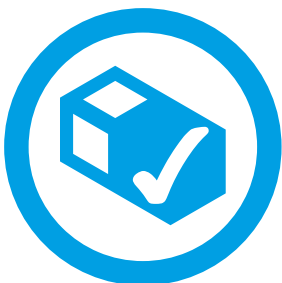
Look closely at this step -
The process order or part
used, may be specific



Repeat making this part
the specified number
of times



The next instruction step
will be the same assembly
so far, but from a different
angle



Sub-assembly complete.
This smaller construction
is ready to add to the
main kit



Assembly Complete! There
could be more optional
parts - check to the very end
of instructions



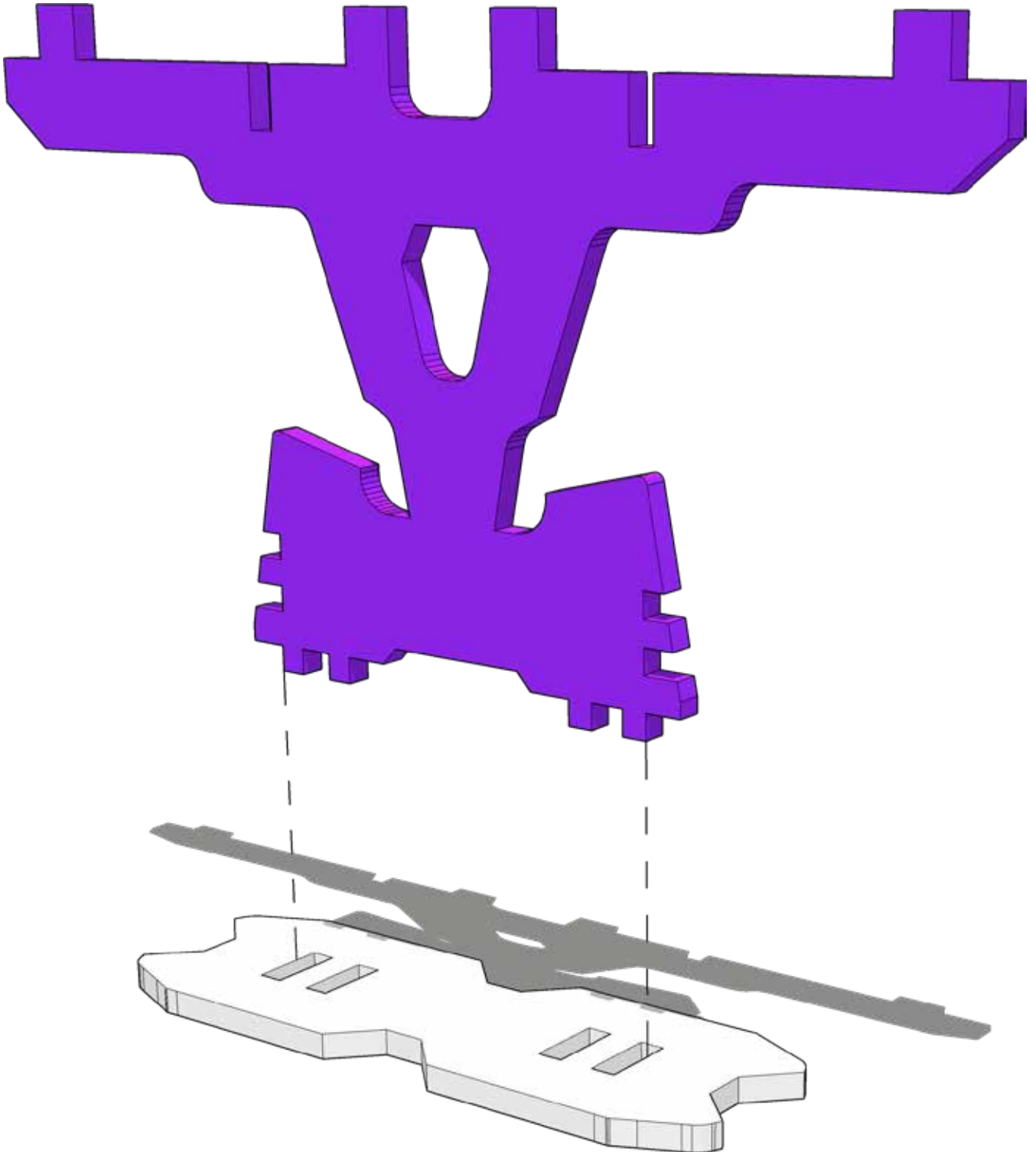
FRAGILE: DO NOT BEND.
“Bendy wood” is designed to
curve around a designed
frame only.



TABLETOP SCENICS

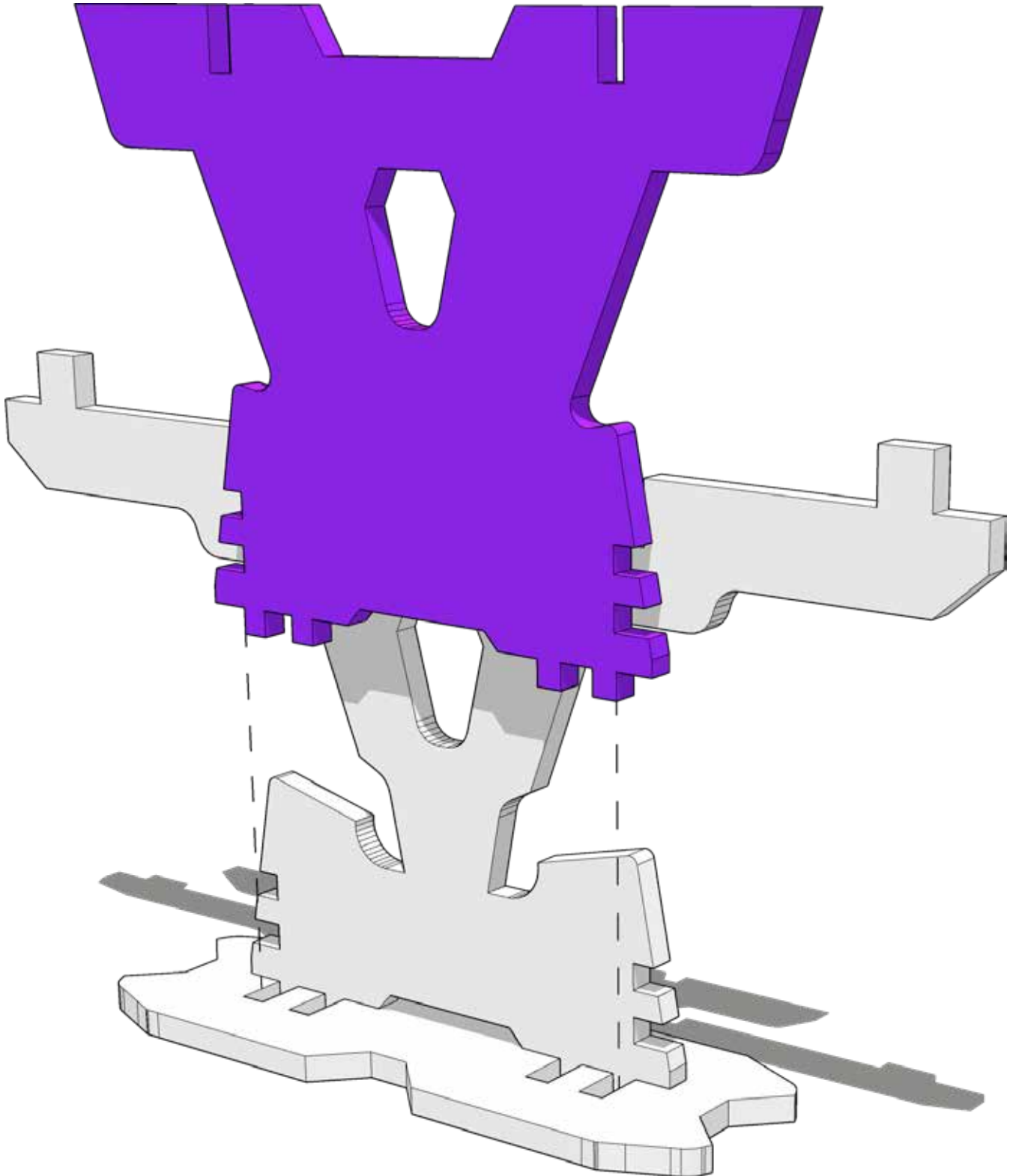
TTSCW-SFU-127
ELMOR:
Skylevel Legs Low

3





4

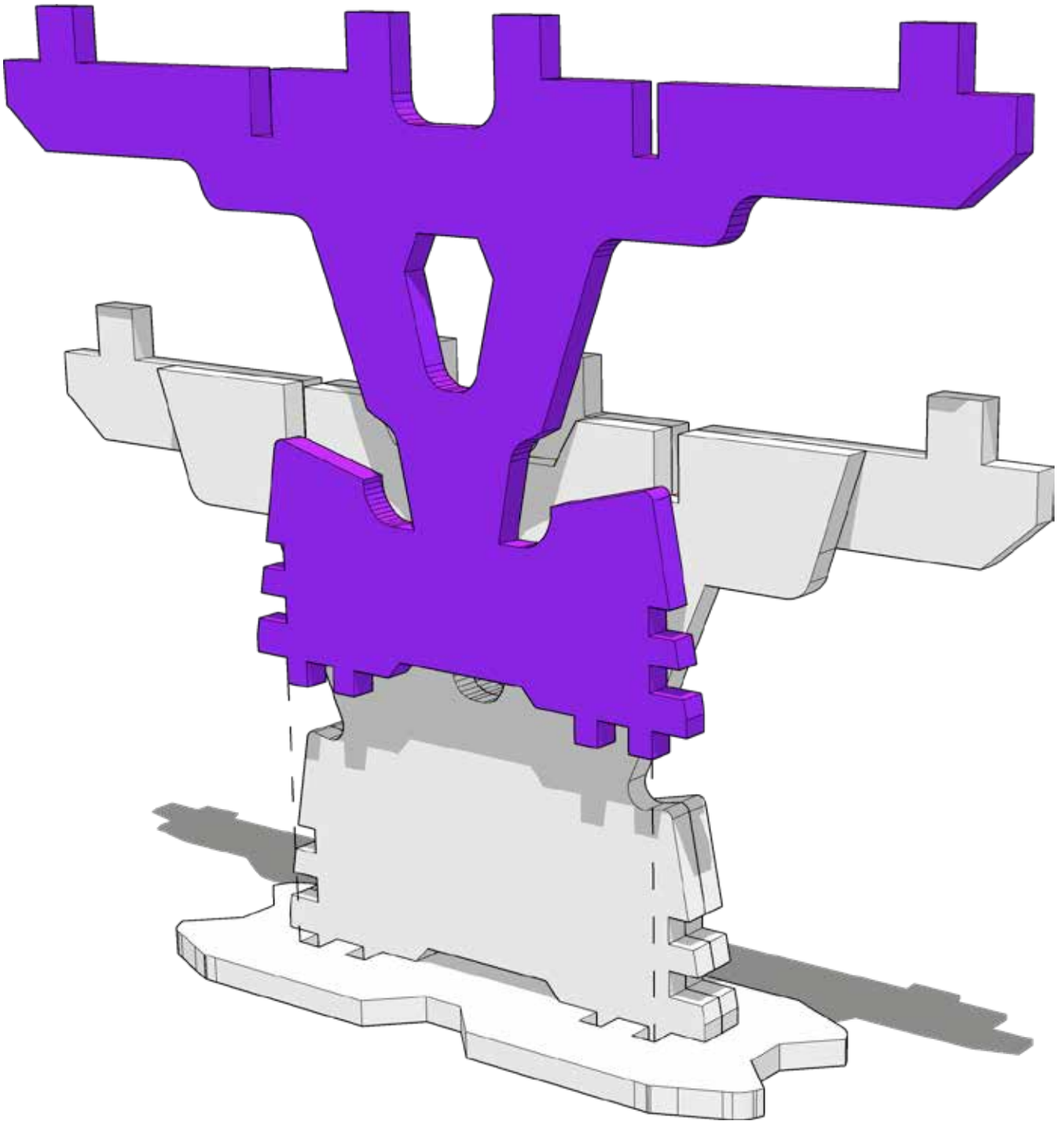




TABLETOP SCENICS

TTSCW-SFU-127
ELMOR:
Skylevel Legs Low

5

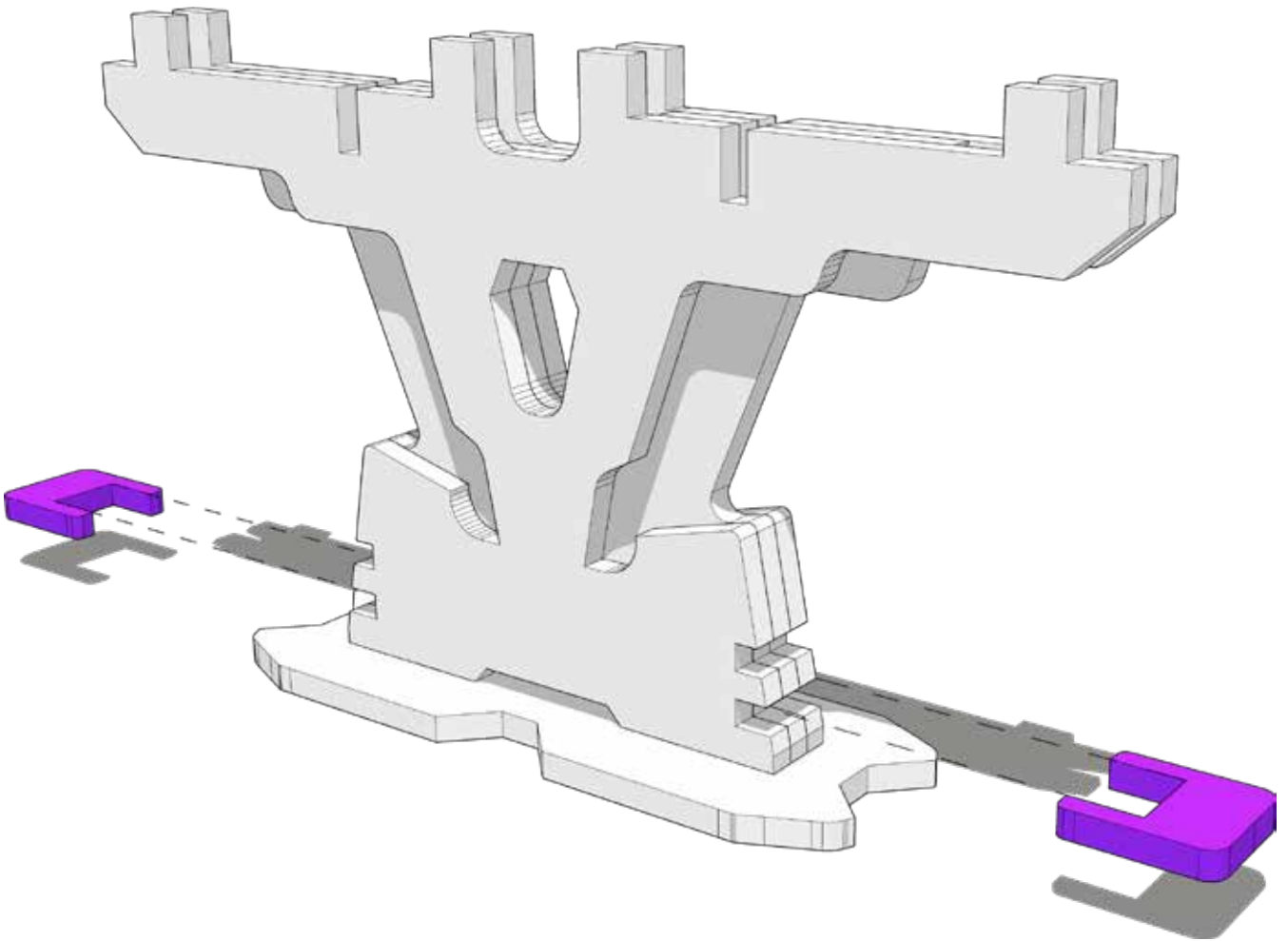




TABLETOP SCENICS

TTSCW-SFU-127
ELMOR:
Skylevel Legs Low

6

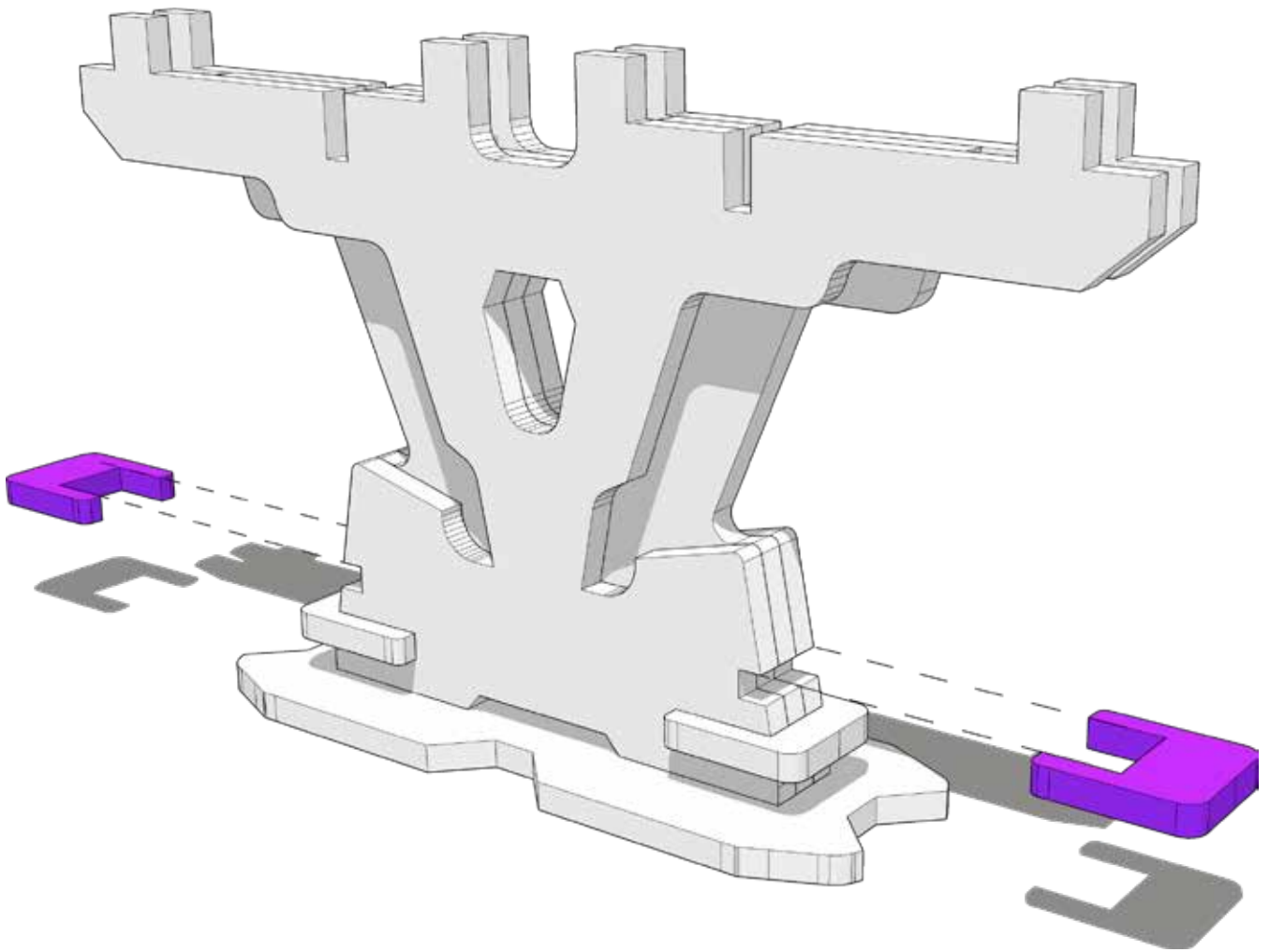




TABLETOP SCENICS

TTSCW-SFU-127
ELMOR:
Skylevel Legs Low

7

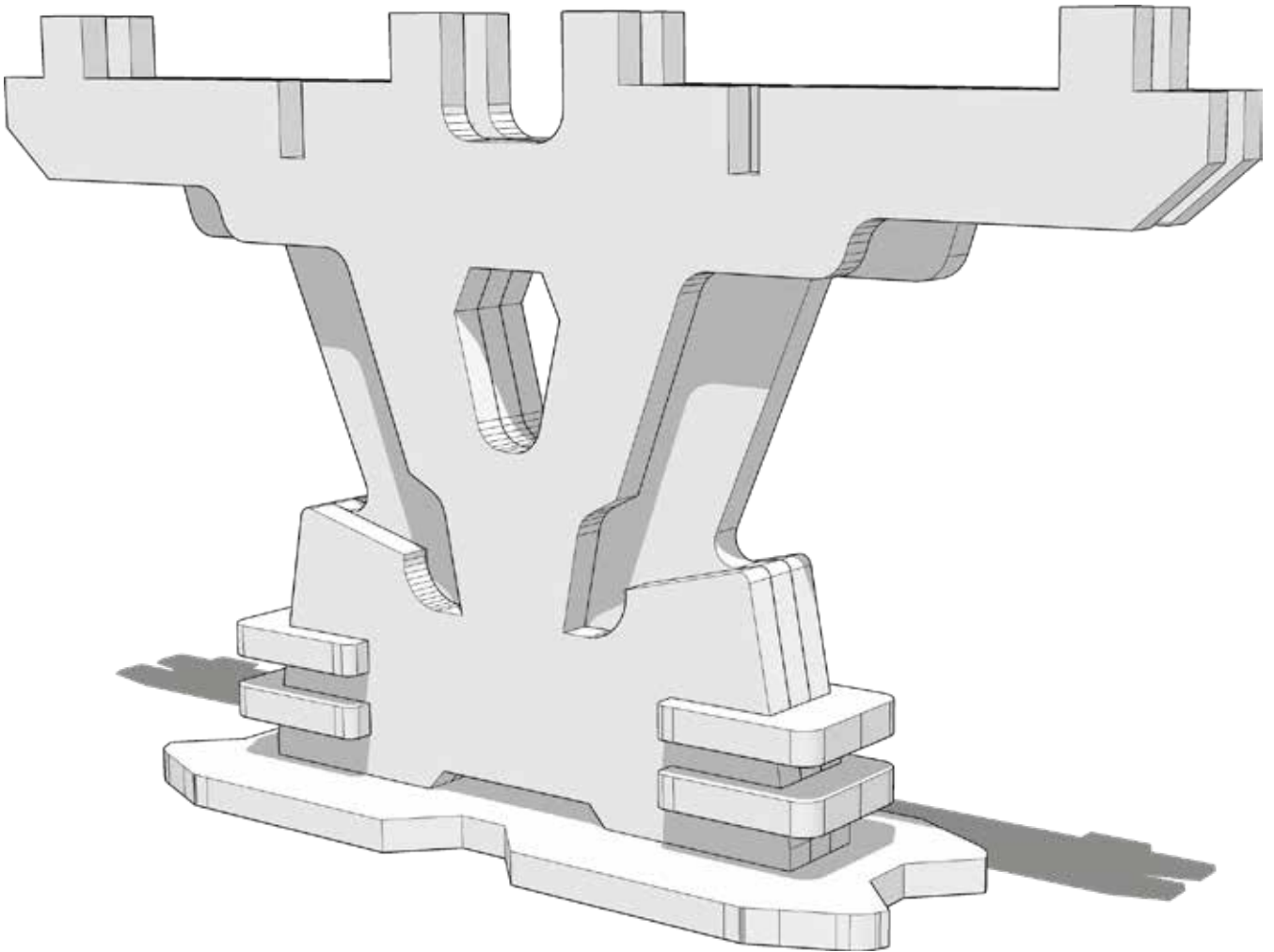




TABLETOP SCENICS

TTSCW-SFU-127
ELMOR:
Skylevel Legs Low

8



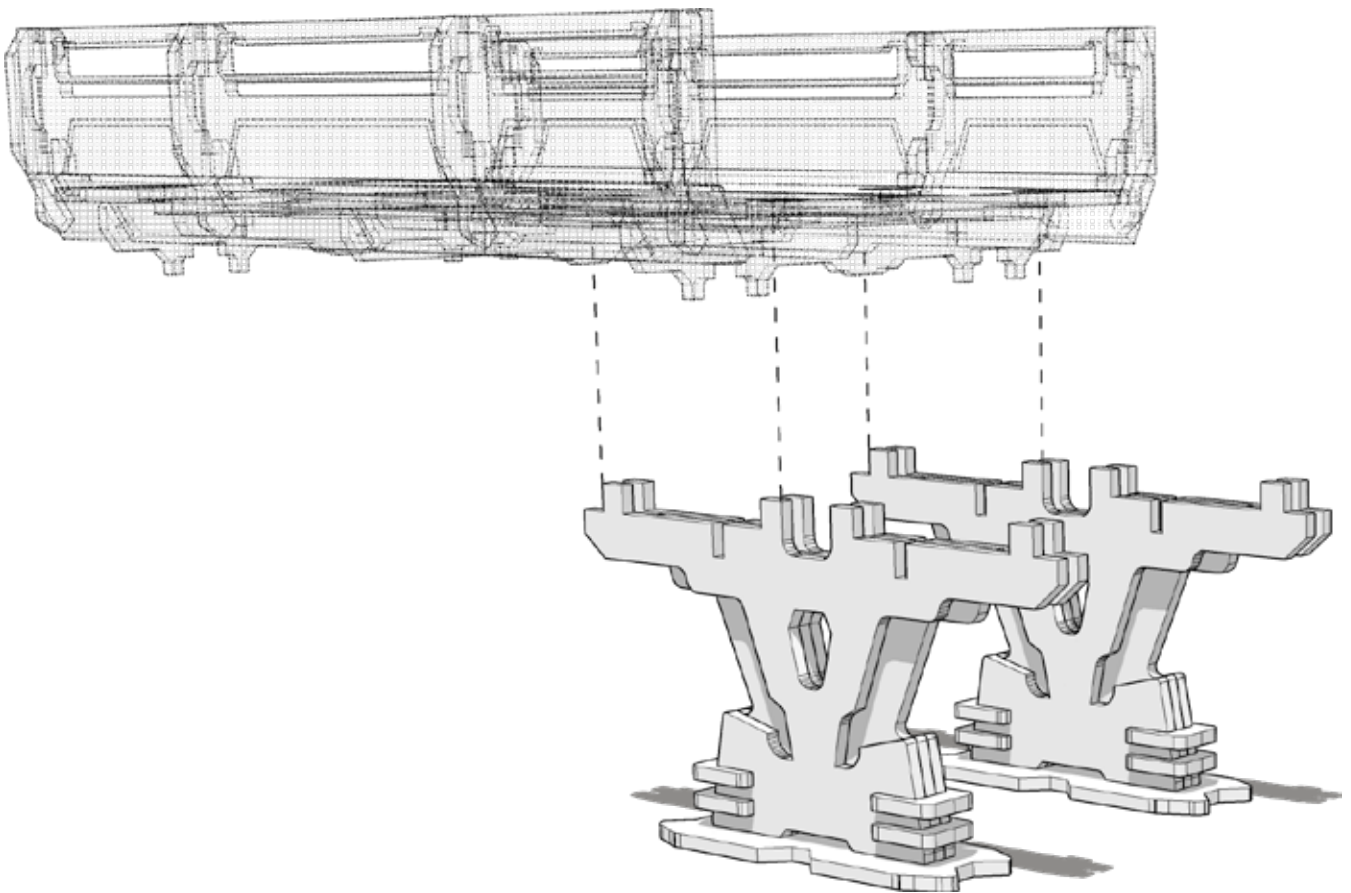
x2



TABLETOP SCENICS

TTSCW-SFU-127
ELMOR:
Skylevel Legs Low

9



Low legs replace the standard legs
on the low straight roads

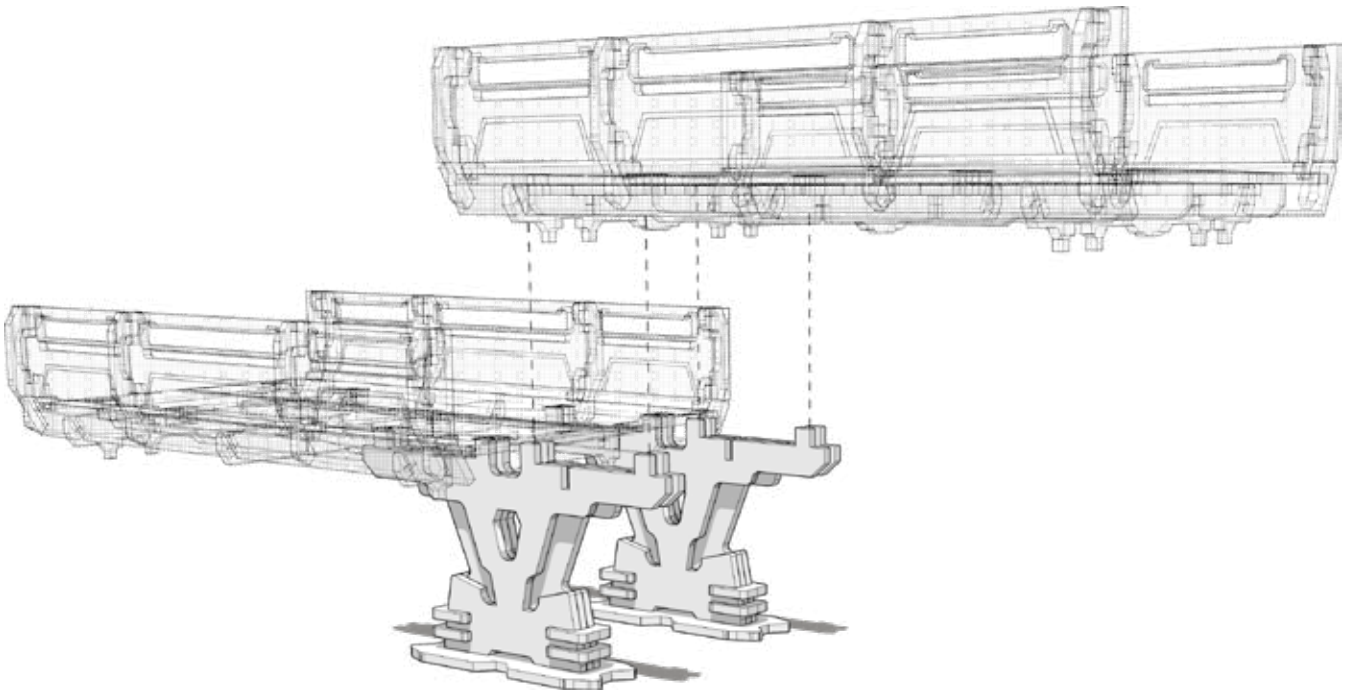




TABLETOP SCENICS

10

TTSCW-SFU-127
ELMOR:
Skylevel Legs Low

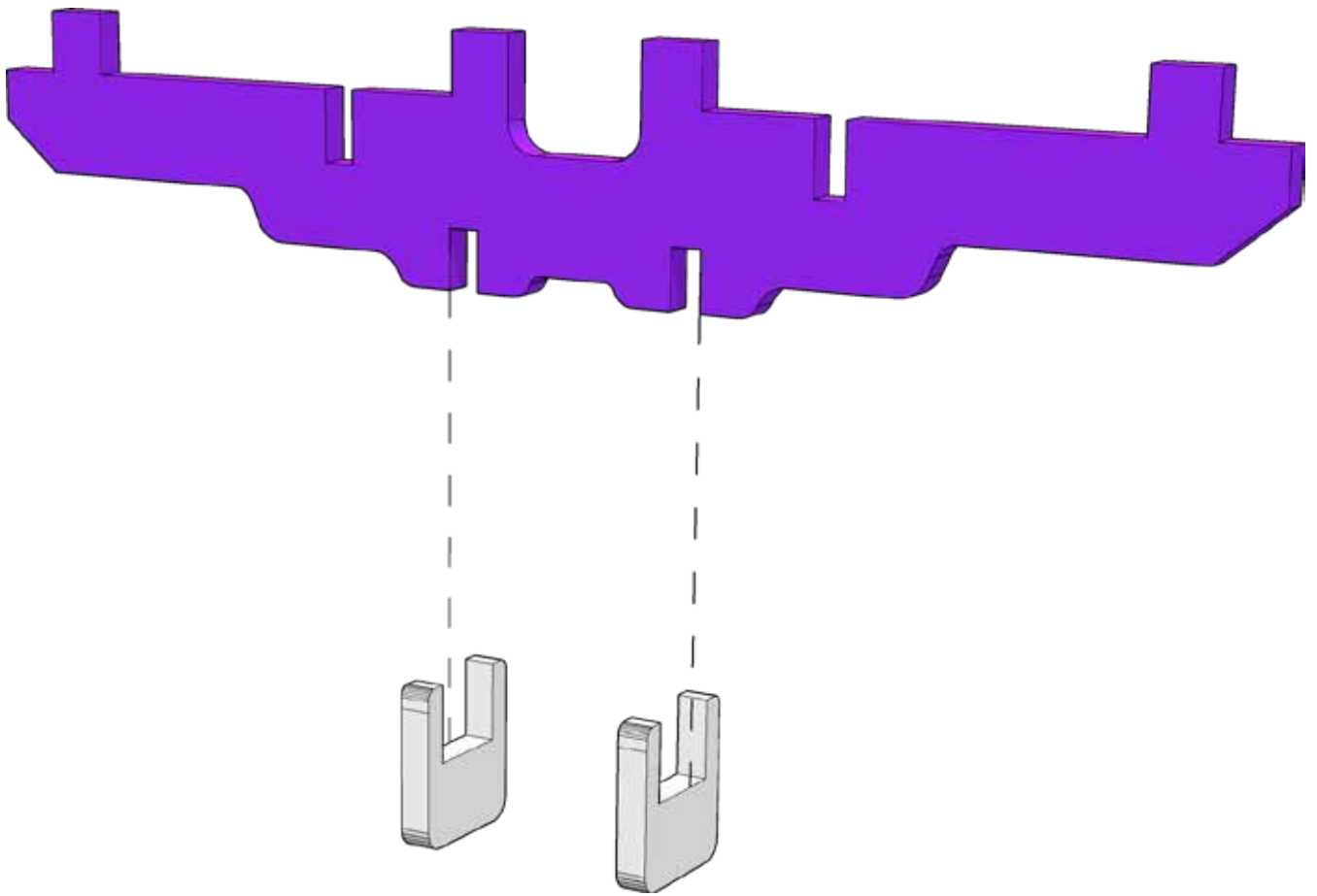




TABLETOP SCENICS

TTSCW-SFU-127
ELMOR:
Skylevel Legs Low

11

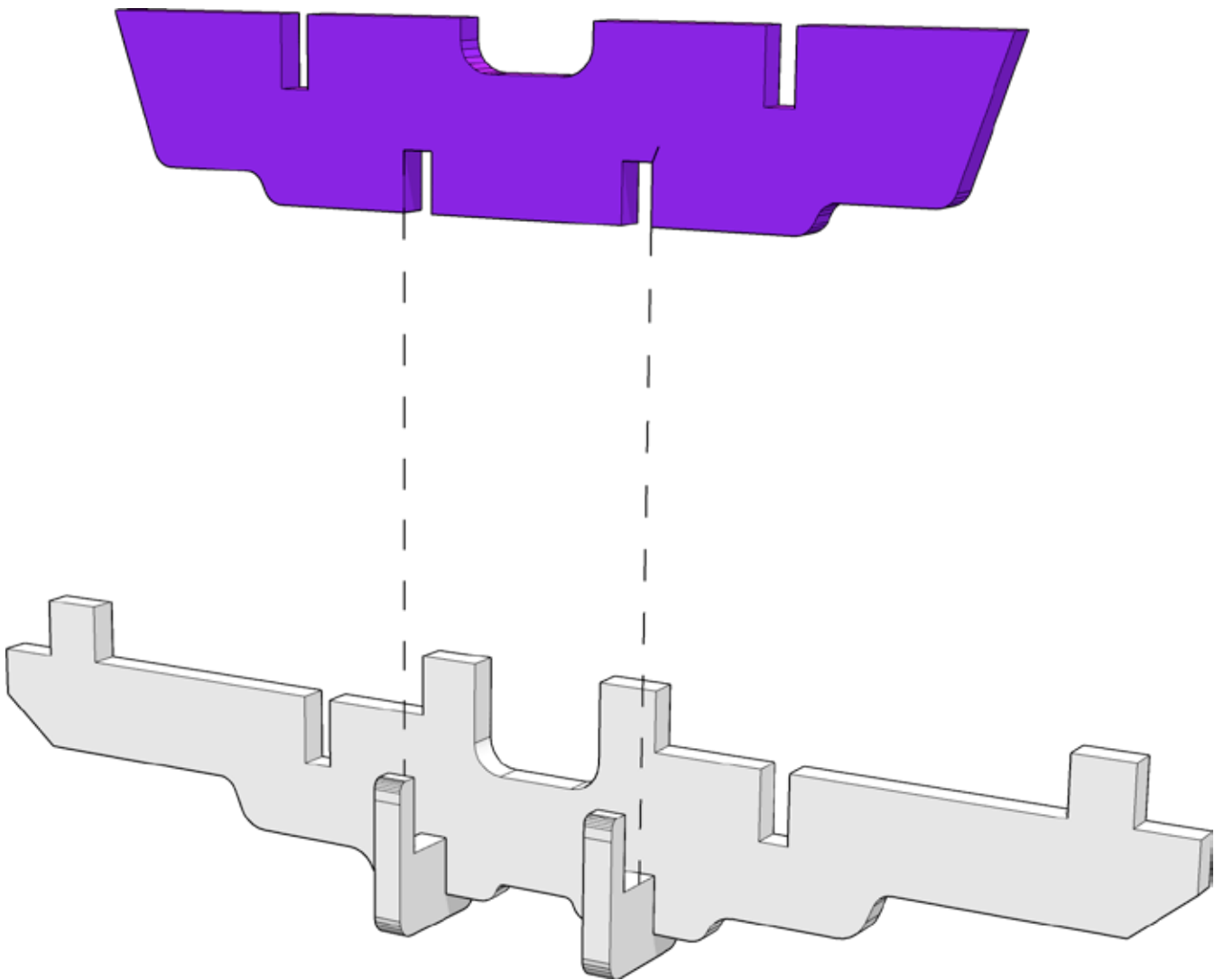




TABLETOP SCENICS

TTSCW-SFU-127
ELMOR:
Skylevel Legs Low

12

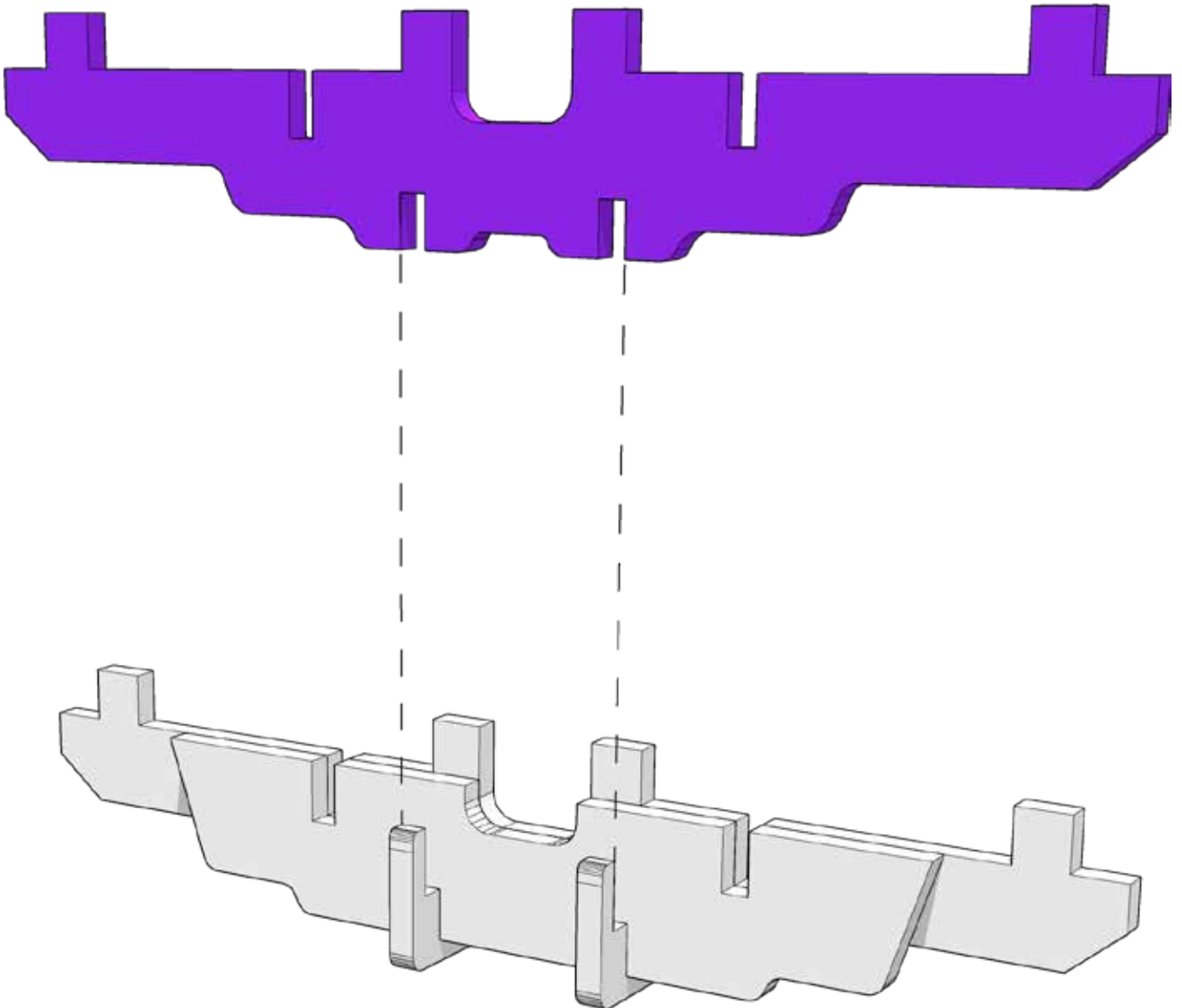




TABLETOP SCENICS

TTSCW-SFU-127
ELMOR:
Skylevel Legs Low

13

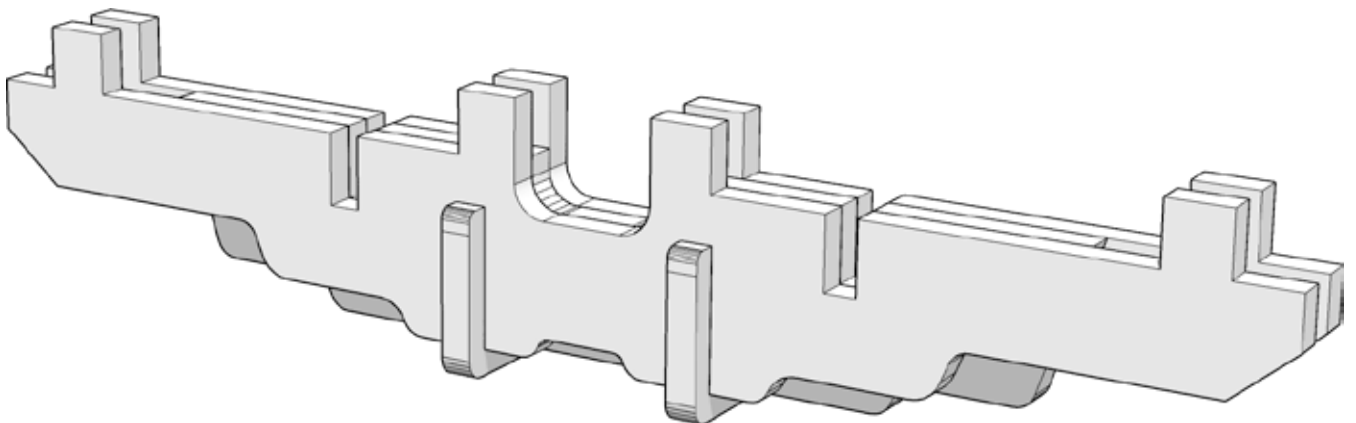




TABLETOP SCENICS

TTSCW-SFU-127
ELMOR:
Skylevel Legs Low

14



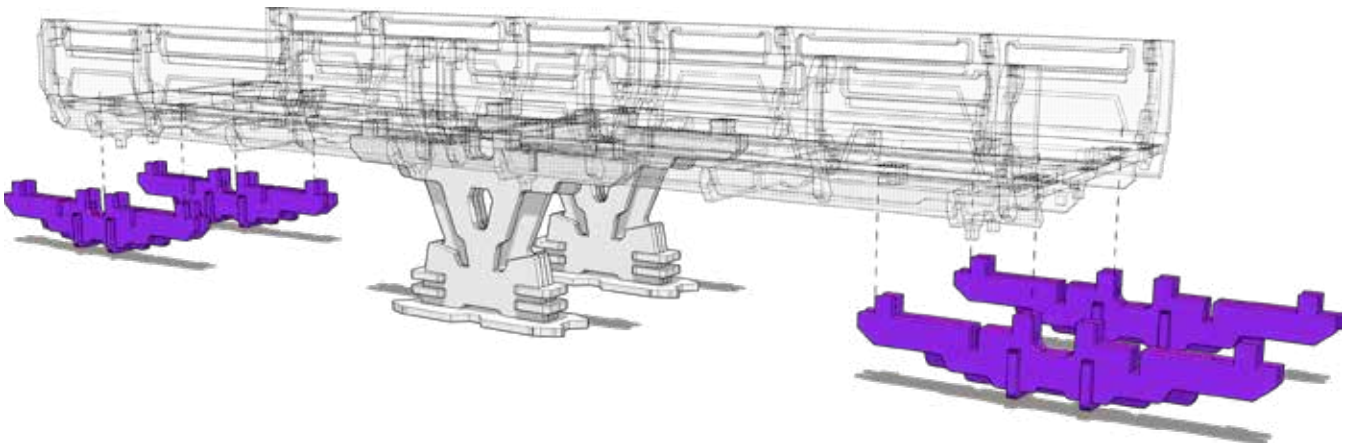
x4



TABLETOP SCENICS

TTSCW-SFU-127
ELMOR:
Skylevel Legs Low

15



Connectors replace the standard
legs on the low straight roads





TABLETOP SCENICS

TTSCW-SFU-127
ELMOR:
Skylevel Legs Low

16

