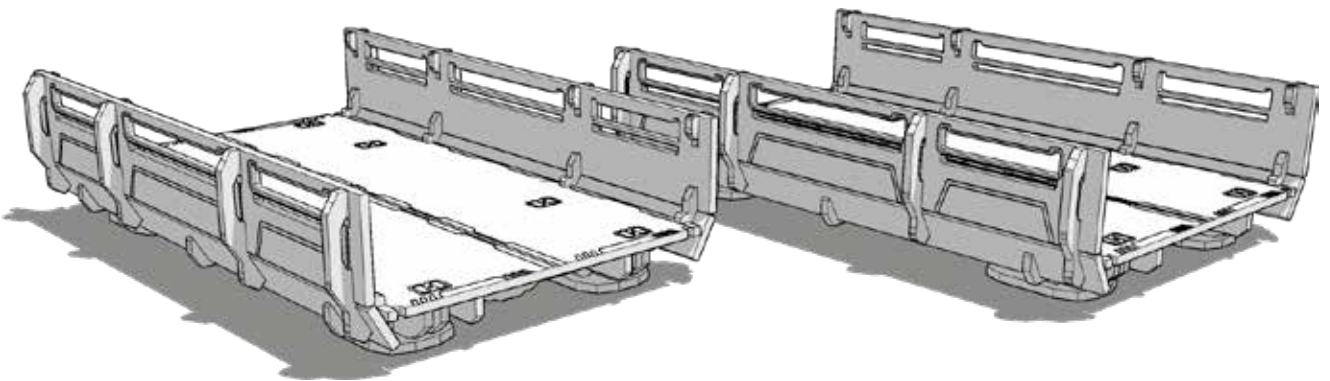




TABLETOP SCENICS

TTSCW-SFU-120
ELMOR:
Low Straight





TABLETOP SCENICS

TTSCW-SFU-120
ELMOR:
Low Straight

2

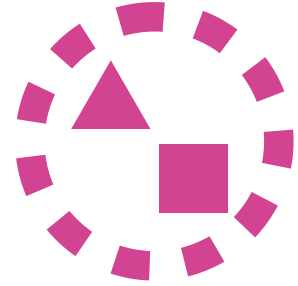
These are a series of icons that may be used throughout the instructions to help your assembly.
If in doubt, scroll ahead to confirm.



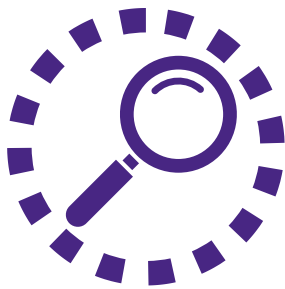
Do not glue this part



Carefully score and
fold this part



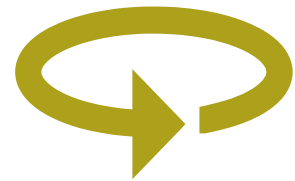
This part - or its placement is
completely optional



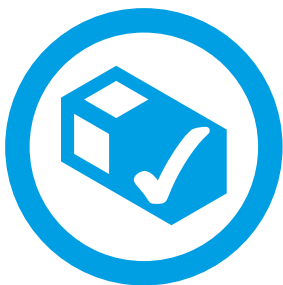
Look closely at this step -
The process order or part
used, may be specific



Repeat making this part
the specified number
of times



The next instruction step
will be the same assembly
so far, but from a different
angle



Sub-assembly complete.
This smaller construction
is ready to add to the
main kit



Assembly Complete! There
could be more optional
parts - check to the very end
of instructions



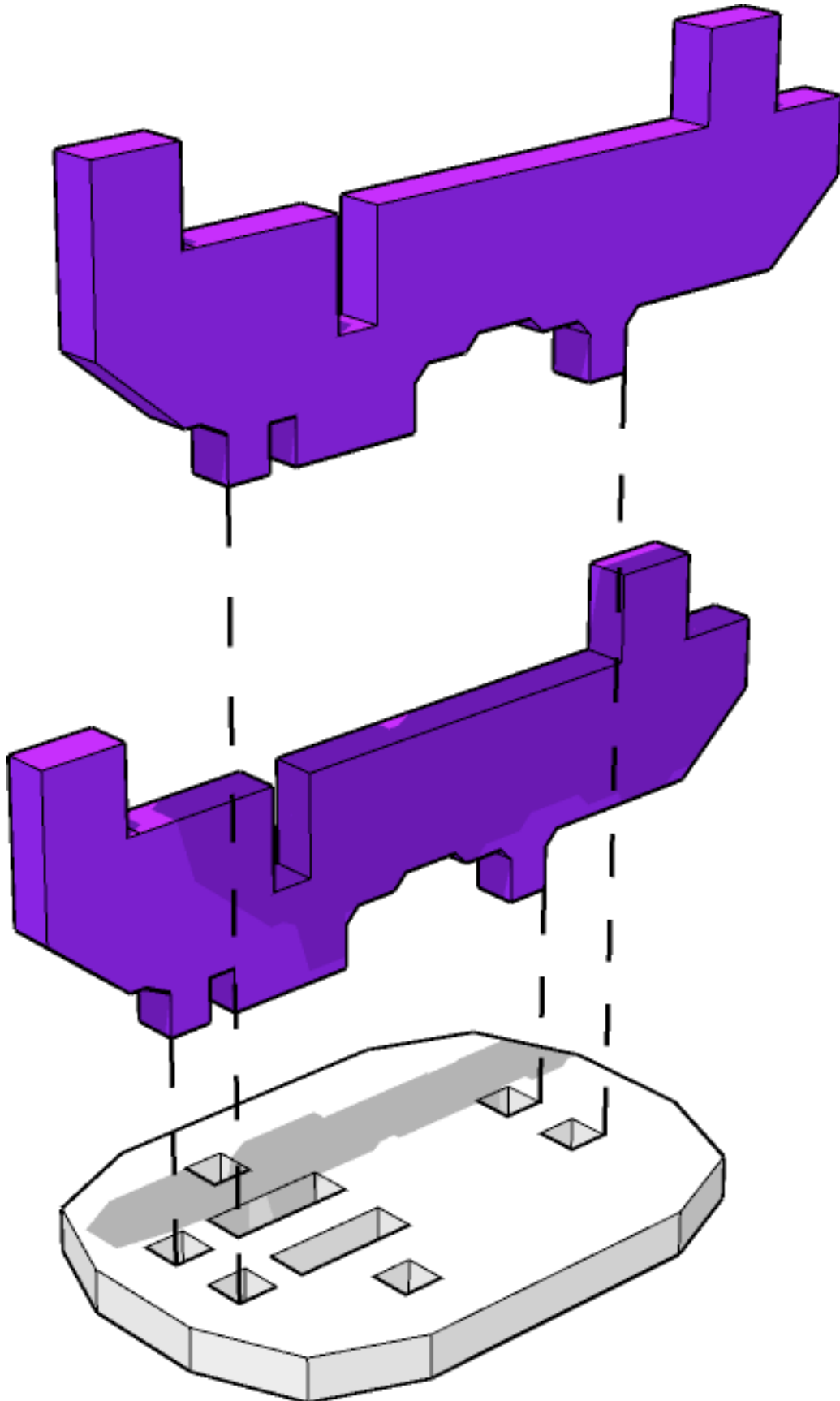
FRAGILE: DO NOT BEND.
“Bendy wood” is designed to
curve around a designed
frame only.



TABLETOP SCENICS

TTSCW-SFU-120
ELMOR:
Low Straight

3

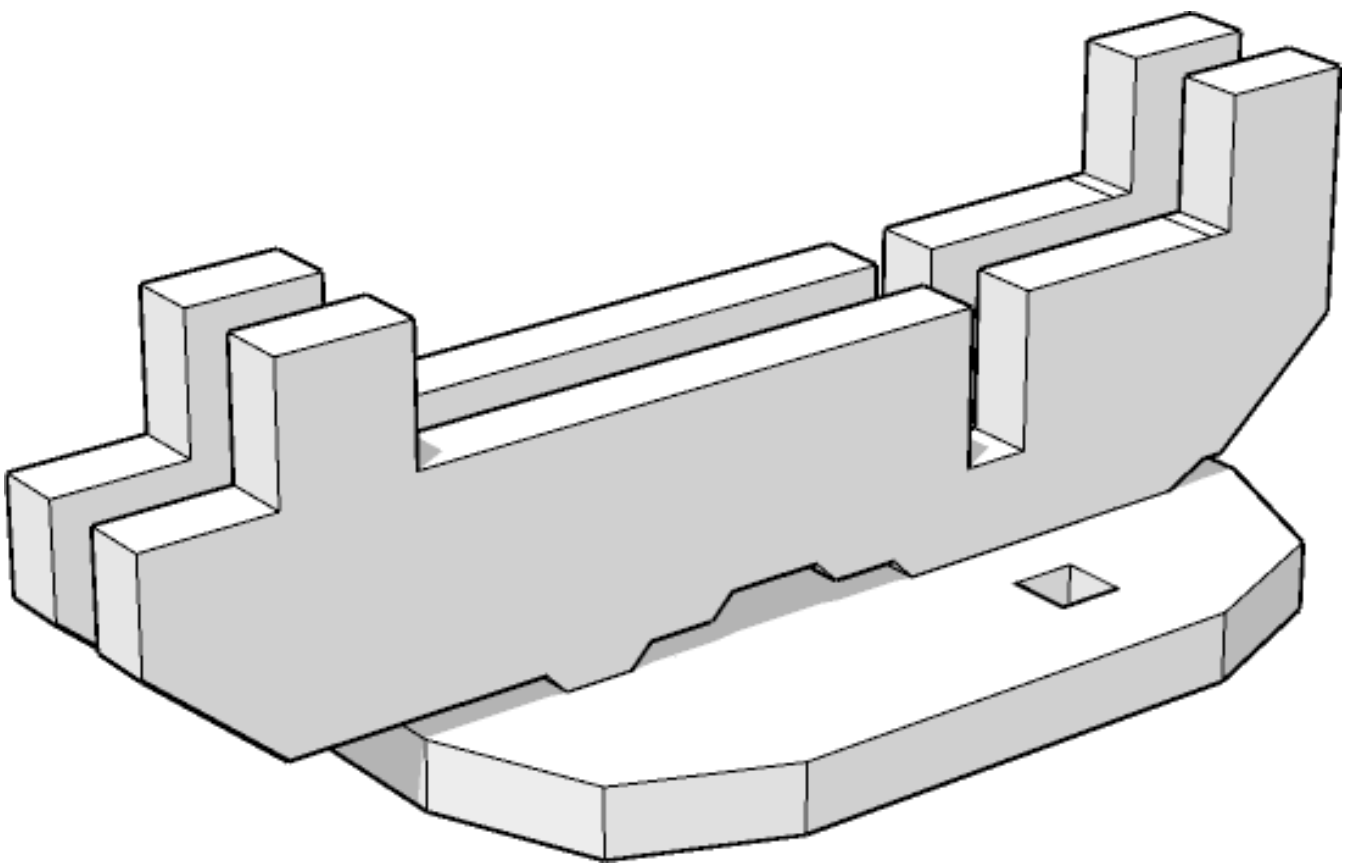




TABLETOP SCENICS

TTSCW-SFU-120
ELMOR:
Low Straight

4



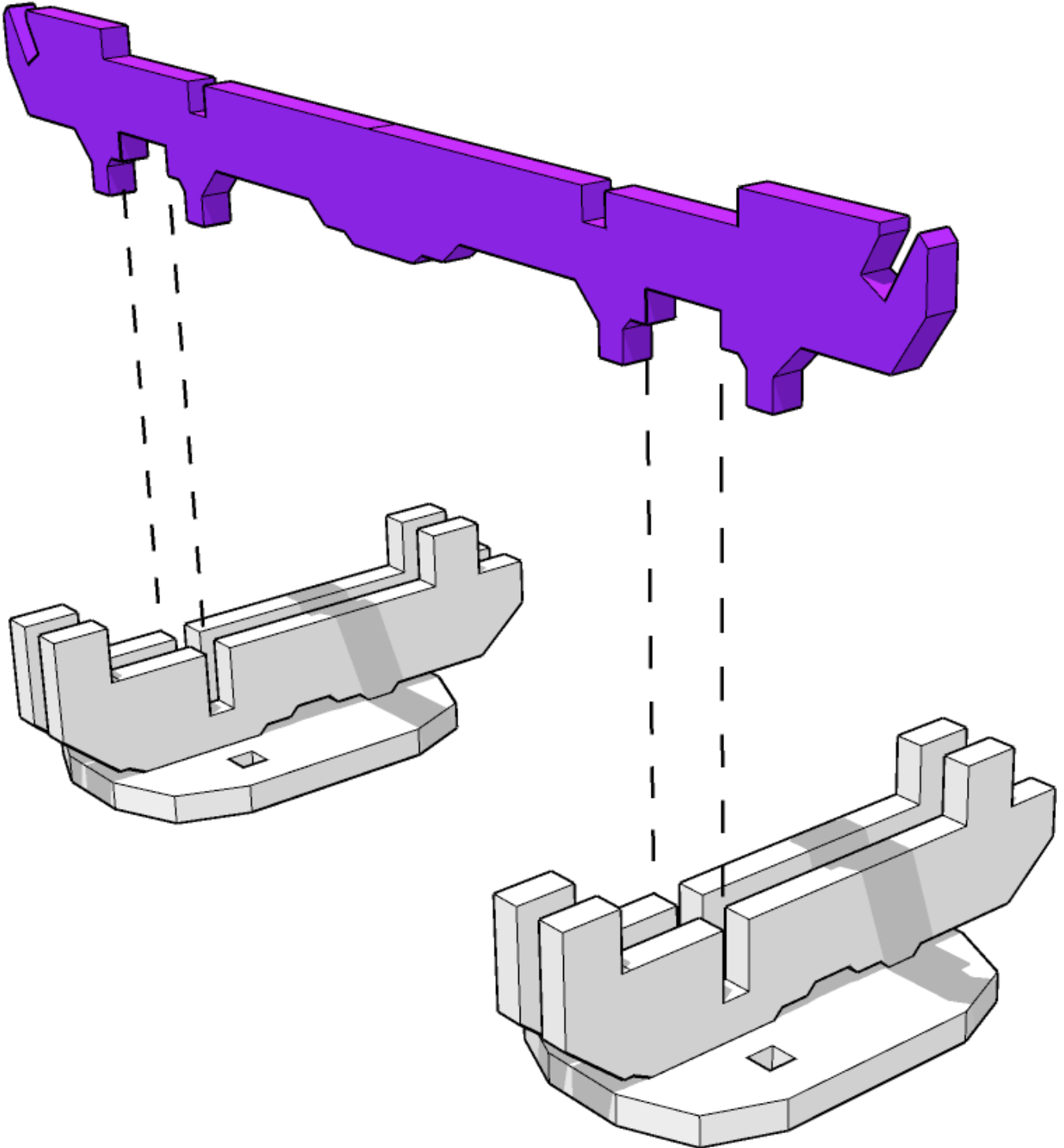
x4



TABLETOP SCENICS

TTSCW-SFU-120
ELMOR:
Low Straight

5



Recommended to not glue highlighted part
in place to allow removal to add Skyllevel legs

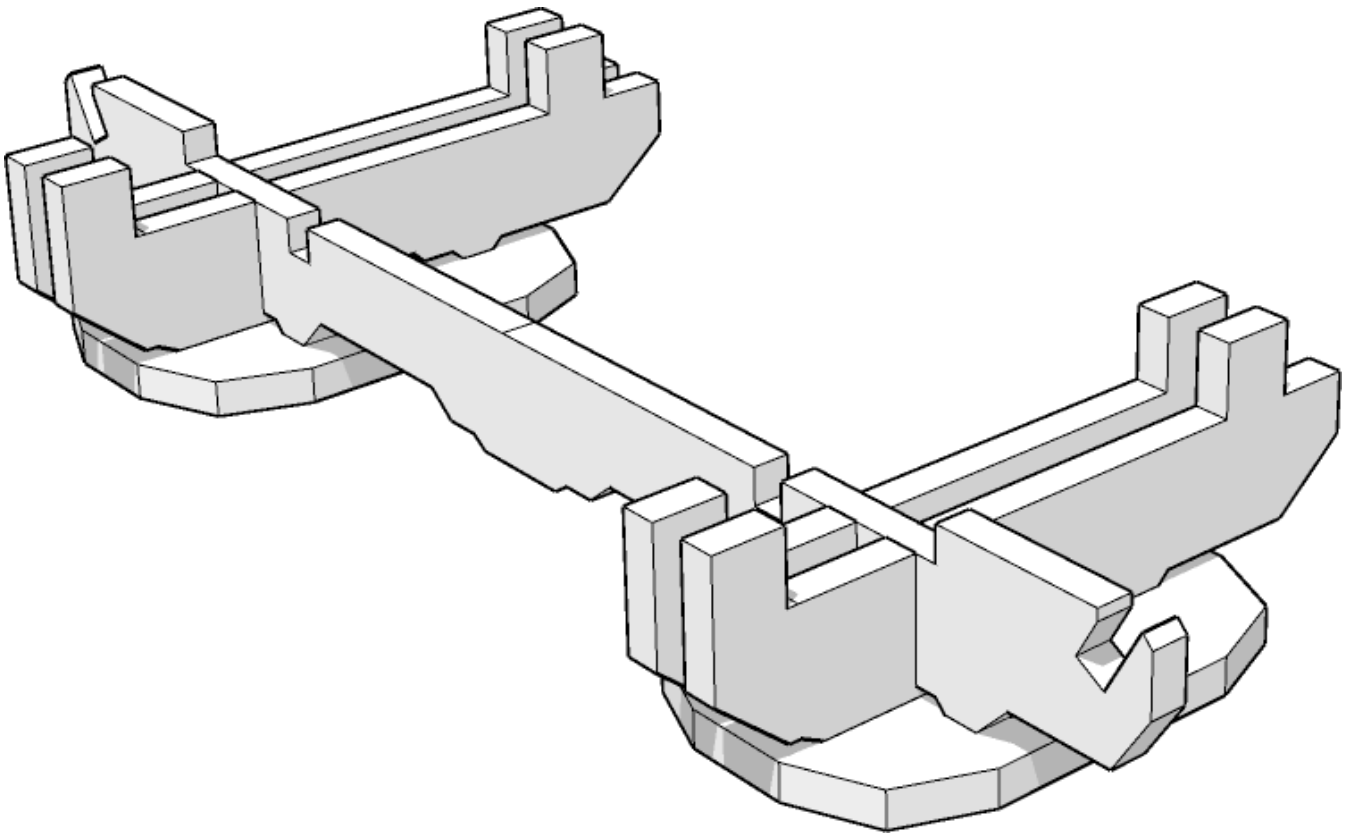




TABLETOP SCENICS

TTSCW-SFU-120
ELMOR:
Low Straight

6



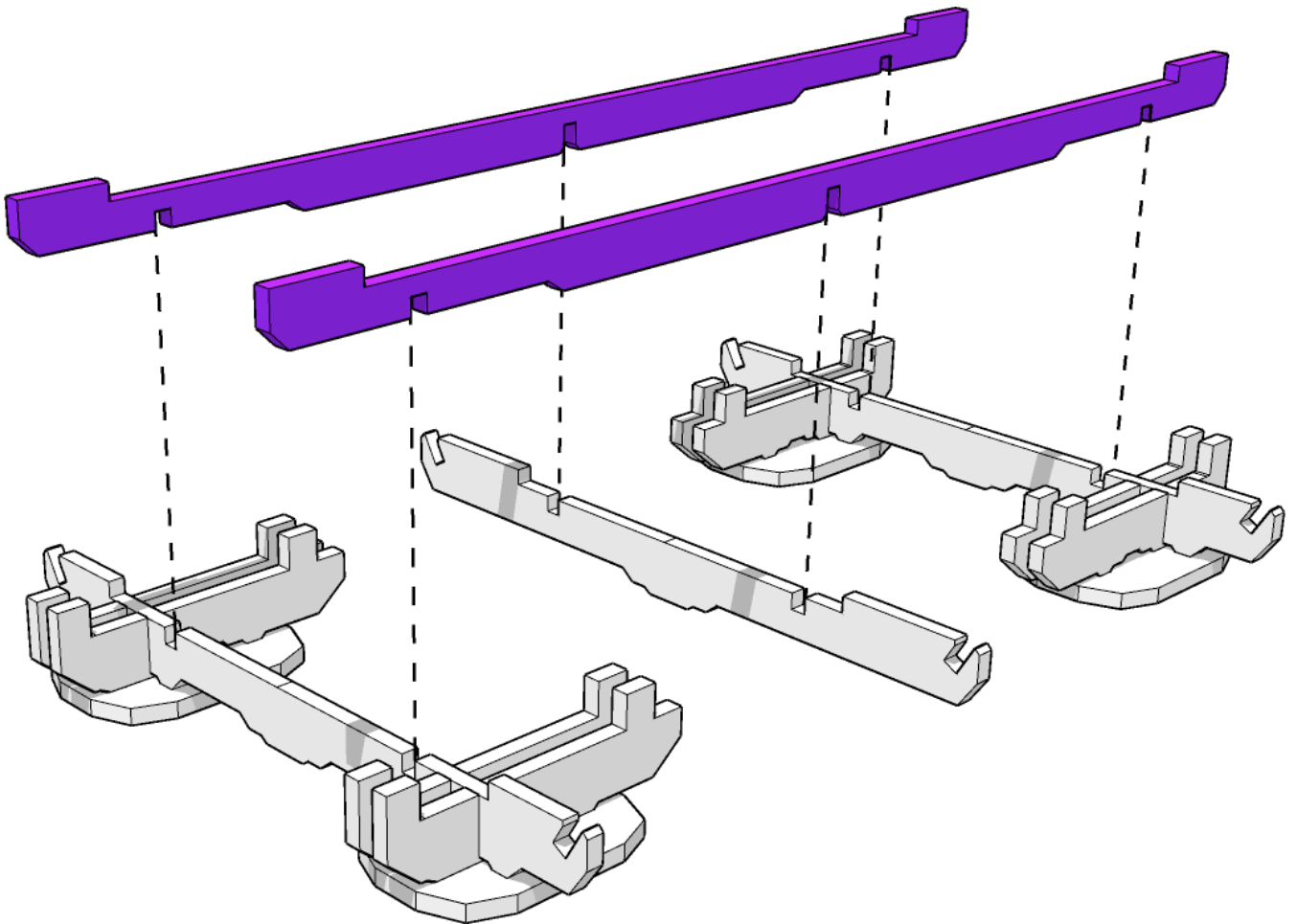
x2



TABLETOP SCENICS

TTSCW-SFU-120
ELMOR:
Low Straight

7

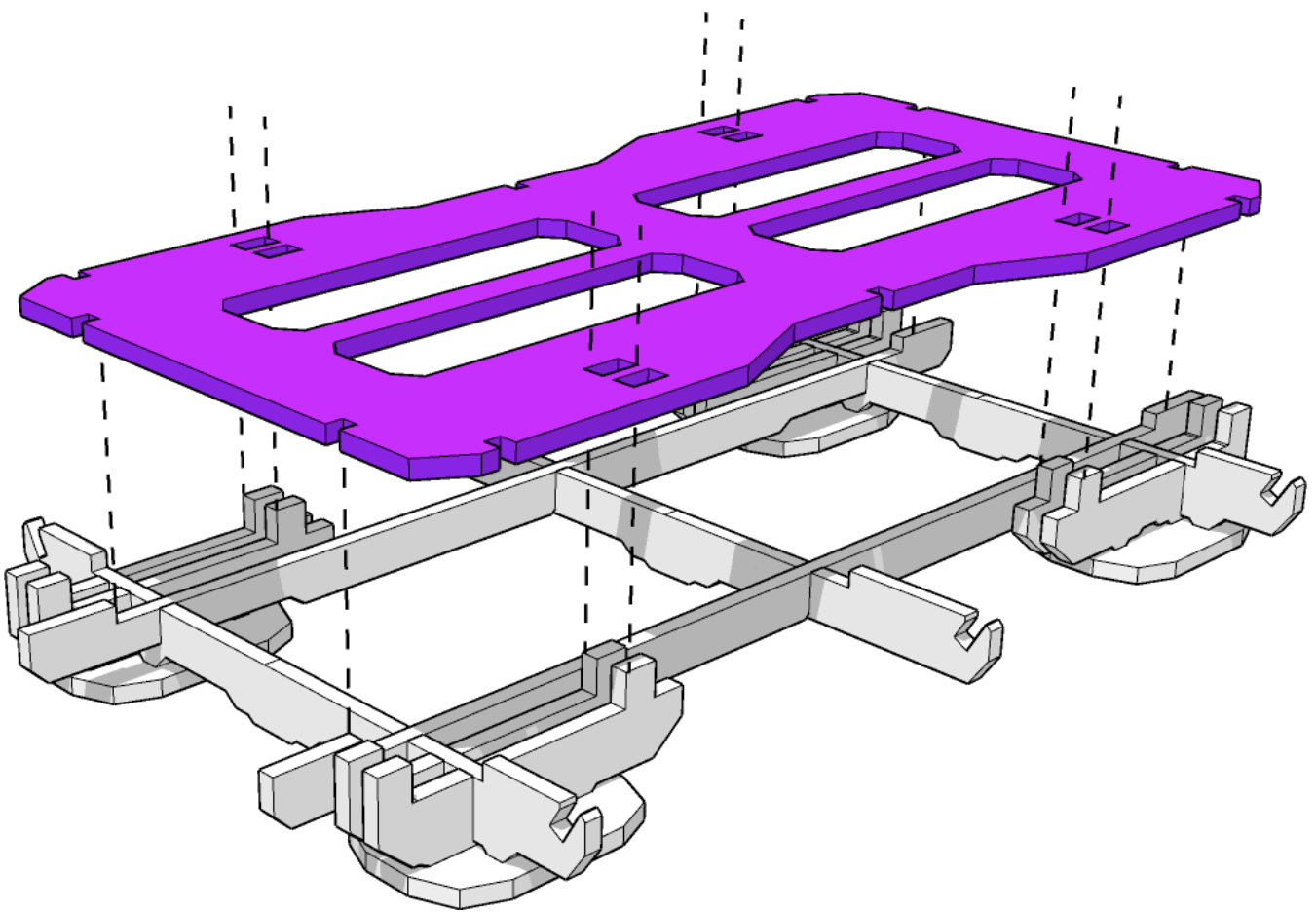




TABLETOP SCENICS

TTSCW-SFU-120
ELMOR:
Low Straight

8

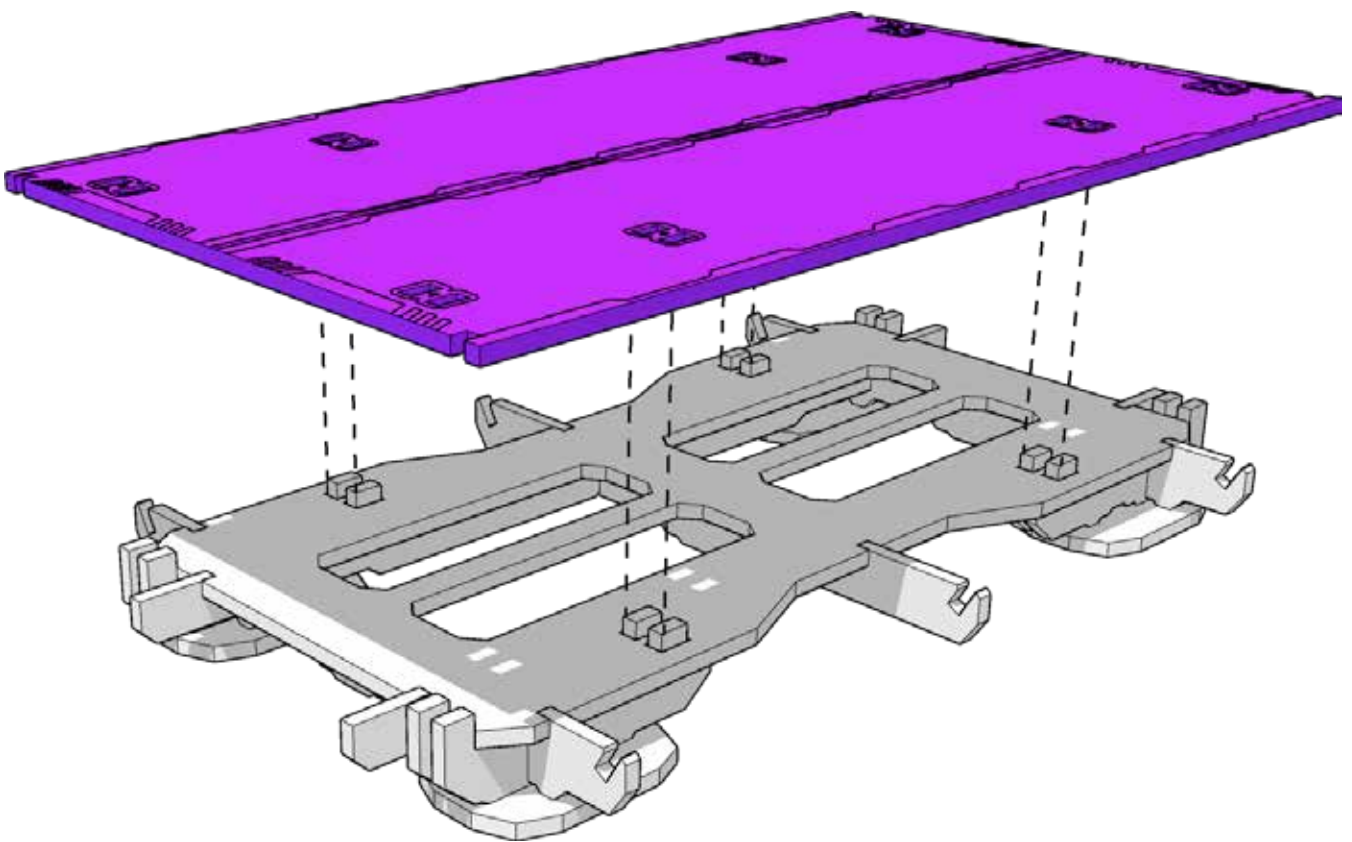


Feet will fit loosely within the tab holes.
Glue to the long strips, not feet





9



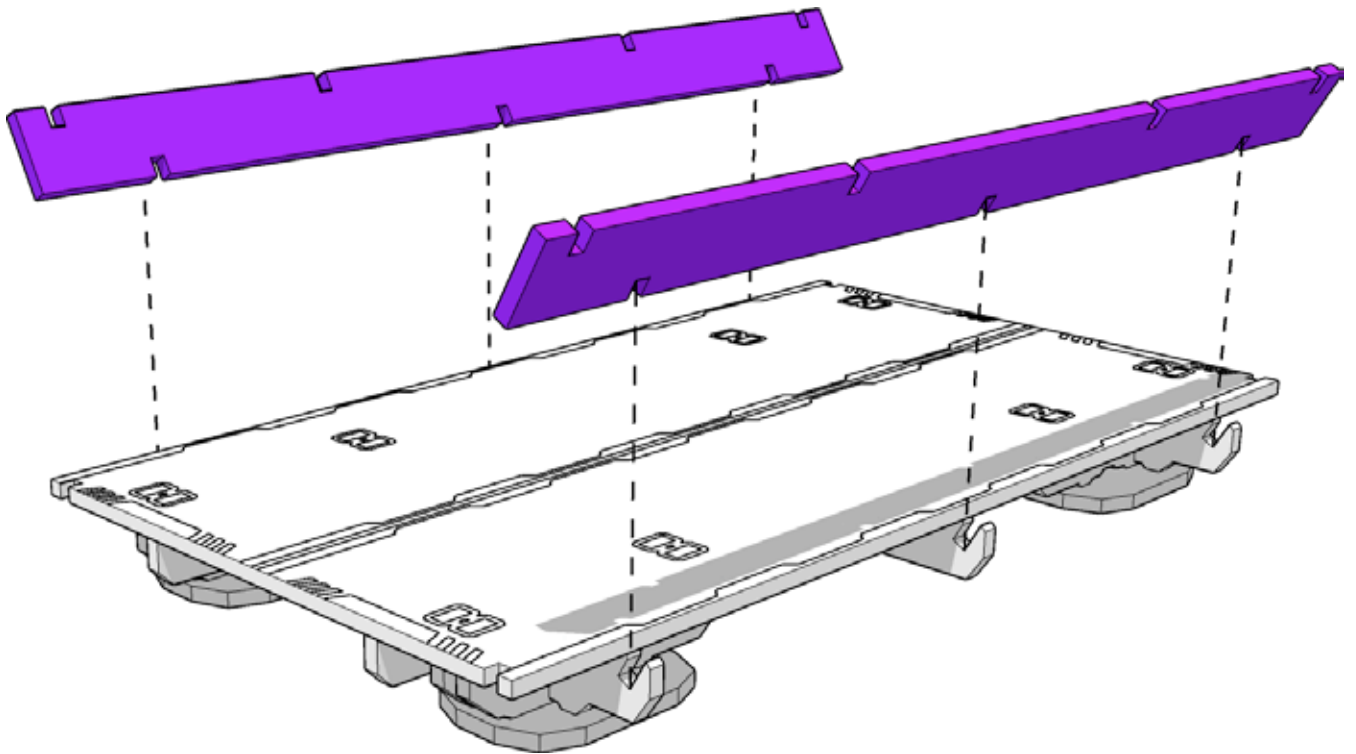
Recommended to glue the highlighted part to the support plate, not leg tabs. This allows for legs to be removable for the Skylevel leg kits.



TABLETOP SCENICS

TTSCW-SFU-120
ELMOR:
Low Straight

10

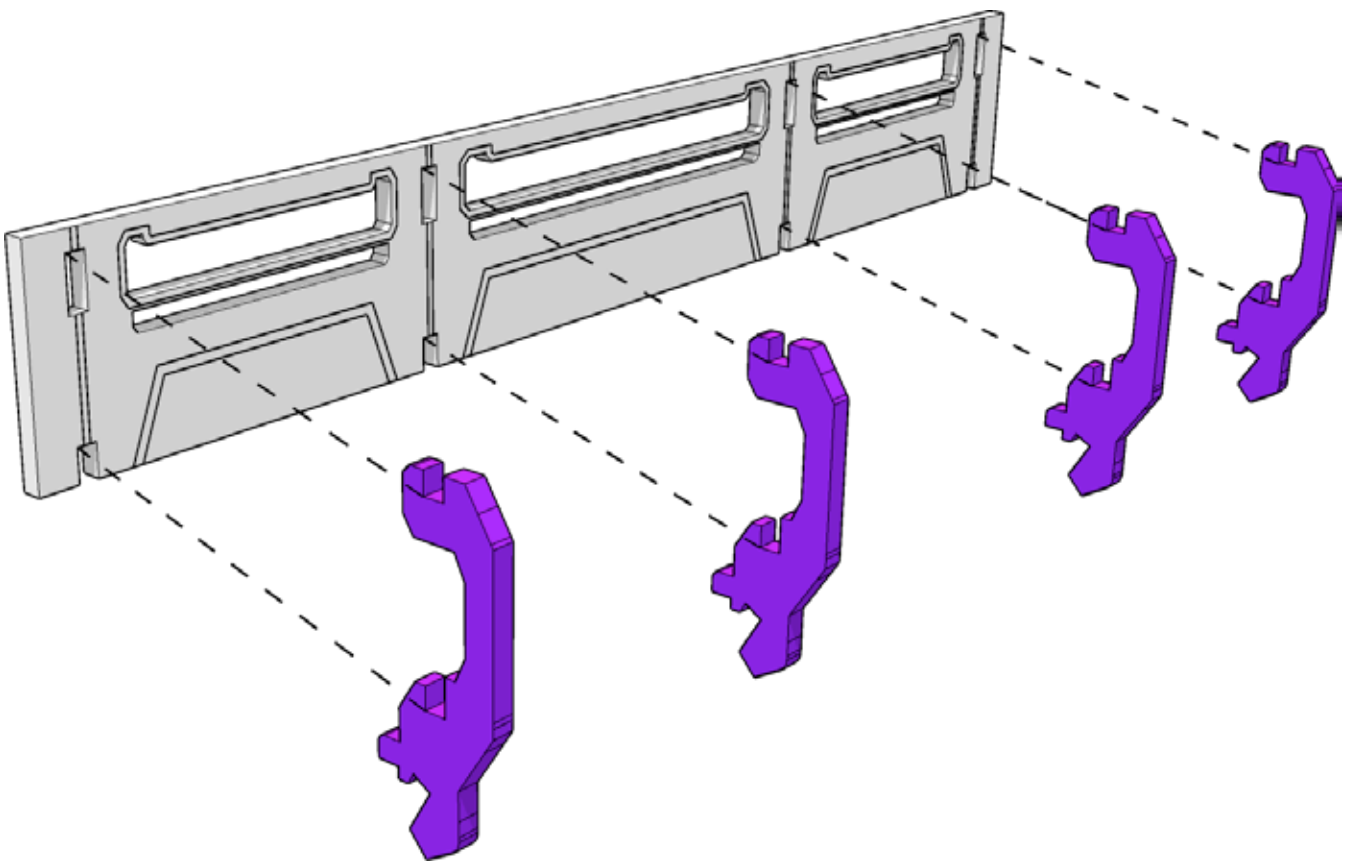




TABLETOP SCENICS

TTSCW-SFU-120
ELMOR:
Low Straight

11

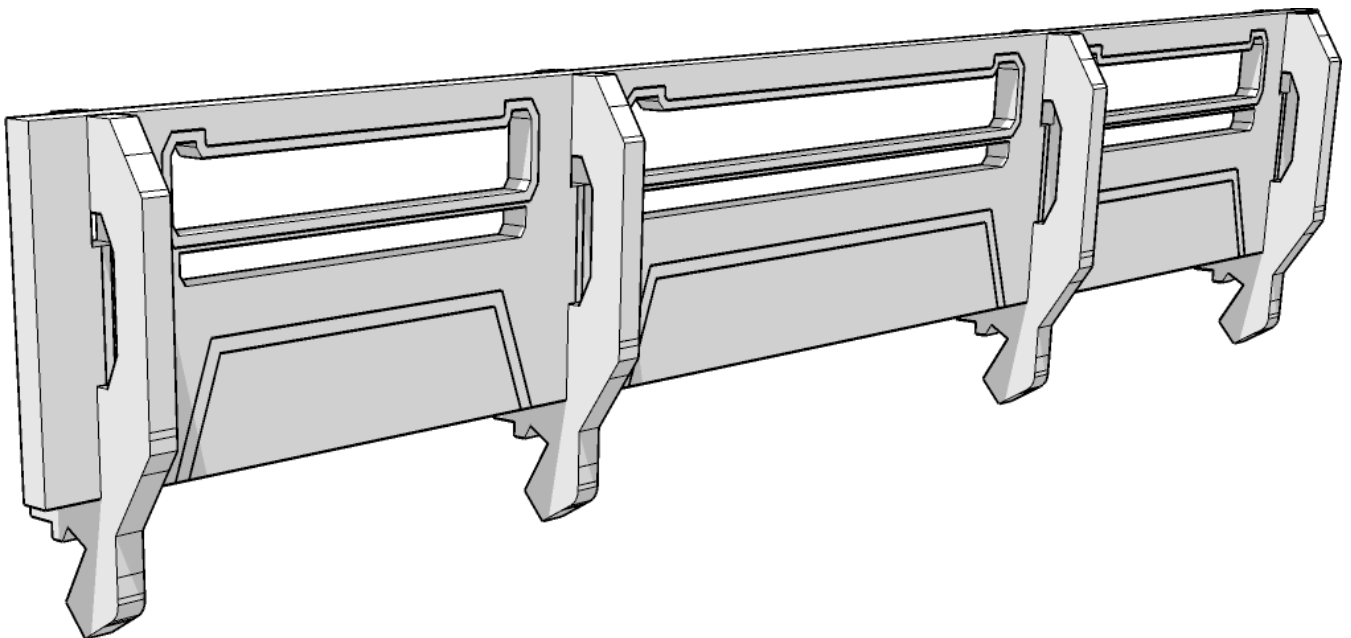




TABLETOP SCENICS

TTSCW-SFU-120
ELMOR:
Low Straight

12



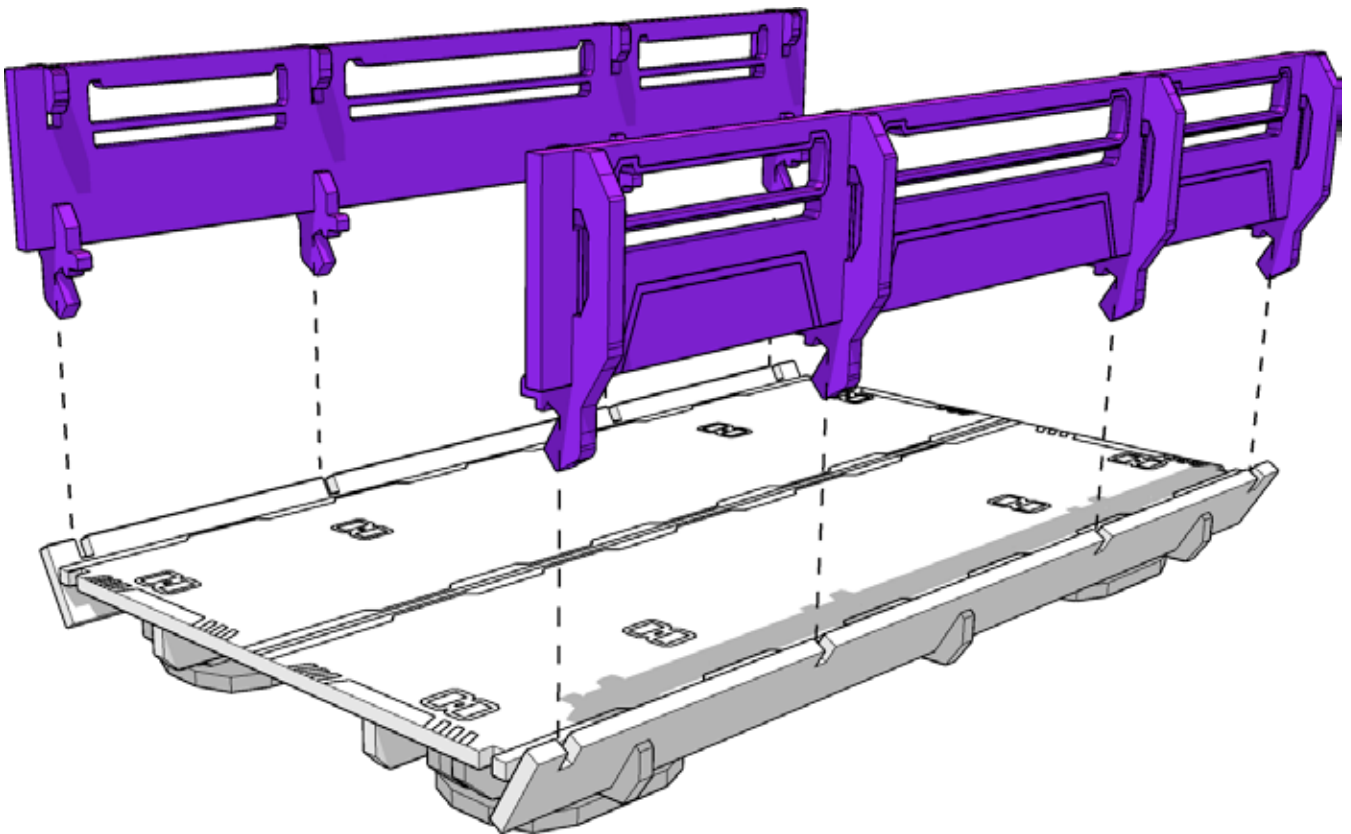
x2



TABLETOP SCENICS

TTSCW-SFU-120
ELMOR:
Low Straight

13



Gluing optional. If you want layout flexibility, do not glue in place

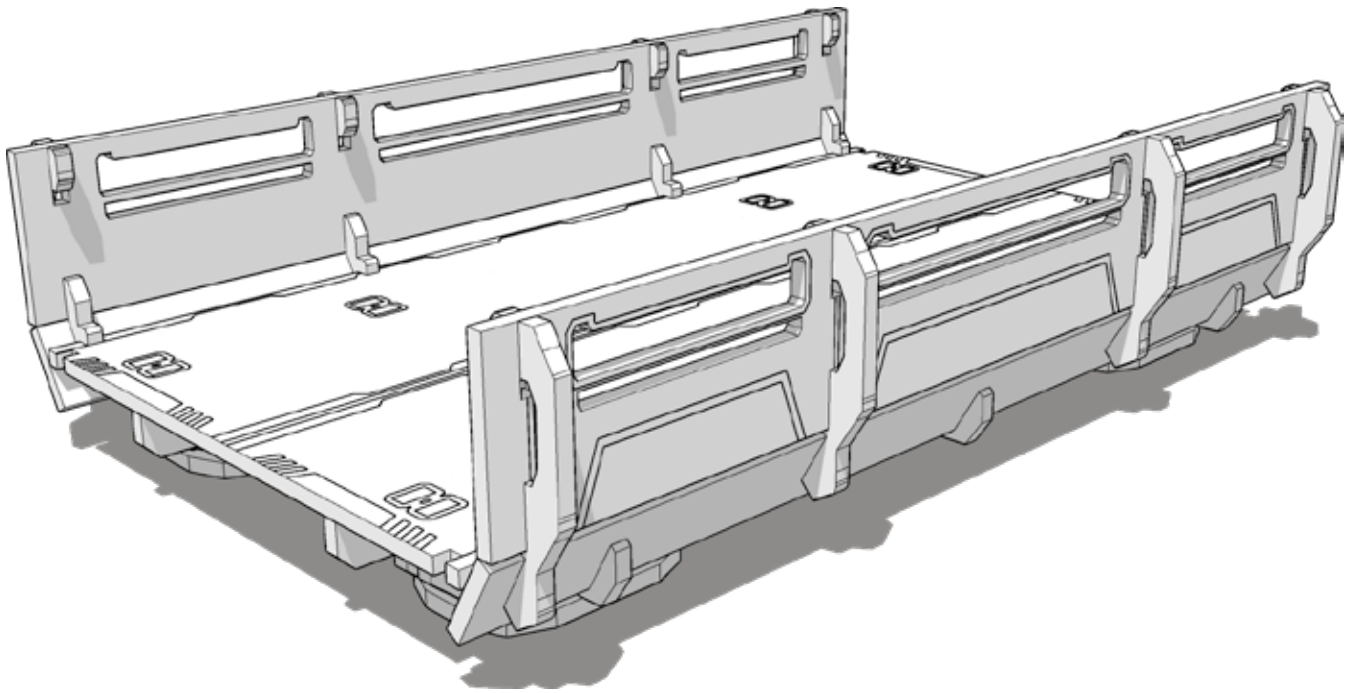




TABLETOP SCENICS

TTSCW-SFU-120
ELMOR:
Low Straight

14



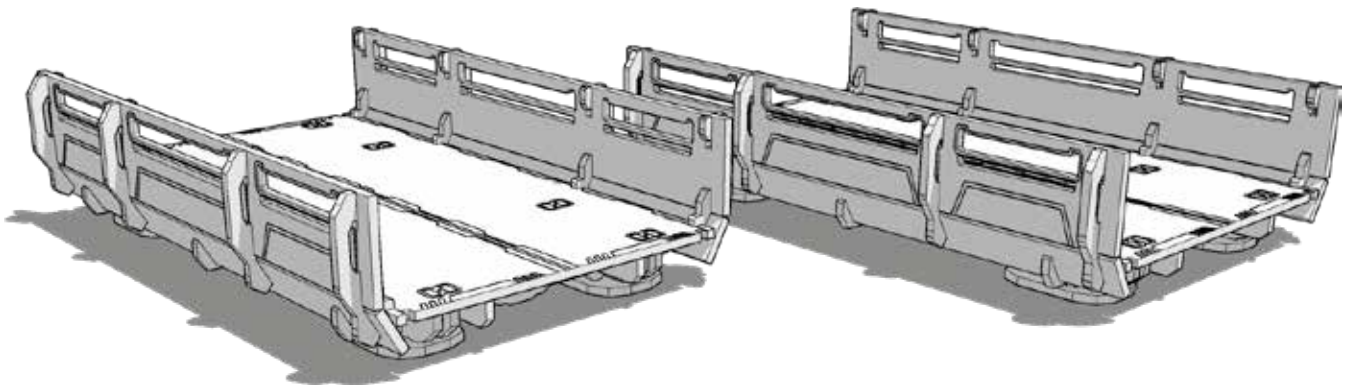
x2



TABLETOP SCENICS

TTSCW-SFU-120
ELMOR:
Low Straight

15



 **TTCOMBAT**