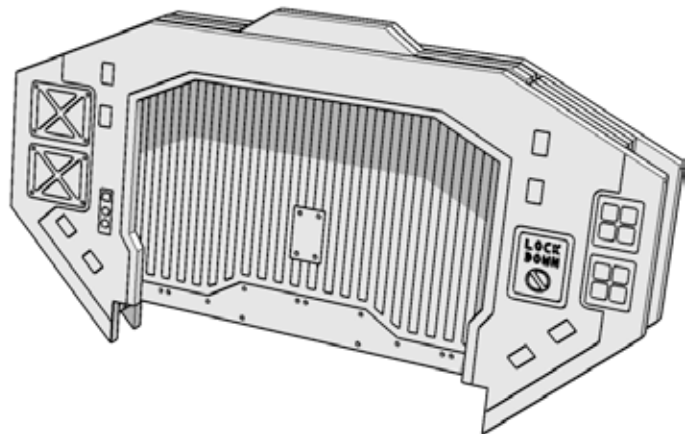
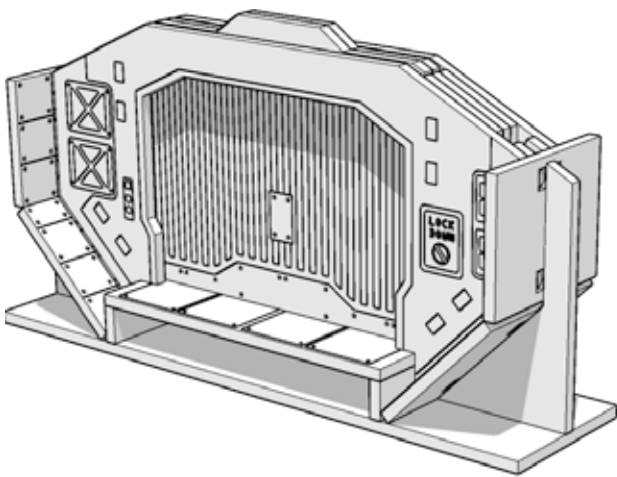




**TABLETOP
SCENICS**

**TTSCW-SFU-119
Mod.Co.N
Bulkhead Doors**



 **TTCOMBAT**



TABLETOP SCENICS

TTSCW-SFU-119
Mod.Co.N
Bulkhead Doors

2

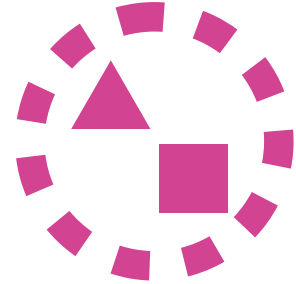
These are a series of icons that may be used throughout the instructions to help your assembly.
If in doubt, scroll ahead to confirm.



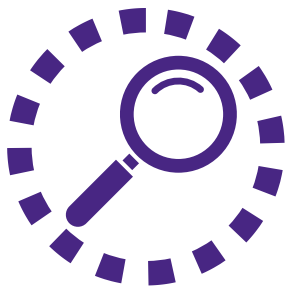
Do not glue this part



Carefully score and
fold this part



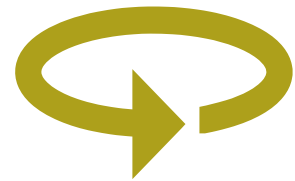
This part - or its placement is
completely optional



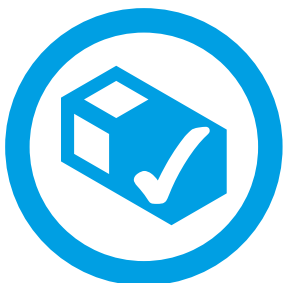
Look closely at this step -
The process order or part
used, may be specific



Repeat making this part
the specified number
of times



The next instruction step
will be the same assembly
so far, but from a different
angle



Sub-assembly complete.
This smaller construction
is ready to add to the
main kit



Assembly Complete! There
could be more optional
parts - check to the very end
of instructions



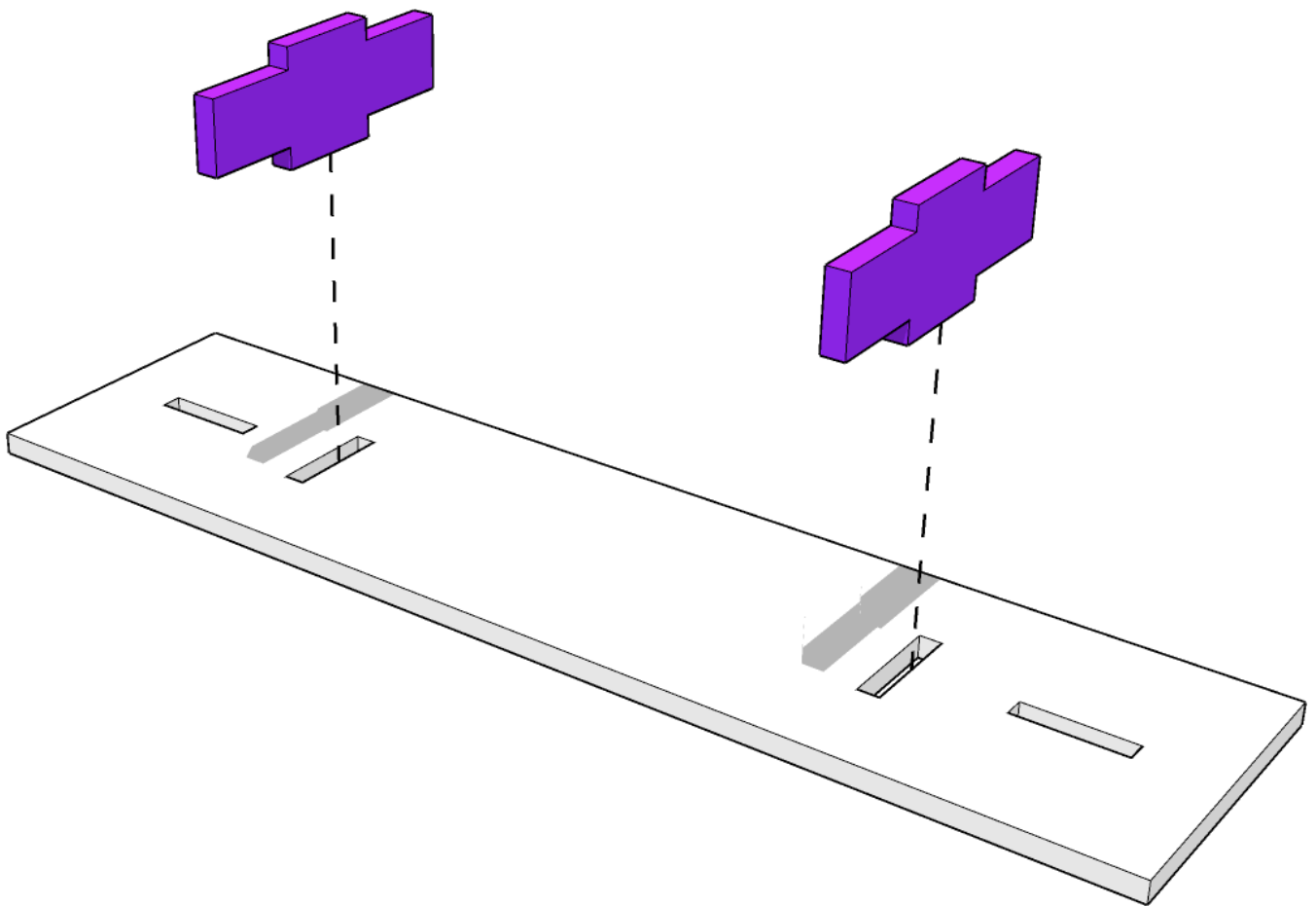
FRAGILE: DO NOT BEND.
“Bendy wood” is designed to
curve around a designed
frame only.



TABLETOP SCENICS

TTSCW-SFU-119
Mod.Co.N
Bulkhead Doors

3

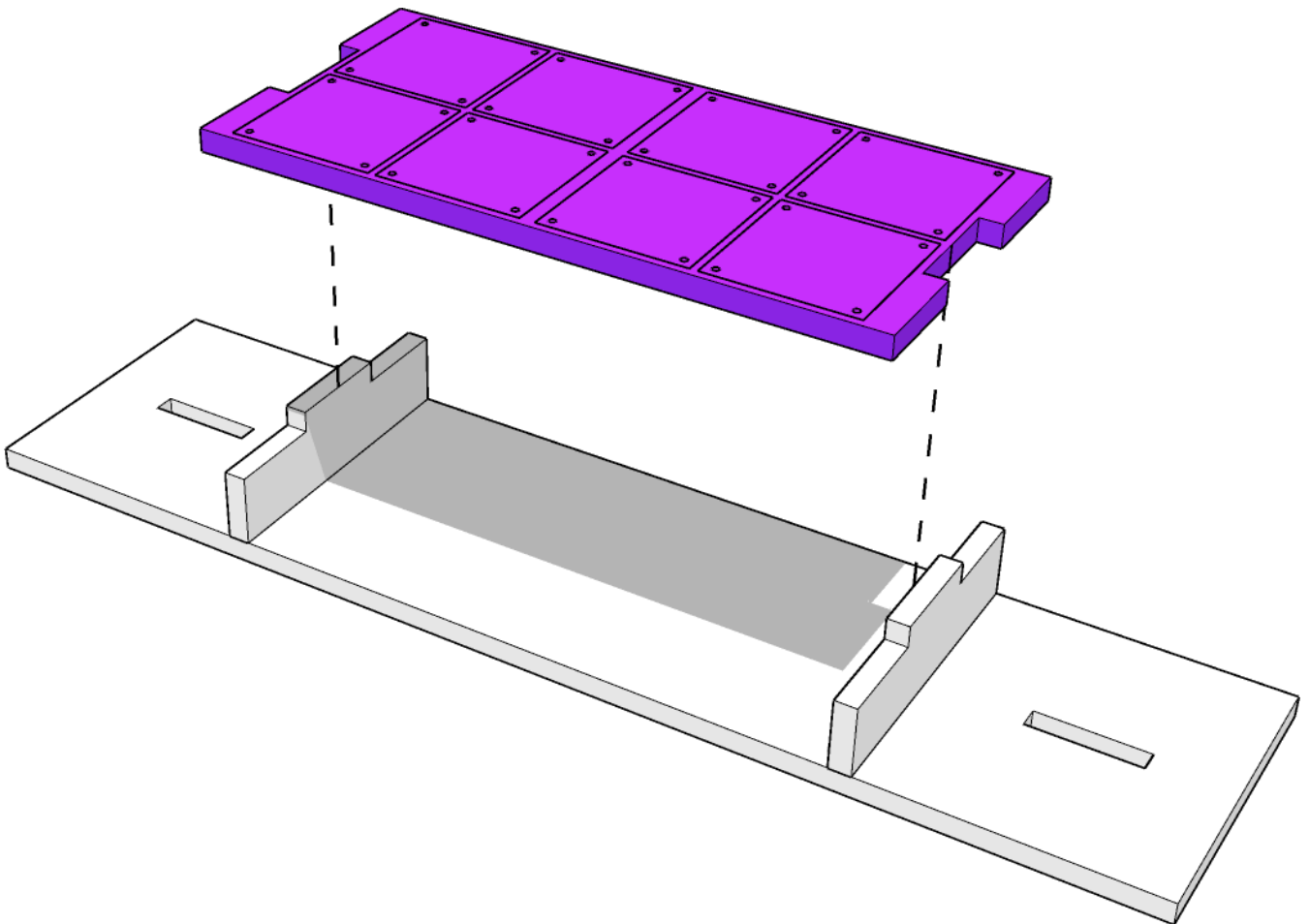




TABLETOP SCENICS

TTSCW-SFU-119
Mod.Co.N
Bulkhead Doors

4

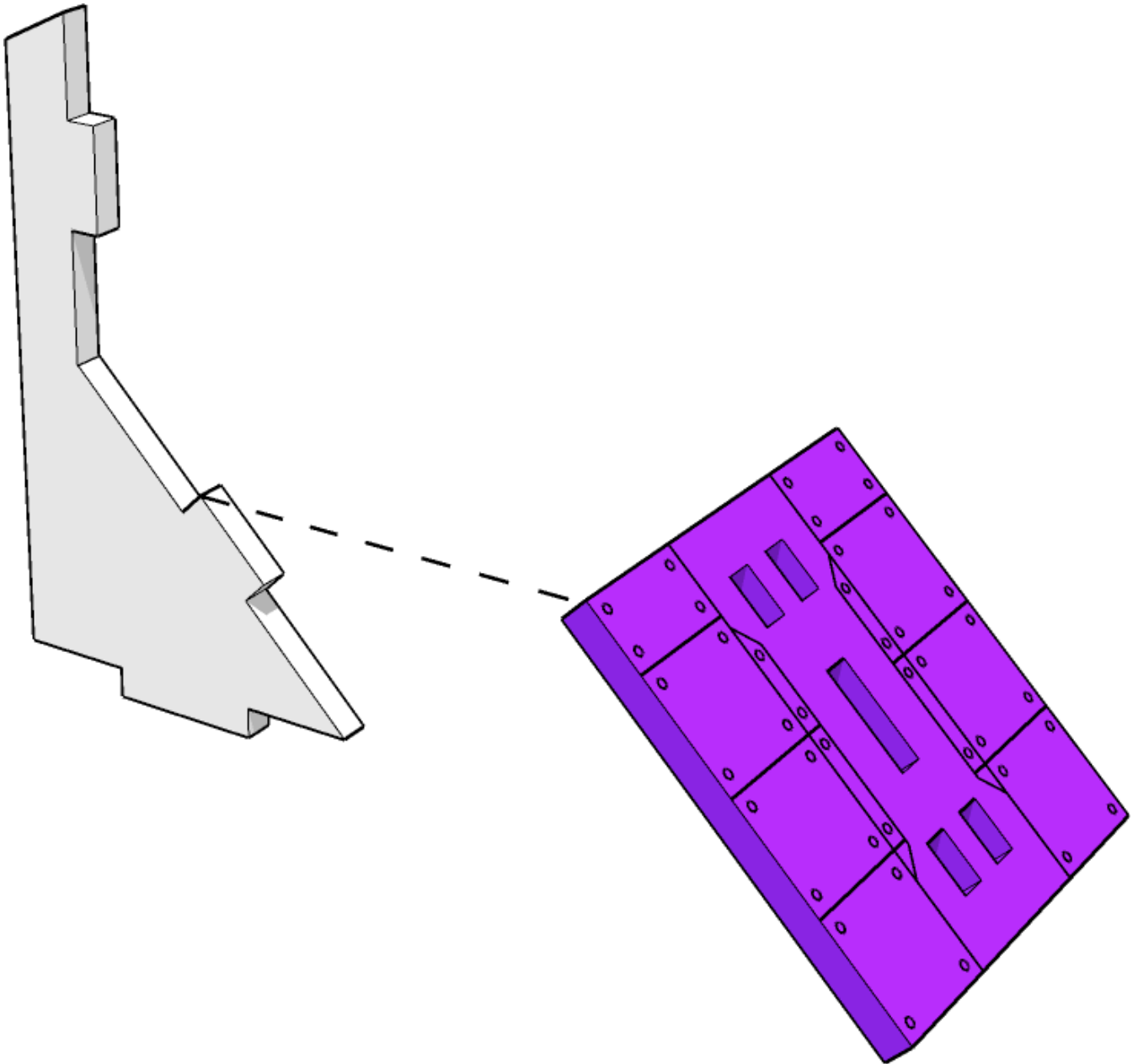




TABLETOP SCENICS

TTSCW-SFU-119
Mod.Co.N
Bulkhead Doors

5

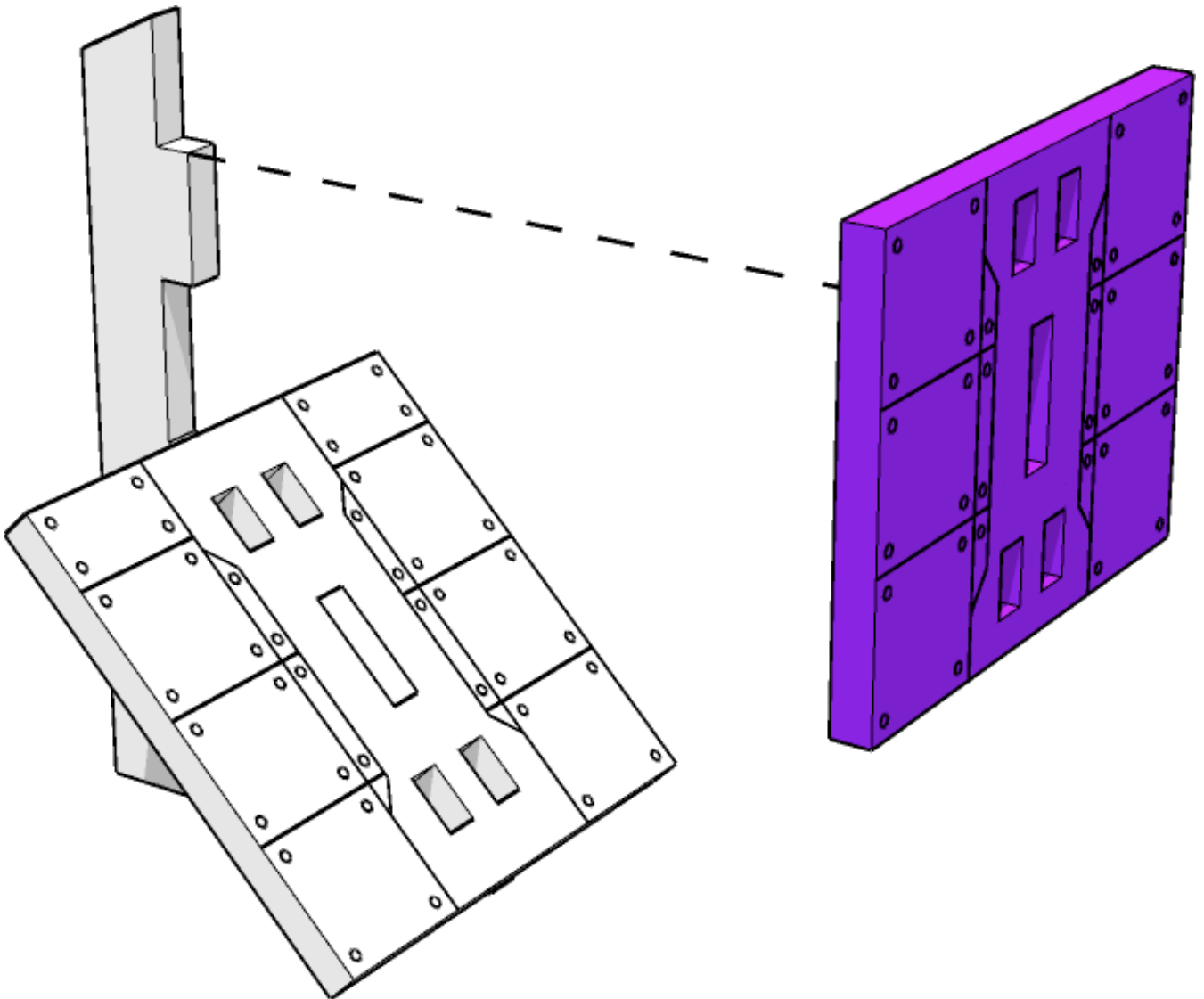




TABLETOP SCENICS

TTSCW-SFU-119
Mod.Co.N
Bulkhead Doors

6

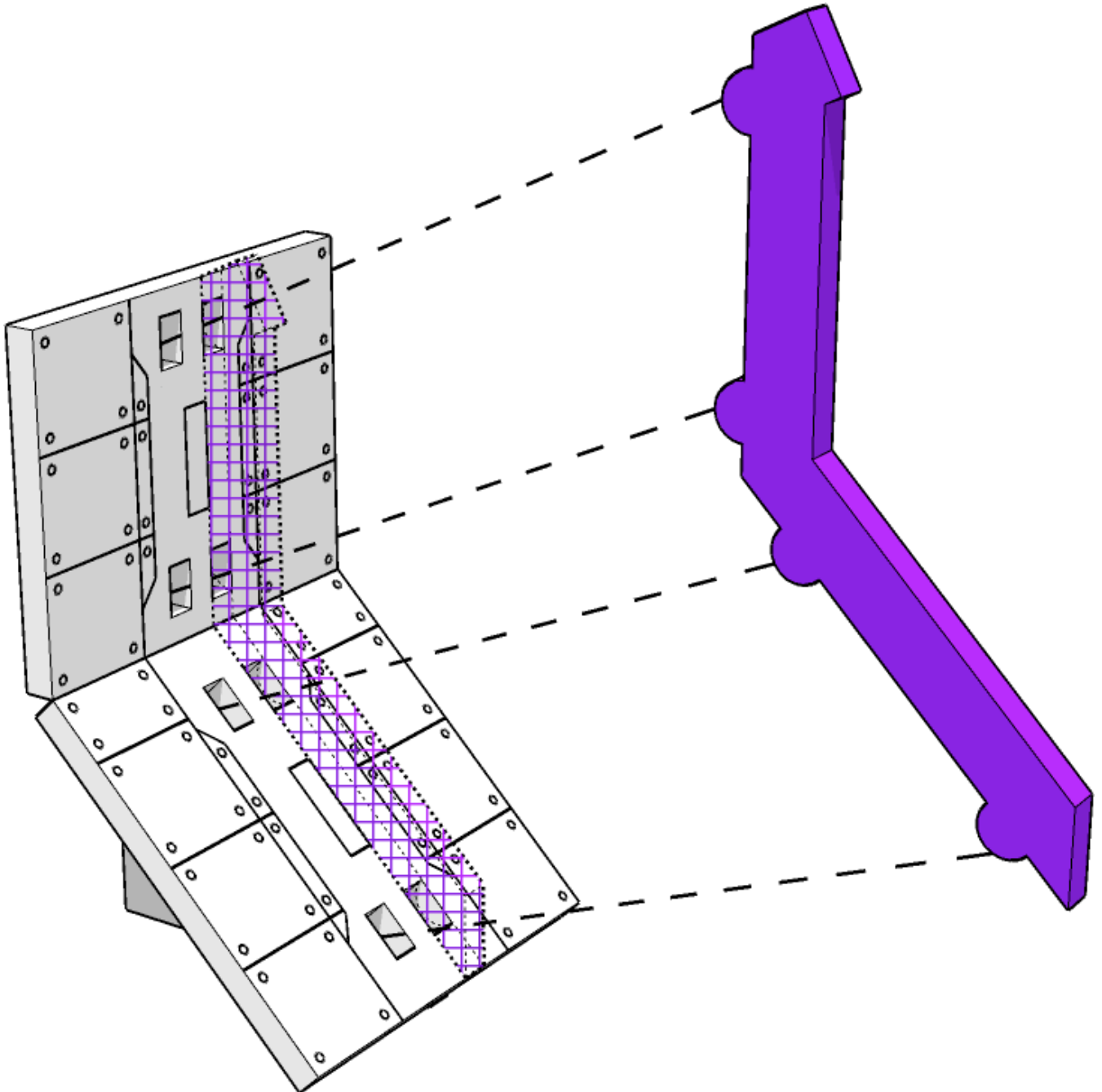




TABLETOP SCENICS

TTSCW-SFU-119
Mod.Co.N
Bulkhead Doors

7

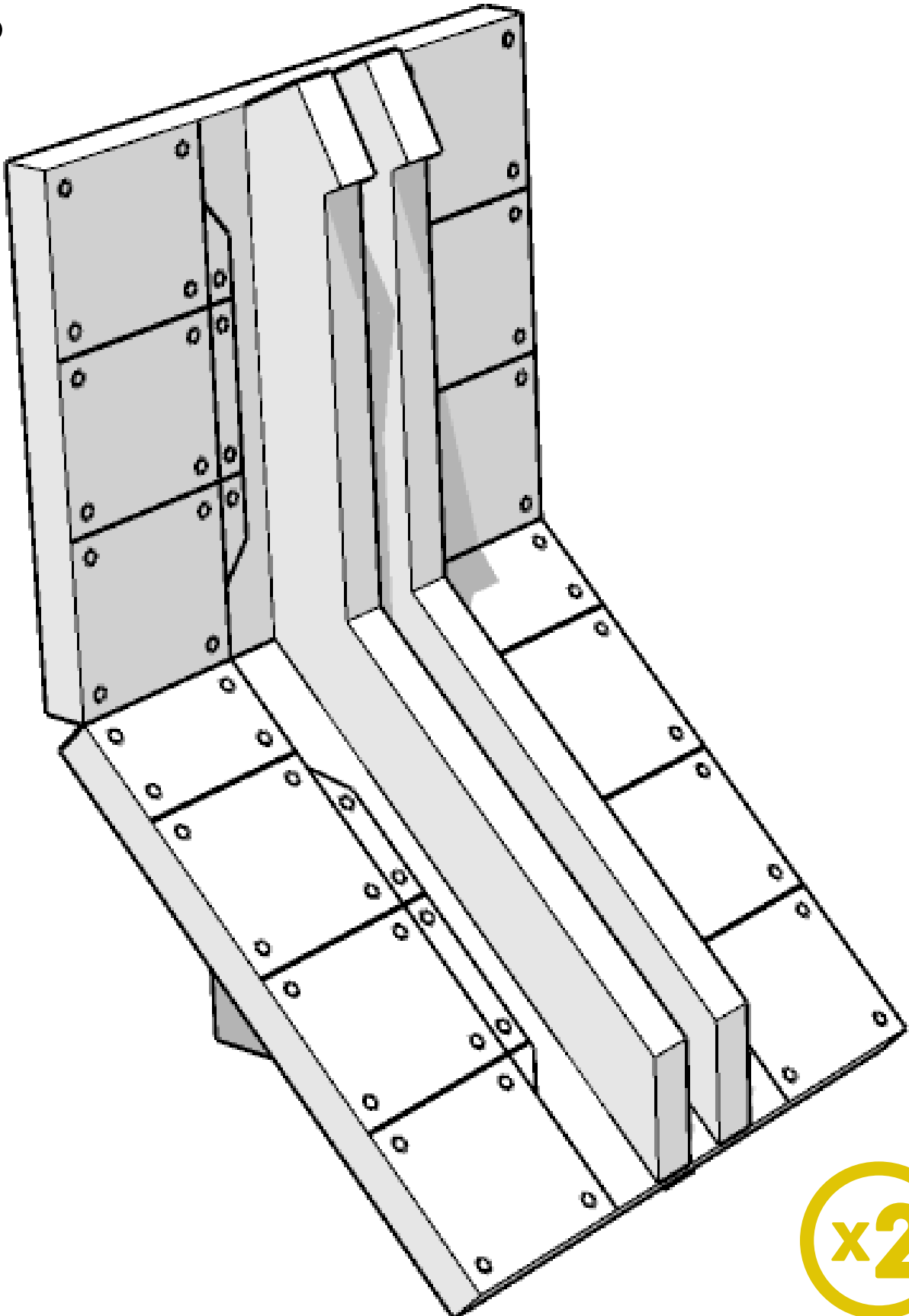




TABLETOP SCENICS

TTSCW-SFU-119
Mod.Co.N
Bulkhead Doors

8



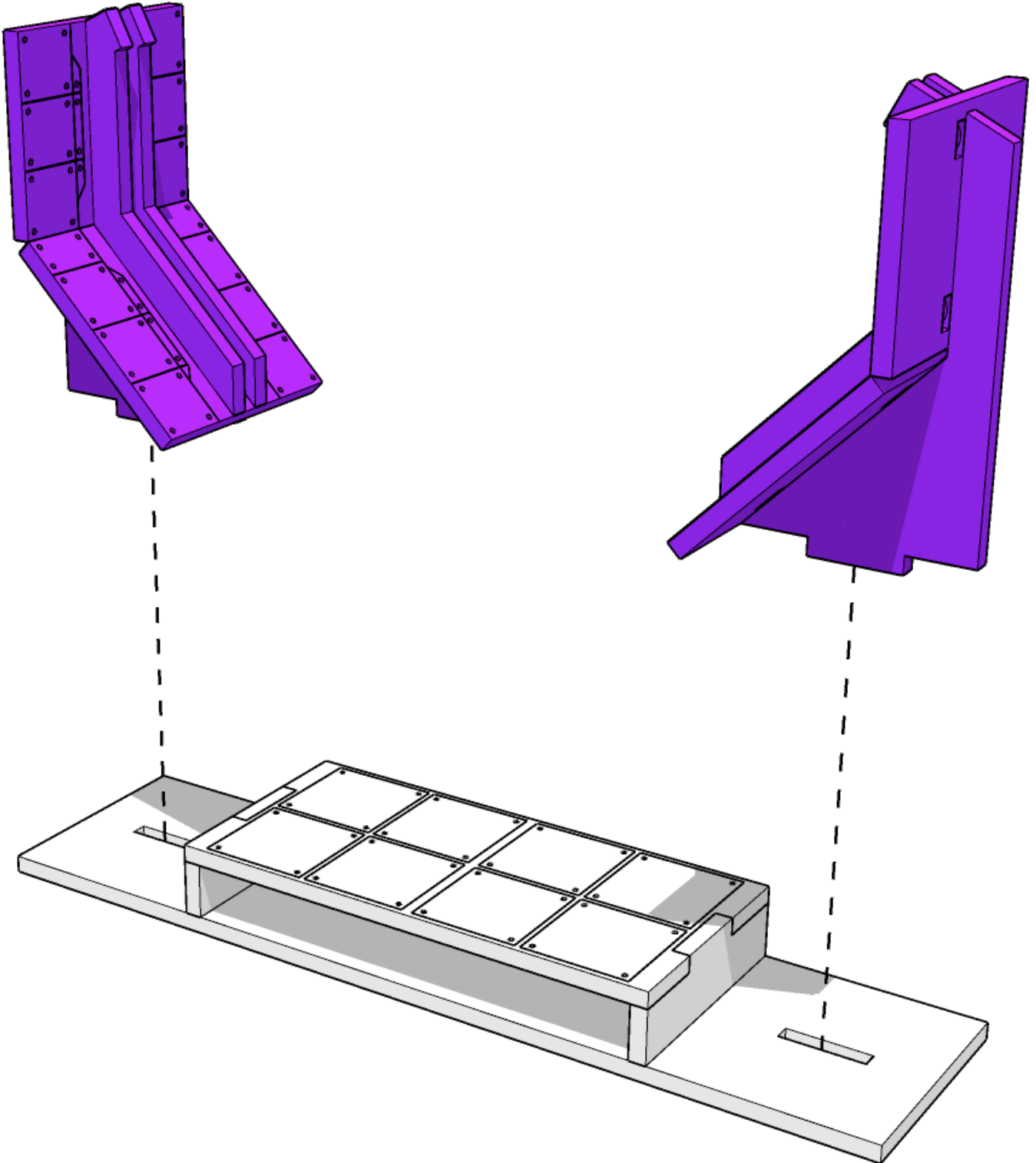
x2



TABLETOP SCENICS

TTSCW-SFU-119
Mod.Co.N
Bulkhead Doors

9

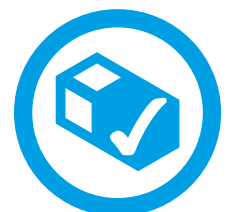
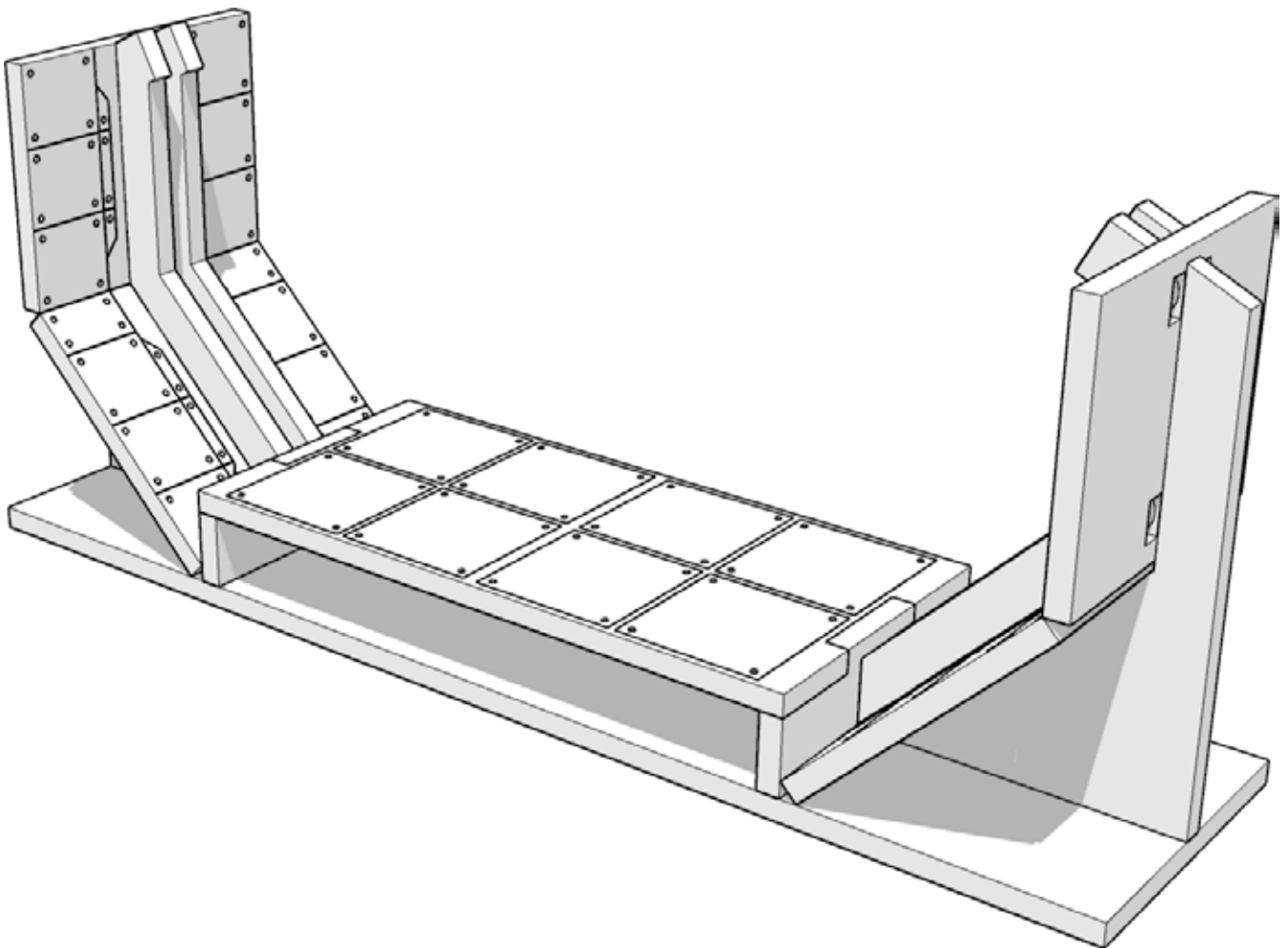




TABLETOP SCENICS

TTSCW-SFU-119
Mod.Co.N
Bulkhead Doors

10

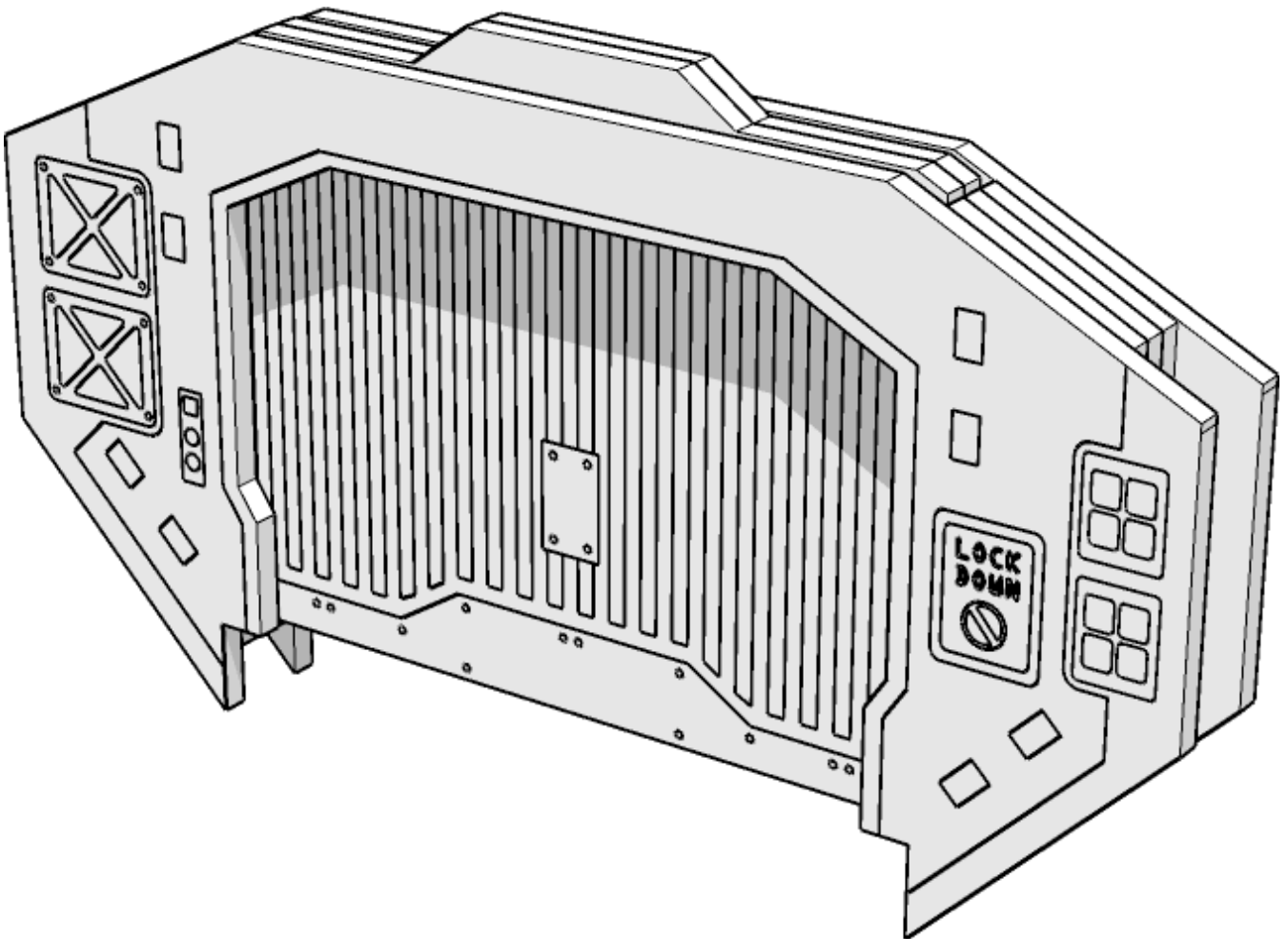




TABLETOP SCENICS

TTSCW-SFU-119
Mod.Co.N
Bulkhead Doors

11



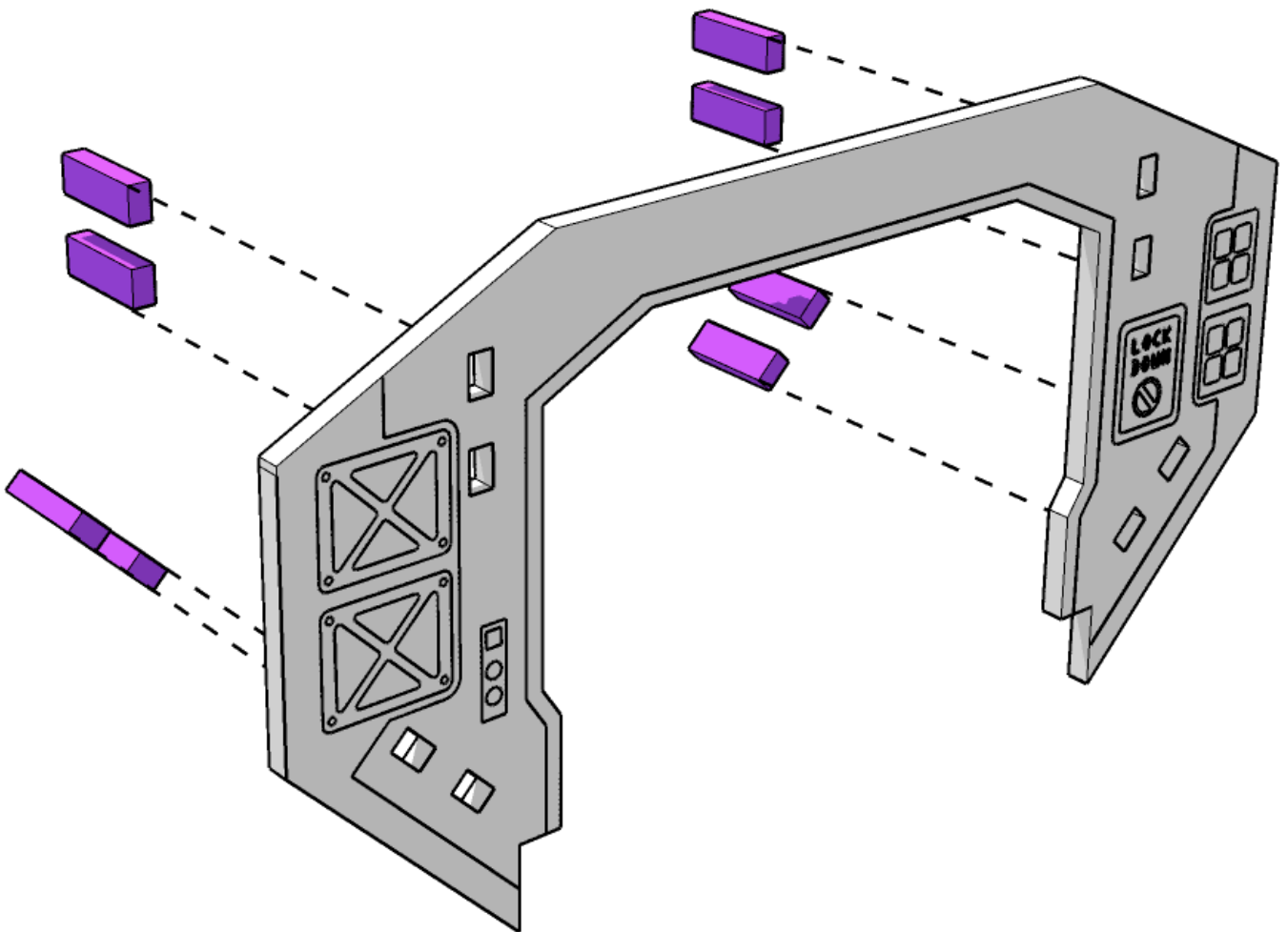
Bulkhead



TABLETOP SCENICS

TTSCW-SFU-119
Mod.Co.N
Bulkhead Doors

12



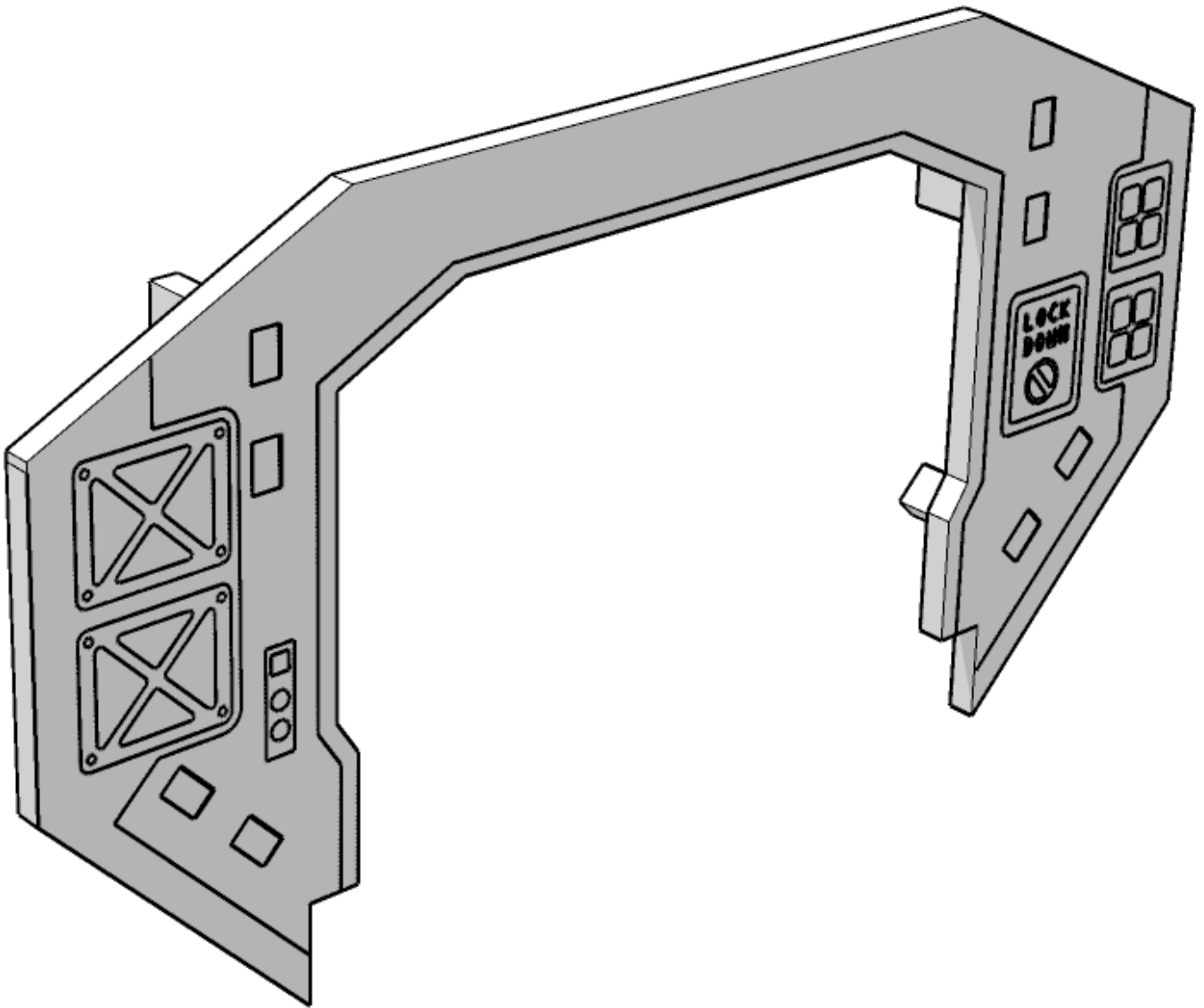
Highlighted parts should sit flush with the detailed panel piece



 **TTCOMBAT**



13

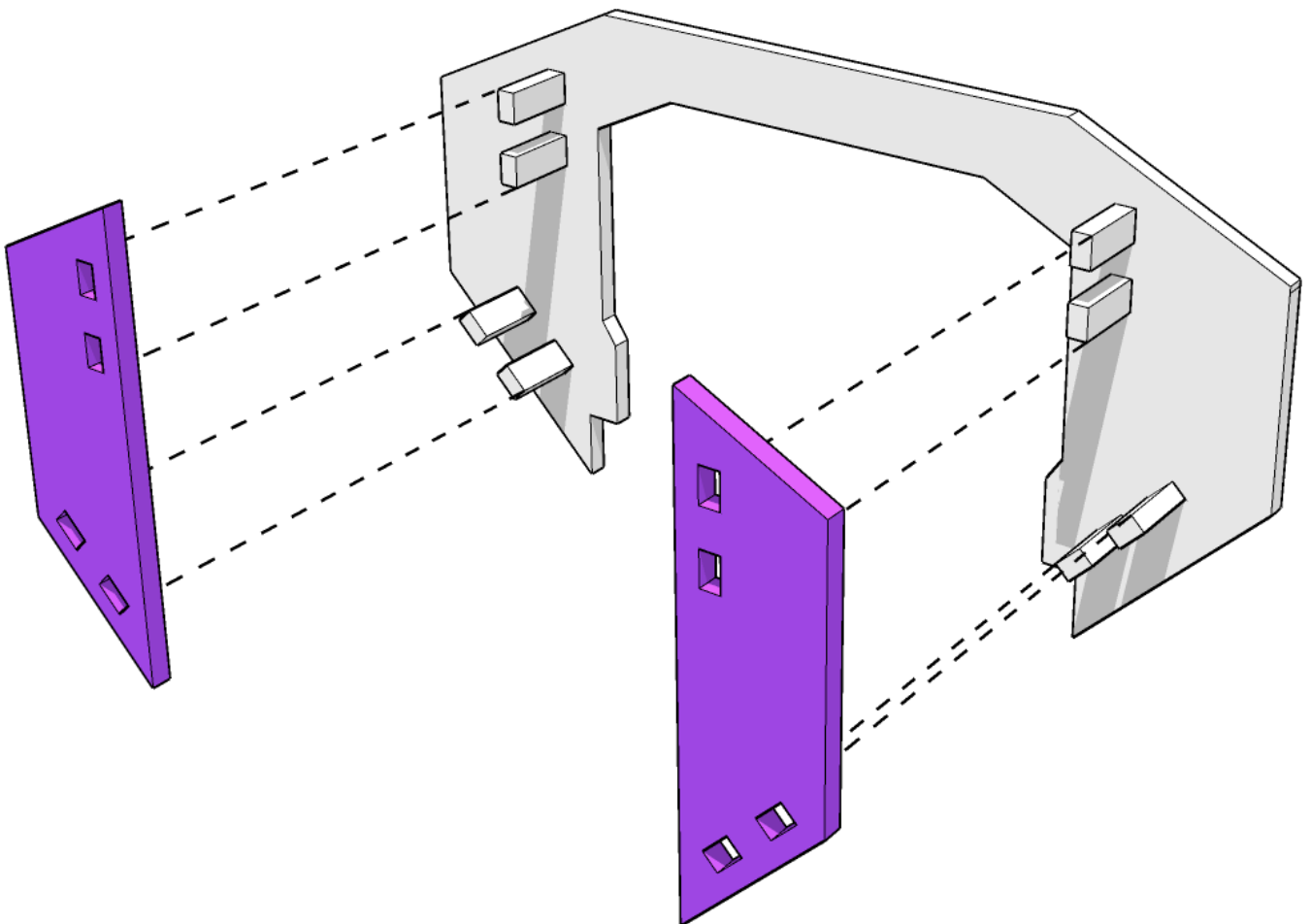




TABLETOP SCENICS

TTSCW-SFU-119
Mod.Co.N
Bulkhead Doors

14

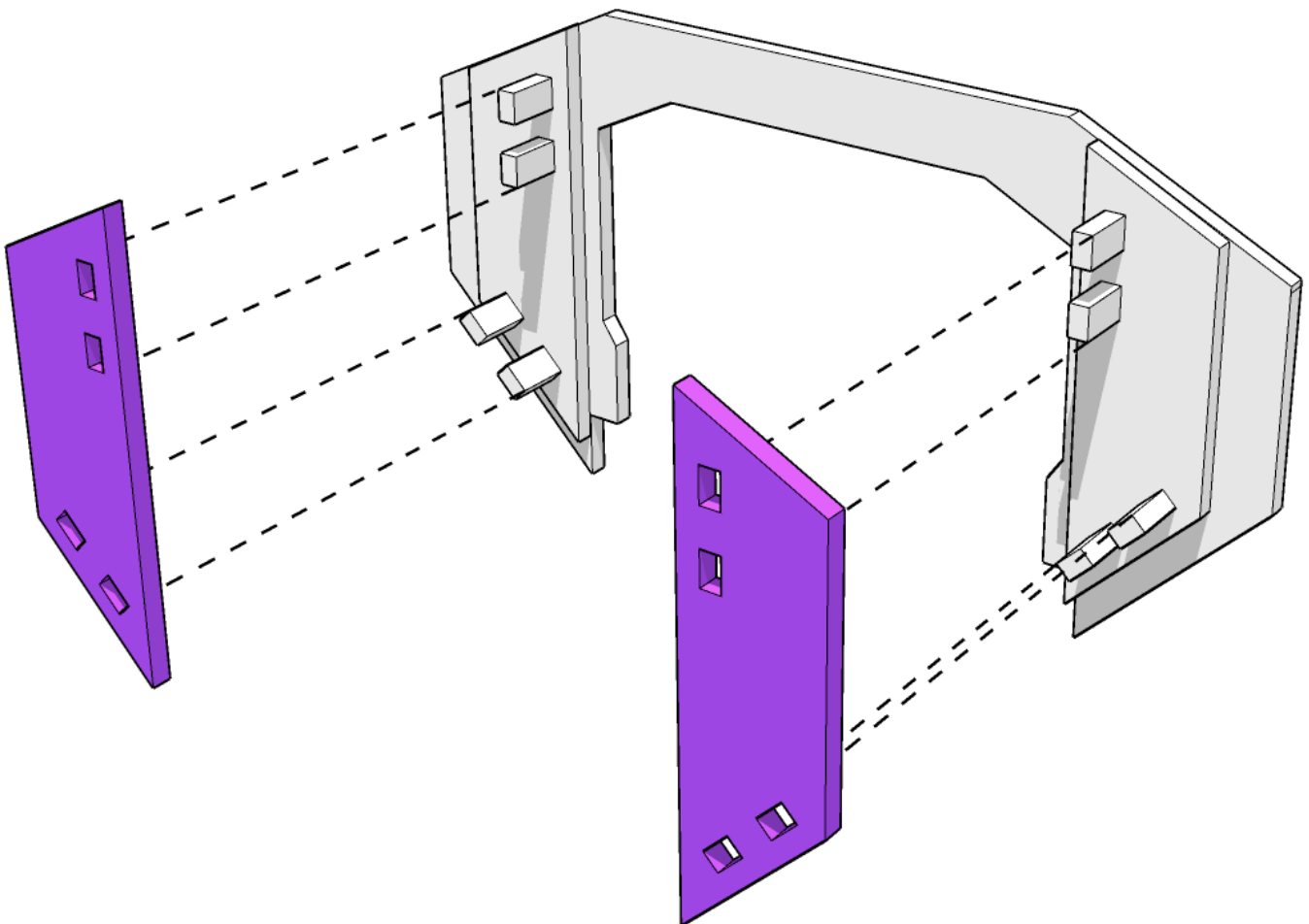




TABLETOP SCENICS

TTSCW-SFU-119
Mod.Co.N
Bulkhead Doors

15

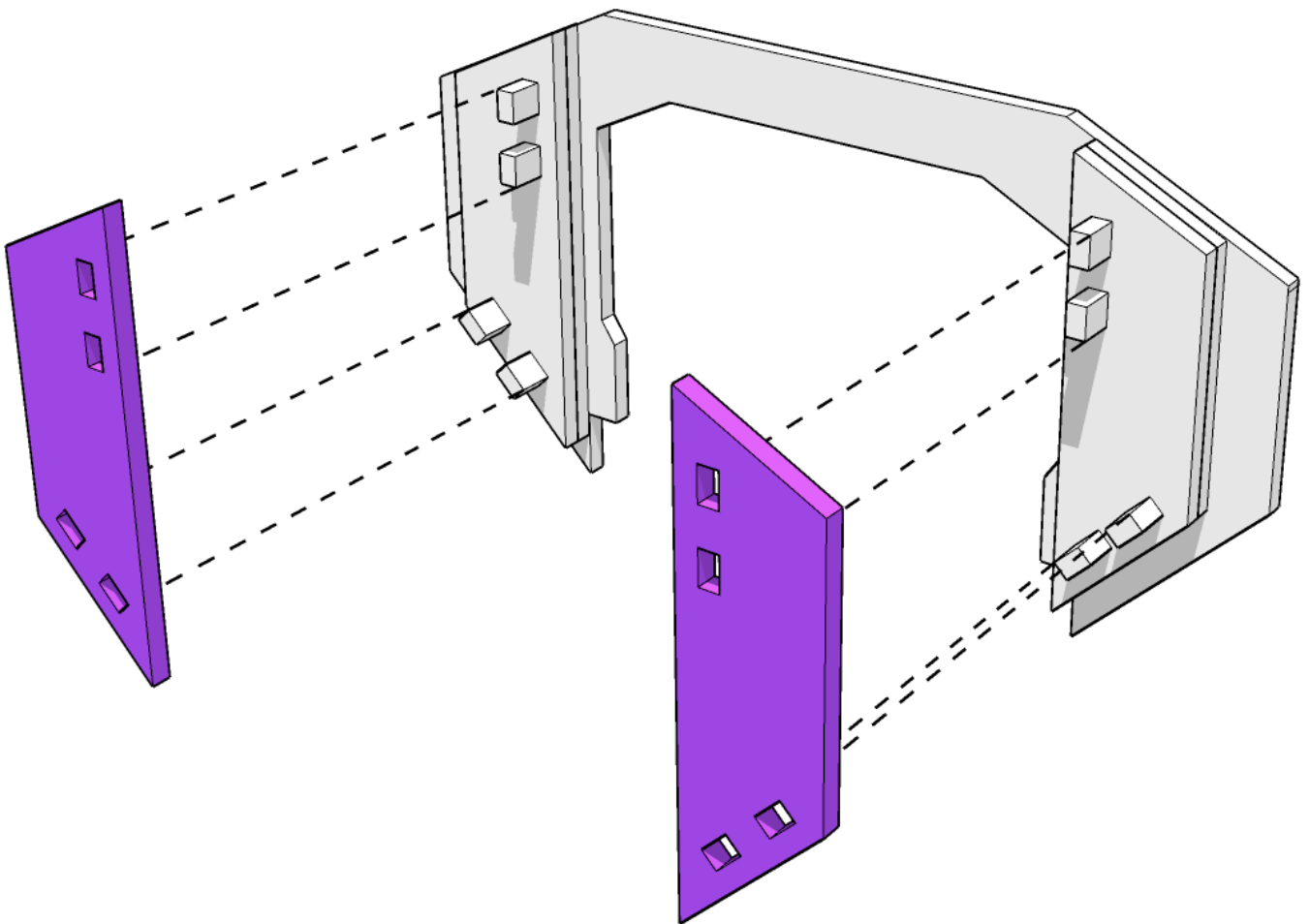




TABLETOP SCENICS

TTSCW-SFU-119
Mod.Co.N
Bulkhead Doors

16

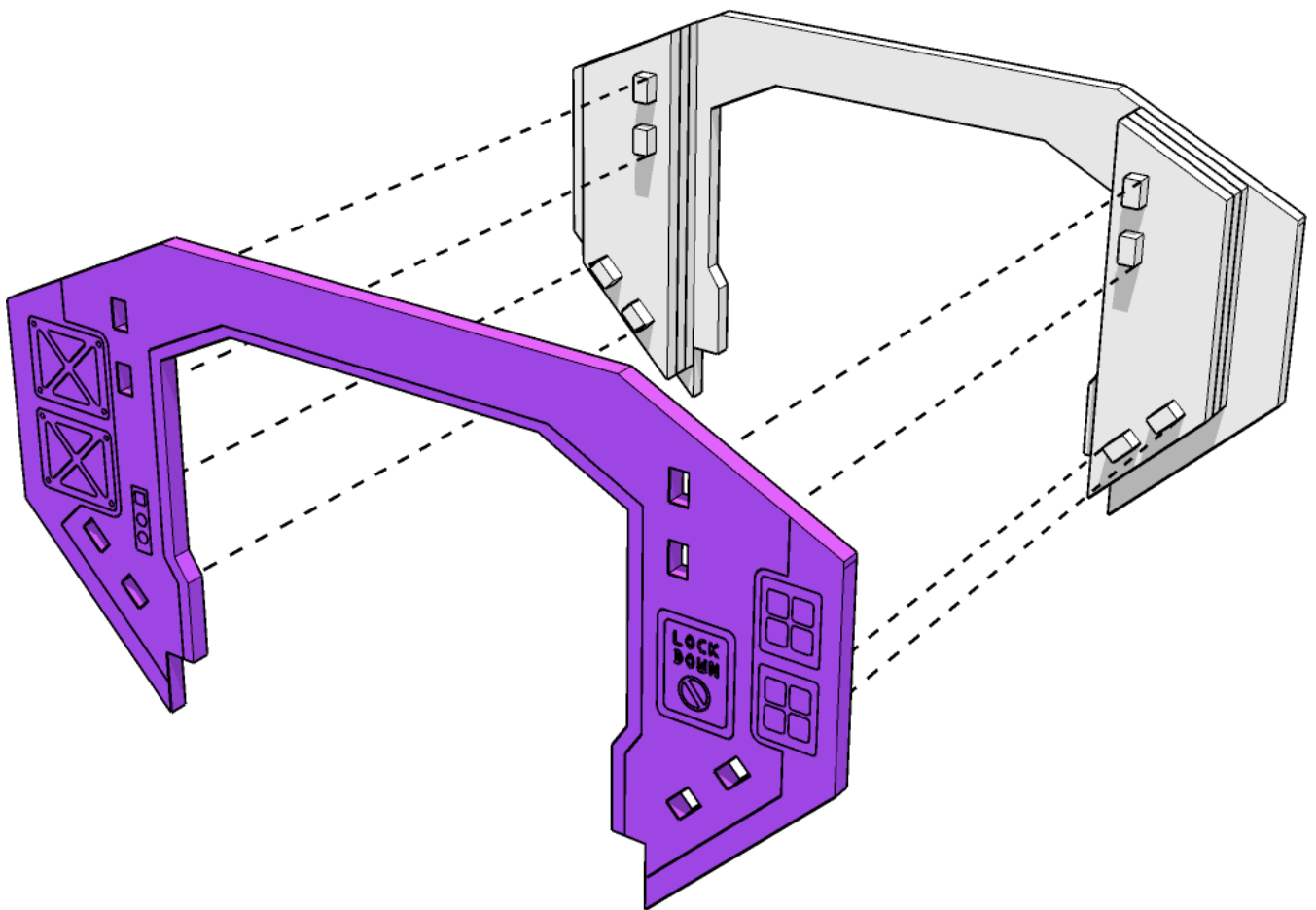




TABLETOP SCENICS

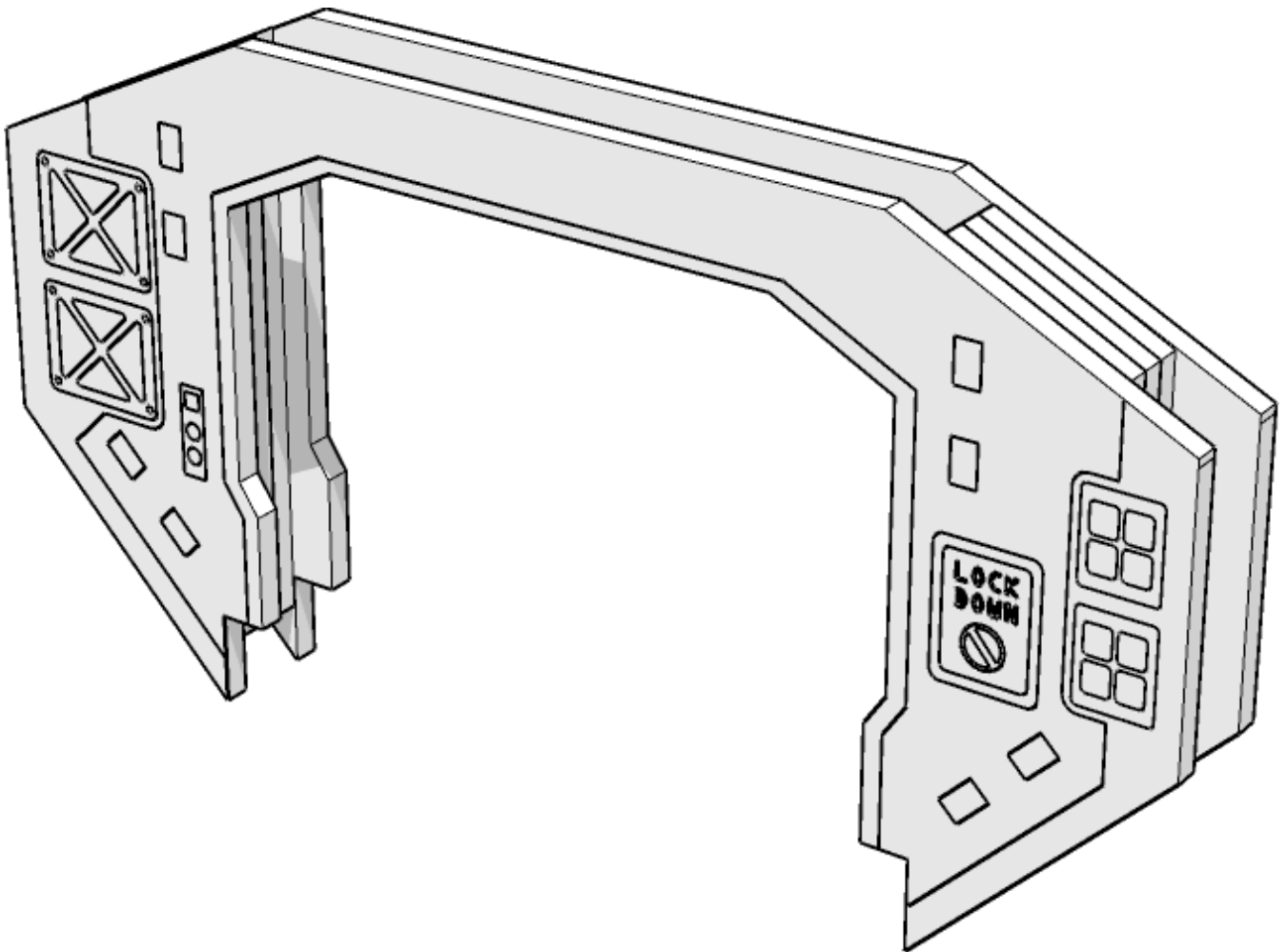
TTSCW-SFU-119
Mod.Co.N
Bulkhead Doors

17





18



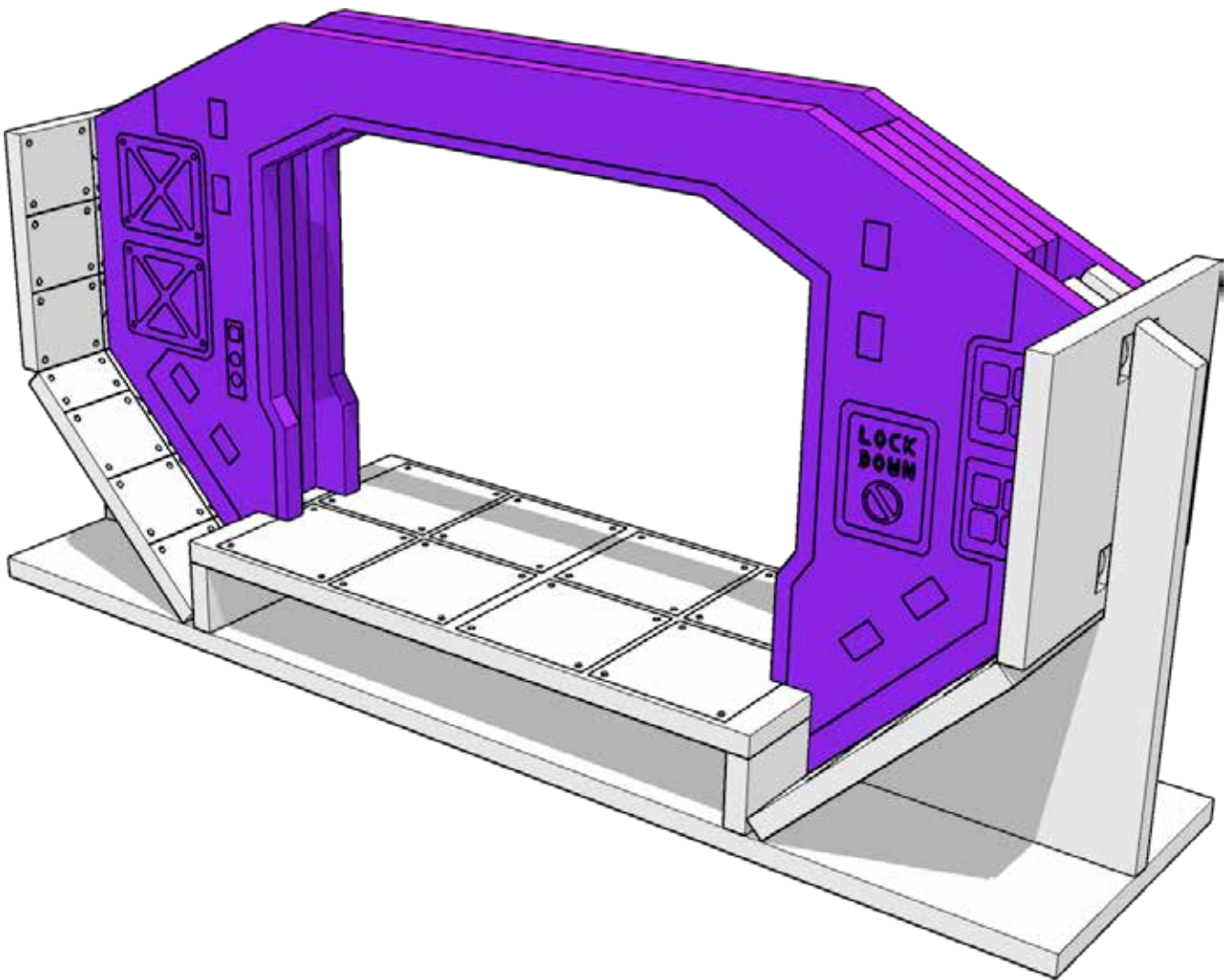
Recommended to place into a straight section and allowed to dry.
As shown in next step



TABLETOP SCENICS

TTSCW-SFU-119
Mod.Co.N
Bulkhead Doors

19



Bulkhead fits into the straight sections as shown above.
DO NOT GLUE INTO PLACE.

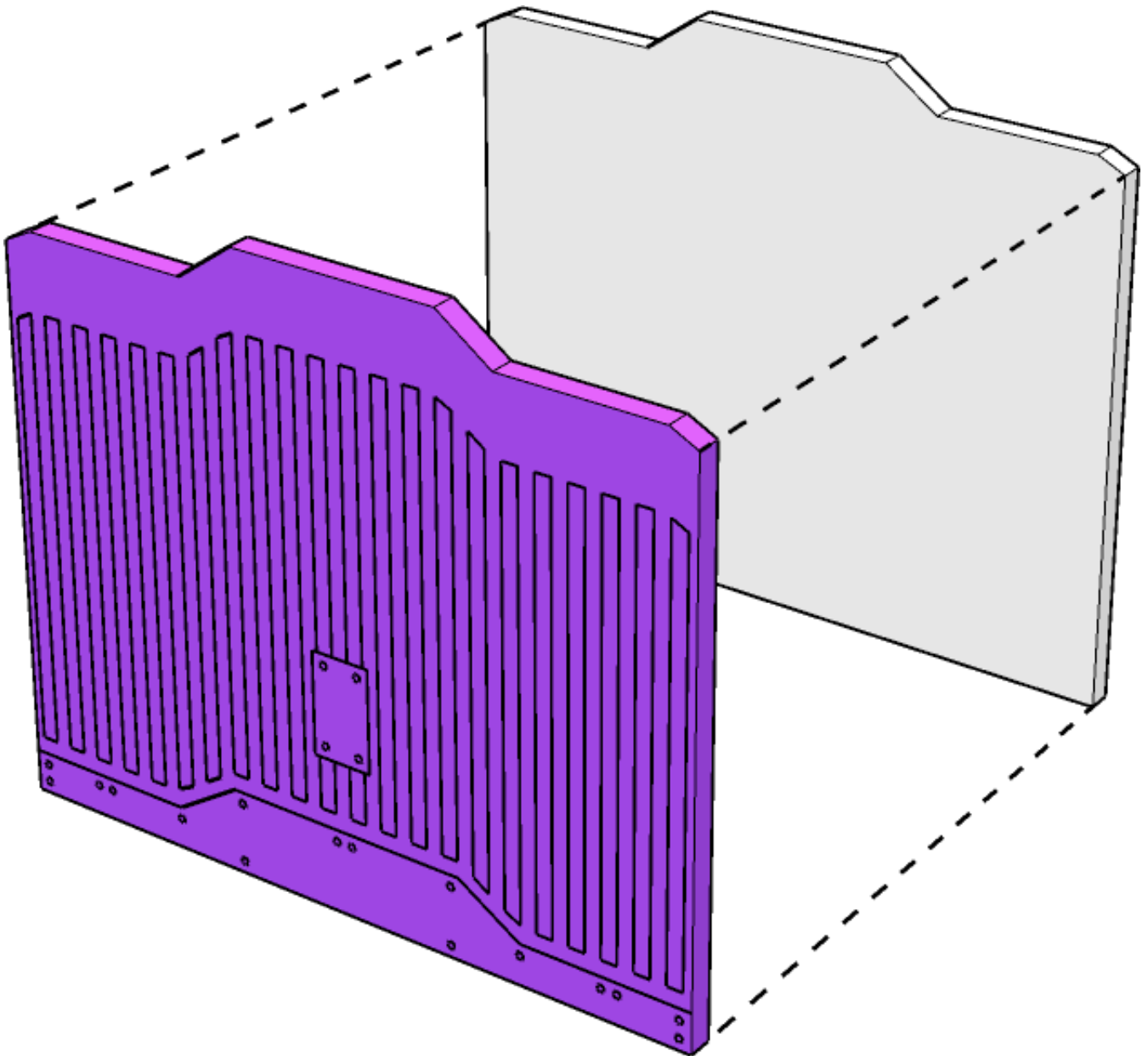




TABLETOP SCENICS

TTSCW-SFU-119
Mod.Co.N
Bulkhead Doors

20

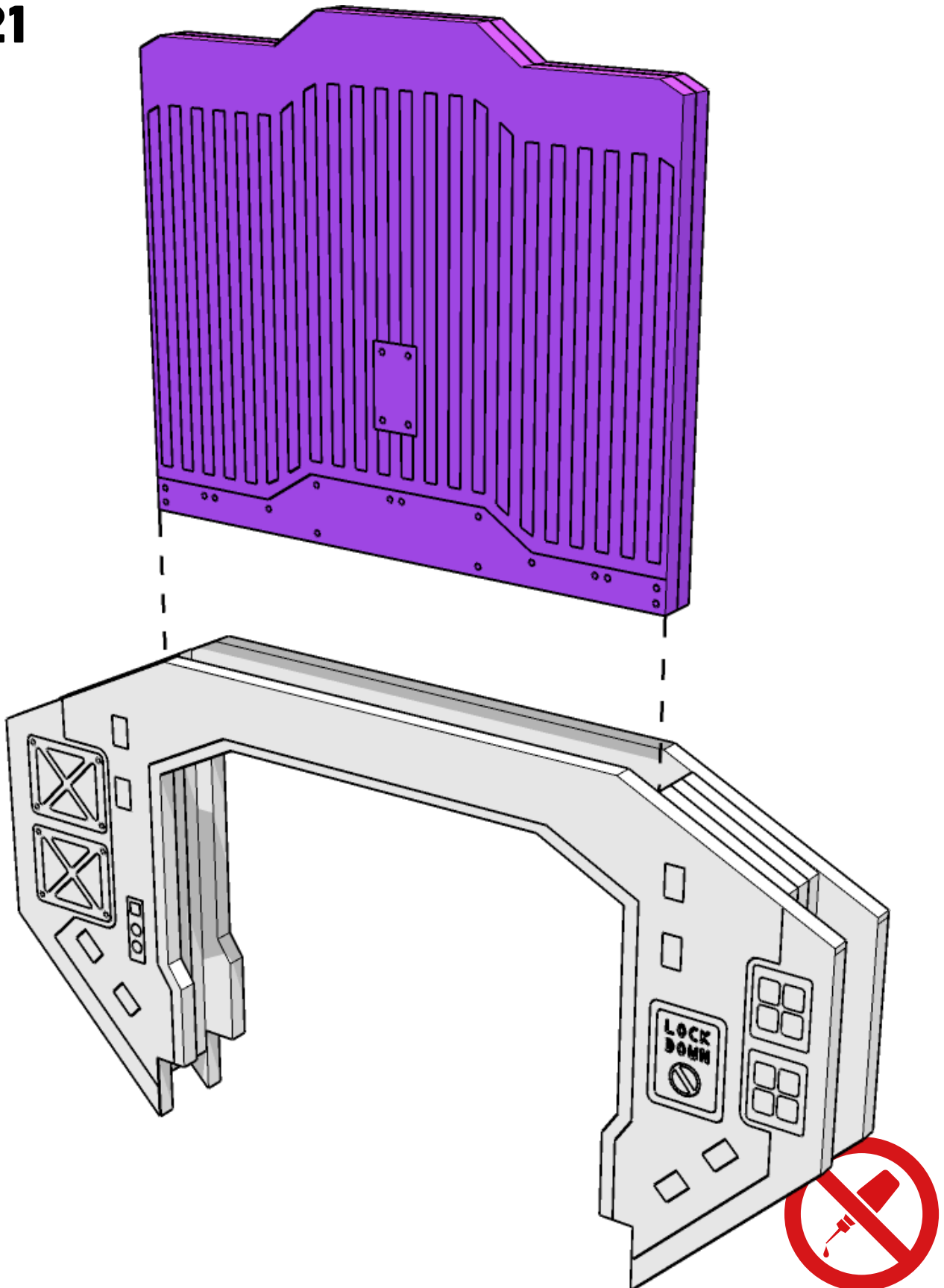




TABLETOP SCENICS

TTSCW-SFU-119
Mod.Co.N
Bulkhead Doors

21



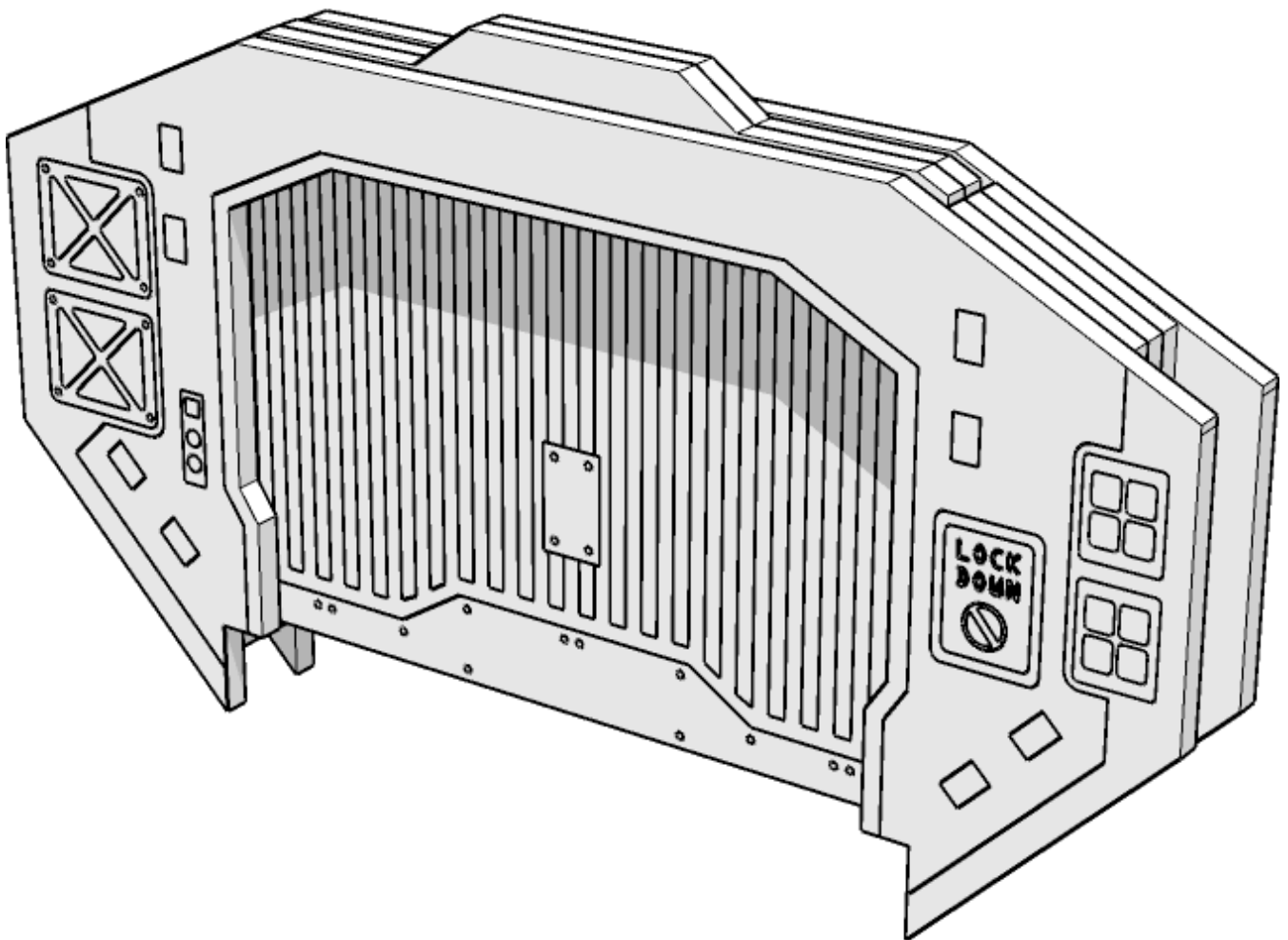
Bulkhead door sits in place when in situ with a straight corridor section.



TABLETOP SCENICS

TTSCW-SFU-119
Mod.Co.N
Bulkhead Doors

22



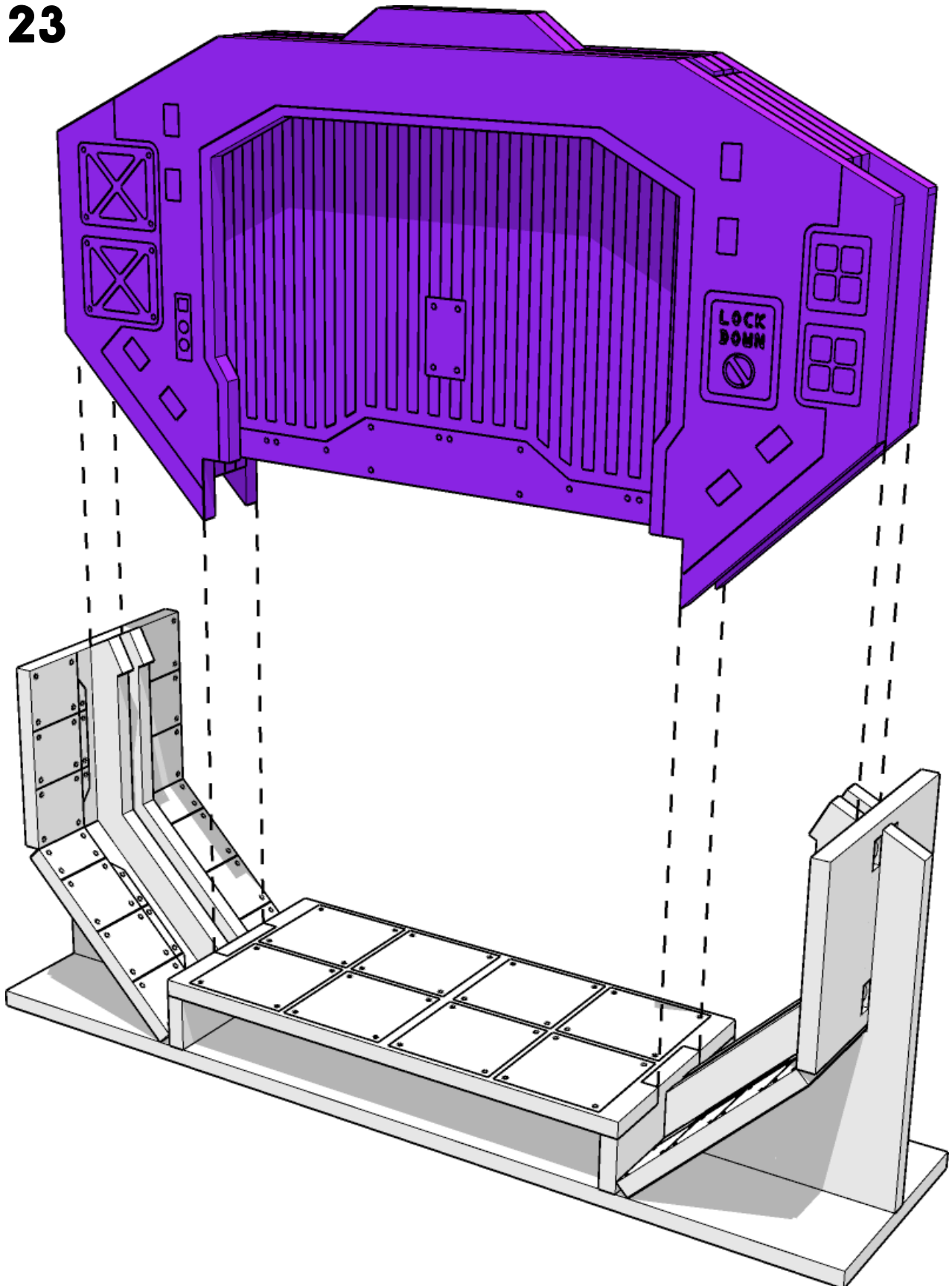
x2



TABLETOP SCENICS

TTSCW-SFU-119
Mod.Co.N
Bulkhead Doors

23





TABLETOP SCENICS

TTSCW-SFU-119
Mod.Co.N
Bulkhead Doors

24

